

# Hisense

life reimagined

## **USER'S OPERATION MANUAL**

Before operating this unit, please read this manual thoroughly, and retain for future reference.

**WD3M841BWI**

EN

English

# CONTENTS

---

## SAFETY INSTRUCTIONS

- Safety Instructions ..... 2

## INSTALLATION

- Product Description ..... 9
- Installation .....10

## OPERATION

- Quick Start .....13
- Before Each Washing .....15
- Detergent Dispenser .....16
- Control Panel ..... 18
- Programmes..... 19
- Option..... 23

## MAINTENANCE

- Cleaning and Care ..... 27
- Trouble Shooting ..... 30
- Technical Specifications ..... 31
- Product Fiche ..... 32
- Built-in installation ..... 36

# SAFETY INSTRUCTIONS

---

## ■ Safety Instructions

Please read the following safety information thoroughly and follow it strictly to minimize the risk of fire or explosion, electric shock and to prevent property damage, personal injury or loss of life. Failing to follow these instructions shall void any warranty.

### **Warning!**

This combination of symbol and signal word indicates a potentially dangerous situation which may result in death or serious injuries unless it's avoided.

### **Caution!**

This combination of symbol and signal word indicates a potentially dangerous situation which may result in slight or minor injuries or damage to property and the environment.

### **Note!**

This combination of symbol and signal word indicates a potentially dangerous situation which may result in slight or minor injuries.

### **Warning!**

## **ELECTRIC SHOCK HAZARD**

- If the supply cord is damaged, it must be replaced by the manufacturer, its service agent or similarly qualified persons in order to avoid a hazard.
- If the machine is damaged, it must not be operated unless repaired by the manufacturer, its service agent or similarly qualified persons.

Risk of electric shock!

# SAFETY INSTRUCTIONS

---

- The appliance can be used by children aged from 8 years and above and persons with reduced physical, sensory or mental capabilities or lack of experience and knowledge if they have been given supervision or instruction concerning use of the appliance in a safe way and understand the hazards involved. Children shall not play with the appliance. Cleaning and user maintenance shall not be made by children without supervision.
- Children should be supervised that they do not play with the appliance.
- Children 3 years and under shall be kept away from the appliance or continuously supervised.
- Animals and children may climb into the machine. Check the machine before every operation.
- Do not climb or sit on the appliance.

## **INSTALLATION LOCATION AND SURROUNDING**

- All washing and additional substances are to be kept in a safe place out of the reach of children.
- Do not install the machine on a carpet floor. The obstruction of the openings by a carpet can damage the machine.
- Keep the appliance clear from heating sources and direct sunlight to avoid plastic and rubber parts to corrode.
- Do not use the appliance in humid environments or rooms containing explosive or caustic gas. In case of water leakage or water splashes let the appliance dry in the open air.
- The appliance must not be installed behind a lockable door, a sliding door or a door with a hinge on the opposite side to that of the washer dryer.

# SAFETY INSTRUCTIONS

---

- Do not operate the machine in rooms with a temperature of below 5°C. This can cause damages to parts of it. If it is unavoidable, make sure to drain the water completely from the appliance after every use (see „Maintenance - Cleaning of drain pump filter“) to avoid damages caused by frost.
- Never use flammable sprays or substances in the immediate proximity of the appliance.

## INSTALLATION

- Remove all packaging material and transport bolts before using the appliance. Otherwise, serious damage may result.
- This appliance is equipped with a single inlet valve and can be connected to the cold water supply only.
- Mains plug must be accessible after installation.
- Before washing clothes for the first time, the product shall be operated once throughout all the procedures without any clothes inside.
- Before using the washer dryer, the product shall be calibrated.
- Do not put any excessively heavy objects on the appliance, like water containers or heating devices.
- The new hose-sets supplied with the appliance are to be used and that old hose-sets should not be reused.
- Max. Inlet water pressure 1 MPa. Min. inlet water pressure 0.05 MPa.

## ELECTRICAL CONNECTION

- Make sure the supply cable is not trapped by the machine, it can get damaged.
- Connect the product to a grounded outlet protected by a fuse complying with the values in the “ Technical specifications“ table. The grounding installation has to be made by a qualified electrician. Ensure that the machine is installed in accordance with the local regulations.

# SAFETY INSTRUCTIONS

---

• Water and electrical connections must be carried out by a qualified technician in accordance with the manufacturer's instructions and local safety regulations.

## **Warning!**

- Don't use multiple plugs or extension cords.
- The appliance must not have an external switching device such as a timer or connected to a circuit that is regularly switched on and off.
- Do not pull the plug out of the mains outlet if there is flammable gas around.
- Never pull out power plug with wet hands.
- Always pull at the plug, not at the cable.
- Always unplug the appliance if it is not being used.

## WATER CONNECTIONS

- Check the connections of the water inlet tubes, the water tap and the outlet hose for possible problems due to changes of water pressure. If the connections loosen or leak close the water tap and get it repaired. Do not use the appliance before the pipes and hoses are installed properly by qualified persons.
- Glass door may become very hot during the operation. Keep children and pets far away from the machine while it is operating.
- The water inlet and outlet hoses have to be safely installed and remain undamaged. Otherwise, water leakage can occur.
- Do not remove the drain pump filter while there is still water in the appliance. Big quantities of water can leak out, and there is a risk of scalding due to hot water.

# SAFETY INSTRUCTIONS

---

## OPERATION AND MAINTENANCE

### **Warning!**

- Never stop the washer dryer before the end of the drying cycle unless all items are quickly removed and spread out so that the heat can dissipate.
- The washer dryer is not to be used if industrial chemicals have been used for cleaning. Risk of explosion.

- Never use any flammable, explosive or toxic solvents. Do not use gasoline and alcohol etc. as detergents. Only select detergents that are suitable for machine washing.
- Make sure that all pockets are emptied. Sharp and rigid items such as coins, brooches, nails, screws, stones etc. may cause serious damages to this machine.
- Remove all objects from pockets such as lighters and matches before use the appliance.
- Thoroughly rinse items that have been washed by hand.
- Do not dry unwashed items in the appliance.
- Items that have been soiled with substances such as cooking oil, acetone, alcohol, petrol, kerosene, spot removers, turpentine, wax and wax removers should be washed in hot with an extra amount of detergent before being dried in the appliance.
- Items containing foam rubber (latex foam), shower caps, water proof textiles, rubber backed articles and clothes or pillows fitted with foam rubber pads should not be dried in the machine
- Fabric softeners or similar products should be used as recommended in their instructions.
- Never try to open the door forcefully. The door will unlock shortly after the end of a cycle.
- Please do not close the door with excessive force. If it is found difficult to close the door, please check if the clothes are properly inserted and distributed.

# SAFETY INSTRUCTIONS

---

- Always unplug the appliance and close the water tap before cleaning and maintenance and after each use.

- Never pour water over the appliance for cleaning purpose.

Risk of electric shock!

- Repairs shall only be carried out by the manufacturer, its service agent or similarly qualified persons in order to avoid a hazard. The producer will not be responsible for damages caused by the intervention of not authorized persons.

## TRANSPORT

- Before Transport:

- Bolts shall be reinstalled to the machine by a specialized person

- Accumulated water shall be drained out of the machine

- This appliance is heavy. Transport with care. Never hold any protruding part of the machine when lifting. The machine door cannot be used as a handle.

## INTENDED USE

The product is intended only for home use and for textiles in household amounts suitable for machine washing and drying. This appliance is for indoor use only and not intended for built in use. Only use according to these instructions. The appliance is not intended for commercial use.

Any other use is considered as improper use. The producer is not responsible for any damage or injuries that may result of it.

- This appliance is intended to be used in household and similar applications such as:

- Staff kitchen areas in shops, offices and other working environments;

- Farm houses;

- By clients in hotels, motels and other residential type environments;

- Bed and breakfast type environments;

- Areas for communal use in blocks of flats or in launderettes.



# SAFETY INSTRUCTIONS

---

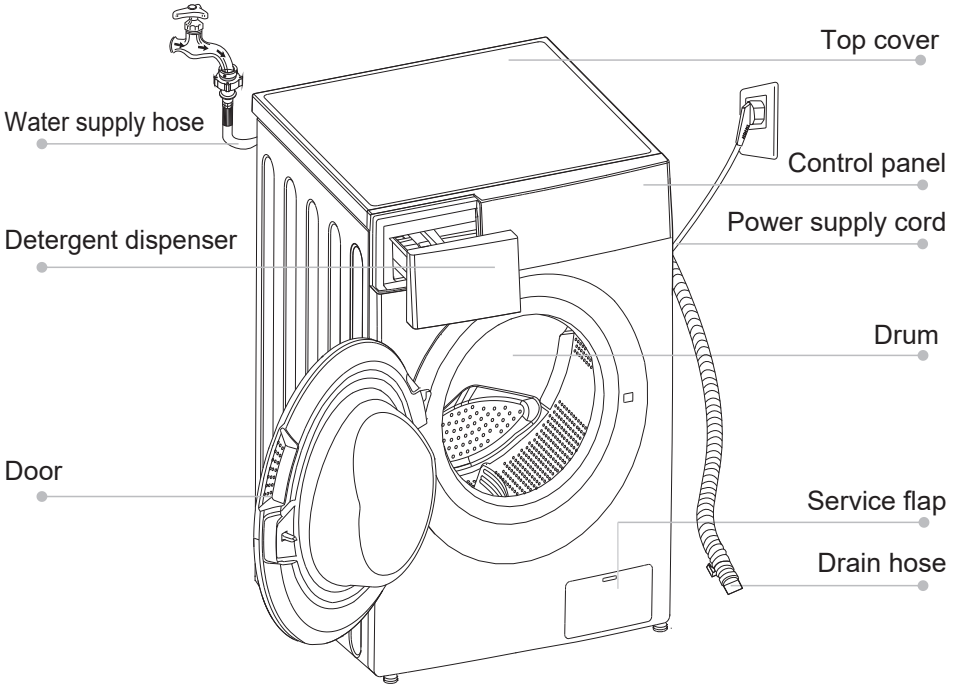
## Packaging/Old appliance



This marking indicates that this product should not be disposed with other household wastes throughout the EU. To prevent possible harm to the environment or human health from uncontrolled waste disposal, recycle it responsibly to promote the sustainable reuse of material resources. To return your used device, please use the collection systems or contact the retailer where the product was purchased. They return and can take this product for environmental safe recycling.

# INSTALLATION

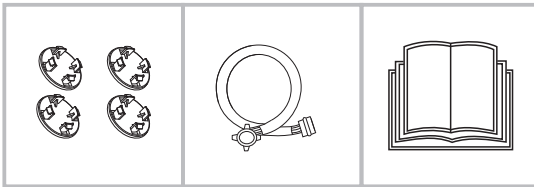
## ■ Product Description



### **Note!**

- The product picture is for illustration only, please refer to real product as reference.

## Accessories



4 x Cover caps

1 x Supply  
hose cold water

1 x Owner's  
manual

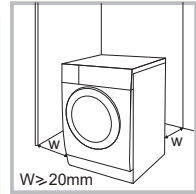
# INSTALLATION

## ■ Installation

### Installation area

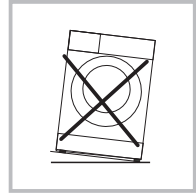
#### ⚠ Warning!

- Stability is important to prevent the product from wandering! Make sure the machine is standing leveled and stable.
- Make sure that the product does not stand onto the power cord.
- Make sure to maintain the minimum distances from the walls as shown in the picture



Before installing the machine, the location characterized as follows shall be selected:

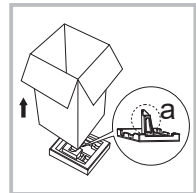
1. Rigid, dry, and level surface
2. Avoid direct sunlight
3. Sufficient ventilation
4. Room temperature is above 0°C
5. Keep far away from the heat sources such as coal or gas burning appliances.



### Unpacking the washer dryer

#### ⚠ Warning!

- Packaging material (e.g. Films, Styrofoam) can be dangerous for children.
- There is a risk of suffocation! Keep all packaging well away from children.



1. Remove the cardboard box and styrofoam packing.
2. Lift the washer dryer and remove the base packaging. Make sure the small triangle foam (a) is removed with the bottom packaging together. If not, lay the unit down on the side surface and remove it manually.
3. Remove the tape securing the power supply cord and drain hose.
4. Remove the inlet hose from the drum.

# INSTALLATION

## Remove transport bolts

### **Warning!**

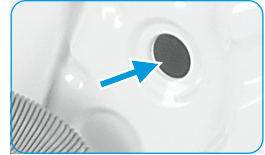
- You must remove the transport bolts from the backside before using the product.



Loosen the 4 transport bolts with a spanner.



Remove the bolts including the rubber parts and keep them for future use.

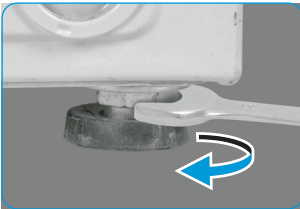


Close the holes using the cover caps.

## Levelling the washer dryer

### **Warning!**

- The lock nuts on all four feet must be screwed tightly against the housing.



1. Loosen the lock nut.
2. Turn the foot until it reaches the floor.
3. Adjust the legs and lock the nuts with a spanner. Make sure the machine is level and steady.

## Connect the water supply hose

### **Warning!**

To prevent leakage or water damage, follow the instructions in this chapter

- Do not kink, crush or modify water inlet hose.



Connect the water supply hose to the water inlet valve and a water tap with cold water as indicated.



### **Note!**

- Connect manually, do not use tools. Check if the connections are tight.

# INSTALLATION

## Drain Hose

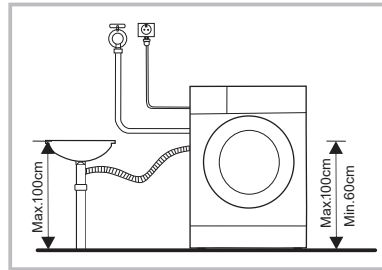
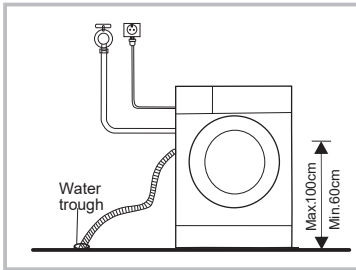
### **Warning!**

- Do not kink or protract the drain hose.
- Position drain hose properly , otherwise damage might result of water leakage.

There are two ways to place the end of drain hose:

1.Put it into the water trough.

2.Connect it to the branch drain pipe of the trough.



# OPERATION

---

## ■ Quick Start

### ⚠ Caution!

- Before washing, please make sure the washer dryer is installed properly.
- Your appliance was thoroughly checked before it left the factory. To remove any residual water and to neutralize potential odors, it's recommended to clean your appliance before first use. For this reason, start the Cotton program at 90°C without laundry and detergent.

### 🔧 Calibration

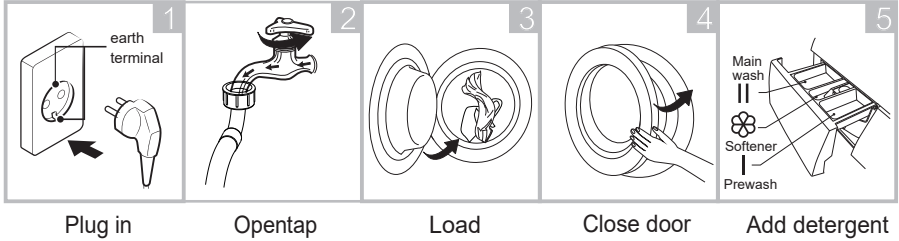
It's recommended to calibrate the washer dryer, so that provide the best performance.

The appliance is able to detect the amount of laundry loaded. This function is optimizing the product performance by minimizing energy and water consumption, saving you money and time. For this reason it's recommended to calibrate the appliance for best use.

- 1 - Remove all accessories from the drum and close the door;
- 2 - Insert the mains plug to the socket;
- 3 - Switch on the washer dryer and press "Spin" and "Delay" simultaneously for 10 seconds until "t19" is displayed;
- 4 - Press [ ▷|| ] to start the appliance and wait till "\*\*\*\*" is displayed.

# OPERATION

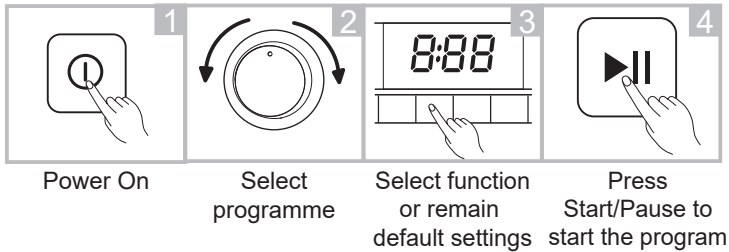
## 1. Before Washing



### Note!

- Detergent need to be added in compartment I if the pre-wash function is selected.

## 2. Washing



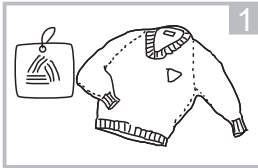
## 3. After Washing

Buzzer beep and “End” on display.

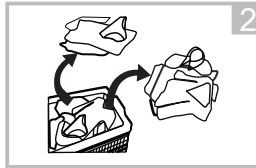
# OPERATION

## ■ Before Each Washing

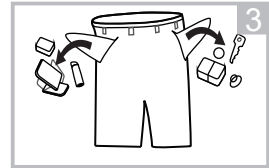
- The ambient temperature of the washer dryer should be 5–40°C. If used under 0°C, the inlet valve and draining system may be damaged. If the machine is installed under freezing conditions, it should be transferred to normal ambient temperature to ensure the water supply hose and drain hose can unfreeze before use.
- Please check your laundry care labels and the detergent use instructions before wash. Use non-foaming or less-foaming detergent suitable for machine washing properly.



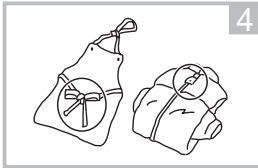
Check the care label



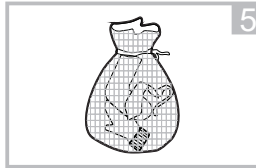
Sort laundry according to color and textile type



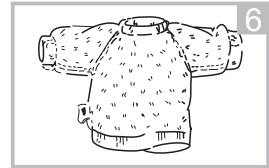
Take all items out of the pockets



Tie together long textile strips and belts, close zips and button



Put small items into a laundry bag



Turn easy-pilling and long-pile fabric inside out

### ⚠ Warning!

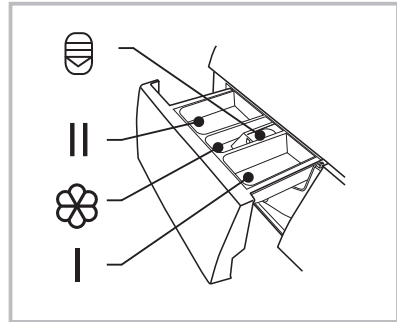
- Do not wash or dry articles that have been cleaned in, washed in, soaked in, or dabbed with combustible or explosive substances like wax, oil, paint, gasoline, alcohol, kerosene, and other flammable materials.
- Washing single clothes items may easily create big eccentricity and cause alarm due to unbalance. Therefore it is suggested to add one or two more laundry items to the wash so that spin can be done smoothly.



# OPERATION

## ■ Detergent Dispenser

- I Pre wash
- II Main wash
- ☼ Softener
- ☹ Release button to pull out the dispenser



### ⚠ Caution!

- Detergent only need to be added in "compartment I "after selecting pre-wash function.

Programme	I	II	☼	Programme	I	II	☼
Cotton		●	○	Dry Only			
Wash&Dry 60'		●	○	Spin			
Jeans		●	○	Quick 15'		●	○
Mix		●	○	Sportswear		●	○
Wool		●	○	Baby Care		●	○
Rinse+Spin			○	Wash and Dry		●	○
Eco 40-60		●	○	Intensive		●	○
20°C		●	○				

# OPERATION

## Detergent Recommendation

Recommended washing detergent	Wash cycles	Washing temp.	Type of laundry and textile
Heavy-duty detergent with bleaching agents and optical brighteners	Cotton, Eco 40-60, Intensive	40/60	White laundry made from boil-proof cotton or linen
Colour detergent without bleaching agent and optical brighteners	Intensive, Cotton, Eco 40-60, Mix, 20°C	20/30/40	Coloured laundry made from cotton or linen
Color or mild detergent without optical brighteners	20°C	Cold/20	Coloured laundry made from easy care fibres or synthetic materials
Mild washing detergent	20°C	Cold/20	Delicate textiles, silk, viscose
Special wool detergent	Wool	20/30/40	Wool

### Note!

- Agglomerating or ropy detergent or additive can be diluted in some water before pouring it into the detergent dispenser, to avoid its inlet to get blocked and thus cause a water overflow.
- Please choose the suitable type of detergent to get a maximum of washing performance and a minimum of water and energy consumption.
- To achieve the best cleaning result a proper detergent dosing is important.
- Use a reduced detergent amount if the drum is not filled completely.
- Always adjust the amount of detergent to the water hardness, if your tap water is soft, use less detergent.
- Dose according to how dirty your laundry is, less dirty clothes require less detergent.
- Highly concentrated (compact detergent) requires particularly accurate dosing.

Following symptoms are a sign of detergent overdosing:

- heavy foam formation
- poor washing and rinsing result

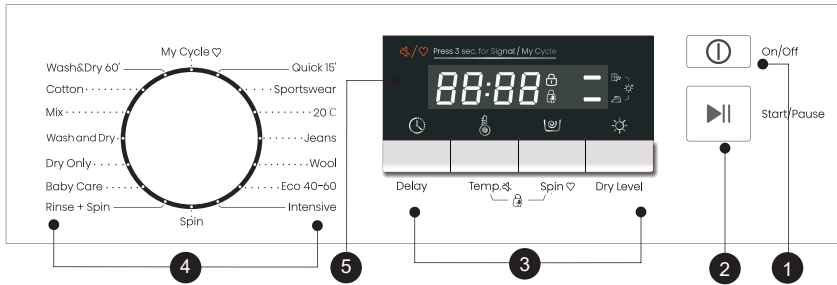
Following symptoms are a sign of detergent underdosing:

- laundry turns grey
- built-up of limescale deposits on the drum, the heating element and/or the laundry

# OPERATION

## ■ Control Panel

Model: WD3M841BWI



### 1 On/Off

Turn the appliance on and off.

### 2 Start/Pause

Start or pause your programme.

### 3 Option

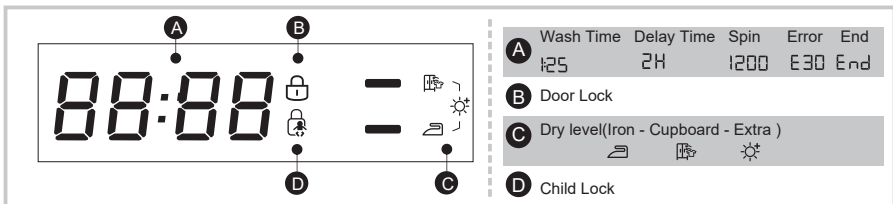
This allows you to select additional functions and will light

### 4 Programmes

Available according to the laundry type.

### 5 Display

The display shows settings, estimated remaining time, options and status messages.



# OPERATION

## ■ Programmes

Model: WD3M841BWI

Programme	Washing/Drying Load (kg)	Display Time(H)
	8.0	8.0
		14:00
Quick 15'	2.0	0:15
Sportswear	4.0	1:11
20°C	4.0	1:01
Jeans	8.0	1:45
Wool	2.0	1:07
Eco 40-60	8.0	3:35
Intensive	8.0	3:48
Spin	8.0	0:12
Rinse+Spin	8.0	0:20
Baby Care	8.0	1:43
☼ Dry Only	6.0	4:14
☼ Wash and Dry	6.0	5:00
☼ Mix	8.0/6.0	1:20
☼ Cotton	8.0/6.0	3:49
☼ Wash&Dry 60'	1.0/1.0	0:58



### Note!

- The parameters in this table are only for user's reference. The actual parameters maybe different with the parameters in above mentioned table.
- The programme with ☼ can be chosen dry function.

# OPERATION

## ■ Programmes

WD3M841BWI							
Cycle	Nominal capacity in kg	Temperature setting °C	Cycle duration in hours and minutes	Energy consumption in kWh/operalling cycle	Water consumption in liter/operalling cycle	Highest temperature °C <sup>(1)</sup>	Residual moisture in % /spin speed in rpm <sup>(2)</sup>
Quick 15'	2.0	cold	0:15	0.030	40.0	cold	70%/800
20°C	4.0	20	1:01	0.183	44.0	20	65%/1000
Intensive	8.0	40	3:48	1.013	71.0	40	70%/800
Mix	8.0	40	1:20	0.754	71.0	40	70%/800
Cotton	8.0	60	3:54	1.515	71.0	60	53%/1400
Eco 40-60 <sup>(3)</sup>	8.0	-	3:38	0.871	64.0	38	53%/1400
	4.0	-	2:48	0.530	46.3	38	53%/1400
	2.0	-	2:48	0.205	33.4	21	53%/1400
Wash and Dry	6.0	-	9:30	4.400	108.4	39	0%/1400
	3.0	-	6:40	2.400	63.5	27	0%/1400

- The above data is for reference only, and the data may change due to different actual use conditions.
- The valves given for programmes other than the Eco 40-60 programme and the Wash and Dry cycle are indicative only.
- Concerning to EN 60456:2016 With (EU)No.1061/2010,  
The EU energy efficiency class is: A  
Energy test program: Intensive;Speed:The highest speed;  
Temp.: 60/40°C;Other as the default.  
Half load for 8.0kg machine:4.0kg.
- Concerning to EN 60456:2016/prA2019 With (EU)2019/2014,  
(EU)2019/2023,  
The EU Wash energy efficiency class is B, Energy test program: Eco 40-60;  
The EU Wash and dry energy efficiency class is E,Energy test program:  
Wash and Dry; Extra Dry. Other as the default. Half load for 8.0kg  
machine:4.0kg.  
Quarter load for 8.0kg machine:2.0kg.

# OPERATION

---

- 1) The highest temperature reached by the laundry in the wash cycle for at least 5 minutes.
- 2) Residual moisture after the wash cycle in water content percent and the spin speed at which this was achieved.
- 3) The Eco 40-60 programme is able to clean normally soiled cotton laundry declared to be washable at 40°C or 60°C, together in the same cycle. This programme is used to assess the compliance with the regulation (EU) 2019/2023.
- 4) The Wash and Dry programme, dry level setting ☼ Extra Dry is able to clean normally soiled cotton laundry declared to be washable at 40°C or 60°C, together in the same cycle, and to dry it in such a way that it can be immediately stored in a cupboard. This programme is used to assess the compliance with the regulation (EU) 2019/2023.

The most efficient programmes in terms of energy consumption are generally those that perform at lower temperatures and longer duration.

Loading the household washer-dryer up to the capacity indicated for the respective programmes will contribute to energy and water savings.

Noise and remaining moisture content are influenced by the spinning speed: the higher the spinning speed in the spinning phase, the higher the noise and the lower the remaining moisture content.

## **Caution!**

- If there is any break in the power supply while the machine is operating, a special memory stores the selected programme. The machine will continue the programme when the power supply is re-established.

# OPERATION

---

## ■ Programmes

Programmes are available according to the laundry type.

### Programmes

Cotton	Hard-wearing textiles, heat-resistant textiles made of cotton or linen.
Baby Care	Washing the baby's clothes, it can make the baby's wear cleaner. and make the rinse performance better to protect the baby skin.
Jeans	Specially for jeans.
Mix	Mixed load consisting of textiles made of cotton and synthetics.
Sportswear	Washing the activewear.
Quick 15'	Extra short programme approx, suitable for lightly soiled washing as a small amounts of laundry.
Wool	Hand or machine - washable wool or richwool textiles. Especially gentle wash programme to prevent shrinkage, longer programme pauses (textiles rest in wash liquor).
Spin	Extra spin with selectable spin speed.
Rinse+Spin	Extra rinse with spin.
Dry Only	Select it to dry clothes, the temperature is different .The drying time according to the load .
Wash&Dry 60'	For small synthetic clothes or shirts, load limitation is 1 kg (about 4 shirts). When you have an urgent appointment but no more clean shirt left in your cupboard, this program will help you. Time duration is only 1 hour including wash and dry. Remark: Big towels or jeans is not suitable for this program, they will enlarge the time duration and affect the moisture content.
Eco 40-60	Washing brightly colored clothes, it can protect the colors better. Default 40°C, not selectable, suitable for laundry washing at about 40°C - 60°C.
Intensive	To increase the washing effects, washing time is increased.
20°C	20°C default, can choose cold water.
Wash and Dry	The standard energy program.

---

# OPERATION

## ■ Option

Cycle	Default Temp.(°C)	Default spin speed in rpm	Additional functions
1400			
Quick 15'	Cold	800	Delay
Sportswear	40	800	Delay
20°C	20	1000	Delay
Jeans	60	1000	Delay
Wool	40	600	Delay
Eco 40-60	--	1400	Delay
Intensive	40	800	Delay
Spin	--	1000	Delay
Rinse+Spin	--	1000	Delay
Baby care	60	800	Delay
Dry Only	--	1400	Delay, ☼
Wash and Dry	--	1400	Delay, ☼
Mix	40	800	Delay, ☼
Cotton	40	1400	Delay, ☼
Wash&Dry 60'	Cold	1400	Delay, ☼

### Note!

- For the maximum spin speed, program time, and other details of the Eco 40-60 and Wash and Dry programs, please refer to the content on the Product Fiche page.
- The table shows which cycle offers which options for adjustment. If an adjustment is not possible for a cycle.



# OPERATION

---

Delay

## Delay

Set the Delay function:

1. Select a programme
2. Press the Delay button to choose the time(the delaying time is 0-24 H.)
3. Press [Start/Pause] to commence the delay operation



Cancel the Delay function:

Press the [Delay] button until the display be 0H.It should be pressed before starting the programme. If the programme already started, should press the [On/Off] button to reset the programme.

---



## My Cycle

Memory the frequently used programmes

Press [ ♥ ]3sec. to memory the running programme. The default is cotton.

---



## Child Lock

To avoid mis operation by children.



On/Off

Start/Pause

Press [Temp.] and  
[Spin] 3 sec. till  
buzzer beep.

## ⚠ Caution!

- Press the two button 3sec. also to be released the function.
- The “Child Lock” will lock all buttons except [On/Off].
- Cut off the power supply , the kid’s protection is to be released.
- The child lock will remain effective when the power is resumed for some models.

# OPERATION

---

Spin

## Spin Speed

When needed, the spinning speed can be adjusted pressing the Spin button in the following steps: 1400 : 0-400-600-800-1000-1200-1400

### ⚠ Caution!

- When the lights of Spin are off means the spin speed is 0.

Temp.

## Temp.

Press the button to regulate the temperature (Cold, 20°C, 30°C, 40°C, 60°C, 90°C)



## Mute the buzzer



On/Off  
buzzer

Start/Pause

Press the [Temp.] button for 3sec.  
the buzzer is mute.

To act the buzzer function, press the button again for 3 seconds. The setting will be kept until the next reset.

### ⚠ Caution!

- After Muting the buzzer function, the sounds will not be activated any more.

# OPERATION

---



## Dry Level

Press the Dry Level button continuously to choose the dry level: Extra Dry/ Cupboard Dry/ Iron Dry.

**d-3** ☀ Extra Dry: Need to wear clothes immediately, we can choose this

**d-2** 🏠 Cupboard: The normal dry procedure

**d-1** 🧊 Iron: Only to dry slightly and then is just ok.



## Note!

- Drying hints
  - Clothes could be dried after spinning
  - To ensure quality dry the textiles, please classify them according to their kinds and the drying temperature.
  - Synthetic should be set the proper drying time.
  - If you want to iron the clothes after drying, please put them for a while.
- Clothes not suitable for drying
  - Particularly delicate items such as synthetic curtains, woolen and silk, clothes with metal inserts, nylon stockings, bulky clothes, such as anoraks, bedcovers, quilts, sleeping bags and duvets must not be dried.
  - Clothes padded with foam-rubber or materials similar to foam-rubber must not be machine dried.
  - Fabrics containing residues of setting lotions or hair sprays, nail solvents or similar solutions must not be machine dried in order to avoid the formation of harmful vapours.

# MAINTENANCE

---

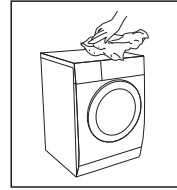
## ■ Cleaning and Care

### ⚠ Warning!

- Always unplug the appliance and close the water tap before cleaning and maintenance.

### Cleaning the Cabinet

Proper maintenance on the washing machine can extend its working life. The surface can be cleaned with diluted non-abrasive neutral detergents when necessary. If there is any water overflow, use a cloth to wipe it off immediately. Never use sharp items to clean the appliance.



### ⚠ Caution!

- Never use abrasive or caustic agents, formic acids or its diluted solvents or similar substances, like alcohol or chemical products.

### Cleaning the Drum

Any rust stains left inside the drum by metal articles must be removed immediately using chlorine-free detergents. Never use steel wool for cleaning the drum!

### 📌 Note!

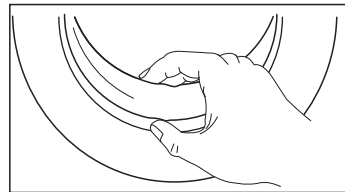
- Keep any laundry away from the machine while cleaning the drum.

### Cleaning the Door Seal and Glass

Wipe the glass and seal after each wash to remove lint and stains. If lint builds up it can cause leakages.

Remove any coins, buttons and other objects from the seal after each wash.

Clean the Door Seal and Glass every month to ensure the normal operation of the appliance.



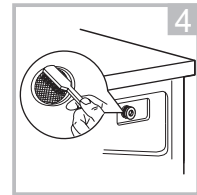
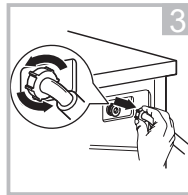
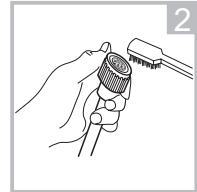
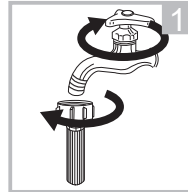
# MAINTENANCE

## Cleaning the Inlet Filter


### Note!

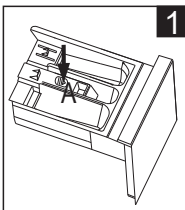
- Diminishing water flow is a sign that the filter need to be cleaned.

1. Close the tap and remove the water supply hose from it.
2. Clean the filter with a brush.
3. Unscrew the water supply hose from the backside of the machine. Pull out the filter with long nose pliers.
4. Use a brush to clean the filter.
5. Reinstall the filter to the water inlet and reconnect the water supply hose.
6. Clean the Inlet filter every 3 months to ensure the normal operation of the appliance.

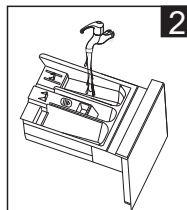


## Clean The Detergent Dispenser

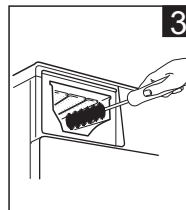
1. Press down the release [  ] on the softener cover and pull the dispenser drawer out of the recess. Clean the inside of the recess with a brush.
2. Lift the softener cover off the dispenser drawer and wash both items with water.
3. Restore the softener cover and push the drawer back into the recess.



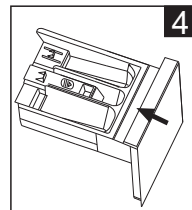
Pull out the dispenser drawer with press the A



Clean the dispenser drawer under water



Clean inside the recess with an old toothbrush



Insert the dispenser drawer

### Note!

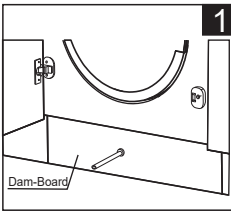
- Do not use abrasive or caustic agents to clean plastic parts.
- Clean the detergent dispenser every 3 months to ensure the normal operation of the appliance

# MAINTENANCE

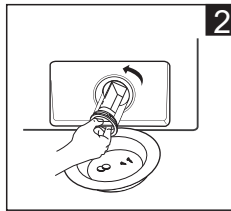
## Cleaning the Drain Pump Filter

### ⚠ Warning!

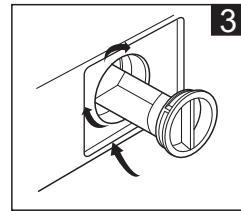
- Be careful of the hot water!
- Allow detergent solution to cool down.
- Unplug the machine to avoid electrical shock before washing.
- Drain pump filter can filter the yarns and small foreign matters from the washing.
- Clean the filter periodically to ensure the normal operation of washing machine.
- Clean the filter periodically every 3 months to ensure the normal operation of the appliance.



After the power is disconnected, pull out the Dam-Board.



Turn the filter down as shown with the figure and take out sundries matters.



Reinstall each part back after sundries matters are removed.

### ⚠ Caution!

- Make sure emergency drain hose cap and the emergency drain hose are reinstalled properly, otherwise water may leak.

# MAINTENANCE

## ■ Trouble Shooting

Whenever there is a problem with the appliance, check if you can solve it following the tables below. If the problem persists, please contact the customer service.

Description	Possible cause	Solution
Appliance does not start	Door is not closed properly. Clothes are stuck.	Close the door properly and restart. Check the laundry.
Door can't be opened	Safety protection is activated.	Disconnect the power and restart.
Water leakage	Connections are not tight enough.	Check and fasten the water inlet pipe. Check and clean the outlet hose.
Detergent residues in the detergent dispenser	Detergent is damp and/or clotted.	Clean and wipe the detergent dispenser dry.
Indicator or display does not work	PC board or harness have connection problems.	Switch off the power and check if the mains plug is connected properly.
Abnormal noise	Fixing bolts still in place. Floor is not solid or level.	Check if the fixing bolts have been removed Make sure the appliance is installed on a solid and level floor.

## Error Codes

Description	Possible cause	Solution
<b>E30</b>	Door is not closed properly	Close the door properly and restart.
<b>E10</b>	Water injecting problem during wash cycle.	Check if the water pressure is high enough. Straighten the water pipe. Clean the inlet valve filter.
<b>E21</b>	Overtime water draining	Check the drain hose for blockage.
<b>E12</b>	Water overflow	Restart the appliance.
<b>EXX</b>	Others	Restart the appliance. If problem persists, please contact the customer service.

# MAINTENANCE

## Customer service

Spare part for your appliance are available for a minimum of 10 years. In case of questions please contact our customer service center.

### Warning!

Risk of electric shock

- Never try repair an appliance which is defective or presumed to be defective. You may put your own and future users' lives in danger. Only authorised specialists are allowed to carry out this repair work.
- Improper repair will void the warranty and subsequent damages can't be recognised!

## Transport

### IMPORTANT STEPS WHEN MOVING THE APPLIANCE

- Unplug the appliance and close the water inlet tap.
- Check, if the door and the detergent dispenser are closed properly.
- Remove the water inlet pipe and the outlet hose from the house installations.
- Let the water drain completely from the appliance (see "Maintenance Cleaning the drain pump filter")
- Important: Re-install the 4 transport bolts in the back of the appliance.
- This appliance is heavy. Transport with care. Never hold any protruding part of the machine when lifting. The machine door cannot be used as a handle.

## Technical Specifications

Power Supply	220-240V~,50Hz
--------------	----------------

MAX.Current	10A
-------------	-----

Standard Water Pressure	0.05MPa~1MPa
-------------------------	--------------

Model	WD3M841BWI
-------	------------

Power Supply	220-240V~,50Hz
--------------	----------------

Washing Capacity	8.0kg
------------------	-------

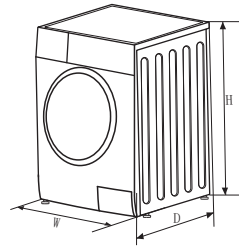
Drying Capacity	6.0kg
-----------------	-------

Dimension(W*D*H)	595*540*825
------------------	-------------

Weight	64kg
--------	------

Rated Power	1900W
-------------	-------

Drying Power	1300W
--------------	-------





# MAINTENANCE

## ■ Product Fiche

Model	WD3M841BWI
Washing Capacity	8kg
Drying Capacity	6kg
Spin Speed	1400 rpm
Energy efficiency class <sup>1</sup>	A
Energy consumption of per cycle (to wash and dry a full capacity wash load at 60°C)	5.44kWh/Cycle
Water consumption of per cycle(Total)	136 L/cycle
Annual energy consumption(Using the dryer) <sup>2</sup>	1088kWh /annual
Annual water consumption(Using the dryer) <sup>2</sup>	27200L /annual
Annual energy consumption(Never Using the dryer) <sup>3</sup>	150kWh /annua
Annual water consumption(Never Using the dryer) <sup>3</sup>	12800L /annual
Washing performance class <sup>4</sup>	A
Spin- drying efficiency class <sup>5</sup>	B
Standard washing cycle <sup>6</sup>	Intensive 60°C /1400rpm
Energy consumption of the Intensive 60°C at full load(Washing)	0.75kWh /cycle
Water consumption of the Intensive 60° C at full load(Washing)	64L/cycle
Remaining moisture content of the Intensive 60°C at full load(Washing)	53%
Programme duration of Intensive 60° C at full load(Washing)	310min
Energy consumption of the Dry at full load(Drying)	4.69kWh /cycle
Water consumption of the Dry at full load(Drying)	72L/cycle
Remaining moisture content of the Dry at full load(Drying)	0%
Programme duration of Dry at full load(Drying)	420min
Power consumption of off - mode	0.5W
Power consumption of Left on -mode	1.0W
Noise level of washing	56dB (A)
Noise level of spinning	78dB (A)
Noise level of drying	62dB (A)

# MAINTENANCE

---

## Remarks:

- ① The energy efficiency class is from A(highest efficiency) to D (lowest efficiency).
- ② Estimated annual energy and water consumption for a four-person household, always using the dryer (based on 200 cycles) per year.
- ③ Estimated annual energy and water consumption for a four-person household, never using the dryer (based on 200 cycles)per year;  
Water consumption per year based on 220 standard washing cycles for standard programme at 60°C and 40°C at full and partial load. Actual water consumption will depend on how the appliance is used.
- ④ Washing performance class.
- ⑤ Spin-drying efficiency class from G (least efficient) to A (most efficient).
- ⑥ The standard programme is standard washing programme. The programme is suitable to clean normally soiled cotton laundry and they are the most efficient programmes in terms of combined energy and water consumptions for washing that type of cotton laundry. The actual water temperature may differ from the declared cycle emperature.  
Please choose the suitable type of detergent for the various washing temperatures to get the best washing performance with less water and energy consumption.

# MAINTENANCE

Supplier's name or trade mark<sup>(a)</sup>(<sup>d</sup>): HISENSE

Model identifier<sup>(a)</sup>: WD3M841BWI

General product parameters:

Parameter	Value		Parameter	Value	
Rated capacity(kg)	Rated capacity <sup>(c)</sup>	6.0	Dimensions in cm <sup>(a)</sup> ( <sup>d</sup> )	Height	83
	Rated washing capacity <sup>(b)</sup>	8.0		Width	60
				Depth	54
Energy Efficiency Index	EEI <sub>W</sub> <sup>(b)</sup>	60.0	Energy efficiency class	EEI <sub>W</sub> <sup>(b)</sup>	B <sup>(e)</sup>
	EEI <sub>WD</sub> <sup>(c)</sup>	78.4		EEI <sub>WD</sub> <sup>(c)</sup>	E <sup>(e)</sup>
Washing Efficiency Index	I <sub>W</sub> <sup>(b)</sup>	1.031	Rinsing effectiveness (g/kg dry textile)	I <sub>R</sub> <sup>(b)</sup>	5.0
	J <sub>W</sub> <sup>(c)</sup>	1.031		J <sub>R</sub> <sup>(c)</sup>	5.0
Energy consumption in kWh per kg per cycle, for the washing cycle of the household washer-dryer, using the eco 40-60 programme at a combination of full and partial loads. Actual energy consumption will depend on how the appliance is used.	0.545		Energy consumption in kWh per kg per cycle, for the wash and dry cycle of the household washer-dryer at a combination of full and half loads. Actual energy consumption will depend on how the appliance is used.	3.600	
Water consumption in litre per cycle, for the eco 40-60 programme at a combination of full and partial loads. Actual water consumption will depend on how the appliance is used and on the hardness of the water.	48		Water consumption in litre per cycle, for the wash and dry cycle of the household washer-dryer at a combination of full and half loads. Actual water consumption will depend on how the appliance is used and on the hardness of the water.	90	
Maximum temperature inside the treated textile(°C) for the washing cycle of the household washer-dryer, using the eco 40-60 programme	Rated washing capacity	38	Maximum temperature inside the treated textile(°C) for the washing cycle of the household washer-dryer, using the wash and dry cycle	Rated capacity	39
	Half	38		Half	27
	Quarter	21			
Spin speed (rpm) <sup>(b)</sup>	Rated washing capacity	1400	Weighted remaining moisture content (%) <sup>(b)</sup>	53.9	
	Half	1400			
	Quarter	1400			

# MAINTENANCE

Eco 40-60 programme duration (h:min)	Rated washing capacity	3:38	Spin-drying efficiency class <sup>(b)</sup>	B <sup>(c)</sup>	
	Half	2:48			
	Quarter	2:48			
Airborne acoustical noise emissions during the spinning phase for the eco 40-60 washing cycle at rated washing capacity (dB(A)re 1 pW)	76	Wash and dry cycle duration (h:min)	Rated capacity	9:30	
			Half	6:40	
Type	built-in	Airborne acoustical noise emissions class for the spinning phase for the eco 40-60 programme at rated washing capacity	B <sup>(c)</sup>		
Off-mode (W) (if applicable)	0.50	Standby mode (W) (if applicable)	1.00		
Delay start (W) (if applicable)	4.00	Networked standby (W) (if applicable)	N/A		
Minimum duration of the guarantee offered by the supplier <sup>(a)(d)</sup> :					
This product has been designed to release silver ions during the washing cycle		NO			

Additional information <sup>(a)(d)</sup>:

Weblink to the supplier's website, where the information in point 9 of Annex II to Regulation (EU) 2019/2023 is found:

- (a) this item shall not be considered relevant for the purposes of Article 2(6) of Regulation (EU) 2017/1369.  
 (b) for the eco 40-60 programme.  
 (c) for the wash and dry cycle.  
 (d) changes to this item shall not be considered relevant for the purposes of paragraph 4 of Article 4 of Regulation (EU) 2017/1369.  
 (e) if the product database automatically generates the definitive content of this cell the supplier shall not enter these data.

- 1) The actual energy consumption will depend on how the appliance is used.
- 2) The actual water consumption will depend on how the appliance is used and on the hardness of the water.
- 3) Delivery of the spare parts within 15 working days after having received the order.

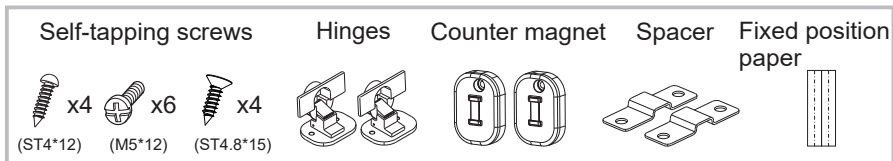
## Product Data Sheet concerning (EU) 2019/2014

The product data sheet for your appliance can be found online.  
 Go to <https://eprel.ec.europa.eu> and enter the model identifier for your appliance to download the data sheet.  
 The model identifier for your appliance can be found in the technical specifications section.

# MAINTENANCE

## ■ Built-in installation

### Appendix

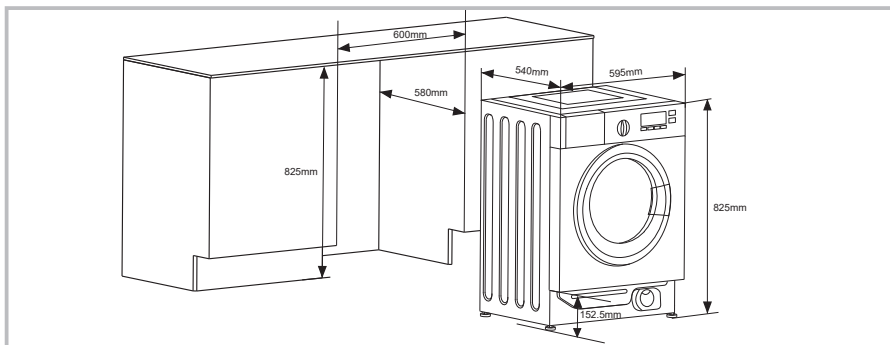


### Tool

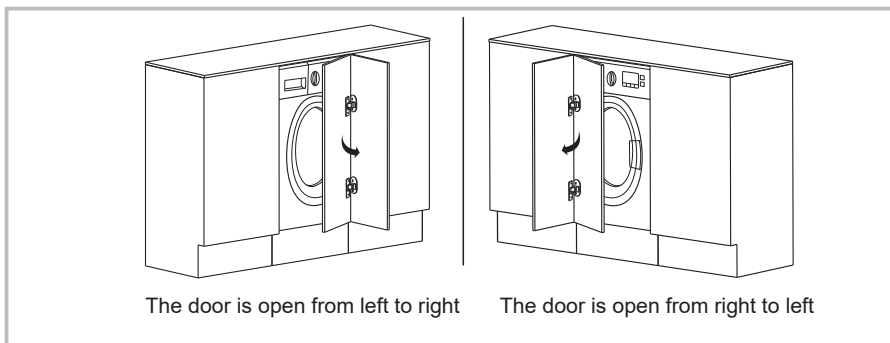
Screw driver Automatic driver Ruler Pencil



### Install Steps

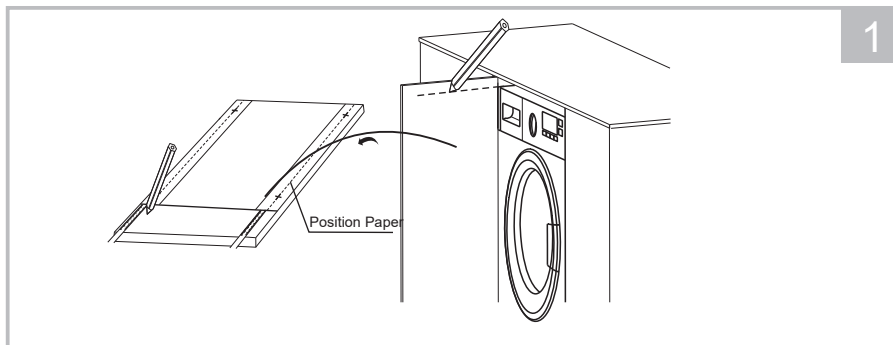


Overview

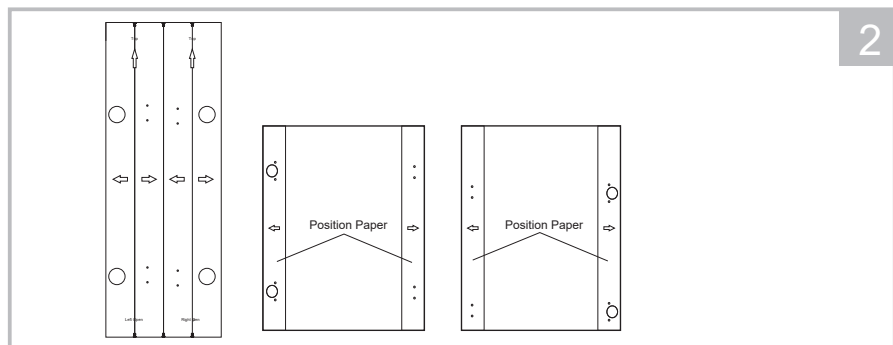


Preparation and assembly of the door

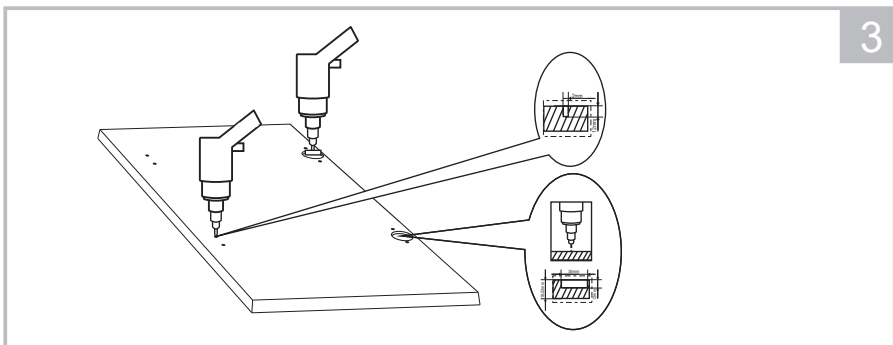
# MAINTENANCE



Make the mark on the door

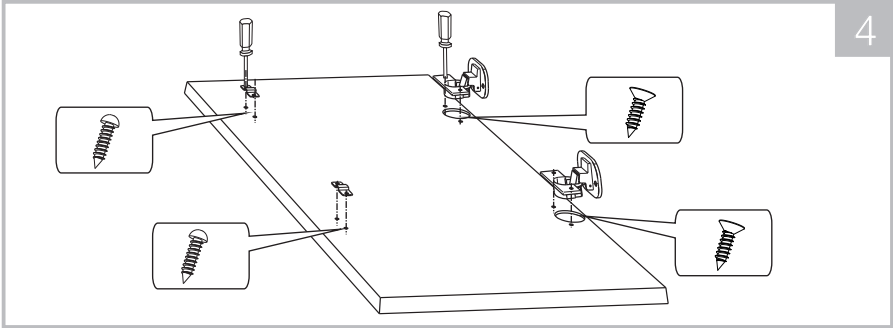


Fixed position paper on the door.



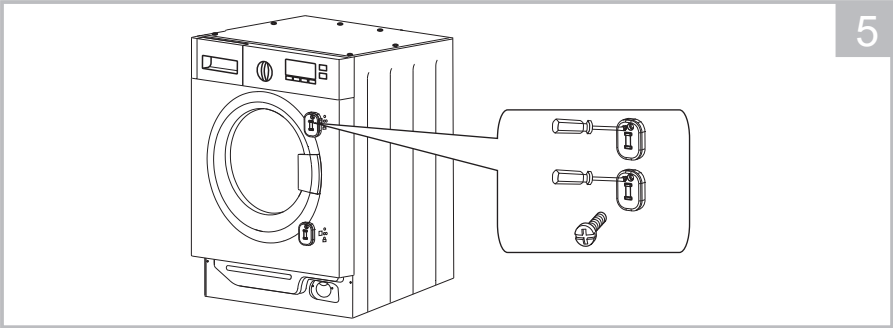
Drill hole on the door

# MAINTENANCE



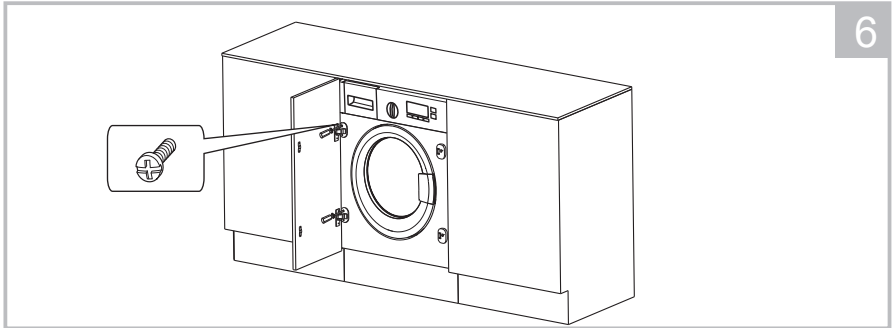
4

Installation the hinges and spacer



5

Installation the counter magnet



6

Installation the door

## **Warning!**

- When installing the appliance into the kitchen ensure furniture ,if possible, the hoses are placed in either of the two recesses on the back of the appliance. This will help to prevent the hoses from becoming kinked or trapped.

**Hisense**

life reimagined