

INSTALLATION INSTRUCTIONS
EN (GB) (IE)


Contents

Introduction	3	Materials required	19
Design guide	4	Flooring	19
Before you begin	4	Step 1	20
Cabinet Enclosure Dimensions For Fully Integrated Instructions	5	Step 2	21
Refrigerator Dimensions with 19 mm Panels	7	Step 3	22
The installation space	7	Step 4	22
Preparing install water line	8	Step 5	23
Product Clearances	9	Step 6	24
SS panel accessory & dimensions	11	Step 7	24
19 mm custom panel dimensions	12	Step 8	25
Custom panel dimensions	14	Step 9	25
Installation instructions	19	Step 10	28
Tools required	19	Step 11	28
Hardware supplied	19	Step 12	29
		Step 13	32


The following symbols are used throughout the manual and they have the following meanings:

 **INFORMATION!**

Information, advice, tip, or recommendation

 **WARNING!**

Warning – general danger

 **ELECTRIC SHOCK!**

Warning – danger of electric shock

 **DANGER OF FIRE!**

Warning – danger of fire

Design guide

Before you begin

Read these instructions completely and carefully.

- IMPORTANT - Save these instructions for local inspector's use. Observe all governing codes and ordinances.
- Note to Installer - Be sure to leave these instructions with the Consumer.
- Note to Consumer - Keep these instructions for your future reference.
- Skill Level - Installation of this refrigerator requires basic mechanical, carpentry and plumbing skills. Proper installation is the responsibility of the installer. Product failure due to improper installation is not covered under the Asko Warranty.

WARNING!

This appliance must be properly grounded. See Electrical Specifications.

WARNING!

Due to the weight and size of this refrigerator, and to reduce the risk of personal injury or damage to the product — TWO PEOPLE ARE REQUIRED FOR PROPER INSTALLATION.

WARNING!

- These refrigerators are top-heavy and must be secured to prevent the possibility of tipping forward. Anti-tip protection is required.
- Use this appliance only for its intended purpose.
- Immediately repair or replace electric service cords that become frayed or damaged.
- Turn off the circuit breaker to disconnect power before cleaning or making repairs.
- Repairs should be made by a qualified service technician.

WARNING!

WARNING—R600a Refrigerant

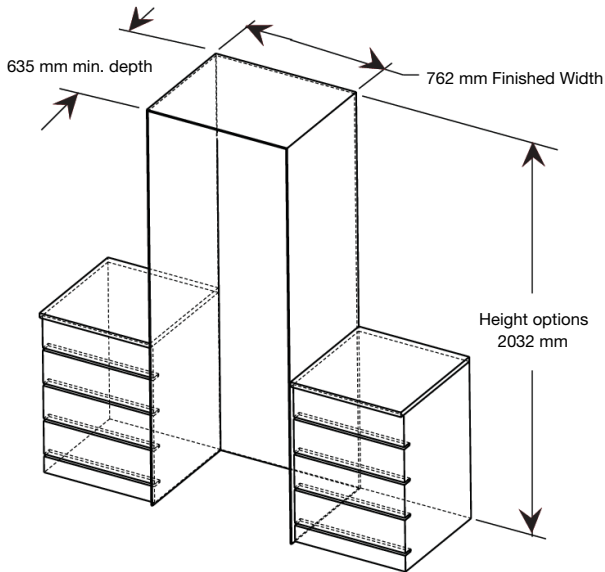
This appliance contains isobutane refrigerant, R600a, a natural gas with high environmental compatibility. However it is also combustible. Please adhere to the warnings below: If you received a damaged refrigerator, you should immediately contact your dealer or builder.

1. When handling, installing and operating the appliance, care should be taken to avoid damage to the refrigerant tubing.
2. Servicing shall be performed by factory-authorized service personnel and component parts shall be replaced with manufacturer-authorized replacement components.
3. Refrigeration products contain refrigerants, which under federal law must be removed prior to product disposal.
4. Keep ventilation openings in the appliance enclosures or in the built-in structure clear of obstruction.
5. Do not use mechanical devices or other means to accelerate the defrosting process.

6. Do not damage refrigerant circuit.
7. Do not use electrical appliances inside the food storage compartment of the appliance.

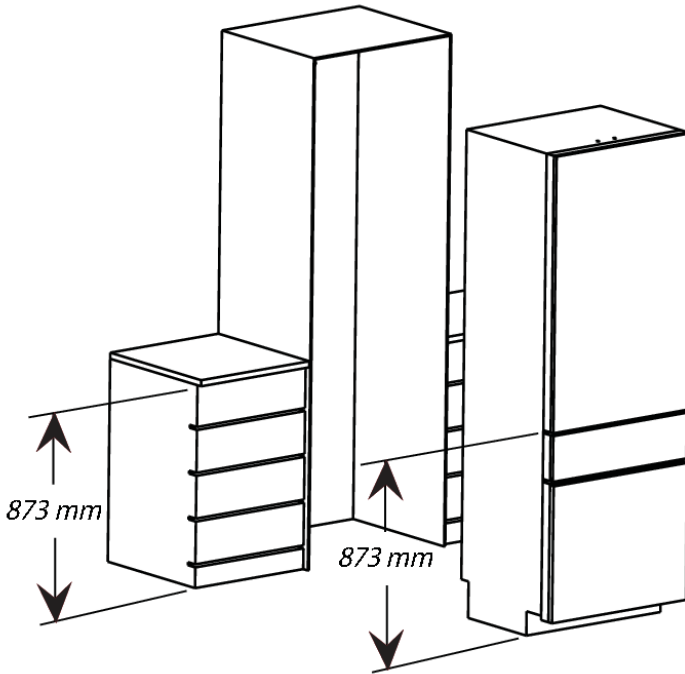
Cabinet Enclosure Dimensions For Fully Integrated Instructions

The cutout depth must be 635 mm for flush installations.



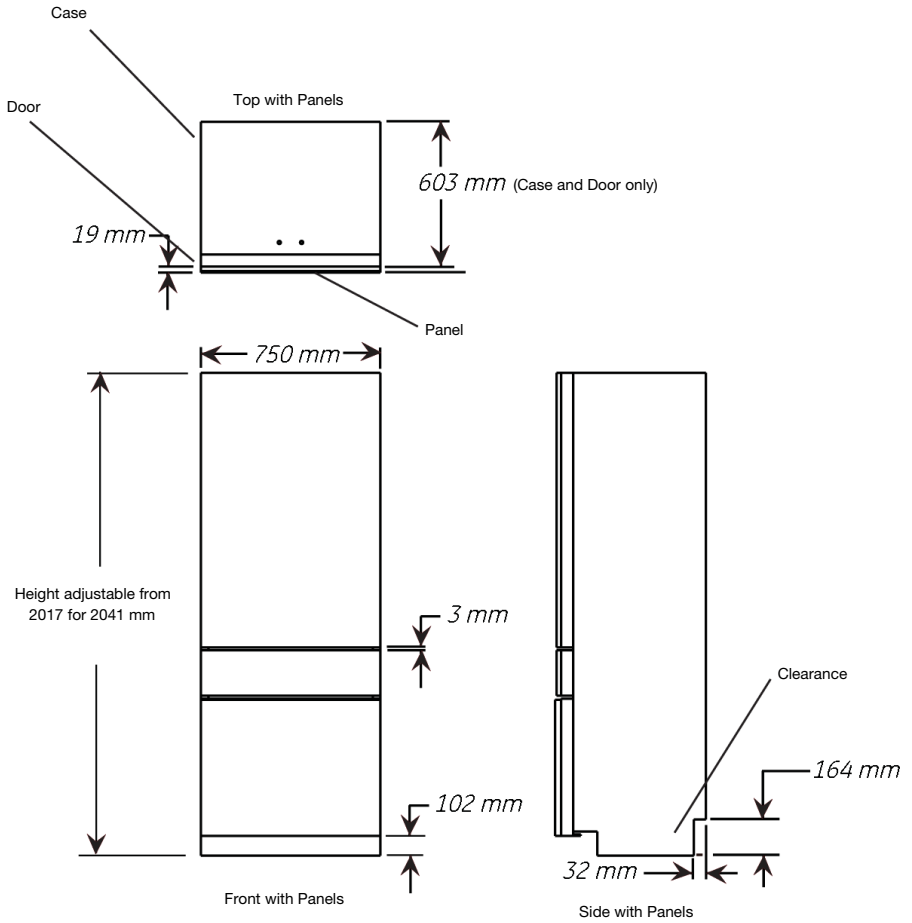
- The front face of the refrigerator fits flush with 635 mm depth adjacent cabinets.
- The refrigerator can fit into a 2020 mm minimum, 2044 mm maximum high enclosure. Although the refrigerator itself can only be raised to 2041 mm.

Design guide



Design Tip: It is possible to align your refrigerator drawer with adjacent cabinetry for a completely integrated look.

Refrigerator Dimensions with 19 mm Panels



Install Clearances

Top	Each Side	Rear
3 mm	6 mm	12 mm

The installation space

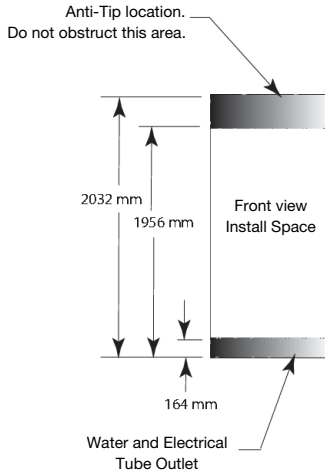
Water and Electrical Locations

Electrical and water supply should be located in shaded area only as shown.

Design guide

Preparing install water line

- A cold water supply is required for automatic icemaker operation. The water pressure must be between 3 bar - 8 bar.
- Route enclosed water tube between the house cold water line and the refrigerator water connection located at the back of the unit.



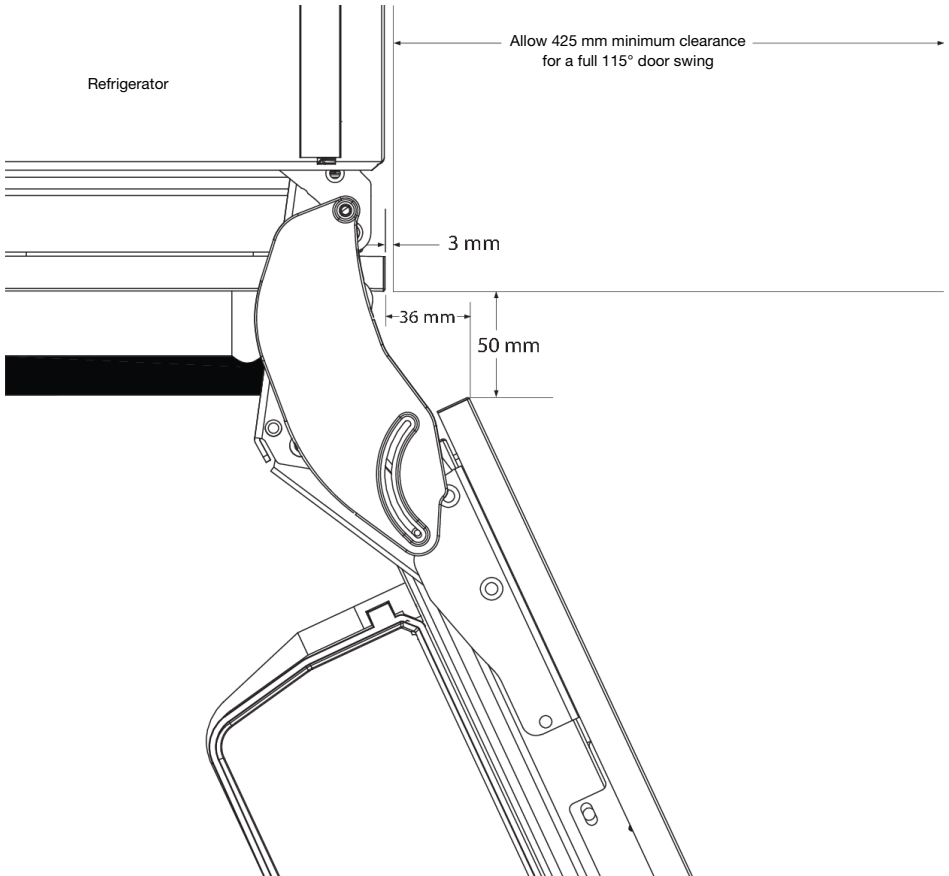
Electrical Specifications

- A 220-240 V, 50/60 Hz, 10 A power supply is required. An individual properly grounded branch circuit or circuit breaker is recommended.
- Install a properly grounded 3-prong electrical receptacle recessed into the back wall. Electrical outlet must be located on rear wall as shown.

Product Clearances

These refrigerators are equipped with a 2-position door stop. The factory-set 115° door swing can be adjusted to 90° if clearance to adjacent cabinets or walls is restricted.

115° door swing



Stainless Steel or Custom Panels

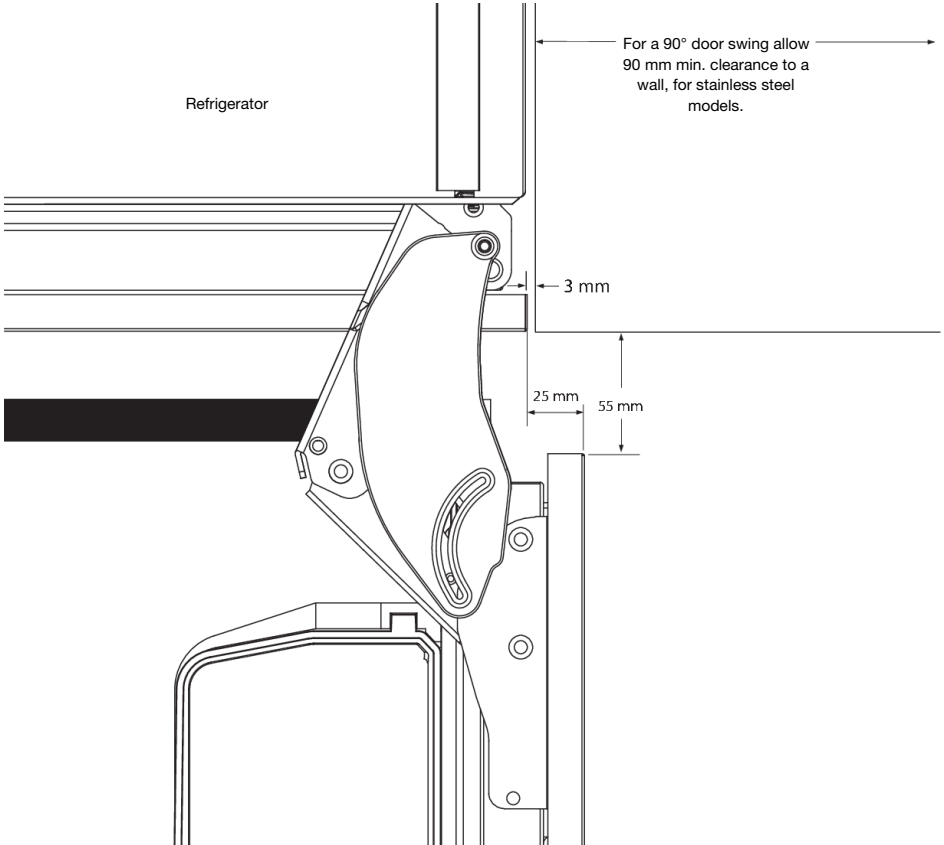
Top View

115° DOOR SWING

(factory setting)

Design guide

90° door swing



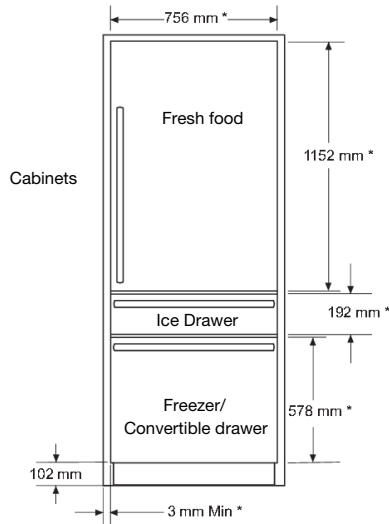
Stainless Steel or Custom Panels

Top View

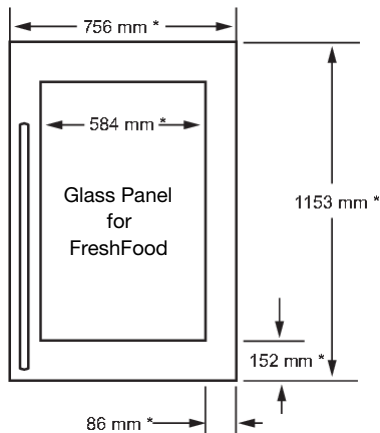
90° DOOR SWING

(optional setting)

SS panel accessory & dimensions 19 mm-Thick Solid Door Panel Option



19 mm-Thick Frame for Glass Door Options



Check door panel dimensions for panel bracket location - see pages 16-18.

* There must be a minimum 3 mm gap between panels and surrounding cabinetry.

Optional Accessory Kits:

- Side-by-Side Installation Kit

Design guide

INFORMATION!

When using Side-by-Side Installation Kit please refer to Side-by-Side Installation Instructions enclosed with the kit.

19 mm custom panel dimensions

If you choose to install custom panels, they must be cut to the dimensions shown. The panels will attach to the door and drawers using panel brackets enclosed.

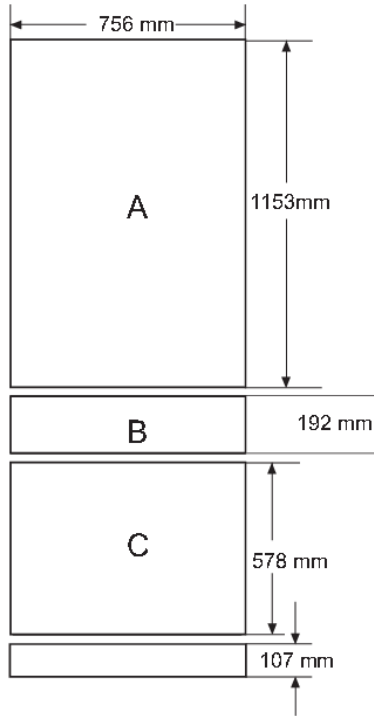
WARNING!

Custom wood panels must be at least 14 mm thick where panel brackets are attached. Refer to custom panel dimensions for panel bracket location - see pages 16, 17 and 18.

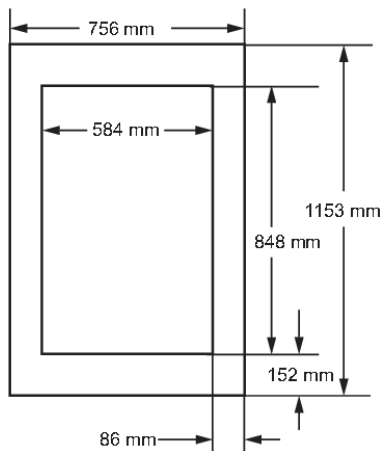
INFORMATION!

This product is designed to handle 19 mm panels that are made of wood. 848 x 584 mm is the maximum opening for a glass window. The opening may be smaller if desired.

Panels for solid door and drawers



Panels for glass door



Design guide

💡 INFORMATION!

Maximum panel weight:

A Fresh Food Door Panel: 15 kg

B Freezer Drawer Panel: 4 kg

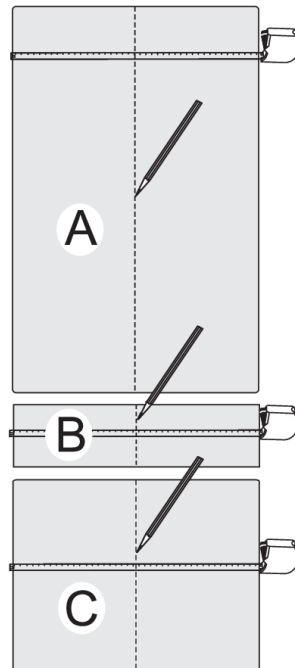
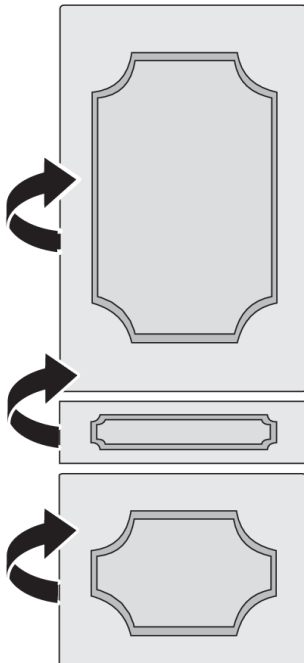
C Convertible Drawer Panel: 8,5 kg

Design Tip: Some amount of each panel will be visible on the interior side of the unit. It is recommended that both sides of each panel be finished.

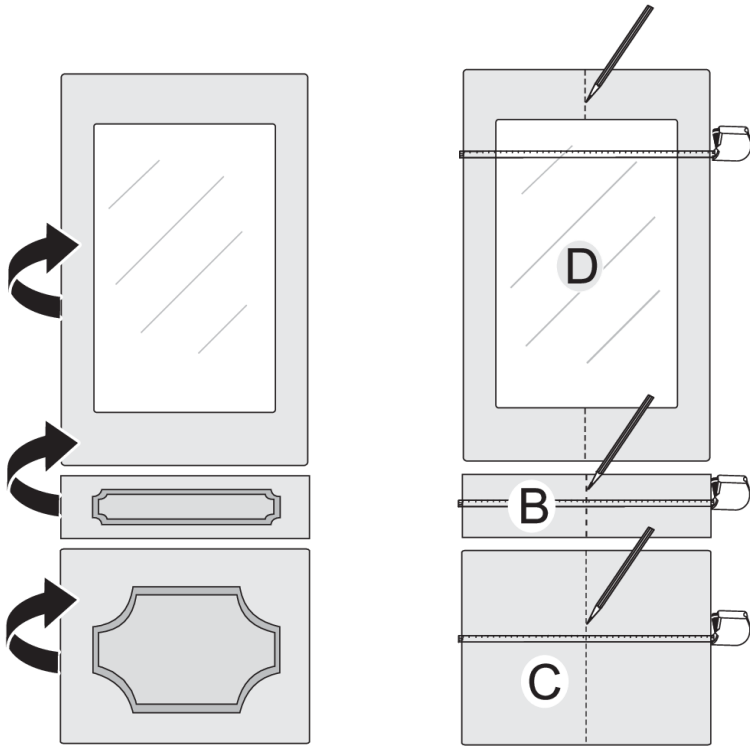
Design Tip: If using custom panels, a custom toe kick should be considered. The Bottom of case is black.

Custom panel dimensions

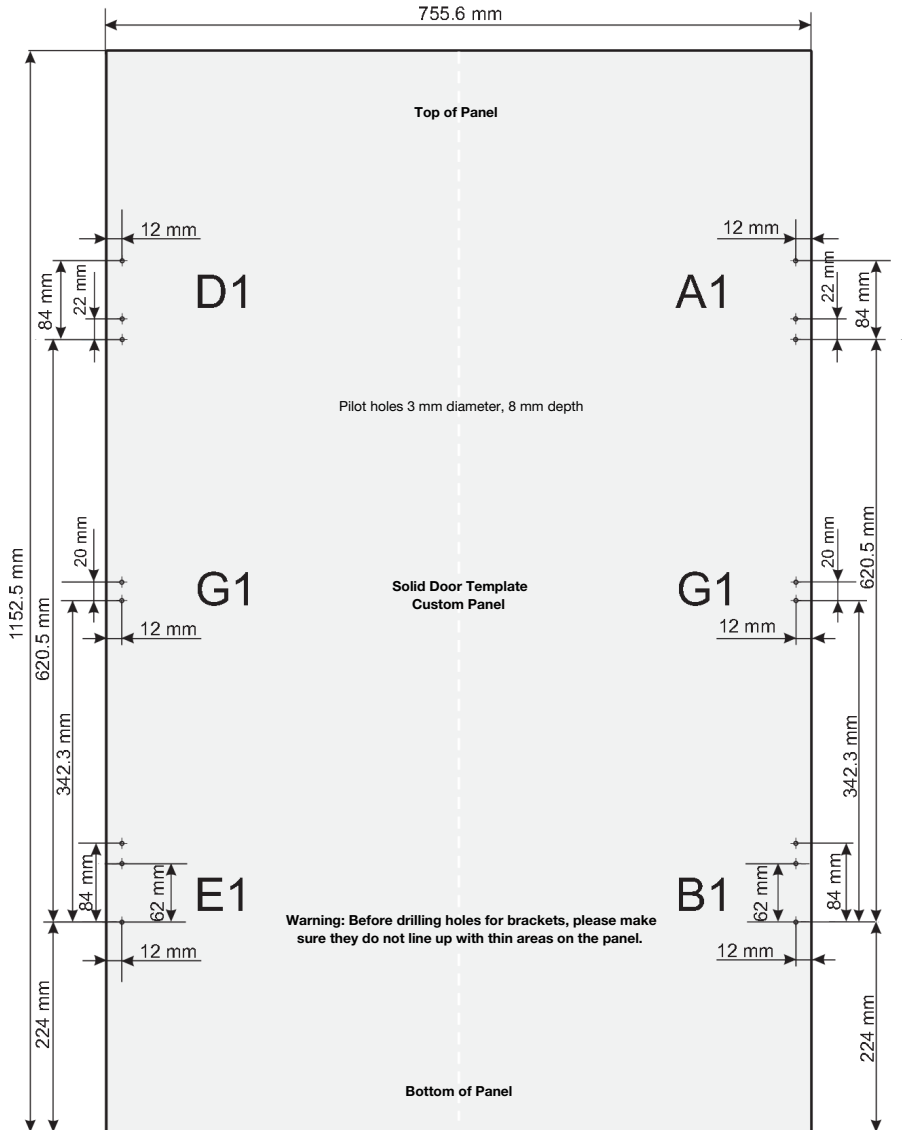
Solid Door Version



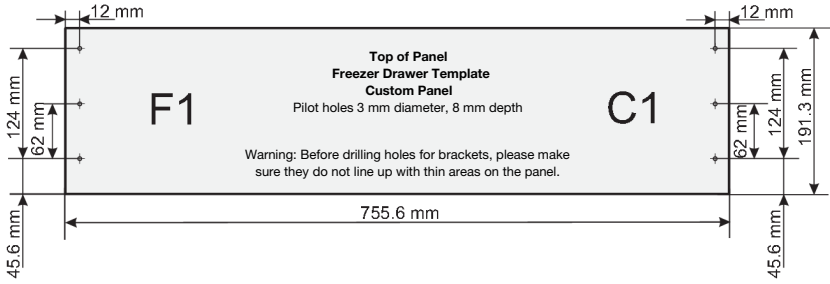
Glass Door Version



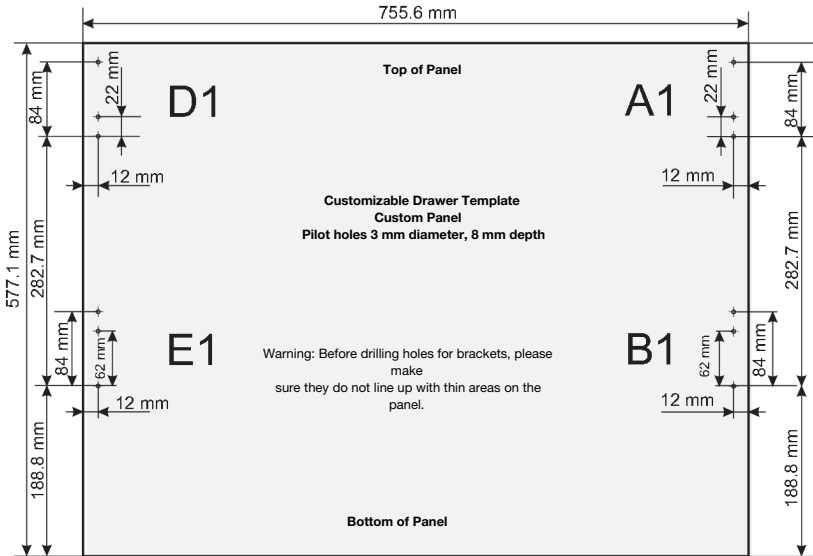
A



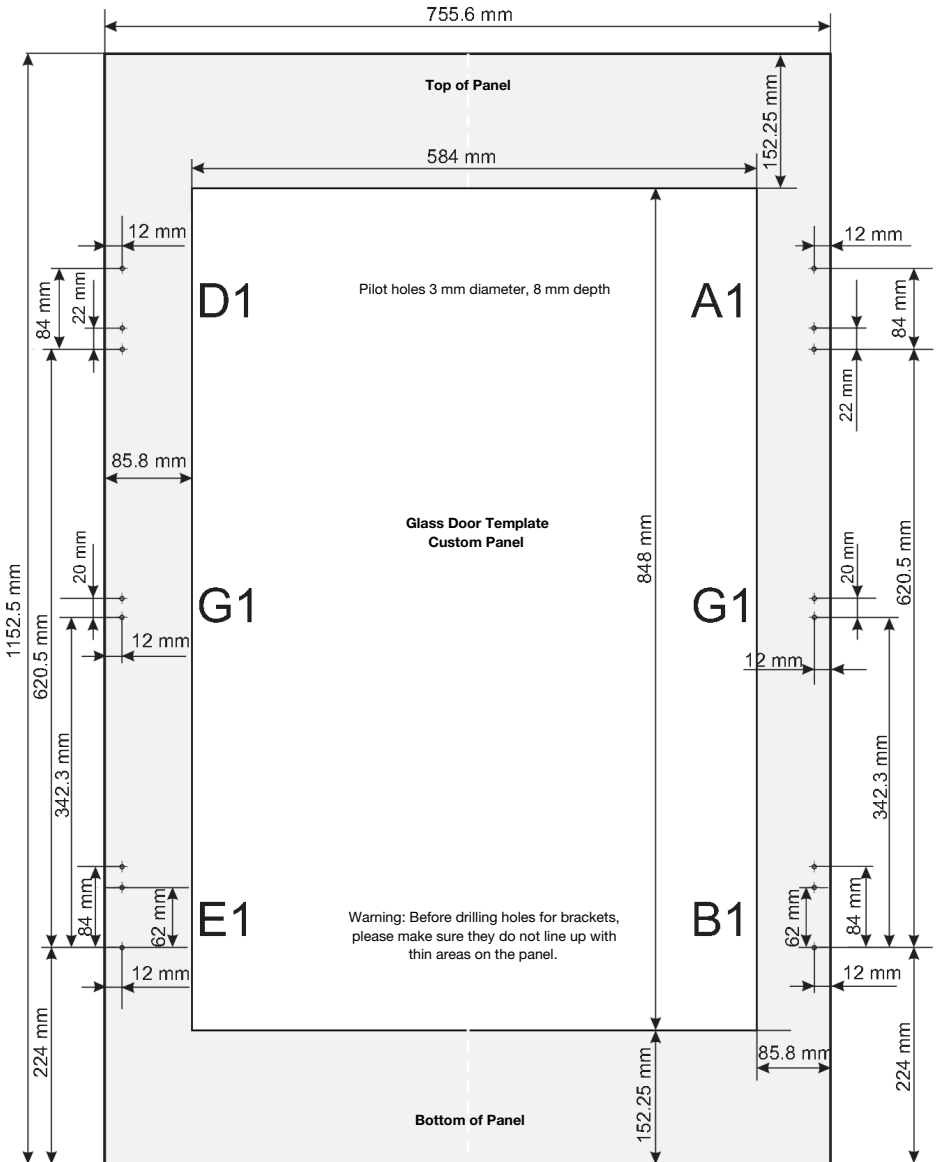
B



C



D



Tools required

- 4 mm Allen wrench
- Utility knife
- Stepladder
- Bucket
- Level
- Appliance hand truck
- 13 mm open-end wrench
- 11 mm open-end wrench
- 32 mm open-end wrench
- #2 Phillips screwdriver
- Drill and bit set
- 8 mm socket
- Safety glasses
- Pliers
- 10 mm ratchet
- Torx T-20, T-30 wrench

Hardware supplied

- Anti-tip bracket & screws
- Panel mounting brackets & screws
- Drywall Anchors and screws
- Water filter
- Water tubing kit

Materials required

- Custom panels for fresh food door, freezer drawer and Convertible drawer
- Velcro w/adhesive if using custom toekick.

Flooring

For proper installation, this refrigerator must be placed on a level surface of hard material that is at the **same height as the rest of the flooring**. This surface should be strong enough to support a fully loaded refrigerator, or approximately 500 kg.

INFORMATION!

NOTE: Protect the finish of the flooring. Cut a large section of the cardboard carton and place under the refrigerator where you are working.

Installation instructions

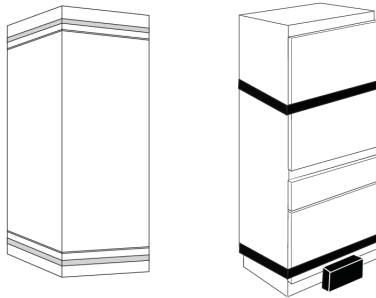
Step 1

Remove packaging

WARNING!

The refrigerator is top-heavy, be careful when moving.

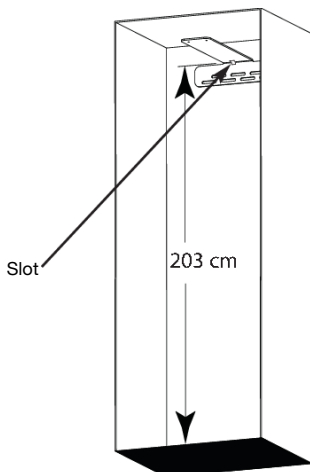
- Cut bands and tape on the top and bottom of packaging with a utility knife.
- Unfold the cardboard seams and remove the top of the packaging.
- Slide the remainder of the box off of the appliance. You can use a box cutter to cut the remaining cardboard being VERY CAREFUL not to scratch the appliance.
- Remove the Styrofoam supports from around the unit.
- DO NOT remove door band or lower EPS banded part until unit is ready to go into enclosure.
- Cut EPS skid at the sides near the front from the back of the unit.
- Push unit forward & remove rear portion of the EPS skid.
- Carefully lower rear onto the floor.
- Lean unit back slightly & remove front portion of the EPS skid.
- Discard all unused packaging materials appropriately.
- The unit can now be moved using an appliance hand truck or rolled on a properly protected floor by 2 people.
- Leave any protective film on the refrigerator until installation is complete.



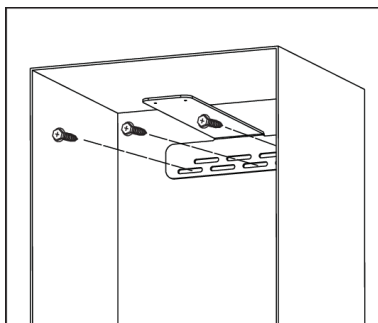
Step 2

Install anti-tip bracket

- Inside Top Face of bracket should be installed at 203 cm. "Slot" in bracket should be placed in center of install Space (Typically 38 cm).
- Mark (within slots, placement) stud and anchor positions on brackets.



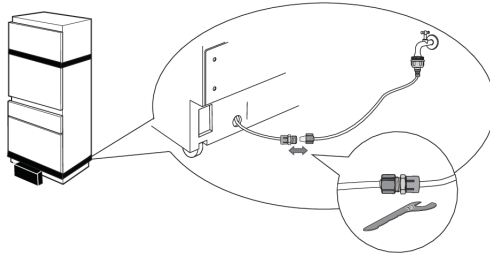
- Secure bracket using combination of studs & anchors.
- At least 1 stud must be engaged. However, please engage as many studs as possible within the enclosure. A minimum of three fasteners should be used for proper installation.



Installation instructions

Step 3

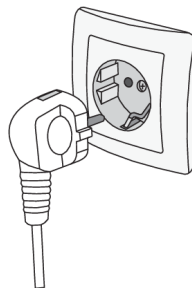
Connect water line



- Insert the end of the enclosed water tubing into the refrigerator connection. Tighten the compression nut until it is just hand-tight.
- Tighten one additional turn with a wrench. Over tightening can cause leaks!
- Turn on the water to check for leaks.

Step 4

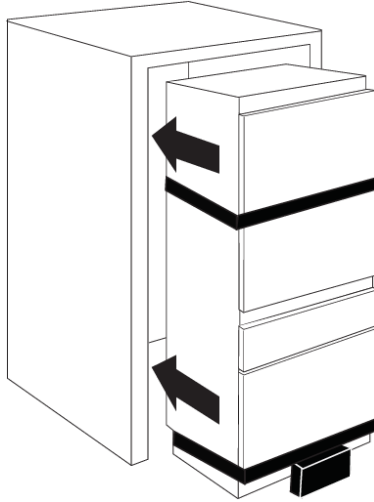
- Plug the power cord into the socket.
- Check to make sure power to refrigerator is on by opening the ice drawer (FF door will be banded shut) to see if interior lights are on.
- The temperature controls are preset at 3°C for the fresh food section and -18°C in both the freezer drawer and customizable drawer.
- Allow 24 hours to stabilize before making adjustments.



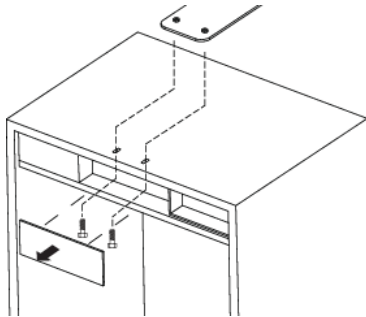
Step 5

Slide unit into enclosure

Roll the unit into the enclosure, being careful not to pinch the water line or power cord.



- A long flat bar or yard stick may be needed to guide the front edge of the anti-tip bracket over the unit.
- If space allows, you may also bend the front edge of the bracket upward slightly, allowing it to clear the back of the unit.



- Remove Top-Center trim cover from unit.
- Secure the unit to the Anti-tip bracket using both machine screws & washers to engage the threaded inserts in the anti-tip bracket.
- Hand start the screws until unit is in desired location within the install space.
- Finalize unit install by tightening the screws fully.
- Reinstall Trim cover.

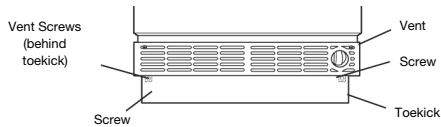
Installation instructions

Step 6

Remove toekick and vent

The toekick must be removed to access the leveling leg system.

- Remove band around EPS block in front of toekick.
- Remove and dispose of EPS block.
- Remove the solid portion of the toekick by pulling forward.
- Place the toekick, vent and screws out of the way so you will have them for reinstallation.

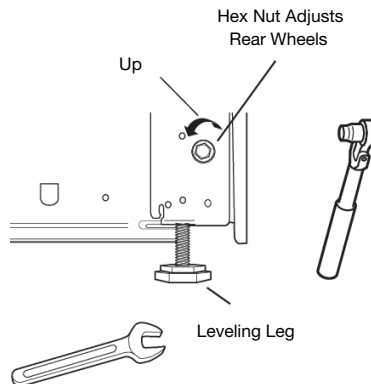


Step 7

Level refrigerator

All models have 4-point leveling. The front is supported by leveling legs; the rear is supported by adjustable wheels. Both are accessible from the front of the refrigerator.

- To level the back of the refrigerator, turn the 8 mm hexnut located above the front wheels. Turn counter clockwise to raise or clockwise to lower the refrigerator.
- For front leveling, use a 32 mm open-end wrench.
- Adjust height of refrigerator to match installation cutout opening. The refrigerator should be level and plumb with cabinetry.



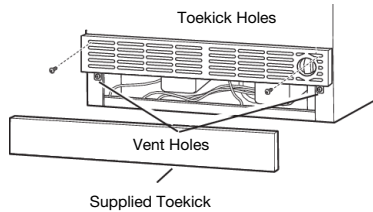
WARNING!

The rear leveling wheels and front leveling legs are limited to a maximum height adjustment of 24 mm. **If you attempt to raise the refrigerator more than 24 mm, you will damage the front leveling legs and the rear leveling wheels.**

Step 8

Install toekick and vent

- Locate the toekick, vent and screws (removed earlier).
- A custom toekick can be installed to match or complement the surrounding cabinetry. Use the supplied toekick as a template.
- Reinstall the vent using the screws removed earlier.
- Reinstall the toekick.



Step 9

Reverse door swing (If needed)

⚠ INFORMATION!

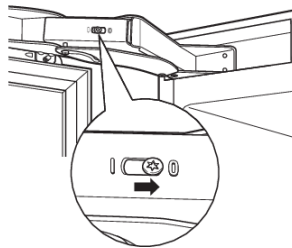
Skip this step if door swing is satisfactory.

1. Open the fresh food door.

⚠ WARNING!

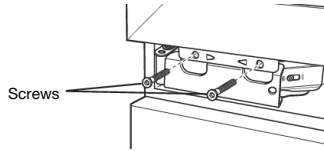
This next step is important for safe handling of an unloaded hinge. Do not skip step 2.

2. Release the hinge springs by using a Torx T-20 wrench to loosen the Torx screw from | to 0 on both hinges. Close the door.

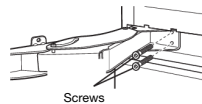


Installation instructions

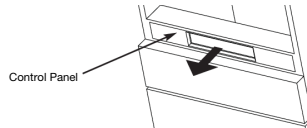
- Using a 4 mm Allen wrench, remove the 2 screws per hinge that secure the door to the refrigerator. Have someone hold the door while removing these screws to keep the door from falling.



- Open the hinges. Using a 4 mm Allen wrench, remove the 2 screws per hinge that secure the hinge to the refrigerator cabinet.



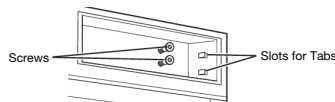
- Remove the trim and hinge pocket from the top of the refrigerator and install on the opposite sides.
- Remove the trim and hinge pocket from the bottom of the fresh food compartment. Remove the control panel and gently place in the FZ drawer.



- Reinstall the control panel.
- The hinges will be reinstalled in opposite corners. The hinge from the top will be turned over and installed at the bottom of the fresh food compartment. The hinge from the bottom will be turned over and installed at the top of the fresh food compartment.

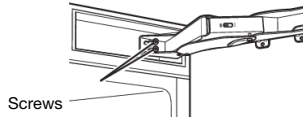


- Install the screws on the fresh food compartment cabinet in all 4 places. Screw them in about halfway.

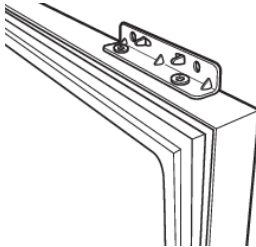


Installation instructions

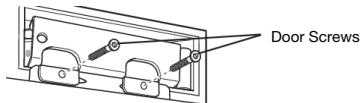
10. To install the top hinge, turn the hinge in the proper direction—the section of the bracket that will be attached to the door should be at the bottom of the hinge. Slide the hinge over the screws and seat the tabs into the hinge pocket. Tighten the screws.



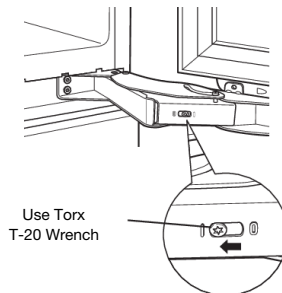
11. To install the bottom hinge, turn the hinge in the proper direction—the section of the bracket that will attach to the door should be at the top of the hinge. Slide the hinge over the screws and seat the tabs into the hinge pocket. Tighten the screws. Close the hinge.
12. Remove the hinge brackets from the door and reinstall them on the opposite end, top and bottom.



13. With another person holding the door in place, align the holes in the door hinge bracket with the holes in the hinge. Install the screws to the top hinge first.



14. Install screws on the bottom hinge next.
15. Using a Torx T-20 wrench, tighten the tension on the hinge springs by turning the screws from 0 to I.



Installation instructions

Step 10

Adjust door swing (if needed)

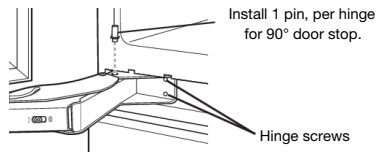
⚠ INFORMATION!

NOTE: This refrigerator has a 2-position door stop. When space does not allow the door to swing to 115°, you may limit the door swing to a 90°.

⚠ INFORMATION!

Skip this step if door opening is satisfactory for your installation situation.

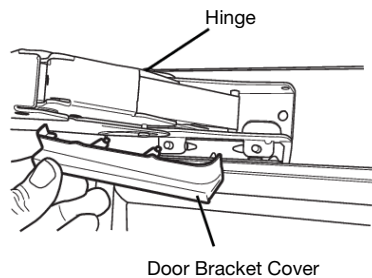
- Open the fresh food door to access the top and bottom hinges.
- Loosen the bottom hinge screws that attached to the unit.
- Pull hinge forward slightly & insert hinge pin into the hole nearest the unit.
- You may need to use a small hammer to fully seat them in place.
- Retighten hinge screws.
- Repeat for top hinge.



Step 11

Install door bracket covers

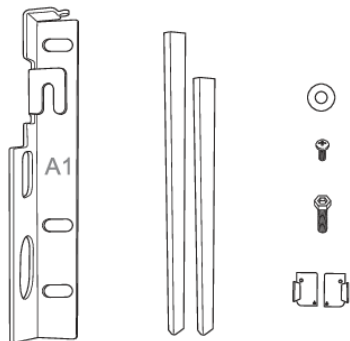
Install covers to hide the brackets near the hinges on the top and bottom of the door. The covers snap in place.



Step 12

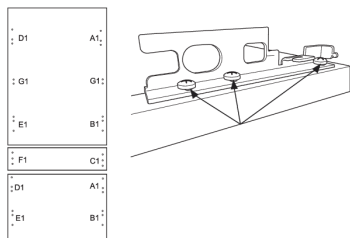
Install door and drawer panels

1. Remove all door and drawer panel hardware and trim from the unit.



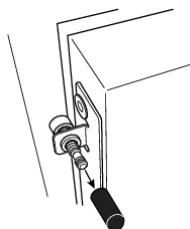
Item	Quantity
Panel Brackets	12
Phillips Machine Screws (for use with SS Panel Accessory)	34
Allen Hex Socket Head Screws	12
Washers	12
Door Trim	6
Trim Caps	12
Allen Wrench	2

2. Attach A1 - F1 brackets to the door panels in the locations identified below. Custom panels must have pre-drilled holes as shown in Door Panel Templates. If you purchased an SS Panel Accessory, use the Phillips machine screws to attach the brackets to the SS door panels. For custom panels, use an appropriate wood screw.



Do not tighten the screws, you will do that after assembly process and left to right alignment.

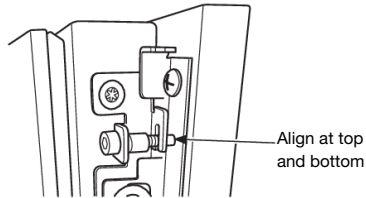
3. If you had custom handles made and they are not currently attached to your panels, do so now.
4. Remove the screw caps from the adjustment pins on the doors.



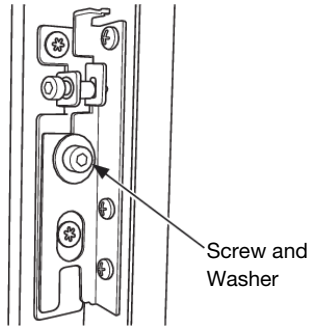
5. Open the refrigerator door to attach the refrigerator panel.

Installation instructions

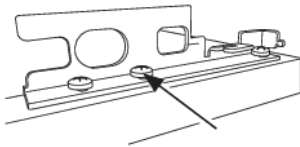
6. Rest the refrigerator panel on the refrigerator door by aligning the hooks on the panel brackets with the adjustment pins on the door.



7. Fasten the panel to the refrigerator door in four locations using the hardware shown below. Do not tighten the screws. Screws will be tightened after panel alignment.



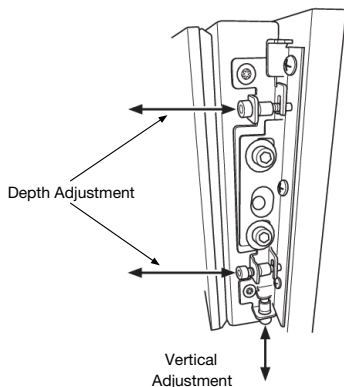
8. Shift the panel side to side to ensure even gaps with the adjacent cabinetry on both sides.



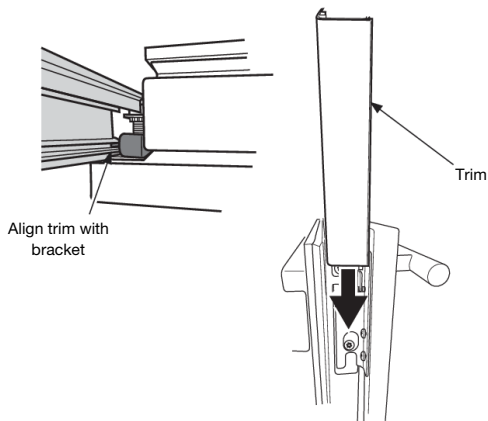
Tighten one screw per bracket. The other screws will be tightened at the end of the alignment process.

Installation instructions

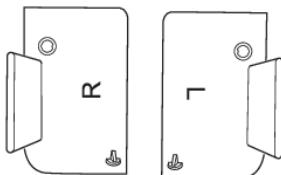
- Use an allen wrench to adjust the refrigerator door panel depth and height to align with the adjacent cabinetry. There must be a minimum 3 mm gap between the panel and the adjacent cabinetry.



- Repeat steps 5-9 for the freezer drawer.
- Repeat steps 5-9 for the customizable drawer.
- Tighten all screws once you are satisfied with the panel alignment.
- Slide on trim to hide the panel adjustment hardware.



- Add trim caps to cover the ends of the trim.

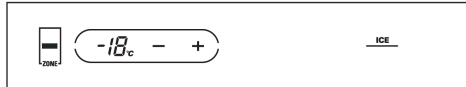


Installation instructions

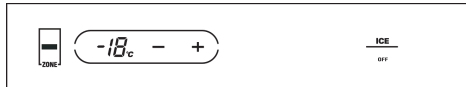
Step 13

Start icemaker

- Press the ZONE indicator on the control pad twice to select the freezer drawer. Press the ICE icon on the right side of the control. A line will appear under ICE to show that the icemaker is ON.
- Be sure nothing interferes with the sweep of the feelerarm.
- Discard the first full bucket of ice cubes.



- To turn the icemaker off, press the ICE icon. The word OFF appears below ICE to show that the icemaker is OFF.





The instructions for use can also be found on our website: www.asko.com



826992-a2

