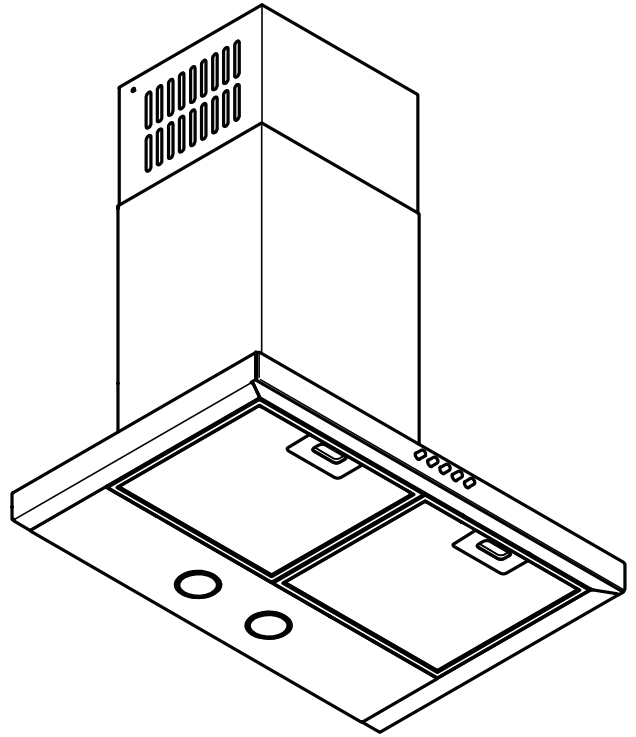


# HISENSE



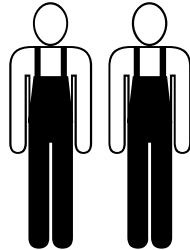
**COOKER HOOD  
CAMPANA EXTRACTORA  
HOTTE  
CAPPA ASPIRANTE  
EXAUSTOR**

**CH6T4BX / CH6T4BXUK  
CH9T4BX / CH9T4BXUK**

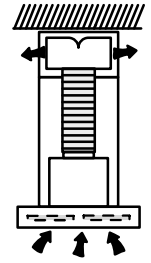
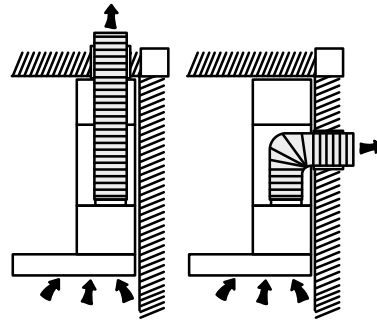
# LANGUAGES

---

7	<b>EN</b>	COOKER HOOD
11	<b>ES</b>	CAMPANA EXTRACTORA
15	<b>FR</b>	HOTTE
19	<b>IT</b>	CAPPA ASPIRANTE
23	<b>PT</b>	EXAUSTOR

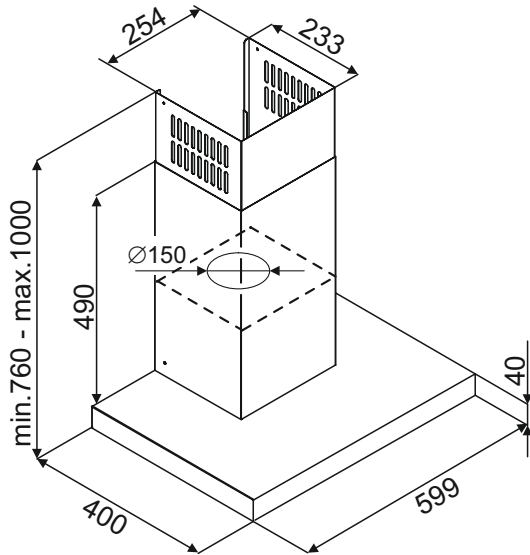


1



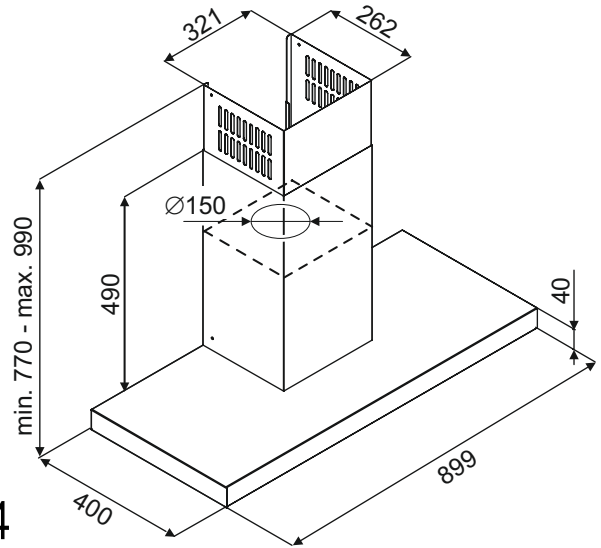
2

CH6T4BX / CH6T4BXUK

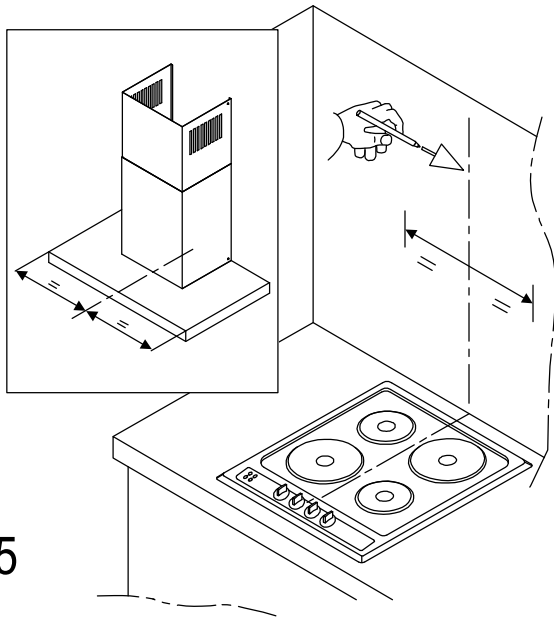


3

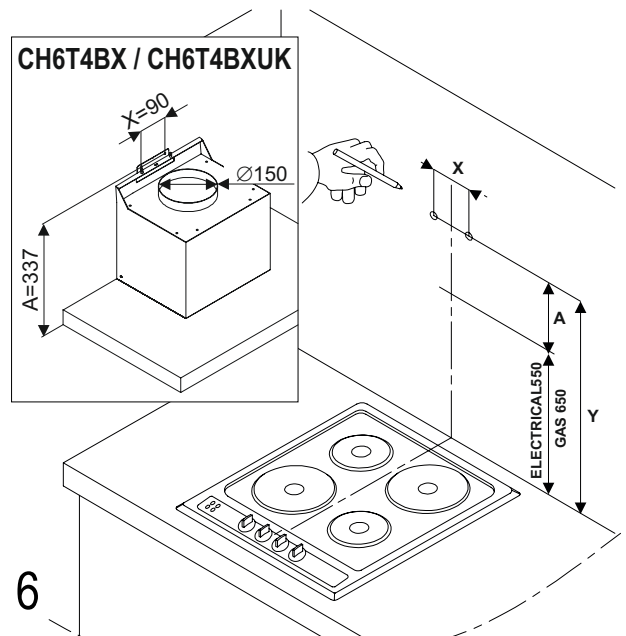
CH9T4BX / CH9T4BXUK



4

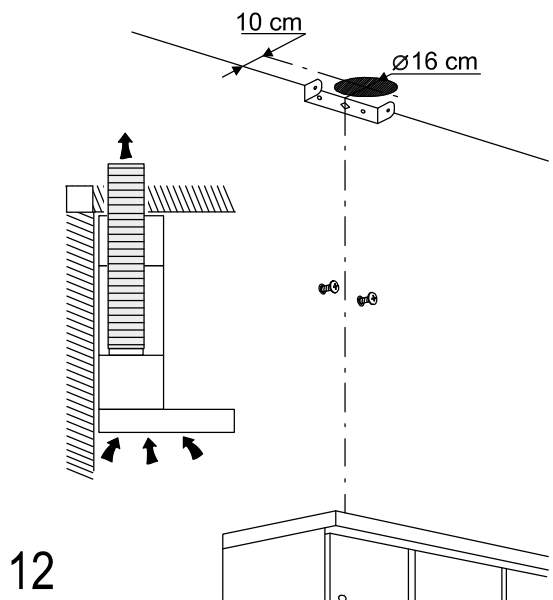
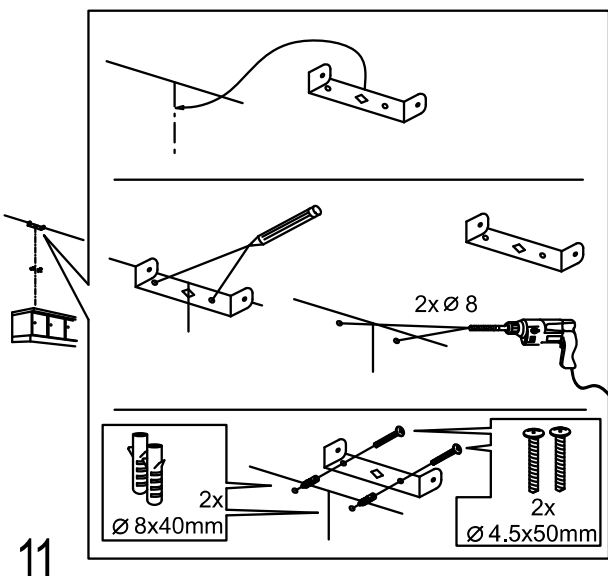
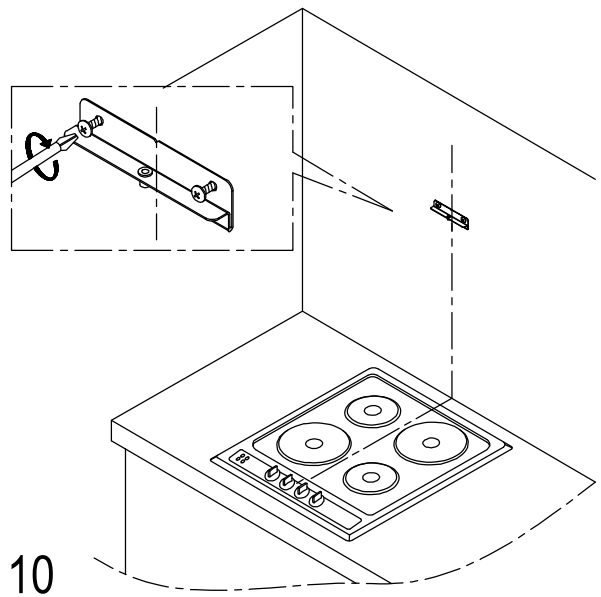
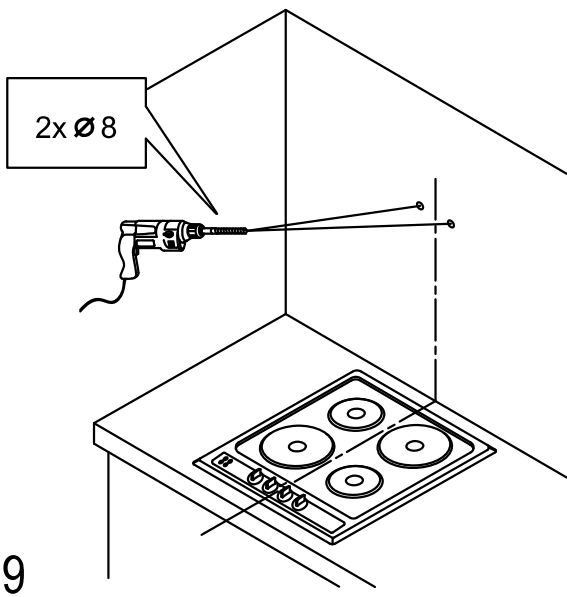
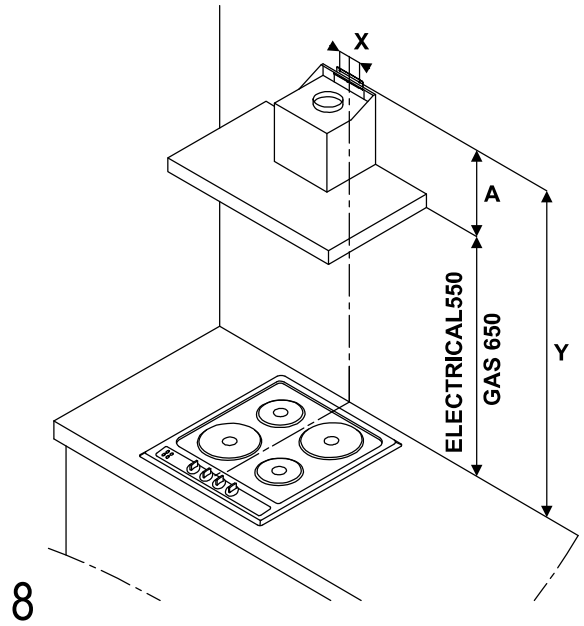
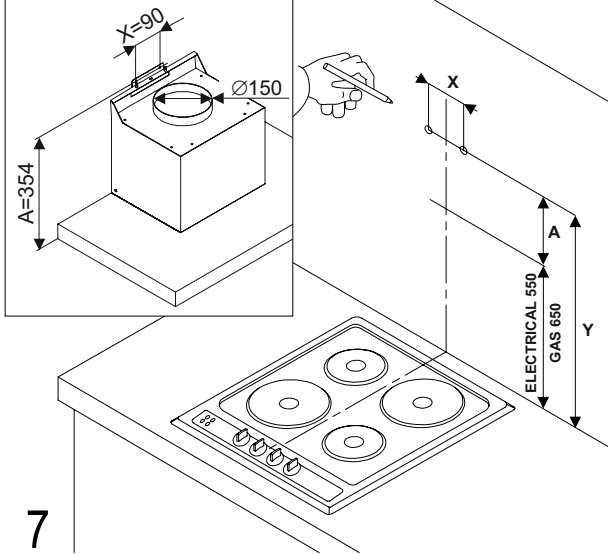


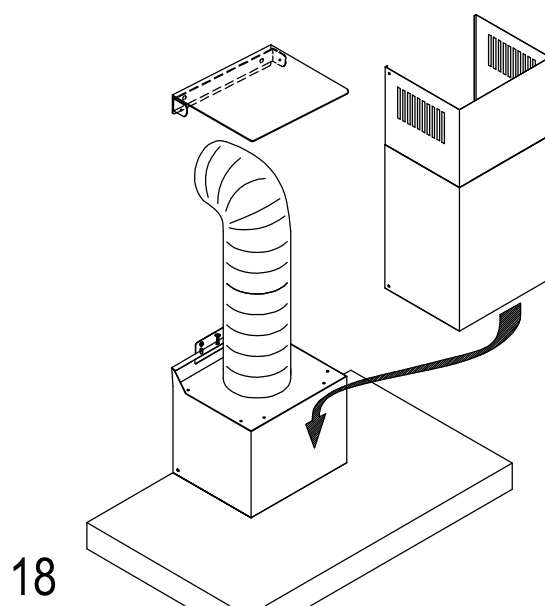
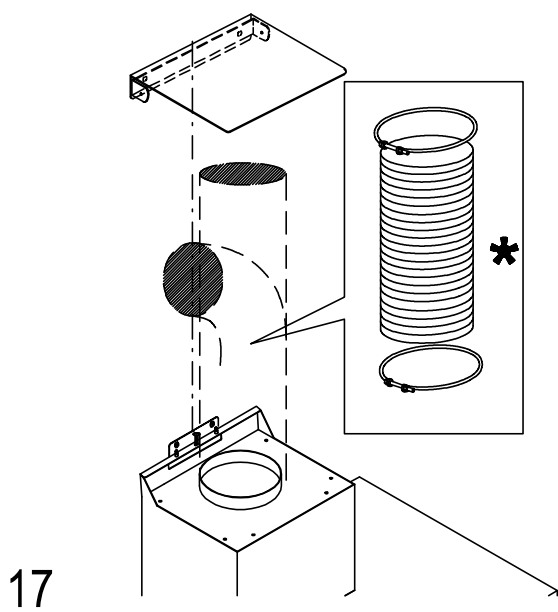
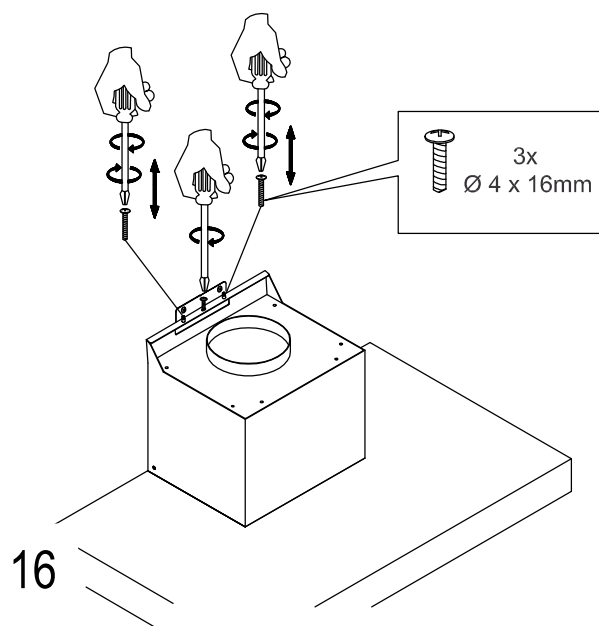
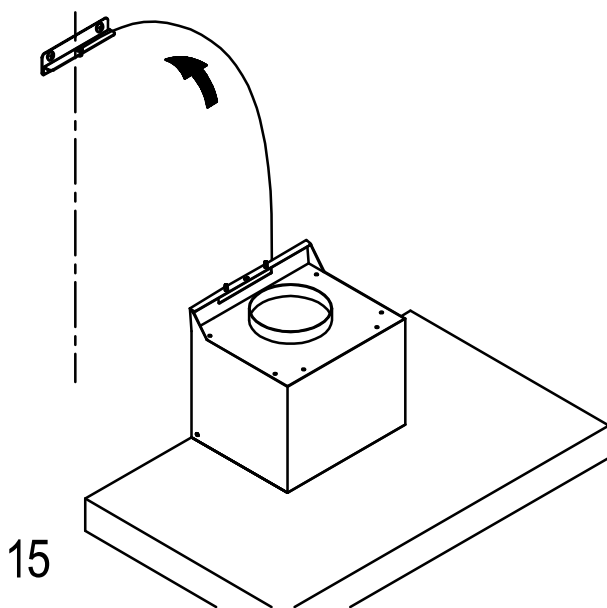
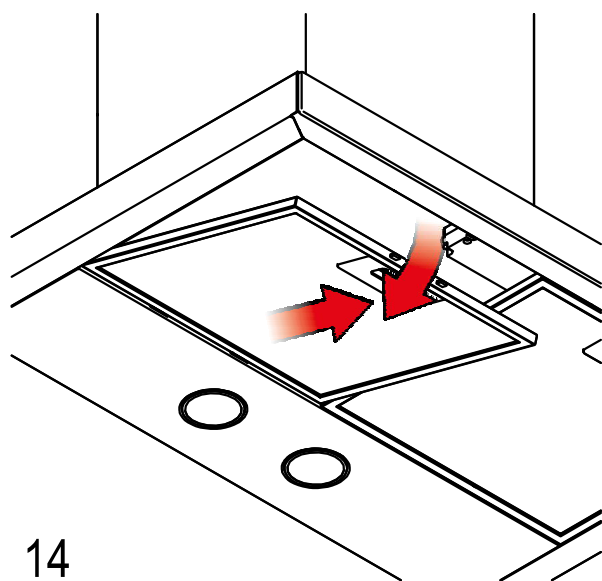
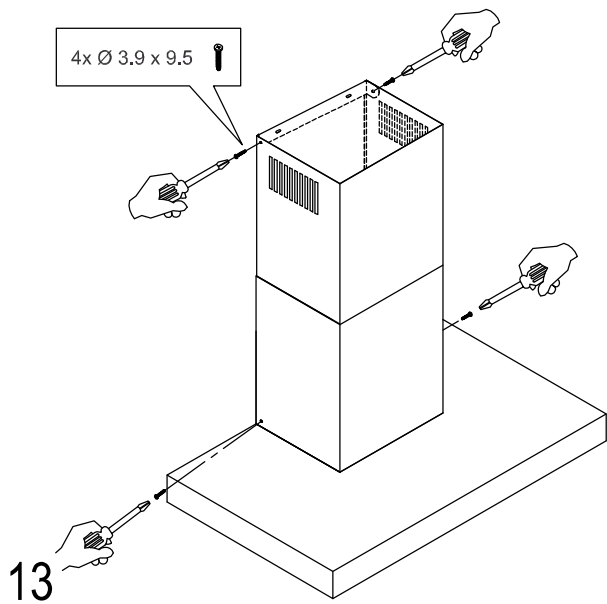
5

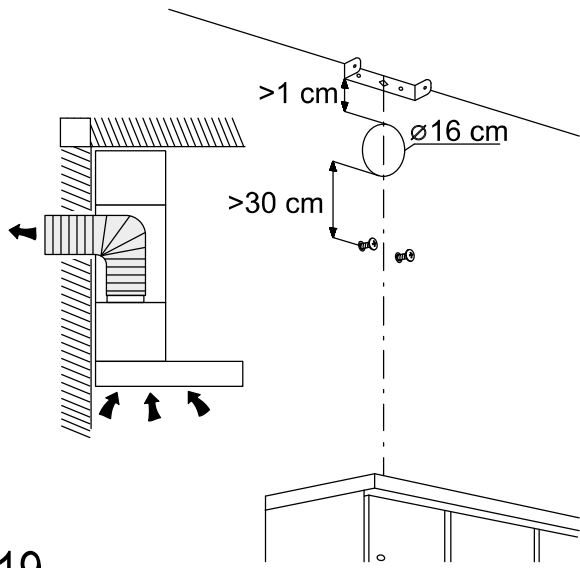


6

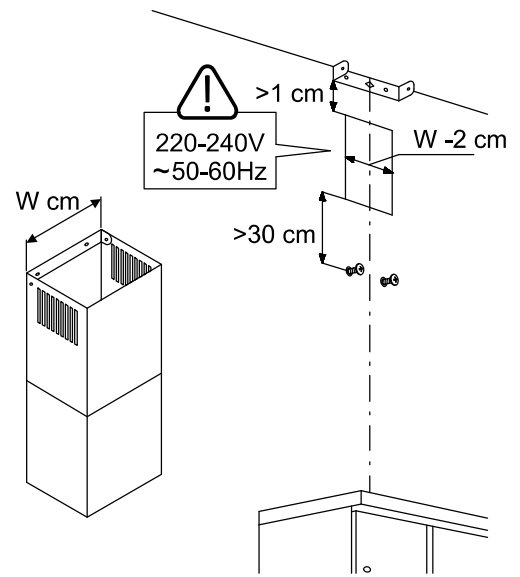
CH9T4BX / CH9T4BXUK



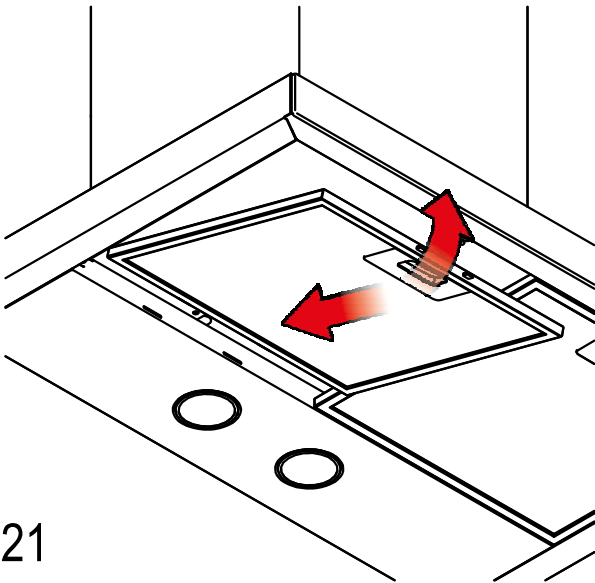




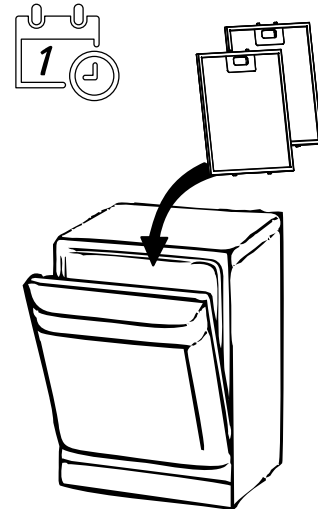
19



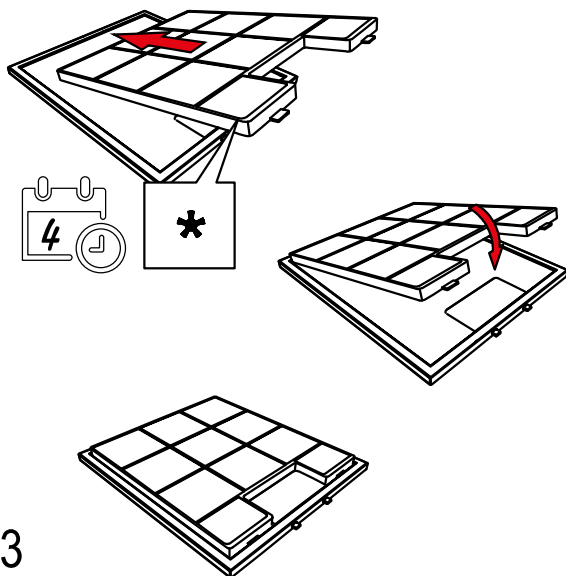
20



21



22



23

**Closely follow the instructions set out in this manual.** All responsibility, for any eventual inconveniences, damages or fires caused by not complying with the instructions in this manual, is declined. The hood is conceived for the suction of cooking fumes and steam and is destined only for domestic use.

**The hood can look different to that illustrated in the drawings in this booklet. The instructions for use, maintenance and installation, however, remain the same.**

- ! It is important to conserve this booklet for consultation at any moment. In the case of sale, cession or move, make sure it is together with the product.
- ! Read the instructions carefully: there is important information about installation, use and safety.
- ! Do not carry out electrical or mechanical variations on the product or on the discharge conduits.
- ! Before proceeding with the installation of the appliance verify that there are no damaged all components. Otherwise contact your dealer and do not proceed with the installation.

**Note:** the elements marked with the symbol “(\*)” are optional accessories supplied only with some models or elements to purchase, not supplied.



## **CAUTION WARNING!**

- ! Do not connect the appliance to the mains until the installation is fully complete.
- ! Before any cleaning or maintenance operation, disconnect hood from the mains by removing the plug or disconnecting the mains electrical supply.
- ! Always wear work gloves for all installation and maintenance operations.
- ! The appliance is not intended for use by children or persons with impaired physical, sensorial or mental faculties, or if lacking in experience or knowledge, unless they are under supervision or have been trained in the use of the appliance by a person responsible for their safety.
- ! This appliance is designed to be operated by adults, children should be monitored to ensure that they do not play with the appliance.
- ! This appliance is designed to be operated by adults. Children should not be allowed to tamper with the controls or play with the appliance.
- ! Never use the hood without effectively mounted grating!
- ! The hood must NEVER be used as a support surface unless specifically indicated.
- ! The premises where the appliance is installed must be sufficiently ventilated, when the kitchen hood is used together with other gas combustion devices or other fuels.
- ! The ducting system for this appliance must not be connected to any existing ventilation system which is being used for any other purpose such as discharging exhaust fumes from appliances burning gas or other fuels.
- ! The flaming of foods beneath the hood itself is severely prohibited.
- ! The use of exposed flames is detrimental to the filters and may cause a fire risk, and must therefore be avoided in all circumstances.
- ! Any frying must be done with care in order to make sure that the oil does not overheat and ignite.
- ! Accessible parts of the hood may become hot when used with cooking appliance.
- ! With regards to the technical and safety measures to be adopted for fume discharging it is important to closely follow the regulations provided by the local authorities.
- ! The hood must be regularly cleaned on both the inside and outside (AT LEAST ONCE A MONTH).
- ! This must be completed in accordance with the maintenance instructions provided in this manual). Failure to follow the instructions provided in this user guide regarding the cleaning of the hood and filters will lead to the risk of fires.
- ! Do not use or leave the hood without the lamp correctly mounted due to the possible risk of electric shocks.
- ! We will not accept any responsibility for any faults, damage or fires caused to the appliance as a result of the nonobservance of the instructions included in this manual.
- ! This appliance is marked according to the European directive 2002/96/EC on Waste Electrical and Electronic Equipment (WEEE). By ensuring this product is disposed of correctly, you will help prevent potential negative consequences for the environment and human health, which could otherwise be caused by inappropriate waste handling of this product.



The symbol on the product, or on the documents accompanying the product, indicates that this appliance may not be treated as household waste. Instead it should be taken to the appropriate collection point for the recycling of electrical and electronic equipment. Disposal must be carried out in accordance with local environmental regulations for waste disposal.

For further detailed information regarding the process, collection and recycling of this product, please contact the appropriate department of your local authorities or the local department for household waste or the shop where you purchased this product.

Appliance designed, tested and manufactured according to:

- **Safety:** EN/IEC 60335-1; EN/IEC 60335-2-31, EN/IEC 62233.
- **Performance:** EN/IEC 61591; ISO 5167-1; ISO 5167-3; ISO 5168; EN/IEC 60704-1; EN/IEC 60704-2-13; ISO 3741; EN 50564; IEC 62301.
- **EMC:** EN 55014-1; CISPR 14-1; EN 55014-2; CISPR 14-2; EN/IEC 61000-3-2; EN/IEC 61000-3-3.

Suggestions for a correct use in order to reduce the environmental impact: Switch ON the hood at minimum speed when you start cooking and kept it running for few minutes after cooking is finished. Increase the speed only in case of large amount of smoke and vapour and use boost speed(s) only in extreme situations. Replace the charcoal filter(s) when necessary to maintain a good odour reduction efficiency. Clean the grease filter(s) when necessary to maintain a good grease filter efficiency. Use the maximum diameter of the ducting system indicated in this manual to optimize efficiency and minimize noise.

#### **Additional Installation Specifications:**

Use only the fixing screws supplied with the product for installation or, if not supplied, purchase the correct screws type.

Use the correct length for the screws which are identified in the Installation Guide.

In case of doubt, consult an authorised service assistance centre or similar qualified person.

**WARNING!** Failure to install the screws or fixing device in accordance with these instructions may result in electrical hazards.

## **USE**

The hood is designed to be used either for exhausting or filter version.



### **Ducting version**

In this case the fumes are conveyed outside of the building by means of a special pipe connected with the connection ring located on top of the hood.

**Attention!** The exhausting pipe is not supplied and must be purchased apart.

Diameter of the exhausting pipe must be equal to that of the connection ring.

In the horizontal runs the exhausting pipe must be slightly slanted (about 10°) and directed upwards to vent the air easily from the room to the outside.

**Attention!** If the hood is supplied with active charcoal filter, then it must be removed.

Connect the hood and discharge holes on the walls with a diameter equivalent to the air outlet (connection flange).

Using the tubes and discharge holes on walls with smaller dimensions will cause a diminution of the suction performance and a drastic increase in noise.

Any responsibility in the matter is therefore declined.

- ! Use a duct of the minimum indispensable length.
- ! Use a duct with as few elbows as possible (maximum elbow angle: 90°).
- ! Avoid drastic changes in the duct cross-section.
- ! Use a duct as smooth as possible inside.
- ! The duct must be made of certified material.



### **Filter version**

One active charcoal filter is needed for this and can be obtained from your usual retailer

The filter removes the grease and smells from the extracted air before sending it back into the room through the upper outlet grid.

## **INSTALLATION**

The minimum distance between the supporting surface for the cooking equipment on the hob and the lowest part of the range hood must be not less than 55cm from electric cookers and 65cm from gas or mixed cookers.

If the instructions for installation for the gas hob specify a greater distance, this must be adhered to.



### **Electrical connection**

The mains power supply must correspond to the rating indicated on the plate situated inside the hood. If provided with a plug connect the hood to a socket in compliance with current regulations and positioned in an accessible area, after installation. If it not fitted with a plug (direct mains connection) or if the plug is not located in an accessible area, after installation, apply a double pole switch in accordance with standards which assures the complete disconnection of the mains under conditions relating to over-current category III, in accordance with installation instructions.

**Warning!** Before re-connecting the hood circuit to the mains supply and checking the efficient function, always check that the mains cable is correctly assembled.



## Mounting

Very heavy product; hood handling and installation must be carried out by at least two persons.

Before beginning installation:

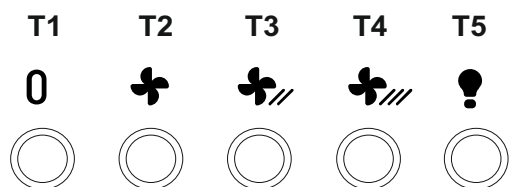
- Check that the product purchased is of a suitable size for the chosen installation area.
- Remove the charcoal (\*) filter/s if supplied (see also relative paragraph). This/these is/are to be mounted only if you want to use the hood in the filtering version.
- Check (for transport reasons) that there is no other supplied material inside the hood (e.g. packets with screws (\*), guarantees (\*), etc.), eventually removing them and keeping them.
- If possible, disconnect and move freestanding or slide-in range from cabinet opening to provide easier access to rear wall/ceiling. Otherwise put a thick, protective covering over countertop, cooktop or range to protect from damage and debris. Select a flat surface for assembling the unit. Cover that surface with a protective covering and place all canopy hood parts and hardware in it.
- In addition check whether near the installation area of the hood (in the area accessible also with the hood mounted) an electric socket is available and it is possible to connect a fumes discharge device to the outside (only suction version).
- Carry out all the masonry work necessary (e.g. installation of an electric socket and/or a hole for the passage of the discharge tube).

Expansion wall plugs are provided to secure the hood to most types of walls/ceilings. However, a qualified technician must verify suitability of the materials in accordance with the type of wall/ceiling. The wall/ceiling must be strong enough to take the weight of the hood. **Do not tile, grout or silicone this appliance to the wall. Surface mounting only.**

## OPERATION

Use the high suction speed in cases of concentrated kitchen vapours. It is recommended that the cooker hood suction is switched on for 5 minutes prior to cooking and to leave in operation during cooking and for another 15 minutes approximately after terminating cooking.

To select the functions of the hood, simply touch the controls.



T1. Stand by/ON display

T2. ON/OFF suction speed (power) 1

T3. ON/OFF suction speed (power) 2

T4. ON/OFF suction speed (power) 3

T5. ON/OFF lights

## MAINTENANCE

**ATTENTION! Before performing any maintenance operation, isolate the hood from the electrical supply by switching off at the connector and removing the connector fuse.**

**Or if the appliance has been connected through a plug and socket, then the plug must be removed from the socket.**

## Cleaning

The cooker hood should be cleaned regularly (at least with the same frequency with which you carry out maintenance of the fat filters) internally and externally. Clean using the cloth dampened with neutral liquid detergent. Do not use abrasive products. **DO NOT USE ALCOHOL!**

**WARNING:** Failure to carry out the basic cleaning recommendations of the cooker hood and replacement of the filters may cause fire risks. Therefore, we recommend observing these instructions.

The manufacturer declines all responsibility for any damage to the motor or any fire damage linked to inappropriate maintenance or failure to observe the above safety recommendations.

## Greasefilter

**Traps cooking grease particles.**

**Thegreasefilter** must be cleaned once a month using non aggressive detergents, either by hand or in the dishwasher, which must be set to a low temperature and a short cycle. When washed in a dishwasher, the grease filter may discolour slightly, but this does not affect its filtering capacity.

To remove the grease filter, pull the spring release handle.

## Charcoal filter (filter version only)

It absorbs unpleasant odours caused by cooking. The saturation of the charcoal filter occurs after more or less prolonged use, depending on the type of cooking and the regularity of cleaning of the grease filter. In any case, the filter insert should be cleaned at least every 4 months (suitable for dishwashers). The filter should be renewed after 36 months at the latest.

## Replacing lamps

Disconnect the appliance from the electricity.

**Warning!** Prior to touching the light bulbs ensure they are cooled down.

The hood is equipped with a lighting system based on LED technology.

The LEDs guarantee an optimum lighting, a duration up to 10 times as long as the traditional lamps and allow to save 90% electrical energy.

For replacement, contact the technical service.

**Atégase estrictamente a las instrucciones del presente manual.** Se declina cada responsabilidad por eventuales inconvenientes, daños o incendios provocados al aparato originados por la inobservancia de las instrucciones colocadas en este manual. La campana extractora ha sido ideada para la aspiración de humos y vapores producidos durante la cocción y para el uso doméstico.

**La campana puede ser diferente con respecto a los dibujos de este manual, aunque las instrucciones para su uso, la manutención y la instalación son las mismas.**

- ! Es importante guardar este manual para poder consultar si fuera necesario. En el caso de venta, de inutilidad o de mudanza, asegurarse que quede junto al producto.
- ! Leer atentamente las instrucciones: contiene importantes informaciones sobre la instalación, el uso y la seguridad.
- ! No realizar variaciones eléctricas o mecánicas en el producto o en el tubo de escape.
- ! Antes de instalar el aparato, controlar que todas sus partes no estén dañadas. En caso contrario llamar al revendedor y no realizar la instalación.

**NOTA:** Los particulares señalados con el símbolo “(\*)” son accesorios opcionales previstos solos en algunos modelos o no previstos, que deben comprarse aparte.



## **ADVERTENCIAS**

### **Atención!**

- ! No conectar el aparato a la red eléctrica hasta que la instalación fue completada.
- ! Antes de cualquier operación de limpieza o mantenimiento, desenchufar la campana o el interruptor general de la casa.
- ! Todas las operaciones de instalación y mantenimiento se deben realizar utilizando guantes de trabajo.
- ! El aparato no está destinado para el uso por parte de los niños o personas con problemas físicos o mentales y sin experiencia y conocimientos a menos que no sea bajo la supervisión de profesionales, o por una persona responsable de su seguridad.
- ! Los niños deben ser controlados para evitar que jueguen con el aparato.
- ! Nunca utilizar la campana sin la parrilla correctamente montada!
- ! La campana no debe ser nunca utilizada como plano de apoyo solo si es expresamente indicado.
- ! El ambiente debe poseer suficiente ventilación, cuando la campana de cocina es utilizada conjuntamente con otros aparatos a gas u otros combustibles.
- ! El aire aspirado no debe ser mezclado en un conducto para descarga de humo producidos por aparatos a gas u otros combustibles.
- ! Es prohibido cocinar alimentos con llama alta por debajo de la campana.
- ! El uso de las llamas libres puede provocar daños a los filtros y dar lugar a incendios, por lo tanto evitar en cada caso.
- ! Las frituras deben ser cocinadas bajo control para evitar que el aceite recalentado prenda fuego.
- ! Las partes accesibles pueden calentarse cuando se usan junto a aparatos para la cocción.
- ! En cuanto a las medidas técnicas y de seguridad adoptar para la descarga de humo atenerse estrictamente a las reglas de las autoridades locales.
- ! La campana se debe limpiar siempre internamente y externamente (COMO MINIMO UNA VEZ AL MES, respetando las reglas indicadas en este manual)
- ! No efectuar los consejos de limpieza de la campana y el cambio de los filtros puede provocar incendios.
- ! No utilice o deje la campana sin las lámparas correctamente montadas, debido a riesgos de cortocircuito.
- ! Se declina todo tipo de responsabilidades, daños o incendios provocados por no leer atentamente las instrucciones indicadas en este manual.
- ! Este aparato lleva el marcado CE en conformidad con la Directiva 2002/96/EC del Parlamento Europeo y del Consejo sobre residuos de aparatos eléctricos y electrónicos (RAEE).
- ! La correcta eliminación de este producto evita consecuencias negativas para el medioambiente y la salud.



El símbolo en el producto o en los documentos que se incluyen con el producto, indica que no se puede tratar como residuo doméstico. Es necesario entregarlo en un punto de recogida para reciclar aparatos eléctricos y electrónicos.

Deséchelo con arreglo a las normas medioambientales para eliminación de residuos.

Para obtener información más detallada sobre el tratamiento, recuperación y reciclaje de este producto, póngase en contacto con el ayuntamiento, con el servicio de eliminación de residuos urbanos o la tienda donde adquirió el producto.

Aparato diseñado, probado y fabricado de acuerdo con:

- **Seguridad:** EN/IEC 60335-1; EN/IEC 60335-2-31, EN/IEC 62233.
- **Prestación:** EN/IEC 61591; ISO 5167-1; ISO 5167-3; ISO 5168; EN/IEC 60704-1; EN/IEC 60704-2-13; ISO 3741; EN 50564; IEC 62301.
- **EMC:** EN 55014-1; CISPR 14-1; EN 55014-2; CISPR 14-2; EN/IEC 61000-3-2; EN/IEC 61000-3-3.

Sugerencias para un uso correcto con el fin de reducir el impacto ambiental: Encienda la campana a la velocidad mínima cuando empiece a cocinar y mantenga en marcha durante unos minutos después de haber acabado de cocinar. Aumente la velocidad solo si se produjera una gran cantidad de humo y vapor y use la velocidad o velocidades turbo solo en situaciones extremas.

Cambie el filtro o filtros de carbón cuando sea necesario para mantener un buen rendimiento en la reducción de los olores.

Limpie el filtro o filtros de grasa cuando sea necesario para mantener un buen rendimiento del filtro de grasa. Utilice el diámetro máximo

del sistema de conductos indicado en este manual, para optimizar el rendimiento y minimizar el ruido.

**ADVERTENCIA!** La falta de instalación de tornillos y elementos de fijación de acuerdo con estas instrucciones podría comportar riesgos de naturaleza eléctrica.

## UTILIZACIÓN

### Versión aspirante

La campana está diseñada para ser utilizada tanto en la forma de extracción como para la forma filtrante de interior



El vapor viene evacuado hacia el exterior a través de un tubo de escape introducido en el laro de sujeción que se encuentra arriba de la campana.

El diámetro del tubo de escape debe ser igual al diámetro del aro de sujeción.

En la parte horizontal, el tubo debe tener una ligera inclinación hacia el alto. Conectar la campana en los tubos y en los orificios de escape de pared con diámetro equivalente a la salida del aire (brida de empalme).

El uso de tubos u orificios de escape de pared con diámetro inferior, determinará una reducción de los rendimientos de la aspiración y un drástico aumento del ruido.

Se declina toda responsabilidad.

- ! Utilice un conducto cuya longitud sea la mínima indispensable.
- ! Utilice un conducto con el menor número posible de curvas (ángulo máximo de la curva: 90°).
- ! Evite los cambios drásticos en la sección del conducto
- ! Utilice un conducto cuyo interior sea lo más liso posible.
- ! El material del conducto debe estar aprobado de conformidad con las normativas.



### Versión filtrante

Se debe utilizar un filtro de carbón activo, disponible del vuestro proveedor. El aire aspirado viene reciclado antes de expulsarlo en el ambiente a través de la parrilla superior.

## INSTALACIÓN

La distancia mínima entre la superficie de cocción y la parte más baja de la campana no debe ser inferior a 55cm en el caso de cocinas eléctricas y de 65cm en el caso de cocinas a gas o mixtas.

Si las instrucciones para la instalación del dispositivo para cocinar con gas especifican una distancia mayor, hay que tenerlo en consideración.



### Conexión eléctrica

La tensión de red debe corresponder con tensión indicada en la etiqueta colocada en el interior de la campana. Si es suministrada con un enchufe, conectar la campana a un enchufe conforme a las normas en vigor y colocarlo en una zona accesible, aun después de la instalación. Si no es suministrada con enchufe (conexión directa a la red) o clavija y no es posible situarla en un lugar accesible, aun después de la instalación, colocar un interruptor bipolar de acuerdo con las normativas, para asegurarse la desconexión completa a la red en el caso de la categoría de alta tensión III, conforme con las reglas de instalación.

**Atención!** Antes de reconectar el circuito de la campana a la red y de verificar el correcto funcionamiento, controlar siempre que el cable de red fue montado correctamente.

La campana está provista de un cable de alimentación especial; si el cable se daña, solicite uno nuevo al Servicio de Asistencia Técnica.

## Montaje

Producto con peso excesivo; la campana extractora ha de ser transportada e instalada por dos o más personas.

Antes de comenzar con la instalación:

- Asegurarse que el producto adquirido, sea de las dimensiones apropiadas para la zona de instalación escogida.
- Quitar el/los filtro/s al carbón activo (\*) si es provisto (ver el párrafo relativo). Este/tos va/van montado/s nuevamente si se desea utilizar la campana en versión filtrante.
- Verificar que en el interior de la campana no hayan (por motivos de transportes) materiales suministrados (como por ejemplo bolsas con tornillos (\*), garantías (\*) etc.), eventualmente quitarlos y conservarlos.
- Si es posible desconectar o quitar los muebles debajo y alrededor del área de instalación de la campana para tener una mejor accesibilidad a la / pared al/techo, donde será instalada la campana. De todas maneras, proteger los muebles y todas las partes necesarias para la instalación. Escoger una superficie plana y cubrirla con una protección donde apoyar las piezas metálicas.
- Verificar además que en la zona cerca de la zona de instalación de la campana (con la campana montada) sea disponible un enchufe

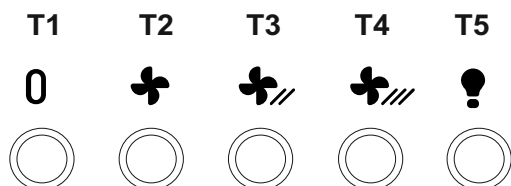
- eléctrico y una descarga para el humo hacia el exterior (solo para la versión aspirante).
- Ejecutar todos los trabajos de mampostería necesarios ( ej.: instalación de una toma de corriente y/o agujero para el pasaje del tubo de descarga).

La campana está dotada con tacos de fijación adecuados a la mayor parte de paredes/techos. De cualquier modo, conviene consultar a un técnico calificado para tener la certeza de que los materiales son adecuados a la pared / techo. La pared / el techo debe ser lo suficientemente fuerte para sostener el peso de la campana.

## FUNCIONAMIENTO

Usar la potencia de aspiración mayor en caso de particular concentración de vapores de cocina. Aconsejamos de encender la aspiración 5 minutos antes de iniciar a cocinar y dejarla en función por otros 15 minutos aproximadamente.

Para seleccionar las funciones de la campana es suficiente con tocar los controles.



T1. Stand by/ON display

T2. ON/OFF velocidad (potencia) de aspiración 1

T3. ON/OFF velocidad (potencia) de aspiración 2

T4. ON/OFF velocidad (potencia) de aspiración 3

T5. ON/OFF luces

## MANTENIMIENTO

**¡Atención! Antes de cualquier operación de limpieza o mantenimiento, retire la campana de la red eléctrica desconectando el enchufe o desconectando el interruptor general de la casa.**

### Limpieza

La campana debe ser limpiada con frecuencia tanto externamente como internamente (con la misma frecuencia con la que se realiza el mantenimiento de los filtros de grasa). Para la limpieza, utilice un paño impregnado de detergente líquido neutro. No utilice productos que contengan abrasivos. **¡NO UTILICE ALCOHOL!**

**ATENCIÓN:** De no observarse las instrucciones dadas para limpiar el aparato y sustituir el filtro, puede producirse un incendio. El fabricante recomienda leerlas y respetarlas atentamente.

El fabricante no se hace responsable por los daños al motor o los incendios provocados en el aparato debido a intervenciones de mantenimiento incorrectas o al incumplimiento de las normas de seguridad proporcionadas.

### Filtro antigrasa

**Retiene las partículas de grasa producidas cuando se cocina.**

**El filtro antigrasa metálico** debe limpiarse una vez al mes con detergentes no agresivos, manualmente o bien en lavavajillas a bajas temperaturas y con ciclo breve.

Con el lavado en el lavavajilla el filtro antigrasa metálico puede desteñirse pero sus características de filtrado no cambian absolutamente. Para desmontar el filtro antigrasa, tirar de la manija de desenganche de muelle.

### Filtro al carbón activo (solamente para la versión filtrante)

Retiene los olores desagradables producidos por el cocinado de alimentos. La saturación del carbón activado ocurre después de más o menos tiempo de uso prolongado, dependiendo del tipo de cocina y de la regularidad de limpieza del filtro de grasa. En cualquier caso, el elemento de filtro debe limpiarse por lo menos cada 4 meses (lavavajillas adecuado). Después de no más de 36 meses, el filtro debe ser renovado.

## **Sustitución de la lámpara**

Desconecte el aparato de la red eléctrica.

**Atención!** Antes de tocar las lámparas asegúrese de que estén frías.

Sustituir la lámpara dañada con una del mismo tipo como se especifica en la etiqueta correspondiente o en la campana cerca de la lámpara misma .

La campana viene provista de un sistema de iluminación basado en la tecnología LED.

Los LEDS garantizan una óptima iluminación, una duración hasta 10 veces mayor de las lámparas tradicionales y permiten aborra el 90% de energía eléctrica.

Para la sustitución dirigirse al servicio asistencia técnica.

**Suivre impérativement les instructions de cette notice.** Le constructeur décline toute responsabilité pour tous les inconvénients, dommages ou incendies provoqués à l'appareil et dus à la non observation des instructions de la présente notice. Cette hotte prévue pour l'aspiration des fumées et vapeurs de cuisson est destinée à un usage domestique exclusivement.

**La hotte peut avoir des configurations esthétiques différentes par rapport à ce qui est illustré dans les dessins de ce manuel, cependant les instructions pour l'utilisation, l'entretien et l'installation restent identiques.**

- ! Il est important de conserver ce livret pour pouvoir le consulter à tout moment. En cas de vente, de cession ou de déménagement, s'assurer qu'il reste avec le produit.
- ! Lire attentivement les instructions: il y a d'importantes informations sur l'installation, sur l'emploi et sur la sécurité.
- ! Ne pas effectuer des modifications électriques ou mécaniques sur le produit ou sur les conduit d'évacuation.
- ! Avant d'installer l'appareil, vérifiez qu'il n'y a aucun composant endommagé. Sinon, contactez votre revendeur et ne pas continuer l'installation.

**Note:** les pièces indiquées avec le symbole “(\*)” sont des accessoires optionnels qui sont fournies uniquement avec certains modèles ou des pièces non fournies qui doivent être achetées.



## **ATTENTION**

Attention!

- ! Ne pas raccorder l'appareil au circuit électrique avant que le montage ne soit complètement terminé.
- ! Avant toute opération de nettoyage ou d'entretien, débrancher la hotte du circuit électrique en retirant la prise ou en coupant l'interrupteur général de l'habitation.
- ! Munissez-vous de gants de travail avant d'effectuer toute opération d'installation et d'entretien.
- ! L'appareil n'est pas destiné à une utilisation par des enfants ou des personnes à capacités physiques, sensorielles ou mentales réduites et sans expérience et connaissance à moins qu'ils ne soient sous la supervision ou formés sur l'utilisation de l'appareil par une personne responsable de leur sécurité.
- ! Les enfants doivent être surveillés afin qu'ils ne jouent pas avec l'appareil.
- ! Ne jamais utiliser la hotte sans que la grille ne soit montée correctement!
- ! La hotte ne doit JAMAIS être utilisée comme plan pour déposer quelque chose sauf si cela est expressément indiqué.
- ! Quand la hotte est utilisée en même temps que d'autres appareils à combustion de gaz ou d'autres combustibles, le local doit disposer d'une ventilation suffisante.
- ! L'air aspiré ne doit jamais être envoyé dans un conduit utilisé pour l'évacuation des fumées produites par des appareils à combustion de gaz ou d'autres combustibles.
- ! Il est formellement interdit de faire flamber les aliments sous la hotte.
- ! L'utilisation de flammes libres peut entraîner des dégâts aux filtres et peut donner lieu à des incendies, il faut donc les éviter à tout prix.
- ! La friture d'aliments doit être réalisée sous contrôle pour éviter que l'huile surchauffée ne prenne feu.
- ! Les pièces accessibles peuvent se réchauffer de façon importante quand elles sont utilisées avec des appareils pour la cuisson.
- ! En ce qui concerne les mesures techniques et de sécurité à adopter pour l'évacuation des fumées, s'en tenir strictement à ce qui est prévu dans les règlements des autorités locales compétentes. La hotte doit être régulièrement nettoyée, aussi bien à l'intérieur qu'à l'extérieur (AU MOINS UNE FOIS PAR MOIS, respecter néanmoins les instructions relatives à l'entretien fournies dans ce manuel).
- ! La non observation de ces normes de nettoyage de la hotte et du changement et nettoyage des filtres comporte des risques d'incendie.
- ! Ne pas utiliser ou laisser la hotte sans que les ampoules soient correctement placées pour éviter tout risque de choc électrique.
- ! La société décline toute responsabilité pour d'éventuels inconvénients, dégâts ou incendies provoqués par l'appareil et dérivés de la non observation des instructions reprises dans ce manuel.
- ! Cet appareil porte le symbole du recyclage conformément à la Directive Européenne 2002/96/CE concernant les Déchets d'Équipements Électriques et Électroniques (DEEE ou WEEE).
- ! En procédant correctement à la mise au rebut de cet appareil, vous contribuerez à empêcher toute conséquence nuisible pour l'environnement et la santé de l'homme.



Le symbole présent sur l'appareil ou sur la documentation qui l'accompagne indique que ce produit ne peut en aucun cas être traité comme déchet ménager. Il doit par conséquent être remis à un centre de collecte des déchets chargé du recyclage des équipements électriques et électroniques.

Pour la mise au rebut, respectez les normes relatives à l'élimination des déchets en vigueur dans le pays d'installation.

Pour obtenir de plus amples détails au sujet du traitement, de la récupération et du recyclage de cet appareil, veuillez vous adresser au bureau compétent de votre commune, à la société de collecte des déchets ou directement à votre revendeur.



**CARTON ET PAPIER À RECYCLER**

Appareil conçu, testé et fabriqué conformément aux normes suivantes:

- Sécurité: EN/CEI 60335-1; EN/CEI 60335-2-31, EN/CEI 62233.
- Performances: EN/CEI 61591; ISO 5167-1; ISO 5167-3; ISO 5168; EN/CEI 60704-1; EN/CEI 60704-2-13; ISO 3741; EN 50564; CEI 62301.
- CEM: EN 55014-1; CISPR 14-1; EN 55014-2; CISPR 14-2; EN/CEI 61000-3-2; EN/CEI 61000-3-3.

Suggestions pour une utilisation correcte afin de réduire l'impact environnemental: Allumer la hotte à la vitesse minimum pendant la cuisson et la laisser fonctionner pendant quelques minutes après la fin de la cuisson. Augmenter la vitesse uniquement en présence d'une grande quantité de fumée ou de vapeur et n'utiliser la/les vitesse(s) accélérées que dans les cas extrêmes. Remplacer le(s) filtre(s) au charbon lorsque cela est nécessaire afin de maintenir une réduction efficace des odeurs. Nettoyer le(s) filtres à graisse lorsque cela est nécessaire afin de maintenir un filtrage efficace des graisses. Utiliser un système de tuyauterie du diamètre maximum indiqué dans ce manuel afin d'optimiser le rendement et de minimiser le bruit.

**ATTENTION!** Ne pas installer les vis et les éléments de fixation conformément à ces instructions peut entraîner des risques électriques.

## **UTILISATION**

La hotte est réalisée de façon qu'elle puisse être utilisée en version aspirante à évacuation extérieure, ou filtrante à recyclage intérieur.



### **Version évacuation extérieure**

Les vapeurs sont évacuées vers l'extérieur à travers un conduit d'évacuation fixé à la bride de raccord qui se trouve audessus de la hotte.

#### **Attention!**

Le tuyau d'évacuation n'est pas fourni et doit être acheté à part.

Le diamètre du tuyau d'évacuation doit être égal à celui de la bride de raccord.

Sur la partie horizontale, le tuyau doit avoir une légère inclinaison vers le haut (10° env.) de façon à convoyer plus facilement l'air vers l'extérieur.

Si la hotte est équipée d'un filtre à charbon, ce dernier doit être enlevé.

Relier la hotte aux tubes et trous d'évacuation de la paroi d'un diamètre équivalent à la sortie de l'air (collier de raccord).

L'utilisation de tubes et des trous d'évacuation à paroi avec un diamètre inférieur entraînera une diminution des performances d'aspiration et une nette augmentation du bruit.

Nous déclinons toute responsabilité à cet égard.

! Utiliser un tuyau de la longueur strictement nécessaire.

! Les coudes du tuyau doivent être en nombre minimale (angle maxi du coude: 90°).

! Éviter les variations excessives de section du tuyau.

! Utiliser un tuyau le plus lisse possible sur sa partie interne.

! Le matériau du tuyau doit être aux normes.



### **Version recyclage**

Il convient d'utiliser un filtre à charbon actif, disponible auprès de votre revendeur habituel.

L'air aspiré sera dégraissé et désodorisé avant d'être refoulé dans la pièce à travers la grille supérieure.

## **INSTALLATION**

La distance minimum entre la superficie de support des récipients sur le dispositif de cuisson et la partie la plus basse de la hotte de cuisine ne doit pas être inférieure à 55cm dans le cas de cuisinières électriques et de 65cm dans le cas de cuisinières à gaz ou mixtes.

Si les instructions d'installation du dispositif de cuisson au gaz spécifient une plus grande distance, il faut en tenir compte.



### **Branchement électrique**

La tension électrique doit correspondre à la tension reportée sur la plaque signalétique située à l'intérieur de la hotte. Si une prise est présente, branchez la hotte dans une prise murale conforme aux normes en vigueur et placée dans une zone accessible également après l'installation. Si aucune prise n'est présente (raccordement direct au circuit électrique), ou si la prise ne se trouve pas dans une zone accessible également après l'installation, appliquez un disjoncteur normalisé pour assurer de débrancher complètement la hotte du circuit électrique en conditions de catégorie surtension III, conformément aux réglementations de montage.

**Attention!** Avant de rebrancher le circuit de la hotte à l'alimentation électrique et d'en vérifier le fonctionnement correct, contrôlez toujours que le câble d'alimentation soit monté correctement.

La hotte est pourvue d'un câble d'alimentation spécial; en cas de détérioration du câble, en demander un neuf au service d'assistance technique.



## Montage

Appareil excessivement lourd ; la manutention et l'installation de la hotte doivent être effectuées par deux personnes ou plus.

Avant de commencer l'installation:

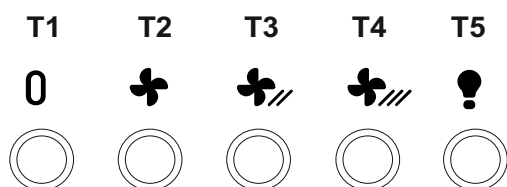
- Vérifier que le produit acheté soit de dimensions adéquates pour la zone d'installation choisie.
- Enlevez le(s) filtre(s) au charbon actif (\*) si ceux-ci sont fournis (voir également le paragraphe concerné). Celui-ci(ceux-ci) est(sont) remonté(s) uniquement si l'on veut utiliser la hotte en version recyclage.
- Vérifiez qu'à l'intérieur de la hotte il n'y est pas (pour des raisons de transport) d'autre matériel fourni avec l'équipement (par exemple: vis (\*), garanties (\*) etc., dans ce cas, enlevez-les et conservez-les.
- Protéger la cuisinière et la hotte contre d'éventuels débris et dégâts en utilisant une toile de protection. Préférer une surface plane pour l'assemblage. Couvrir cette surface d'une protection et placer tous les éléments de la hotte et de la cheminée dessus.
- Préparez le branchement électrique et veillez qu'à proximité de la zone d'installation de la hotte (dans une zone également accessible avec la hotte déjà montée), il y ait une prise électrique et qu'il soit possible de se raccorder à un dispositif d'évacuation de fumées vers l'extérieur (uniquement Version Evacuation).
- Effectuer tous les travaux de maçonnerie nécessaires (par exemple: installation d'une prise électrique et/ou trou pour le passage des tubes d'évacuation).

La hotte est équipée de chevilles de fixation convenant à la plupart des parois/plafonds. Il est cependant nécessaire de s'adresser à un technicien qualifié afin de s'assurer que le matériel est approprié au type de paroi/plafond. La paroi/plafond doit être suffisamment solide pour supporter le poids de la hotte.

## FONCTIONNEMENT

Utiliser la puissance d'aspiration maximum en cas de concentration très importante des vapeurs de cuisson. Nous conseillons d'allumer la hotte 5 minutes avant de commencer la cuisson et de la faire fonctionner encore pendant 15 minutes environ après avoir terminé la cuisson.fusé.

Pour sélectionner les fonctions de la hotte, simplement toucher les commandes.



T1. Standby/ON display

T2. ON/OFF vitesse (puissance) d'aspiration 1

T3. ON/OFF vitesse (puissance) d'aspiration 2

T4. ON/OFF vitesse (puissance) d'aspiration 3

T5. ON/OFF éclairage

## ENTRETIEN

**Attention! Avant toute opération de nettoyage ou d'entretien, débrancher la hotte du circuit électrique en enlevant la prise ou en coupant l'interrupteur général de l'habitation.**

### Nettoyage

La hotte doit être régulièrement nettoyée à l'intérieur et à l'extérieur (au moins à la même fréquence que pour l'entretien des filtres à graisse). Pour le nettoyage, utiliser un chiffon humidifié avec un détergent liquide neutre. Ne pas utiliser de produit contenant des abrasifs.

**NE PAS UTILISER D'ALCOOL!**

**ATTENTION:** Il y a risque d'incendie si vous ne respectez pas les instructions concernant le nettoyage de l'appareil et le remplacement ou le nettoyage du filtre.

La responsabilité du constructeur ne peut en aucun cas être engagée dans le cas d'un endommagement du moteur ou d'incendie liés à un entretien négligé ou au non respect des consignes de sécurité précédemment mentionnées.

### Filtre anti-gras

**Il retient les particules de graisse issues de la cuisson.**

Le filtre anti-graisse métallique doit être nettoyé une fois par mois avec des détergents non agressifs, à la main ou dans le lave-vaisselle à faibles températures et cycle rapide.

Le lavage du filtre anti-graisse métallique au lave-vaisselle peut en provoquer la décoloration. Toutefois, les caractéristiques de filtrage ne seront en aucun cas modifiées. Pour démonter le filtre anti-graisse, tirer la poignée de décrochement à ressort.

## Filtre à charbon actif (uniquement pour version recyclage)

Retient les odeurs désagréables de cuisson. La saturation du charbon actif se constate après un emploi plus ou moins long, selon la fréquence d'utilisation et la régularité du nettoyage du filtre à graisses. Dans tous les cas, l'élément filtrant doit être nettoyé au moins tous les 4 mois (lave-approprié). Après pas plus de 36 mois, le filtre doit être renouvelé.

## Remplacement des lampes

Débrancher l'appareil du réseau électrique

**Attention!** Avant de toucher les lampes, assurez-vous qu'elles soient froides.

Remplacez la vieille ampoule avec le même type tel que spécifié par l'étiquette des caractéristiques ou à proximité de l'ampoule même sur le capot.

La hotte est dotée d'un système d'éclairage basé sur la technologie LED.

Les LEDS garantissent un éclairage optimal, une durée jusqu'à 10 fois supérieures aux ampoules traditionnelles et permettent une épargne de 90% en énergie électrique.

Pour le remplacement, s'adresser au service d'assistance technique.

**Attenersi strettamente alle istruzioni riportate in questo manuale.** Si declina ogni responsabilità per eventuali inconvenienti, danni o incendi provocati all'apparecchio derivati dall'inosservanza delle istruzioni riportate in questo manuale.

La cappa è concepita per l'aspirazione dei fumi e vapori della cottura ed è destinata al solo uso domestico.

**La cappa può avere estetiche differenti rispetto a quanto illustrato nei disegni di questo libretto, comunque le istruzioni per l'uso, la manutenzione e l'installazione rimangono le stesse.**

- ! È importante conservare questo manuale per poterlo consultare in ogni momento. In caso di vendita, di cessione o di trasloco, assicurarsi che resti insieme al prodotto.
- ! Leggere attentamente le istruzioni: ci sono importanti informazioni sull'installazione, sull'uso e sulla sicurezza.
- ! Non effettuare variazioni elettriche o meccaniche sul prodotto o sulle condotte di scarico.
- ! Prima di procedere nell'installazione dell'apparecchio verificare che tutti i componenti non siano danneggiati. In caso contrario contattare il rivenditore e non proseguire con l'installazione.

**Nota:** I particolari contrassegnati con il simbolo "(\*)" sono accessori opzionali forniti solo in alcuni modelli o particolari non forniti, da acquistare.



## **AVVERTENZE**

### **Attenzione!**

- ! Non collegare l'apparecchio alla rete elettrica finché l'installazione non è totalmente completata.
- ! Prima di qualsiasi operazione di pulizia o manutenzione, disinserire la cappa dalla rete elettrica togliendo la spina o staccando l'interruttore generale dell'abitazione.
- ! Per tutte le operazioni di installazione e manutenzione utilizzare guanti da lavoro. L'apparecchio non è destinato all'utilizzo da parte di bambini o persone con ridotte capacità fisiche sensoriali o mentali e con mancata esperienza e conoscenza a meno che essi non siano sotto la supervisione o istruiti nell'uso dell'apparecchiatura da una persona responsabile per la loro sicurezza.
- ! I bambini devono essere controllati affinché non giochino con l'apparecchio.
- ! Mai utilizzare la cappa senza griglia correttamente montata!
- ! La cappa non va MAI utilizzata come piano di appoggio a meno che non sia espressamente indicato.
- ! Il locale deve disporre di sufficiente ventilazione, quando la cappa da cucina viene utilizzata contemporaneamente ad altri apparecchi a combustione di gas o altri combustibili.
- ! L'aria aspirata non deve essere convogliata in un condotto usato per lo scarico dei fumi prodotti da apparecchi a combustione di gas o di altri combustibili.
- ! È severamente vietato fare cibi alla fiamma sotto la cappa.
- ! L'impiego di fiamma libera è dannoso ai filtri e può dar luogo ad incendi, pertanto deve essere evitato in ogni caso.
- ! La frittura deve essere fatta sotto controllo onde evitare che l'olio surriscaldato prenda fuoco.
- ! Quando il piano di cottura è in funzione le parti accessibili della cappa possono diventare calde.
- ! Per quanto riguarda le misure tecniche e di sicurezza da adottare per lo scarico dei fumi attenersi strettamente a quanto previsto dai regolamenti delle autorità locali competenti.
- ! La cappa va frequentemente pulita sia internamente che esternamente (ALMENO UNA VOLTA AL MESE, rispettare comunque quanto espressamente indicato nelle istruzioni di manutenzione riportate in questo manuale).
- ! L'inosservanza delle norme di pulizia della cappa e della sostituzione e pulizia dei filtri comporta rischi di incendi.
- ! Non utilizzare o lasciare la cappa priva di lampade correttamente montate per possibile rischio di scossa elettrica.
- ! Si declina ogni responsabilità per eventuali inconvenienti, danni o incendi provocati all'apparecchio derivati dall'inosservanza delle istruzioni riportate in questo manuale.
- ! Questo apparecchio è contrassegnato in conformità alla Direttiva Europea 2002/96/EC, Waste Electrical and Electronic Equipment (WEEE). Assicurandosi che questo prodotto sia smaltito in modo corretto, l'utente contribuisce a prevenire le potenziali conseguenze negative per l'ambiente e la salute.



Il simbolo sul prodotto o sulla documentazione di accompagnamento indica che questo prodotto non deve essere trattato come rifiuto domestico ma deve essere consegnato presso l'adeguato punto di raccolta per il riciclaggio di apparecchiature elettriche ed elettroniche. Disfarsene seguendo le normative locali per lo smaltimento dei rifiuti. Per ulteriori informazioni sul trattamento, recupero e riciclaggio di questo prodotto, contattare l'adeguato ufficio locale, il servizio di raccolta dei rifiuti domestici o il negozio presso il quale il prodotto è stato acquistato.

Apparecchiatura progettata, testata e realizzata nel rispetto delle norme sulla:

- **Sicurezza:** CEI/EN 60335-1; CEI/EN 60335-2-31, CEI/EN 62233.
- **Prestazione:** CEI/EN 61591; ISO 5167-1; ISO 5167-3; ISO 5168; CEI/EN 60704-1; CEI/EN 60704-2-13; ISO 3741; EN 50564; CEI 62301.
- **EMC:** EN 55014-1; CISPR 14-1; EN 55014-2; CISPR 14-2; CEI/EN 61000-3-2; CEI/EN 61000-3-3.

Suggerimenti per un corretto utilizzo al fine di ridurre l'impatto ambientale: Quando iniziate a cucinare, accendere la cappa alla velocità minima, lasciandola accesa per alcuni minuti anche dopo il termine della cottura. Aumentare la velocità solo in caso di grandi quantità di fumo e vapore, utilizzando la funzione booster solo in casi estremi. Per mantenere ben efficiente il sistema di riduzione degli odori, sosti-

tuire, quando è necessario, il/i filtro/i carbone. Per mantenere ben efficiente il filtro del grasso, pulirlo in caso di necessità. Per ottimizzare l'efficienza e minimizzare i rumori, utilizzare il diametro massimo del sistema di canalizzazione indicato in questo manuale.

**ATTENZIONE!** La mancata installazione di viti e dispositivi di fissaggio in conformità di queste istruzioni può comportare rischi di natura elettrica.

## UTILIZZAZIONE

La cappa è realizzata per essere utilizzata in versione aspirante ad evacuazione esterna o filtrante a ricircolo interno.



### Versione aspirante

I vapori vengono evacuati verso l'esterno tramite un tubo di scarico fissato alla flangia di raccordo.

Il diametro del tubo di scarico deve essere equivalente al diametro dell'anello di connessione.

**Attenzione!** Il tubo di evacuazione non è fornito e va acquistato.

Nella parte orizzontale, il tubo deve avere una leggera inclinazione verso l'alto (10° circa) in modo da poter trasportare l'aria verso l'esterno più facilmente.

Se la cappa è provvista di filtri al carbone, questi devono essere tolti.

Collegare la cappa a tubi e fori di scarico a parete con diametro equivalente all'uscita d'aria (flangia di raccordo).

L'utilizzo di tubi e fori di scarico a parete con diametro inferiore determinerà una diminuzione delle prestazioni di aspirazione ed un drastico aumento della rumorosità.

Si declina perciò ogni responsabilità in merito.

- ! Usare un condotto lungo il minimo indispensabile.
- ! Usare un condotto con minor numero di curve possibile (angolo massimo della curva: 90°).
- ! Evitare cambiamenti drastici di sezione del condotto.
- ! Usare un condotto con l'interno più liscio possibile.
- ! Il materiale del condotto deve essere approvato normativamente.



### Versione filtrante

L'aria aspirata verrà sgrassata e deodorata prima di essere riconvogliata nella stanza. Per utilizzare la cappa in questa versione è necessario installare un sistema di filtraggio aggiuntivo a base di carboni attivi.

## INSTALLAZIONE

La distanza minima fra la superficie di supporto dei recipienti sul dispositivo di cottura e la parte più bassa della cappa da cucina deve essere non inferiore a 55cm in caso di cucine elettriche e di 65cm in caso di cucine a gas o miste.

Se le istruzioni di installazione del dispositivo di cottura a gas specificano una distanza maggiore, bisogna tenerne conto.



### Collegamento Elettrico

La tensione di rete deve corrispondere alla tensione riportata sull'etichetta caratteristiche situata all'interno della cappa. Se provvista di spina allacciare la cappa ad una presa conforme alle norme vigenti posta in zona accessibile anche dopo l'installazione. Se sprovvista di spina (collegamento diretto alla rete) o la spina non è posta in zona accessibile, anche dopo installazione, applicare un interruttore bipolare a norma che assicuri la disconnessione completa della rete nelle condizioni della categoria di sovratensione III, conformemente alle regole di installazione.

**Attenzione!** Prima di ricollegare il circuito della cappa all'alimentazione di rete e di verificarne il corretto funzionamento, controllare sempre che il cavo di rete sia stato montato correttamente.

La cappa è provvista di un cavo alimentazione speciale; in caso di danneggiamento del cavo, richiederlo al servizio assistenza tecnica.

## Montaggio

Prodotto dal peso eccessivo, la movimentazione e installazione della cappa deve essere fatta da almeno due o più persone.

Prima di iniziare con l'installazione:

- Verificare che il prodotto acquistato sia di dimensioni idonee alla zona di installazione prescelta.
- Togliere il/i filtro/i al carbone attivo se forniti (vedi anche paragrafo relativo). Questo/i va/vanno rimontato/i solo se si vuole utilizzare la cappa in versione filtrante.
- Verificare che all'interno della cappa non vi sia (per motivi di trasporto) materiale di corredo (ad esempio buste con viti, garanzie etc), eventualmente va tolto e conservato.
- Se possibile scollegare e rimuovere i mobili sottostanti ed intorno l'area di installazione (parete o soffitto) della cappa in modo da avere una migliore accessibilità. Altrimenti proteggere per quanto possibile i mobili e tutte le parti interessate all'installazione. Scegliere una

superficie piatta da coprire con una protezione dove poi appoggiare la cappa e i particolari a corredo.

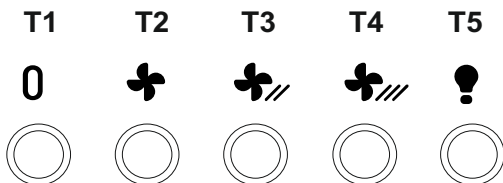
- Verificare inoltre che in prossimità della zona di installazione della cappa (in zona accessibile anche con cappa montata) sia disponibile una presa elettrica e sia possibile collegarsi ad un dispositivo di scarico fumi verso l'esterno (solo Versione aspirante).
- Eseguire tutti i lavori di muratura necessari (ad es.: installazione di una presa elettrica e/o foro per il passaggio del tubo di scarico).

La cappa è dotata di tasselli di fissaggio adatti alla maggior parte di pareti/soffitti. E' tuttavia necessario interpellare un tecnico qualificato per accertarVi sull'idoneità dei materiali a seconda del tipo di parete/soffitto. La/il parete/soffitto deve essere sufficientemente robusto da sostenere il peso della cappa.

## **FUNZIONAMENTO**

Usare la velocità maggiore in caso di particolare concentrazione di vapori di cucina. Consigliamo di accendere l'aspirazione 5 minuti prima di iniziare a cucinare e di lasciarla in funzione a cottura terminata per altri 15 minuti circa.

Per selezionare le funzioni della cappa è sufficiente sfiorare i comandi.



T1. Stand by/ON display

T2. ON/OFF velocità (potenza) di aspirazione 1

T3. ON/OFF velocità (potenza) di aspirazione 2

T4. ON/OFF velocità (potenza) di aspirazione 3

T5. ON/OFF luci

## **MANUTENZIONE**

**Attenzione! Prima di qualsiasi operazione di pulizia o manutenzione, disinserire la cappa dalla rete elettrica togliendo la spina o staccando l'interruttore generale dell'abitazione.**

### **Pulizia**

La cappa va frequentemente pulita (almeno con la stessa frequenza con cui si esegue la manutenzione dei filtri grassi), sia internamente che esternamente. Per la pulizia usare un panno inumidito con detersivi liquidi neutri.

Evitare l'uso di prodotti contenenti abrasivi. **NON UTILIZZARE ALCOOL!**

**Attenzione:** L'inosservanza delle norme di pulizia dell'apparecchio e della sostituzione dei filtri comporta rischi di incendi. Si raccomanda quindi di attenersi alle istruzioni suggerite.

Si declina ogni responsabilità per eventuali danni al motore, incendi provocati da un'impropria manutenzione o dall'inosservanza delle suddette avvertenze.

### **Filtro antigrasso**

Trattiene le particelle di grasso derivanti dalla cottura.

Il filtro antigrasso metallico deve essere pulito una volta al mese con detersivi non aggressivi, manualmente oppure in lavastoviglie a basse temperature ed a ciclo breve.

Con il lavaggio in lavastoviglie il filtro antigrasso metallico può scolorirsi ma le sue caratteristiche di filtraggio non cambiano assolutamente. Per smontare il filtro grassi tirare la maniglia di sgancio a molla.

### **Filtro ai carboni attivi (Solo per Versione Filtrante)**

Trattiene gli odori sgradevoli derivanti dalla cottura. La saturazione del filtro carbone si verifica dopo un uso più o meno prolungato a seconda del tipo di cucina e della regolarità della pulizia del filtro grassi. In ogni caso, l'elemento filtrante deve essere pulito almeno ogni 4 mesi (lavastoviglie-adatto). Dopo non più di 36 mesi, il filtro deve essere rinnovato.

## **Sostituzione Lampade**

Disinserire l'apparecchio dalla rete elettrica.

**Attenzione!** Prima di toccare le lampade sincerarsi che siano fredde.

Sostituire la lampada danneggiata con una dello stesso tipo così come specificato nell'etichetta caratteristica o vicino alla lampada stessa sulla cappa.

La cappa è dotata di un sistema di illuminazione basato sulla tecnologia LED.

I LED garantiscono una illuminazione ottimale, una durata fino a 10 volte maggiore delle lampade tradizionali e consentono di risparmiare il 90% di energia elettrica.

Per la sostituzione rivolgersi al servizio assistenza tecnica.

**Siga especificamente as instruções indicadas neste manual.** Declina-se qualquer responsabilidade por eventuais inconvenientes, danos ou incêndios provocados ao aparelho, derivantes da inobservância das instruções indicadas neste manual. A coifa foi concebida para a aspiração de fumos e vapores de cozimento e se destina exclusivamente para uso doméstico.

**Acoifa pode ter características diferentes a quanto ao ilustrado neste livrete, todavia as instruções de uso, manutenção e instalação permanecem as mesmas.**

! É importante conservar este manual para eventuais consultas futuras. Em caso de venda ou mudança, certificar-se que o manual acompanhe o produto.

! Ler cuidadosamente as instruções: elas apresentam importantes informações sobre a instalação, uso e segurança.

! Não efetuar variações elétricas ou mecânicas no produto ou nos tubos de fuga.

! Antes de prosseguir com a instalação do dispositivo, verificar todos os componentes que não sejam danificados. Caso contrário, contatar o seu fornecedor e não prosseguir com a instalação.

**Nota:** As peças que apresentam o símbolo “(\*)” são acessórios opcionais fornecidos somente em alguns modelos ou são peças que não acompanham o produto, mas que precisam ser adquiridas.



## **ADVERTÊNCIAS**

### **Atenção!**

- ! Não conectar o aparelho à rede elétrica enquanto a instalação não tiver sido totalmente completada.
- ! Antes de qualquer limpeza ou manutenção, desligar a coifa da rede elétrica tirando o plugue da tomada ou desligando o interruptor geral da alimentação elétrica.
- ! Para todas as operações de instalação e manutenção, utilize luvas adequadas para este tipo de atividade.
- ! O aparelho não é destinado para uso de crianças ou pessoas com alguma incapacidade física, motoras, ou mentais reduzidas, e também à às pessoas sem experiência ou sem conhecimentos suficientes. Devem ser de ser auxiliadas por alguém que tenha com conhecimento e capacidade competência para utilizar o aparelho.
- ! As crianças devem ser controladas de maneira que não brinquem com o aparelho.
- ! Nunca utilizar a coifa sem a grelha esteja corretamente montada!
- ! A coifa NUNCA deve ser utilizada como plano de apoio.
- ! Quando a coifa é utilizada ao mesmo tempo com outros aparelhos a combustão de gás ou outros combustíveis o local deve dispor de suficiente ventilação.
- ! O ar aspirado não deve ser transportado por meio de ductos usados para a descarga dos fumos produzidos por aparelhos a combustão de gás ou de outros combustíveis.
- ! É severamente proibido cozinhar alimentos diretamente na chama sob a coifa.
- ! O emprego de chama livre é danoso para os filtros e pode dar lugar a incêndios, portanto, deve ser absolutamente evitado.
- ! A fritura deve ser feita sob controlo de modo a evitar que o óleo superaquecido se incendeie.
- ! As partes externas podem aquecer-se notavelmente quando forem usadas com os aparelhos de cocção.
- ! No que diz respeito às medidas técnicas e de segurança a serem adoptadas para a descarga dos fumos, ater-se estritamente a quanto previsto pelos regulamentos das autoridades competentes locais.
- ! A coifa deve ser limpa frequentemente tanto interna quanto externamente (AO MENOS UMA VEZ POR MÊS, respeitando as instruções de manutenção indicadas neste manual).
- ! O não atendimento às normas de limpeza da coifa e de substituição e limpeza dos filtros pode provocar riscos de incêndio.
- ! A coifa não de ser utilizada sem lâmpadas ou com sua montagem incorreta, pois isto pode provocar risco de choque elétrico.
- ! Não nos responsabilizamos por eventuais inconvenientes, danos ou incêndios provocados ao aparelho, caso as instruções indicadas neste manual não sejam seguidas corretamente.
- ! Este aparelho está classificado de acordo com a Diretiva Europeia 2002/96/EC sobre Resíduos de equipamento elétrico e eletrónico (REEE).
- ! Ao garantir a eliminação adequada deste produto, estará a ajudar a evitar potenciais consequências negativas para o ambiente e para a saúde pública, que poderiam derivar de um manuseamento de desperdícios inadequado deste produto.



O símbolo no produto, ou nos documentos que acompanham o produto, indica que este aparelho não pode receber um tratamento semelhante ao de um desperdício doméstico. Pelo contrário, deverá ser depositado no respectivo centro de recolha para a reciclagem de equipamento eléctrico e electrónico. A eliminação deverá ser efectuada em conformidade com as normas ambientais locais para a eliminação de desperdícios. Para obter informações mais detalhadas sobre o tratamento, a recuperação e a reciclagem deste produto, contate o Departamento na sua localidade, o seu serviço de eliminação de desperdícios domésticos ou a loja onde adquiriu o produto.

Aparelho projetado, testado e fabricado de acordo com:

- **Segurança:** EN/IEC 60335-1; EN/IEC 60335-2-31, EN/IEC 62233.
- **Desempenho:** EN/IEC 61591; ISO 5167-1; ISO 5167-3; ISO 5168; EN/IEC 60704-1; EN/IEC 60704-2-13; ISO 3741; EN 50564; IEC 62301.
- **EMC:** EN 55014-1; CISPR 14-1; EN 55014-2; CISPR 14-2; EN/IEC 61000-3-2; EN/IEC 61000-3-3.



Sugestões para uma utilização correta, de modo a reduzir o impacto ambiental: LIGUE a coifa na velocidade mínima quando começar a cozinhar e mantenha-a em função por mais alguns minutos após ter terminado. Aumente a velocidade somente em caso de muita fumaça ou vapor e use as velocidades altas somente em situações extremas. Substitua o(s) filtro(s) a carvão quando necessário, para manter uma boa eficiência na redução dos odores. Limpe o(s) filtro(s) para gordura quando necessário para manter uma boa eficiência do filtro para gordura. Use o diâmetro máximo do sistema de condutas indicado neste manual para otimizar a eficiência e minimizar o ruído.

**ATENÇÃO!** A não instalação dos parafusos e elementos de fixação, conforme estas instruções, pode resultar em riscos elétricos.

## USO

A coifa é fabricada para ser utilizada na versão aspirante, com exaustão externa do ar, ou filtrante, com recirculação interna.



### Versão aspirante

Os vapores são evacuados para o exterior por meio de um tubo de descarga fixado à flange de conexão que se encontra sobre o exaustor. O diâmetro do tubo de descarga deve ser equivalente ao diâmetro do anel de conexão.

Na parte horizontal o tubo deve ter uma leve inclinação para cima (cerca de 10°) de modo a poder transportar o ar para fora mais facilmente.

Se o exaustor for dotada de filtros de carvão ativo, estes deverão ser tirados.

Conectar a coifa ao tubo e orifícios de descarga de parede com diâmetro equivalente à saída de ar (flange de união).

O uso de tubos ou orifícios de descarga de parede com diâmetro inferior pode provocar a diminuição da performance de aspiração e um drástico aumento do ruído.

Não nos responsabilizamos a este respeito.

- ! Utilizar um tubo condutor com o comprimento não inferior ao indicado.
- ! Utilizar um tubo condutor com o menor número possível de curvas (ângulo máximo da curva: 90°/90°).
- ! Evitar alterações drásticas da seção do tubo (diâmetro).
- ! Usar um tubo condutor com o interior mais liso possível.
- ! O material do tubo condutor deve ser aprovado e estar em conformidade com a lei.



### Versão filtrante

Deve ser utilizado um filtro de carvão ativo, disponível junto ao seu revendedor. O ar aspirado será desengordurado e desodorizado antes de ser reintroduzido no ambiente através da grelha superior.

## INSTALAÇÃO

A distância mínima entre a superfície de suporte dos recipientes sobre o fogão e a parte mais baixa da coifa não deve ser inferior a 55cm no caso de fogões elétricos e 65cm no caso de fogões a gás ou combinados.

Se as instruções de instalação do fogão a gás especificarem uma distância maior, deve-se levar em conta esta indicação.



### Conexão elétrica

A voltagem da rede elétrica deve corresponder à voltagem indicada na etiqueta das características situada no interior da coifa. Se dotada de ficha, conectar a coifa a uma tomada em conformidade com as normas vigentes posta em zona acessível, mesmo depois da instalação. Se não dotada de ficha (conexão direta à rede) ou a tomada não se encontra em zona acessível, mesmo depois da instalação, aplicar um interruptor bipolar em conformidade com a norma que assegure a desconexão completa da rede nas condições da categoria de sobretenção III, conformemente às regras de instalação.

**Atenção!** Antes de conectar novamente o circuito da coifa com a alimentação elétrica, verificar seu funcionamento, atentar sempre para que o cabo de rede esteja montado corretamente.

O exaustor está equipado com um cabo de alimentação especial; no caso do cabo ficar danificado, efectuar um pedido ao serviço de assistência técnica.

## Montagem

Produto com peso excessivo. A movimentação e a instalação do exaustor devem ser feitas por pelo menos duas ou mais pessoas.

Antes de iniciar a instalação:

- Verificar que o produto adquirido tenha dimensões adequadas para a área escolhida de instalação.
- Tirar o/s filtro/s de carvão ativado (\*) se fornecidos (ver também o parágrafo relativo). Este/s deve/m ser remontado/s somente caso se deseje utilizar a coifa na versão filtrante.
- Verificar que dentro da coifa não haja (por motivos de transporte) materiais extras (por exemplo envelopes com parafusos (\*), garantias (\*) etc.), eventualmente tirar e conservar.



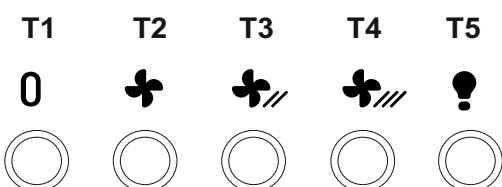
- Se possível desconectar e deslocar a instalação solta ou fazer correr o vidro abrindo-o de modo a acessar mais facilmente a parede na parte traseira. Caso contrário, colocar uma cobertura espessa e protetiva sobre a bancada e o plano de cozimento para protegê-los contra danos ou entulho. Selecionar uma superfície plana para montar a unidade. Cobrir tal superfície com uma cobertura de proteção e colocar em seu interior todas as partes da coifa e as ferramentas.
- Além disso, verificar que nas proximidades da área de instalação da coifa (em área acessível também com a coifa montada) uma tomada elétrica se encontre a disposição e seja possível conectar-se a um dispositivo de descarga fumos para o externo (somente Versão aspirante).
- Executar todos os trabalhos de alvenaria necessários (por ex: instalação de uma tomada elétrica e/ou tubo para a passagem do tubo de descarga).

A coifa é dotada de buchas de fixação adequadas à maior parte das paredes/tetos.No entanto é necessário que um técnico qualificado faça sua instalação. A parede/teto deve ser suficientemente robusta para suportar o peso da coifa.

## **FUNCIONAMENTO**

Usar a potência de aspiração no caso de uma maior concentração de vapor de cozimento. Aconselhamos ligar a aspiração 5 minutos antes de iniciar a cozinhar e de deixá-la em funcionamento por aproximadamente 15 minutos após o término do cozimento.

Para selecionar as funções do exaustor, é suficiente tocar levemente os comandos.



T1. Stand by/ON display

T2. ON/OFF velocidade (potência) de aspiração 1

T3. ON/OFF velocidade (potência) de aspiração 2

T4. ON/OFF velocidade (potência) de aspiração 3

T5. ON/OFF luzes

## **MANUTENÇÃO**

**Atenção! Antes de qualquer operação de limpeza ou manutenção, desconectar a coifa da rede elétrica tirando o plugue da tomada ou desligando o interruptor geral da alimentação elétrica.**

### **Limpeza**

O exaustor deve ser limpo frequentemente, interna e externamente (pelo menos com a mesma frequência com a qual se efectua a manutenção dos filtros antigorduras).

Para a limpeza use um pano umedecido com detergentes líquidos neutros. Evite o uso de produtos contendo abrasivos.

#### **NÃO UTILIZE ÁLCOOL!**

**Atenção:** O não cumprimento das instruções fornecidas para a limpeza do aparelho e para a limpeza ou substituição do filtro pode provocar riscos de incêndio.

O fabricante não se responsabiliza por danos causados ao motor ou decorrentes de incêndio, provocados por uma manutenção inadequada ou pelo não cumprimento das indicações de segurança citadas neste manual.

### **Filtro antigordura**

Capta as partículas de gordura derivantes do cozimento.

O Filtro de gordura deve ser limpo uma vez por mês com detergentes não agressivos. O filtro pode ser lavado manualmente ou em máquina de lavar louça a baixas temperaturas e com ciclo breve.

O filtro metálico para a gordura pode perde cor com as lavagens na máquina da louça, mas suas características de filtração não se alteram. Para desmontar o filtro anti gordura puxe o puxador de libertação com mola.

## Filtro de carvão vegetal (somente versão de filtro)

Ele absorve odores desagradáveis causados pela culinária. A saturação do filtro de carvão ocorre após um uso mais ou menos prolongado, dependendo do tipo de cozimento e da regularidade da limpeza do filtro de graxa. Em qualquer caso, a inserção do filtro deve ser limpa pelo menos a cada 4 meses (adequado para máquinas de lavar louça). O filtro deve ser renovado após 36 meses, o mais tardar.

## Substituição das lâmpadas

Desligar o aparelho da rede elétrica;

**Atenção!** Antes de tocar as lâmpadas, certificar-se que estejam frias.

Substituir a lâmpada queimada com outra do mesmo tipo, conforme especificado na etiqueta de características ou perto da própria lâmpada no exaustor.

A coifa é dotada de um sistema de iluminação baseada na tecnologia LED.

Os LED garantem uma iluminação melhor e uma duração de até 10 vezes maior que as lâmpadas tradicionais e economizam 90% de energia elétrica. Para a substituição contatar o serviço de assistência técnica.











