

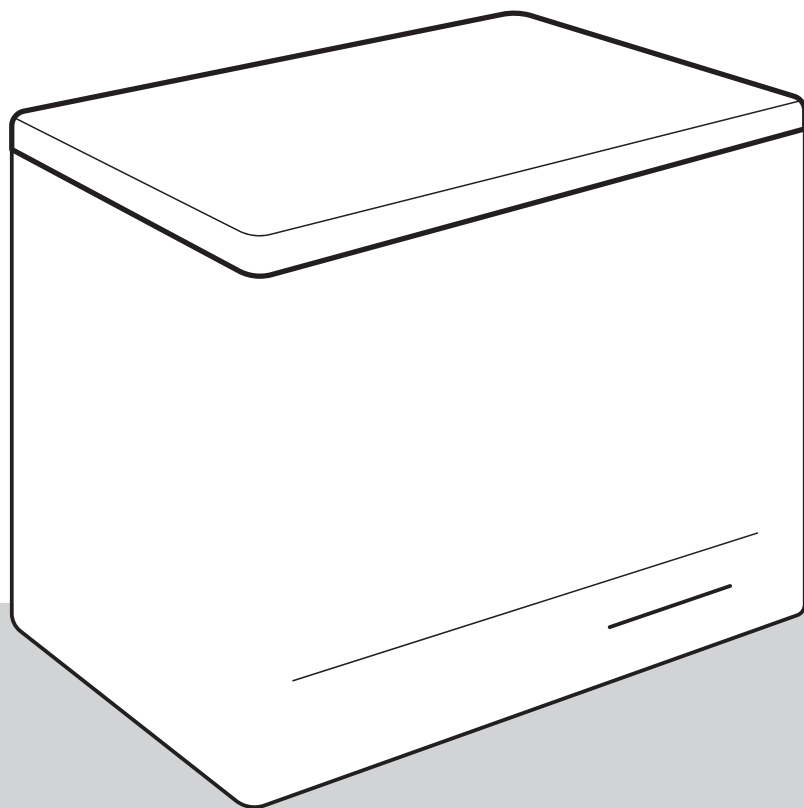
gorenje

EN

GB

IE

**DETAILED INSTRUCTIONS
FOR USE OF FREEZER
CHEST**



We thank you for the confidence you have shown by purchasing our appliance which is designed to simplify your life. To make the use of the product easier, we have supplied detailed instructions for use. The instructions should allow you to learn about your new appliance as quickly as possible.

Please visit our website where you can enter your appliance model number, indicated on the rating plate or the warranty sheet, to find detailed description of your appliance, tips on use, troubleshooting, service information, instructions for use etc.



<http://www.gorenje.com>

Link to the EU EPREL database

The QR code on the energy label supplied with the appliance provides a web link to the registration of this appliance in the EU EPREL database. Keep the energy label for reference together with the user manual and all other documents provided with this appliance. It is possible to find information related to the performance of the product in the EU EPREL database using the link <https://eprel.ec.europa.eu> and the model name and product number that you can find on the rating plate of the appliance. For more detailed information about the energy label, visit www.theenergylabel.eu.

The appliance is intended solely for household use.

The freezer chest is intended for use in household, for freezing fresh food and long-term storage of frozen food (up to one year, depending on the type of food). Temperature in the appliance interior is -18 °C or lower.

The following symbols are used throughout the manual and they have the following meanings:



INFORMATION!

Information, advice, tip, or recommendation



WARNING!

Warning – general danger



ELECTRIC SHOCK!

Warning – danger of electric shock



DANGER OF FIRE!

Warning – danger of fire

Contents

Important notes and precautions	4
Before using the appliance for the first time	4
Important safety instructions	4
Important information on the use of appliance	7
Environment protection	9
Advice for saving power with freezer chests	10
Installation and connection	11
Selecting the room	11
Connecting the appliance	12
Description of the appliance	13
Installing the handle and latch	14
Operating the appliance	15
Switching the appliance on/off	15
Adjusting the temperature in the appliance	16
Intensive freezing (super freeze) function	17
High temperature alarm	17
Freezing and storing frozen food	18
Freezing procedure	18
Important warnings on freezing	18
Storing industrially frozen food	18
Avoid contamination of food	18
Frozen food storage time	19
Thawing frozen food	19
Defrosting the appliance	20
Cleaning the appliance	21
Troubleshooting	22
Information about appliance noise	24

Important notes and precautions

Before using the appliance for the first time

Before connecting the appliance to the power mains, please read carefully the instructions for use which describe the appliance and its correct and safe use. The instructions apply to several appliance types/models; thus, settings or equipment may be described herein which is not available in your appliance. We recommend saving this instruction manual for future reference and attach it to the appliance if it is sold in the future.

Check for any damage or irregularities on your appliance. If you find your appliance is damaged, notify the retailer from which you have purchased the appliance.

Before connecting the appliance to the power mains, let the appliance rest in a vertical position for a minimum of 2 hours. This will reduce the possibility of operation faults due to the effect of transport on the cooling system.

Important safety instructions



DANGER OF FIRE!

WARNING! Risk of fire/flammable materials.

The appliance must be connected to the power mains and grounded in compliance with the effective standards and regulations.

WARNING! Do not locate multiple portable socket-outlets or portable power supplies at the rear of the appliance.

Before cleaning the appliance, unplug it from the power mains (unplug the power cord from the wall outlet).

ELECTRIC SHOCK!

WARNING! If the supply cord is damaged, it must be replaced by the manufacturer, its service agent or similarly qualified persons in order to avoid a hazard.

**ELECTRIC SHOCK!**

WARNING! When positioning the appliance, ensure the supply cord is not trapped or damaged.

**ELECTRIC SHOCK!**

If LED lighting does not work, call a service technician. Do not attempt a repair of the LED lighting yourself, as there is danger of contact with high voltage!

**WARNING!**

WARNING! Do not use electrical appliances inside the food storage compartments of the appliance, unless they are of the type recommended by the manufacturer.

**WARNING!**

WARNING! Do not use mechanical devices or other means to accelerate the defrosting process, other than those recommended by the manufacturer.

**WARNING!**

WARNING! To avoid any hazard resulting from poor stability of the appliance, make sure it is installed as instructed.

Freeze burn hazard

Never put frozen food in your mouth and avoid touching frozen food as this may cause frostnip or frostbite.

Safety of children and vulnerable persons

The appliance is not intended for use by persons (including children) with reduced physical, sensory or mental capabilities, or lack of experience and knowledge, unless they have been given supervision or instruction concerning use of the appliance by a person responsible for their safety.

Children should be supervised to ensure that they do not play with the appliance.

Cleaning and user maintenance shall not be made by children without supervision.

Remove the packaging intended to protect the appliance or particular parts during transport and keep it outside the reach of children. It presents danger of injury or suffocation.

When removing a used appliance, disconnect the power cord, remove the door, and leave the shelves in the appliance. This will prevent children from locking themselves in the appliance.

For European markets only

This appliance can be used by children aged from 8 years and above and persons with reduced physical, sensory or mental capabilities or lack of experience and knowledge if they have been given supervision or instruction concerning use of the appliance in a safe way and understand the hazards involved.

Children shall not play with the appliance.

Cleaning and user maintenance shall not be made by children without supervision.

Children aged from 3 to 8 years are allowed to load and unload refrigerating appliances.

Warning regarding the refrigerant

The appliance contains a small amount of an environmentally friendly yet flammable gas R600a. Make sure that no parts of the cooling system are damaged. A gas leak is not hazardous to the environment, but it could cause eye injury or fire.

In case of a gas leak, ventilate the room thoroughly, disconnect the appliance from the power mains, and call a service technician.

Important information on the use of appliance



WARNING! This appliance is intended to be used in household and similar applications such as:

- staff kitchen areas in shops, offices and other working environments;
- farm houses and by clients in hotels, motels and other residential type environments;
- bed and breakfast type environments;
- catering and similar non-retail applications.

⚠ WARNING!

WARNING! Keep ventilation openings, in the appliance enclosure or in the built-in structure, clear of obstruction.

The appliance may not be used outdoors and it may not be exposed to rain.

Do not store explosive substances such as aerosol cans with a flammable propellant in this appliance.

If the appliance will be out of use for an extended period of time, switch it off using the relevant button, and unplug it from the power mains. Empty the appliance, defrost it, clean it, and leave the door ajar.

In case of an error or power supply failure, do not open the freezer compartment unless the freezer has not operated for over 16 hours. After this period, use the frozen food or provide sufficient cooling (e.g. a replacement appliance).

Technical information on the appliance

Rating plate can be found in the appliance interior. It indicates data on voltage, gross and net volume, type and amount of refrigerant, and information on the climate classes.

If the language on the rating plate is not the language of your choice or the language of your country, replace it with the one supplied.

⚠ WARNING!

WARNING! Do not damage the refrigerant circuit. This will also prevent pollution.

Environment protection

Packaging is made of environmentally friendly materials that can be recycled, disposed of, or destroyed without any hazard to the environment.

Removing an obsolete appliance

To protect the environment, take the obsolete appliance to an authorized home appliance collection centre.

Before doing so, do the following:

- disconnect the appliance from the power mains;
- do not allow children to play with the appliance.



■ The symbol on the product or its packaging indicates that the product should not be treated as normal household waste. The product should be taken to an authorized collection centre for waste electric and electronic equipment processing. Correct disposal of the product will help prevent any negative effects on the environment and health of people which could occur in case of incorrect product removal. For detailed information on removal and processing of the product, please contact the relevant municipal body in charge of waste management, your waste disposal service, or the store where you bought the product.

Advice for saving power with freezer chests

- Install the appliance as specified in the instruction manual.
- If the gasket is damaged or does not provide a perfect seal for any reason, have it replaced as soon as possible.
- Before placing the food in the appliance, cool it to room temperature.
- We recommend defrosting and cleaning the appliance once to twice a year.
- Do not open the lid more often than necessary. Frequent opening will increase the temperature in the chest and result in excessive formation of frost, and thus higher power consumption.
- Do not keep the chest open for too long. This is particularly important when the weather is warm and humid.
- Every failure to heed the instructions in the sections »Installing the appliance« and »Saving power« may lead to higher power consumption.
- Allow at least 2–3 centimetres of clearance around the chest for free circulation of air.

Installation and connection

Selecting the room

Install the appliance in a dry and well ventilated room. The appliance will operate correctly if the environment temperature is in the interval specified in the table. The appliance class is indicated on the rating plate / label with the basic information on the appliance.

Description	Class	Ambient temperature range °C	Relative humidity
Extended temperate	SN	+10 to +32	≤75%
Temperate	N	+16 to +32	
Subtropical	ST	+16 to +38	
Tropical	T	+16 to +43	



INFORMATION!

This appliance functions at temperatures down to -15 °C, if you carefully observe the instructions below.

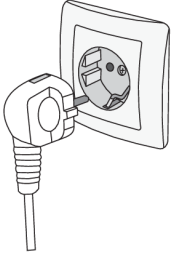
- After installation, the appliance plug has to be readily accessible.
- This appliance is not intended to be used as a build-in appliance.
- Do not place the appliance near other appliances or devices that radiate heat, such as a cooker, a stove, a radiator, water heater etc., and do not expose it to direct sunlight. The appliance should stand at least 3 cm away from an electric or gas cooker or at least 30 cm away from an oil or solid fuel stove. If the distance between such source of heat and the appliance is smaller, use an insulating panel.
- A humid basement or cellar, balcony, or any place where the chest could be exposed to direct sunlight, are not suitable locations for installing the freezer chest. The freezer chest must be placed on dry and sufficiently solid surface which allows it to stand stably and horizontally even when fully loaded.
- The appliance should not be integrated in a cupboard or other furniture. Allow at least 2–3 centimetres of clearance around the chest for free circulation of air.
- Clearance from the wall on the back (behind the freezer chest) is determined by the hinge.
- The appliance is fitted with a condenser unit which radiates heat into the environment. The condenser unit is installed directly underneath the sheet metal layer on the back and front wall of the appliance. For correct operation, allow sufficient cooling of these surfaces; do not block them or line them with any objects.



WARNING!

The freezer chest is mounted on casters that cannot be blocked. Therefore, it is very important that it stand on level floor, as it could otherwise slide away or move around, which in turn could result in damage.

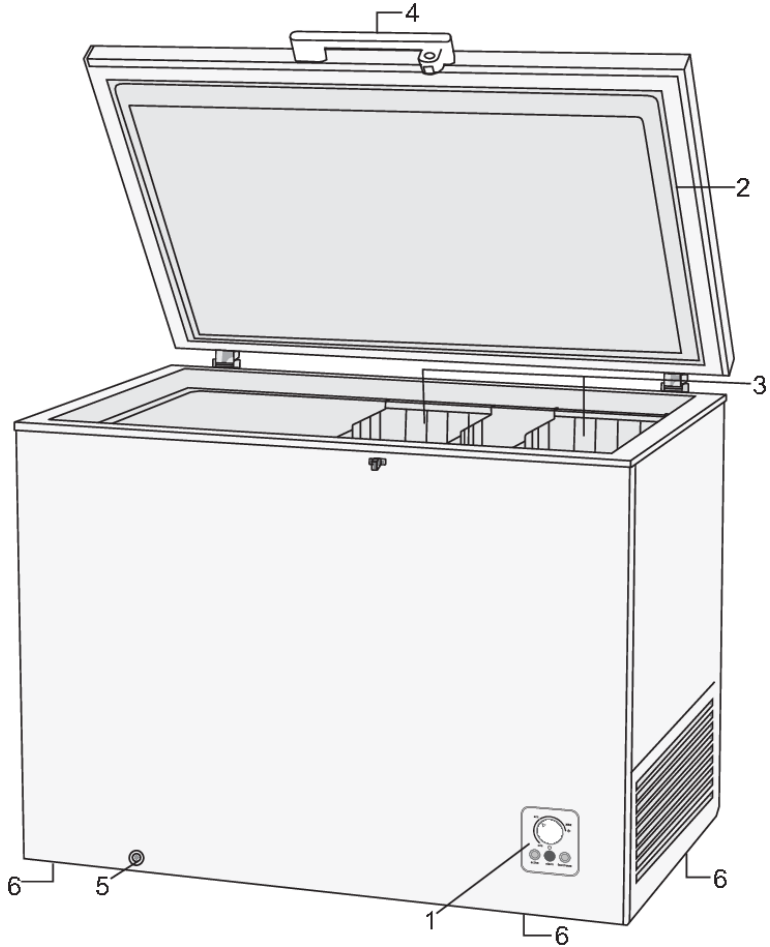
Connecting the appliance



- Connect the appliance to the power mains using the power cord. The wall outlet should be fitted with a ground contact (safety socket). Nominal voltage and frequency are indicated on the rating plate/label with basic information on the appliance.
- The appliance must be connected to the power mains and grounded in compliance with the effective standards and regulations. The appliance will withstand short-term deviations from the nominal voltage, but not more than $\pm 6\%$.

Description of the appliance

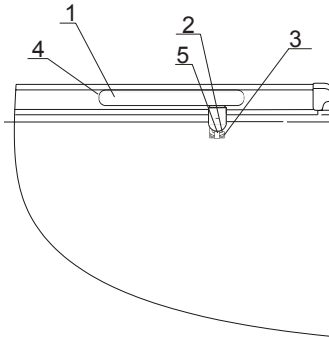
This product contains a light source of energy efficiency class G.



1. Control panel
2. Lid
3. Basket (number of baskets depends on the model)
4. Handle with a lock
5. Water drain plug for appliance defrosting or cleaning
6. Casters

Installing the handle and latch

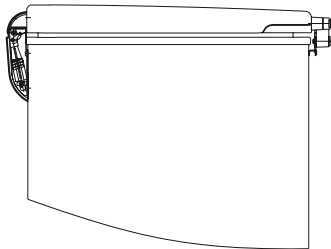
1. Handle installation:



1. Handle cover
2. Latch
3. Screw
4. Handle
5. Bottom part of the latch

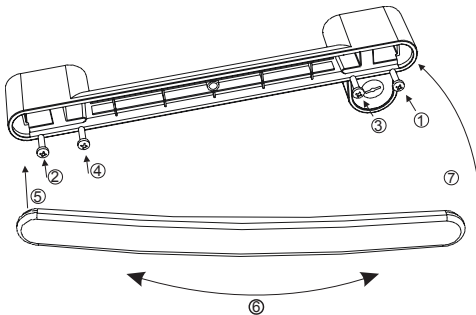
- Remove the four screws and washers from the appliance lid.
- Place the handle in the right position and attach it firmly using the screws and washers.

2. Latch installation:

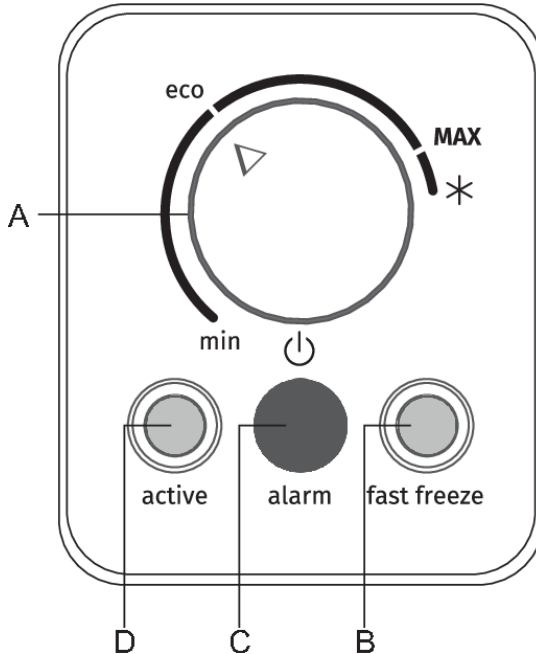


- Remove the two screws from the appliance housing.
- Hold the bottom part of the latch against the housing and tighten the cross (Philips) screws tightly.

3. Attaching the handle cover to the handle:

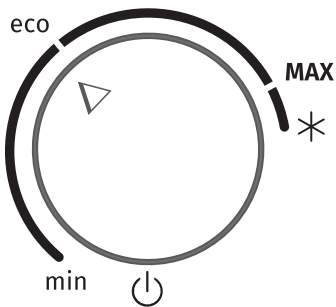


Operating the appliance

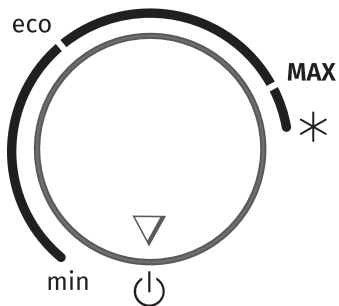



- A. **Temperature setting – appliance on/off knob**
- B. **Signal light on:** intensive freezing function is activated
- C. **Signal light on:** high temperature alarm
- D. **Signal light on:** the appliance is powered (there is voltage in the appliance)

Switching the appliance on/off



Switching on the appliance: Rotate the **A** knob clockwise towards the **MAX** position.



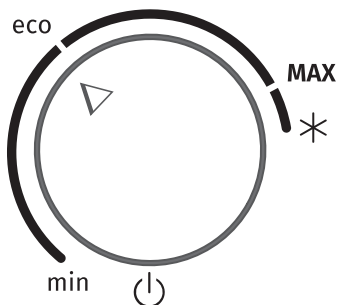
Switching off the appliance: Rotate the **A** knob back to the position  (appliance will remain powered, i.e. there will still be electric current in the appliance).

Adjusting the temperature in the appliance



INFORMATION!

After the appliance is switched on, it may take several hours for the set temperature to be reached. Do not place any food into the refrigerator before the set temperature is reached.



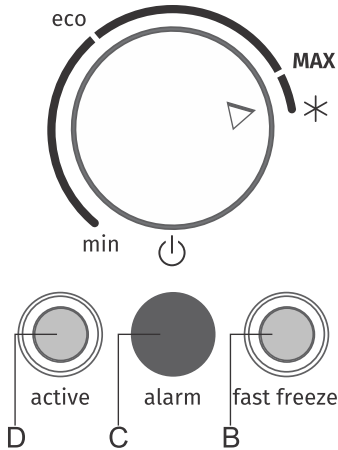
- Set the desired temperature using the **A** knob.
- Positions towards the **MAX** setting correspond to lower temperature in the appliance (cooler); positions towards the **min** position correspond to a higher temperature (warmer).
- Recommended knob position is **eco**, as this means the appliance operates with optimum settings.



INFORMATION!

Temperature inside the appliance is affected by the temperature in the environment and by how often the lid is opened. Adjust the thermostat knob setting accordingly.

Intensive freezing (super freeze) function



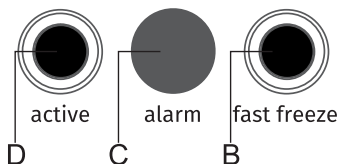
To activate intensive freezing, rotate the **A** knob to position * . The **B** signal light will light up.

INFORMATION!

When the intensive freezing function is selected, the appliance works at maximum capacity. It may then make more noise for a while.

- Use this setting after switching on the appliance for the first time, before cleaning, or 24 hours before inserting a large amount of food.
- If any other function is selected while the intensive freezing function is active, the intensive freezing function will be deactivated immediately.
- To deactivate intensive freezing, rotate the **A** knob back to the desired setting. The signal light **B** will be switched off immediately.
- If the function is not deactivated manually, it will be deactivated automatically after approximately two days. The setting will return to the most recent setting, the signal light **B** will switch off , but the **A** knob will remain at the * marking.
- If there is a power outage while the intensive freezing function is active, the function will be restarted when power supply resumes.

High temperature alarm



If the temperature inside the appliance is too high, then the **C** light will be constantly lit or it will flash. The signal light **C** will go off when the appliance cools back down to a temperature that no longer poses food spoilage hazard.

Freezing and storing frozen food

Freezing procedure

INFORMATION!

Maximum amount of fresh food that may be inserted at once is specified on the appliance rating plate. If the amount of food to be frozen exceeds the indicated amount, the quality of freezing will be inferior; in addition, the quality of the food already frozen will deteriorate.

- Activate the super freeze function 24 hours before freezing fresh food:
 - Rotate the **A** knob to position * (signal light **B** will light up).

Make sure the fresh food is not in contact with the food that is already frozen.

- When freezing smaller amounts of food (1-2 kilograms), activating the super freeze function is not required.
- After the end of the freezing process, rotate the **A** knob back to the desired setting, even if the signal light **B** is not on (this means that a sufficiently low temperature has been reached).

Important warnings on freezing

INFORMATION!

Only use the freezer to freeze food appropriate for freezing. Always use quality and fresh food.

Select the most suitable packaging for the food and use the packaging correctly.

Make sure the packaging is air and water tight so that the food does not dry out and lose its vitamins.

Indicate the type of food, amount, and date of freezing on the packaging.

It is important that the food freezes quickly. Therefore, smaller packages are recommended. Refrigerate the food before freezing.

Storing industrially frozen food

- When storing and using frozen food, observe the manufacturer's instructions. Temperature and expiry date are indicated on the packaging.
- Only choose food with undamaged packaging, stored in freezers at temperatures of -18°C or lower.
- Do not purchase food covered in frost as this indicates it has been partly thawed several times and that it is of inferior quality.
- Protect the food from thawing during transport. In case of an increase in temperature, storage time will be shorter and quality will deteriorate.

Avoid contamination of food

To avoid contamination of food, please respect the following instructions:

- Opening the door for long periods can cause a significant increase of the temperature in the compartments of the appliance.
- Regularly clean surfaces that can come in contact with food and accessible drainage systems.
- If the refrigerating appliance is left empty for long periods, switch off, defrost, clean, dry, and leave the door open to prevent mould developing within the appliance.

Frozen food storage time

Recommended storage time in the freezer

Type of food	Storage life
Fruit, beef	from 10 to 12 months
Vegetables, veal, poultry	from 8 to 10 months
Venison	from 6 to 8 months
Pork	from 4 to 6 months
Finely chopped or minced meat	4 months
Bread, pastas, cooked dishes, whitefish	3 months
Offal	2 months
Smoked sausage, bluefish	1 month

Thawing frozen food

- Thawing is an important step in storing food preserved by freezing. Food must be thawed in the correct way.
- Suitable methods of thawing food are:
 - in the refrigerator;
 - in cold water;
 - in a microwave or conventional oven with a suitable thaw program.
- Some frozen products can be prepared without needing to thaw them first. The manufacturer will state this on the packaging.
- The food needs to be packed in small portions. In this way the food thaws faster.
- Use partially or completely thawed food as quickly as possible. The bacteria in thawed food are reactivated and the food will spoil rapidly. This applies in particular to fruit, vegetables and ready-made food.
- Do not refreeze partially or completely thawed food.

Defrosting the appliance

Defrost the appliance once or twice a year, or more often if it is opened more frequently. In some places, especially around the outlet valve, a thicker layer of frost or ice can accumulate. This is normal and it is a result of ingress of humid air. Occasionally scrape the frost with the supplied scraper.

- Approximately 24 hours before defrosting, rotate the **A** knob to the intensive freezing position (signal light **B** will light up), to cool the food to a very low temperature.
- Unplug the appliance from the wall outlet/socket.
- Empty the appliance and protect the food from defrosting.

Removing frost by thawing

If the frost layer is too thick to be scraped off, it has to be at least partially melted.

- Remove the plug on the front side of the freezer.
- Place a container into which the water from the defrosting process will be drained.
- Remove the plug on the bottom of the freezer.
- Leave the freezer lid open to speed up the defrosting process. Use a cloth to wipe the inside of the appliance; then, replace the two plugs.
- Do not use any defrosting sprays as they may damage the plastic parts or harm your health. Unplug the appliance from the wall outlet/socket before cleaning!

Cleaning the appliance



WARNING!

Before cleaning, unplug the appliance from the power mains - switch off the appliance (see chapter Switching the Appliance On/Off) and unplug the power cord from the wall outlet.

Use a soft cloth to clean all surfaces. Cleaners that contain abrasive substances, acids, or solvents are not suitable for cleaning as they may damage the surface.

Clean the appliance **exterior** with water or a mild solution of suds.

Lacquer-coated and aluminium surfaces may be cleaned with lukewarm water to which you have added a mild detergent. Use of cleaners with low alcohol content is allowed (e.g. window cleaners).

Do not use cleaners containing alcohol for cleaning plastic materials.



INFORMATION!

Appliance interior can be cleaned with lukewarm water to which you can add some vinegar.

To clean the **lid gasket**, use mild **soapsuds**.

Frost or ice build-up that is 3-5 mm thick will increase power consumption and it should therefore be regularly removed. Do not use any sharp objects, solvents, or sprays.

After cleaning, switch the appliance back on and insert the food.

Troubleshooting

Problems can appear during use or operation of the appliance.

Following is a list of some faults that are most commonly a result of improper use and which you can fix yourself.


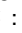
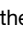
Problem	Cause	Remedy
Appliance is connected to the power mains but it does not work.	The outlet/socket is not powered.	
	Appliance is not switched on. The A knob is set to position  and the freezer chest is therefore switched off.	To switch on the appliance, rotate the thermostat knob A to position that corresponds to the desired temperature setting (see chapter Operating the appliance). Rotate the knob clockwise to a position between min and MAX marking.
Continuous or prolonged operation:	Lid was open for too long.	
	Too low temperature was set with the thermostat knob.	Rotate the thermostat knob A towards the min position.
	Inadequate condenser unit cooling.	Make sure the air can circulate freely at and around the back and front wall of the appliance.
	Thermostat knob is in the super freeze position (signal light B is on).	
The freezer chest is vibrating or making too much noise:	Incorrect installation.	Place the freezer chest on suitable floor or surface.
	The freezer chest is in contact with a wall or adjacent furniture.	Move the freezer chest.
Moisture accumulating on exterior walls:	Humid room.	Move the appliance away from the walls or the floor to allow better air circulation around the appliance. Set the thermostat knob to a lower setting.
	Inadequate floor insulation.	
	Prolonged hot and humid weather.	
Signal light B is not on, although the knob is set to position  :	The intensive freezing function is complete. However, after the function is complete, it is normal that the knob remains in the  position.	Rotate the knob to desired setting.
Excessive formation of frost in the appliance interior:	Freezer chest opened too long or too frequently.	
	Too large quantity of insufficiently cooled food.	

Table continued from last page

	The lid does not close properly.	Make sure you have removed the plastic spacers and that the objects in the freezer chest (packages of food etc.) do not obstruct the closing of the lid.
Signal light C is on/is flashing:	<p>The appliance has not reached the set temperature yet.</p> <ul style="list-style-type: none"> • Too large amount of insufficiently cooled food will increase the temperature in the freezer chest interior. The light will go off when the food cools down to the set temperature. • A long power supply failure. • Lid opened too frequently or too long. 	
Appliance sides are warm:	<ul style="list-style-type: none"> • This is normal. There are pipes and tubes installed in the appliance sides, which tend to heat up during appliance operation. 	

Information about appliance noise

Cooling in freezers is enabled by a cooling system that includes a compressor that emits some noise. The level of noise depends on installation, proper use, and age of the appliance.

- After connecting the appliance to the power mains, compressor operation, or the sound of flowing liquid, may be somewhat louder. This is not a sign of malfunction and it will not affect the useful life of the appliance. In time, appliance operation and this noise will become quieter.
- Sometimes, unusual or loud noises may appear during appliance operation; these are mostly the result of improper installation:
 - The appliance must stand level and stable on a solid base.
 - The appliance may not be in contact with a wall or adjacent furniture.
- Due to the higher workload on the cooling system when the door is opened more frequently or for a longer time, when a large amount of fresh food is introduced or when intensive freezing or cooling functions are activated, the appliance can temporarily generate more noise.

gorenje

GORENJE gospodinjski aparati, d.o.o. Address: Partizanska 12, 3320 Velenje, Slovenia
Phone: +386 (0)3 899 10 00 Fax: +386 (0)3 899 28 00 www.gorenje.com



820577-a2



We reserve the right to changes that do not affect the appliance functionality.