

## COOKER HOOD

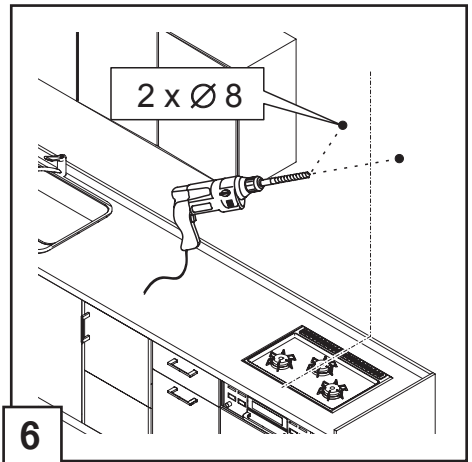
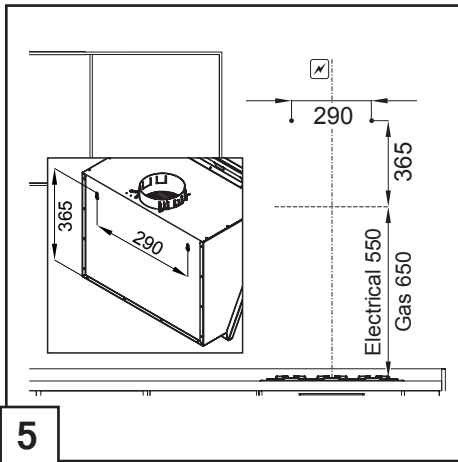
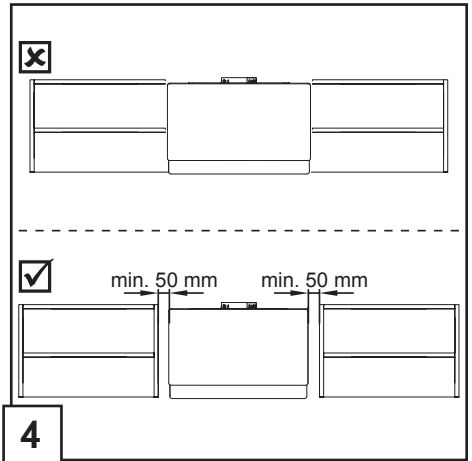
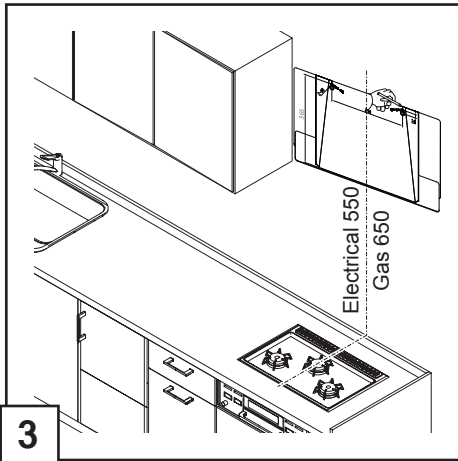
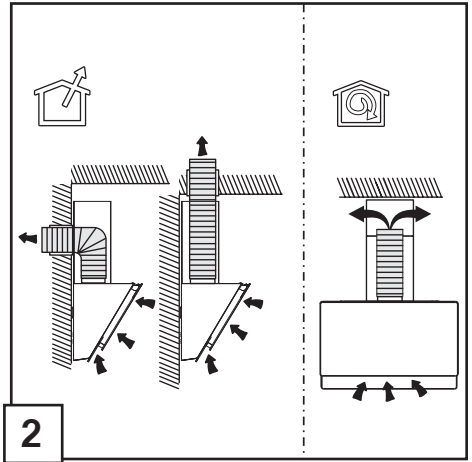
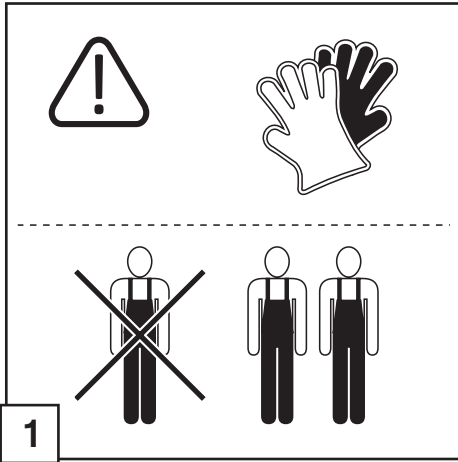
NB60E-L15B7 **W6TB**  
NB90E-L15B7 **W9TB**

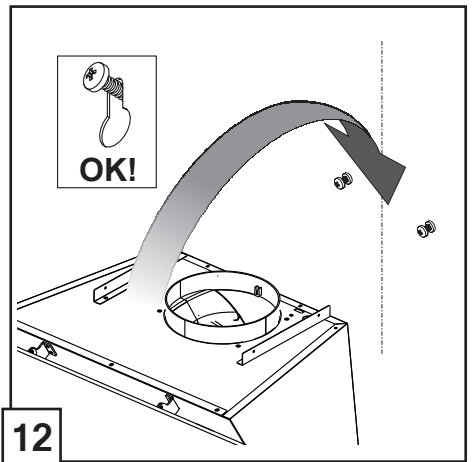
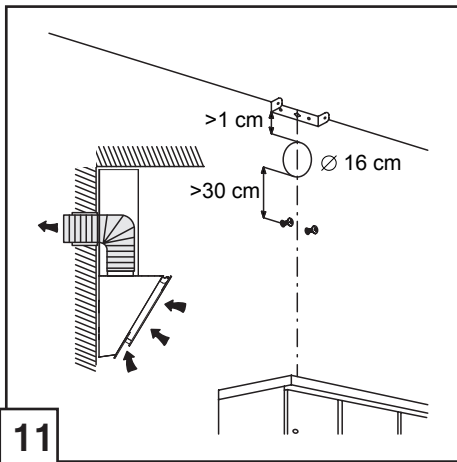
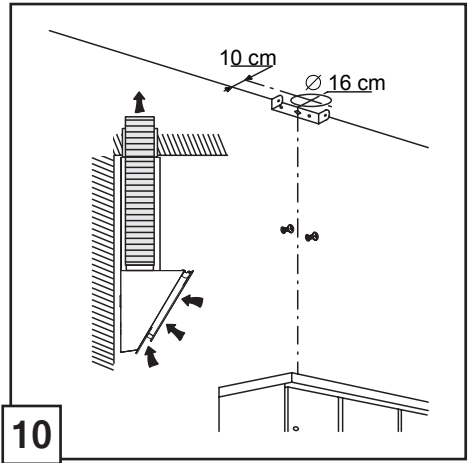
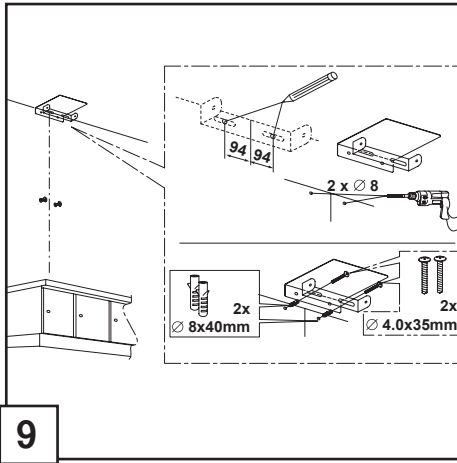
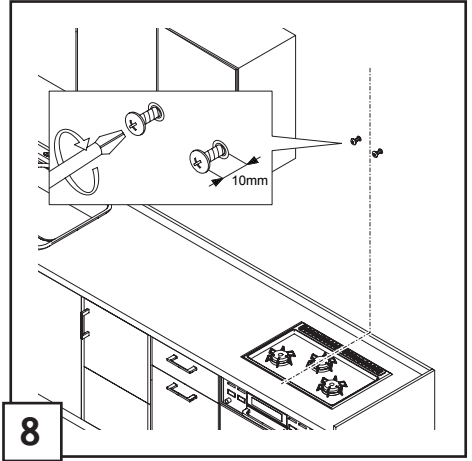
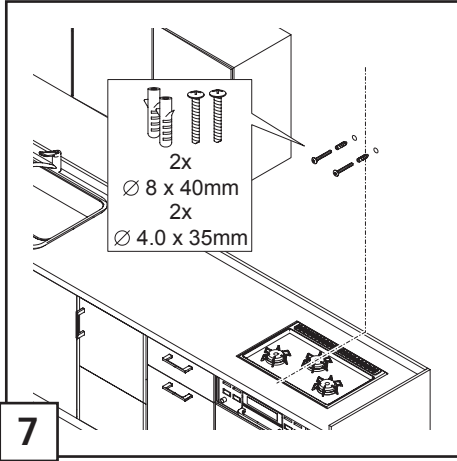
# LANGUAGES

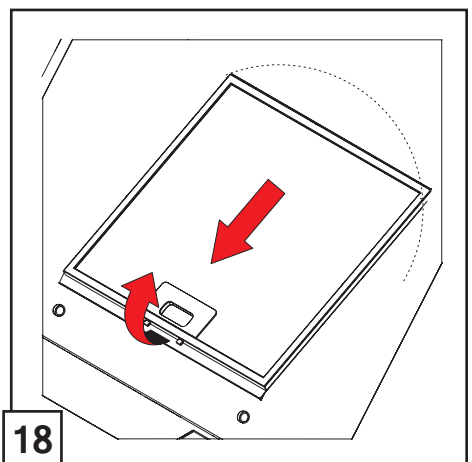
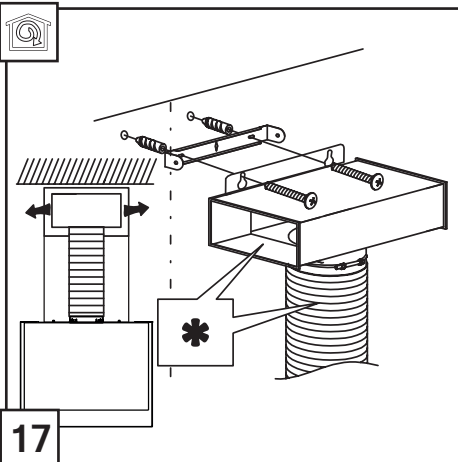
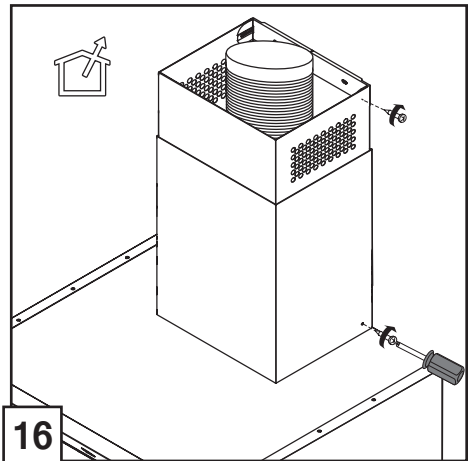
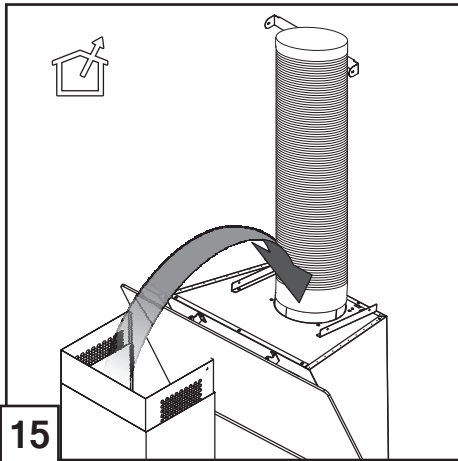
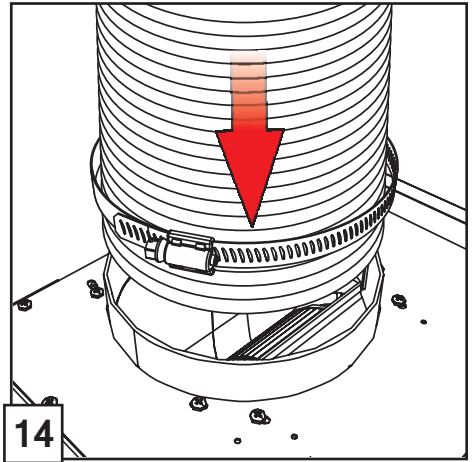
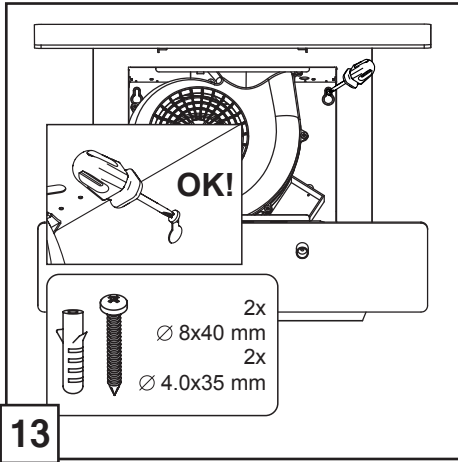
---

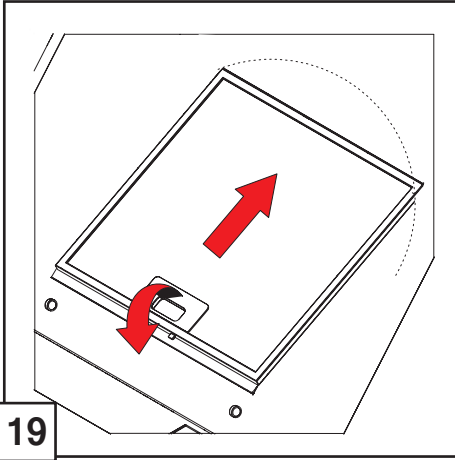
7	EN	COOKER HOOD
11	DE	DUNSTABZUGSHAUBE
15	FI	LIESITUULETIN
19	NO	VENTILATOR
23	SV	KÖKSFLÄKT
27	DA	EMHÆTTE

---

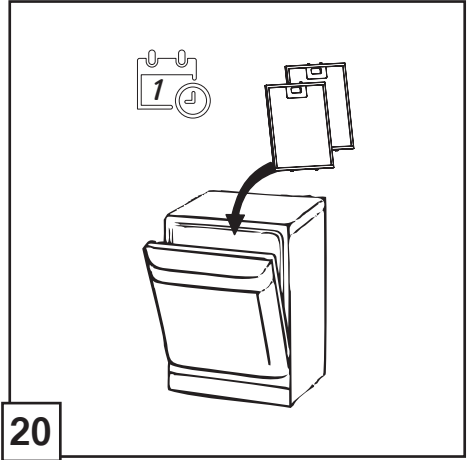








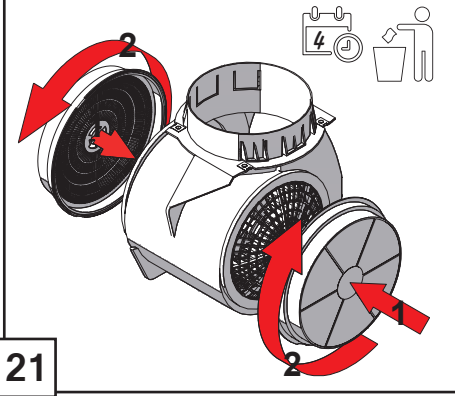
19



20



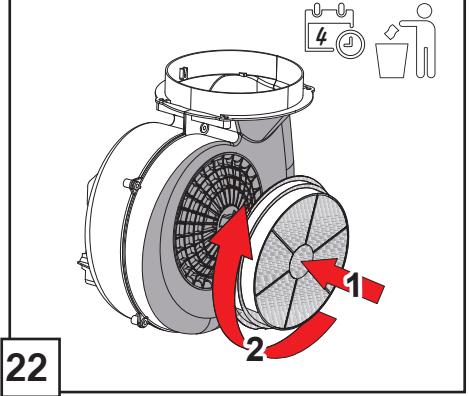
\* depending on the model



21



\* depending on the model



22

## EN COOKER HOOD

**Closely follow the instructions set out in this manual.** All responsibility, for any eventual inconveniences, damages or fires caused by not complying with the instructions in this manual, is declined. The hood is conceived for the suction of cooking fumes and steam and is destined only for domestic use.

**The hood can look different to that illustrated in the drawings in this booklet. The instructions for use, maintenance and installation, however, remain the same.**

- ! It is important to conserve this booklet for consultation at any moment. In the case of sale, cession or move, make sure it is together with the product.
- ! Read the instructions carefully: there is important information about installation, use and safety.
- ! Do not carry out electrical or mechanical variations on the product or on the discharge conduits.
- ! Before proceeding with the installation of the appliance verify that there are no damaged all components. Otherwise contact your dealer and do not proceed with the installation.

**Note:** the elements marked with the symbol “(\*)” are optional accessories supplied only with some models or elements to purchase, not supplied.



### **CAUTION WARNING!**

- ! Do not connect the appliance to the mains until the installation is fully complete.
- ! Before any cleaning or maintenance operation, disconnect hood from the mains by removing the plug or disconnecting the mains electrical supply.
- ! Always wear work gloves for all installation and maintenance operations.
- ! The appliance is not intended for use by children or persons with impaired physical, sensorial or mental faculties, or if lacking in experience or knowledge, unless they are under supervision or have been trained in the use of the appliance by a person responsible for their safety.
- ! This appliance is designed to be operated by adults, children should be monitored to ensure that they do not play with the appliance.
- ! This appliance is designed to be operated by adults. Children should not be allowed to tamper with the controls or play with the appliance.
- ! Never use the hood without effectively mounted grating!
- ! The hood must NEVER be used as a support surface unless specifically indicated.
- ! The premises where the appliance is installed must be sufficiently ventilated, when the kitchen hood is used together with other gas combustion devices or other fuels.
- ! The ducting system for this appliance must not be connected to any existing ventilation system which is being used for any other purpose such as discharging exhaust fumes from appliances burning gas or other fuels.
- ! The flaming of foods beneath the hood itself is severely prohibited.
- ! The use of exposed flames is detrimental to the filters and may cause a fire risk, and must therefore be avoided in all circumstances.
- ! Any frying must be done with care in order to make sure that the oil does not overheat and ignite.
- ! Accessible parts of the hood may become hot when used with cooking appliance.
- ! With regards to the technical and safety measures to be adopted for fume discharging it is important to closely follow the regulations provided by the local authorities.
- ! The hood must be regularly cleaned on both the inside and outside (AT LEAST ONCE A MONTH).
- ! This must be completed in accordance with the maintenance instructions provided in this manual). Failure to follow the instructions provided in this user guide regarding the cleaning of the hood and filters will lead to the risk of fires.
- ! Do not use or leave the hood without the lamp correctly mounted due to the possible risk of electric shocks.
- ! We will not accept any responsibility for any faults, damage or fires caused to the appliance as a result of the nonobservance of the instructions included in this manual.
- ! This appliance is marked according to the European directive 2002/96/EC on Waste Electrical and Electronic Equipment (WEEE). By ensuring this product is disposed of correctly, you will help prevent potential negative consequences for the environment and human health, which could otherwise be caused by inappropriate waste handling of this product.



The symbol on the product, or on the documents accompanying the product, indicates that this appliance may not be treated as household waste. Instead it should be taken to the appropriate collection point for the recycling of electrical and electronic equipment. Disposal must be carried out in accordance with local environmental regulations for waste disposal.

For further detailed information regarding the process, collection and recycling of this product, please contact the appropriate department of your local authorities or the local department for household waste or the shop where you purchased this product.

Appliance designed, tested and manufactured according to:

- **Safety:** EN/IEC 60335-1; EN/IEC 60335-2-31, EN/IEC 62233.
- **Performance:** EN/IEC 61591; ISO 5167-1; ISO 5167-3; ISO 5168; EN/IEC 60704-1; EN/IEC 60704-2-13; ISO 3741; EN 50564; IEC 62301.
- **EMC:** EN 55014-1; CISPR 14-1; EN 55014-2; CISPR 14-2; EN/IEC 61000-3-2; EN/IEC 61000-3-3.

Suggestions for a correct use in order to reduce the environmental impact: Switch ON the hood at minimum speed when you start cooking and kept it running for few minutes after cooking is finished. Increase the speed only in case of large amount of smoke and vapour and use boost speed(s) only in extreme situations. Replace the charcoal filter(s) when necessary to maintain a good odour reduction efficiency. Clean the grease filter(s) when necessary to maintain a good grease filter efficiency. Use the maximum diameter of the ducting system indicated in this manual to optimize efficiency and minimize noise.

#### **Additional Installation Specifications:**

Use only the fixing screws supplied with the product for installation or, if not supplied, purchase the correct screws type.

Use the correct length for the screws which are identified in the Installation Guide.

In case of doubt, consult an authorised service assistance centre or similar qualified person.

**WARNING!** Failure to install the screws or fixing device in accordance with these instructions may result in electrical hazards.

## **USE**

The hood is designed to be used either for exhausting or filter version.



### **Ducting version**

In this case the fumes are conveyed outside of the building by means of a special pipe connected with the connection ring located on top of the hood.

**Attention!** The exhausting pipe is not supplied and must be purchased apart.

Diameter of the exhausting pipe must be equal to that of the connection ring.

In the horizontal runs the exhausting pipe must be slightly slanted (about 10°) and directed upwards to vent the air easily from the room to the outside.

**Attention!** If the hood is supplied with active charcoal filter, then it must be removed.

Connect the hood and discharge holes on the walls with a diameter equivalent to the air outlet (connection flange).

Using the tubes and discharge holes on walls with smaller dimensions will cause a diminution of the suction performance and a drastic increase in noise.

Any responsibility in the matter is therefore declined.

- ! Use a duct of the minimum indispensable length.
- ! Use a duct with as few elbows as possible (maximum elbow angle: 90°).
- ! Avoid drastic changes in the duct cross-section.
- ! Use a duct as smooth as possible inside.
- ! The duct must be made of certified material.



### **Filter version**

One active charcoal filter is needed for this and can be obtained from your usual retailer.

The filter removes the grease and smells from the extracted air before sending it back into the room through the upper outlet grid.

## **INSTALLATION**

The minimum distance between the supporting surface for the cooking equipment on the hob and the lowest part of the range hood must be not less than 55cm from electric cookers and 65cm from gas or mixed cookers.

If the instructions for installation for the gas hob specify a greater distance, this must be adhered to.



### **Electrical connection**

The mains power supply must correspond to the rating indicated on the plate situated inside the hood. If provided with a plug connect the hood to a socket in compliance with current regulations and positioned in an accessible area, after installation. If it not fitted with a plug (direct mains connection) or if the plug is not located in an accessible area, after installation, apply a double pole switch in accordance with standards which assures the complete disconnection of the mains under conditions relating to over-current category III, in accordance with installation instructions.

**Warning!** Before re-connecting the hood circuit to the mains supply and checking the efficient function, always check that the mains cable is correctly assembled.



## Mounting

Very heavy product; hood handling and installation must be carried out by at least two persons.

Before beginning installation:

- Check that the product purchased is of a suitable size for the chosen installation area.
- Remove the charcoal (\*) filter/s if supplied (see also relative paragraph). This/these is/are to be mounted only if you want to use the hood in the filtering version.
- Check (for transport reasons) that there is no other supplied material inside the hood (e.g. packets with screws (\*), guarantees (\*), etc.), eventually removing them and keeping them.
- If possible, disconnect and move freestanding or slide-in range from cabinet opening to provide easier access to rear wall/ceiling. Otherwise put a thick, protective covering over countertop, cooktop or range to protect from damage and debris. Select a flat surface for assembling the unit. Cover that surface with a protective covering and place all canopy hood parts and hardware in it.
- In addition check whether near the installation area of the hood (in the area accessible also with the hood mounted) an electric socket is available and it is possible to connect a fumes discharge device to the outside (only suction version).
- Carry out all the masonry work necessary (e.g. installation of an electric socket and/or a hole for the passage of the discharge tube).

Expansion wall plugs are provided to secure the hood to most types of walls/ceilings. However, a qualified technician must verify suitability of the materials in accordance with the type of wall/ceiling. The wall/ceiling must be strong enough to take the weight of the hood. **Do not tile, grout or silicone this appliance to the wall. Surface mounting only.**

## OPERATION

Use the high suction speed in cases of concentrated kitchen vapors. It is recommended that the cooker hood suction is switched on for 5 minutes prior to cooking and to leave in operation during cooking and for another 15 minutes approximately after terminating cooking.

### Mechanical controls



- ⚡: Press the Light button to switch the light ON. Press again to switch the light OFF.
- ⚡: Press the Speed 1 button to start the motor with speed 1.
- ⚡: Press the Speed 2 button to start the motor with speed 2.
- ⚡: Press the Speed 3 button to start the motor with speed 3.
- : Press the Switch Off button to switch off the motor.

### Touch controls



- ⏻: Press the On/Off button to start selecting the motor speeds.
- ⚡: Press the Speed 1 button to start the motor with speed 1.
- ⚡: Press the Speed 2 button to start the motor with speed 2.
- ⚡: Press the Speed 3 button to start the motor with speed 3.
- ⚡: Press the Light button to switch the light ON. Press again to switch the light OFF.

## **MAINTENANCE**

**ATTENTION!** Before performing any maintenance operation, isolate the hood from the electrical supply by switching off at the connector and removing the connector fuse.

Or if the appliance has been connected through a plug and socket, then the plug must be removed from the socket.

### **Cleaning**

The cooker hood should be cleaned regularly (at least with the same frequency with which you carry out maintenance of the fat filters) internally and externally. Clean using the cloth dampened with neutral liquid detergent. Do not use abrasive products. **DO NOT USE ALCOHOL!** **WARNING:** Failure to carry out the basic cleaning recommendations of the cooker hood and replacement of the filters may cause fire risks. Therefore, we recommend observing these instructions.

The manufacturer declines all responsibility for any damage to the motor or any fire damage linked to inappropriate maintenance or failure to observe the above safety recommendations.

### **Grease filter**

**Traps cooking grease particles.**

The **grease filter** must be cleaned once a month using non aggressive detergents, either by hand or in the dishwasher, which must be set to a low temperature and a short cycle. When washed in a dishwasher, the grease filter may discolour slightly, but this does not affect its filtering capacity.

To remove the grease filter, pull the spring release handle.

### **Charcoal filter (filter version only)**

**It absorbs unpleasant odours caused by cooking.**

The saturation of the **charcoal filter** occurs after more or less prolonged use, depending on the type of cooking and the regularity of cleaning of the grease filter.

In any case it is necessary to replace the cartridge at least every four months.

The charcoal filter may NOT be washed or regenerated.

**Circular carbon filter**

Apply one on each side as cover to both the shield grids of the motor impeller, then turn clockwise.

For the disassembly, turn counter-clockwise.

### **Replacing lamps**

The hood is equipped with a lighting system based on LED technology.

The LEDs guarantee an optimum lighting, a duration up to 10 times as long as the traditional lamps and allow to save 90% electrical energy.

In case of malfunction of the illumination system contact the technical service.

## DE DUNSTABZUGSHAUBE

**Bitte befolgen Sie strikt die Anweisungen aus diesem Handbuch.** Der Hersteller übernimmt keine Haftung für eventuelle Unannehmlichkeiten, Schäden oder Brand, die aufgrund der Nichtbeachtung der Hinweise in diesem Handbuch entstehen. Die Dunstabzugshaube ist für die Absaugung von Rauch und Dampf während des Kochens und nur für den Gebrauch im Haushalt bestimmt.

**Das Aussehen der Dunstabzugshaube kann von den Zeichnungen in diesem Handbuch abweichen. Ungeachtet dessen bleiben die Hinweise für Gebrauch, Wartung und Installation unverändert.**

- ! Bewahren Sie dieses Handbuch auf, damit Sie es jederzeit erneut lesen können. Falls Sie das Gerät einem neuen Besitzer übergeben, sorgen Sie bitte dafür, dass er das Handbuch erhält.
- ! Lesen Sie dieses Handbuch sorgfältig durch, da es wichtige Hinweise sowie Informationen zur Installation, zum Gebrauch und zur Sicherheit enthält.
- ! Führen Sie keine elektrischen oder mechanischen Eingriffe bzw. Einstellungen am Gerät oder am Abluftschlauch durch.
- ! Überprüfen Sie vor dem Installieren des Geräts, ob alle Komponenten unbeschädigt sind. Falls Sie feststellen, dass eine der Komponenten beschädigt ist, wenden Sie sich an bitte an Ihren Händler und installieren Sie das Gerät nicht.

**Hinweis:** Die mit dem Symbol (\*) gekennzeichneten Elemente sind zusätzliches Zubehör, das nur bei einigen Modellen vorhanden oder als zusätzliches Zubehör erhältlich sind und nicht zum Lieferumfang des Geräts gehören.



### **ACHTUNG! WARNUNG!**

- ! Schließen Sie das Gerät erst dann an das Stromnetz an, nachdem die Installation vollständig abgeschlossen ist.
- ! Bevor Sie die Dunstabzugshaube reinigen oder warten, trennen Sie sie vom Stromnetz, indem Sie den Stecker des Anschlusskabels aus der Steckdose ziehen oder die Hauptsicherung abschalten.  
Tragen Sie bei Installations- oder Wartungsarbeiten immer Schutzhandschuhe.  
Das Gerät ist nicht zum Gebrauch durch Kinder und Personen mit verminderten physischen, sensorischen oder geistigen Fähigkeiten oder mangelnden Erfahrungen bzw. Kenntnissen bestimmt, ausgenommen sie bedienen das Gerät unter entsprechender Aufsicht oder berücksichtigen die Anweisungen von einer für ihre Sicherheit verantwortlichen Person.
- ! Das Gerät ist für den Gebrauch durch Erwachsene bestimmt. Erlauben Sie kleinen Kindern nicht, mit dem Gerät zu spielen.
- ! Das Gerät ist für den Gebrauch durch Erwachsene bestimmt. Erlauben Sie Kindern nicht, mit den Bedienelementen des Geräts oder mit dem Gerät selbst zu spielen.
- ! Gebrauchen Sie die Dunstabzugshaube niemals ohne das montierte Gitter!  
Verwenden Sie die Haube NIEMALS als Trag- oder Stützfläche, es sei denn, dies ist ausdrücklich in der Gebrauchsanleitung gestattet.  
Wenn im Raum, in dem die Dunstabzugshaube installiert ist, auch andere Geräte verwendet werden, in denen Erdgas oder andere Brennstoffe verbrannt werden, muss der Raum ausreichend belüftet sein.
- ! Das System zum Absaugen von Dämpfen aus diesem Gerät darf nicht an ein vorhandenes Lüftungssystem angeschlossen werden, das bereits zu anderen Zwecken verwendet wird, z. B. für die Ableitung von Gasen, die bei der Verbrennung von Gas oder anderen Brennstoffen entstehen.
- ! Das Flammbieren bzw. die Verwendung von offenem Feuer direkt unter der Dunstabzugshaube ist strengstens verboten.
- ! Die Verwendung von offenem Feuer kann die Filter beschädigen und ein Brandrisiko verursachen, deswegen sollten Sie es unter allen Umständen unterlassen.
- ! Achten Sie beim Frittieren darauf, dass sich das Öl nicht überhitzt und sich entzündet.
- ! Die zugänglichen Teile der Dunstabzugshaube können sich beim Betrieb des unter der Haube befindlichen Kochgeräts stark erhitzen.
- ! Hinsichtlich der sowohl technischen als auch sicherheitsrelevanten Maßnahmen zur Ableitung von Dämpfen ist es wichtig, die von den örtlichen Behörden festgelegten Regeln strikt einzuhalten.  
Das Gerät sollte regelmäßig von innen und außen gereinigt werden (MINDESTENS EINMAL IM MONAT).  
Gebrauchen Sie das Gerät ausschließlich zu dem in diesem Handbuch angeführten Zweck. Falls Sie die Hinweise zur Reinigung von Dunstabzugshauben und Filtern aus diesem Handbuch nicht befolgen, kann es zu Brandgefahr kommen.
- ! Verwenden Sie die Dunstabzugshaube nicht ohne das entsprechend eingebaute Leuchtmittel, da sonst die Gefahr eines Stromschlags besteht.
- ! Der Hersteller übernimmt keine Haftung für eventuelle Fehler, Schäden oder Brände, die aufgrund der Nichtbeachtung der Hinweise in diesem Handbuch entstehen.
- ! ! Das Gerät ist in Einklang mit der europäischen Richtlinie 2002/96/EG über die Entsorgung von Elektro- und Elektronikgeräten gekennzeichnet. Durch die vorschriftsmäßige Entsorgung des Geräts tragen Sie zur Vermeidung von eventuellen schädlichen Einflüssen auf die Umwelt und Gesundheit der Menschen bei, die bei einer unvorschriftsmäßigen Entsorgung des ausgedienten Geräts entstehen würden.

Das Gerät wurde gemäß folgenden Normen bzw. Vorschriften entwickelt, getestet und hergestellt.

- **Sicherheit:** EN/IEC 60335-1; EN/IEC 60335-2-31, EN/IEC 62233.
- **Betriebseffizienz:** EN/IEC 61591; ISO 5167-1; ISO 5167-3; ISO 5168; EN/IEC 60704-1; EN/IEC 60704-2-13; ISO 3741; EN 50564; IEC 62301.
- **EMC (elektromagnetische Verträglichkeit):** EN 55014-1; CISPR 14-1; EN 55014-2; CISPR 14-2; EN/IEC 61000-3-2; EN/IEC 61000-3-3.

### **DEUTSCHLAND: Aktualisierte Informationen zur Entsorgung von Altgeräten**

Das Elektro- und Elektronikgerätegesetz (ElektroG) enthält eine Vielzahl von Anforderungen an den Umgang mit Elektro und Elektronikgeräten. Die wichtigsten sind hier zusammengestellt.

## 1. Getrennte Erfassung von Altgeräten

Elektro- und Elektronikgeräte, die zu Abfall geworden sind, werden als Altgeräte bezeichnet. Besitzer von Altgeräten haben diese einer vom unsortierten Siedlungsabfall getrennten Erfassung zuzuführen. Altgeräte gehören insbesondere nicht in den Hausmüll, sondern in spezielle Sammel- und Rückgabesysteme.

## 2. Batterien und Akkus sowie Lampen

Besitzer von Altgeräten haben Altbatterien und Alttakkumulatoren, die nicht vom Altgerät umschlossen sind, sowie Lampen, die zer- störungsfrei aus dem Altgerät entnommen werden können, im Regelfall vor der Abgabe an einer Erfassungsstelle vom Altgerät zu trennen. Dies gilt nicht, soweit Altgeräte einer Vorbereitung zur Wiederverwendung unter Beteiligung eines öffentlich-rechtlichen Entsorgungsträgers zugeführt werden.

## 3. Möglichkeiten der Rückgabe von Altgeräten

Besitzer von Altgeräten aus privaten Haushalten können diese bei den Sammelstellen der öffentlich-rechtlichen Entsorgungsträger oder bei den von Herstellern oder Vertreibern im Sinne des ElektroG eingerichteten Rücknahmestellen unentgeltlich abgeben.

Rücknahmepflichtig sind Geschäfte mit einer Verkaufsfläche von mindestens 400 m<sup>2</sup> für Elektro- und Elektronikgeräte sowie die- jenigen Lebensmittelgeschäfte mit einer Gesamtverkaufsfläche von mindestens 800 m<sup>2</sup>, die mehrmals pro Jahr oder dauerhaft Elektro- und Elektronikgeräte anbieten und auf dem Markt bereitstellen. Dies gilt auch bei Vertrieb unter Verwendung von Fernkom- munikationsmitteln, wenn die Lager- und Versandflächen für Elektro- und Elektronikgeräte mindestens 400 m<sup>2</sup> betragen oder die gesamten Lager- und Versandflächen mindestens 800 m<sup>2</sup> betragen. Vertreter haben die Rücknahme grundsätzlich durch geeignete Rückgabemöglichkeiten in zumutbarer Entfernung zum jeweiligen Endnutzer zu gewährleisten.

Die Möglichkeit der unentgeltlichen Rückgabe eines Altgerätes besteht bei rücknahmepflichtigen Vertreibern unter anderem dann, wenn ein neues gleichartiges Gerät, das im Wesentlichen die gleichen Funktionen erfüllt, an einen Endnutzer abgegeben wird. Wenn ein neues Gerät an einen privaten Haushalt ausgeliefert wird, kann das gleichartige Altgerät auch dort zur unentgeltlichen Abholung übergeben werden; dies gilt bei einem Vertrieb unter Verwendung von Fernkommunikationsmitteln für Geräte der Kategorien 1, 2 oder 4 gemäß § 2 Abs. 1 ElektroG, nämlich „Wärmeüberträger“, „Bildschirmgeräte“ oder „Großgeräte“ (letztere mit mindestens einer äußeren Abmessung über 50 Zentimeter). Zu einer entsprechenden Rückgabe-Absicht werden Endnutzer beim Abschluss eines Kauf- vertrages befragt. Außerdem besteht die Möglichkeit der unentgeltlichen Rückgabe bei Sammelstellen der Vertreter unabhängig vom Kauf eines neuen Gerätes für solche Altgeräte, die in keiner äußeren Abmessung größer als 25 Zentimeter sind, und zwar be- schränkt auf drei Altgeräte pro Geräteart.

## 4. Datenschutz-Hinweis

Altgeräte enthalten häufig sensible personenbezogene Daten. Dies gilt insbesondere für Geräte der Informations- und Telekommuni- kationstechnik wie Computer und Smartphones. Bitte beachten Sie in Ihrem eigenen Interesse, dass für die Löschung der Daten auf den zu entsorgenden Altgeräten jeder Endnutzer selbst verantwortlich ist.

## 5. Bedeutung des Symbols „durchgestrichene Mülltonne“



Das auf Elektro- und Elektronikgeräten regelmäßig abgebildete Symbol einer durchgestrichenen Mülltonne weist darauf hin, dass das jeweilige Gerät am Ende seiner Lebensdauer getrennt vom unsortierten Siedlungsabfall zu erfassen ist.

Empfehlungen zum richtigen Gebrauch, der die Umweltbelastung reduziert: Schalten Sie die Dunstabzugshaube auf die Mindestgeschwindigkeit, sobald Sie mit dem Kochen beginnen. Lassen Sie die Dunstabzugshaube nach Beendigung des Kochvorgangs noch ein paar Minuten laufen. Erhöhen Sie die Lüftergeschwindigkeit nur bei starker Rauch- und Dampfentwicklung; verwenden Sie hohe Lüftergeschwindigkeit nur in extremen Fällen. Ersetzen Sie bei Bedarf den Kohlefilter, um eine hohe Effizienz bei der Beseitigung von unangenehmen Gerüchen zu gewährleisten. Reinigen Sie bei Bedarf den Fettfilter, um einen guten Wirkungsgrad zu erreichen. Verwenden Sie den in diesem Handbuch angeführten Abluftschlauch mit maximalem Durchmesser, da dies optimal ist und den Geräuschpegel reduziert.

### Zusätzliche Spezifikationen für die Installation:

Verwenden Sie bei der Installation nur die Befestigungsschrauben, die dem Gerät beigelegt sind. Falls keine Schrauben beigelegt sind, kaufen Sie die entsprechenden Schrauben.

Verwenden Sie nur die in den den Installationshinweisen angeführten Schrauben.

Wenden Sie sich im Zweifelsfall an einen autorisierten Kundendienst, an das Kundendienstcenter oder an eine andere entsprechend qualifizierte Person.

**WARNUNG!** Falls Schrauben oder Montageteile nicht gemäß den Hinweisen aus diesem Handbuch installiert werden, besteht die Gefahr eines Stromschlags.

## GEBRAUCH

Diese Dunstabzugshaube ist so konstruiert, dass sie entweder zum Abluft- oder zum Filterbetrieb verwendet werden kann.



### **Abluftbetrieb**

Bei dieser Variante werden die Dämpfe über einen speziellen Abluftschlauch, der mit einem Anschlussflansch am oberen Teil der Haube verbunden wird, ins Freie geleitet.

Achtung! Der Abluftschlauch ist nicht beigelegt und muss separat gekauft werden.

Der Durchmesser des Abluftschlauchs sollte gleich groß sein wie der Durchmesser des Anschlussflansches.

Im waagerechten Bereich muss der Schlauch leicht nach oben (ca. 10 °) gebogen sein, damit der Austritt der Luft aus dem Raum nach außen erleichtert wird.

**Achtung!** Falls die Dunstabzugshaube mit Kohlefiltern ausgestattet ist, müssen diese entfernt werden.

Verwenden Sie für die Verbindung der Haube mit der Abluftöffnung einen Schlauch dessen Durchmesser dem Durchmesser der Austrittsöffnung an der Haube entspricht (Anschlussflansch).

Falls der Durchmesser des Abluftschlauchs oder die Wandöffnung kleiner ist, ist die Saugkraft geringer und die Betriebsgeräusche sind wesentlich lauter.

Für solche Fälle übernimmt der Hersteller keine Haftung.

- ! Der Abluftschlauch soll so kurz wie möglich sein.
- ! Sorgen Sie beim Einsetzen des Abluftschlauchs dafür, dass der Schlauch so wenig wie möglich geknickt wird. Der maximale Knickwinkel des Abluftschlauchs beträgt 90°.
- ! Vermeiden Sie größere Abweichungen vom Durchmesser des Abluftschlauchs.
- ! Die Innenfläche des Abluftschlauchs sollte so glatt wie möglich sein.
- ! Das Material des Abluftschlauchs muss die entsprechenden Zertifikate besitzen.



### **Filterbetrieb**

Für diese Variante benötigen Sie einen Kohlefilter, den Sie im Einzelhandel für Haushaltsgeräte kaufen können.

Der Filter entfernt Fett und Gerüche aus der eingesaugten Luft; die gereinigte Luft strömt durch die Austrittsöffnungen an der Oberseite des Geräts wieder in den Raum zurück.

## **INSTALLATION**

Der Mindestabstand zwischen dem Kochfeld und dem untersten Teil der Dunstabzugshaube muss bei Elektrokochfeldern mindestens 55 cm und bei Gas- bzw. Kombi-Kochfeldern mindestens 65 cm betragen.

Falls in der Installationsanleitung für Gaskochfelder ein größerer Abstand angegeben ist, sollten Sie diesen berücksichtigen.



### **Anschluss an das Stromnetz**

Die Elektroinstallation in Ihrem Haushalt muss den Angaben auf dem Typenschild im Inneren der Dunstabzugshaube entsprechen. Falls am Netzkabel des Geräts ein Stecker angeschlossen ist, stecken Sie diesen in eine Wandsteckdose, die den gültigen Vorschriften entspricht, und die so installiert ist, dass der Stecker nach der Installation leicht zugänglich ist. Falls das Netzkabel des Geräts nicht mit einem Stecker ausgestattet ist (direkter Anschluss an das Stromnetz) oder die Steckdose nach der Installation nicht leicht zugänglich ist, muss gemäß den Normen ein zweipoliger Schalter installiert werden, um sicherzustellen, dass das Gerät unter den Bedingungen der Überspannungskategorie III im Einklang mit den Installationsanweisungen eine vollständige Trennung vom Stromnetz gewährleistet.

**Warnung!** Bevor Sie die Dunstabzugshaube an das Stromnetz anschließen und deren Betrieb überprüfen, sollten Sie sich immer vergewissern, dass das Netzkabel richtig angeschlossen ist.

### **Art der Aufstellung**

Das Gerät ist sehr schwer. Bei der Handhabung und Installation der Dunstabzugshaube sollten mindestens zwei Personen zusammenarbeiten.

Vor der Installation:

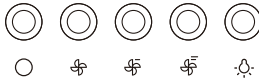
- Prüfen Sie, ob das gekaufte Produkt dem ausgewählten Aufstellungsbereich entspricht.
- Entfernen Sie den Kohlefilter (\*), falls dieser beigelegt ist (siehe entsprechendes Kapitel im Handbuch). Installieren Sie den Kohlefilter nur, wenn Sie das Gerät im Umluftbetrieb verwenden.
- Prüfen Sie, ob sich im Inneren der Dunstabzugshaube Materialien oder Gegenstände befinden (die eventuell beim Transport herausgefallen sind, z. B. Schraubenpackungen (\*), Garantiekarte (\*) usw.) und entfernen Sie diese.
- Trennen Sie, wenn möglich, den Standherd vom Stromnetz bzw. bewegen Sie den Einbauherd in die Nische zwischen die Küchenelemente, um den Zugang zur Wand bzw. zur Decke zu erleichtern. Falls dies nicht möglich sein sollte, legen Sie eine dicke Schutzabdeckung über das Kochfeld oder den Herd, um ihn vor Beschädigung und Fremdkörpern zu schützen. Wählen Sie für die Montage des Geräts eine ebene Unterlage aus. Legen Sie eine Schutzdecke auf die Unterlage, auf der Sie alle Teile der Dunstabzugshaube und alle Befestigungsteile montieren.
- Überprüfen Sie außerdem, ob sich eine Steckdose (die nach dem Einbau der Dunstabzugshaube leicht zugänglich ist) in der Nähe der Montage der Dunstabzugshaube befindet und ob eine Steckdose zum Anschluss des Geräts und eine Abluftöffnung für den Abluftschlauch vorhanden ist.
- Führen Sie alle notwendigen Montagearbeiten (z.B. Installation einer Steckdose und/oder Öffnung für den Abluftschlauch) durch.

Zur Befestigung der Dunstabzugshaube an die Wand bzw. an die Decke sind entsprechende Dübel beigelegt. Trotzdem muss ein entsprechend befähigter Fachmann die Eignung der Materialien hinsichtlich der Beschaffenheit der Wand bzw. der Decke überprüfen. Die Wand bzw. die Decke muss eine ausreichende Tragfähigkeit besitzen, um das Gewicht der Dunstabzugshaube auszuhalten. Versuchen Sie nicht, das Gerät an der Wand bzw. bündig an einer gefliesten Wand mit Fugenmasse, Gips oder Silikonkit zu befestigen. Das Gerät ist nur für die Aufputzmontage vorgesehen.

## **BETRIEB**

Verwenden Sie hohe Lüftergeschwindigkeiten nur bei hohen Dampfkonzentrationen, die während des Kochens entstehen. Es wird empfohlen, die Dunstabzugshaube 5 Minuten vor dem Kochen einzuschalten, während des Kochens laufen zu lassen und nach Beendigung des Kochvorgangs noch etwa 15 Minuten laufen zu lassen.

## Mechanische Steuerung



☉ Drücken Sie Einschalttaste für die Beleuchtung, um die Beleuchtung einzuschalten. Drücken Sie noch einmal die Einschalttaste für die Beleuchtung, um die Beleuchtung abzuschalten.

☞ Drücken Sie die Taste 1, um die Lüftergeschwindigkeit 1 einzustellen.

☞ Drücken Sie die Taste 2, um die Lüftergeschwindigkeit 2 einzustellen.

☞ Drücken Sie die Taste 3, um die Lüftergeschwindigkeit 3 einzustellen.

○ Drücken Sie die Ausschalttaste, um den Lüfter abzuschalten.

## Steuerung durch Berührung



☉ Drücken Sie die EIN/AUS-Sensortaste, um die Lüftergeschwindigkeit einzustellen.

☞ Drücken Sie die Taste 1, um die Lüftergeschwindigkeit 1 einzustellen.

☞ Drücken Sie die Taste 2, um die Lüftergeschwindigkeit 2 einzustellen.

☞ Drücken Sie die Taste 3, um die Lüftergeschwindigkeit 3 einzustellen.

☉ Drücken Sie Sensortaste zum Einschalten der Beleuchtung, um die Beleuchtung einzuschalten. Drücken Sie noch einmal die Sensortaste der Beleuchtung, um die Beleuchtung abzuschalten.

## PFLEGE

**ACHTUNG! Trennen Sie die Dunstabzugshaube vor Beginn von Wartungsarbeiten oder Eingriffen vom Stromnetz, indem Sie das Anschlusskabel vom Stromnetz trennen oder die entsprechende Sicherung Ihrer Strominstallation abschalten. Falls das Gerät an eine Steckdose angeschlossen ist, ziehen Sie den Stecker des Anschlusskabels aus der Steckdose.**

### Reinigung

Die Dunstabzugshaube sollte, sowohl von innen als auch von außen, regelmäßig gereinigt werden (mindestens so oft wie der Fettfilter). Reinigen Sie das Gerät mit einem weichen Tuch, das mit einem neutralen Reinigungsmittel angefeuchtet ist. Verwenden Sie zum Reinigen des Geräts keine groben bzw. scheuernden Reinigungsmittel. VERWENDEN SIE ZUM REINIGEN DES GERÄTS KEINEN ALKOHOL! HINWEIS:

Wir empfehlen Ihnen, diese Anweisungen zu befolgen.

Der Hersteller übernimmt keine Haftung für Schäden am Motor oder Schäden, die durch einen Brand verursacht werden, wenn solche Schäden auf unzureichende Wartung oder Nichteinhaltung der obigen Sicherheitshinweise zurückzuführen sind.

### Fettfilter

**Der Fettfilter filtert Fett-Teilchen.**

Der **Fettfilter** sollte einmal im Monat mit nicht aggressiven Reinigungsmitteln gereinigt werden, entweder manuell oder in der Spülmaschine mit einem kurzen Spülprogramm und bei niedriger Temperatur. Falls Sie den Fettfilter in der Geschirrspülmaschine reinigen, kann er sich leicht anfärben, was jedoch seine Filterkapazität nicht beeinflusst.

Um den Fettfilter zu entfernen, ziehen Sie am Federhebel.

### Kohlefilter (nur bei der Filterversion des Geräts)

Der Kohlefilter absorbiert schlechte Gerüche, die beim Kochen entstehen.

Nach längerem Gebrauch tritt eine Sättigung des **Kohlefilters ein**. Wie schnell die Sättigung des Kohlefilters auf tritt, hängt von der Kochmethode und der Häufigkeit der Reinigung des Fettfilters ab.

Auf jeden Fall sollte die Kohlefilterpatrone alle vier Monate erneuert werden.

Der Kohlefilter darf NICHT gewaschen oder regeneriert werden.

### Umlauf-Kohlefilter

Setzen Sie auf jeder Seite je einen Kohlefilter ein, sodass diese wie eine Abdeckung den Ventilatorgrill schützen; drehen Sie sie danach im Uhrzeigersinn.

Falls Sie den Umlauf-Kohlefilter nach dem Gebrauch entfernen möchten, drehen Sie ihn gegen den Uhrzeigersinn.

### Austausch des Leuchtmittels

Die Dunstabzugshaube ist mit einem LED-Beleuchtungssystem ausgestattet.

Die LED-Leuchtmittel bieten eine optimale Ausleuchtung, ihre Lebensdauer ist 10-mal höher als die Lebensdauer von normalen Leuchtmitteln, während sie gleichzeitig 90% Energieeinsparungen ermöglichen.

Bei einer Fehlfunktion des Beleuchtungssystems wenden Sie sich an den technischen Service.

## Noudata tiukasti tässä käsikirjassa asetettuja ohjeita.

Emme ota mitään vastuuta mahdollisista haitoista, vahingoista tai tulipaloista, jotka ovat seurausta tässä käsikirjassa olevien ohjeiden noudattamatta jättämisestä. Liesituuletin on suunniteltu ruoanlaitossa syntyvien käryjen ja höyryn imemiseen, ja se on tarkoitettu ainoastaan yksityöskäyttöön.

## Liesituuletin voi näyttää erilaiselta verrattuna tässä vihkosessa esitettyihin piirustuksiin. Käyttö-, huolto- ja asennusohjeet ovat kuitenkin samat.

! Säilytä tämä vihkonen myöhempää tarvetta varten. Jos tuote myydään, luovutetaan edelleen tai siirretään, varmista, että vihkonen toimitetaan sen mukana.

! Lue ohjeet huolellisesti läpi, ne sisältävät tärkeää tietoa asennuksesta, käytöstä ja turvallisuudesta..

! Älä tee sähköisiä tai mekaanisia muutoksia tuotteeseen tai sen poistokanaviin.

! Tarkasta, että kaikki laitteen osat ovat vahingoittumattomat ennen kuin asennat sen. Jos näin ei ole, ota yhteyttä jälleenmyyjäsi, äläkä asenna tuotetta.

**Huomaa:** symbolilla "(\*)" merkityt osat ovat valinnaisia varusteita, jotka toimitetaan vain tiettyjen mallien kohdalla tai jotka on ostettava erikseen.



## **HUOMIO**

### **VAROITUS!**

! Älä liitä laitetta sähköverkkoon ennen kuin asennus on täysin valmis.

! Irrota liesituuletin ennen kaikkia puhdistus- tai huoltotoimenpiteitä sähköverkosta irrottamalla pistoke tai erottamalla sähköverkon sähkönsyöttö.

! Pidä aina työkaluseinä asennus- ja huoltotoimenpiteissä.

! Laitetta ei ole tarkoitettu lasten tai sellaisten henkilöiden käyttöön, joiden fyysinen tai henkinen toimintakyky tai aistit ovat rajoittuneet tai joilla ei ole kokemusta tai tietoa laitteen käytöstä, muutoin kuin heidän turvallisuudestaan vastaavan henkilön valvonnassa tai opastuksella.

! Tämä laite on suunniteltu aikuisten käytettäväksi, lapsia on valvottava, jotta he eivät leikkisi laitteella.

! Tämä laite on suunniteltu aikuisten käytettäväksi. Älä anna lasten peukaloida ohjaimia tai leikkii laitteella.

! Älä milloinkaan käytä liesituuletinta ilman oikein asennettua ritilää!

! Liesituuletinta EI MILLOINKAAN saa käyttää tukipintana, ellei näin ole erityisesti kehoitettu.

! Laitteen asennuspaikan on oltava riittävän hyvin tuuletettu, kun liesituuletinta käytetään yhdessä muiden kaasulla tai muilla polttoaineilla toimivien laitteiden kanssa.

! Laitteen putkijärjestelmää ei saa liittää mihinkään muuhun tuuletusjärjestelmään, jota käytetään muhin tarkoituksiin, kuten pakokaasujen poistamiseen laitteista, jotka toimivat kaasulla tai muilla polttoaineilla.

! Ruokien liekittäminen liesituulettimen alla on kiellettyä.

! Avotulen käyttö on haitallista suodattimille ja voi aiheuttaa tulipalon vaaran, joten siitä on vältettävä kaikissa olosuhteissa.

! Paistettaessa on aina noudatettava varovaisuutta, jotta varmistetaan, että öljy ei ylikuumene ja syty palamaan.

! Liesituulettimen käsiksi päästävät osat voivat kuumentua, kun niitä käytetään keittolaitteiden kanssa.

! Jotta käryjen poistoa koskevia teknisiä ja turvallisuusmääräyksiä noudatetaan, on tärkeää noudattaa tarkoin paikallisten viranomaisten antamia säästöjä.

! Liesituuletin täytyy puhdistaa säännöllisesti sekä sisältä että ulkoa (VÄHINTÄÄN KERRAN KUUKAUDESSA).

! Tämä on tehtävä tässä käsikirjassa annettujen huolto-ohjeiden mukaisesti). Jos tämän käyttöoppaan sisältämiä liesituulettimen ja sen suodattimien puhdistusta koskevia ohjeita ei noudateta, on olemassa tulipalon vaara.

! Älä käytä liesituuletinta tai jätä sitä päälle, jos sen lamppua ei ole asennettu oikein; on olemassa sähköiskun vaara.

! Emme vastaa mistään laitteelle aiheutuneesta viasta, vahingosta, tai tulipalosta, joka on seurausta tämän käyttöoppaan sisältämien ohjeiden noudattamatta jättämisestä.

! Tämä tuote on merkitty sähkö- ja elektroniikkaromusta annetun Euroopan parlamentin ja neuvoston direktiivin 2002/96/EY (WEEE) mukaan. Hävittämällä tuotteen oikealla tavalla voit ehkäistä ihmisten terveydelle ja ympäristölle haitallisia vaikutuksia, joita jätteiden epäasianmukainen käsittely saattaa muussa tapauksessa aiheuttaa.



Tuotteessa tai tuotteen ohjeissa oleva merkki tarkoittaa, että laitetta ei saa hävittää kotitalousjätteenä. Sen sijaan se on toimitettava sopivaan sähkö- ja elektroniikkalaiteromulle tarkoitettuun keräyspisteeseen.

Jätteiden hävittämisessä on noudatettava asiaa koskevia paikallisia ympäristönsuojelumääräyksiä.

Lisätietoja tuotteen käsittelystä, keräämisestä ja kierrätyksestä voit pyytää jätehuollosta vastaavilta paikallisilta viranomaisilta, jätehuoltoyritykseltä tai liikkeestä, josta ostit tuotteen.

Laitte on suunniteltu, testattu ja valmistettu seuraavien standardien mukaisesti:

- **Turvallisuus:** EN/IEC 60335-1; EN/IEC 60335-2-31, EN/IEC 62233.
- **Suurituskyky:** EN/IEC 61591; ISO 5167-1; ISO 5167-3; ISO 5168; EN/IEC 60704-1; EN/IEC 60704-2-13; ISO 3741; EN 50564; IEC 62301.
- **EMC:** EN 55014-1; CISPR 14-1; EN 55014-2; CISPR 14-2; EN/IEC 61000-3-2; EN/IEC 61000-3-3.

Ehdotuksia tuotteen käyttämiseksi tavalla, joka vähentää sen ympäristövaikutuksia: Kytke liesituuletin PÄÄLLE miniminopeudella aloittaessasi ruuanlaiton ja anna sen käydä muutama minuutti sen jälkeen, kun olet lopettanut ruuanlaiton. Nosta nopeutta ainoastaan, jos käryä ja höyryä on paljon, ja käytä lisätehonerpeutta (-nopeuksia) vain äärimmäisissä tilanteissa. Vaihda hiilisuodatin (-suodattimet) tarvittaessa hyvän hajujen poistotehokkuuden ylläpitämiseksi. Puhdista rasvasuodatin (-suodattimet) tarvittaessa hyvän rasvan suodatustehokkuuden ylläpitämiseksi. Käytä tässä oppaassa mainittua imujärjestelmän enimmäishalkaisijaa poistotehon optimoimiseksi ja melun minimoimiseksi.

### Asennusta koskevia lisätietoja

Käytä asennuksessa ainoastaan tuotteen mukana toimitettuja kiinnitysruuveja, tai jos toimitukseen ei sisälly ruuveja, osta oikeantyyppiset ruuvit. Käytä oikeanpituisia ruuveja, pituus on ilmoitettu asennusohjeissa. Jos et ole varma, ota yhteyttä valtuutettuun huoltokeskukseen tai vastaavaan pätevään tahoon.

**VAROITUS!** Jos ruuveja ei asenneta tai laitetta kiinnitetä tämän ohjeen mukaisesti, seurauksena voi olla sähkötapaturmia.

## KÄYTTÖ

Liesituuletin on suunniteltu käytettäväksi joko käryt poistavana tai suodattavana versiona.



### Kanavoitusversio

Käryt siirretään rakennuksen ulkopuolelle erityistä putkea pitkin, joka on liitetty liesituulettimen yläosassa olevalla liitäntärenkaalla.

Huomio! Poistoputkea ei sisälly toimitukseen, vaan se on hankittava erikseen.

Poistoputken halkaisijan täytyy olla liitäntärenkaan kokoinen.

Vaakasuorilla osuuksilla poistoputken on oltava hieman kalteva (noin 10°) ja suunnattu ylöspäin, jotta ilma poistuisi tehokkaasti huoneesta.

Huomio! Jos liesituuletin toimitetaan aktiivihiiisuodattimen kanssa, silloin se täytyy poistaa. Liitä liesituuletin ja seinällä olevat poistoaukot halkaisijaltaan yhtä suuremman ilman poistoaukkoon (liitäntälaippa).

Käytettäessä putkia ja seinällä olevia poistoaukkoja, joiden halkaisijat ovat pienemmät, seurauksena on imutehon heikkeneminen ja voimakas melun lisääntyminen.

Siksi kaikesta vastuusta asiassa kieltäydytään.

! Käytä kanavaa, jossa on pienin välttämättömän tarpeellinen pituus.

! Käytä hormia, jossa on niin vähän mutkia kuin mahdollista (suurin taivekulma: 90°)

! Vältä jyrkkiä muutoksia hormin poikkileikkauksessa.

! Käytä hormia, joka on sisältä niin sileä kuin mahdollista.

! Hormin on oltava valmistettu sertifioidusta materiaalista.



### Suodatinversio

Versioon tarvitaan yksi aktiivihiiisuodatin, joka on saatavana tavalliselta jälleenmyyjältämme. Suodatin poistaa rasvan ja hajut imetystä ilmasta ja syöttää sen sitten takaisin huoneeseen ylempään poistoriitän kautta.

## ASENNUS

Keittotasolla olevien keittoastioiden tukipinnan ja liesituulettimen alhaisimman osan välinen pienin etäisyys ei saa olla alle 55cm sähkökeittotasojen ja 65 cm kaasui- tai monitoimikeittotasojen kohdalla.

Jos kaasukeittotasojen asennusohjeissa on määritetty suurempi etäisyys, sitä on noudatettava.



### Sähköliitäntä

Verkkovirran täytyy vastata liesituulettimen sisäpuolella sijaitsevalla levyllä ilmoitettua arvoa. Jos laite on varustettu pistokkeella, liitä liesituuletin asennuksen jälkeen määräystenmukaiseen pistorasiaan, johon pääsee helposti käsiksi. Jos liesituuletinta ei ole varustettu pistokkeella (suora sähköliitäntä) tai pistoke ei sijaitse paikassa, jossa siihen pääsee käsiksi asennuksen jälkeen, käytä standardien mukaista kaksinapaista kytkintä, joka varmistaa laitteen täydellisen erottamisen sähköverkosta asennusohjeiden mukaisesti olosuhteissa, jotka liittyvät ylivirtaluokkaan III.

**Varoitus!** Ennen kuin liität liesituulettimen uudelleen verkkovirtaan ja tarkastat, toimiiko se tehokkaasti, tarkasta aina, että virtajohto on asennettu oikein.



## Kiinnitys

Erittäin painava tuote; liesituulettimen käsittelyyn ja asennukseen vaaditaan aina vähintään kaksi henkilöä.

Ennen kuin aloitat asennuksen:

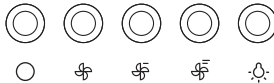
- Tarkasta, että ostettu tuote on sopivan kokoinen asennuspaikkaan.
- Poista hiilisuodattimet (\*), jos sellaiset sisältyvät toimitukseen (katso myös vastaava luku). Se/ne on asennettava ainoastaan, jos haluat käyttää liesituuletinta suodattavana versiona.
- Tarkasta, ettei liesituulettimen sisällä ole (kuljetussyistä) mitään muuta materiaalia (esim. ruuvipaketteja (\*), takuupapereita (\*), jne.), jotka on mahdollisesti poistettava ja säilytettävä.
- Mikäli mahdollista, irrota ja poista erillinen tai siirrettävissä oleva liesi keittiökaluksen aukosta, jotta takaseinään/kattoon pääsee paremmin käsiksi. Laita muussa tapauksessa työtason, keittotason tai liedien päälle paksu suojaeite sen suojaamiseksi vaurioitumiselta ja lialta. Valitse tasainen pinta laitteen kokoamiseksi, Peitä pinta suojaeiteellä ja aseta kaikki liesituulettimen osat ja kiinnityskappaleet sen päälle.
- Tarkasta myös, onko liesituulettimen asennusalueen lähellä (alueella, johon pääsee käsiksi myös liesituulettimen ollessa asennettuna) käytettävissä pistorasia, ja voidaanko ulkopuolelle liittää käyräpoistolaitte (vain imevä malli).
- Tee vaadittavat asennustyöt (esim. pistorasian asentaminen ja/tai reiän tekeminen poistoputkea varten vaadittavalle kanavalle).

Toimitukseen sisältyvät laajennustulpat on tarkoitettu kiinnittämään liesituuletin tyypisiin seinin/välikattoihin. Kuitenkin pätevän tekniikon on varmistettava, että materiaalit soveltuvat kyseessä oleville seinä-/kattotyypeille käytettäviksi. Seinän/välikaton täytyy olla riittävän vahva kantamaan liesituulettimen paino. **Älä kiinnitä laitetta seinään laatoilla, laastilla tai silikonilla. Vain pinta-asennus.**

## KÄYTTÖ

Käytä voimakasta imutehoa, jos keittiössä on voimakasta käryä. Suosittelemme käynnistämään liesituulettimen 5 minuutiksi ennen ruoanlaittoa ja antamaan sen käydä noin 15 minuuttia ruoanlaiton lopettamisen jälkeen.

### Mekaaniset säätimet



- ⏻ Sytytä valo painamalla valopainiketta. Sammuta valo painamalla sitä uudelleen.
- 🌀 Käynnistä moottori nopeudelle 1 painamalla Nopeus 1 -painiketta.
- 🌀 Käynnistä moottori nopeudelle 2 painamalla Nopeus 2 -painiketta.
- 🌀 Käynnistä moottori nopeudelle 3 painamalla Nopeus 3 -painiketta.
- Pysäytä moottori painamalla virrankatkaisupainiketta.

### Kosketussäätimet



- ⏻ Aloita moottorinopeuden valinta painamalla virtapainiketta.
- 🌀 Käynnistä moottori nopeudelle 1 painamalla Nopeus 1 -painiketta.
- 🌀 Käynnistä moottori nopeudelle 2 painamalla Nopeus 2 -painiketta.
- 🌀 Käynnistä moottori nopeudelle 3 painamalla Nopeus 3 -painiketta.
- ⏻ Sytytä valo painamalla valopainiketta. Sammuta valo painamalla sitä uudelleen.

## HUOLTO

**HUOMIO!** Ennen kuin suoritat laitteelle mitään huoltotoimenpiteitä, erota liesituuletin sähkönsyötöstä kytkemällä se pois päältä kytkimellä ja poistamalla kytkimen sulake.

Tai jos laite on kytketty pistokkeen ja pistorasian kautta, pistoke on irrotettava pistorasiasta.

### Puhdistus

Liesituuletin on puhdistettava säännöllisesti sisältä ja ulkoa (vähintään yhtä usein kuin suoritat rasvasuodattimien huollon). Puhdista liinalla, joka on kostutettu neutraalilla nestemäisellä pesuaineella. Älä käytä hankaavia tuotteita. **ÄLÄ KÄYTÄ ALKOHOLIA!**

**VAROITUS:** Jos liesituulettimen puhdistamista ja suodattimien vaihtoa koskevia perussuosituksia ei noudateta asianmukaisesti, voi seurauksena olla tulipalon vaara. Suosittelemme siis noudattamaan ohjeita.

Valmistaja ei ota minkäänlaista vastuuta moottorin vaurioitumisesta tai tulipalosta johtuvista vaurioista, jotka ovat seurausta epäasianmukaisesta huollosta tai turvallisuusohjeiden noudattamatta jättämisestä.

### Rasvasuodatin

Sieppaa keittorasvan hiukkasia.

Rasvasuodatin on puhdistettava kerran kuukaudessa miedolla pesuaineella joko käsin tai astianpesukoneessa, johon on valittava alhainen lämpötila ja lyhyt pesuohjelma. Pestäessä astianpesukoneessa rasvasuodatin voi värjäytyä hiukan, mutta tämä ei vaikuta sen suodatuskykyyn. Irrota rasvasuodatin vetämällä jousen vapautuskahvasta.

### Hiilisuodatin (vain suodatinmalli)

Se imee ruoanlaitossa syntyvät epämiellyttävät hajut.

Hiilisuodatin kyllästyy epäpuhtauksilla pitempiaikaisen käytön jälkeen riippuen ruoanlaittotavasta ja siitä, kuinka usein rasvasuodatin puhdistetaan.

Panos on kuitenkin vaihdettava vähintään neljän kuukauden välein.

Hiilisuodatinta EI saa pestä tai puhdistaa.

Pyöreä hiilisuodatin

Aseta yksi kummallekin puolelle peittämään kumpikin moottorin puhaltimen suojaritilä ja kierrä myötäpäivään.

Pura kiertämällä vastapäivään.

### Lamppujen vaihtaminen

Liesituuletin on varustettu LED-teknologiaan perustuvalla valojärjestelmällä.

LEDit takaavat optimaalisen valaistuksen, ja ne kestävät jopa 10 kertaa pidempään kuin perinteiset lamput ja mahdollistavat jopa 90 prosentin sähkön säästön.

Jos valaistusjärjestelmässä on toimintahäiriö, ota yhteys huoltoon.

## NO VENTILATOR

### Følg anvisningene i denne veiledningen nøye.

Vi fraskriver oss ethvert ansvar for problemer, skade eller brann som skyldes at anvisningene i denne veiledningen ikke er fulgt. Ventilatoren er konstruert for innsuging av matos og damp og er bare beregnet til bruk i private husholdninger.

Ventilatoren kan se annerledes ut enn på illustrasjonene i denne veiledningen. Anvisningene for bruk, vedlikehold og installasjon er imidlertid de samme.

! Det er viktig å ta vare på denne veiledningen slik at du kan slå opp i den senere. Ved salg, overdragelse eller flytting skal denne veiledningen legges ved produktet.

! Les anvisningene nøye: De inneholder viktig informasjon om installasjon, bruk og sikkerhet.

! Ikke foreta elektriske eller mekaniske endringer på produktet eller avtrekkskanalen.

! Før du begynner å installere apparatet, må du kontrollere at ingen komponenter er skadet. Hvis du oppdager skader, må du kontakte forhandleren og ikke fortsette med installasjonen.

**Merk:** Elementene som er merket med symbolet (\*), er ekstra tilbehør som er inkludert på noen modeller og som kan kjøpes som tilleggsutstyr til andre modeller.



**NB!**

**ADVARSEL!**

! Ikke koble ventilatoren til strømmettet før den er ferdig installert.

! Før rengjøring eller vedlikehold må ventilatoren kobles fra strømmettet ved å trekke ut støpslet eller koble ut strømforsyningen.

! Bruk alltid hansker når du utfører installasjons- og vedlikeholdsarbeid.

! Dette produktet er ikke beregnet til bruk av barn eller andre personer med reduserte fysiske, sensoriske eller mentale evner, heller ikke av personer som mangler erfaring og kunnskap, med mindre de er under tilsyn eller er instruert i bruken av produktet av en person som er ansvarlig for deres sikkerhet.

! Dette produktet er beregnet til å bli brukt av voksne, barn må holdes under oppsyn så de ikke leker med produktet.

! Dette produktet er beregnet på å betjenes av voksne. Ikke la barn fingre med bryterne eller leke med produktet.

! Ikke bruk ventilatoren uten et riktig montert gitter!

! Ventilatoren skal IKKE brukes som støtteunderlag, unntatt hvis dette er uttrykkelig spesifisert.

! Stedet der ventilatoren skal installeres, må være godt nok ventilert dersom produktet skal brukes samtidig som apparat som forbrenner gass eller andre typer brennstoff.

! Kanalsystemet til dette produktet må ikke kobles til noe eksisterende ventilasjonssystem som brukes til andre formål, for eksempel som avgasssystem for apparater som forbrenner gass eller andre brennstoffer.

! Flambering av mat under selve ventilatoren er strengt forbudt.

! Bruk av åpen flamme er skadelig for filterne og kan innebære brannfare og må derfor unngås under alle forhold.

! Pass alltid ekstra godt på ved frityrsteking slik at oljen ikke overopphetes og tar fyr.

! Tilgjengelige deler på ventilatoren kan bli varme når den brukes sammen med en koketopp.

! Når det gjelder tekniske sikkerhetstiltak i forbindelse med bortledning av avgasser, må lokale forskrifter følges til punkt og prikke .

! Ventilatoren må rengjøres regelmessig både på innsiden og utsiden (MINST ÉN GANG I MÅNEDEN).

! Rengjøringen må utføres i samsvar med vedlikeholdsanvisningene i denne veiledningen. Manglende overholdelse av anvisningene for rengjøring av ventilatoren og filterne kan medføre brannfare.

! Ikke bruk eller gå fra ventilatoren uten riktig montert lyspære, dette på grunn av mulig fare for elektrisk støt.

! Vi fraskriver oss ethvert ansvar for feil eller skade på produktet eller brann som skyldes manglende overholdelse av anvisningene i denne veiledningen.

! Dette apparatet er merket i henhold til europeisk direktiv 2002/96/EF om elektrisk og elektronisk avfall (WEEE). Sørg for riktig avhending av produktet slik at du bidrar til å forebygge miljøskader og helseskader.



Symbolet på produktet eller på dokumentene som følger med produktet, viser at dette apparatet ikke skal behandles som husholdningsavfall. Det skal leveres til et godkjent mottak for gjenvinning av elektrisk og elektronisk avfall.

Avhending må skje i henhold til lokale miljøforskrifter for avfallshåndtering.

For mer detaljert informasjon om behandling, innsamling og resirkulering av dette produktet kan du kontakte lokale myndigheter, den lokale renovasjonsbedriften eller butikken der du kjøpte produktet.

Apparatet er konstruert, testet og produsert i henhold til:

- **Sikkerhet:** EN/IEC 60335-1; EN/IEC 60335-2-31, EN/IEC 62233.
- **Kapasitet:** EN/IEC 61591; ISO 5167-1; ISO 5167-3; ISO 5168; EN/IEC 60704-1; EN/IEC 60704-2-13; ISO 3741; EN 50564; IEC 62301.
- **EMC:** EN 55014-1; CISPR 14-1; EN 55014-2; CISPR 14-2; EN/IEC 61000-3-2; EN/IEC 61000-3-3.

Tips om riktig bruk for å redusere miljøpåvirkningen: Slå PÅ ventilatoren på laveste hastighet når du begynner å lage mat, og la den stå på noen minutter etter at maten er ferdig. Øk hastigheten ved store mengder røyk og damp, og bruk høy tillegghastighet bare i ekstreme situasjoner. Skift ut kullfilter/kullfiltre når dette er nødvendig for å opprettholde effektiv luktreduksjon. Rengjør fettfilter/fettfiltre når dette er nødvendig for å opprettholde effektiv fettfiltrering. Bruk den maksimale diameteren på kanalsystemet som er angitt i denne veiledningen, for å optimere effektiviteten og minimere støyen.

### **Tilleggsspesifikasjoner for installasjon**

Bruk bare festeskruene som følger med produktet, under installasjonen. Hvis de ikke følger med, må du selv kjøpe riktig type skruer. Bruk riktig lengde på skruene, som angitt i installasjonsveiledningen. Kontakt et autorisert servicesenter eller lignende fagfolk hvis du er i tvil.

**ADVARSEL!** Hvis ikke skruene eller festeanordningen monteres i henhold til disse instruksjonene, kan dette føre til elektrisk fare.

## **BRUK**

Ventilatoren kan brukes enten som avtrekkskappe eller filterhette.



### **Med avtrekkskanal**

I denne versjonen føres matosen ut av bygningen ved hjelp av rør som kobles til tilkoblingsringen oppå ventilatoren.

NB! Avtrekkskanalen er ikke inkludert og må kjøpes separat.

Diameteren på avtrekkskanalen må være lik diameteren på tilkoblingsringen.

Den horisontale delen av avtrekkskanalen må helle litt oppover (ca. 10°) slik at luften lettere ventileres fra rommet og ut i friluft.

NB! Hvis ventilatoren leveres med aktivt kullfilter, må dette fjernes. Koble ventilator- og utløpsåpningene til veggen med en diameter som tilsvarer luftåpnet (tilkoblingsflens).

Bruk av rør og utløpsåpninger på veggen med mindre dimensjoner vil føre til redusert sugeseffekt og drastisk økning av støynivået.

Vi fraskriver oss derfor ethvert ansvar i slike tilfeller.

! Bruk et kortest mulig rør.

! Sørg for at kanalen har så få albuer som mulig (maksimal albuvinkel: 90°).

! Unngå store variasjoner i kanaltvernsnittet.

! Bruk en kanal som er så glatt som mulig innvendig.

! Kanalen må være laget av godkjent materiale.



### **Med filtersystem**

Til denne versjonen trengs det et aktivt kullfilter, og dette kan kjøpes hos forhandleren. Filteret fjerner fett og lukt fra den utsugde luften før det sender luften tilbake i rommet gjennom det øvre utløpsgitteret.

## **INSTALLASJON**

Minimumsavstanden fra støtteflaten for kokeutstyret på koketoppen og den laveste delen av ventilatoren må være minst 55 cm for elektriske komfyrer og 65 cm for gasstopper og kombinerte koketopper.

Hvis installasjonsveiledningen for gasstoppen angir større minsteavstand, må dette følges.



### **Elektrisk tilkobling**

Strømforsyningen må stemme overens med informasjonen på merkeskiltet på innsiden av ventilatoren. Hvis ventilatoren leveres med støpsel, må ventilatoren kobles til en stikkontakt som er i samsvar med gjeldende forskrifter og er plassert på et tilgjengelig sted, også etter installasjonen. Hvis ventilatoren ikke leveres med støpsel (direkte tilkobling til strømmettet) eller hvis støpslet ikke er plassert på et tilgjengelig sted etter installasjonen, må det brukes en topolet bryter i samsvar med standardene, som sikrer fullstendig frakobling av strømmettet i tilfelle overstrøm i kategori III, i samsvar med installasjonsveiledningen.

**Advarsel!** Før du koblet ventilatorkretsen til strømmettet igjen for å kontrollere om alt virker, må du alltid sjekke at strømledningen er riktig montert.

## Montering

Svært tungt produkt; håndtering og installasjon må utføres av minst to personer.

Før installasjon:

- Kontroller at produktet du har kjøpt, har en egnet størrelse for det valgte installasjonsområdet.
- Fjern kullfilter/kullfiltre (\*) hvis slike følger med (se også avsnittet om dette). Kullfilter/kullfiltre skal bare monteres hvis du vil bruke ventilatoren i et filtreringssystem.
- Kontroller at det ikke av transportgrunner er plassert noe medfølgende materiale på innsiden av ventilatoren (f.eks. pakker med skruer (\*), garantier (\*), osv.). Fjern eventuelt slikt materiale og ta vare på det.
- Hvis mulig må du koble fra og flytte frittstående eller innbygd komfyr fra skapåpningen for å gi bedre tilgang til bakveggen/taket. Du kan også legge et tykt beskyttelsesdeksel over kjøkkenbenken, koketoppen eller komfyren for å beskytte mot skader og avfall. Velg et flatt område for montering av enheten. Dekk underlaget med et beskyttelsesdeksel, og plasser alle delene til ventilatoren og maskinvaren oppå dette.
- I tillegg må du kontrollere om det finnes en tilgjengelig stikkontakt i nærheten av installasjonsområdet for ventilatoren (i et område som er tilgjengelig også etter at ventilatoren er montert), og at det er mulig å koble til en avtrekksenhet på utsiden (bare versjoner med avtrekk).
- Utfør alt nødvendig murarbeid (f.eks. installasjon av en stikkontakt og/eller et hull til gjennomføring av avtrekksrøret).

Ventilatoren leveres med ekspansjonsplugger slik at den kan festes til de fleste typer vegger/tak. Men en kvalifisert fagtekniker må kontrollere om materialet er egnet i forhold til typen vegg/tak. Vegg/taket må være solid nok til å tåle tyngden av ventilatoren. **Ikke bruk fliser, mur eller silikon for å feste ventilatoren til veggen. Bruk bare overflatemontering.**

## BETJENING

Bruk den høye sugehastigheten ved konsentrert matos. Vi anbefaler at avtrekksketten slås på fem minutter før matlaging, at den blir stående på under hele prosessen og i 15 minutter etter at maten er ferdig.

### Mekaniske kontroller



- ☼ Trykk på lysknappen for å slå PÅ lyset. Trykk en gang til på lysknappen for å slå AV lyset.
- ⚙ Trykk på knappen for hastighet 1 for å starte motoren med hastighet 1.
- ⚙ Trykk på knappen for hastighet 2 for å starte motoren med hastighet 2.
- ⚙ Trykk på knappen for hastighet 3 for å starte motoren med hastighet 3.
- Trykk på av/på-bryteren for å slå av motoren.

### Berøringskontroller



- ⏻ Trykk på av/på-bryteren for å begynne å velge viftehastighet.
- ⚙ Trykk på knappen for hastighet 1 for å starte motoren med hastighet 1.
- ⚙ Trykk på knappen for hastighet 2 for å starte motoren med hastighet 2.
- ⚙ Trykk på knappen for hastighet 3 for å starte motoren med hastighet 3.
- ☼ Trykk på lysknappen for å slå PÅ lyset. Trykk en gang til på lysknappen for å slå AV lyset.

## VEDLIKEHOLD

**NB! Før du utfører vedlikeholdsarbeid, må du koble ventilatoren fra strømforsyningen ved å slå av bryteren og fjerne sikringen. Eller hvis apparatet er tilkoblet med støpsel og stikkontakt, må du trekke støpslet ut av stikkontakten.**

### Rengjøring

Ventilatoren må rengjøres regelmessig innvendig og utvendig (minst like ofte som fettfiltrene). Rengjør med en klut fuktet i nøytralt oppvaskmiddel. Ikke bruk slipende produkter. **IKKE BRUK SPRIT!**

**ADVARSEL!** Manglende overholdelse av anvisningene for rengjøring av ventilatoren og utskifting av filtrene kan medføre brannfare. Derfor anbefaler vi sterkt at disse instruksjonene følges.

Produsenten fraskriver seg ethvert ansvar for skade på motoren eller brannskade som skyldes feil vedlikehold eller manglende overholdelse av sikkerhetsreglene ovenfor.

### Fettfilter

Samler opp stekefettpartikler.

Fettfilteret må rengjøres en gang i måneden med ikke-aggressive rengjøringsmidler, enten for hånd eller i oppvaskmaskin. Oppvaskmaskinen må i så fall stilles inne på en lav temperatur og et kort program. Hvis filtrene vaskes i oppvaskmaskin, kan fettfilteret bli litt misfarget, men dette betyr ingenting for filtreringsevnen. Du fjerner fettfilteret ved å trekke i det fjærbelastede håndtaket.

### Kullfilter (bare med filtersystem)

Det absorberer ubehagelig lukt som oppstår under tilberedningen.

Etter mer eller mindre langvarig bruk mettes kullfilteret, tiden avhenger av typen tilberedning og hvor ofte fettfilteret rengjøres.

Uansett er det nødvendig å skifte ut patronen minst hver fjerde måned.

Kullfilteret kan IKKE vaskes eller renses.

Rundt kullfilter

Sett et kullfilter hver side for å dekke både beskyttelsesgitrene til viftehjulet, og dreii med urviseren.

Drei mot urviseren for demontering.

### Skifte lyspære

Ventilatorene har et belysningsssystem basert på LED-teknologi.

LED-lysene sørger for optimal belysning, varer inntil 10 ganger lengre enn vanlige lyspærer og sparer inntil 90 % av strømmen.

Hvis belysningssystemet ikke fungerer som det skal, kan du ta kontakt med teknisk service.

## SV KÖKSFLÄKT

### Följ noga instruktionerna i denna bruksanvisning.

Tillverkaren tar inte ansvar för eventuella felaktigheter, skador eller brand som orsakas av att instruktionerna i denna bruksanvisning inte följs. Fläkten är konstruerad för utslag av matlagningsos och ånga och är endast avsedd för hushållsbruk.

### Köksfläktens faktiska utseende kan avvika från illustrationerna i denna bruksanvisningen. Instruktioner för användning, underhåll och installation är dock identiska.

! Det är viktigt att spara denna bruksanvisning för framtida bruk. Vid försäljning, överlämning eller flytt, se till att bruksanvisningen medföljer produkten.

! Läs instruktionerna noga: här finns viktig information om installation, användning och säkerhet.

! Gör inte elektriska eller mekaniska ändringar på produkten eller utgångsledningarna.

! Innan du fortsätter med installationen av apparaten, kontrollera att det inte finns några skadade komponenter. Kontakta i annat fall din återförsäljare och avbryt installationen.

**Observera:** föremål märkta med symbolen "(\*)" är tillbehör som endast medföljer vissa modeller eller som måste köpas separat.



## FÖRSIKTIGHET

### VARNING!

! Anslut inte apparaten till elnätet innan installationen har slutförts.

! Innan rengöring eller underhåll, koppla loss köksfläkten från elnätet genom att dra ut kontakten eller stänga av huvudströmmen.

! Använd alltid arbetshandskar vid installation och underhåll.

! Denna apparat är inte avsedd att användas av barn eller personer med nedsatt fysisk, sensorisk eller mental förmåga, eller som saknar kunskap och erfarenhet, om de inte övervakas eller har fått särskilda instruktioner om användningen av någon som ansvarar för deras säkerhet.

! Denna apparat är avsedd att användas av vuxna, barn ska övervakas för att säkerställa att de inte leker med apparaten.

! Denna apparat får endast användas av vuxna. Låt inte barn fingra på reglagen eller leka med apparaten.

! Använd aldrig köksfläkten om den inte är korrekt monterad!

! Köksfläkten får ALDRIG användas som stödyta om inte annat anges uttryckligen.

! Platsen där köksfläkten installeras måste vara tillräckligt ventilerad om köksfläkten används tillsammans med gasförbränningsenheter eller andra bränslen.

! Kanalsystemet för denna apparat får inte anslutas till ett befintligt ventilationssystem som används i annat syfte, som att avleda avgaser från apparater som bränner gas eller annat bränsle.

! Tillagning i öppen eld under fläkten är strängt förbjudet.

! Användning av öppen eld skadar filtren och kan utgöra en brandrisk och måste därför undvikas under alla omständigheter.

! Stekning måste göras försiktigt så att oljan inte blir överhettad och antänds.

! Tillgängliga delar av köksfläkten kan bli varma vid användning av tillagningsutrustning.

! Det är viktigt att följa föreskrifterna från lokala myndigheter gällande tekniska och säkerhetsmässiga åtgärder för ångavledning.

! Köksfläkten måste regelbundet rengöras både på insidan och utsidan (MINST EN GÅNG I MÅNADEN).

! Detta måste utföras i enlighet med underhållsinstruktionerna i denna bruksanvisning). Om instruktionerna i denna bruksanvisning gällande rengöring av kåpa och filter inte följs, kan det innebära brandrisk.

! Använd eller lämna inte kåpan utan att lampan är korrekt monterad, detta på grund av risk för elstöt.

! Vi påtar oss inget ansvar för fel, skada på apparaten, eller brand som orsakas av att instruktionerna i denna bruksanvisning inte följs.

! Denna apparat är märkt enligt EU-direktiv 2002/96/EG om avfall som utgörs av eller innehåller elektriska eller elektroniska produkter (WEEE).

Genom att tillse att denna produkt kasseras på rätt sätt hjälper du till att förebygga eventuella negativa konsekvenser för miljön och på människors hälsa, vilket annars skulle kunna orsakas till följd av olämplig kassering av denna produkt.



Symbolen på produkten eller på medföljande dokument indikerar att denna apparat kanske inte kan sorteras som hushållsavfall. I stället ska den lämnas in på lämplig uppsamlingsplats för återvinning av elektrisk och elektronisk utrustning.

Kassering måste ske i överensstämmelse med lokala miljönormer för avfall.

För mer information om behandling, insamling och återvinning av denna produkt, kontakta ansvarig avdelning hos de lokala myndigheterna, den kommunala miljöstationen eller din återförsäljare.

Apparaten är konstruerad, testad och tillverkad enligt:

- **Säkerhet:** EN/IEC 60335-1; EN/IEC 60335-2-31, EN/IEC 62233.
- **Prestanda:** EN/IEC 61591; ISO 5167-1; ISO 5167-3; ISO 5168; EN/IEC 60704-1; EN/IEC 60704-2-13; ISO 3741; EN 50564; IEC 62301.
- **EMC:** EN 55014-1; CISPR 14-1; EN 55014-2; CISPR 14-2; EN/IEC 61000-3-2; EN/IEC 61000-3-3.

Förslag på korrekt användning i syfte att reducera miljöpåverkan: Sätt fläkten på ON vid minimumhastighet när du börjar tillagningen och håll den igång i några minuter efter att tillagningen avslutats. Öka endast hastigheten vid stora mängder os och ånga och använd endast boost-funktionen i extrema situationer. Byt ut kolfiltret/-filtren vid behov för att bibehålla en bra luktbortledning. Rengör fettfiltret/-filtren vid behov för att bibehålla effektiviteten. Använd maximal diameter för kanalsystemet som indikeras i denna bruksanvisning för att optimera effektiviteten och minimera oljud.

### Ytterligare specifikationer för installationen

Använd endast fixeringsskruvarna som medföljer produkten för installation, eller om dessa inte medföljer, köp skruvar av rätt typ. Använd korrekt längd för skruvarna som anges i installationsanvisningen. Om du är osäker, kontakta ett auktoriserat servicecenter eller en behörig fackperson.

**WARNING!** Om skruvarna eller fästansordningarna inte installeras enligt dessa instruktioner kan det leda till elektriska risker.

## USE

Köksfläkten är utformad för att användas antingen som utsug eller med filter.



### Kanalansluten version

I detta fall leds ångorna ut ur byggnaden genom ett särskilt rör som är anslutet till anslutningsringen ovanpå köksfläkten.

**Obs!** Avledningsröret medföljer inte och måste köpas separat.

Avledningsrörets diameter måste vara identisk med anslutningsringen.

I horisontalläge måste avledningsröret luta något (ca. 10°) uppåt för att luften ska gå lätt från rummet och ut.

**Obs!** Om köksfläkten levereras med aktivt kolfilter måste det tas bort. Anslut köksfläkten och avledningshål på väggen med en diameter som är identisk med luftutsläppet (anslutningsflänsen).

Om ledningar och avledningshål har en mindre diameter innebär det sämre utsug och betydligt ökad bullernivå.

Ansvar kan inte övertas i detta fall.

! Använd en kanal med minsta längd.

! Använd en kanal med så få vinklingar som möjligt (maximal vinkel: 90°).

! Undvik drastiska ändringar i kanalens korsningar.

! Använd en kanal med så jämn invändig yta som möjligt.

! Kanalen måste vara tillverkad i godkänt material.



### Filterversion

Ett aktivt kolfilter behövs för detta och kan erhållas från våra återförsäljare. Filtret tar bort fett och lukt från utsugsluften och skickar sedan tillbaka luften in i rummet genom det övre utblåsningsgallret.

## INSTALLATION

Minsta avstånd mellan stödytan för matlagingsutrustning på hällen och den lägsta delen av köksfläkten är 55cm för elektriska hällar och 65 cm för gas- eller kombinerade hällar.

Om instruktionerna för installation av gashällen anger ett större avstånd ska detta följas.



### Elektrisk anslutning

Strömförsörjningen måste motsvara den som anges på plattan inuti kåpan. Om en kontakt medföljer, sätt kontakten i ett uttag i enlighet med föreskrifterna och på en tillgänglig plats efter installation. Om en kontakt inte medföljer (direktanslutning) eller om kontakten inte är placerad tillgängligt, anslut en dubbelpolig brytare efter installation i enlighet med föreskrifterna. Detta säkerställer fullständig frånkoppling från elnätet vid överbelastning i kategori III, i enlighet med instruktionerna för installation.

**Varning!** Innan du ansluter köksfläkten till elnätet igen och kontrollerar att den fungerar, se alltid till att kabeln är korrekt monterad.



## Montering

Mycket tung produkt; hantering och installation måste utföras av minst två personer.

Innan installationen påbörjas:

- Kontrollera att produkten passar vald installationsplats.
- Ta bort kolfiltret/-filtren (\*) om sådana medföljer (se även motsvarande avsnitt). Detta ska endast monteras om du vill använda fläkten som kolfilterfläkt.
- Kontrollera (av transportskäl) att det inte finns något annat medföljande material i köksfläkten (t.ex. påsar med skruvar (\*), garantipapper (\*), osv.), ta i detta fall bort dem och spara på lämplig plats.
- Om möjligt, koppla ifrån och flytta fristående eller inbyggt skåp för lättare åtkomst till bakomliggande vägg/innertak. I annat fall, lägg ett tjockt skydd över köksbänken eller spisen för att skydda dem mot skador och lösa föremål. Välj en plan yta för montering av enheten. Täck ytan med ett skydd och placera alla delar av fläkten på den.
- Kontrollera dessutom om ett elektriskt uttag finns tillgängligt i närheten av fläkten (även tillgänglig efter att fläkten har installerats) och att det är möjligt att ansluta ett utsug till utsidan (gäller endast utsugsfläkt).
- Utför allt förberedande arbete (t.ex. installation av ett elektriskt uttag och/eller ett hål för placering av kanalen).

Expansionspluggar medföljer för montering av köksfläkten på de flesta typer av väggar/tak. En kvalificerad tekniker måste dock godkänna materialens kompatibilitet med väggen/taket. Väggen/taket måste tåla vikten från köksfläkten. **Denna apparat får inte kaklas eller fästas med murbruk eller silikon till väggen. Endast ytmontering.**

## ANVÄNDNING

Använd hög utsugseffekt vid koncentrerade köksångor. Du rekommenderas att sätta igång fläkten 5 minuter innan matlagningen påbörjas och låta den vara på i ytterligare ca. 15 minuter efter att matlagningen avslutats.

### Mekaniska kontroller



- ☹: Tryck på lampknappen för att ställa lampan till ON. Tryck igen för att ställa lampan till OFF.
- ☞: Tryck på knappen Hastighet 1 för att starta motorn på hastighet 1.
- ☞: Tryck på knappen Hastighet 2 för att starta motorn på hastighet 2.
- ☞: Tryck på knappen Hastighet 3 för att starta motorn på hastighet 3.
- : Tryck på avstängningsknappen för att stänga av motorn.

### Touchkontroller



- ⏻: Tryck på knappen ON/OFF för att börja välja motorhastighet.
- ☞: Tryck på knappen Hastighet 1 för att starta motorn på hastighet 1.
- ☞: Tryck på knappen Hastighet 2 för att starta motorn på hastighet 2.
- ☞: Tryck på knappen Hastighet 3 för att starta motorn på hastighet 3.
- ☹: Tryck på lampknappen för att ställa lampan till ON. Tryck igen för att ställa lampan till OFF.

## UNDERHÅLL

**OBSERVERA!** Innan du utför något underhållsarbete, koppla loss köksfläkten från Strömförsörjningen genom att stänga av och ta bort kontaktens säkring.

Eller om apparaten har anslutits genom kontakt och uttag, dra ut kontakten från uttaget.

### Rengöring

Köksfläkten ska rengöras regelbundet (minst med samma intervall som du utför underhåll på fettfiltret), inuti och utanpå. Använd en trasa som fuktats med ett neutralt rengöringsmedel. Använd inte slipande produkter. **ANVÄND INTE ALKOHOL!**

**WARNING:** Om de grundläggande rekommendationerna för köksfläkten samt byte av filter inte följs kan det innebära brandrisk. Vi rekommenderar därför att du följer dessa instruktioner.

Tillverkaren fransäger sig allt ansvar för skador på motorn eller brandskador till följd av olämpligt underhåll eller till följd av att säkerhetsrekommendationerna ovan inte har följts.

### Fettfilter

Samlar in fett från matlagningen.

Fettfiltret måste rengöras en gång i månaden med milda rengöringsmedel, antingen för hand eller i diskmaskinen, vilken ska vara inställd på låg temperatur och kort program. Om det diskas i diskmaskin kan fettfiltret bli lätt missfärgat, men det påverkar inte filtreringseffekten. För att ta ut fettfiltret, dra i fjäderhandtaget.

### Kolfilter (gäller endast filterversion)

Den absorberar os under matlagning.

Efter en viss användningsperiod uppstår en mättnad i kolfiltret, beroende på vilken typ av tillagning och regelbundenheten hos rengöringen av fettfiltret.

Partronen ska alltid bytas ut minst var fjärde månad.

Kolfiltret får INTE rengöras eller regenereras.

Runt kolfilter

Sätt ett på varje sida för att täcka över båda motorgaller och vrid medsols.

Vid demontering, vrid motsols.

### Byta ut lamporna

Fläkten har LED-belysning.

LED-lamporna garanterar optimal belysning, en varaktighet på upp till 10 gånger mer än vanliga lampor och sparar upp till 90 % energi.

Om fel uppstår i belysningsystemet, kontakta teknisk support.

## DA EMHÆTTE

Følg brugsanvisningen nøje.

Producenten påtager sit intet ansvar for fejl, skader eller brand, som skyldes manglende overholdelse af instruktionerne i brugsanvisningen. Emhætten er beregnet til udsugning af mados og damp fra køkkenet i private husholdninger.

**Emhætten kan se anderledes ud end illustreret i brugsanvisningen. Instruktionerne vedrørende montering, brug og vedligehold er dog de samme.**

- ! Gem brugsanvisningen til eventuel senere brug. Hvis du sælger eller overdrager emhætten til andre, skal brugsanvisningen følge med.
- ! Læs brugsanvisningen grundigt. Den indeholder vigtige oplysninger om installation, brug og sikkerhed.
- ! Du må ikke foretage elektriske eller mekaniske ændringer på apparatet og på aftrækskanalen.
- ! Før du installerer produktet, skal du kontrollere, at ingen af delene er beskadigede. Hvis de er, skal du kontakte forhandleren og vente med at installere produktet.

Dele markeret med \* er ekstraudstyr, som kun følger med visse modeller, eller som skal købes separat.



### **FORSIGTIG**

#### **ADVARSEL!**

- ! Apparatet må ikke sluttes til lysnettet, før det er færdigmonteret.
- ! Afbryd apparatet fra lysnettet, inden du rengør eller vedligeholder det.
- ! Brug altid arbejdshandsker i forbindelse med montering og vedligehold.
- ! Dette apparat må ikke bruges af personer (herunder børn) med nedsatte fysiske, sensoriske eller mentale evner eller af personer med manglende erfaring og kendskab, medmindre de er under opsyn eller blevet instrueret i at bruge apparatet af en person, der er ansvarlig for deres sikkerhed.
- ! Apparatet er beregnet til at blive betjent af voksne. Sørg for, at børn ikke leger med apparatet.
- ! Apparatet skal betjenes af voksne. Lad ikke børn lege med betjeningspanelet eller apparatet.
- ! Apparatet må ikke bruges, medmindre det er monteret korrekt.
- ! Emhætten må aldrig bruges som afsætnings- eller støtteflade, medmindre det udtrykkeligt fremgår af brugsanvisningen.
- ! Sørg for tilstrækkelig udluftning i køkkenet, hvis der anvendes apparater, som drives af gas eller brændstof.
- ! Apparatet må ikke sluttes til eksisterende aftrækskanaler, der bruges som skorsten for gas-, brændstof- eller brændefyrede apparater.
- ! Det er forbudt at flambere mad under emhætten.
- ! Brug af åben ild under emhætten kan medføre beskadigelse af eller brand i filtrene og skal derfor undgås.
- ! Pas på, at madolie ikke overophedes og antændes under madlavningen.
- ! Emhætten kan blive meget varm på undersiden i forbindelse med madlavning.
- ! Overhold de gældende nationale regler for montering af apparatet for at sikre en effektiv og sikker bortledning af røg og em fra madlavningen.
- ! Emhætten skal rengøres regelmæssigt og mindst en gang om måneden både udvendigt og indvendigt.
- ! Dette skal udføres i henhold til instruktionerne i brugsanvisningen. Hvis rengøringsinstruktionerne for emhætten og filtrene ikke overholdes, kan det medføre risiko for brand.
- ! For at undgå elektrisk stød må emhætten ikke bruges eller efterlades, uden at pæren er monteret korrekt.
- ! Vi påtager os intet ansvar for fejl, skader på apparatet og brand som følge af, at instruktionerne i brugsanvisningen ikke følges.
- ! Dette udstyr er mærket i henhold til EU direktiv 2002/96/EØF om Affald fra elektriske og elektroniske produkter (WEEE). Bortskaf produktet korrekt, så du kan være med til at forebygge skader på miljøet og menneskers sundhed.



Symbolet, som findes på produktet eller i den medfølgende dokumentation, angiver, at produktet ikke må bortskaffes sammen med almindeligt husholdningsaffald. Det skal derimod afleveres på en miljøstation, som er godkendt til håndtering af elektrisk og elektronisk udstyr.

Bortskaffelse skal ske i overensstemmelse med lokale standarder for affaldsbortskaffelse.

Hvis du ønsker yderligere oplysninger om, hvordan apparatet genvindes, kan du henvende dig hos kommunen, en genbrugsstation eller forretningen, hvor du købte apparatet.

Apparatet er designet, testet og fremstillet i henhold til:

- **Sikkerhed:** EN/IEC 60335-1; EN/IEC 60335-2-31, EN/IEC 62233.
- **Ydelse:** EN/IEC 61591; ISO 5167-1; ISO 5167-3; ISO 5168; EN/IEC 60704-1; EN/IEC 60704-2-13; ISO 3741; EN 50564; IEC 62301.
- **EMC:** EN 55014-1; CISPR 14-1; EN 55014-2; CISPR 14-2; EN/IEC 61000-3-2; EN/IEC 61000-3-3.

Forslag til korrekt brug for at reducere miljøbelastningen: Tænd for emhætten på den laveste hastighed, når du starter tilberedningen, og lad den køre nogle få minutter efter endt tilberedning. Indstil kun emhætten på højere hastigheder, hvis der udvikles megen mados eller damp. Brug kun boost-hastigheder i ekstreme situationer. Udskift kulfilteret/kulfiltrene, når det er nødvendigt, for at emhætten stadig kan fjerne lugt fra luften. Rengør fedtfilteret/fedtfiltrene, når det er nødvendigt, for at emhætten stadig kan fjerne fedt fra luften. Brug en aftrækskanal med den maksimale diameter for at optimere effektiviteten og minimere støjen.

#### **Yderligere installationsoplysninger:**

Brug kun de medfølgende skruer til installationen, eller køb egnede skruer, hvis der ikke medfølger skruer til emhætten. Brug skruer med den korrekte længde som beskrevet i installationsanvisningen. Hvis du er i tvivl, skal du rådføre dig med en fagmand.

**ADVARSEL!** Hvis skruer og beslag ikke monteres korrekt i henhold til anvisningerne, kan det medføre risiko for elektrisk stød.

## **BRUG**

Emhætten kan enten bruges med aftræk eller med filter.



### **Til aftræk**

På denne model ledes røg ud af bygningen ved hjælp af røret, som skal forbindes med studsén øverst på emhætten.

**Vigtigt!** Aftræksrøret medfølger ikke og skal købes separat.

Aftræksrørets diameter skal passe til diameteren på studsén.

Hvis røret i princippet skal føres vandret, skal det i stedet have en hældning på cirka 10° opad, så luften lettere kan føres ud i det fri.

**Vigtigt!** Hvis emhætten er forsynet med et aktivt kul-filter, skal dette fjernes. Forbind emhætten og aftrækskullet i væggen med en slange eller et rør med en tilsvarende diameter.

Hvis du bruger rør eller slanger med en mindre diameter, kan det forringe emhættens sugsevne og øge støjniveauet.

Producenten påtager sig intet ansvar i den forbindelse.

! Aftrækskanalen skal være så kort som muligt.

! Aftrækskanalen skal have så få bøjninger som muligt (maks. vinkel: 90°).

! Undgå væsentlige ændringer i aftrækskanalens diameter.

! Aftrækskanalens inderside skal være så glat og jævn som muligt.

! Aftrækskanalen skal være udført i et egnet materiale.



### **Model med filter**

Der skal monteres et aktivt kul-filter. Dette kan købes hos din forhandler. Filteret fjerner fedt og lugt fra luften, før luften cirkuleres tilbage i rummet gennem emhættens overside.

## **INSTALLATION**

Afstanden mellem kogepladen og emhættens laveste del skal være mindst 55 cm for elkogeplader og 65 cm for gaskogeplader.

Hvis monteringsanvisningerne for gaskogepladen angiver en større minimumsafstand, skal denne overholdes.



### **Elektrisk tilslutning**

Emhætten skal tilsluttes en strømforsyning, som stemmer overens med oplysningerne på typeskiltet indvendigt i emhætten. Hvis emhætten er forsynet med en stikprop, skal denne sættes i en godkendt stikkontakt og altid være tilgængelig. Hvis emhætten ikke er forsynet med en stikprop (direkte tilslutning), eller hvis stikproppen ikke er tilgængelig efter tilslutning, skal emhætten tilsluttes af en autoriseret elektriker i henhold til de gældende regler.

Advarsel! Før strømmen slås til, og emhættens funktion efterprøves, skal du altid kontrollere, at ledningen er samlet og tilsluttet korrekt.

## Montering

Apparatet er meget tungt. Vær mindst to personer om at udføre installationen.

Før installationen:

- Kontroller, at apparatet passer i størrelsen til installationsstedet.
- Fjern aktiv kul-filteret\* (hvis det medfølger og er installeret). Aktiv kul-filtre skal kun bruges, hvis emhætten skal bruges til recirkulation.
- Kontroller, om der er andet (emballage, brugsanvisninger\*, pakker med monteringsdele\*) i apparatet, og tag dem i givet fald ud.
- Fjern om muligt eventuelle hvidevarer foran eller under monteringsstedet, så I nemmere kan komme til. Alternativt skal du lægge et tæppe eller lignende over bordplade og kogeplade for at beskytte dem mod skader og snavs fra installationen. Saml apparatet på en plan flade. Læg et tæppe ud, og anbring emhætten og alle dele på det.
- Kontroller, at der er en ledig stikkontakt i nærheden af monteringsstedet, og at det er muligt at slutte emhættens aftræk til en egnet aftrækskanal (kun ved aftræk).
- Foretag alt nødvendigt håndværkerarbejde (f.eks. etablering af stikkontakt og gennemføring af aftrækskanal).

Der medfølger rawlplugs til sikker montering i de fleste typer lofter og vægge. Hvis du er i tvivl, bør du rådføre dig med en fagmand for at sikre, at emhætten monteres forsvarligt. Væggen eller loftet skal være stærk nok til at bære emhættens vægt. Emhætten må ikke monteres på væggen med silikone, murlim eller spartelmasse. Den er ikke beregnet til indbygning i væggen.

## BETJENING

Brug høj udsugningshastighed, hvis der er megen røg i køkkenet. Det anbefales, at emhætten tændes 5 minutter før madlavning, og at den først slukkes 15 minutter efter endt madlavning.

### Mekanisk styring



- ☼ Tryk på knappen med dette symbol for at tænde for lyset. Tryk på knappen igen for at slukke for lyset.
- ☼ Tryk på knappen med dette symbol for at starte motoren på hastighedstrin 1.
- ☼ Tryk på knappen med dette symbol for at starte motoren på hastighedstrin 2.
- ☼ Tryk på knappen med dette symbol for at starte motoren på hastighedstrin 3.
- Tryk på knappen med dette symbol for at slukke for motoren.

### Tryk på kontrol



- ⏻ Tryk på tænd/sluk-knappen at tænde for apparatet, så du kan vælge hastighedstrin.
- ☼ Tryk på knappen med dette symbol for at starte motoren på hastighedstrin 1.
- ☼ Tryk på knappen med dette symbol for at starte motoren på hastighedstrin 2.
- ☼ Tryk på knappen med dette symbol for at starte motoren på hastighedstrin 3.
- ☼ Tryk på knappen med dette symbol for at tænde for lyset. Tryk på knappen igen for at slukke for lyset.

## VEDLIGEHOLDELSE

**VIGTIGT!** Afbryd emhætten fra lysnettet ved at slukke for stikkontakten eller slå relæet fra, før du udfører vedligeholdelsesarbejde på emhætten.

Hvis emhætten er tilsluttet en stikkontakt, skal du afbryde emhætten fra lysnettet ved at trække stikket ud af stikkontakten.

### Rengøring

Emhætten skal regelmæssigt rengøres indvendigt og udvendigt (mindst lige så ofte, som du vedligeholder fedtfilterne). Brug en fugtig klud og et mildt rengøringsmiddel. Brug ikke slibende rengøringsmidler. Brug ikke alkohol.

**ADVARSEL!** Hvis du ikke overholder disse grundlæggende anbefalinger for rengøring og udskiftning af filtre, kan det medføre risiko for brand.

Du bør derfor overholde disse anbefalinger.

Producenten fraskriver sig ethvert ansvar for skader på motoren eller brand som følge af mangelfuld vedligeholdelse og rengøring eller manglende overholdelse af ovenstående sikkerhedsforskrifter.

### Fedfilter

Opfanger fedtpartikler fra luften

Fedfilteret skal rengøres en gang om måneden med milde rengøringsmidler, enten ved vask i hånden eller i opvaskemaskine ved lav temperatur og kort programvarighed. Fedfilteret kan blive let misfarvet ved vask i opvaskemaskine. Dette påvirker dog ikke filterets kapacitet.

Træk i det fjederbelastede udløsergreb for at afmonteret fedtfilteret.

### Aktiv kul-filter (kun model med recirkulation)

**Filteret absorberer ubehagelige lugte fra madlavningen.**

Aktiv kul-filteret mættes efter nogen tids brug, afhængigt af brugsmønsteret, og af hvor ofte du rengør fedtfilteret.

Det er nødvendigt at udskifte aktiv kul-filteret mindst hver fjerde måned.

Aktiv kul-filteret må IKKE vaskes eller genbruges.

Rundt kulfilter

Anbring et filter på hver side af motorimpelleren, og drej dem med uret.

Drej dem mod uret for at afmontere dem.

### Udskiftning af pærer

Emhætten er forsynet med LED-belysning.

LED-lyskilderne giver optimal belysning i op til 10 gange så lang tid og sparer samtidigt op til 90% energi i forhold til konventionelle lyskilder.

Hvis belysningssystemet ikke fungerer rigtigt, bedes du kontakte teknisk service.