

EN

DETAILED INSTRUCTIONS FOR USE OF WINE COOLER

HK

酒柜使用说明书

gorenje



WCIU2090A1
WCIU3090A1
WCIU609BA2

We thank you for the confidence you have shown by purchasing our appliance which is designed to simplify your life. To make the use of the product easier, we have supplied detailed instructions for use. The instructions should allow you to learn about your new appliance as quickly as possible.

We wish you find a lot of pleasure in its use.

The appliance is intended solely for household use.

Please visit our website where you can enter your appliance model number, indicated on the rating plate or the warranty sheet, to find detailed description of your appliance, tips on use, troubleshooting, service information, instructions for use etc.



<http://www.gorenje.com>



Important safety warning



General warnings and tips



Protecting the environment



Do not wash in the dishwasher

CONTENTS

4 IMPORTANT NOTES AND PRECAUTIONS 4 BEFORE USING THE APPLIANCE FOR THE FIRST TIME 5 IMPORTANT SAFETY INSTRUCTIONS 8 IMPORTANT INFORMATION ON THE USE OF APPLIANCE 9 ENVIRONMENT PROTECTION 10 ADVICE FOR SAVING POWER WITH REFRIGERATION APPLIANCES	INTRODUCTION
11 INSTALLATION AND CONNECTION 13 APPLIANCE DESCRIPTION 14 OPERATING THE APPLIANCE 19 APPLIANCE INTERIOR EQUIPMENT	APPLIANCE DESCRIPTION
20 CLEANING THE APPLIANCE	CLEANING THE APPLIANCE
21 TROUBLESHOOTING 23 INSTALLING THE WINE COOLER	MISCELLANEOUS

IMPORTANT NOTES AND PRECAUTIONS

BEFORE USING THE APPLIANCE FOR THE FIRST TIME

Before connecting the appliance to the power mains, please read carefully the instructions for use which describe the appliance and its correct and safe use. The instructions apply to several appliance types/models; thus, settings or equipment may be described herein which is not available in your appliance. We recommend saving this instruction manual for future reference and attach it to the appliance if it is sold in the future.

Check for any damage or irregularities on your appliance. If you find your appliance is damaged, notify the retailer from which you have purchased the appliance.

Before connecting the appliance to the power mains, let the appliance rest in a vertical position for a minimum of 24 hours. This will reduce the possibility of operation faults due to the effect of transport on the cooling system.



IMPORTANT SAFETY INSTRUCTIONS



WARNING! Risk of fire/flammable materials.

The appliance must be connected to the power mains and grounded in compliance with the effective standards and regulations.

WARNING! Do not locate multiple portable socket-outlets or portable power supplies at the rear of the appliance.

Before cleaning the appliance, unplug it from the power mains (unplug the power cord from the wall outlet).

WARNING! If the supply cord is damaged, it must be replaced by the manufacturer, its service agent or similarly qualified persons in order to avoid a hazard.

WARNING! When positioning the appliance, ensure the supply cord is not trapped or damaged.

If LED lighting does not work, call a service technician. Do not attempt a repair of the LED lighting yourself, as there is danger of contact with high voltage!



WARNING! Do not use any electric devices inside the appliance, except for those allowed by the manufacturer of this refrigeration appliance.



WARNING! Do not use mechanical devices or other means to accelerate the defrosting process, other than those recommended by the manufacturer.



WARNING! To avoid any hazard resulting from poor stability of the appliance, make sure it is installed as instructed.

Under no circumstances should any external covers be removed for servicing or maintenance except by suitably qualified personnel.

WARNING: Do not damage the refrigerant circuit.

Safety of children and vulnerable persons

The appliance is not intended for use by persons (including children) with reduced physical, sensory or mental capabilities, or lack of experience and knowledge, unless they have been given supervision or instruction concerning use of the appliance by a person responsible for their safety.

Children should be supervised to ensure that they do not play with the appliance.

Cleaning and user maintenance shall not be made by children without supervision.

Cleaning and user maintenance shall not be made by children without supervision.

Remove the packaging intended to protect the appliance or particular parts during transport and keep it outside the reach of children.

It presents danger of injury or suffocation.

For European markets only

This appliance can be used by children aged from 8 years and above and persons with reduced physical, sensory or mental capabilities or lack of experience and knowledge if they have been given supervision or instruction concerning use of the appliance in a safe way and understand the hazards involved.

Children shall not play with the appliance.

Cleaning and user maintenance shall not be made by children without supervision.

Children aged from 3 to 8 years are allowed to load and unload refrigerating appliances.

Warning regarding the refrigerant

The appliance contains a small amount of an environmentally friendly yet flammable gas R600a. Make sure that no parts of the cooling system are damaged. A gas leak is not hazardous to the environment, but it could cause eye injury or fire.

In case of a gas leak, ventilate the room thoroughly, disconnect the appliance from the power mains, and call a service technician.

Please keep the products away from the fire or similar glowing substance before you dispose the appliance.

GWP(Global Warming Potential): R600a=3

IMPORTANT INFORMATION ON THE USE OF APPLIANCE

WARNING! This appliance is intended to be used in household and similar applications such as:

- staff kitchen areas in shops, offices and other working environments;
- farm houses and by clients in hotels, motels and other residential type environments;
- bed and breakfast type environments;
- catering and similar non-retail applications.

i This appliance is for domestic purposes only and is intended to be used exclusively for the storage of sealed bottled wines and beverages.

i WARNING! Keep ventilation openings, in the appliance enclosure or in the built-in structure, clear of obstruction.

The appliance may not be used outdoors and it may not be exposed to rain.

Do not store explosive substances such as aerosol cans with a flammable propellant in this appliance.

If the appliance will be out of use for an extended period of time, switch it off using the relevant button, and unplug it from the power mains. Empty the appliance, defrost it, clean it, and leave the door ajar.

Technical information on the appliance

Rating plate can be found in the back of appliance. It indicates data on voltage, gross and net volume, type and amount of refrigerant, and information on the climate classes.



ENVIRONMENT PROTECTION

Packaging is made of environmentally friendly materials that can be recycled, disposed of, or destroyed without any hazard to the environment.



Removing an obsolete appliance

To protect the environment, take the obsolete appliance to an authorized home appliance collection centre.

Before doing so, do the following:

- disconnect the appliance from the power mains;
- do not allow children to play with the appliance.



WARNING! Do not damage the refrigerant circuit. This will also prevent pollution.



The symbol on the product or its packaging indicates that the product should not be treated as normal household waste. The product should be taken to an authorized collection centre for waste electric and electronic equipment processing. Correct disposal of the product will help prevent any negative effects on the environment and health of people which could occur in case of incorrect product removal. For detailed information on removal and processing of the product, please contact the relevant municipal body in charge of waste management, your waste disposal service, or the store where you bought the product.



ADVICE FOR SAVING POWER WITH REFRIGERATION APPLIANCES


- Install the appliance as specified in the instruction manual.
- Occasionally make sure air circulation underneath the appliance is unobstructed.
- If the gasket is damaged or does not provide a perfect seal for any reason, have it replaced as soon as possible.
- In appliances with a fan, do not block the fan slots or vents.
- Only store wine in sealed containers.
- Do not overload the cabinet.
- Only open the door when necessary. Opening the door for long periods can cause a significant increase in temperature of the compartments of the appliance
- Do not cover the shelves with aluminium foil or anything else that will prevent air from circulating around the cabinet.
- To prevent damage to the door seal, ensure the door is fully open before removing the shelves.
- Do not pull the shelves beyond the anti-stop position (approximately one third out) when fully loaded.
- This appliance is intended to be used exclusively for the storage of wine.
- In the event of a power failure, leave the door closed as much as possible to maintain the internal working temperature. Should the power failure continue for a prolonged period, you should take steps to protect the contents of the wine cooler against a rise in temperature. The wine cooler will remember the selected temperature settings and revert to these settings once the power is restored.

INSTALLATION AND CONNECTION

SELECTING THE ROOM

- Install the appliance in a dry and well ventilated room. The appliance will operate correctly if the environment temperature is in the interval specified in the table. The appliance class is indicated on the rating plate / label with the basic information on the appliance.

Class	Temperature	Relative Humidity
SN (subnormal)	from +10 °C to +32 °C	≤75%
N (normal)	from +16 °C to +32 °C	
ST (subtropical)	from +16 °C to +38 °C	
T (tropical)	from +16 °C to +43 °C	

-  • Do not place an appliance in a room where temperature can drop to below 5 °C as this may cause abnormal appliance operation or failure!
- After the installation, the appliance mains plug should be accessible!
- Do not place the appliance near appliances or devices radiating heat, such as a cooker, a stove, a radiator, water heater etc., and do not expose it to direct sunlight. The appliance should stand at least 3 cm away from an electric or gas cooker or at least 30 cm away from an oil or solid fuel stove. If the distance between such source of heat and the appliance is smaller, use an insulating panel.

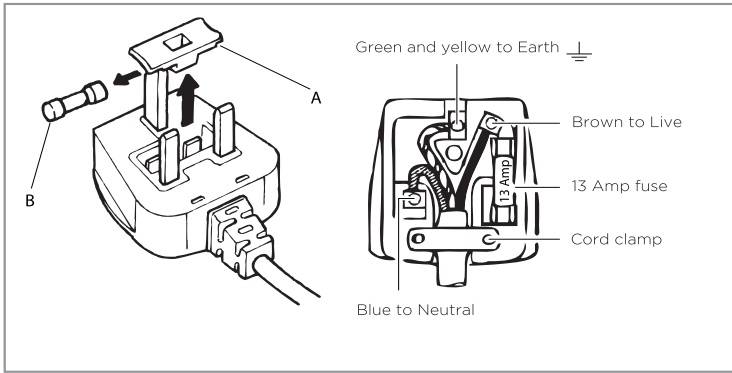
Note: Place the appliance in a sufficiently large room. There should be at least 1 m³ of space per 8 grams of refrigerant. Amount of refrigerant is indicated on the rating plate in the appliance interior.

- There should be an opening or a vent of at least 200 cm² behind the appliance, and the clearance between the appliance and any cabinet above it should be at least 5 cm, to allow cooling of the condenser unit.

CONNECTING THE APPLIANCE



WARNING! This appliance must be earthed.



The mains lead of this appliance has been fitted with a BS 1363A 13 amp fused plug. To change a fuse in this type of plug, follow the steps below:

1. Remove the fuse cover and fuse.
2. Fit replacement 13A fuse, ASTA approved to BS 1362 type, into the fuse cover.
3. Replace fuse cover.

Important: Do not use the appliance without the fuse cover in position.

How to connect an alternative plug

If the fitted plug is not suitable for your socket outlet, then it should be cut off and disposed of safely to avoid possible shock hazard. A suitable alternative plug of at least 13 Amp rating to BS 1363 should be used.

As the colours of the wires in the mains lead of this appliance may not correspond with the coloured markings identifying the terminals in your plug, proceed as follows:

- The wire which is coloured GREEN and YELLOW must be connected to the terminal which is marked with the letter (E) or by the Earth symbol \perp or coloured GREEN and YELLOW.
- The wire which is coloured BLUE must be connected to the terminal which is marked with the letter (N) or coloured BLACK.
- The wire which is coloured BROWN must be connected to the terminal which is marked with the letter (L) or coloured RED.

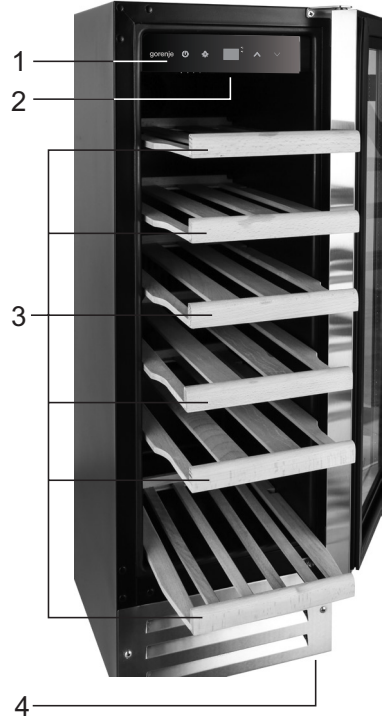
If in doubt regarding the electrical connection of this appliance, consult a qualified electrician. Do not shorten the supply cable; the appliance may require removing for servicing.

N.B. Ensure that the plug socket is situated in an easily accessible place.

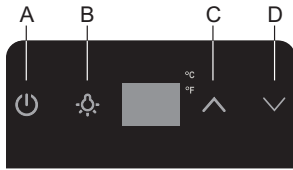
APPLIANCE DESCRIPTION

Appliance interior equipment may change according to the appliance model.

- 1 Control unit
- 2 LED lighting
- 3 Pull-out shelves (max capacity: see page 19)
- 4 Adjustable- height feet



OPERATING THE APPLIANCE



WCIU2090A1

- A** Power button
- B** Light button
- C** »+« button
- D** »-« button



WCIU3090A1

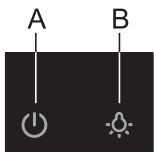
- A** Power button
- B** Light button
- C** »+« button
- D** »-« button



WCIU609BA2

- A** Power button
- B** Light button
- C** »+« button
- D** »-« button
- E** Temperature display button
- F** Zone selection button

TO LOCK/UNLOCK THE CONTROL PANEL - ALL MODELS



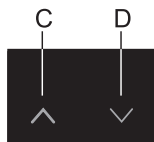
- Press and hold the power button **A** and the light button **B** for approximately 4 seconds.
- The control panel locks automatically after approximately 15 seconds of inactivity.

TO SWITCH THE POWER ON/OFF - ALL MODELS



- Press and hold the power button **A** for approximately 4 seconds to switch the wine cooler on.
- Press and hold the power button **A** for approximately 4 seconds to switch the wine cooler off.

TO CHANGE THE TEMPERATURE - ALL MODELS



- Unlock the control panel, as per page 14, if necessary.
 - Press the **C** or **D** buttons until the required temperature is shown on the display.
 - The display flashes when temperature adjustment is active or a different temperature is being set.
- The appliance will work continuously until it gets to the correct temperature. Continuous noise from the compressor and refrigeration system is normal.
 - If the appliance is switched off, you should allow five minutes before switching it on again to prevent the risk of unnecessary damage to the compressor.
 - The LED display may not show the selected temperature whilst the appliance first gets to the correct temperature. This is normal, and the display will be corrected automatically once the appliance has run for a few hours.

TO CHANGE THE ZONE CONTROL - WCIU609BA2

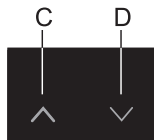


- Unlock the control panel, as per page 14, if necessary.
- Press the button **F**. The 'active' display will flash.
- The temperature range for upper zone is from 5°C to 12°C (left display) and for lower zone from 12°C to 22°C (right display).

Note!

The adjusted temperatures of the upper and lower compartments are linked to each other. Some combinations of settings are not possible.

TO CHANGE THE TEMPERATURE READING - WCIU2090A1, WCIU3090A1



You can change the temperature display reading from Fahrenheit to Celsius, or Celsius to Fahrenheit.

- **The control panel must be locked (see page 14).**
- Press and hold the **C** or **D** buttons for approximately 4 seconds.

TO CHANGE THE TEMPERATURE READING - WCIU609BA2



You can change the temperature display reading from Fahrenheit to Celsius, or Celsius to Fahrenheit.

- **Unlock the control panel, as per page 14, if necessary.**
- Press the **E** button.

OPTIMAL TEMPERATURE SELECTION

Below is a table showing the recommended storage temperatures for different types of wine. These are also the ideal drinking temperatures for most types.

Wine Type	Recommended Temp.
Red Wine	15 - 18°C (59°F-64°F)
Dry / White Wine	9 - 14°C (48°F-57°F)
Rosé Wine	10 - 11°C (50°F-52°F)
Sparkling Wine	5 - 8°C (41°F-46°F)

To use the internal light



- Unlock the control panel, as per page 14, if necessary.
- Press the light button **B** to switch the light on or off.

TEMPERATURE DISPLAY

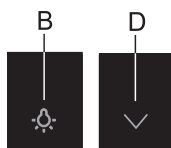
This appliance has two options for the temperature display. One option shows the set or target temperature in the wine cooler. The other option shows the real temperature within the wine cooler, and can be useful for actively monitoring the wine cooler's behaviour. Descriptions and further information on these display options are shown below.

Set temperature display

- The temperature display will show the set temperature (the temperature that the cooler is working to achieve).
- **A decimal point '.' next to the temperature signifies that the wine cooler is working to achieve the set temperature.** When the decimal point disappears, or if it is not present, the cooler's sensor has detected that the set temperature has been reached. The decimal point may reappear periodically when the cooling system kicks in to maintain the temperature.
- The display flashes when temperature adjustment is active or a different temperature is being set.

Real temperature display

- The temperature display will show the real or actual temperature within the wine cooler.
- **A decimal point '.' next to the temperature signifies that the wine cooler is working to achieve the set temperature.** When the decimal point disappears, or if it is not present, the cooler's sensor has detected that the set temperature has been reached. The decimal point may reappear periodically when the cooling system kicks in to maintain the temperature.
- The display flashes when temperature adjustment is active or a different temperature is being set.



To change the temperature display

- **The control panel must be locked (see page 14).**
 - Touch and hold the light button **B** and the button **D** for approximately 2 seconds.
 - The display will show '02' or '01', depending upon which display setting has been active.
- Use the button **D** to switch between '02' and '01'. '02' is the Set temperature display mode and '01' is the Real temperature display mode. Once the mode you desire is shown on the display, touch nothing for approximately 5 seconds. The appliance should beep and switch to the new display mode.

QUIET MODE

This appliance has a quiet mode. Whilst active, and once the set temperature is reached, the appliance slows down the internal fan(s) to reduce the running noise.

To deactivate quiet mode



The control panel must be locked (see page 14). Press and hold the light button **B** for approximately 3 seconds. Depending on whether you have the display set to Fahrenheit or Celsius, the °C or °F symbol will stay solidly lit to indicate that the mode is inactive.

To activate quiet mode



The control panel must be locked (see page 14). Press and hold the light button **B** for approximately 10 seconds. Depending on whether you have the display set to Fahrenheit or Celsius, the °C or °F symbol will start blinking to indicate that mode is active.

TEMPERATURE ALARM

If the temperature rises or falls outside the set temperature range, an alarm will sound and the display may show a fault.

This may be because:

- The wine cooler has not yet reached the set temperature (when first switched on) or is taking a long time to reach it.
- There has been a power failure.
- The wine cooler has been overloaded or damaged.
- The door is not closed properly.
- The temperature sensor has failed (see page 22).

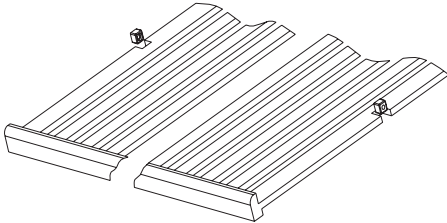
Please note: If the wine cooler has overheated and the alarm is sounding because of this, the system will shut down automatically after 6 hours of the alarm tripping. The warnings will continue however.

APPLIANCE INTERIOR EQUIPMENT



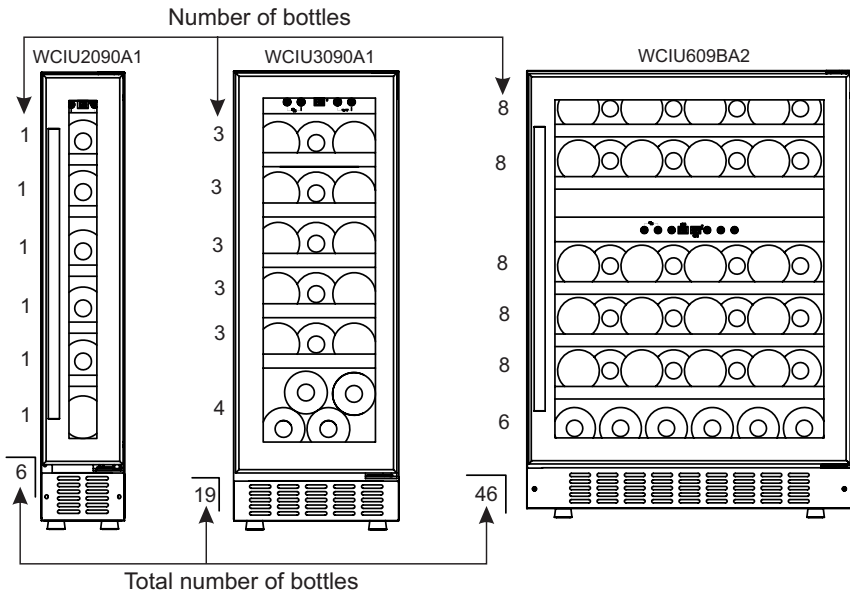
SHELVES

(only for models WCIU3090A1 and WCIU609BA2)



- To remove a shelf first remove all bottles from the shelf, then pull the shelf forwards until the groove on either side of the shelf is level with the plastic peg on either side of the cabinet (as shown in Fig). Then lift the shelf up and pull forwards.
- To replace the shelves, follow the steps above in reverse order.

STORAGE DIAGRAM



CLEANING THE APPLIANCE



Before cleaning, unplug the appliance from the power mains – switch off the appliance (see chapter Switching the Appliance On/Off) and unplug the power cord from the wall outlet.

- Use a soft cloth to clean all surfaces. Cleaners that contain abrasive substances, acids, or solvents are not suitable for cleaning as they may damage the surface.

Clean the appliance **exterior** with water or a mild solution of suds.

Wipe the **inside surfaces** with a sponge and baking soda solution. The solution should be about 2 tablespoons of baking soda to 1 quart (approx. 1 litre) of warm water. Wash the shelves with a mild detergent solution. Allow wooden shelves to dry before placing back into the wine cooler.

Do not use steel wool or steel brush on the stainless steel. These will scratch the stainless steel with steel particles and rusting may occur.



Appliance **interior** can be cleaned with lukewarm water to which you can add some **vinegar**.



- Do not wash the parts of appliance interior equipment in a dishwasher as they may be damaged.

TROUBLESHOOTING

Problem:	Cause or remedy
If the appliance is not working, check	<ul style="list-style-type: none"> • There is power to the appliance • The house fuses or circuit breakers are intact and the fuse in the plug has not blown. • The plug socket is functioning correctly. To check this, plug another electrical appliance in to see if the socket is working. • The ambient temperature is between 16°C to 38°C.
The appliance is working, but not very well, check	<ul style="list-style-type: none"> • The appliance is not overloaded. • The thermostat is set to an appropriate temperature. • The door is closing properly. • The door gasket is sealing properly • There is enough ventilation at the side and rear walls. • The ambient temperature is between 16°C to 38°C.
The appliance is noisy, check	<ul style="list-style-type: none"> • The appliance is level and stable. • The cooling gas will make some noise, even when the compressor is not running. • During operation, it is normal for the fan to run, even when the compressor is not running.
Condensate (dew) on the shelf	<ul style="list-style-type: none"> • This is transient phenomenon which cannot be entirely avoided in periods of high environment temperature and humidity. It subsides when temperature and humidity are normalized.
The appliance is turning cooling on and off frequently	<ul style="list-style-type: none"> • The internal temperature is fluctuating, causing the system to cool..
The light does not work, check	<ul style="list-style-type: none"> • There is power to the appliance. • The house fuses or circuit breakers are intact and the fuse in the plug has not blown. • The light button is not set to off (unlock the panel first as per page 14). <p>Please note: The LED lighting cannot be replaced without a service call. If the light fails, contact Gorenje Customer Care.</p>

Problem:	Cause or remedy
The door will not close properly, check	<ul style="list-style-type: none"> • The appliance is level and stable. • If the door has been removed, it may not have been correctly refitted. • Whether the door seal is dirty. • The shelves are positioned correctly.
The display shows “LL” or “HH”	<ul style="list-style-type: none"> • The temperature sensor has failed. Please contact Gorenje Customer Care.

If the above tips do not resolve your problem, call the nearest authorized service centre and state the type, model, and serial number indicated on the appliance rating plate or label located in the appliance interior.

INSTALLING THE WINE COOLER

This appliance is intended to be installed in a space between two units. If it is to be freestanding in an open space, ensure that it can not cause harm nor damage.

The minimum space required is:

WCIU2090A1 – 150mm W x 570mm D x 830/890mm H

WCIU3090A1 – 300mm W x 570mm D x 830/890mm H

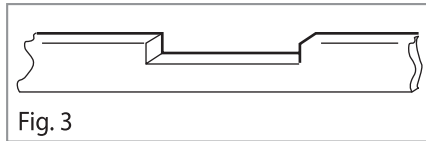
WCIU609BA2 – 600mm W x 570mm D x 830/890mm H

Please note: When the product is installed, there should be a small ventilation gap between the top of the unit and the underside of the worktop (6 mm or 1/4”).

These products should not be installed:

1. In direct sunlight.
2. Adjacent to a heat source (oven or radiator).
3. Below a hob unit.
4. In a damp or wet environment

Where a continuous plinth is to be used, it is necessary to cut a section out so that the ventilation slots at the front of the appliance are not obstructed in any way as per Fig 3.



This appliance is designed to fit under worktops between 830 – 890mm in height, using the adjustable plinth plate to ensure that the feet are concealed from view.

IMPORTANT: Failure to follow the instructions regarding installation and ventilation may invalidate the warranty supplied with your appliance.

To install the handle

IMPORTANT: DO NOT REMOVE THE SCREWS FROM THEIR POSITION IN THE DOOR (Fig. 4) PRIOR TO FITTING THE HANDLE AS FIXINGS MAY DROP INTO THE DOOR. The door seal holds the screws in place during transit. Do not overtighten the screws, and do not use power tools to install the handle.



Screw hole + screw

1. Peel back the door seal from the glass side to expose the screw holes, as per Fig. 4. Place a screwdriver against the screw and hold it in position.
2. Carefully locate the handle over the fixing screw.
3. Using a screwdriver, tighten the securing screw to fix the handle. Repeat with the remaining handle fixing screw.

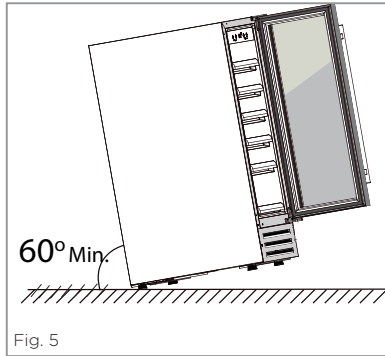
IMPORTANT: Take care, when installing the handle, not to damage the door. Any damage caused may not be covered by the warranty supplied with your appliance.

Reversing the door

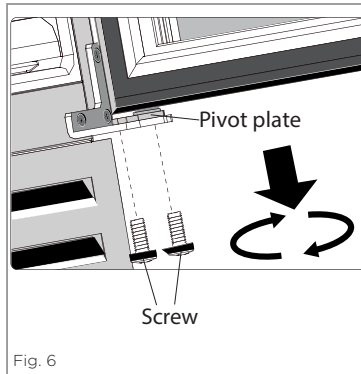
The following instructions are based on a wine cooler with the door hinged on the right hand side. We strongly recommend seeking the help of at least one other individual during this process.

Before starting the reversal process, ensure that you have the left hand upper and lower hinges. These are supplied with your product.

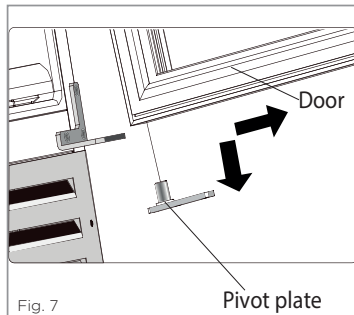
Do not tilt the appliance backwards further than an angle of 60° (Fig.5).



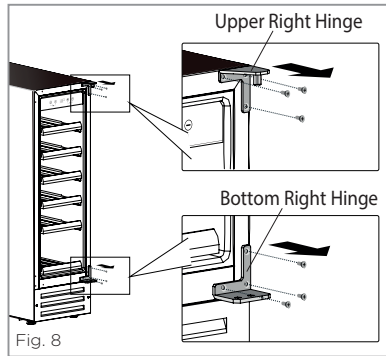
1. With the help of another, open the door and support it. Loosen and remove the two screws from the pivot plate of the lower right hinge, as per Fig. 6.



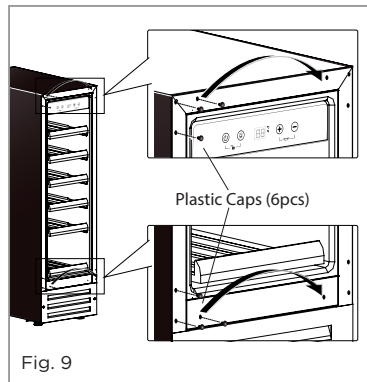
2. Move the door away from the wine cooler slightly and remove the pivot plate from the bottom of the door as per Fig. 7. Lower the door from the upper hinge and place it somewhere safe where it will neither cause nor receive damage.



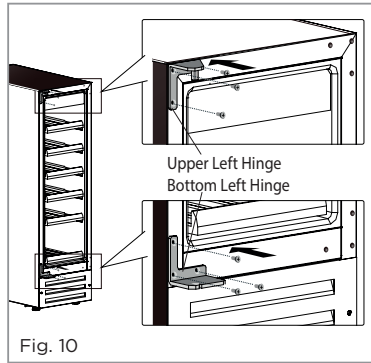
3. Remove the three screws from both the upper hinge and the lower hinge, taking care not to let them fall, as per Fig. 8. Remove the hinges and place them somewhere safe in case they are needed in the future.



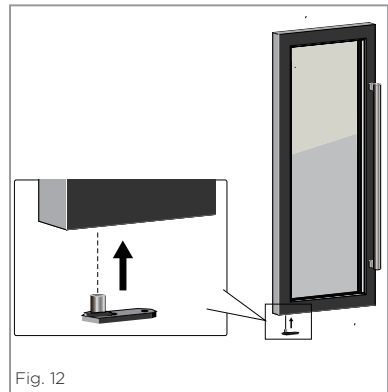
4. Remove the plastic caps from the left hand hinge positions and fit them into the now empty right hand hinge holes, as per Fig. 9.



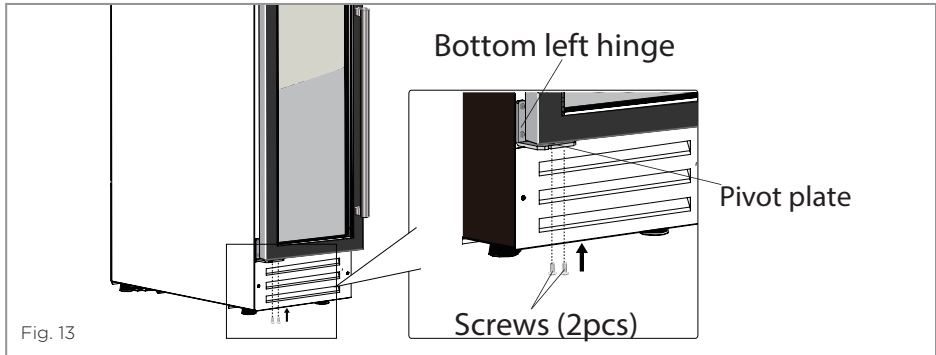
5. Fit the supplied upper left hinge and lower left hinge to the appliance as per Fig. 10. These are mirror opposites of their right-handed counterparts.



6. Turn the door around by 180° (upside down) so that the handle is now on the right (Fig. 11). Insert the pivot plate into the now-bottom of the door as per Fig. 12.



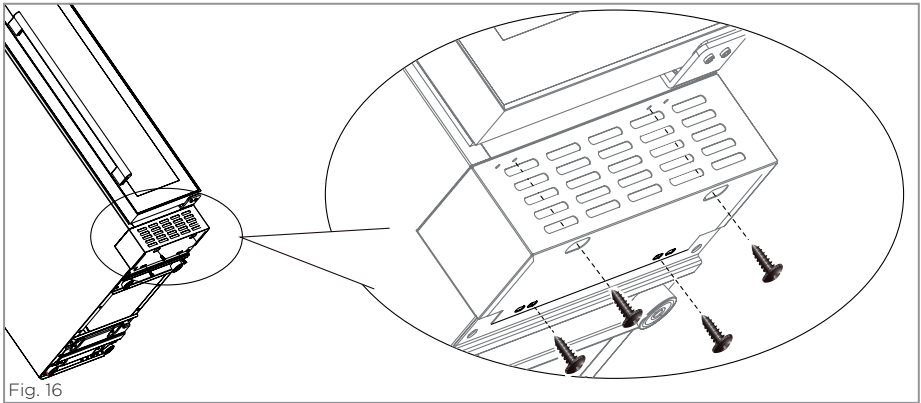
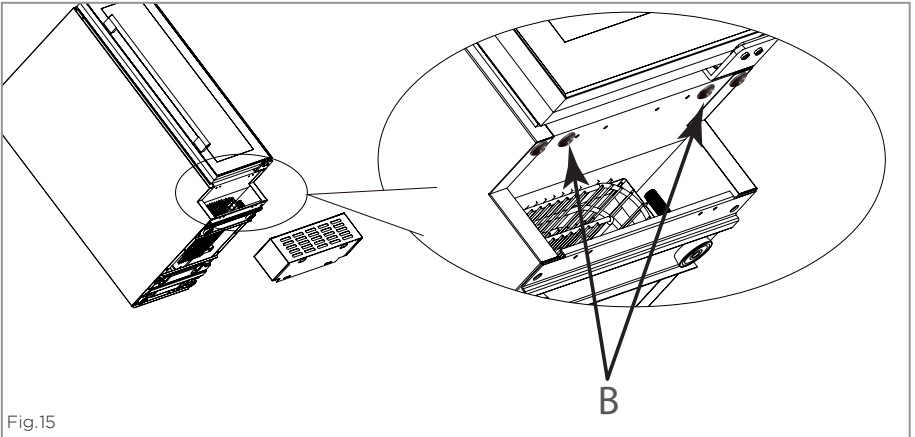
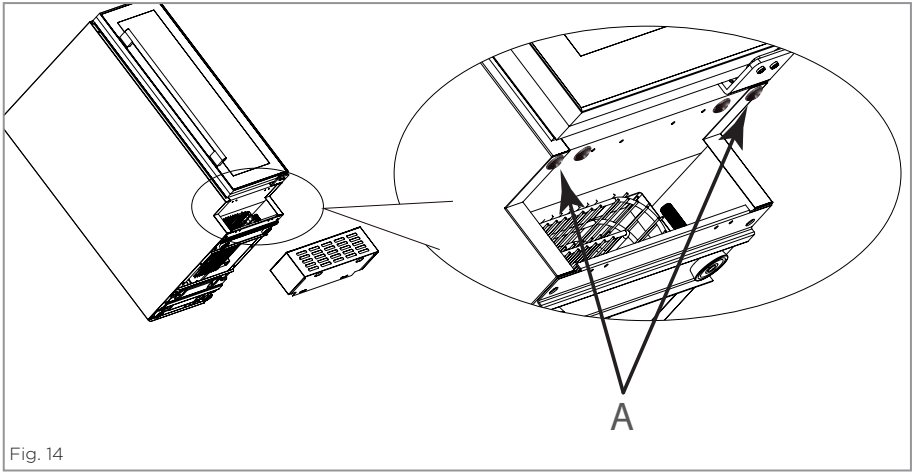
7. Guide the door onto the upper hinge pivot and manoeuvre the lower part of the door and pivot plate onto the lower hinge. Align the pivot plate holes with the hinge plate holes.
8. Reinsert the two screws that you removed in step 1 and tighten them. Check that the door sits level with the appliance. If not, the pivot plate offers some adjustment - loosen the screws you have just tightened and adjust the door as necessary.



Fitting the plinth

The plinth/grille for this appliance comes packaged inside and can be fitted if desired. Follow these steps to do so:

1. Locate the plinth (packaged inside the appliance)
2. Remove the four screws from (two on each side of) the plinth section, but take care to support both sections to prevent the adjustable section from falling away. Remove the adjustable front section and place this somewhere safe.
3. With the help of another individual, make sure the wine cooler is secure and tilt it backwards to gain full access to the area below the door. Make sure that the door is kept closed at all times during this process in order to avoid damage to the door and appliance.
4. If present, remove the two screws shown by arrows and marked as 'A' in Fig. 14. Then, locate the four black fitting screws. These are packaged inside the appliance with the door reversing hinge.
5. If present, remove the screws shown by arrows and marked as 'B' in Fig. 15. These are not needed.
6. Offer up the plinth, ensuring it is the same way up as per Fig. 16. Then, using a (magnetic tipped) screwdriver, insert two of the black fitting screws through the oval access holes (shown in Fig. 16) and tighten them.
7. Install a (black fitting) screw into each of the two lower holes (shown in Fig. 16). This will help to secure the plinth to the underside of the wine cooler.



- Adjust the wine cooler feet so that you achieve the desired height for the cooler. If needed, re-attach the extendable plinth section with the four screws that were removed in step 2. Stand the wine cooler up steadily - if the extendable section will foul the floor or similar, remove it. Allow the wine cooler to stand for 24 hours before plugging it in. This will help to prevent damage to the system.

Adjusting the plinth

The plinth/grille for this appliance comes with an adjustable section. The process for adjusting the plinth trim is simple and is achieved by following the steps below. Perform these steps once the appliance is standing on all four feet and do not put weight on the plinth.

- Loosen the two screws on each side of the plinth trim (four altogether - Fig. 17).
- Carefully guide the front trim down until the desired height is achieved. Tighten the screws.

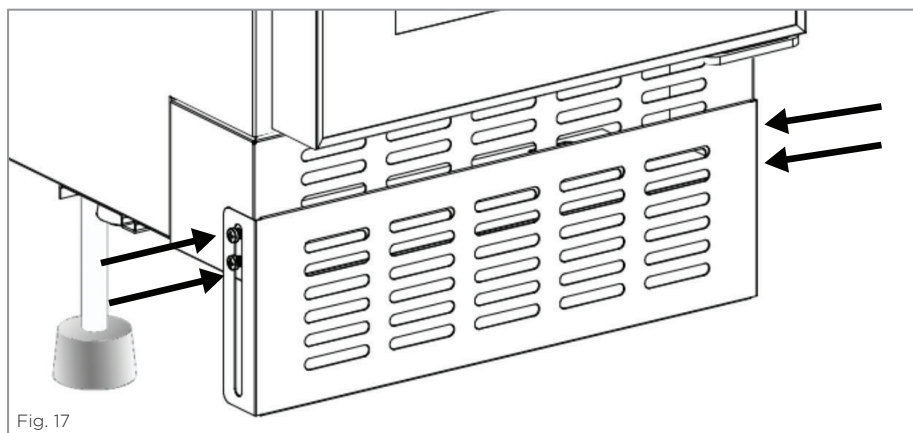


Fig. 17

Gorenje, d.o.o.
Partizanska 12
SI - 3320 Velenje, Slovenija
info@gorenje.com
www.gorenje.com

我們感謝您購買我們的產品。為了便於使用，我們提供了詳細的使用說明。這些說明能使您能夠盡快了解您的新設備。

我們希望您能從中得到很多樂趣。

此電器僅供家庭使用。

請訪問我們的網站，在那裡您可以輸入您的設備型號，設備型號會顯示在銘牌或保修單上，以查找您的設備的詳細說明，使用提示，故障排除，服務信息，使用說明等。



<http://www.gorenje.com>



重要安全警示



一般警告和提示



保護環境



請勿在洗碗機裡清洗

內容

33 重要提示及注意事項 33 在第一次使用設備之前 34 重要的安全指引 36 使用器具的重要信息 37 環境保護 38 製冷設備節能建議	介紹
39 安裝與連接 41 設備說明 42 操作設備 46 電氣內部設備	產品描述
47 清潔用具	清潔用具
48 故障排除 49 安裝酒櫃	雜項

重要提示及注意事項

在第一次使用設備之前

在將設備連接到電源之前，請仔細閱讀描述設備及其正確和安全使用的使用說明。本說明適用於幾種設備類型/型號；因此，此處可能描述的設置或設備在您的設備中不可用。我們建議保存本使用手冊以備將來參考，如果將來出售，請將其附在設備上。

檢查您的設備是否有任何損壞或異常。如果您發現您的設備損壞，請通知您購買設備的零售商。

在將設備連接到電源之前，讓設備在垂直位置放置至少24小時。這將減少由於運輸對冷卻系統的影響而導致操作故障的可能性。



重要的安全指引



警告！火災/易燃材料風險。

設備必須連接到電源並按照有效的標準和規定接地。

警告！請勿在設備後部放置多位元可攜式插座或可攜式電源。
清潔設備前，請將其從電源線上拔下（從牆上的電源插座上拔下電源線）。

警告！如果電源線損壞，必須由製造商、其服務代理或類似的合格人員更換，以避免危險。

警告！放置設備時，請確保電源線沒有被夾住或損壞。

如果LED燈不亮，請致電維修技師。不要試圖自己修理LED燈，因為有接觸高壓的危險！



警告！請勿在設備內部使用任何電氣設備，除非該製冷設備的製造商允許。



警告！除製造商推薦的設備外，不要使用機械設備或其他方式加速除霜過程。



警告！為避免設備穩定性差造成的任何危險，請確保按照說明安裝。

在任何情況下，均不得拆除任何外部蓋進行維修或維護，除非由適當的合格人員進行。

警告：不要損壞製冷劑回路。

兒童和弱勢群體的安全

除非由負責其安全的人監督或指導身體、感官或精神能力下降或缺乏經驗和知識的人（包括兒童）使用本器具，否則本器具不供其使用。

應監督兒童，確保他們不玩電器。

未經監督，兒童不得進行清潔和使用維護。

未經監督，兒童不得進行清潔和使用維護。

在運輸過程中，移除用於保護設備或特定部件的包裝，並將其放在兒童夠不著的地方。

有受傷或窒息的危險。

如果對8歲及以上兒童和身體、感官或精神能力下降或缺乏經驗和知識的人進行了安全使用設備的監督或指導，並瞭解所涉及的危險，則他們可以使用本設備。

兒童不得玩該器具。

未經監督，兒童不得進行清潔和使用維護。

有關製冷劑的警告

該設備含有少量環保但易燃的R600A氣體。請確保冷卻系統的任何部件都沒有損壞。氣體洩漏對環境無害，但可能導致眼睛受傷或導致起火。

如果發生氣體洩漏，請徹底通風，斷開設備與電源的連接，並致電維修技師。

在處理電器之前，請使產品遠離火或類似的發光物質。全球變暖潛能值：R600A=3

使用器具的重要資訊

警告！本設備擬用於家用和類似用途，例如：

- 商店、辦公室和其他工作環境中的員工廚房區域；
- 酒店、汽車旅館和其他居住環境中的農舍和客戶；
- 床和早餐型環境；
- 餐飲和類似的非零售應用。

i 本設備僅供家用，僅用於儲存密封瓶裝葡萄酒和飲料。

i 警告！保持設備外殼或內置結構中的通風孔沒有障礙物。

設備不得在室外使用，也不得在雨中使用。

請勿將爆炸性物質（如裝有易燃推進劑的氣霧罐）儲存在本設備中。

如果設備將長時間停用，請使用相關按鈕將其關閉，並將其從電源上拔下。把電器倒空，解凍，清洗，然後把門半開著。

設備技術資訊

銘牌可在電器背面找到。它顯示有關電壓、總容積和淨容積、製冷劑類型和數量以及氣候等級資訊的資料。



環境保護

包裝材料為環保材料，可回收、處理或銷毀，不會對環境造成任何危害。



報廢過時的設備

為了保護環境，請將廢棄的家電送到授權的家電收集中心。執行此操作之前，請執行以下操作：

- 斷開設備與電源的連接；
- 不要讓孩子們玩這個設備。



警告！ 不要損壞製冷劑回路。這也可以防止污染。



產品或其包裝上的符號表明，產品不應作為正常的生活垃圾處理。產品應送至授權的廢電器和電子設備處理收集中心。正確處理產品有助於防止不正確的產品移除可能對環境和人的健康產生的任何負面影響。如需瞭解有關產品移除和處理的詳細資訊，請聯繫負責廢物管理的相關市政機構、您的廢物處理服務機構或您購買產品的商店。



製冷設備節能建議


- 按照說明書的規定安裝設備。
- 偶爾檢查確保設備下方的空氣流通暢通無阻。
- 如果墊圈損壞或因任何原因無法提供完美的密封，請儘快更換。
- 在有風扇的電器中，不要阻塞風扇槽或通風口。
- 只能將葡萄酒儲存在密封容器中。
- 不要使機櫃過載。
- 僅在必要時打開門。長時間打開門會導致設備隔間的溫度顯著升高。
- 不要用鋁箔或其他任何能阻止空氣在機櫃周圍迴圈的東西覆蓋貨架。
- 為防止損壞門密封，在拆卸架子之前，確保門完全打開。
- 滿載時，不要將貨架拉到防停位置以外（大約三分之一伸出）。
- 本設備僅用於儲存葡萄酒。
- 如果停電，儘可能保持車門關閉，以保持內部工作溫度。如果電源故障持續很長一段，您應該採取措施保護酒櫃的內容物不受溫度上升的影響。酒櫃將記住所選的溫度設置，並在電源恢復後恢復這些設置。

安裝與連接

選擇房間

- 將設備安裝在乾燥通風的房間內。如果環境溫度在表中指定的時間間隔內，設備將正常工作。設備類別顯示在銘牌/標籤上，上面有設備的基本信息。

氣候類型	環境溫度	相對濕度
SN (亞溫帶)	+10 °C - +32 °C	≤75%
N (溫帶)	+16 °C - +32 °C	
ST (亞熱帶)	+16 °C - +38 °C	
T (熱帶)	+16 °C - +43 °C	

-  請勿將設備放置在溫度可能降至5°C以下的房間內，否則可能導致設備異常運行或故障！
- 安裝後，應能接觸到設備電源插頭！
- 不要將本器具放置在炊具、爐子、散熱器、熱水器等散熱器具或裝置附近，也不要將其暴露在陽光直射下。電器應與電飯鍋或燃氣灶至少保持3釐米的距離，或與油爐或固體燃料爐至少保持30釐米的距離。如果這種熱源和器具之間的距離較小，則使用絕緣板。

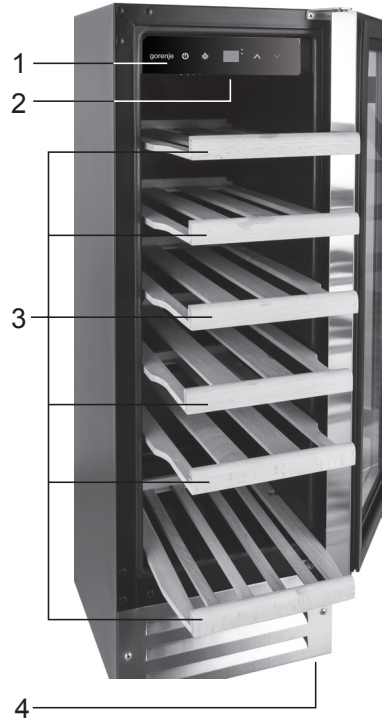
注意：把電器放在足夠大的房間裡。每8克製冷劑至少應有1立方米的空間。製冷劑的量顯示在設備內部的銘牌上。

- 電器後面應至少有200平方釐米的開口或通風孔，電器與其上方任何機櫃之間間隙至少應為5釐米，以便冷卻冷凝器裝置。

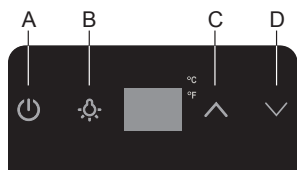
設備說明

電器內部設備可根據電器型號進行更換。

- 1 控制單元
- 2 LED照明
- 3 拉出式層架 (最大容量：見第46頁)
- 4 可調高度箱腳

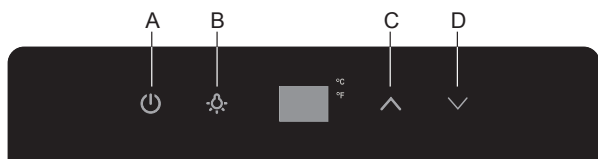


操作設備



WCIU2090A1

- A 電源開關
- B 燈開關
- C 升溫開關
- D 降溫開關



WCIU3090A1

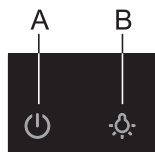
- A 電源開關
- B 燈開關
- C 升溫開關
- D 降溫開關



WCIU609BA2

- A 電源開關
- B 燈開關
- E 攝氏華氏切換開關
- C 升溫開關
- D 降溫開關
- F 溫區選擇

鎖定/解鎖控制面板-所有型號



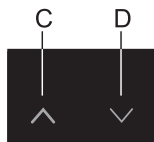
- 按住電源按鈕A和燈按鈕B約4秒鐘。
- 大約15秒不活動後，控制面板自動鎖定。

打開/關閉電源-所有型號



- 按住電源按鈕A約4秒鐘，打開酒櫃。
- 按住電源按鈕A約4秒鐘，關閉酒櫃。

改變溫度-所有型號



- 如有必要，根據第14頁打開控制面板。
- 按下C或D按鈕，知道顯示屏上顯示所需溫度。
- 當溫度調節激活或設置不同溫度時，顯示屏閃爍。

- 設備將持續工作，直到達到正確的溫度。壓縮機和製冷系統的持續噪聲正常。
- 如果設備已關閉，應在再次打開前留出5分鐘，以防止對壓縮機造成不必要的損壞。
- 當設備首先達到正確溫度時，LED顯示屏可能不會顯示所選溫度。這是正常的，設備運行幾個小時後，將自動更正顯示。

更改區域控制 - WCIU609BA2

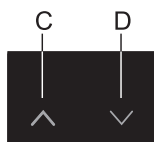


- 如有必要，根據第14頁打開控制面板。
- 按下按鈕F。“激活”顯示將閃爍。
- 上部區域的溫度範圍為5°C至12°C（左顯示），下部區域的溫度範圍為12°C至22°C（右顯示）。

注意！

上下艙室的調節溫度相互連接。某些組合設置不可用。

改變溫度讀數 - WCIU2090A1, WCIU3090A1



您可以將溫度顯示讀數從華氏度更改為攝氏度，或從攝氏度更改為華氏度。

- 控制面板必須鎖定（見第14頁）。
- 按住C或D按鈕約4秒鐘。

改變溫度讀數 - WCIU609BA2



您可以將溫度顯示讀數從華氏度更改為攝氏度，或從攝氏度更改為華氏度。

- 如有必要，根據第14頁打開控制面板。
- 按E按鈕。

最佳溫度選擇

下表列出了不同類型葡萄酒的建議儲存溫度。對於大多數類型的人來說，這也是理想的飲用溫度。

酒的種類	建議溫度
紅葡萄酒	15 - 18°C (59°F-64°F)
乾白葡萄酒	9 - 14°C (48°F-57°F)
桃紅葡萄酒	10 - 11°C (50°F-52°F)
起泡酒	5 - 8°C (41°F-46°F)

使用內部光纖



- 如有必要，根據第14頁打開控制面板。
- 按下燈按鈕B可打開或關閉燈。

溫度顯示

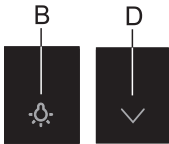
這個設備有兩個溫度顯示選項。一個選項顯示酒櫃中的設定或目標溫度。另一個選線顯示酒櫃內的真實溫度，可用於主動監測酒櫃的活動情況。有關這些顯示選項的說明和進一步信息如下所示。

顯示設定溫度

- 溫度顯示將顯示設定溫度（酒櫃正在工作以達到的溫度）。
- 溫度旁邊的小數點 “.” 表示酒櫃正在工作以達到設定溫度。當小數點消失或不存在時，酒櫃的傳感器檢測到已達到設定溫度。當冷卻系統啟動以保持溫度時，小數點可能會定期重新出現。
- 當溫度調節激活或設置不同溫度時，顯示屏閃爍。

顯示實際溫度

- 溫度顯示器將顯示酒櫃內的真實或實際溫度。
- 溫度旁邊的小數點 “.” 表示酒櫃正在工作以達到設定溫度。當小數點消失或不存在時，酒櫃的傳感器檢測到已達到設定溫度。當冷卻系統啟動以保持溫度時，小數點可能會定期重新出現。
- 當溫度調節激活或設置不同溫度時，顯示屏閃爍。



更改溫度顯示

- 控制面板必須鎖定（見第14頁）。
 - 按住燈按鈕B和D約2秒鐘。
 - 顯示器將顯示 “02” 或 “01”，具體取決於激活的顯示設備。
-
- 使用按鈕D在 “02” 和 “01” 之間交換。02'為設定溫度顯示模式，01'為實際溫度顯示模式。一旦您所需的模式顯示在顯示屏上，無需觸摸大約5秒鐘。設備應發出嗶嗶聲並切換到新的顯示模式。

靜音模式

這個設備有靜音模式。當處於活動狀態時，一旦達到設定溫度，設備將減慢內部風扇的速度，以降低運行噪音。

關閉靜音模式



必須鎖定控制面板（見第14頁）。按住燈按鈕B約3秒鐘。根據您是否將顯示設置為華氏度或攝氏度，°C或°F符號將長亮，以指示該模式處於非活動狀態。

啟動靜音模式



必須鎖定控制面板（見第14頁）。按住燈按鈕B約10秒鐘。取決於您是否將顯示設置為華氏度或攝氏度，°C或°F符號將開始閃爍，以指示模式處於活動狀態。

溫度報警器

如果溫度上升或下降超出設定溫度範圍，將發出警報，顯示屏可能顯示故障。這可能是因為：

- 葡萄酒冷卻器尚未達到設定溫度（首次打開時），或需要很長時間才能達到。
- 停電。
- 酒櫃超載或損壞。
- 門未正确关闭。
- 溫度傳感器出現故障（見第22頁）。

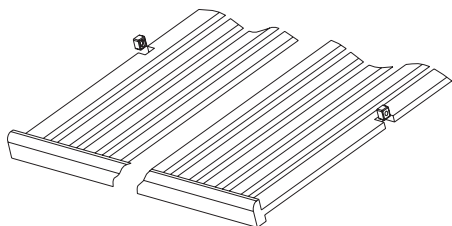
請注意：如果酒柜过热，并因此发出警报，系统将在警报跳闸6小时后自动关闭。但警告将继续。

電器內部設備



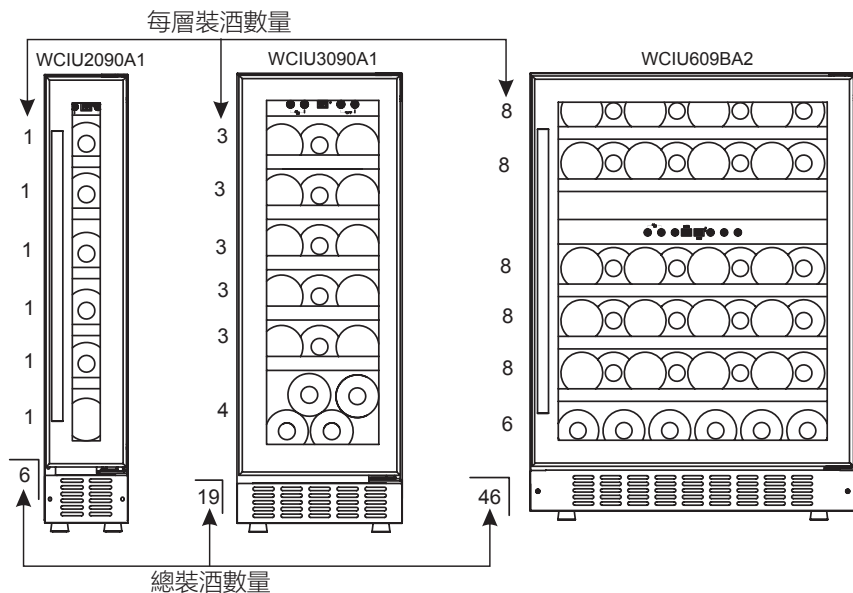
層架

(只適用於型號 WCIU3090A1, WCIU609BA2)



- 要移除架子，首先移除架子上的所有瓶子，然後向前拉動架子，直到架子兩邊的凹槽與櫥櫃兩邊的塑料釘齊平（如圖所示）。然後抬起架子並向前拉。
- 要更換攔板，請按相反順序執行上述步驟。

裝酒示意圖



清潔用具



清潔前，從電源上拔下設備-關閉設備（請參閱“打開/關閉設備”一章）並從牆上的插座上拔下電源線。

- 用軟布清潔所有表面。含有研磨性物質、酸或溶劑的清潔劑不適合清潔，因為它們可能會損壞表面。

用水或溫和的肥皂水清洗設備外部。

用海綿和小蘇打溶液擦拭內表面。溶液應該是大約2湯匙的小蘇打和1夸脫（約1升）的溫水。用溫和的洗滌劑溶液清洗架子。在放回酒櫃之前，讓木架子晾乾。不要在不鏽鋼上使用鋼絲絨或鋼刷。這些會用鋼顆粒划傷不鏽鋼，並可能發生生鏽。



電器內部可以用溫水清洗，可以加些醋。



不要在洗碗機中清洗電器內部設備的零件，因為它們可能會損壞。

故障排除

問題:	原因或處理措施
如果設備不工作，請檢查	<ul style="list-style-type: none"> • 設備是否有電源 • 房屋保險絲或斷路器完好無損，插頭中的保險絲未熔斷。 • 插頭插座工作正常。若要檢查此情況，請插入另一個電器以查看插座是否正常工作。 • 環境溫度在16°C到38°C之間。
這個裝置在工作，但不太好，檢查一下	<ul style="list-style-type: none"> • 設備未過載。 • 恆溫器設置到適當的溫度。 • 門關好了。 • 門墊圈密封良好 • 側壁和後壁有足夠的通風。 • 環境溫度在16°C到38°C之間。
電器有噪音，檢查一下	<ul style="list-style-type: none"> • 設備水平穩定。 • 即使壓縮機不運行，冷卻氣體也會發出一些噪音。 • 在運行過程中，風扇運轉正常，即使壓縮機不運轉。
架子上的冷凝水（露水）	<ul style="list-style-type: none"> • 這是一種在高溫高濕環境中無法完全避免的瞬態現象。當溫度和濕度正常化時，它就會消退。
設備經常打開和關閉冷卻	<ul style="list-style-type: none"> • 內部溫度波動，導致系統啟動冷卻。
燈不亮，檢查一下	<ul style="list-style-type: none"> • 設備有電源。 • 房屋保險絲或斷路器完好無損，插頭中的保險絲未熔斷。 <p>燈按鈕未設置為關閉（根據第14頁先解鎖面板）。請注意：如果沒有服務電話，則無法更換LED燈。如果指示燈出現故障，請聯繫Gorenje客戶服務中心。</p>
門關不好，檢查一下	<ul style="list-style-type: none"> • 設備水平穩定。 • 如果已拆下車門，則可能未正確重新安裝。 • 門封條是否髒。 • 架子擺放正確。
顯示屏顯示“LL”或“HH”	<ul style="list-style-type: none"> • 溫度傳感器出現故障。請聯繫Gorenje客戶服務部。

如果上述提示不能解決您的問題，請致電最近的授權服務中心，並說明設備內部設備銘牌或標籤上顯示的類型、型號和序列號。

安裝酒櫃

該設備應安裝在兩個物體之間的空間中。如果要在開放空間中獨立放置，請確保其不會造成傷害或損壞。

所需的最小空間是：

WCIU2090A1 – 150mm 寬度 x 570mm 深度 x 830 / 890mm 高度

WCIU3090A1 – 300mm 寬度 x 570mm 深度 x 830 / 890mm 高度

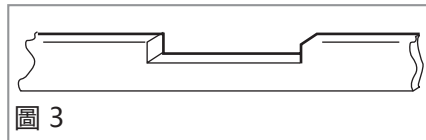
WCIU609BA2 – 600mm 寬度 x 570mm 深度 x 830 / 890mm 高度

請注意：安裝產品時，設備頂部和工作台底部之間應有一個小的通風間隙（6 毫米或 ¼"）。

這些產品不應安裝：

1. 在陽光直射下。
2. 與熱源（烤箱或散熱器）相鄰。
3. 爐架下方。
4. 在潮濕的環境中

在使用連續底座的情況下，必須切開一部分，以確保按照圖 3 不會阻塞產品正面的通風槽。



該產品設計為可安裝在高度為 830 – 890mm 之間的工作台下面，並使用可調節的百頁擋板來確保腳部看不見。

重要信息：不遵循有關安裝和通風的說明，可能會使產品隨附的保修無效。

安裝把手

重要提示：安裝把手之前，請勿從其原來的位置上卸下螺釘，門把手墊片（圖 4）可能會掉進去門中。在運輸過程中，門封將螺絲固定在適當的位置。請勿過度擰緊螺釘，也不要使用電動工具安裝把手。



螺絲孔+螺絲

1. 如圖 4 所示，從玻璃側拉下門密封條，露出螺絲孔。將螺絲刀放在螺絲上，並將其固定到位。
2. 小心地將手柄放在固定螺釘上。
3. 用螺絲刀擰緊固定螺釘以固定把手。重複使用剩餘的手柄固定螺絲。

重要說明：安裝把手時，請注意不要損壞門。設備所提供的保修可能不涵蓋所造成的損壞。

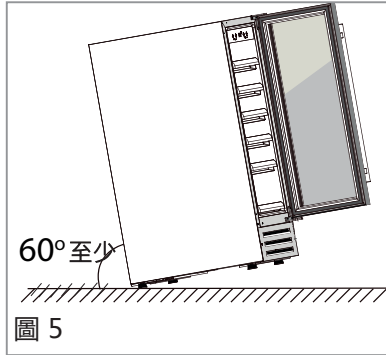
左右換門時

以下說明基於帶門鉸的酒櫃右邊。

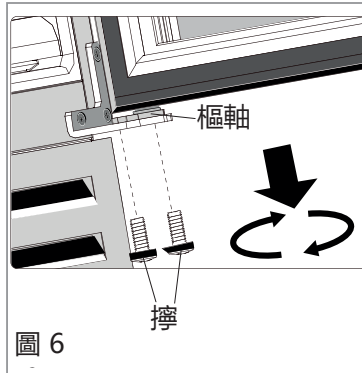
我們強烈建議在此過程中尋求至少另一個人的幫助。

在開始換門之前，請確保您具有左測的上下門鉸。這些是隨您的產品一起提供。

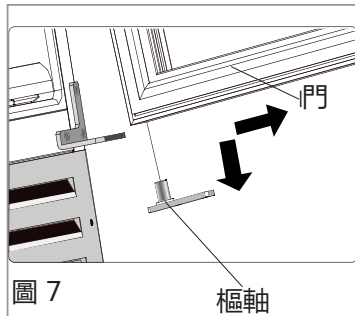
請勿將設備向後傾斜超過 60°的角度 (圖 5)。



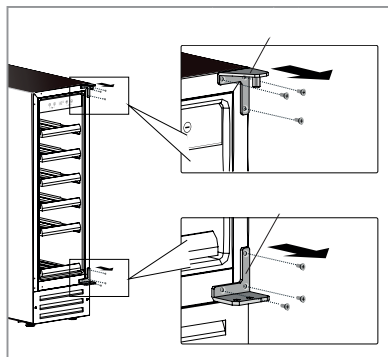
1. 在另一個人的幫助下，打開門並提供支撐。如圖 6 所示，從右下門鉸的樞軸板上松開並卸下兩顆螺釘。



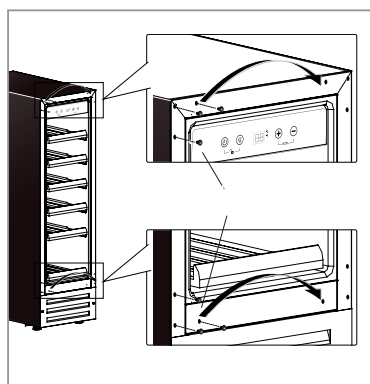
2. 如圖 7 所示，將門從價格稍微移開，然後從門的底部卸下樞軸板。從上門鉸放下門體，並將其放在安全的地方，既不會造成損壞，也不會被損壞。



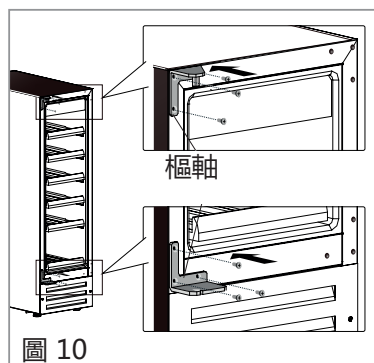
3. 如圖 8 所示，從上門鉸和下門鉸上卸下三顆螺釘，注意不要讓它們掉落。卸下門鉸，並將它們放在安全的地方，以防將來需要它們。



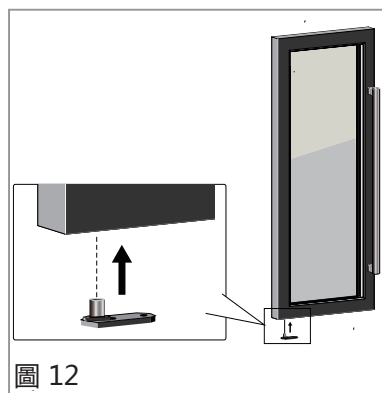
4. 如圖 9 所示，從左測門鉸位置取下塑料蓋，然後將它們安裝到現在空的右測門鉸孔中。



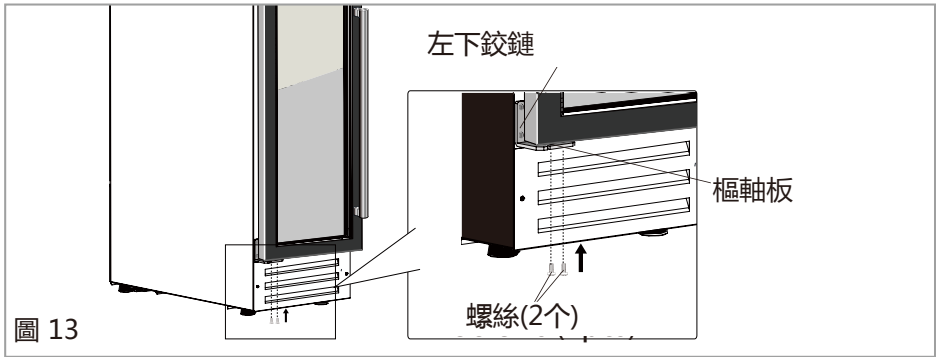
5. 按照圖 10 將隨附的左上門鉸和左下門鉸安裝到產品上。這是它們右手對應的反面。



6. 將門旋轉 180° (上下顛倒) , 以使把手現在位于右側 (圖 11) 。如圖 12 所示 , 將樞軸板插入門的底部。



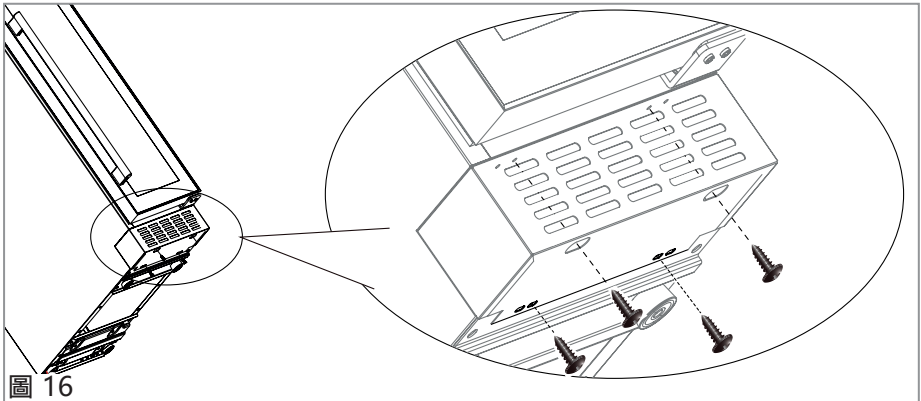
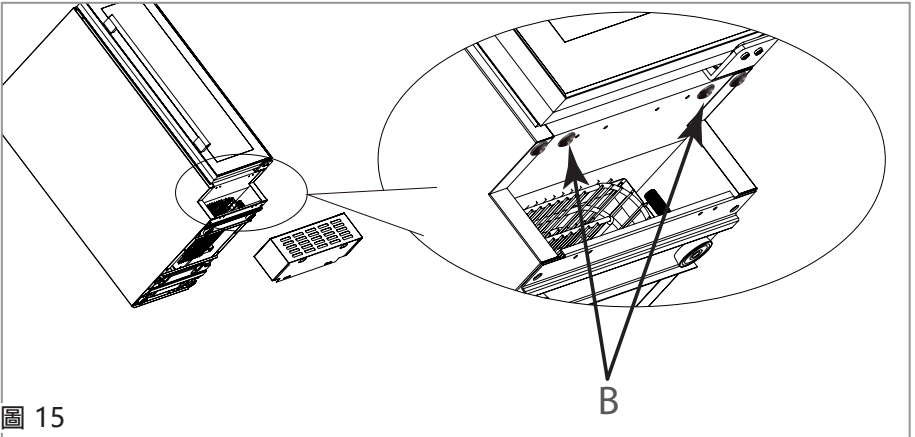
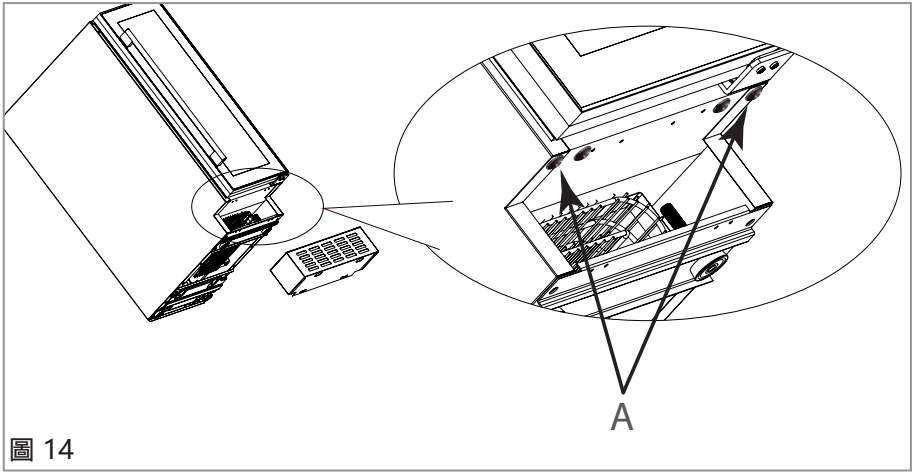
- 將門引導到上門鉸樞軸上，並將門的下部和樞軸板操縱到下門鉸上。將樞軸孔對准門鉸孔。
- 重新插入在步驟 1 中卸下的兩顆螺釘，然後擰緊它們。檢查門是否與設備齊平。如果沒有，則樞軸板會進行一些調整-鬆開剛擰緊的螺釘，並根據需要調整門。



安裝底座

本產品的可拆百頁/格柵包裝在內部，可以在以下情況下安裝想要的。請按照以下步驟操作：

- 找到可拆百頁（包裝在設備內部）
- 卸下底座部分（每測兩個）上的四顆螺釘，但請小心支撐兩個部分，以防止可調節部分掉落。拆下可調節的前部並將其放在安全的地方。
- 在另一個人的幫助下，確保酒櫃牢固並向后傾斜以完全進入門下方區域。確保在此過程中始終保持門關閉，以免損壞門和設備。
- 如果存在，請卸下箭頭所示並在圖 14 中標記為“A”的兩個螺釘。然後，找到四顆黑色的固定螺釘。這些及闌翻轉門鉸包裝在產品內部。
- 如果存在，請卸下箭頭所示並在圖 15 中標記為“B”的螺釘。
- 固定好可拆百頁，確保其與圖 16 相同。然後，使用（磁性尖頭）螺絲刀，將兩個黑色的固定螺絲穿過橢圓形的接入孔（如圖 16 所示），並擰緊它們。
- 在兩個下部孔中的每一個中安裝一個（黑色接頭）螺釘（如圖 16 所示）。這將有助於將可拆百頁固定在酒櫃的底部。



8. 調整酒櫃箱腳，使酒櫃達到您所需的高度。如有必要，用步驟2中拆下的四個螺釘重新連接可調百頁擋板部分。穩穩地將酒櫃豎起-如果可延伸部分會弄髒地板或類似物，請將其拆下。讓酒櫃靜置24小時，然後將其插入櫥櫃。這將有助於防止損壞系統。

調節可調百頁擋板

該產品的百頁/格柵帶有可調節的部分。調整可拆百頁擋板的過程很簡單，可以通過以下步驟實現。當產品全部四腳站立並且不承重於可拆百頁的情況下，請執行以下步驟。

1. 鬆開可拆百頁擋板兩側的兩個螺釘（總共四個-圖 17）。
2. 小心地向下引導前飾板，直到達到所需的高度。擰緊螺絲。

