

Dear Customer,

Thank you for choosing this quality product from ASKO.

We hope it will meet your expectations and fulfill your needs for many years to come. Scandinavian design combines clean lines, everyday functionality and high quality. These are key characteristics of all our products and the reason they are greatly appreciated throughout the world.

To get the most out of your new machine, we recommend that you read the operating instructions before using the machine. The operating instructions also include information on how you can help protect the environment.



Operating Instructions

Washing Machine
PROFESSIONAL WMC622VG

WARNING: Read the instructions before using the machine.

Contents

Before using your machine for the first time	4	Washing	12
Transport protection	4	Sort your laundry.	12
Packing material	4	Turn on the main power switch	12
Washer door	4	Open the washer door and load the washing	12
Language selection	4	Add detergent and fabric softener, as required	12
Checking water hardness	4	Select the programme	13
Safety instructions	5	Close the washer door and press the Start button	17
General	5	During the programme	17
Installation	6	Once the program has finished	17
Overflow guard function	6	Settings	18
Transport/Winter storage	6	You can change the following settings	18
Recycling	6	Language	18
Child safety	7	Temperature	18
Keep an eye on children!	7	Water intake	18
Description of the washing machine	8	Child-safe	18
Dispenser	9	Hot water	18
Advice and tips before washing	10	Care and cleaning	19
Sorting your laundry	10	Cleaning the detergent compartment	19
Clothing	10	Cleaning the outside of the machine	19
Laundry labels	10	Cleaning the inside of the machine to avoid unpleasant smells	19
Hot water connection	10	Rinse holes under the agitator	20
Coloured cotton	10	If you have hard water	20
Unbleached linen	10		
Wool	10		
Rayon fibres and synthetic fibres	10		
Detergents	10		

Contents

Troubleshooting	21
The washer door will not open	21
Opening the door in an emergency	21
The machine will not start	21
After power failure	21
Wet washing still in the machine	21
Error messages	22
Over flow fault	22
Heating fault	22
Technical information	23
Information on energy labelling	23
Energy labelling	24
Technical data	24
Transport protection	25
Installation	26
Positioning the washing machine	26
Adjusting the feet	26
Connection to water supply	26
Drainage connection	27
Electrical installation	27
Service	28
Before contacting the service division	28
Quick guide	32

Before using your machine for the first time

Transport protection

Remove any transport protection devices before installing the machine. See the "Transport protection" chapter.

Packing material

Please sort waste materials in accordance with local guidelines.

Washer door

- The machine cannot be started when the door is open.
- To open the washer door while a programme is running, see "Close the door and press the Start button" in the "Washing" chapter.

Language selection

You will be prompted to select the display language when you have connected your machine and start it for the first time. Do as follows:

1. Turn the programme selector to choose from: US English, English, Svenska, Dansk, Norsk, Suomi, Français, Deutsch, Italiano, Espanol, Русский, Nederlands.
2. Press Start once to save the setting.

Checking water hardness

The quantity of detergent needed depends, amongst other things, on how hard the water is. See the detergent pack for details. Phone your local water company to check the water hardness in your area.

NOTE!

Each machine is tested before leaving the factory. A small amount of water may remain in the drain pump, though this does not affect quality or damage the machine.

See Quick guide on the last page

Safety instructions



General

- Read the operating instructions and keep them in a safe place.
- Installation of water and electricity, if required, should be carried out by a qualified professional.
- The machine should only be used for washing items as described in these instructions. It is not intended for dry cleaning.
- Use only detergent intended for machine washing!
- Use only detergents and softeners for machine wash. Manufacturer may not assume responsibility for any damage and eventual discolouring of gaskets and plastic components as a consequence of incorrect use of bleach and/or colouring agents.
- Never use detergents containing solvents, since there is a danger of creating toxic gasses which may damage the machine and result in ignition or explosion.
- Do not use detergents that contain solvents as this could lead to release of poisonous gases, damage to the machine, and risk of fire and explosion.
- Do not use colourants (dyes) or bleaching substances (substances for discolouration or removal of colourants) as they contain sulphuric compounds that could cause corrosion.
- Excessive use of products containing chlorine compounds increases the risk or premature failure of appliance components. This depends on the concentration of chlorine, exposure time, and temperature.
- Bleaches that contain chlorine can be replaced with oxygen-based bleaches. Otherwise, a neutralization cycle should be performed by running the Cotton program at the highest temperature. For best results, use hydrogen peroxide or oxygen-based detergents.
- Remove any transport protection devices before using the machine. See the "Transport protection" chapter.
- Repairs and maintenance relating to safety or performance must be carried out by a qualified professional.
- Damaged mains cables must only be replaced by a qualified electrician.
- The machine is not designed to be used by persons (even children) that are physically or mentally handicapped or lack experience and knowledge. Such persons must receive instruction in how to use the machine from the person responsible for their safety.
- Children must be watched to ensure they do not play with the machine.
- The emergency door opening tool is attached to the rear of the detergent compartment. Remove the detergent compartment from the machine and remove the emergency door opening tool.

Safety instructions



Installation

See the "Installation" chapter.

Overflow guard function

If the machine's water level rises above the normal level, the overflow guard function begins to pump water out and shuts off the water intake. If the water level has not dropped within 60 seconds, the program is terminated.

Transport/Winter storage

If the machine is to be transported or stored in unheated premises where the temperature can fall below freezing, do as follows:

- Shut off the water to the washing machine, loosen the supply hose to the intake valve and let the water run out from the valve and hose.

Recycling

This machine is manufactured and labelled for recycling. In order to prevent injuries, the machine must be made unusable once the decision has been taken to dispose of it. Contact your local authority for information about where and how your machine can be recycled correctly.

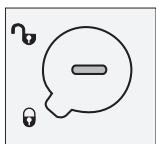
Child safety

Keep an eye on children!

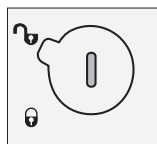
- Always close the washer door and start the programme immediately after you have added detergent.
- Do not allow small children to use or play with the washing machine.
- Store detergent and fabric softener out of the reach of children.

Activate child safety catch (for detergent compartment)

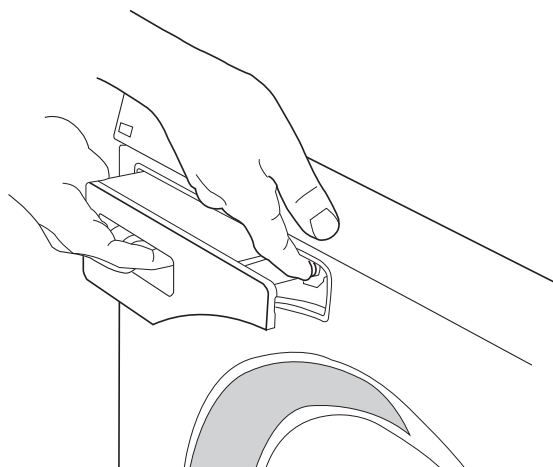
On the inside of the detergent compartment is a child safety catch.



Activated child safety catch



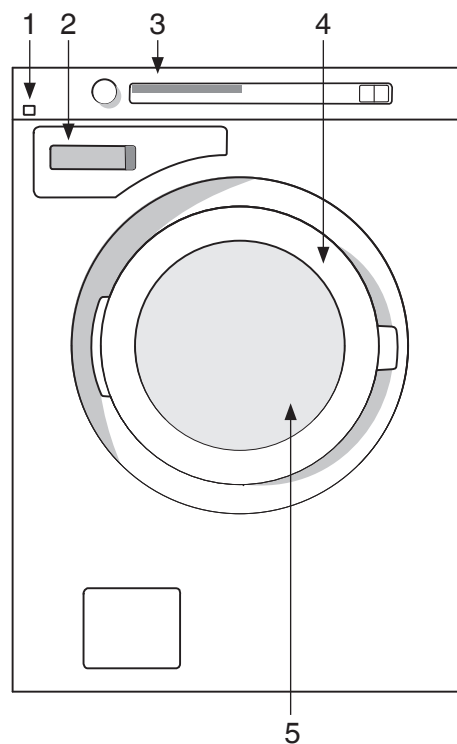
Inactivated child safety catch



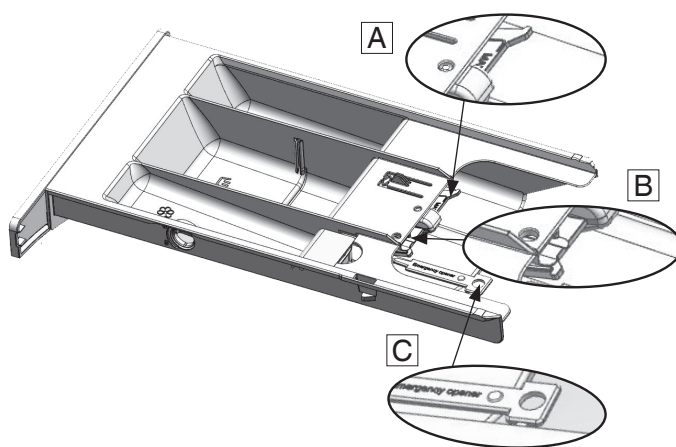
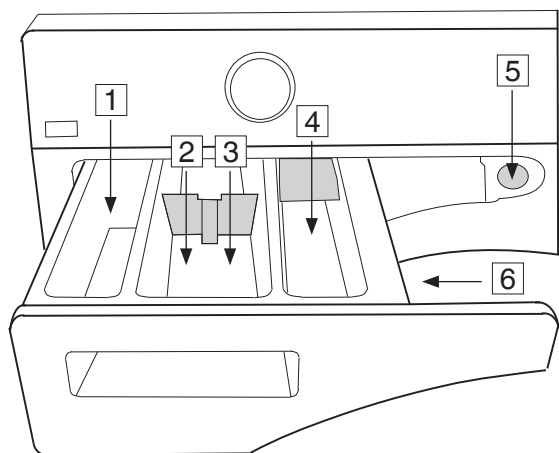
When the child safety catch is activated you must press the release button to pull out the detergent compartment.

Description of the washing machine

1. Main power switch
2. Dispenser
3. Programme panel
4. Serial number plate (on inside of washer door)
5. Washer door



Dispenser



1. Pre-wash



2. Main wash with liquid detergent.
Use the separator (A).



3. Main wash with powder detergent.
Do not use the separator.



4. Fabric softener



5. Release button

6. Child safety catch

Advice and tips before washing

Here are some tips that may help you before washing.

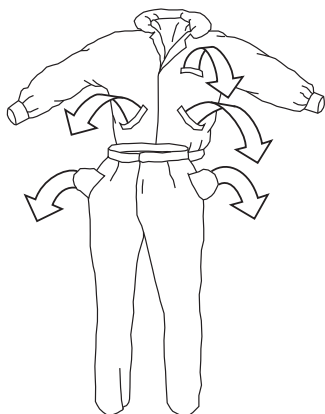
Sorting your laundry

Sort items according to:

- how soiled they are
- colour
- material

Clothing

1. Do up zips and close Velcro straps so that they don't harm fabrics.
2. New coloured items may contain excess dye and should therefore be washed separately the first few times.
3. Turn delicate items inside out. This reduces the risk of burling and fading.
4. Empty pockets and wash them inside out if possible.



Laundry labels

Look at the item's laundry label. The table below shows suitable wash programmes for different materials and wash loads. Using modern washing machines and detergents, for example compact detergents, you can usually wash at lower temperatures. It is a good idea to use trial and error to find out what produces the best results.

Hot water connection

(depending on the model)

Hot water intake has a positive effect on grease stains and certain pigment stains, such as oil,

soot and coffee. Note however that difficult protein stains with albumen content (blood, milk, meat and fish) first need to be soaked in cold water as they are difficult to dissolve at temperatures above 40°C. For the best washing results we recommend the Super wash option and pre-soaking the stained items in cold water before washing them in the machine.

Coloured cotton

Coloured cotton items with the washing instruction 60 °C should be washed at 60 °C for the first time in order to remove any excess dye. If you do not do so, there is a risk that the colour will run. Use detergent without bleach in order to preserve the colour of the fabric.

Unbleached linen

Unbleached linen fabrics should be washed at 60 °C, using detergent containing no bleach or optical whiteners. Heavily-soiled linen can occasionally be washed at higher temperatures, but not too often because the heat can destroy the linen's shine and strength.

Wool

These fabrics are labelled either machine wash or hand wash. The Wool/hand wash, 30 °C programme is at least as gentle as washing by hand.

Rayon fibres and synthetic fibres

Materials made of rayon fibres, such as viscose, and some synthetic fibres are very delicate and require much space so as not to crease. Only half fill the drum when washing and choose a spin speed of 800 rpm or lower.

NOTE!

Viscose and acetates are fragile when wet.

Detergents

Eco-labelled detergents are less harmful to the environment. Detergent overdosing does not give better washing results; it merely causes a

Advice and tips before washing

greater impact on the environment. Try to use less detergent, and increase only if you are not satisfied with the results.

NOTE!

Due to environmental concerns, we discourage the use of strong chemicals.

When using agents for bleaching or stain removal, there is a risk of rust (corrosion) and discolouration of the machine.

Washing

1 Sort your laundry.

See the "Advice and tips before washing" chapter.

Place underwired bras in a laundry net. Empty pockets. Coins, nails and the like can cause damage to the machine and fabrics. See the "Advice and Tips" section before washing.

2 Turn on the main power switch

3 Open the washer door and load the washing

Open the washing machine door. Load the washing. The wash programme chart shows how much washing can be washed with each programme.

4 Add detergent and fabric softener, as required

The detergent packaging will have recommendations for how much detergent you should use. The machine holds 6 kg of washing. If you only have a small amount of laundry in the machine, you can reduce the amount of detergent used.

Follow the manufacturers' recommendations as regards which type of detergent is suitable for which temperature.

Powder detergent

Pour the powder into the compartment for the main wash, and pre-wash as well if desired.

Liquid detergent

When using a liquid detergent, observe the detergent manufacturer's recommendations. We recommend using a laundry ball with thick detergents. In the main detergent compartment, use the section wall (A) – see figure in the section Dispenser. Add the detergent into the front compartment of the detergent dispenser.

Wash ball or net


If you use a wash ball or net, place it directly in the drum and select a programme without pre-wash.

NOTE!

Detergent overdosing does not give better washing results; it merely causes a greater impact on the environment.

Try using less detergent, and increase only if you are not satisfied with the results.

Fabric softener

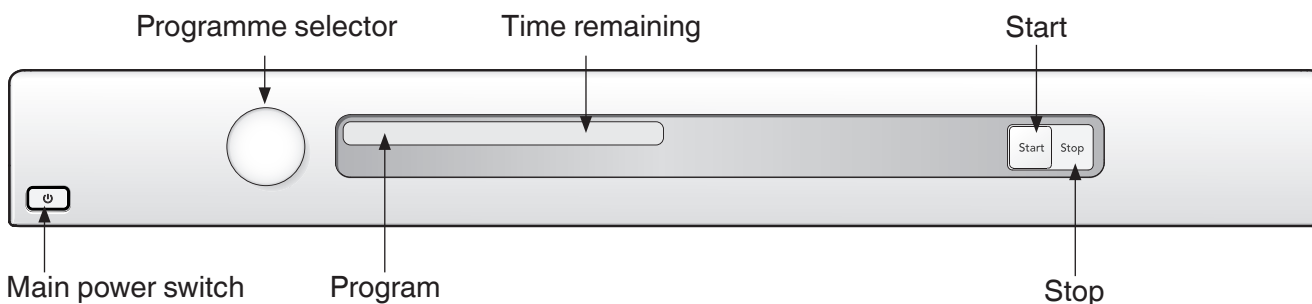
Pour the fabric softener into the compartment with the  symbol. Follow the recommendations on the fabric softener packaging.

NOTE!

Do not fill above the compartment's maximum fill level. Otherwise fabric softener will run in too early, which impairs the washing effect.

Washing

5 Select the programme



The display shows the programme name, the water temperature and the spin speed. The washing machine has a number of preselected programmes when delivered from the factory. The preselected programmes can be replaced. Contact the service division for information on which programmes are available and how to alter the preselected programmes.

Heavy Wash, 90 °C

Program for heavily soiled laundry, with dirt that needs to be fully dissolved before the main wash.

Heavy Wash, 60 °C

Program for heavily soiled laundry, with dirt that needs to be fully dissolved before the main wash.

Standard cotton , 60 °C, 40 °C

Program for normally or heavily soiled laundry, white or coloured. The temperature can be set separately; therefore, observe the instructions indicated on the clothing worn directly on the skin. Choose 40 °C if the laundry is only lightly dirty. Spinning speed can be set to your preference. Default setting is maximum spinning speed. Program duration and amount of water will be adjusted to the amount of laundry.

White, 90 °C

Programme for normally to heavily soiled laundry. Follow the washing instructions for each garment. 90 °C is a good temperature for white and light-coloured cotton, such as bed linen.

White/Colour, 60 °C

Programme for normally soiled laundry, whites and colours. Follow the washing instructions for each garment. 60 °C is a good temperature for garments worn next to the skin.

White/Colour, 40 °C

Programme for normally soiled laundry, whites and colours. Follow the washing instructions for each garment.

Super quick wash, 60 °C

Fast programme for laundry that just needs freshening up. Follow the washing instructions for each garment. Garments worn next to the skin ought to be washed at 60 °C.

Super quick wash, 40 °C

Fast programme for laundry that just needs freshening up. Follow the washing instructions for each garment.

Synthetics, 40 °C

Programme for synthetics, delicate blended materials and permanent press cotton. Suitable for shirts and blouses. Follow the washing instructions for each garment. Many synthetics will come clean at 40 °C.

Wool/hand wash, 30 °C

A gentle laundry programme for wool, silk and garments that should be washed by hand. This programme has a short spin.

Rinse

This programme performs one cold rinse cycle + spin. Suitable for laundry that just needs to be dampened.

MOP wash, 90 °C

Programme suitable for different types of mop. The programme has two rinses using much water.

MOP wash, 60 °C

Programme suitable for different types of mop. The programme has two rinses using much water.

Micro fibre, 60 °C

Program for laundry made of microfibers, such as microfiber cloths. The program has three rinses, and uses a large amount of water in the first rinse.

Disinfection, 90 °C

Programme where the temperature reached during the main wash is maintained above 90 °C for 10 minutes.

Disinfection at this temperature requires special detergent.

Disinfection, 60 °C

Programme where the temperature reached during the main wash is maintained above 60 °C for 60 minutes.

Disinfection at this temperature requires special detergent.

Disinfection, 40 °C

Programme where the temperature reached during the main wash is maintained above 40 °C for 20 minutes.

Disinfection at this temperature requires special detergent.

*Programs Disinfection (90 °C, 60 °C, 40 °C) cannot be canceled during washing program. Complete cycle will be done.

Allergy cotton, 60 °C

This program is used to wash normal to heavily soiled clothes that require special care, such as clothes for people with highly sensitive skin or skin allergies. We recommend turning the garments inside out as this will also thoroughly wash out the skin and other residues.

Washing

Programme chart

Program	Prewash	Temp. °C	Number of Rinses	Spin Speed rpm	Max. load (kg)	Water consumption (approx. liter)			Energy consumption (approx. kWh)	Programme time (approx. hrs and min.)
						Hot ¹⁾	Cold ²⁾	Sum ¹⁾⁺²⁾		
Standard cotton		60	3	1200	6	18	37	55	1,50	3:25
Standard cotton		40	3	1200	6	18	37	55	0,90	3:05
Heavy wash	X	90	3	1200	6	7	62	68	2,60	2:05
Heavy wash	X	60	3	1200	6	7	54	61	1,40	1:40
Standard cotton □		60	2	1200	6		50	50	1,07	3:05
Standard cotton □		40	2	1200	6		50	50	0,91	2:55
White		90	3	1200	6	18	45	63	2,40	1:50
White / Colour		60	3	1200	6	18	38	56	1,50	1:30
White / Colour		40	3	1200	6	14	42	56	0,60	1:10
Super quick wash		60	3	800	3	12	28	40	1,00	0:53
Super quick wash		40	3	800	3	12	28	40	0,50	0:43
Synthetics		40	3	800	3	12	28	40	0,42	0:45
Wool/Hand wash		30	3	800	2		60	60	0,35	0:45
Rinse			1	1200	3		15	15	0,10	0:15
MOP wash	X	90	2	1200	6	8	52	60	2,40	2:00
MOP wash	X	60	2	1200	6	8	45	53	1,40	1:25
Micro fibre		60	3	1200	6	18	32	50	1,20	1:20
Micro fibre		40	3	1200	6	18	32	50	0,70	1:00
Disinfection	X	90	2	1200	6	7	63	70	2,80	2:10
Disinfection	X	60	3	1200	6	7	56	63	2,20	2:40
Disinfection	X	40	3	1200	6	7	56	63	1,00	1:40
Allergy cotton		90	6	1200	6	20	57	77	2,70	3:25
Allergy cotton		60	6	1200	6	16	54	70	1,60	2:50
Allergy cotton		40	6	1200	6	16	54	70	1,10	2:30
Allergy synthetics		60	6	1200	3	12	62	74	1,50	2:35
Allergy synthetics		40	6	1200	3	12	62	74	1,10	2:15
Cleaning		90	3	1200	/	20	31	51	2,50	1:55
Program A										
Program B										
Program C										

1) Connection to Hot water, approx. 55 °C.

2) Connection to Cold water, approx. 15 °C.

The above table presents a few examples of the energy, water and time consumption of a few different programme settings. Consumption can vary depending on water pressure, water hardness, water supply temperature, room temperature, load weight and content, variations in the power supply and selected options.

Washing

Adjustment of the displayed washing time

Advanced technology allows the appliance to sense the amount of laundry and add the required amount of water during the washing process. Depending on the washing load, washing time can be longer or shorter and the time displayed will be adjusted accordingly.

Moreover, displayed washing time may change due to differences in inlet water temperature. At low inlet water temperatures, washing time can be longer; at higher temperatures, it can be shorter.

Unevenly distributed laundry or lumps of laundry in the washing machine drum can cause problems such as vibration and noisy operation. The appliance can sense such lumps and will try to redistribute the laundry. Smaller loads (e.g. one towel, one sweater, one bathrobe etc.) or clothes made of materials with special geometrical properties are virtually impossible to distribute evenly across the washing machine drum (slippers, large items etc.). This results in several attempts to redistribute the laundry, which in turn leads to longer program duration.

Washing

6 Close the washer door and press the Start button

NOTE!

A few seconds after you start a programme the washing machine will begin to fill with water from both the hot and the cold supplies. If for some reason no hot water is available, the machine waits for one minute and then fills with cold water only. The wash drum does not start to rotate until it begins to fill with water.

The hot water inlet is only open for washing programs with water temperature of 40 °C or higher.

During the programme

Time remaining

"Programme started" is shown on the display.

Stopping or changing a programme

You can stop a programme by pressing the Stop button for three seconds. "Stop" appears in the display. To restart the machine, select a new programme, add any extra detergent needed and press the Start button.

NOTE!

Do not open the detergent compartment while the machine is running.

7 Once the program has finished

The text "Done" is shown on the display for 2 minutes. The machine then turns off.

Once the program is finished, the washer door will automatically unlock.

- Open the door and remove the laundry. If you have small children or pets at home, close the washer door once you have removed the laundry.

NOTE!

Upon completion of the washing cycle, close the water faucet and unplug the mains cord.

Settings

You can change the following settings:

- Language
- Temperature °C/°F
- Water intake
- Child-safe
- Hot water

Do as follows to open the settings menu:

1. Turn off the machine using the main power switch.
2. Press and hold the Stop button and then press the main power switch. Then press the Stop button 5 times within 10 seconds.
3. Select the setting you want to change by turning the programme selector.
4. Press the Stop button once.
5. Change and save the setting as described below.
6. Press Start to return to the programme menu.

Language

1. Turn the programme selector to choose from: US English, English, Svenska, Dansk, Norsk, Suomi, Français, Deutsch, Italiano, Espanol, Русский, Nederlands.
2. Press the Stop button once to save the setting.

Temperature

1. Turn the programme selector to choose between: °C and °F.
2. Press the Stop button once to save the setting.

Water intake

(depending on the model)

Connecting to both the hot and cold water supplies reduces the wash time and reduces the washing machine's electricity consumption. At the factory, the machine is set for connecting to both hot and cold water supplies. Select Cold if you want to set the machine for cold water intake only.

- Turn the programme selector to choose between: Cold and Hot.
- Press the Stop button once to save the setting.

Child-safe

You can activate the Child-safe start option to prevent children from starting the machine.

1. Turn the programme selector and select "Child-safe On" or "Child-safe Off".
2. Press the Stop button once to save the setting.

You can temporarily deactivate Child-safe start by pressing Start and the Stop button at the same time. Child-safe start will be deactivated for 3 minutes.

Hot water

(depending on the model)

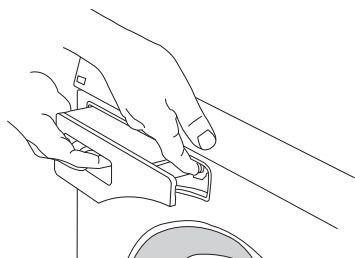
However, if you choose to connect your ECO-machine to only the cold water it is important that you shut off the hot water connection. Now select "Hot water Off". If your machine is connected to both hot and cold water, you should select "Hot water On".

1. Turn the program selector. Select "Hot water Off" for a cold water connection or "Hot water On" if the machine is connected to both hot and cold water.
2. Press the Stop button once to save the setting.

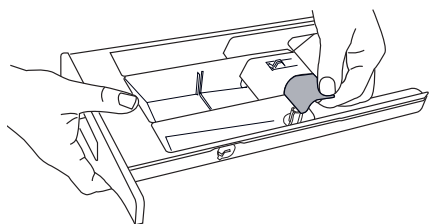
Care and cleaning

Cleaning the detergent compartment

Pull out the detergent compartment using the release button.



Rinse the compartment and scrub it clean. The cover in the fabric softener compartment can be removed.



NOTE!

Do not run the detergent compartment through a dishwasher!

Cleaning the outside of the machine

Clean the outside of the machine and the program panel with a mild cleaner. Do not use any solvents, as these can damage the machine.

NOTE!

Do not hose down the machine with water!

Cleaning the inside of the machine to avoid unpleasant smells

Modern detergents often allow clothes to be washed at low temperatures. This means that small deposits can build up in the machine. These, in turn, may lead to unpleasant smells developing.

To avoid this, we recommend running a 90 °C wash programme once a month. When you do this, use a small quantity of detergent. It is not necessary to put any washing in the machine.

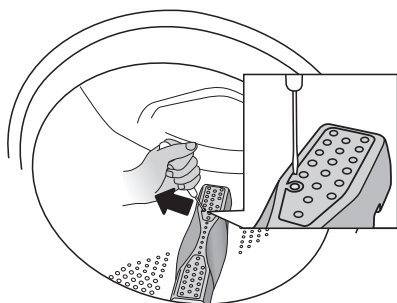
Care and cleaning

Rinse holes under the agitator

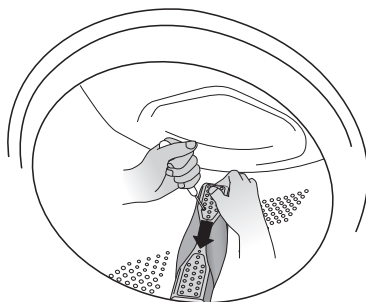
If you suspect that objects such as nails or paper clips may have fallen into the wash drum, you should check the space under the agitator. Such objects can rust and cause spots on clothing. Nails and other sharp objects can cause holes in fabrics.

Do as follows:

1. Insert a screwdriver or the like into the hole on the agitator as illustrated and carefully pry to the left.

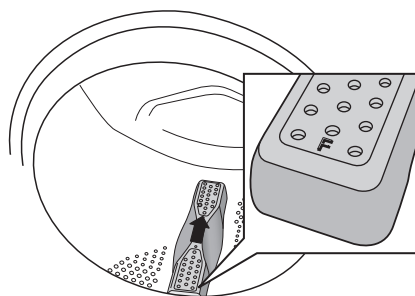


2. Use your other hand to grasp the agitator and pull it towards you.



3. Lift the agitator.
4. Remove any objects.

5. Place the agitator in the mounting hole with the F-mark towards you. Ensure that all the agitator fasteners are in their holes in the drum. Push it in until it catches.



If you have hard water

If you live in an area with hard water (high limescale content), a greyish-white coating may form on the wash drum. To remove this coating, pour approximately 20 gram of citric acid into the wash drum and run any 90 °C programme. Repeat if necessary.

Troubleshooting

The washer door will not open

1. Check that the main power switch is on.
2. Has the power supply been cut off? Check the house fuses (circuit breakers).

If the temperature in the drum exceeds 60 °C, then the door lock will remain activated. The door can be opened at any time with the supplied key.

Opening the door in an emergency

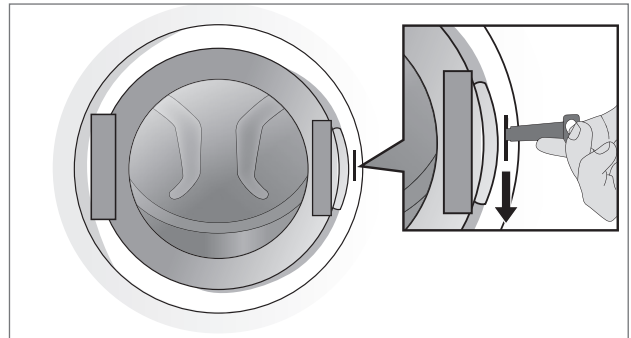
WARNING!



The door may only be opened manually if the electric power is cut and the machine has been drained of water.

- A First empty the water from the washing machine. Press and hold the Stop button for three seconds to pump out the water. If this does not work the machine must be drained manually. See *Cleaning the trap and the drainage pump* in the “Care and cleaning” chapter.
- B Ensure that the main power switch is turned off and that the plug has been removed from the wall socket.
- C Take the emergency door opening key (C) (see figure in the section *Dispenser*) and insert it into the slot on the right-hand side of the washing machine door latch. The key is attached on the back wall of the detergent dispenser. Remove the detergent dispenser from the washing machine and take the door opening key.

- D Push the tool downwards to open the washing machine door.



After use, store the emergency door opening key (C) in the dedicated compartment (B) (see image in the section *Dispenser*).

The machine will not start

1. Is the washer door properly closed? Push it firmly. Then press the Start button.
2. Is there power? Check the fuses and residual current devices (circuit breakers) in the building.

After power failure

Press the main power switch to resume the current programme.

Wet washing still in the machine

A small load can under certain circumstances cause imbalance Unbalance (see “Unbalance”). Rearrange the load and start the spin programme, or load more washing and restart the washing programme.

Troubleshooting

Error messages

If an error occurs during the programme a message is shown on the display. To exit the message after taking measures, turn the machine off and then back on.

The error messages that may be shown in the display are:

Close the Door

Close the washer door and press Start to start the programme.

Over flow fault

- 1 Shut off the water tap.
- 2 See "Water outlet fault".

Water outlet fault

Press the Stop button to empty the machine of water before opening the washer door. If this does not resolve the problem, call the service division.

Water inlet fault

Check:

- that the tap on the water pipe is open.
- that the filter in the machine's water intake is not blocked.

Action:

- 1 Shut off the water tap and unscrew the hose.
- 2 Clean the filter in the intake valve on the machine.
- 3 Screw the hose back on and turn on the tap.
- 4 Run the program again to check if the fault is fixed.
- 5 If this does not resolve the problem, call the service division.

Heating fault

- Turn off the appliance and wait for a few seconds.
- Turn the appliance back on and repeat the washing program.
- If the failure is reported again, call a service division.

Security fault

Call the service division!

Wash motor fault

Call the service division!

Unbalance

The machine stops the spin cycle if there is too much imbalance. The washing machine restarts the spin cycle and hopefully the washing is better distributed in the drum. This procedure can be repeated up to 10 times. If the machine still fails to find a good balance, the programme jumps to the next step.

The error message requires no action.

Technical information

Information on energy labelling

Information sheet pursuant to the Commission Regulations (EU) No. 1061/2010 and 1015/2010

Model	WM70.C
Maximum washing load	6 kg
Energy efficiency class	A+
Annual energy consumption (AE_C)	186 kWh per year ¹⁾
Power consumption	
Standard cotton ◻ 60 °C with a full load ($E_{t,60}$)	1,07 kWh
Standard cotton ◻ 60 °C with half load ($E_{t,60\frac{1}{2}}$)	0,73 kWh
Standard cotton ◻ 40 °C with half load ($E_{t,40\frac{1}{2}}$)	0,57 kWh
Power consumption	
Off (P_0)	0,4 W
Mode without switching off (P_1)	0,4 W
Annual water consumption (AW_C)	10120 litres per year ²⁾
Spinning efficiency class	C ³⁾
Maximum spin speed	1200 rpm
Residual moisture	58 %
Washing program	Standard cotton ◻ ⁴⁾
Program duration	
Standard cotton ◻ 60 °C with a full load ($E_{t,60}$)	185 minutes
Standard cotton ◻ 60 °C with half load ($E_{t,60\frac{1}{2}}$)	125 minutes
Standard cotton ◻ 40 °C with half load ($E_{t,40\frac{1}{2}}$)	120 minutes
Noise emissions	
Washing stage	61 dB(A) re 1 pW
Spinning stage	73 dB(A) re 1 pW

1) Based on 220 standard washing cycles for Standard cotton ◻ for full and half load in energy saving modes. Actual power consumption will depend on the way the appliance is used.

2) Based on 220 standard washing cycles for Standard cotton ◻ with full and half load. Actual water consumption will depend on the way the appliance is used.


3) On a scale from G (the least efficient) to A (the most efficient).

4) Standard cotton ◻ are standard washing programs used for gathering the information for the energy label. These programs are intended for washing normally soiled cotton fabric and they are the most efficient in terms of overall power and water consumption. Actual water temperature may deviate from the temperature selected for the washing cycle.

Technical information

Information for test institute

Energy labelling

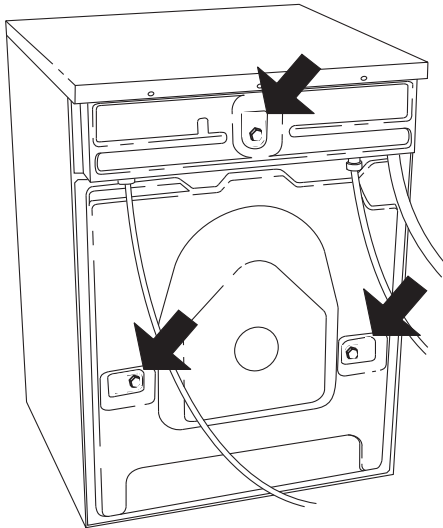
European test standard:	EN 60456
Washing program:	Standard cotton  , 60 °C, 1200 rpm, 6 kg cotton
Connection:	Cold water 15 °C
Test method for noise measurement:	IEC-60704-2-4

Technical data

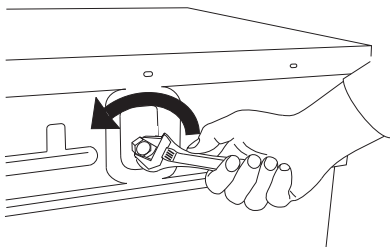
Height:	850 mm
Width:	595 mm
Depth:	585 mm
Weight:	78,5 kg
Cylinder volume:	60 l
Max. washing capacity:	6 kg
Spin speed (rpm):	400-1200
Rated power:	See type plate.
Heater output:	See type plate.
Water pressure:	0,1-1 MPa 1-10 kp/cm ² 10-100 N/cm ²
Wash drum and liquid compartment material:	Stainless steel
Outer casing material:	Powder-coated and hot-galvanized sheet steel or stainless steel.
Water connection:	1,5 m pex pipe
Drain:	1,6 m polypropylene hose 3/4 BSP connection

Transport protection

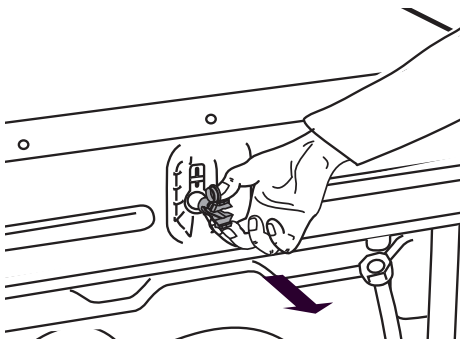
Remove the three transport bolts and the plastic plugs for locking the machine for transport before using the machine.



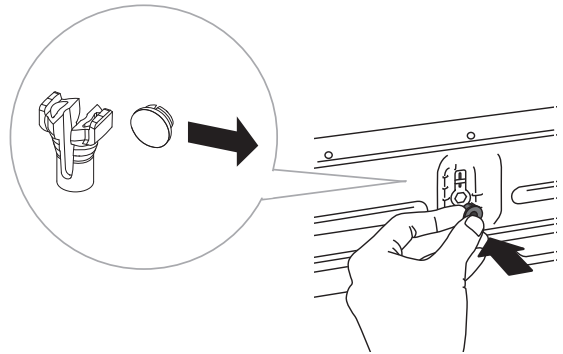
1. Loosen and remove the bolts as illustrated below.



2. To remove the plastic plugs that held the bolts, squeeze together and pull out.



3. Remove the plastic covers from the plugs. Push the plastic covers into the three holes that contained the plugs. Save the plastic plugs in case the machine is moved in the future.



NOTE!

If the machine is to be transported, the bolts and plastic plugs for locking the machine during transport must be installed to prevent damage to the machine through shaking. If the transport bolts or plastic plugs have been lost, you can order new ones from your retailer.

Article number	Designation
80 882 77	Screw
80 901 05	Plastic plug, transport lock

Order three of each item!

Installation

Positioning the washing machine

The washing machine can be installed as a built-in or freestanding unit. Place the machine on a firm surface with easy access to the plug.

A. Built-in

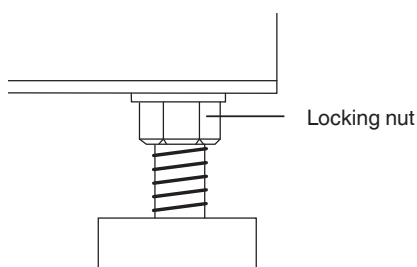
The washing machine can be installed under a counter top with a working height of 850-900 mm. Leave a 5 cm space around the entire machine, including between the rear edge of the top cover and the wall behind it.

B. Freestanding

The washing machine can be positioned beside or under a tumble dryer.

Adjusting the feet

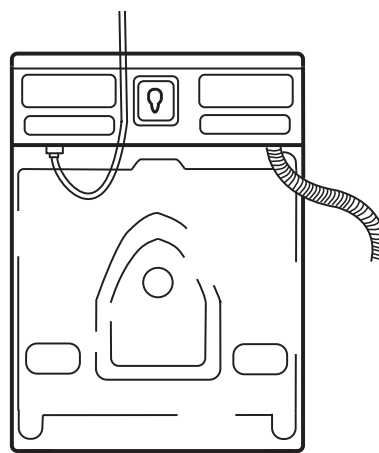
Keep the noise that the machine produces to a minimum by adjusting the feet so that the machine is steady and balanced on the floor. Tighten the lock nuts.



Connection to water supply

Water connection should be carried out by an appropriately qualified person. Connect the machine using the accompanying supply hose. Water pressure should be 0.1–1MPa (approx. 1–10kp/cm² ; 10–100N/cm²). There should be a stopcock on the water pipe.

If the pipes are newly installed, it may be wise to flush them through so that any dirt is washed away. Otherwise, dirt can clog the filter in the machine's water intake and cut off the water supply.



Use only the supply hose supplied with the machine.

Do not re-use old hoses or other loose supply hoses.

Water intake

At the factory, the machine is set for connecting to both hot and cold water supplies. The machine can be set for cold water intake only. See the section "Settings".

Hot water connection

(depending on the model)

A few seconds after you start a programme the washing machine will begin to fill with water from both the hot and the cold supplies. If for some reason no hot water is available, the machine waits for one minute and then fills with cold water only. The wash drum does not start to rotate until it begins to fill with water.

If the appliance is not connected to the hot water line, then deactivate the function in the User Menu.

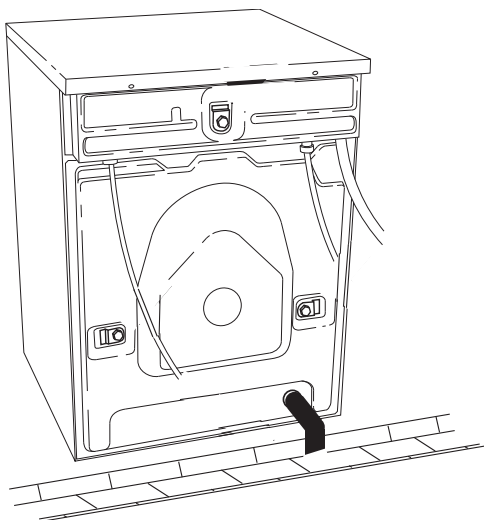
(See chapter Settings.)

Installation

Drainage connection

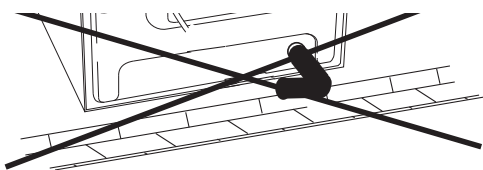
A water outlet hose is included with the machine.

This is attached to the machine's outlet and routed to a floor drain or drainage pipe.



NOTE!

The height of the mouth of the outlet hose must be lower than the lowest part of the outlet valve.



Electrical installation

If the machine is delivered from the factory with a plug attached, it can be connected to an earthed wall socket. Otherwise, a permanent connection using a multipolar circuit breaker must be made by a qualified professional.

Connection on delivery

The machine is supplied as 1-Phase, 230V, 50 Hz, heat output 2000 W and has a 16 A plug. Any residual current devices must be type A.

NOTE!

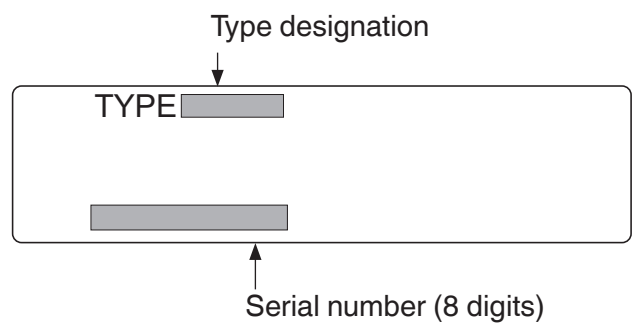
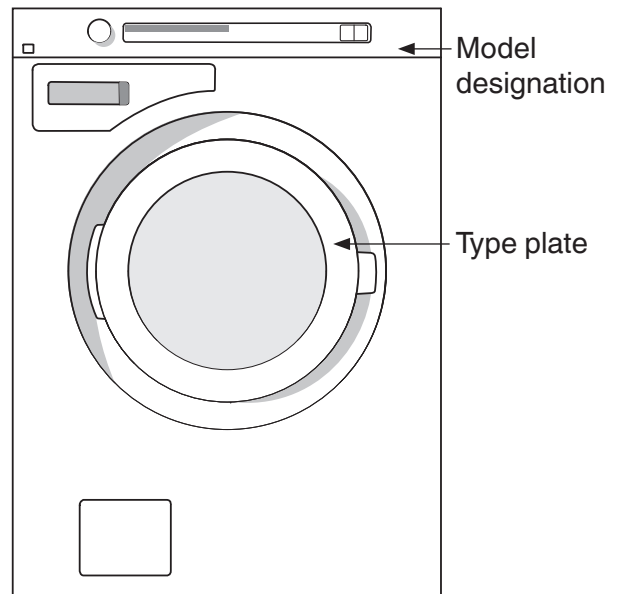
Repairs and maintenance relating to safety or performance must be carried out by a qualified professional.

Service

Before contacting the service division

Before you contact the service division, make sure that you know the model designation, type designation and serial number.

The model designation can be found on the panel. The type designation and serial number can be found on the type plate on the inside of the washer door.

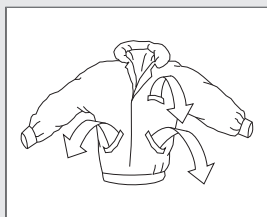


Your notes

Your notes

Your notes

QUICK GUIDE



1.

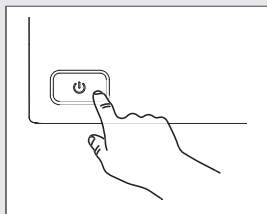
SORT THE WASHING, OPEN THE WASHING MACHINE DOOR AND LOAD THE WASHING

Close zips.

Look at the item's laundry label.

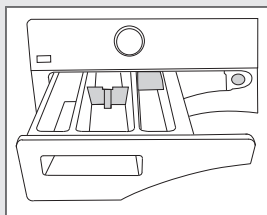
Sort the washing according to how soiled it is, colour and material.

NB! Place underwire bras in a laundry net.



2.

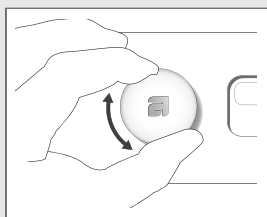
TURN ON THE MAIN POWER SWITCH



3.

ADD DETERGENT AND FABRIC SOFTENER, AS REQUIRED

The detergent packaging will have recommendations for how much detergent you should use. With only a small amount of washing in the machine, you can reduce the amount of detergent used.

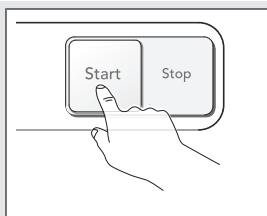


4.

SELECT A PROGRAMME

You select a programme by turning the programme selector.

The selected programme is shown in the display.



5.

CLOSE THE WASHER DOOR AND PRESS THE START BUTTON

The time remaining is shown in hours and minutes.

We reserve the right to make changes.

ASKO

Gorenje, Partizanska 12, 3320 Velenje, Slovenija

www.asko.com

WM70.C
PROFESSIONAL WMC622VG



CE

en (03-20)