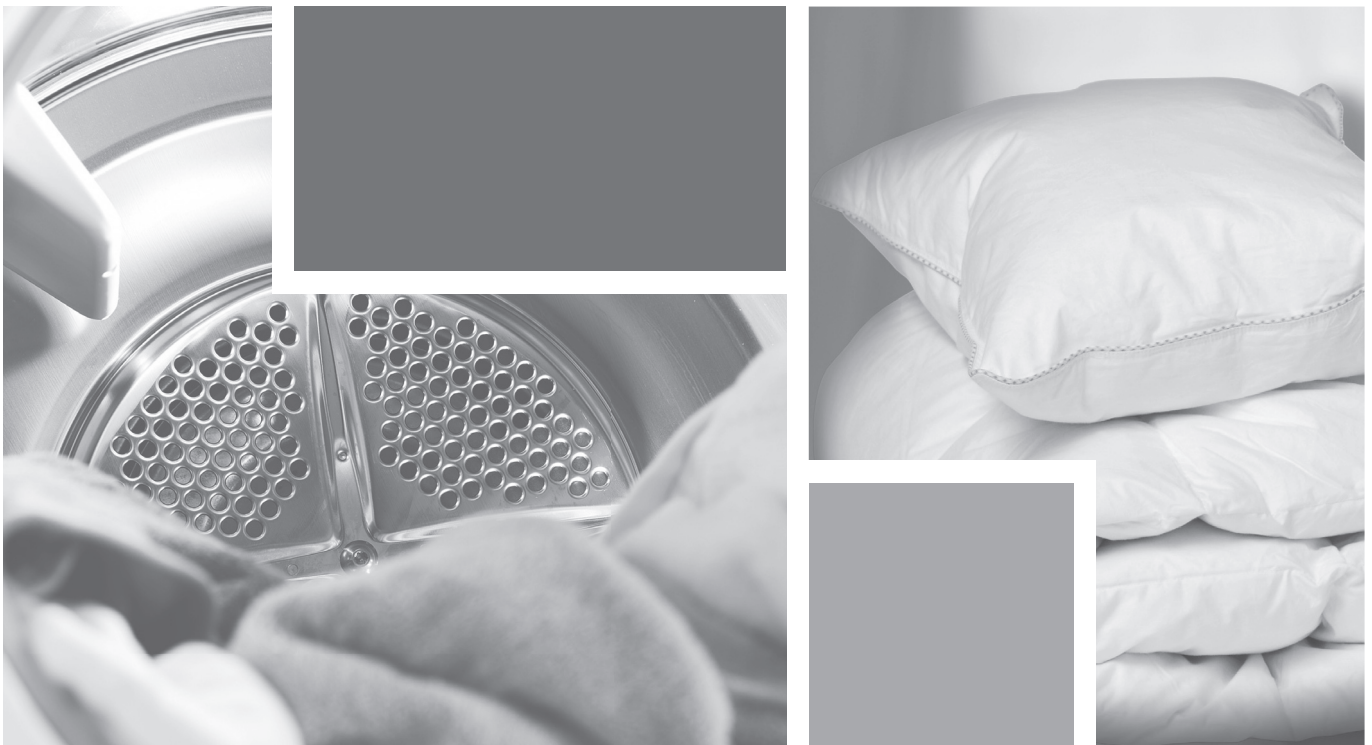


Dear Customer,

Thank you for choosing this quality product from ASKO. We hope it will meet your expectations and fulfil your needs for many years to come. Scandinavian design combines clean lines, everyday functionality and high quality. These are key characteristics of all our products and the reason they are greatly appreciated throughout the world.

To get the most out of your new machine, we recommend that you read the operating instructions before using the machine. The operating instructions also include information on how you can help protect the environment.



## Operating Instructions

Tumble dryer  
PROFESSIONAL TDC111VG

**WARNING:** Read the instructions before using the machine.

# Contents

<b>Before using your machine for the first time</b>	<b>3</b>	<b>Care and cleaning</b>	<b>13</b>
Language selection	3	Cleaning the lint filter	13
<b>Safety instructions</b>	<b>4</b>	Cleaning the outside of the machine	14
Safety	4	<b>Troubleshooting</b>	<b>15</b>
Packing material	4	The machine will not start	15
Recycling	4	The machine loses all power during a programme	15
<b>Child safety</b>	<b>5</b>	Drying takes too long	15
General	5	Error messages	15
Child-safe start	5	<b>Technical information</b>	<b>16</b>
Activating/deactivating Child-safe start.	5	Technical data	16
<b>Description of the tumble dryer</b>	<b>6</b>	Standard tests	16
<b>Advice and tips before you tumble-dry</b>	<b>7</b>	<b>Service</b>	<b>17</b>
Materials that can be tumble-dried	7	Before contacting the service division	17
Materials that must not be tumble-dried	7	<b>Installation</b>	<b>18</b>
Static electricity	7	Positioning the tumble dryer	18
<b>Tumble drying</b>	<b>8</b>	Adjusting the feet	19
Sort your fabrics	8	Air evacuation	20
Press the main power switch until the display lights.	8	<b>Installation</b>	<b>21</b>
Open the door, load the items and then close the door	8	Installing the air exhaust system	22
Select the programme	9	Electrical installation	22
Press the Start button	11	<b>Installation</b>	<b>22</b>
Drying programme finished	11	<b>Door hanging</b>	<b>23</b>
<b>Settings</b>	<b>12</b>	Follow these instructions	24
You can carry out the following settings	12	<b>Quick guide</b>	<b>28</b>
How to choose the settings:	12		
Audible Volume	12		
Language	12		
Child-safe	12		
Heater 2	12		

Original Instructions

# Before using your machine for the first time

## Language selection

You will be prompted to select the display language when you have connected your machine and start it for the first time. Do as follows:

1. Turn the programme selector to choose from:  
US English, English, Svenska, Dansk, Norsk, Suomi, Français, Deutsch, Italiano, Espanol, Русский, Nederlands.
2. Press Stop to save the setting.

## Laundry labels

Certain materials are not suitable for tumble-drying. Always check and follow the instructions on each item's laundry label. You can find more information in the Advice and tips before you tumble-dry chapter.

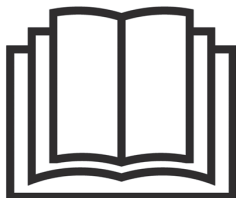
### NOTE!

When starting the tumble dryer for the first time or after a long period without use, you may notice a slight thumping noise. This noise is completely normal and will disappear after a few loads.

# Safety instructions



**Read the operating instructions and keep them in a safe place!**



- Electrical installation, if required, should be carried out by a qualified electrician.
- The machine should only be used for tumble-drying as described in these instructions.
- Repairs and maintenance relating to safety or performance must be carried out by a qualified professional.
- Damaged mains cables must only be replaced by a qualified electrician.
- Sufficient ventilation is required to prevent smoke from open fires or fumes from equipment burning other fuels being sucked into the room when the tumble dryer is running.
- Do not dry dirty laundry in the tumble dryer.
- Items that are stained with e.g. cooking oil, acetone, alcohol, petrol, kerosene, stain remover, turpentine, wax and wax remover should be washed in hot water with extra detergent before they go in the tumbler dryer.
- Items such as foam rubber, latex, plastic, waterproof textiles, rubber-coated items and clothes and foam-rubber filled cushions must not be dried in the tumbler dryer.
- Fabric softener or similar products should be used as per the recommendations of the detergent manufacturer.
- The machine is not designed to be used by persons (even children) that are

physically or mentally handicapped or lack experience and knowledge. Such persons must receive instruction in how to use the machine from the person responsible for their safety.

- Children must be watched to ensure they do not play with the machine.

## Safety

- The machine must not be used for drying items that have been dry-cleaned at home or fabrics that may contain residues of flammable liquids.
- The tumble dryer is not to be used if industrial chemicals have been used for cleaning.
- The tumble dryer is protected by an overheating cut-out. This shuts off the machine if the temperature gets too high.

## WARNING!



When the tumble dryer is operating, the back of the tumble dryer will get very hot. Leave the machine to cool completely before touching the back.

## Installation

See the section Installation.

## Packing material

Please sort waste materials in accordance with local guidelines.

## Recycling

This machine is manufactured and labelled for recycling. In order to prevent personal injury, the machine must be made inoperable after deciding to take it out of service. Contact your local authority for information about where and how your machine should be correctly recycled.

# Child safety

## General

### WARNING!



### Do not allow children to play with the tumble dryer.

- If the door is opened when a programme is running the garments may be very hot, with a risk of burn injuries.
- The tumble dryer does not start automatically when the door is closed (if a child pulls the door shut from the inside, for example).

### Child-safe start

By activating the child-safe start function you can prevent children from starting the tumble dryer or changing the current programme.

### Activating/deactivating Child-safe start.

Do as follows to open the settings menu:

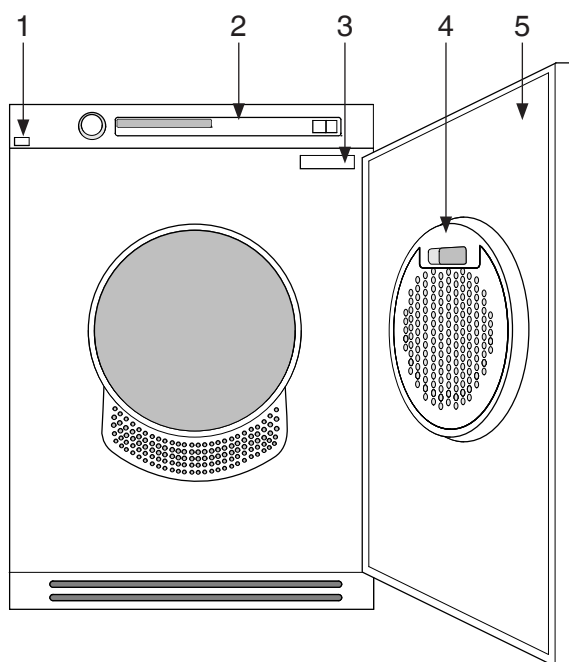
1. Turn off the machine using the main power switch.
2. Press the Stop button and switch on the machine with the main power switch. Then press the Stop button 5 times within 10 seconds.
3. Select the setting you want to change by turning the programme selector.
4. Press the Stop button once.
5. Change and save the setting as described below.
6. Press the Start button to return to the programme menu.

You can activate the Child-safe start option to prevent children from starting the machine.

1. Turn the programme selector and choose Child-safe On or Child-safe Off.
2. Press the Stop button once to save the setting.

You can temporarily deactivate Child-safe start by pressing the Start and Stop buttons at the same time. Child-safe start will be deactivated for 3 minutes.

## Description of the tumble dryer



- 1. Main power switch
- 2. Panel
- 3. Type plate

- 4. Lint filter
- 5. Outer door


# Advice and tips before you tumble-dry

Here are some tips that may help you before you begin tumble-drying.

## Have the clothes been spun?

Items to be tumble-dried should be spun at 1000 rpm or faster. Higher spin speeds save energy and reduce drying time.


## Materials that can be tumble-dried

 This symbol means that the material is suitable for tumble-drying. Fabrics best suited to tumble-drying are cotton fabrics, terry cloth and synthetic fibres. Garments will be softer and lighter when tumbled than when hung out to dry.

### NOTE!

The tumble dryer does not cause any significant wear on fabrics. The lint that collects in the lint filter consists of dust and fibre residues formed when the items are used.

## Materials that must not be tumble-dried

 This symbol means that the material is not suitable for tumble-drying. Certain materials may melt or become a fire hazard if exposed to heat, and others can lose their shape or shrink.

## And do not tumble-dry

- materials labelled "Do not dry near heat".
- garments that have been dry-cleaned at home.
- plastic foam.
- fibreglass material.
- wool must not be tumble-dried because of the risk of felting.

## Static electricity

To reduce the risk of static electricity in the laundry after tumble drying you can:

- Use fabric softener when washing.
- Wait five minutes after the drying program ends before opening the door and removing the laundry from the dryer.

### NOTE!

You can stop the tumble dryer by pressing the Stop button for three seconds or by opening the door. In both cases the programme is stopped and starts from the beginning if restarted. If you do not want to restart the programme then immediately remove all laundry and spread it out to allow the heat to dissipate.

# Tumble drying

Below are step-by-step instructions to help you achieve the best possible tumble-drying results.

## **1 Sort your fabrics**

You will achieve the most uniform drying results if the items are made of the same type of material. Do up zips and buttons, fasten belts, sort the items and adjust the load and temperature.

Do not overload the drum!  
Overloading the dryer will result in poor drying results and wrinkling.

## **2 Press the main power switch until the display lights.**

## **3 Open the door, load the items and then close the door**

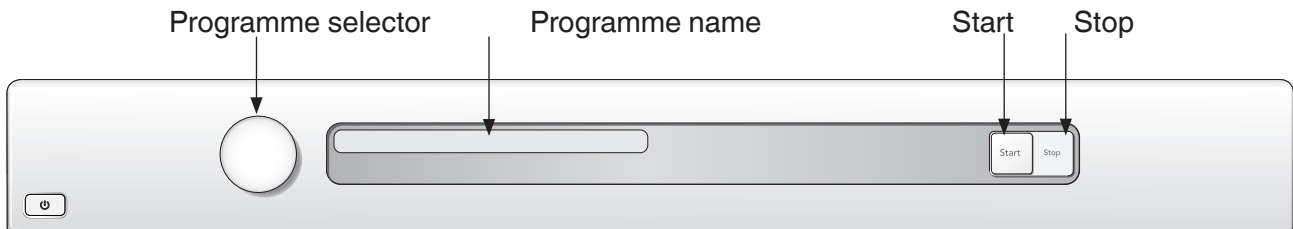
Make sure that objects e.g. detergent dispensing balls, have been removed from the laundry. They could melt and cause damage to the dryer or the laundry.

To save energy, always observe the maximum load for each programme (see Program chart).



# Tumble drying

## 4 Select the programme



Select a programme by turning the programme selector. The selected programme is shown in the display window.

### Guidelines as to what specific programmes can be used for:

The Auto extra dry, Auto dry and Auto normal dry programmes have two temperature settings. Normal temperature but also low temperature for more delicate items.

#### Auto extra dry

Temperature normal. This programme is for items that are particularly difficult to dry, such as jeans with very thick seams.

#### Auto dry

Temperature normal. These programmes shut off the heat once the load is dry but before it is bone dry. The Auto dry programme shuts off the heat slightly later than Auto normal dry. Use trial and error to find out what works best.

#### Auto normal dry

Temperature normal. These programmes shut off the heat once the load is dry but before it is bone dry. The Auto dry programme shuts off the heat slightly later than Auto normal dry. Use trial and error to find out what works best.

#### Auto extra dry $\text{f}^\circ$ (low temperature)

Energy Save. This programme is for items that are particularly difficult to dry, such as jeans with very thick seams.

#### Auto dry $\text{f}^\circ$ (low temperature)

Energy Save. These programmes shut off the heat once the load is dry but before it is bone dry. The Auto dry programme shuts off the heat slightly later than Auto normal dry. Use trial and error to find out what works best.

#### Auto normal dry $\text{f}^\circ$ (low temperature)

Energy Save. These programmes shut off the heat once the load is dry but before it is bone dry. The Auto dry programme shuts off the heat slightly later than Auto normal dry. Use trial and error to find out what works best.

#### Auto Iron dry

This programme shuts off the heat once the load is just damp enough for ironing or pressing.

# Tumble drying

## Programme chart

Here we present the energy and time consumption of a few different programmes. The table shows the effect of using different spin speeds when washing the load. Consumption can vary depending on room temperature, humidity, load, variations in the power supply and selected options.

For the consumption values given below, the requirements are as follows:

Temperature of intake air:	23 °C
Moisture content of intake air:	55 %
Drying temperature:	Normal
Heater output:	3000W

Program	Material	Load	Spin speed (rpm)	Energy consumption, approx. (kWh)	Programme time, approx. (min.)
Auto extra dry	Cotton, linen	1/1	800	4,0	100
			1000	3,8	95
			1400	3,3	85
			1600	3,1	80
Auto dry	Cotton, linen	1/1	800	3,9	90
			1000	3,6	85
			1400	3,1	75
			1600	2,9	70
	Crease-resistant, polyester/cotton	1/2	1000	1,8	50
Auto normal dry	Cotton, linen	1/1	800	3,8	85
			1000*	3,5	80
			1400	2,6	65
			1600	2,5	60
	Crease-resistant, polyester/cotton	1/2	1000*	1,3	35
Auto Iron dry	Cotton, linen	1/1	1000	3,7	80
			800	3,0	70
			1000	2,4	55
			1400	2,0	50

# Tumble drying

## 5 Press the Start button Remaining drying time

An estimate of the remaining drying time will be shown on the display a few minutes after the drying programme starts. For example, 1:35 means that it will take approximately 1 hour and 35 minutes for the load to dry.

The actual remaining time may be longer than the estimated time shown on the display. The remaining time is then shown as 0:15 until the load is sufficiently dry.

You can stop the tumble dryer by pressing the Stop button or by opening the door. In both cases the programme is stopped and starts from the beginning if restarted.

### NOTE!

The programme will not be affected if you change the programme selector after the programme has started.

## 6 Drying programme finished

The text Done appears on the display when the programme is finished.

### Backlighting

Two minutes after the drying programme finishes the backlighting on the display and option buttons enters energy saving mode.

### NOTE!

- Clean the lint filter after each load.

### WARNING!



If the lint filter becomes clogged, the machine's automatic overheating cut-out may be triggered. Clean the filter, wait until the machine has cooled then try starting it. If it still does not start: Call the service division.

### Once drying has finished

Turn off the main power switch. Remove the clothes and close the door to prevent small children from climbing into the machine.

# Settings

## You can carry out the following settings

- Audible Volume
- Language
- Child-safe
- Heater 2

### How to choose the settings:

Do as follows to open the settings menu:

1. Turn off the machine using the main power switch.
2. Press the Stop button and switch on the machine with the main power switch. Then press the Stop button 5 times within 10 seconds.
3. Select the setting you want to change by turning the programme selector.
4. Press the Stop button once.
5. Change and save the setting as described below.
6. Press the Start button to return to the programme menu.

### Audible Volume

1. Turn the programme selector and choose Buzzer On or Buzzer Off to set whether the tumble dryer should audibly indicate that the programme is finished or that an error has occurred.
2. Press the Stop button once to save the setting.

### Language

1. Turn the programme selector to choose from: US English, English, Svenska, Dansk, Norsk, Suomi, Français, Deutsch, Italiano, Espanol, Русский, Nederlands.
2. Press the Stop button once to save the setting.

### Child-safe

You can activate the Child-safe start option to prevent children from starting the machine.

1. Turn the programme selector and choose Child-safe On or Child-safe Off.
2. Press the Stop button once to save the setting.

You can temporarily deactivate Child-safe start by pressing the Start and Stop buttons at the same time. Child-safe start will be deactivated for 3 minutes.

### Heater 2

1. Turn the programme selector and choose "Heater 2 On" (3000W/16A) or "Heater 2 Off" (1950W/10A) to increase or decrease the heat output.
2. Press the Stop button once to save the setting.

#### NOTE!

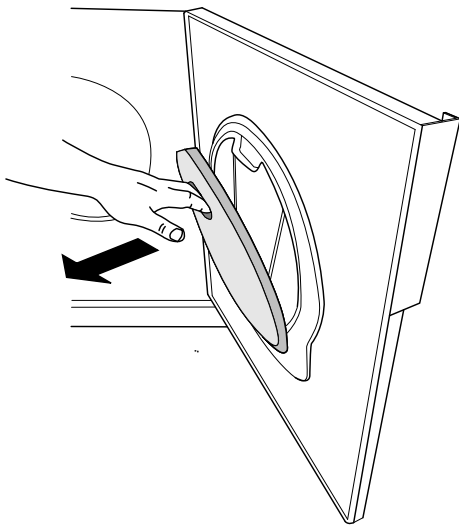
The switchover must be performed by a qualified electrician.

# Care and cleaning

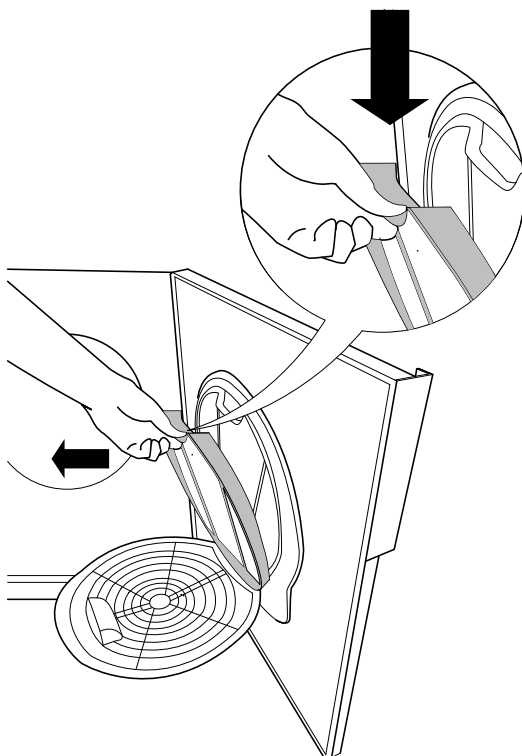
## Cleaning the lint filter

The lint filter must be cleaned after each load.

1. Grasp the filter holder handle and pull it towards you to open the lint filter.



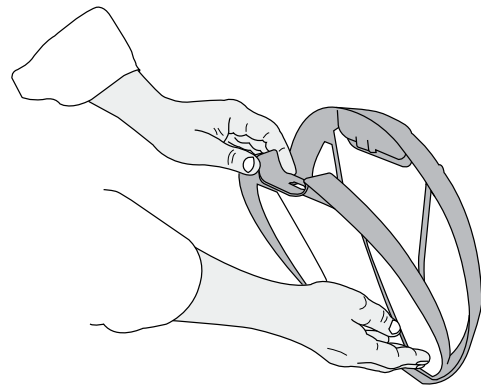
2. Open the lint filter. Use your thumb to press on the edge as illustrated and pull it out.



3. Use your hand or a soft cloth to remove the lint from all sides of the filter. If necessary, use a damp sponge and a small amount of washing-up liquid to remove any deposits. Dry the filter thoroughly with a towel.

### NOTE!

Clean the surface of the lint (fluf) filter after each drying program.



4. To close the lint filter, follow the reverse order of steps used for opening. Then, replace the filter by sliding it back into the door. Close the lint filter before closing the door.

### NOTE!

Clean the filters after each drying. Do not replace the filters if they are damp or wet. Damp or wet filters could cause operational faults.

### NOTE!

The dryer should never be operated without the filters in place, or with damaged filters as excessive amount of accumulated fibres from the fabric could cause malfunction or failure of the dryer.

# Care and cleaning

## **Cleaning the outside of the machine**

Clean the outside of the machine and the programme panel with a mild cleaner. Do not use solvents, as these can damage the machine. Do not hose down or spray the machine with water.

### **NOTE!**

Do not allow dust to accumulate around the machine. Keep the area around the tumble dryer clean and cool; dust, heat and moisture prolong drying times.

# Troubleshooting

## **The machine will not start**

Check

- that the door is properly closed.
- that the main power switch is on.
- that the plug is connected.
- that the main fuses have not blown.
- that the overheating cut-out has not been triggered.

## **The machine loses all power during a programme**

The overheating cut-out shuts off the tumble dryer if the temperature is too high, e.g. because dust is clogging the lint filter.

- Clean the lint filter.
- Wait until the machine has cooled then try starting it. If it still does not start: Call the service division.

## **Drying takes too long**

- Check that the lint filter is not blocked. See the Care and cleaning chapter.

## **Error messages**

- Read Drying takes too long in this chapter if Max program time appears on the display.
- If Clean Lint Filter appears on the display, clean the lint filter.
- Call the service division if Thermistor fault appears on the display.
- Press the Stop button to close any error messages.

# Technical information

## Technical data

Height:	845 mm
Width:	595 mm
Depth:	585 mm
Weight (net):	41 kg / 42 kg (depending on model)
Cylinder volume:	112 l
Max. drying capacity:	6 kg
Speed:	50-55 rpm
Rated power:	See type plate.
Drum material:	Stainless steel
Outer casing material:	Powder-coated and hot-galvanized sheet steel or stainless steel.
Setup	Stacking or freestanding

## Standard tests

Europe:	
Drying performance:	EN 611 21 (95/13/EEC). Auto normal dry, 6 kg cotton
Energy declaration:	EN 611 21 (95/13/EEC). Auto normal dry, 6 kg cotton
Test method for noise measurement:	IEC 60 704-2-6.



# Service

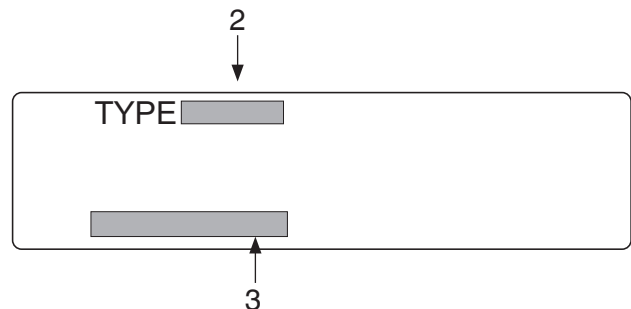
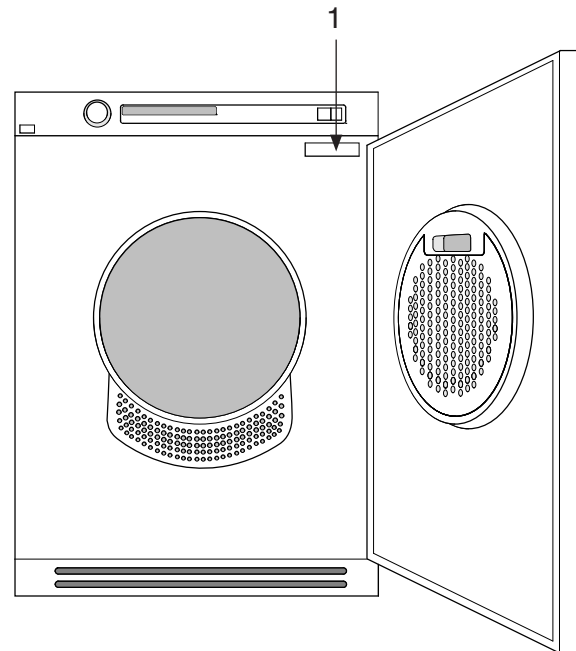
## Before contacting the service division

See the Troubleshooting and Care and cleaning chapters to see whether you can rectify the problem. If you need to contact the service division, make sure that you know the model designation, type designation and serial number.

The model designation (1) can be found on the first page of the operating instructions and on the machine panel. The type designation (2) and serial number (3) can be found on the type plate, which is found on the front of the tumble dryer inside the outer door.

### NOTE!

Only authorised spare parts shall be used in the event of failure.



### NOTE!

Repair or any warranty claim resulting from incorrect connection or use of the dryer shall not be covered by the warranty. In such cases, the costs of repair shall be charged to the user.

# Installation

## Positioning the tumble dryer

The tumble dryer can be free-standing or in a stack. Remember that the tumble dryer produces heat and should therefore not be located in a room that is too small. If the room is very small, drying will take longer due to the limited quantity of air.

### NOTE!

Do not install the machine in a room where there is a risk of frost occurring. At temperatures around freezing point the machine may not be able to operate properly.

The room in which the appliance is installed should be adequately ventilated, with temperature between 15 °C and 25 °C.

### CAUTION!

- Any electrical installation must be carried out by qualified professionals.
- The machine must not be installed behind a lockable door, a sliding door or a door with hinges on the opposite side to those of the tumble dryer.
- The tumble dryer's plinth ventilation must not be blocked by a rug or the like.

### TIP!

To improve ventilation, leave the door to the room where the tumble dryer is located open.

## Freestanding

The tumble dryer can be positioned beside the washing machine. An air gap of at least 5 mm must be left between the washing machine and the tumble dryer.

If the customer has a problem with the machine sliding when on a low-friction floor, the plastic cups can be used under the feet of the tumble dryer (between foot and floor).

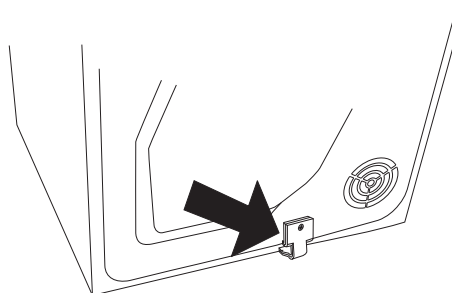
## Stacking

The tumble dryer can be placed on top of a washing machine. In this case you use the

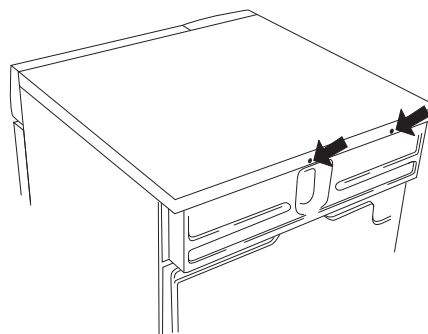
stacking attachments (foot cups and antitilt devices) that come with the machine. You will find two foot cups in a bag in the drum and two anti-tilt devices are attached to the bottom left corner at the back of the machine. Extending plates can be ordered from your local retailer.

## How to assemble the stack:

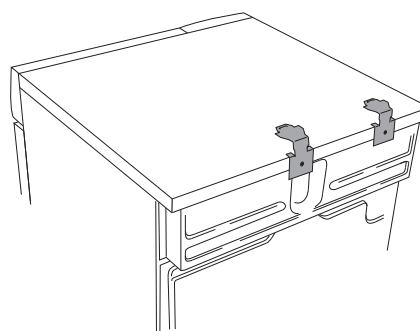
1. Undo the anti-tilt device. Fasten the screw back into place



2. Undo the two screws indicated on the back of the washing machine.

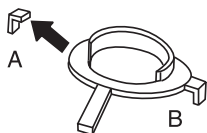


3. Secure the anti-tilt device using the screws as shown in the picture.

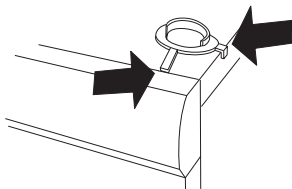


# Installation

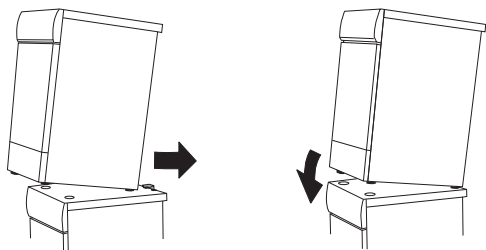
4. Attach the plastic cups for fixing the tumble dryer's front feet to the washing machine's top cover. This is essential, as only when the tumble dryer's feet are resting in the plastic cups can you be sure that the dryer is correctly positioned on the washing machine. Break off tag A on the cup fitted on the right-hand side and tag B on the cup fitted on the left-hand side. Then remove the paper from the self-adhesive surface under the plastic cups.



5. Fit the plastic cups so that the "tags" marked with arrows are against the front edge or side edge of the cover and press them firmly onto the cover. Then break off the remaining tags.



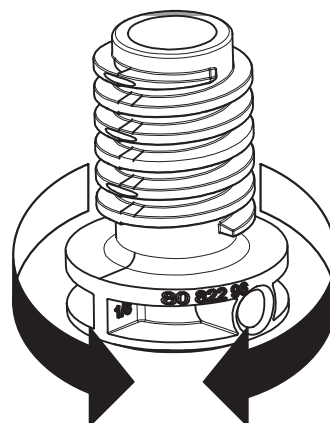
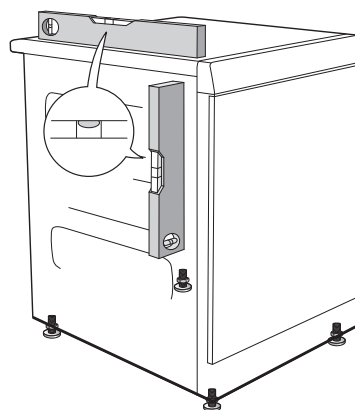
6. Push the tumble dryer in under the metal brackets. At the same time keep the front edge raised by 10 mm to 20 mm.



7. Lower the tumble dryer's front feet into the plastic cups and adjust the dryer to ensure that it is balanced.

## Adjusting the feet

Screw the feet in or out so that the tumble dryer is steady and balanced on the floor or on the washing machine.



# Installation

## Air evacuation

Waste air from the tumble dryer must be taken to an evacuation duct or to an outlet in the wall using the vent hose supplied.

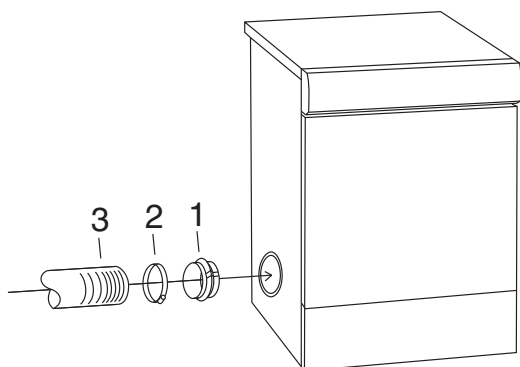
### NOTE!

The tumble dryer must only be operated when it is correctly fitted with exhaust duct.

## Connection to the tumble dryer

The tumble dryer has three options for venting air: at the back, on the right side and on the left side. One hole is open when the tumble dryer is supplied. The other two have covers.

The tumble dryer comes with a connector (1), a plastic band (2) and a vent hose (3).

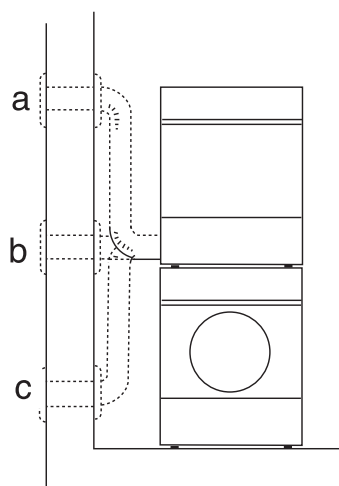


## Fit the air evacuation system as follows:

1. Slip the vent hose onto the connector and secure it using the plastic band.
2. Remove the plastic cover if you want to fit the vent hose to one of the holes other than the one already open.
3. Insert the connector with the vent hose into the opening.
4. Place the cover over the open hole.

## Connection to the evacuation duct

The vent hose must take the shortest and straightest route possible from the tumble dryer to the evacuation duct. Trim or cut the vent hose if it is too long. If necessary, the vent hose can be extended to a maximum of 8 metres (inner diameter 102 mm). If a longer hose is needed, a larger inner diameter is required in order to maintain the tumble dryer's fan capacity. Any bends must be as gradual as possible. If 90° bends are necessary, there must be no more than four. More bends will reduce the tumble dryer's fan capacity.



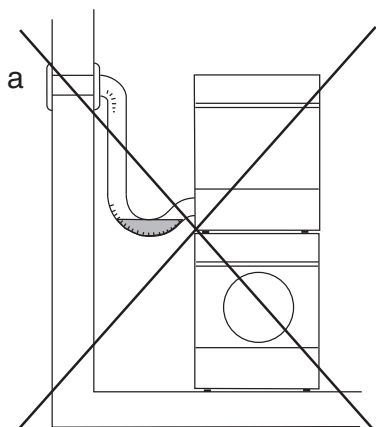
## CAUTION!

Air from the tumble dryer must not be fed through ducts used for equipment that burns gas or other fuels.

# Installation

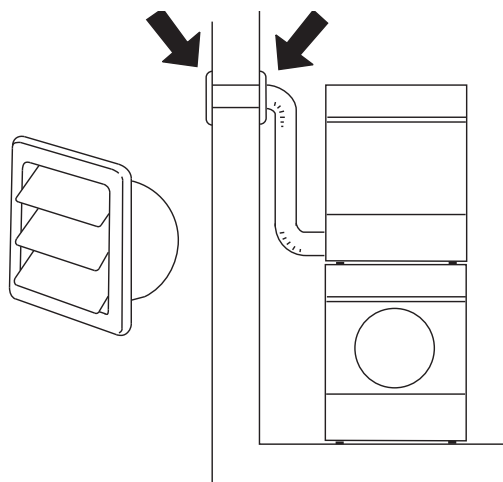
## Installation in a hot environment

If you install the tumble dryer in a small room with a high atmospheric humidity, where the temperature may exceed 25°C, there is a risk of condensation accumulating in a kink and obstructing the air flow, resulting in poor drying results. To avoid this happening, the hose must not be fitted so that it goes up (a), but instead so that it is horizontal (b) or goes down (c) from the drier.

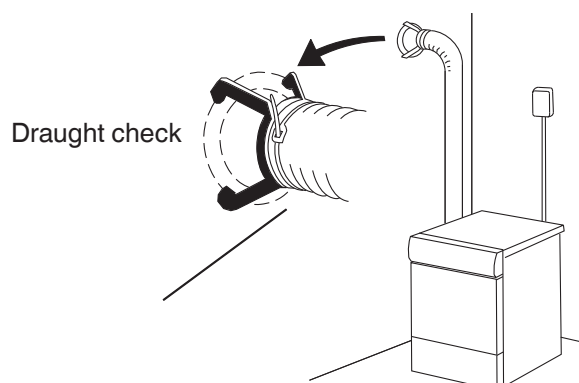


## Accessories

If the vent hose runs to an outlet in the wall, you can prevent the inflow of cold air by fitting a ventilation grill. This grill can be installed either outside or inside.



If there is only one evacuation duct from the room, a “draught check” must be fitted.



These accessories can be purchased from your retailer.

## NOTE!

Avoid:

- very long exhausting systems
- too many corners
- tight corners

These reduce efficiency and increase time and energy consumption.

# Installation

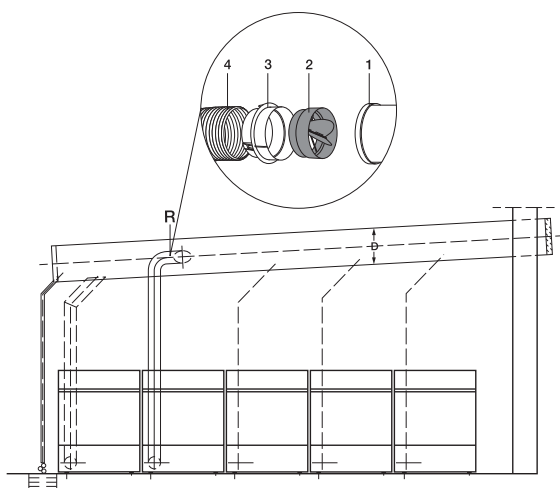
## Installing the air exhaust system

If several tumble dryers are connected to an air exhaust system, a non-return flap valve (R) **has to be** installed for each dryer. Installing a non-return flap valve will prevent air backflow into the dryer.

To install the non-return flap valve, some extra equipment is required:

Exhaust connection (1), non-return flap valve (2), adapter piece (3), flexible exhaust duct (4)

Non-return flap valve and the adapter piece are not supplied with the appliance and should be purchased extra at a specialized store.



### NOTE!

Please ensure the non-return flap valve is cleaned regularly.

Up to five tumble dryers can be connected to an air exhaust system.

If between two and five tumble dryers are connected to an air exhaust system, the diameter of the exhaust duct (D) should be increased:

- 2-3 dryers →  $D \times 1.25$
- 4-5 dryers →  $D \times 1.5$

## Electrical installation

If the machine is delivered from the factory with a plug attached it can be connected to an earthed wall socket. Otherwise, a permanent connection using a multipolar circuit breaker must be made by a qualified professional.

### Connection on delivery

- 230 V, 1-Phase, 16 A
- 50 Hz
- Heat output 3000 W
- Use a type A residual-current device.

### NOTE!

Do not connect the machine to the mains electricity supply by an extension lead.

### Switch-over

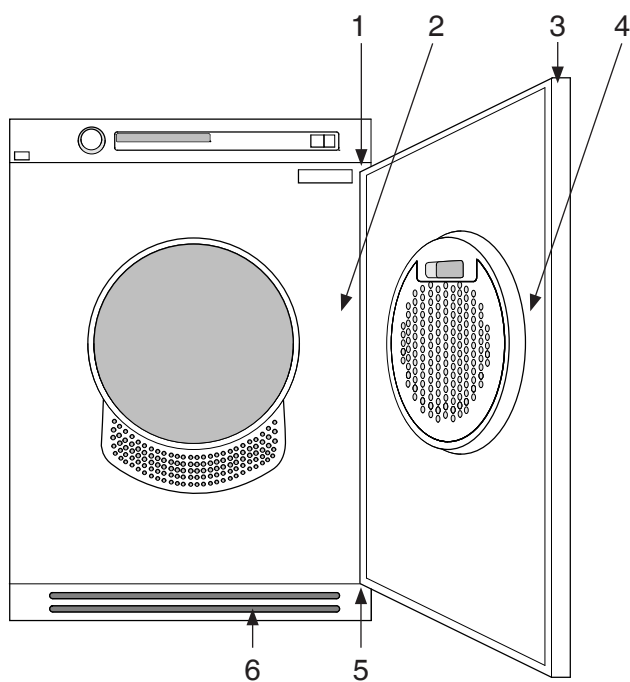
The switchover must be performed by a qualified electrician. See the section Settings.

### Coin operation

The machine is prepared for coin operation. Such installation must be carried out by a qualified professional.

The installation requires a connection cable to power the coin meter. This connection cable can be ordered using the factory art. no. 92 090 95. The coin meter shall be able to short circuit two signal lines for periods of up to 10 minutes. This is to give the user time to load the machine, choose a programme and start the programme after putting the coins in. "Insert coin" appears on the display when the machine is started with the main power switch.

# Door hanging



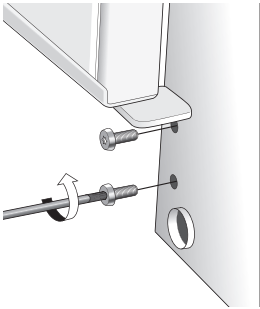
- 1. Hinge pins (top and bottom)
- 2. Cover plate
- 3. Plastic plugs (on the upper and lower edges)
- 4. Locking hook
- 5. Hinges (left + right side)
- 6. Plinth

# Door hanging

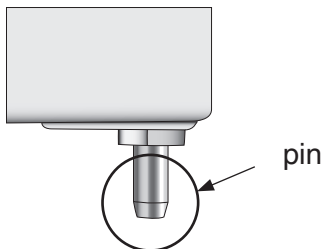
You can choose whether the door is hung on the right or the left.

## Follow these instructions

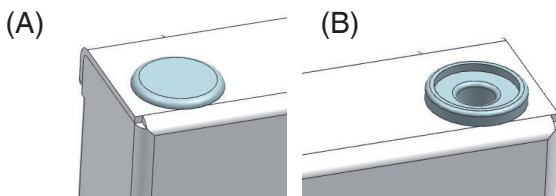
1. Remove the plinth.
2. Remove the hinge, two screws.



3. Lift the door up and remove it. Support the door at the same time.
4. Remove both door pins (top and bottom). Fit them on the other side of the machine. Refit the hinge.



5. Also change the hole plug (A) (on top) and the door hinge bushing (B) (at the top and on the bottom), and replace them on the other side of the door.

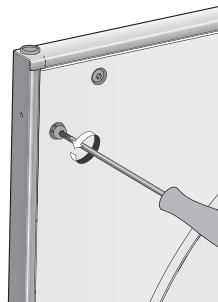


Use a flat-bladed screwdriver to remove the plugs.

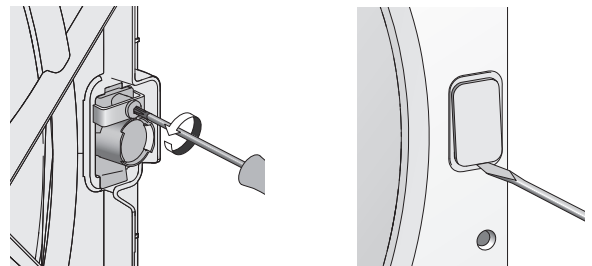
## NOTE!

Be careful not to damage the appliance with the screwdriver.

6. Loosen the screws (13 in total) on the inside of the door.



7. Loosen the inner part of the door (pull down and lift out).
8. Switch the catch (magnetic lock) and the cover plate. First loosen the screw holding the catch (magnetic lock) in place. Then use a flat-bladed screwdriver to remove the cover plate. Refit the catch (magnetic lock) and the cover plate on the other side.



9. Reattach the inner part of the door with the screws (13 in total).
10. Loosen the two screws holding the handle in place on the door. Push out the two plastic plugs inside the screw holes on the other side of the door. Use the two screws to attach the handle to the other side of the door and press the plastic plugs into the holes where the handle was previously fitted.
11. Refit the door by loosening the hinge screws slightly, affixing the door and closing it. Retighten the hinges. Replace the plinth.

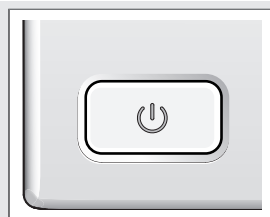


# Door hanging

# Door hanging

# Door hanging

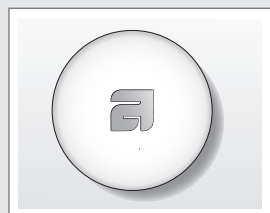
## QUICK GUIDE



1.

### TURN ON THE MAIN POWER SWITCH

Load the garments. Close the door.



2.

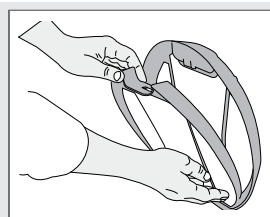
### SELECT A PROGRAM AND ANY OPTIONS

Turn the program selector to the desired program.



3.

### PRESS THE START BUTTON



4.

### DRYING PROGRAM FINISHED

End appears on the display when the program is finished.

Clean the lint filter after each load.

Turn off the main power switch and close the door.

We reserve the right to make changes.

# ASKO

Gorenje, Partizanska 12, 3320 Velenje, Slovenija

[www.asko.com](http://www.asko.com)