

MO23ORAW  
MO23ORAB

**gorenje**  
BY  
**ora'ito**



Instruction manual / Microwave oven	
EN .....	4
Gebrauchsanweisung / Mikrowellengerät	
D .....	21
Notice d'utilisation / Micro-ondes	
F .....	39
Návod na použití / Mikrovlnná trouba	
CZ .....	56
Návod na obsluhu / Mikrovlnná rúra	
SK .....	73
Használati utasítás / Mikrohullámú sütő	
H .....	89
Instrukcja obsługi / Kuchenka mikrofalowa	
PL .....	106
Istruzioni per l'uso / Microwave oven	
IT .....	124

---

## DEAR CUSTOMER

We sincerely thank you for your purchase. We believe you will soon find ample evidence that you can really rely on our products. To make the use of the appliance easier, we attach these comprehensive instruction manual.

The instructions should aid you in getting familiar with your new appliance. Please, read them carefully before using the appliance for the first time.

In any case, please make sure the appliance was supplied to you undamaged. Should you identify and transport damage, contact your sales representative or the regional warehouse from where the product was delivered. You will find the telephone number on the receipt or delivery report.

We wish you a lot of pleasure with your new household appliance.



The appliance for household use for heating food and beverages using electromagnetic energy, for indoor use only.

---

## INSTRUCTIONS FOR USE

Carefully read the instructions and save them for future reference.

These instructions are intended for the user. They describe the cooker and how to use it. They also apply to different types of appliances, therefore you may find some descriptions of functions that may not apply to your appliance.

## IMPORTANT SAFETY INSTRUCTIONS



Never touch the surfaces of heating or cooking appliances. They will become hot during operation. Keep children at a safe distance. There is a risk of burning!



Microwave energy & High voltage!  
Do not remove the cover.

**WARNING!** The appliance and its accessible parts become hot during use. Care should be taken to avoid touching heating elements. Children less than 8 years of age shall be kept away unless continuously supervised. Children should be supervised to ensure that they do not play with the appliance.

This appliance can be used by children aged from 8 years and above and persons with reduced physical, sensory or mental capabilities or lack of experience and knowledge if they have been given supervision or instruction concerning use of the appliance in a safe way and understand the hazards involved. Children shall not play with the appliance. Cleaning and maintenance shall not be made by children unless they are older than 8 and supervised.

Keep the appliance and its cord out of reach of children less than 8 years.

- **WARNING:** When the appliance is operated in the combination mode, children should only use the oven under adult supervision due to the temperatures generated; (Only for the model with grill function)

- **WARNING:** If the door or door seals are damaged, the oven must not be operated until it has been repaired by a competent person;
- **WARNING:** It is hazardous for anyone other than a competent person to carry out any service or repair operation that involves the removal of a cover which gives protection against exposure to microwave energy;
- **WARNING:** liquids and other foods must not be heated in sealed containers since they are liable to explode.
- Children should be supervised to ensure that they do not play with the appliance.
- Don't remove oven's feet, do not block air vents of the oven.
- Only use utensils that are suitable for use in microwave ovens.
- When heating food in plastic or paper containers, keep an eye on the oven due to the possibility of ignition;
- If smoke is observed, switch off or unplug the appliance and keep the door closed in order to stifle any flames;
- Microwave heating of beverages can result in delayed eruptive boiling, therefore care must be taken when handling the container;
- The contents of feeding bottles and baby food jars shall be stirred or shaken and the temperature checked before consumption, in order to avoid burns;
- Eggs in their shell and whole hard-boiled eggs should not be heated in microwave ovens since they may explode, even after microwave heating has ended;
- When cleaning surfaces of door, door seal, cavity of the oven, use only mild, nonabrasive soaps, or detergents applied with a sponge or soft cloth.

- The oven should be cleaned regularly and any food deposits removed;
- Failure to maintain the oven in a clean condition could lead to deterioration of the surface that could adversely affect the life of the appliance and possibly result in a hazardous situation;
- If the supply cord is damaged, it must be replaced by the manufacturer, its service agent or similarly qualified persons in order to avoid a hazard.
- Do not let the cord hang over the edge of the table or worktop.
- Never connect this appliance to an external timer switch or remote control system in order to avoid a hazardous situation.
- Never replace the light bulb inside the oven. It must always be replaced by Gorenje service.
- Do not clean the appliance with steam cleaners, high-pressure cleaners, sharp objects, abrasive cleaning agents, and abrasive sponges and stain removers.

## SAFETY INSTRUCTIONS FOR GENERAL USE

Listed below are, as with all appliances, certain rules to follow and safeguards to assure top performance from this oven:

1. Always have the glass tray, roller arms, coupling and roller track in place when operating the oven.
2. Do not use the oven for any reason other than food preparation, such as for drying clothes, paper, or any other nonfood items, or for sterilizing purposes.
3. Do not operate the oven when empty. This could damage the oven.
4. Do not use the oven cavity for any type of storage, such as papers, cookbooks, etc.
5. Do not cook any food surrounded by a membrane, such as egg yolks, potatoes, chicken livers, etc without first being pierced several times with a fork.
6. Do not insert any object into the openings on the outer case.
7. Do not at any time remove parts from the oven such as the feet, coupling, screws, etc.
8. Do not cook food directly on the glass tray. Place food in/on proper cooking utensil before placing in the oven.

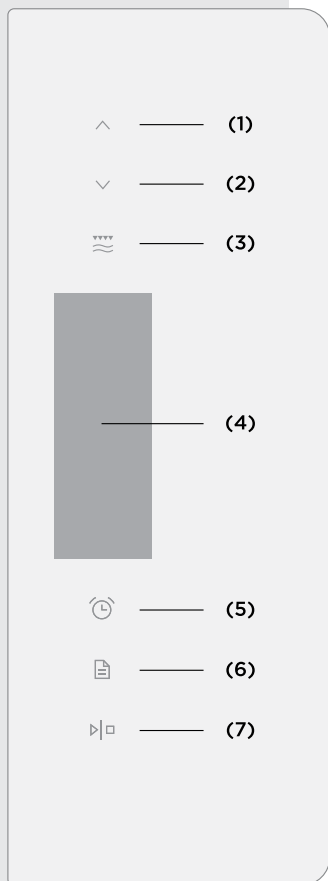
### **IMPORTANT - COOKWARE NOT TO USE IN YOUR MICROWAVE OVEN**

- Do not use metal pans or dishes with metal handles.
  - Do not use anything with metal trim.
  - Do not use paper covered wire twist-ties on plastic bags.
  - Do not use melamine dishes as they contain a material which will absorb microwave energy. This may cause the dishes to crack or char and will slow down the cooking speed.
  - Do not use Centura Tableware. The glaze is not suitable for microwave use. Corelle Livingware closed handle cups should not be used.
  - Do not cook in a container with a restricted opening, such as a pop bottle or sealed oil bottle, as they may explode if heated in a microwave oven.
  - Do not use conventional meat or candy thermometers.
  - There are the thermometers available specifically for microwave cooking. These may be used.
9. Microwave utensils should be used only in accordance with manufacturer's instructions.
  10. Do not attempt to deep-fry foods in this oven.

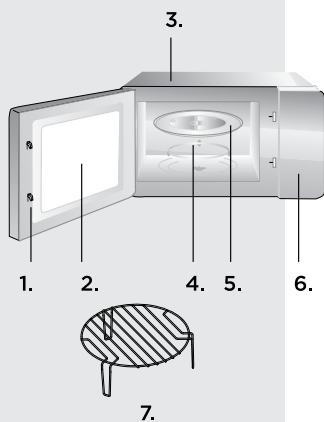


11. Please remember that a microwave oven only heats the liquid in a container rather than the container itself. Therefore, even though the lid of a container is not hot to the touch when removed from the oven, please remember that the food/liquid inside will be releasing the same amount of steam and/or spitting when the lid is removed as in conventional cooking.
12. Always test the temperature of cooked food yourself especially if you are heating or cooking food/liquid for babies. It is advisable never to consume food/liquid straight from the oven but allow it to stand for a few minutes and stir food/liquid to distribute heat evenly.
13. Food containing a mixture of fat and water, e.g. stock, should stand for 30-60 seconds in the oven after it has been turned off. This is to allow the mixture to settle and to prevent bubbling when a spoon is placed in the food/liquid or a stock cube is added.
14. When preparing/cooking food/liquid and remember that there are certain foods, e.g. Christmas puddings, jam and mincemeat, which heat up very quickly. When heating or cooking foods with a high fat or sugar content do not use plastic containers.
15. Cooking utensil may become hot because of heat transferred from the heated food. This is especially true if plastic wrap has been covering the top and handles of the utensil. Potholders may be needed to handle the utensil.
16. To reduce the risk of fire in the oven cavity:
  - a) Do not overcook food. Carefully attend microwave oven if paper, plastic, or other combustible materials are placed inside the oven to facilitate cooking.
  - b) Remove wire twist-ties from bags before placing bag in oven.
  - c) If materials inside the oven should ignite, keep oven door closed, turn the oven off at the wall switch, or shut off power at the fuse or circuit breaker panel.
17. This appliance is intended to be used in household and similar applications such as:
  - staff kitchen areas in shops, offices and other working environments;
  - farm houses;
  - by clients in hotels, motels and other residential environments;
  - bed and breakfast type environments.

# CONTROL PANEL



1. Up (+)
2. Down (-)
3. Heating function - MICRO/GRILL
4. Display Window
5. CLOCK/TIMER
6. AUTO MENU
7. START/RESET



1. Door Safety Lock System
2. Oven Window
3. Oven Air Vent
4. Roller Ring
5. Glass Tray
6. Control Panel
7. Grill rack

# INSTRUCTIONS FOR USE

## 1. QUICK START

Use this function to rapidly heat (100% microwave power) or cook your food. In the standby mode, press the START key and the oven will operate for 60 seconds.

**Example:** To heat a glass of milk

- a) Put a glass of milk onto the glass turntable and close the door.
- b) Press the button START/RESET, the microwave oven will work on 100% power for 1 minutes.
- c) You will hear 5 beeps when cooking is completed.

## 2. MICROWAVE HEATING

**This function has two options.**

### a) Quick microwave heating (100% power)

**Example:** To heat food on 100% power for 5 minutes

1. Set time to »5:00«.
2. Press START/RESET.

### b) Manual-operation microwave heating

**Example:** To heat food on 70% power for 10 minutes

1. Press MICRO/GRILL button, select »70%« power.
2. Set time to »10:00«.
3. Press START/RESET.

**There are 5 power levels and the longest microwave cooking time is 60 minutes.**

Touching times "MICRO/GRILL"	Microwave power	Display
1	100%	P100
2	70%	P70
3	50%	P50
4	30%	P30
5	10%	P10

---

### 3. AUTO DEFROST

The oven allows defrosting of meat, poultry, and seafood. Defrosting time and operating power will be adjusted automatically according to the preset weight. Weight of the food to be defrosted may be between 100 g and 2000 g.

**Example: defrost 0.5 kg of frozen meat**

- a) Press MICRO/GRILL to select »DEF«.
- b) Input weight by pressing UP and DOWN button.
- c) Press the START key to start the program.

---

### 4. GRILL

Grilling is especially suitable for thin slices of meat, escalopes or steaks, meat chops, skewers, sausages, or pieces of chicken. Grilling is also suitable for toasting bread or sandwiches and finishing dishes au gratin.

This function has two options. You may select between the two by pressing the MICRO/GRILL button (the longest cooking time is 60 minutes):

**Option 1:** 85% grill power, display G-1

**Option 2:** 50% grill power, display G-2

**Example:** Cooking food using the grill for 20 minutes

- a) Press MICRO/GRILL until display shows »G-1«.
- b) Set cooking time »20:00«.
- c) Press START/RESET.

**NOTE:** When grilling, food is not heated by microwaves. Heat is radiated from the metal heater at the top of the oven. When grill is working, the cooking time is divided into 2 stages. After the 1st stage, program will automatically pause and sound 2 beeps, indicating you to open the oven and turn over the food. Close the door after turning the food. Press START/RESET button and the cooking will continue for the 2nd stage. If you do not want to turn over the food, the oven will re-start automatically after 1 min pause.

---

### 5. COMBINATION COOKING

**With this appliance you can select between two options of combination cooking.**

**Option 1:** The oven will operate with microwaves 55 percent of the time, and with grill 45 percent of the time. This operating mode is suitable for cooking fish or dishes au gratin. Display will show »C-1«.

**Option 2:** The oven will operate with microwaves 30 percent of the time, and with grill 60 percent of the time. This operating mode is suitable for cooking pudding, souffles, omelettes, baked potatoes, and poultry. Display will show »C-2«.

**Example:** Cooking food using option 2 for 15 minutes

- Press MICRO/GRILL until display shows »C-2«.
- Set cooking time to »15:00«.
- Press START/RESET.

## 6. AUTO-MENU

**For the food in the auto menu, only the type of food and the weight/amount have to be set. The oven will aid you in the setting of power and time.**

**Example:** Auto cooking 0.4 kg fish

- Press AUTO MENU button until »A-5« displayed.
- Input the weight by pressing the button UP and DOWN.
- Press START/RESET.

Menu	Weight/ amount	Microwave power	
A-1 Rice	100 - 500g	16 - 23min	80%
A-2 Vegetable	100 - 600g	2 - 7min 30sec	100%
A-3 Noodles	1 - 2	4min 30sec - 7min 40sec	100%
A-4 Meat	200 - 1000g	7 - 19min	80%
A-5 Fish	200 - 1000g	4 - 12min	80%
A-6 Chicken	200 - 1000g	14min 30sec - 34min	55%
A-7 Liquid	2 - 10dl	2 - 5min	100%
A-8 Popcorn	100g	3min 30sec	100%

---

## 7. CLOCK

The oven is fitted with a digital clock. When the oven is in the standby mode, the clock can be set in the 24-hour mode by pressing the CLOCK key.

**Example:** To set the time to 8:30

- a) Press the CLOCK/TIMER button. Display will start flashing, adjust the hour with UP and DOWN buttons.
- b) Press CLOCK/TIMER again, adjust the minutes with buttons UP and DOWN.
- c) Press CLOCK/TIMER again and the clock will be set.
- d) If you want to change the time, repeat the procedure above.

---

## 8. DELAY START

**This allows you to set the microwave oven to start and finish cooking at pre-set time.**

The clock must be set before you use this feature.

**Example:** The current time is 16:30 and you want to start cooking at 18:15 on 70% power for 10 minutes

- a) Press CLOCK/TIMER, set the time to »18:15« by pressing UP and DOWN buttons.
- b) Press MICRO/GRILL to select 70% power.
- c) Set cooking time to 10 minutes.
- d) Press START/RESET

**NOTE:** If you do not set the power and cooking time and directly press the start button once you have programmed the time, the appliance will only work as a clock. At 18:15 there will be 10 beeps and the appliance will switch off.

---

## 9. CHILD LOCK

**This function is used to prevent unsupervised operation of the oven by little children. The CHILD LOCK indicator will show up on display screen, and the oven can not be operated while the CHILD LOCK is set.**

To set the CHILD LOCK: In standby mode of the oven, press button START | PAUSE and hold the button for 3 seconds, a beep sounds and lock indicator lights.

To cancel the CHILD LOCK: Press and hold the button START | PAUSE for 3 seconds until lock indicator on display turns off.



---

## 10. START/RESET

- a) In the course of operation, pressing START/RESET button will stop operation.
- b) If any program was set before pressing start, pressing this button will cancel any set program.

---

## 11. ECO MODE - POWER SAVING

Press the  and  keys simultaneously. The display will turn off and the microwave is in Eco mode which minimizes power usage.

To cancel the Eco mode and turn on the display again, press any other button or open or close the door.

## CARE OF YOUR MICROWAVE OVEN

1. Turn the oven off and remove the power plug from the wall socket before cleaning.
2. Keep the inside of the oven clean. When food splatters of spilled liquids adhere to oven walls, wipe with a damp cloth. The use of harsh detergent or abrasives is not recommended.
3. The outside oven surface should be cleaned with a damp cloth. To prevent damage to the operating parts inside the oven, water should not be allowed to seep into the ventilation openings.
4. Do not allow the Control Panel to become wet. Clean with a soft, damp cloth. Do not use detergents, abrasives or spray-on cleaners on the control Panel.
5. If steam accumulates inside or around the outside of the oven door, wipe with a soft cloth. This may occur when the microwave oven is operated under high humidity conditions and in no way indicates malfunction of the unit.
6. It is occasionally necessary to remove the glass tray for cleaning. Wash the tray in warm sudsy water or in a dishwasher.
7. The roller ring and oven cavity floor should be cleaned regularly to avoid excessive noise. Simply wipe the bottom surface of the oven with mild detergent, water or window cleaner and dry. The roller ring may be washed in mild sudsy water or dishwasher. Cooking vapours collect during repeated use but in no way affect the bottom surface or roller ring wheels. When removing the roller ring from cavity floor for cleaning, be sure to replace it in the proper position.
8. Remove odors from your oven by combining a cup of water with the juice and skin of one lemon in a deep microwavable bowl. Microwave for 5 minutes, wipe thoroughly and dry with a soft cloth.

### ENVIRONMENT

Do not throw away the appliance with the normal household waste at the end of its life, but hand it in at an official collection point for recycling. By doing this, you help to preserve the environment.



# MOUNTING THE MICROWAVE OVEN

## INSTALLATION

1. Make sure all the packing materials are removed from the inside of the door.
2. Inspect the oven after unpacking for any visual damage such as:
  - Misaligned Door
  - Damaged Door
  - Dents or Holes in Door Window and Screen
  - Dents in CavityIf any of the above are visible, DO NOT use the oven.
3. This Microwave Oven weighs 14,5 kg and must be placed on a horizontal surface strong enough to support this weight.
4. The oven must be placed away from high temperature and steam.
5. DO NOT place anything on top of the oven.
6. Keep the oven at least 20 cm away from both sidewalls and 30 cm away from rear wall to ensure the correct ventilation. Microwave oven should not be placed in a cabinet.
7. DO NOT remove the turn -table drive shaft.
8. As with any appliance, close supervision is necessary when used by children.
9. Make sure that the AC outlet is easily accessible so that the plug can be removed quickly in an emergency. Otherwise, it should be possible to disconnect the device using a switch from the circuit. In this case, the existing provisions of the electrical safety standards are considered.

The product has to be correctly installed on earthed socket with a single-phase AC (230 V/50 Hz).  
**WARNING! THIS APPLIANCE MUST BE EARTHED!**
10. This oven requires 1.4 KVA for its input consultation with service engineer is suggested when installing the oven.

**CAUTION: This oven is protected internally by a 250V, 10 Amp Fuse.**

## SPECIFICATIONS

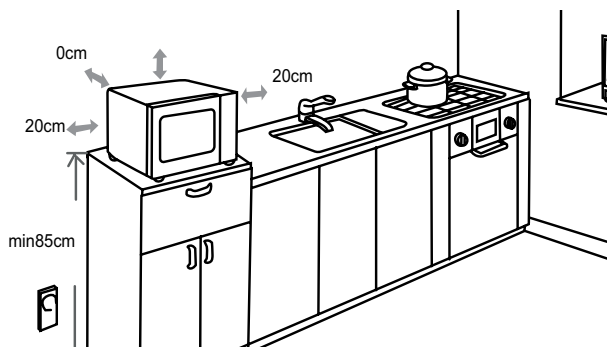
Power consumption.....	220-240V-50Hz, 1400W
Output power.....	900W
Grill heater.....	1200W
Operating Frequency.....	2450MHz
Outside Dimensions....	510mm(W) x 303mm(H) x 425mm(D)
Oven Capacity.....	23 litres
Uncrated Weight.....	Approx. 14,5 kg
Noise level.....	Lc < 58 dB (A)



**This appliance is marked according to the European directive 2012/19/EU on Waste Electrical and Electronic Equipment (WEEE).**

**This guideline is the frame of a European-wide validity of return and recycling on Waste Electrical and Electronic Equipment.**

## MOUNTING DIMENSIONS



## RADIO INTERFERENCE

Microwave oven may cause interference to your radio, TV, or similar equipment. When interference occurs, it may be eliminated or reduced by the following procedures.

- Clean the door and sealing surface of the oven.
- Place the radio, TV, etc. as far away from your microwave oven as possible.
- Use a properly installed antenna for your radio, TV, etc. to get a strong signal reception.

WE RESERVE THE RIGHT TO MAKE ANY CHANGES THAT DO NOT AFFECT THE FUNCTIONALITY OF THE APPLIANCE.

## BEFORE YOU CALL FOR SERVICE

1. If the oven will not perform at all, the information on the display does not appear or the display disappeared:
  - a) Check to ensure that the oven is plugged in securely. If it is not, remove the plug from the outlet, wait 10 seconds and plug it in again securely.
  - b) Check the premises for a blown circuit fuse or a tripped main circuit breaker. If these seem to be operating properly, test the outlet with another appliance.
2. If the microwave power will not function:
  - a) Check to see whether the timer is set.
  - b) Check to make sure that the door is securely closed to engage the safety interlocks. Otherwise, the microwave energy will not flow into the oven.  
**If none of the above rectify the situation, then contact the nearest authorized service agent.**

**The appliance for household use for heating food and beverages using electromagnetic energy, for indoor use only.**

## GUARANTEE & SERVICE

If you need information or if you have a problem, please contact the Gorenje Customer Care Centre in your country (you find its phone number in the worldwide guarantee leaflet). If there is no Customer Care Centre in your country, go to your local Gorenje dealer or contact the Service department of Gorenje domestic appliances.

Eventual mismatches in colour shades between different appliances or components within a single design line may occur due to various factors, such as different angles under which the appliances are observed, different coloured backgrounds, materials, and room illumination.

### **For personal use only!**

Additional recommendations for cooking with microwave and useful advices can be found on web side:

<http://www.gorenje.com>

**WISHES YOU A LOT OF PLEASURE WHILE USING  
YOUR APPLIANCE**

# **gorenje**

We reserve the right to any changes and errors in the instructions for use.

---

## SEHR GEEHRTER KUNDE

Das Mikrowellengerät ist für die Verwendung im Haushalt bestimmt.

Zum Verpacken unserer Produkte werden umweltfreundliche Materialien verwendet, die ohne Gefahr für die Umwelt wiederverwertet (recycelt), entsorgt oder vernichtet werden können.

Hierzu sind die Verpackungsmaterialien entsprechend gekennzeichnet.



Das Gerät ist ausschließlich zum Gebrauch im Haushalt bestimmt und zwar zum Erhitzen von Speisen und Getränken mit elektromagnetischer Energie. Verwenden Sie das Gerät nur in trockenen Räumen.

---

## BEDIENUNGS- ANLEITUNG

Lesen sie bitte die gebrauchsanleitung sorgfältig durch und bewahren sie diese zum späteren nachschlagen auf.

Die Bedienungsanleitung ist für den Benutzer bestimmt. Sie beschreibt das Gerät und seine Bedienung. Sie gilt für verschiedene Gerätetypen, deswegen kann sie auch Beschreibungen von Funktionen beinhalten, die Ihr Gerät nicht besitzt.

## WICHTIGE SICHERHEITSHINWEISE



Berühren Sie niemals die Oberflächen von Heiz- oder Kochgeräte. Sie werden während des Betriebs heiß. Halten Sie Kinder in einem sicheren Abstand. Es kann die Gefahr von Leckstrahlung!



Mikrowellenenergie & Hochspannung!  
Entfernen Sie keine Abdeckung!

**WARNUNG!** Das Gerät und seine zugänglichen Teile werden im Betrieb heiß. Kontakt mit den Heizelementen sollte unbedingt vermieden werden.

Dieses Gerät kann von Kindern ab 8 Jahren sowie von Personen mit eingeschränkten körperlichen, sensorischen oder geistigen Fähigkeiten bzw. mit mangelnder Erfahrung verwendet werden, wenn sie unter Aufsicht stehen oder in die sichere Benutzung eingewiesen wurden und die damit verbundenen Gefahren verstehen. Kinder sind zu beaufsichtigen und sollten nicht mit dem Gerät spielen. Die Reinigung und Benutzerwartung darf nicht von Kindern ausgeführt werden, es sei denn, sie sind über 8 Jahre alt und stehen dabei unter Aufsicht.

- **HINWEIS:** Wenn das Gerät in der Betriebsart Kombi arbeitet, dürfen Kinder das Gerät wegen der sehr hohen Temperaturen nur unter sorgfältiger Aufsicht erwachsener Personen gebrauchen (gilt nur für Geräte mit Grillfunktion).
- **HINWEIS:** Bei Beschädigung der Gerätetür oder der Türdichtungen darf das Mikrowellengerät so lange nicht benutzt werden, bis es von einem autorisierten Kundendienstfachmann instandgesetzt worden ist.
- **HINWEIS:** Jegliche Reparatur oder Kundendienstarbeiten, bei welchen die Abdeckung des

Geräts entfernt werden muß und die von nicht autorisierten Personen durchgeführt werden, ist gefährlich und riskant.

- **HINWEIS:** Keine Flüssigkeiten oder Nahrungsmittel in dicht verschlossenen Gefäßen oder Verpackungen erhitzen, da diese bersten können.
- Die Gerätefüße nicht entfernen und die Lüftungsöffnungen nicht bedecken.
- Verwenden Sie ausschließlich mikrowellentaugliches Geschirr und Zubehör.
- Beim Erhitzen von Speisen in Kunststoff- oder Papierverpackung bzw.
- Behältern, den Vorgang wegen Brandgefahr beaufsichtigen.
- Bei Auftreten von Rauch den Mikrowellenherd sofort abschalten, das Gerät vom elektrischen Versorgungsnetz trennen und die Gerätetür geschlossen lassen, um eventuelle Flammen zu ersticken.
- Wenn Sie im Mikrowellengerät Getränke erhitzen, kann das Getränk nach einer gewissen Zeit sieden und überlaufen, deswegen immer besonders vorsichtig verfahren.
- Um Verbrühungen zu vermeiden, vor dem Verzehr den Inhalt von Babyfläschchen oder Babynahrung umrühren oder durchschütteln und die Temperatur des Inhalts überprüfen.
- Im Mikrowellenherd keine rohen oder gekochten Eier in Schale erhitzen, da diese bersten können, auch nachdem das Erhitzen im Mikrowellengerät schon beendet ist.
- Verwenden Sie zum Reinigen der Gerätetür, der Dichtungen und des Garraumes nur milde (keine abra-

siven) Reinigungsmittel und tragen Sie diese mit einem Schwamm oder einem weichen Tuch auf.

- Reinigen Sie den Mikrowellenherd und entfernen Sie etwaige Speisereste regelmäßig.
- Wenn Sie das Mikrowellengerät nicht regelmäßig reinigen und instandhalten, kann es zum Verschleiß der Oberflächen kommen, was sich negativ auf die Lebensdauer des Geräts auswirkt und die Risiken beim Gebrauch erhöht.
- Wenn das Anschlußkabel beschädigt ist, darf dieses nur vom Hersteller, einem autorisierten Kundendienstfachmann oder einem anderen, entsprechend qualifizierten Fachmann ausgetauscht werden, um Gefahren zu vermeiden.
- Darauf achten, dass die Netzsteckdose leicht erreichbar ist, damit der Stecker im Notfall schnell abgezogen werden kann. Andernfalls muss, das Gerät mithilfe eines Schalters vom Stromkreis zu trennen sein. Dabei sollten die geltenden Bestimmungen der elektrischen Sicherheitsnormen berücksichtigt werden.
- Auf keinen Fall versuchen, die Garraumlampe selbst auszuwechseln, sondern nur von einem autorisierten Kundendienst auswechseln lassen!
- Wenn die Garraumlampe ausfallen sollte, wenden Sie sich bitte an Ihren Elektrohändler oder an den GORENJE Werkskundendienst.
- **VORSICHT:** Zur Reinigung dürfen keinesfalls kommerzielle Ofenreiniger, Dampfreiniger, Scheuermittel, scharfe Reinigungsmittel, natriumhydroxid enthaltende Reinigungsmittel oder Scheuerschwämme verwendet werden. Dies gilt für alle Teile des Gerätes. Säubern sie die Mikrowelle in regelmäßigen abständen.



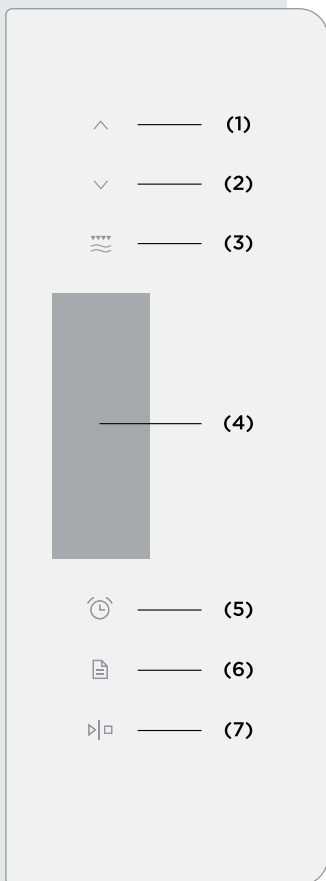
## ALLGEMEINE SICHERHEITSHINWEISE

Im nachfolgenden Text sind einige Regeln und Sicherheitsmaßnahmen aufgeführt, die ähnlich wie beim Gebrauch anderer elektrischer Geräte, eingehalten werden müssen, damit eine sichere und effiziente Funktion des Geräts gewährleistet wird:

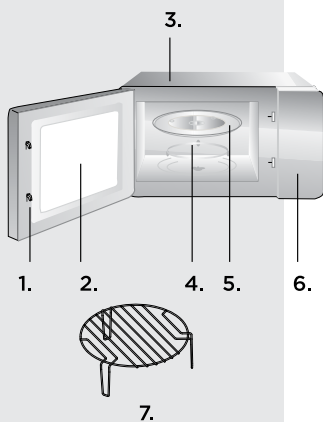
1. Sorgen Sie dafür, dass während des Betriebs des Mikrowellenherdes der Glasunterteller, die verbindungsstück und der Rollenring auf ihren Plätzen sind.
2. Verwenden Sie den Mikrowellenherd nur zum Zubereiten von Speisen und nicht zum Trocknen von Kleiderstücken, Papier oder anderen Gegenständen und auch nicht zum Sterilisieren.
3. Schalten Sie den Mikrowellenherd niemals ein, wenn der Garraum leer ist, da dadurch das Gerät beschädigt werden kann.
4. Bewahren Sie im Garraum keine Gegenstände auf, insbesondere keine Zeitschriften, Kochbücher, u.ä.
5. Garen Sie keine Lebensmittel, die mit einer Membran umgeben sind, wie z.B.: Eigelb, Kartoffeln, Hühnerleber, u.ä., ohne vorher die Membran an mehreren Stellen mit einer Gabel durchgestochen zu haben.
6. Stecken Sie keine Gegenstände in die Öffnungen an den Außenseiten des Mikrowellengeräts hinein.
7. Entfernen Sie niemals Geräteteile, z.B. Gerätefüße, Verriegelung, Schrauben, u.ä.
8. Garen Sie keine Speisen direkt auf dem Drehteller. Bevor Sie das Gargut in den Garraum stellen, legen Sie es in einen entsprechenden Behälter.  
**WICHTIG:** Küchenzubehör, welches im Mikrowellenherd nicht verwendet werden darf:
  - Metallpfannen oder Kochtöpfe mit Metallgriffen, - Gefäße mit Metallrand,
  - Geschirr aus Melamin, da es Stoffe enthält, welche die Mikrowellenenergie absorbieren. Das kann zum Springen oder Verbrennen des Geschirrs führen, außerdem wird der Erhitzungs-/Garvorgang verlangsamt.
  - Verwenden Sie kein Geschirr ohne mikrowelleneignete Beschichtung. Verwenden Sie ebenso keine geschlossenen Tassen mit Griffen.
  - Bereiten Sie keine Speisen bzw. Getränke in Gefäßen mit verengter Öffnung (wie z.B. Flaschen) zu, da diese während des Erhitzungsvorgangs bersten kann.
  - Verwenden Sie im Mikrowellenherd keine handelsüblichen Thermometer für Fleisch oder Süßspeisen. Sie dürfen nur Thermometer verwenden, die zum Gebrauch im Mikrowellenherd geeignet sind.
9. Verwenden Sie Zubehör für den Mikrowellenherd nur unter Beachtung der Gebrauchsanweisung des Herstellers.
10. Verwenden Sie den Mikrowellenherd niemals zum Frittieren.

11. Beachten Sie, dass im Mikrowellenherd nur die Flüssigkeit im Gefäß erhitzt wird und nicht das Gefäß selbst. Deswegen ist es möglich, dass die Flüssigkeit nach Entfernung des Deckels im Gefäß Dampf abgibt oder aus diesem Tropfen spritzen, obwohl der Deckel selbst nicht heiß ist.
12. Überprüfen Sie vor dem Verzehr immer die Temperatur der Speise, insbesondere, wenn diese für Kinder bestimmt ist. Wir empfehlen Ihnen, Speisen/Getränke niemals unmittelbar nach dem Herausnehmen aus dem Mikrowellenherd zu verzehren, sondern ein paar Minuten abzuwarten und die Speise/das Getränk umzurühren, damit sich die Hitze gleichmäßig verteilen kann.
13. Lassen Sie Speisen, die Fett und Wasser enthalten, z.B. Suppe, nach dem Abschalten des Mikrowellenherdes ungefähr noch 30 bis 60 Sekunden im Garraum stehen. Dadurch kann sich die Speise stabilisieren und es wird Siedeverzug verhindert, wenn Sie in die Flüssigkeit einen Löffel stellen oder einen Suppenwürfel hinzufügen.
14. Beachten Sie, dass sich einige Speisen, z.B. Weihnachtspudding, Marmelade oder Hackfleisch, sehr schnell erhitzen. Verwenden Sie zum Erhitzen oder Garen von Speisen mit hohem Fett- oder Zuckergehalt keine Kunststoffgefäße.
15. Zubehör, das Sie zur Zubereitung von Speisen im Mikrowellenherd benutzen, kann sich sehr stark erhitzen, da die Speise Wärme abgibt. Das gilt besonders für Gefäße, die mit einem Kunststoffdeckel zugedeckt sind und für Handgriffe aus Kunststoff. Verwenden Sie zum Herausnehmen der Gefäße wärmeisolierende Küchenhandschuhe.
16. Um die Brandgefahr im Garraum zu verringern:
  - a) die Speise nicht übermäßig lang garen. Kontrollieren Sie sorgfältig den Erhitzungsvorgang, wenn sich im Garraum Papier-, Kunststoffbehälter oder andere leicht entzündliche bzw. brennbare Materialien befinden.
  - b) Bevor Sie Tüten in den Garraum stellen, zuerst die Drahtklammern (Blitzbinder) entfernen.
  - c) Wenn sich ein Gegenstand im Garraum entzündet, lassen Sie die Gerätetür geschlossen, trennen Sie das Gerät vom elektrischen Versorgungsnetz und schalten Sie die Hauptsicherung in ihrem Sicherungskasten ab.
17. Das Gerät ist zum Gebrauch im Haushalt und in ähnlichen Umgebungen bestimmt wie z.B.:
  - in Teeküchen in Verkaufsläden, Büros und anderen Arbeitsumfeldern,
  - auf Familienbauernhöfen,
  - in Unterkünften in Hotels, Motels und ähnlichen Unterkünften,
  - in Objekten, die Übernachtung mit Frühstück bieten.

# BEDIENFELD



1. Auf (+)
2. Ab (-)
3. Auswahl der Betriebsart - Micro/Grill
4. Display
5. Uhr und Zeitschaltuhr - Clock/Timer
6. Auto-Menu
7. Start/Reset



1. Sicherheits-Türverriegelung
2. Sichtfenster
3. Belüftungsschlitze oder Belüftungsventilator
4. Rollenring:
5. Glasunterteller
6. Bedienfeld
7. Grillrost

## 1. QUICK START

Diese Funktion wird zum schnellen Erhitzen (Mikrowellen 100%) bzw. Garen verwendet. Wenn der Mikrowellenherd im Stand-By Zustand ist, drücken Sie die START-Taste und ein 60 Sekunden langer Betrieb wird gestartet.

**Beispiel:** Erhitzen von einem Glas Milch

- a) Stellen Sie das Glas mit der Milch auf den Glasunterteller und schließen Sie die Gerätetür.
- b) Drücken Sie die Taste START/RESET und der Mikrowellenherd arbeitet 1 Minute lang mit 100%-iger Leistung.
- c) Nach Ablauf der eingestellten Garzeit ertönt ein 5-faches akustisches Signal.

## 2. ERHITZEN MIT MIKROWELLEN

**Diese Funktion verfügt über zwei Möglichkeiten:**

**a) Schnelles Erhitzen mit Mikrowellen (100% Leistung)**

**Beispiel:** Garen mit 100% Leistung, 5 Minuten

1. Stellen Sie die Zeit auf „5:00“.
2. Drücken Sie die START/RESET.

**b) Erhitzen mit Mikrowellen – mit manueller Abschaltung**

**Beispiel:** Aufwarmen von Speisen mit der Leistungsstufe 70%, 10 Minuten lang

1. Drücken Sie die Taste MICRO/GRILL wählen Sie eine 70% Leistungsstufe.
2. Stellen Sie die Zeit auf „10:00“ ein.
3. Drücken Sie die START/RESET.

**Sie können 5 Leistungsstufen einstellen, die längste Betriebsdauer ist 60 Minuten.**

Anzahl der Tastenbetätigungen "MICRO/GRILL"	Leistung der Mikrowellen	Text auf dem Display
1	100%	P100
2	70%	P70
3	50%	P50
4	30%	P30
5	10%	P10

---

### 3. AUTOMATISCHES AUFTAUEN

**Der Mikrowellenherd ermöglicht das automatische Auftauen von Fleisch, Geflügel und Meeresfrüchten. Die Auftauzeit und die Leistungsstufe werden automatisch an das voreingestellte Gewicht angepasst. Sie können Gefriergut mit einem Gewicht zwischen 100 g und 2.000 g automatisch auftauen.**

**Beispiel:** Auftauen von 0,5 kg gefrorenem Fleisch

- a) Wählen Sie „DEF“ durch Drücken auf die Taste MICRO/GRILL.
- b) Tragen Sie die Masse durch Drücken auf die Tasten AUF und AB ein.
- c) Drücken Sie die START/RESET - Taste.

---

### 4. GRILL

**Die Grillfunktion ist besonders gut zur Zubereitung von dünnen Fleischstücken, Schnitzeln, Koteletts, Spiesen, Würsten oder Hähnchen geeignet. Die Grillfunktion ist auch zur Zubereitung von warmen Sandwiches und gratinierten Speisen geeignet.**

Diese Funktion verfügt über zwei Möglichkeiten; wählen Sie die gewünschte Funktion durch Drücken der Taste MICRO/GRILL (die max. Garzeit beträgt 60 Minuten).

**Möglichkeit 1:** 85% Grill-Leistung, auf dem Display erscheint G-1

**Möglichkeit 2:** 50% Grill-Leistung, auf dem Display erscheint G-2

**Beispiel:** Zubereitung von Fleisch mit dem Grill, 20 Minuten

- a) Drücken Sie die Taste MICRO/GRILL, auf dem Display erscheint G-1.
- b) Stellen Sie die Grillzeit auf „20:00“ ein.
- c) Drücken Sie die START/RESET -Taste.

**HINWEIS:** Wenn Sie Fleisch mit dem Grill zubereiten, wird nicht mit Mikrowellen gegrillt, sondern mit dem Grillheizkörper an der Decke des Garraums. Wenn der Grill in Betrieb ist, ist das Garen (bzw. Braten) auf zwei Stufen möglich; nach Ablauf der ersten Hälfte der Grillzeit schaltet das Programm automatisch ab, zwei akustische Signale weisen darauf hin, daß das Grillgut gewendet werden muß. Schließen Sie nach dem Wenden des Grillgutes die Gerätetür und drücken Sie die START/RESET -Taste, das Programm wird fortgesetzt. Wenn Sie das Grillgut nicht wenden möchten, fährt das Programm nach einer Minute automatisch mit dem Grillvorgang fort.

## 5. KOMBINIERTER BETRIEBSART

### Der Mikrowellenherd ermöglicht zwei Arten kombinierter Zubereitung von Speisen.

**Möglichkeit 1:** Der Mikrowellenherd arbeitet 55% der Zeit im Mikrowellenbetrieb und 45% der Zeit im Grillbetrieb. Diese Betriebsart ist zur Zubereitung von Fisch oder gratinierten Speisen geeignet. Auf dem Display erscheint „C-1“.

**Möglichkeit 2:** Der Mikrowellenherd arbeitet 30% der Zeit im Mikrowellenbetrieb und 70% der Zeit im Grillbetrieb. Diese Betriebsart ist zur Zubereitung von Pudding, Aufläufen, Omeletten, Bratkartoffeln und Geflügel geeignet. Auf dem Display erscheint „C-2“.

**Beispiel:** Zubereitung von Speisen mit der Möglichkeit 2, 15 Minuten

- Drücken Sie die Taste MICRO/GRILL, auf dem Display erscheint „C-1“.
- Stellen Sie die Garzeit auf „15:00“ ein.
- Drücken Sie die START/RESET-Taste.

## 6. AUTO-MENU

**Zum Auftauen von gefrorenen Lebensmitteln mit dem Auto-Menu, müssen Sie nur die Art und die Masse des Gefrierguts einstellen. Der Mikrowellenherd schlägt Ihnen die geeignete Leistungsstufe und Auftauzeit vor.**

**Beispiel:** Automatisches Garen von 0,4 kg Fisch

- Drücken Sie die Taste AUTO MENU so oft, bis auf dem Display „A-5“ erscheint.
- Gewicht durch Drücken der Tasten AUF und AB eingeben, bis auf dem Display der Wert „0,4“ erscheint.
- Drücken Sie die START/RESET-Taste.

Menü	Masse/ Einheit	Leistungsstufen	
A-1 Reis	100 - 500g	16 - 23min	80%
A-2 Gemüse	100 - 600g	2 - 7min 30sec	100%
A-3 Nudeln	1 - 2	4min 30sec - 7min 40sec	100%
A-4 Fleisch	200 - 1000g	7 - 19min	80%
A-5 Fisch	200 - 1000g	4 - 12min	80%

Menü	Masse/ Einheit	Leistungsstufen	
A-6 Hühnchen	200 - 1000g	14min 30sec - 34min	55%
A-7 Flüssigkeit	2 - 10dl	2 - 5min	100%
A-8 Popcorn	100g	3min 30sec	100%

## 7. UHR

**Der Mikrowellenherd ist mit einer Digitaluhr ausgerüstet. Wenn das Gerät im Stand-By Zustand ist, können Sie durch Drücken der Taste UHR die Zeit im 24-Stunden-Zyklus einstellen.**

**Beispiel:** Zeit auf 8:30 einstellen

1. Drücken Sie die Taste „Clock/Timer“. Der Text auf dem Display beginnt zu blinken. Stellen Sie die Uhr mit den Tasten AUF und AB ein.
2. Drücken Sie erneut die Taste „Clock/Timer“ und stellen Sie die Minuten mit den Tasten AUF und AB ein.
3. Drücken Sie erneut die Taste „Clock/Timer“ und die neue Zeit ist eingestellt.
4. Wenn Sie die Zeiteinstellung ändern möchten, wiederholen Sie den oben beschriebenen Vorgang.

## 8. ZEITSCHALTUHR

**Die Zeitschaltuhr ermöglicht Ihnen, den Anfang und das Ende des Garvorgangs einzustellen.**

Bevor Sie diese Funktion nutzen, muß die Uhr des Mikrowellenherdes auf die aktuelle Zeit eingestellt sein.

**Beispiel:** Die augenblickliche Zeit ist 16:30; Sie möchten den Garvorgang um 18:15 einleiten und zwar mit 70% Leistungsstufe, Garzeit 10 Minuten

- a) Drücken Sie die Taste „Clock/Timer“ und stellen Sie mit den Tasten AUF und AB die Zeit auf 18:15 ein.
- b) Wählen Sie die Leistungsstufe 70% durch Drücken auf die Taste MICRO/GRILL.
- c) Stellen Sie die Garzeit auf 10 Minuten ein.
- d) Drücken Sie die START/RESET -Taste.

**HINWEIS:** Wenn Sie die Leistungsstufe und die Garzeit nicht einstellen und unmittelbar nach Einstellung der Startzeit die Taste START/RESET betätigen, wird der Mikrowellenherd nur als Kurzzeitmesser funktionieren. Um 18:15 ertönen 10 akustische Signale und das Gerät schaltet sich ab.

---

## 9. KINDERSICHERUNG

**Verwenden Sie diese Funktion, um die unbeaufsichtigte Benutzung des Mikrowellenherdes von Kindern zu verhindern. Auf dem Display erscheint das Symbol der Kindersperre, der Mikrowellenherd lässt sich nicht programmieren bzw. einschalten, solange die Funktion aktiv ist.**

Einstellung der Kindersperre: Wenn das Gerät im Bereitschaftszustand ist, drücken Sie die Taste START | STOP und halten Sie diese 3 Sekunden lang gedrückt.

Es ertönt ein akustisches Signal, auf dem Display erscheint das Symbol der Kindersperre. Desaktivierung der

Kindersperre: Drücken Sie die Taste START | STOP und halten Sie diese 3 Sekunden lang gedrückt bzw. bis das Symbol der Kindersperre vom Display verschwindet.

---

## 10. START / RESET

- a) Wenn Sie während des Betriebs des Geräts die Taste START/RESET drücken, wird der Betrieb des Mikrowellenherdes unterbrochen.
- b) Wenn Sie vorher den zeitprogrammierten Betrieb eingestellt haben, wird dieser bei Drücken der Taste START/RESET widerrufen.

---

## 11. ECO MODUS - ENERGIESPARMODUS

Drücken Sie gleichzeitig die Tasten  $\wedge$  und  $\vee$  um das Display auszuschalten und das Gerät in den Sparmodus umzuschalten.

Um das Display wieder einzuschalten, drücken Sie eine beliebige Taste oder öffnen bzw. schließen Sie die Gerätetür.



1. Bevor Sie mit der Reinigung des Mikrowellenherdes beginnen, trennen Sie das Gerät vom elektrischen Versorgungsnetz.
2. Der Garraum sollte immer sauber gehalten werden. Wischen Sie getrocknete Speisereste, herausgespritzte oder verschüttete Flüssigkeiten mit einem feuchten Tuch von den Innenwänden ab. Die Verwendung von groben Reinigungs- oder abrasiven Scheuermitteln ist nicht empfehlenswert.
3. Wischen Sie die Außenflächen des Geräts mit einem feuchten Tuch ab. Um Beschädigungen im Garraums des Geräts zu vermeiden, lassen Sie kein Wasser oder andere Flüssigkeiten in das Geräteinnere oder in die Lüftungsöffnungen eindringen.
4. Lassen Sie das Bedienfeld nicht naß werden. Reinigen Sie das Bedienfeld mit einem weichen und feuchten Tuch. Verwenden Sie zum Reinigen des Bedienfeldes keine groben (abrasiven) Reinigungsmittel oder Reinigungsmittel in Spraydosen.
5. Bei Niederschlag von Wasserdampf an der Innen- bzw. Außenseite der Gerätetür, wischen Sie diese mit einem weichen Tuch ab. Diese Erscheinung ist möglich, wenn der Mikrowellenherd in einer sehr feuchten Umgebung betrieben wird und bedeutet nicht, dass das Gerät eine Betriebsstörung hat.
6. Von Zeit zu Zeit ist es notwendig, den Glasunterteller herauszunehmen und zu reinigen. Reinigen Sie den Drehteller in warmem Wasser mit etwas Geschirrspülmittel oder in der Geschirrspülmaschine.
7. Der Rollenring und der Geräteboden des Garraums müssen regelmäßig gereinigt werden, um Lärmentwicklung während des Betriebs zu vermeiden. Wischen Sie den Geräteboden im Garraum einfach mit einem milden Spülmittel, Wasser oder einem Glasreiniger ab und reiben Sie dann alles mit einem sauberen und trockenen Tuch trocken. Sie können den Rollenring in warmem Wasser mit etwas Spülmittel oder in der Geschirrspülmaschine reinigen. Nach längerer Benutzung können sich auf den Rädern des Rollenringes Dämpfe von Speisen ansammeln, was ihre Funktion jedoch nicht beeinflusst. Wenn Sie den Rollenring aus der Vertiefung im Garraum entfernt haben, passen Sie auf, dass Sie diesen später richtig einsetzen.

8. Eventuelle unangenehme Gerüche im Garraum können Sie entfernen, indem Sie ein hohes mikrowellengeeignetes Gefäß mit Zitronensaft und Zitronenschalen in das Geräteinnere hineinstellen. Stellen Sie das Gefäß für 5 Minuten in den Garraum und schalten Sie das Gerät ein. Wischen Sie nach Beendigung der eingestellten Zeit den Garraum mit einem weichen Tuch ab und reiben Sie ihn trocken.

---

## UMWELTSCHUTZ

Werfen Sie das Gerät am Ende der Lebensdauer nicht in den normalen Hausmüll. Bringen Sie es zum Recycling zu einer offiziellen Sammelstelle. Auf diese Weise helfen Sie, die Umwelt zu schonen.

# MONTAGE DER MIKROWELLENGERÄT

## AUFSTELLUNG

1. Überprüfen Sie, ob das komplette Verpackungsmaterial aus dem Geräteinneren entfernt wurde.
2. Überprüfen Sie beim Entfernen der Verpackung, ob es am Mikrowellengerät zu sichtbaren Beschädigungen gekommen ist, wie z.B.:
  - schief hängende Gerätetür,
  - beschädigte Gerätetür,
  - Dellen oder Löcher im Glas (Sichtfenster), an der Gerätetür oder am Display,
  - Dellen im Geräteinneren.Wenn Sie irgendeinen der oben genannten Schäden bemerken, dürfen Sie den Mikrowellenherd nicht benutzen.
3. Der Mikrowellenherd wiegt 14,5 kg; stellen Sie ihn auf eine waagrechte Unterlage, die genügend stabil ist, um sein Gewicht auszuhalten.
4. Den Mikrowellenherd in ausreichender Entfernung von Wärmequellen und Wasserdampf aufstellen.
5. Keine Gegenstände auf dem Mikrowellenherd aufbewahren.
6. Um eine ausreichende Belüftung zu gewährleisten, sollte an den Seiten des Mikrowellenherdes mindestens 20 cm und über dem Gerät 30cm freier Raum zur Verfügung stehen. Die Mikrowelle darf nicht in einem Schrank platziert werden.
7. Die Antriebswelle des Drehgestells NICHT entfernen.
8. Kinder dürfen den Mikrowellenherd nur unter Aufsicht Erwachsener benutzen.
9. Die Steckdose, an welche der Mikrowellenherd angeschlossen ist, muß leicht zugänglich sein. Das Gerät an einer korrekt installierten geerdeten Steckdose mit einem einphasigen Wechselstromanschluss (230 V/50 Hz) verbinden.  
**WARNUNG! DIESES GERÄT MUSS GEERDET SEIN!** Bei Nichteinhaltung lehnt der Hersteller jegliche Haftung ab.
10. Der Mikrowellenherd benötigt 1,4 kVA Eingangsleistung. Wir empfehlen Ihnen, sich über die Aufstellung des Mikrowellenherdes mit einem Kundendienst-Fachmann oder einem entsprechendem anderen Fachmann zu beraten.

**ACHTUNG: Der Mikrowellenherd verfügt über eine eigene Schutzeinrichtung und zwar über eine Sicherung 250V, 10A.**

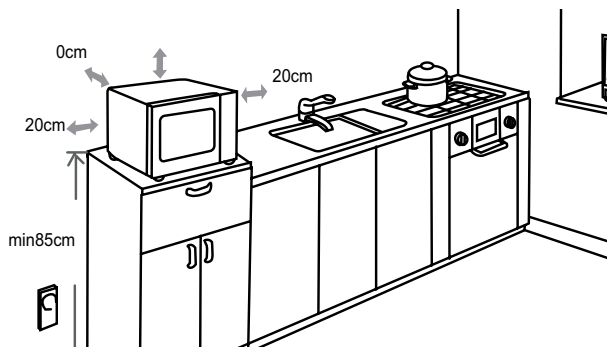
## TECHNISCHE DATEN

Stromaufnahme .....	220-240V-50Hz, 1400W
Ausgangsleistung.....	900W
Grillheizkörper.....	1200W
Betriebsfrequenz.....	2450MHz
Außenmaße .....	510mm(B) x 303mm(H) x 425mm(T)
Volumen .....	23 l
Masse ohne Verpackungsmaterial .....	C.a. 14,5 kg
Schallpegel - niveau .....	Lc < 58 dB (A)



**Dieses Gerät ist entsprechend der europäischen Richtlinie 2012/19/EU über Elektro- und Elektronikaltgeräte (waste electrical and electronic equipment - WEEE) gekennzeichnet. Die Richtlinie gibt den Rahmen für eine EU-weit gültige Rücknahme und Verwertung der Altgeräte vor.**

## EINBAU DES MIKROWELLENGERÄT



## FUNKSTÖRUNGEN (INTERFERENZEN)

Der Mikrowellenherd kann Empfangsstörungen bei Rundfunk-, Fernseh- und anderen Geräten verursachen. Wenn es zu Störungen kommen sollte (Interferenzen), können Sie diese mit folgenden Maßnahmen beseitigen oder vermindern:

- Reinigen Sie die Gerätetür und die Dichtungen am Mikrowellenherd.
- Stellen Sie Ihr Rundfunk- oder Fernsehgerät so weit wie möglich vom Mikrowellenherd auf.
- Verwenden Sie für Ihr Rundfunk- bzw. Fernsehgerät eine entsprechend montierte Antenne, die den bestmöglichen Empfang gewährleistet.

WIR BEHALTEN UNS DAS RECHT ZU ÄNDERUNGEN VOR, DIE AUF DIE FUNKTIONALITÄT DES GERÄTS KEINEN EINFLUSS NEHMEN.

## BEVOR SIE DEN KUNDENDIENST ANRUFEN

1. Wenn der Mikrowellenherd überhaupt nicht funktioniert, wenn auf dem Display kein Text sichtbar sind oder wenn das Display erlischt:
  - a) Überprüfen Sie, ob der Mikrowellenherd fachgerecht an das elektrische Versorgungsnetz angeschlossen ist. Wenn nicht, ziehen Sie den Stecker aus der Steckdose, warten Sie 10 Sekunden und stecken Sie den Stecker wieder in die Steckdose.
  - b) Überprüfen Sie, ob die Sicherung durchgebrannt bzw. ob der Stromkreis an der Hauptsicherung unterbrochen ist. Wenn an den Sicherungen keine Störungen sichtbar sind, testen Sie die Steckdose mit einem anderen elektrischen Gerät.
2. Wenn der Mikrowellenherd nicht heizt, d.h. wenn er keine Mikrowellenenergie abgibt:
  - a) Überprüfen Sie, ob die Zeitschaltuhr richtig eingestellt ist.
  - b) Überprüfen Sie, ob die Gerätetür fest geschlossen und die Sicherheitsverriegelung eingeschnappt ist. Wenn das nicht der Fall ist, wird die Mikrowellenenergie nicht freigesetzt.

Benötigen Sie weitere Informationen oder treten Probleme auf, setzen Sie sich mit einem Gorenje Service-Center in Ihrem Land in Verbindung (Telefonnummer siehe internationale Garantieschrift). Sollte es in Ihrem Land kein Service-Center geben, wenden Sie sich bitte an Ihren Gorenje Händler.

Auf Grund von verschiedenen Faktoren, wie Blickwinkel, Farbhintergrund, Materialien und Raumbelichtung kann es eventuell bei verschiedenen Geräten oder Komponenten innerhalb einer Design-Linie zu abweichenden Farbnuancen kommen.

### **Nur zum eigenen Gebrauch!**

Zusätzliche Informationen bezüglich zum Braten mit Mikrowellen und Grill sowie nützliche Hinweise und Empfehlungen finden Sie auf unserer Homepage:

<http://www.gorenje.de>

**WIR WÜNSCHEN IHNEN VIEL FREUDE MIT IHREM NEUEN MIKROWELLENHERD!**

# **gorenje**

Wir behalten uns das Recht auf eventuelle Änderungen und Fehler in der Gebrauchsanleitung vor..

**CHÈRE CLIENTE**

Nous vous remercions vivement d'avoir acheté un appareil de notre marque et vous félicitons de votre choix.

Pour vous faciliter l'utilisation de votre nouvel appareil, nous avons rédigé une notice détaillée ; elle vous aidera à vous familiariser avec lui. Nous vous recommandons de la lire attentivement avant de mettre votre appareil en service.

Vérifiez d'abord que votre appareil est arrivé en bon état. En cas de dommages dus au transport, veuillez contacter immédiatement votre détaillant. Vous trouverez son numéro de téléphone sur la facture ou le bon de livraison qui vous a été remis lors de l'achat.

Nous vous souhaitons de prendre beaucoup de plaisir à cuisiner avec votre nouvel appareil.



Cet appareil est destiné à un usage domestique pour le réchauffage, la cuisson et la décongélation des aliments et des boissons au moyen d'ondes électromagnétiques. Il ne doit pas être utilisé en plein air.

**NOTICE D'UTILISATION**

Veuillez lire attentivement cette notice et gardez-la à portée de main pour la consulter ultérieurement.

Cette notice est destinée à l'utilisateur. Elle décrit l'appareil et la manière de s'en servir. Ce manuel est rédigé pour différents modèles et il est donc possible qu'il décrive des fonctions dont votre appareil ne dispose pas.

## CONSIGNES DE SÉCURITÉ IMPORTANTES



Ne touchez jamais les éléments chauffants des appareils de cuisson. Ils deviennent chauds pendant le fonctionnement. Tenez les enfants à distance de sécurité. Il existe un risque de brûlure!



Énergie micro-ondes et haute tension ! Ne retirez pas le panneau de protection contre l'exposition aux micro-ondes.

**ATTENTION:** Les enfants à partir de 8 ans et les personnes disposant de capacités physiques, sensorielles ou mentales réduites, ou manquant d'expérience et de connaissances, peuvent utiliser cet appareil sous surveillance, à condition d'avoir reçu des instructions sur la manière de s'en servir en toute sécurité et d'avoir compris les risques auxquels ils s'exposent. Les enfants ne doivent pas jouer avec l'appareil ni procéder sans surveillance à son nettoyage et à son entretien.

L'appareil et ses éléments accessibles deviennent chauds durant l'utilisation. Faites bien attention à ne pas toucher les résistances. Maintenez les enfants de moins de 8 ans à l'écart de l'appareil, sauf si vous les surveillez en permanence.

- **ATTENTION :** lorsque l'appareil fonctionne en mode combiné, les enfants ne devraient s'en servir que sous la surveillance d'un adulte en raison de la température élevée générée par le gril. (Cette consigne s'applique seulement aux modèles disposant de la fonction gril).
- **ATTENTION :** si la porte ou le joint de la porte sont endommagés, n'utilisez pas l'appareil tant qu'il n'a pas été réparé par un technicien compétent.



- **ATTENTION :** il est dangereux pour toute autre personne qu'un technicien de procéder à des réparations impliquant la dépose d'un panneau de protection contre l'exposition aux micro-ondes.
- **ATTENTION :** il ne faut pas chauffer les liquides et autres aliments dans des récipients fermés hermétiquement, car ces derniers risquent d'exploser.
- N'enlevez pas les pieds de l'appareil et n'obstruez pas les fentes d'aération.
- Utilisez exclusivement une batterie de cuisine et des ustensiles compatibles avec un four à micro-ondes.
- Lorsque vous réchauffez des aliments dans des barquettes en plastique ou en papier, gardez un œil sur le four pour pouvoir agir à temps au cas où le récipient s'enflammerait.
- Si vous voyez de la fumée, mettez le four à l'arrêt, débranchez- le et laissez la porte fermée afin d'étouffer les flammes éventuelles.
- Le réchauffage des boissons aux micro-ondes peut entraîner une ébullition différée. Veillez à manipuler les récipients avec précaution.
- Afin d'éviter tout risque de brûlure, agitez les biberons, remuez le contenu des petits pots pour bébés et testez la température avant consommation.
- Ne faites pas cuire d'œufs durs ou à la coque aux micro-ondes, car ils peuvent éclater, même lorsque le temps de cuisson s'est écoulé.
- Lorsque vous nettoyez la porte, le joint de la porte et l'intérieur du four, utilisez exclusivement des détergents légers non abrasifs que vous déposerez sur une éponge ou un chiffon doux.

- Il faut nettoyer le four régulièrement et retirer sans attendre tout résidu alimentaire.
- Le manque d'entretien pourrait conduire à une détérioration des surfaces, ce qui pourrait affecter la durée de vie de l'appareil et entraîner certains risques.
- Si le cordon secteur est endommagé, il faut le faire remplacer – afin d'éviter tout danger – par un technicien du Service Après- Vente ou par un professionnel qualifié.
- Ne nettoyez jamais la table de cuisson avec un appareil à vapeur ou à haute pression : vous vous exposeriez à un risque de choc électrique.
- L'appareil n'est pas prévu pour être commandé par un minuteur externe ou une télécommande séparée.

## CONSIGNES GÉNÉRALES DE SÉCURITÉ

Vous trouverez ci-dessous un certain nombre de règles à suivre, comme pour tous les appareils. Elles vous permettront d'utiliser ce four en toute sécurité et d'obtenir des performances maximales.

1. Lorsque vous vous servez du four, veillez à ce que le plateau tournant, la couronne à roulettes et l'entraîneur soient bien en place.
2. Utilisez le four exclusivement pour la préparation des aliments. N'y séchez pas de linge, du papier, ou autre chose que des produits alimentaires. N'y stérilisez pas les conserves.
3. Ne faites pas fonctionner le four à vide, cela pourrait l'endommager.
4. N'utilisez pas la cavité du four comme espace de rangement pour des papiers, des livres de cuisine, ou autres objets.
5. Ne faites pas cuire d'aliments recouverts d'une membrane ou d'une peau sans l'avoir perforée au préalable avec une fourchette : jaunes d'œufs, foies de volaille, pommes de terre, etc.
6. N'insérez aucun objet dans les orifices de la carrosserie.
7. Ne démontez jamais le four, et ne retirez pas les pieds, l'axe d'entraînement, les vis, etc.
8. Ne posez pas les aliments à cuire directement sur le plateau en verre. Placez-les dans des récipients adéquats avant de les enfourner.

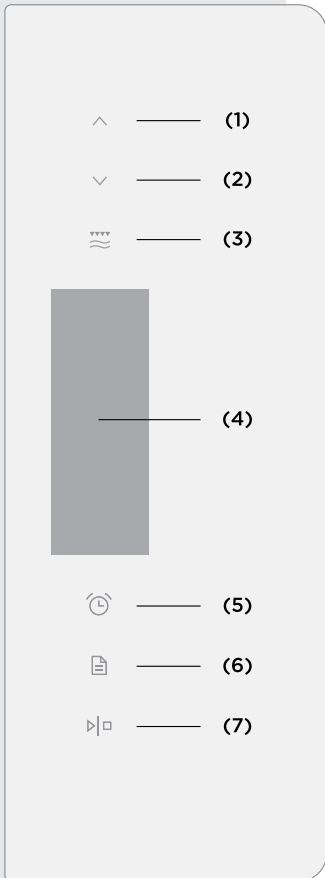
### **IMPORTANT - USTENSILES DE CUISINE À NE PAS UTILISER DANS VOTRE FOUR À MICRO- ONDES :**

- N'utilisez pas de plats en métal ou comportant des poignées en métal.
  - N'utilisez aucun récipient avec garniture en métal.
  - N'utilisez pas d'assiette en mélamine, car cette matière absorbe l'énergie des micro-ondes. Cela ralentirait la cuisson et l'assiette pourrait se fêler ou se carboniser.
  - Ne faites rien chauffer dans des bouteilles à goulot étroit, comme par exemple les bouteilles de boissons gazeuses ou de sauces à salade, car elles pourraient éclater dans le four à micro-ondes.
  - Si vous avez besoin d'utiliser un thermomètre à viande ou à sucre, choisissez-en un qui soit spécialement destiné aux micro-ondes. Ces thermomètres sont disponibles dans le commerce.
9. Utilisez les ustensiles spéciaux pour micro-ondes selon les recommandations du fabricant.
  10. Ne faites pas de fritures dans ce four.
  11. Souvenez-vous que dans un four à micro-ondes, le contenu du récipient chauffe plus vite que le récipient lui-même.

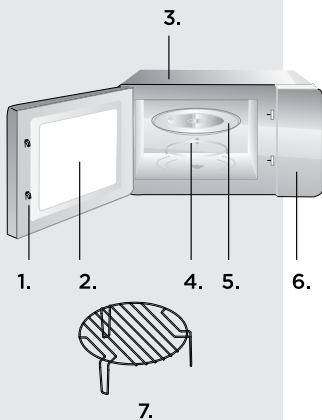
Par conséquent, même si le couvercle ne vous semble pas très chaud au toucher, le liquide ou les aliments qui sont à l'intérieur dégagent la même quantité de vapeur qu'en cuisson conventionnelle ; soyez prudent lorsque vous enlevez le couvercle.

12. Lorsque vous réchauffez un biberon ou des aliments pour bébé, testez vous-même la température avant de nourrir l'enfant. De plus, il est conseillé de ne pas consommer immédiatement les aliments ou les boissons que l'on vient de retirer du four à micro-ondes ; laissez-les reposer quelques minutes et mélangez-les pour répartir la chaleur de façon homogène.
13. Les aliments contenant à la fois de l'eau et de la graisse (par exemple bouillon cube) doivent rester 30 à 60 secondes au four après l'arrêt de l'appareil. Cela permet au mélange de se stabiliser et évite les bouillonnements lorsqu'on y trempe une cuillère ou qu'on y ajoute un bouillon cube.
14. Pour vos préparations liquides et solides, souvenez-vous que certains aliments (par exemple pudding de Noël, confiture, viande hachée) chauffent très vite. Lorsque vous faites cuire ou réchauffer des aliments contenant beaucoup de sucre ou de matière grasse, n'utilisez pas de contenant en plastique.
15. Les récipients peuvent être brûlants en raison de la chaleur transmise par les aliments qui cuisent. Cela est flagrant si vous recouvrez le plat et les poignées avec un film en plastique. N'oubliez pas de mettre des gants de cuisine quand vous manipulez vos récipients.
16. Pour éviter que vos préparations et récipients prennent feu dans le four:
  - a) ne prolongez pas inutilement la cuisson. Surveillez le four tant que des matières inflammables (papier, plastique) sont à l'intérieur ;
  - b) avant d'enfourner des aliments sous sachets en plastique, retirez les liens qui les ferment si ces derniers comportent des fils métalliques.
  - c) Si le feu se déclare à l'intérieur du four, laissez la porte fermée, débranchez l'appareil ou mettez-le hors tension en désarmant le disjoncteur ou en enlevant le fusible sur le tableau électrique.
17. Cet appareil est destiné à un usage domestique et aux applications similaires telles que :
  - les cuisines réservées au personnel des magasins, bureaux, et autres lieux de travail ;
  - les fermes ;
  - les unités d'habitation destinées aux clients des hôtels, motels et autres établissements d'hébergement ;
  - les hébergements de type chambre d'hôte.

# BANDEAU DE COMMANDES ÉLECTRONIQUE



1. Plus (+)
2. Moins (-)
3. Micro-ondes / Décongélation / Gril / Combiné - Micro/Grill
4. Afficheur
5. Horloge / Programmeur - Clock/Timer
6. Cuisson Auto
7. Marche/Arrêt



1. Verrouillage de sécurité de la porte
2. Hublot
3. Fentes de ventilation
4. Couronne à roulettes
5. Plateau tournant en verre
6. Bandeau de commandes
7. Trépied pour cuisson au gril

# FONCTIONNEMENT

## 1. DEMARRAGE RAPIDE

Utilisez cette fonction pour réchauffer ou cuire rapidement vos aliments aux micro-ondes à 100% de leur puissance. Le four étant en veille, effleurez la touche DEPART l'appareil fonctionne 60 secondes.

**Exemple** pour réchauffer un verre de lait

- Placez le verre de lait au centre du plateau tournant et fermez la porte.
- Appuyez sur la touche MARCHE/ARRET, le micro-ondes va chauffer à 100% de sa puissance pendant 1 minute.
- Lorsque le réchauffage est terminé, le signal sonore retentit 5 fois.

## 2. RÉCHAUFFAGE EN MODE MICRO-ONDES

**Cette fonction comporte deux options :**

### a) Réchauffage rapide (à 100% de la puissance)

**Exemple** pour réchauffer des aliments à 100% de la puissance pendant 5 minutes

- Réglez la durée sur «5:00».
- Appuyez sur la touche MARCHE/ARRET.

### b) Cuisson aux micro-ondes en mode manuel

**Exemple** pour réchauffer des aliments à 70% de la puissance pendant 10 minutes

- Appuyez sur la touche MICRO/GRILL, sélectionnez «70%» de la puissance.
- Réglez la durée sur «10:00».
- Appuyez sur la touche MARCHE/ARRET.

Il existe 5 niveaux de puissance ; en mode micro-ondes, la durée de cuisson la plus longue est de 60 minutes.

Nombre de pressions sur la touche »MICRO/GRILL«	Puissance des micro-ondes	Affichage
1	100%	P100
2	70%	P70
3	50%	P50
4	30%	P30
5	10%	P10

### 3. DECONGELATION AUTOMATIQUE

**Le four vous permet de décongeler la viande, la volaille, le poisson et les fruits de mer. La durée de décongélation et la puissance se réglent automatiquement en fonction du poids que vous indiquez. Les aliments à décongeler peuvent peser entre 100 g et 2000 g.**

**Exemple** pour décongeler 0,5 kg de viande

- a) Appuyez sur la touche MICRO/GRILL, puis sélectionnez «DEF».
- b) Entrez le poids en appuyant sur la touche PLUS et MOINS.
- c) Appuyez sur la touche MARCHE/ARRET.

### 4. GRIL

**Le gril est particulièrement adapté à la cuisson de la viande en tranches : escalopes, steaks, côtelettes, brochettes, saucisses, ou morceaux de poulets. Il convient aussi pour les toasts ou les sandwichs chauds et pour faire dorer les gratins.**

Cette fonction comporte deux options pour le réglage de la puissance. Pour en sélectionner une, appuyez sur la touche MICRO/GRILL (la durée de cuisson ne peut excéder 60 minutes).

**Option 1 :** puissance du gril à 85%, affichage G-1,

**Option 2 :** puissance du gril à 50%, affichage G-2.

**Exemple** pour la cuisson au gril pendant 20 minutes

- a) Appuyez sur la touche MICRO/GRILL, jusqu'à ce que «G-1» apparaisse sur l'afficheur.
- b) Réglez la durée de cuisson sur «20:00».
- c) Appuyez sur la touche MARCHE/ARRET.

**NOTE:** En mode gril, les aliments ne sont pas cuits par les micro-ondes. La chaleur provient de la résistance en métal située en haut du four. Durant la cuisson au gril, le programme divise en deux la durée réglée. Il se met automatiquement en pause à mi-cuisson et 2 bips retentissent pour vous rappeler qu'il faut ouvrir la porte du four et retourner les aliments. Après les avoir tournés sur l'autre face, refermez la porte et appuyez sur la touche START/RESET; la cuisson se poursuit pour la seconde moitié du temps imparti. Si vous ne retournez pas la grillade, le four se remet en marche automatiquement au bout d'une minute de pause.

## 5. CUISSON COMBINÉE

**Cette fonction vous permet de sélectionner l'une des deux possibilités combinées de cuisson.**

**Option 1:** Le four fonctionne 55% du temps aux micro-ondes et 45% du temps au gril. Ce mode convient à la cuisson des poissons et des gratins. C1 s'affiche à l'écran.

**Option 2:** Le four fonctionne 30% du temps aux micro-ondes et 70% du temps au gril. Ce mode convient à la cuisson des crèmes-desserts, soufflés, pommes de terre et volailles. C2 s'affiche à l'écran.

**Exemple** pour la cuisson selon l'option 2 pendant 15 minutes

- Appuyez sur la touche MICRO/GRILL jusqu'à ce que «C-2» apparaisse sur l'afficheur.
- Réglez la durée de cuisson sur «15:00».
- Appuyez sur la touche MARCHE/ARRET.

## 6. CUISSON AUTOMATIQUE

**En mode Cuisson automatique, il vous suffit de sélectionner le type d'aliment et son poids ou sa quantité. Le four se charge de régler la puissance et la durée de cuisson qui conviennent.**

**Exemple** pour la cuisson automatique de 0,4 kg de poisson

- Appuyez sur la touche AUTO MENU, jusqu'à ce que «A-5» apparaisse sur l'afficheur.
- Entrez le poids en appuyant sur la touche PLUS et MOINS.
- Appuyez sur la touche MARCHE/ARRET.

Programme	Poids/quantité	Puissance des micro-ondes	
A-1 Riz	100 - 500g	16 - 23min	80%
A-2 Légumes	100 - 600g	2 - 7min 30sec	100%
A-3 Pâtes	1 - 2	4min 30sec - 7min 40sec	100%
A-4 Viande	200 - 1000g	7 - 19min	80%
A-5 Poisson	200 - 1000g	4 - 12min	80%
A-6 Poulet	200 - 1000g	14min 30sec - 34min	55%
A-7 Liquides	2 - 10dl	2 - 5min	100%
A-8 Popcorn	100g	3min 30sec	100%



## 7. HORLOGE

**Le four est équipé d'une horloge à affichage numérique ; quand le four est en veille, vous pouvez régler l'heure au format 24 heures en effleurant la touche HORLOGE.**

**Exemple :** vous voulez régler l'horloge à 8h30

- Appuyez sur la touche CLOCK/TIMER. L'afficheur commence à clignoter ; réglez les heures avec les touches PLUS et MOINS.
- Appuyez de nouveau sur la touche CLOCK/TIMER et réglez les minutes avec les touches PLUS et MOINS.
- Appuyez encore une fois sur CLOCK/TIMER et l'heure sera réglée.
- Pour modifier le réglage de l'horloge, répétez l'opération ci-dessus.

## 8. PROGRAMMATEUR

**Il vous permet de programmer le départ différé en indiquant l'heure de démarrage de la cuisson.**

L'horloge doit avoir été mise à l'heure pour que vous puissiez utiliser cette fonction.

**Exemple :** il est 16h30 et vous désirez qu'une cuisson de 10 minutes démarre à 18h15, à 70% de la puissance

- Appuyez sur la touche « Clock/Timer » et réglez l'heure à «18:15» avec les touches PLUS et MOINS.
- Appuyez sur la touche MICRO/GRILL pour sélectionner 70% de la puissance.
- Réglez la durée de cuisson sur 10 minutes.
- Appuyez sur la touche MARCHE/ARRET.

**NOTE :** Si vous ne réglez pas la puissance ni la durée de cuisson et appuyez directement sur la touche MARCHE/ARRET, après avoir programmé l'heure de démarrage, le four fonctionnera comme un simple minuteur : il sonnera 10 fois à 18h15 puis se mettra à l'arrêt.

## 9. SÉCURITÉ ENFANTS

**Utilisez cette fonction pour empêcher les jeunes enfants de se servir du four sans surveillance. L'icône de la SÉCURITÉ ENFANTS s'affiche alors à l'écran et l'appareil ne peut pas fonctionner tant que le verrouillage est actif.**

Pour activer la SÉCURITÉ ENFANTS : l'appareil étant en veille, effleurez 3 secondes la touche DÉPART | PAUSE ; un signal sonore retentit et l'icône de verrouillage s'allume. Pour désactiver la SÉCURITÉ ENFANTS, effleurez 3 secondes la touche DÉPART | PAUSE jusqu'à ce que l'icône de verrouillage s'éteigne. Ouvrez la porte et effleurez la touche DÉPART. Si vous ne les retournez pas, le four poursuivra son programme.

---

## 10. TOUCHE START/ RESET

- a) Quand le four est en service, une pression sur MARCHE/ARRET met l'appareil à l'arrêt.
- b) Si vous aviez programmé une opération auparavant, le fait d'appuyer sur START/RESET annule aussi votre programmation.

---

## 11. MODE ECO - ECONOMIES D'ENERGIE

Effleurez simultanément les touches  $\wedge$  et  $\vee$ .  
L'afficheur s'éteint et le four à micro-ondes passe en mode Eco qui réduit la consommation d'électricité.  
Pour annuler le mode ECO et rallumer l'afficheur, appuyez sur une touche quelconque, ou bien ouvrez ou fermez la porte du four.

1. Avant de procéder au nettoyage, mettez le four à l'arrêt et débranchez-le.
2. Maintenez l'intérieur du four en bon état de propreté. Si des éclaboussures adhèrent aux parois, enlevez-les avec une éponge humide. Les détergents agressifs ou abrasifs ne sont pas recommandés.
3. Nettoyez la carrosserie avec une éponge humide. Veillez à ne pas laisser couler d'eau dans les fentes d'aération afin de ne pas endommager les composants du four.
4. Veillez à ce que le bandeau de commandes reste toujours sec. Essuyez-le avec un chiffon doux et humide. N'utilisez pas de détergents, de produits abrasifs ni d'aérosol pour nettoyer le bandeau de commande.
5. Si de la buée s'accumule sur la face interne de la porte ou à sa périphérie, à l'extérieur, essuyez-la avec un chiffon doux. Ce phénomène peut se produire lorsque le four à micro-ondes fonctionne dans des conditions d'humidité élevée ; cela n'indique nullement un dysfonctionnement de l'appareil.
6. Il est quelquefois nécessaire de retirer le plateau tournant pour le nettoyer. Vous pouvez le laver à l'eau chaude savonneuse ou dans votre lave-vaisselle.
7. La couronne à roulettes et le bas de la cavité doivent être entretenus régulièrement pour éviter tout bruit excessif. Nettoyez simplement le bas du four avec de l'eau et un détergent léger ou avec un produit pour les vitres, puis séchez soigneusement. Vous pouvez laver la couronne à roulettes à l'eau tiède savonneuse ou dans votre lave-vaisselle. Les vapeurs de cuisson qui se condensent au cours d'utilisations répétées ne dégradent nullement les surfaces en bas du four ni les roulettes de la couronne. Si vous enlevez la couronne à roulettes au cours du nettoyage, veillez à la remettre en place dans sa position initiale.
8. Pour éliminer les odeurs désagréables, placez dans le four un bol rempli d'eau additionnée d'un jus de citron et de sa peau. Faites fonctionner le four 5 minutes en mode micro-ondes, puis passez l'éponge et essuyez soigneusement avec un torchon sec.

## ENVIRONNEMENT

Lorsqu'il ne fonctionnera plus, ne jetez pas l'appareil avec les ordures ménagères, mais déposez-le à un endroit assigné à cet effet, où il pourra être recyclé. Vous contribuerez ainsi à la protection de l'environnement.

## INSTALLATION MICRO-ONDES

### INSTALLATION

1. Veillez à retirer tous les matériaux d'emballage qui se trouvent à l'intérieur du four.
2. Après avoir déballé l'appareil, vérifiez s'il est en bon état, en portant une attention particulière aux points suivants:
  - Porte mal alignée
  - Porte endommagée
  - Entailles ou trous sur le hublot ou l'afficheur
  - Bosses ou trous dans la cavitéSi vous remarquez l'un des défauts ci-dessus, **N'UTILISEZ PAS** le four.
3. Ce four à micro-ondes pèse 14,5 kg et doit être installé à l'horizontale sur une surface suffisamment solide pour supporter son poids.
4. Il doit rester à distance des sources de chaleur élevée et des dégagements de vapeur.
5. **NE METTEZ RIEN** sur le dessus du four.
6. Laissez un espace libre d'au moins 20 cm de chaque côté du four et de 30 cm à l'arrière afin d'assurer une ventilation correcte. Le four ne doit pas être placé dans une armoire.
7. **N'ENLEVEZ PAS** l'axe d'entraînement du plateau tournant.
8. Surveillez les enfants lorsqu'ils utilisent l'appareil.
9. L'emplacement de la prise murale doit être adapté à la longueur du cordon secteur.
10. La puissance du four est de 1,4 kilovoltampère. Nous vous suggérons de consulter un électricien avant d'installer l'appareil.

**ATTENTION : pour sa sécurité, le four est muni d'un fusible de 250 Volts, 10 Ampères.**

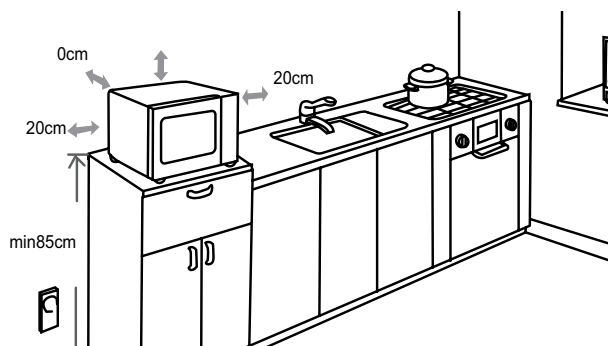
## CARACTÉRISTIQUES TECHNIQUES

Raccordement électrique.....	220-240V-50Hz, 1400W
Puissance des micro-ondes.....	900W
Puissance du gril.....	1200W
Fréquence.....	2450MHz
Dimensions de l'appareil.....	510mm(L) x 303mm(H) x 425mm(P)
Volume du four.....	23 litres
Poids net.....	environ 14,5 kg
Niveau de bruit.....	Lc < 58 dB (A)



**Cet appareil est pourvu du marquage conforme à la directive 2012/19/EU relative aux déchets des équipements électriques et électroniques (DEEE). Cette directive est applicable dans les pays de la CE et définit le cadre pour la reprise et le recyclage des appareils électroménagers en fin de vie utile.**

## DIMENSIONS D'ENCASTREMENT



## INTERFÉRENCES RADIO

Votre four à micro-ondes peut générer des interférences avec votre récepteur radio, votre téléviseur, ou d'autres appareils similaires. Pour les éliminer ou les réduire, prenez les mesures suivantes.

- Nettoyez la porte et son joint d'étanchéité
- Placez la radio, la TV, etc. aussi loin que possible du four.
- Installez une antenne convenable pour votre récepteur radio ou TV afin d'améliorer la réception du signal.

NOUS NOUS RÉSERVONS LE DROIT DE  
PROCÉDER À DES MODIFICATIONS QUI N'ONT  
PAS D'INCIDENCE SUR LE FONCTIONNEMENT DE  
L'APPAREIL.

## AVANT DE CONTACTER LE SERVICE APRÈS-VENTE

1. Si le four ne fonctionne pas du tout, l'afficheur ne s'allume pas ou s'éteint.
  - a) Vérifiez si l'appareil est branché correctement. Si ce n'est pas le cas, retirez la fiche de la prise secteur, attendez 10 secondes et rebranchez le four convenablement.
  - b) Vérifiez si le fusible n'a pas sauté ou si le disjoncteur n'a pas disjoncté. S'ils fonctionnent normalement, testez la prise murale en y raccordant un autre appareil.
2. Si le four ne fonctionne pas en mode micro-ondes:
  - a) Vérifiez si la durée de cuisson a été réglée.
  - b) Vérifiez si la porte est bien fermée et si le verrouillage est enclenché. Dans le cas contraire, le flux des micro-ondes ne peut pas parvenir dans le four.

**Si le four ne fonctionne toujours pas une fois que les vérifications ci-dessus ont été effectuées, contactez le service après-vente.**

**Cet appareil ménager destiné à la cuisson des aliments et des boissons fonctionne avec des ondes électromagnétiques et doit être utilisé exclusivement à l'intérieur.**

Si vous souhaitez obtenir des informations supplémentaires ou si vous rencontrez un problème, contactez le Service Consommateurs Gorenje de votre pays (vous trouverez le numéro de téléphone correspondant sur le dépliant de garantie internationale). S'il n'existe pas de Service Consommateurs Gorenje dans votre pays, renseignez-vous auprès de votre revendeur Gorenje local ou contactez le « Service Department of Gorenje Domestic Appliances ».

Les appareils ou composants d'une même ligne design peuvent éventuellement apparaître sous différentes nuances de couleur en raison de divers facteurs, tels que différents angles de vue, différentes couleurs de fond, les matériaux et l'éclairage de la pièce.

### **Réservé à une utilisation domestique!**

Vous trouverez des informations complémentaires et des conseils utiles sur la cuisson aux micro-ondes et au gril sur notre site Internet:

<http://www.gorenje.fr>

**NOUS VOUS SOUHAITONS BEAUCOUP DE PLAISIR  
LORS DE L'UTILISATION DE VOTRE APPAREIL**

# **gorenje**

Nous nous réservons le droit de modifier cette notice d'utilisation sans préavis et vous prions de nous excuser des erreurs qui auraient pu s'y glisser.

## VÁŽENÝ ZÁKAZNÍKU

Upřímně vám děkujeme za zakoupení našeho výrobku. Přesvědčte se sám o tom, že se na naše výrobky můžete spolehnout. Pro jednodušší použití výrobku přikládáme obsáhlý návod, který vám pomůže v tom, abyste se co nejrychleji seznámili s vaším novým spotřebičem.

Návod k použití by vám měl pomoci se rychle seznámit s vaším novým spotřebičem. Přečtete si jej, prosím, velice pečlivě ještě předtím, než začnete zařízení používat.

V každém případě se nejprve ujistěte, že je dodaný spotřebič v pořádku a není poškozen. Pokud byste našli jakékoli vady, kontaktujte svého dodavatele. Telefonní číslo je uvedeno v záručním listě nebo na paragonu.

Přejeme vám spoustu příjemných zážitků při konzumaci připravených pokrmů.



Přístroj je určen pouze k použití v domácnosti, a to na ohřívání pokrmů a nápojů působením elektromagnetické energie. Přístroj používejte pouze ve vnitřních prostorách.

## NÁVODY K OBSLUZE

Čtete pečlivě pokyny a uchovejte si je pro budoucí použití.

Návody k obsluze jsou určeny spotřebiteli Popisují přístroj a jeho obsluhu. Jsou přizpůsobeny různým typům přístrojů, proto mohou obsahovat také popisy funkcí, které váš přístroj nemá.



## DŮLEŽITÉ BEZPEČNOSTNÍ POKYNY



Nikdy se nedotýkejte ploch spotřebičů určených k vaření nebo ohřívání. Během provozu se zahřívají. Udržujte děti v bezpečné vzdálenosti. Hrozí nebezpečí popálení!



Zdroj mikrovlnného záření a vysoké napětí. Neodstraňujte kryt.

**VAROVÁNÍ!** Zařízení a jeho dostupné části se během používání zahřejí. Je třeba se vyhnout styku s horkými částmi. Děti ve věku do 8 let je třeba udržovat mimo dosah, nejsou-li pod trvalým dohledem.

Toto zařízení mohou používat děti od 8 let a osoby s omezenou fyzickou, smyslovou či mentální schopností či osoby bez dostatečných zkušeností a znalostí, jsou-li pod dohledem, nebo pokud jim byly poskytnuty pokyny ohledně bezpečného používání zařízení a pokud znají související rizika. Děti by měly být pod dohledem, aby si nemohly s tímto spotřebičem hrát. Čištění a uživatelskou údržbu nesmí provádět děti do 8 let a bez dozoru.

Nenechávejte spotřebič a jeho přívodní kabel v dosahu dětí mladších 8 let.

- **UPOZORNĚNÍ:** Když přístroj pracuje v kombinovaném režimu, mohou jej děti používat pouze pod přísným dozorem dospělých osob (platí jen pro přístroje s funkcí grilu). Hrozí nebezpečí popálení z důvodu vysokých teplot.
- **UPOZORNĚNÍ:** Pokud jsou dveře nebo jejich těsnění poškozené, přístroj nepoužívejte, dokud ho neopraví příslušný odborník.

- **UPOZORNĚNÍ:** Jakékoliv opravy, prováděné pod krytem, který chrání uživatele před mikrovlnnými paprsky, jsou nebezpečné. Proto vám radíme, abyste je přenechali odborníkům.
- **UPOZORNĚNÍ:** Tekuté nebo jiné potraviny neohřívejte ve volně nebo těsně uzavřených nádobách, protože může dojít k jejich prasknutí.
- Nedemontujte patky mikrovlnné trouby; proudícímu vzduchu ponechte volný průchod.
- Používejte jen pomůcky, které se do mikrovlnné trouby hodí z hlediska bezpečnosti.
- Při ohřívání potravin v umělohmotných nebo papírových obalech nebo nádobách kontrolujte kvůli vlastní bezpečnosti proces ohřívání: takový materiál se může snadno vznítit.
- Pokud se vyskytne kouř, ihned vypněte přístroj a zástrčku vytáhněte ze zásuvky; dvířka nechte otevřená a případný oheň uhasťte.
- Pokud v mikrovlnné troubě ohříváte nápoje, počítejte s tím, že může být nápoj během krátké doby ohřátý na bod varu – proto buďte opatrní.
- Aby nedošlo ke vzniku popálenin, ještě před použitím promíchejte obsah dětských lahví, případně lahví s pokrmem pro děti; před použitím zkontrolujte teplotu pokrmu.
- V mikrovlnné troubě neohřívejte čerstvá nebo uvařená vejce ve skořápce, protože mohou prasknout (explodovat!), i když budou z trouby již vytažena.
- Při čištění povrchu dveří, těsnění a vnitřku trouby používejte jen jemné a neagresivní čisticí prostředky, které rozetřete houbičkou nebo měkkým hadříkem.

- Pravidelně čistěte troubu a odstraňujte případné nánosy jídel.
- Pokud troubu nebudete čistit pravidelně, může se její vnitřní povrch opotřebovat, a zkrátit tak životnost vaší trouby – navíc vzniká zvýšené riziko při použití přístroje.
- Pokud dojde k poškození elektrického kabelu, může poškozený kabel vyměnit pouze výrobce, pracovník autorizovaného servisu nebo jiný vhodný odborník.
- Nenechávejte též viset přívodní kabel přes hranu stolu či pracovní plochy.
- Nevystavujte se nebezpečným situacím a nikdy nepřipojujte tento přístroj k externímu časovému spínači ani systému dálkového ovládání.
- Nepokoušejte se vymenit osvětlení ohřívacího prostoru, ani to nedovolte nikomu jinému kromě osoby autorizované GORENJE. Pokud přestane osvětlení ohřívacího prostoru fungovat, obraťte se na svého prodejce GORENJE nebo servisní středisko.
- **UPOZORNĚNÍ:** Na žádnou z částí mikrovlnné trouby nepoužívejte komerční čisticí prostředky pro trouby, parní cistice, drsné a hrubé cistice, jakékoli čisticí prostředky obsahující hydroxid sodný nebo drátenky. Troubu čistěte v pravidelných intervalech a odstraňujte veškeré zbytky jídla.

## BEZPEČNOSTNÍ NÁVODY PŘI KAŽDODENNÍM POUŽÍVÁNÍ PŘÍSTROJE

V dalším textu jsou uvedena některá pravidla a bezpečnostní opatření, na která stejně jako u jiných přístrojů musí být brán zřetel, aby přístroj fungoval bezvadně, účinně a dlouhodobě bez problémů:

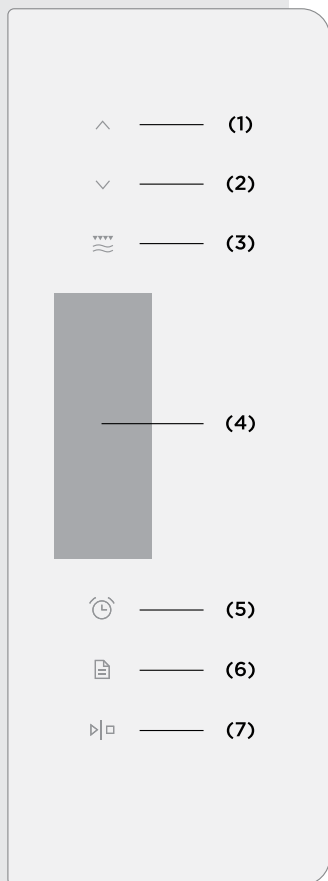
1. Pokud je mikrovlnná trouba v činnosti, musí být skleněný talíř, držáky válce, spojka a drážky vždy na svém místě.
2. Nepoužívejte troubu pro žádné jiné účely než pro přípravu jídel; v mikrovlnné troubě nesušte oblečení, papír nebo jiné předměty a nepoužívejte ji pro sterilizaci.
3. Nikdy nezapínejte troubu, pokud je prázdná, protože byste ji mohli poškodit.
4. V mikrovlnné troubě neskladujte žádný předmět: např. papír, recepty atd.
5. Nevařte pokrmy s blánou nebo slupkou, např. vaječné žloutky, brambory, kuřecí játra atd., aniž byste předtím blánu nebo slupku na více místech před vařením propíchli.
6. Nevkládejte žádné předměty do otvorů na vnější straně trouby.
7. Nikdy nedemontujte části trouby, např. patky, zámek, šroubky atd.
8. Nevařte pokrmy přímo na skleněném talíři v troubě. Než pokrm vložíte do trouby, dejte jej do vhodné nádoby.

**DŮLEŽITÉ:** Kuchyňské nádobí, jehož použití v mikrovlnné troubě je zakázáno:

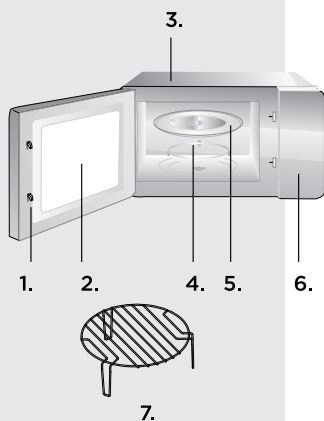
- Nepoužívejte kovové pánve nebo nádoby s kovovými držadly.
  - Nepoužívejte nádobí s hranami potaženými kovem.
  - Nepoužívejte papírem potažené kovové drátky k zavírání igelitových sáčků.
  - Nepoužívejte nádobí z melaminu, protože obsahuje materiál, který absorbuje mikrovlnné paprsky. To může způsobit, že nádoba praskne nebo se spálí, kromě toho může zpomalit proces ohřívání nebo vaření.
  - Nepoužívejte nádobí bez vhodné ochrany, která je určena k používání v mikrovlnné troubě. Nepoužívejte ani uzavřené nádobí s rukojetí.
  - Nepřipravujte pokrmy nebo nápoje v nádobí se zúženým okrajem, např. láhev, která může při ohřívání prasknout.
  - Nepoužívejte klasické teploměry na maso a cukroví. Používat můžete pouze teploměry, které jsou určeny k použití v mikrovlnných troubách.
9. Pomůcky pro mikrovlnnou troubu používejte pouze v souladu s návody jejich výrobce.

10. Nepokoušejte se v mikrovlnné troubě smažit potraviny.
11. Dbejte na to, aby se v troubě ohřál pouze obsah nádoby a ne samotná nádoba, ve které se obsah nachází. Může se totiž stát, že po nadzvednutí pokličky se obsah v nádobě odpařuje nebo z něj stříkají kapky, přestože samotná poklice není horká.
12. Před použitím vždy zkontrolujte teplotu pokrmu, obzvláště pokud je pokrm určen dětem. Doporučujeme vám, abyste nikdy neochutnávali pokrmy přímo z trouby. Nejdříve nádobu vyjměte a obsah promíchejte, aby se teplota rovnoměrně rozdělila.
13. Pokrmy, které obsahují emulzi omastku a vody, např. polévkový základ, musejí v troubě zůstat ještě 30 až 60 sekund po vypnutí. Vývar přestane vřít a nebude bublat, pokud jej promícháte, nebo do něj vložíte polévkovou kostku (např. masox).
14. Při přípravě pokrmů dávejte pozor, aby se některé druhy pokrmů, např. vánoční pudink, marmeláda nebo mleté maso, neohřály příliš rychle. K ohřívání nebo vaření pokrmů, které obsahují větší množství tuku, nepoužívejte umělohmotné nádoby.
15. Pomůcky, které používáte při přípravě pokrmů v mikrovlnné troubě, se mohou velmi zahřát, protože pokrmy vylučují teplo. Zejména to platí v případě, kdy je horní část nádoby přikrytá umělohmotnou poklicí nebo krytem. Na přenesení takové nádoby budete potřebovat kuchyňské rukavice.
16. Abyste snížili riziko požáru v mikrovlnné troubě:
  - a) Dejte pozor, abyste pokrmy nevařili příliš dlouho. Pečlivě kontrolujte průběh ohřívání, pokud se v troubě nacházejí papírové nebo umělohmotné pomůcky, případně nádoby z hořlavého materiálu.
  - b) Než položíte sáček do mikrovlnné trouby, odstraňte drátky, které slouží k jeho uzavírání.
  - c) Pokud předmět v troubě začne hořet, nechte dvířka trouby zavřená, vypněte troubu, vytáhněte zástrčku ze zásuvky nebo vypněte hlavní pojistku na pojistkovém panelu.
17. Toto zařízení je určeno pro domácí použití a obdobné použití, jako:
  - v prostorech komerčních, kancelářských kuchyních nebo jiných pracovních prostředích;
  - v prostředích farem;
  - pro hotelové, motelové a jiné rezidenční klienty;
  - prostředích zařízení pro ubytování a občerstvení

## DIAGRAM TROUBY



1. Nahoru (+)
2. Dolů (-)
3. Výběr způsobu vaření a pečení - Micro/Grill
4. Displej
5. Nastavení času a programovací hodiny - Clock/Timer
6. Výběr menu / Auto menu
7. START a přerušení činnosti - Start/Reset



1. Zavírání dvířek
2. Okno trouby
3. Průduchy nebo ventilátor cirkulace vzduchu
4. Prstenec skleněného talíře
5. Skleněný talíř
6. Kontrolní panel
7. Mřížka grilu

# NÁVOD K POUŽITÍ

## 1. RYCHLY START

Tato funkce se používá pro rychle ohřívání (100% mikrovlnný výkon) nebo vaření potravin. V pohotovostním režimu stiskněte tlačítko START; trouba bude v provozu 60 sekund.

**Příklad:** Ohřívání sklenice mléka

- a) Sklenici mléka postavte na skleněný otočný talíř do trouby a zavřete dvířka.
- b) Stiskněte tlačítko START/RESET a mikrovlnná trouba bude pracovat 1 minutu se 100% výkonem.
- c) Po ukončení ohřevu trouba upozorní uživatele pěti zvukovými signály.

## 2. OHŘEV MIKROVLNNÝMI PAPRSKY

Tato funkce nabízí možnosti:

### a) Rychlý ohřev s mikrovlnnými paprsky (100% výkon)

**Příklad:** Vaření se 100% výkonem na 5 minut

1. Nastavte čas na „5:00“.
2. Stiskněte tlačítko START/RESET.

### b) Ohřívání s mikrovlnnými paprsky v ručním režimu

**Příklad:** Ohřívání potravin s výkonem 70% po dobu 10 minut

1. Stiskněte tlačítko MICRO/GRILL a nastavte požadovaný výkon 70 %.
2. Nastavte čas na „10:00“.
3. Stiskněte tlačítko START/RESET.

Nastavit můžete 5 úrovní výkonu ohřívání, na dobu ne delší než 60 minut.

Počet stisků na tlačítko "MICRO/GRILL"	Výkon mikrovlnných paprsků	Informace na displeji
1	100%	P100
2	70%	P70
3	50%	P50
4	30%	P30
5	10%	P10

### 3. AUTOMATICKÉ ROZMRAZOVÁNÍ

**V troubě lze rozmrazovat maso, drůbež a mořské plody. Doba rozmrazování a provozní výkon se nastaví automaticky podle předem nastavené hmotnosti. Hmotnost rozmrazovaných potravin se může pohybovat mezi 100 g a 2000 g.**

**Příklad:** Rozmrazování 0,5 kg zmrzlého masa

- a) Stisknutím tlačítka MICRO/GRILL vyberte „DEF“.
- b) Stisknutím tlačítka NAHORU a DOLŮ vložte hmotnost potraviny.
- c) Zmáčkněte tlačítko START/RESET.

### 4. GRIL

**Grilování je zvláště vhodné pro tenké plátky masa, řízků nebo steaky, kotlety, špičky, klobásy či kusky kuřecího masa. Dale je vhodné pro opečení chleba nebo sendvičů a pro dokončování gratinovaných pokrmů.**

Tuto funkci je možné použít dvěma způsoby; požadované funkce můžete vybrat tlačítkem MICRO/GRILL (nejdelší doba vaření je 60 minut).

**1. Způsob:** 85 % výkonu grilu, na displeji se objeví nápis G-1

**2. Způsob:** 50 % výkonu grilu, na displeji se objeví nápis G-2.

**Příklad:** Příprava pokrmu na grilu, 20 minut

- a) Stiskněte tlačítko MICRO/GRILL, aby se na displeji objevil nápis „G-1“.
- b) Nastavte čas vaření na „20:00“.
- c) Stiskněte tlačítko START/RESET.

**POZN.:** Při přípravě pokrmu na grilu neohřívají jídlo mikrovlny, ale teplo, které vytváří kovová spirála v horní části trouby. Pokud je funkce grilu v chodu, je pečení masa nebo těsta možné dvěma způsoby. Po první polovině doby přípravy se program automaticky přeruší. Dvojí pípnutí upozorní, že je třeba pokrm, který připravujete na grilu, pootočit. Po otočení pokrmu opět zavřete dvířka trouby a stiskněte tlačítko START/RESET. Program pro přípravu pokrmu bude pokračovat. Pokud si pokrm nepřejete otočit, bude program za minutu automaticky pokračovat.

### 5. KOMBINOVANÝ CHOD

**U tohoto spotřebiče můžete vybírat mezi dvěma možnostmi kombinovaného vaření.**

**Možnost 1:** Trouba bude v provozu 55 procent času s mikrovlnami a 45 procent času s grilem. Tento provozní



režim je vhodný pro přípravu ryb nebo gratinovaných pokrmů. Na displeji se objeví nápis „C-1“.

**Možnost 2:** Trouba bude v provozu 30 procent času s mikrovlnami a 70 procent času s grilem. Tento provozní režim je vhodný pro přípravu pudinku, suflé, omelet, pečených brambor a drůbeže. Na displeji se objeví nápis „C-2“.

**Příklad:** Příprava pokrmů s možností 2, 15 minut

- Několikrát stisknete tlačítko MICRO/GRILL, aby se na displeji objevil nápis „C-2“.
- Nastavte čas chodu na „15:00:00“.
- Stisknete tlačítko START/RESET.

## 6. AUTOMATICKÉ MENU

**Pro potraviny v automatickém režimu je třeba nastavit pouze druh potravin a hmotnost/množství. Trouba vám pomůže při nastavování výkonu a času.**

**Příklad:** Automatické vaření 0,4 kg ryby

- Několikrát zmáčknete tlačítko AUTO MENU, dokud se na displeji neobjeví „A-5“.
- Nastavte váhu tlačítkem NAHORU a DOLŮ, dokud se na displeji neobjeví hodnota „0,4“.
- Stisknete tlačítko START/RESET.

Nabídka	Hmotnost/ množství	Výkon trouby	
A-1 Rýže	100 - 500g	16 - 23min	80%
A-2 Zelenina	100 - 600g	2 - 7min 30sec	100%
A-3 Nudle	1 - 2	4min 30sec - 7min 40sec	100%
A-4 Maso	200 - 1000g	7 - 19min	80%
A-5 Ryba	200 - 1000g	4 - 12min	80%
A-6 Drůbež	200 - 1000g	14min 30sec - 34min	55%
A-7 Tekutina	2 - 10dl	2 - 5min	100%
A-8 Popcorn	100g	3min 30sec	100%

## 7. HODINY

**Trouba je vybavena digitalními hodinami. Když je trouba v pohotovostním režimu, lze hodiny nastavit do 24hodinového režimu stisknutím tlačítka CLOCK.**

**Příklad:** Nastavení času na 8:30

1. Stiskněte tlačítko CLOCK/TIMER. Čísla na displeji začnou blikat. Tlačítka NAHORU a DOLŮ nastavte hodiny.
2. Znovu stiskněte tlačítko „Clock/Timer“ a nastavte minuty pomocí tlačítek NAHORU a DOLŮ.
3. Znovu stiskněte tlačítko CLOCK/TIMER tím uložíte nově nastavený čas.
4. Pokud chcete změnit nastavení hodin, zopakujte horní postup.

## 8. PROGRAMOVACÍ HODINY

**Časovač umožňuje předem nastavit čas pro začátek a konec přípravy pokrmů.**

Před použitím této funkce musí být nastaven přesný čas na troubě.

**Příklad:** Momentální čas je 16:30, přičemž pokrm chcete připravovat v 18:15, a to na výkonu 70 %, 10 minut

- a) Stiskněte tlačítko CLOCK/TIMER a tlačítka NAHORU a DOLŮ nastavte čas na 18:15.
- b) Tlačítkem MICRO/GRILL nastavte výkon na 70 %.
- c) Nastavte čas vaření na 10 minut.
- d) Stiskněte tlačítko START/RESET.

**Trouba je vybavena digitalními hodinami. Když je trouba v pohotovostním režimu, lze hodiny nastavit do 24hodinového režimu stisknutím tlačítka CLOCK.**

**Příklad:** Pokud nenastavíte výkon nebo čas vaření a hned po nastavení času pro uvedení do provozu nestisknete tlačítko „Start“, přístroj bude fungovat pouze jako hodiny (budík). V 18:15 zazní 10x písknutí a přístroj se automaticky vypne.

---

## 9. DĚTSKÁ POJISTKA

**Tuto pojistku můžete použít k tomu, abyste zabránili v používání trouby malými dětmi bez dozoru. Jestliže bude aktivována dětská pojistka, na displeji bude zobrazen ukazatel DĚTSKÉ POJISTKY a troubu nebude možné používat.**

Nastavení DĚTSKÉ POJISTKY: V pohotovostním režimu trouby stiskněte tlačítko START | PAUZA a přidržte jej po dobu 3 sekund; zazní zvukový signál a rozsvítí se ukazatel pojistky.

Jestliže chcete DĚTSKOU POJISTKU zrušit: Stiskněte tlačítko START | PAUZA a přidržte jej po dobu 3 sekund, aby ukazatel dětské pojistky na displeji zhasl.



---

## 10. START/RESET

- a) Pokud během funkce přístroje stisknete tlačítko START/RESET, proces vaření nebo pečení se přeruší.
- b) V případě, že jste původně nastavili programovaný režim, stisknutím tlačítka START/RESET tento program zrušíte.

---

## 11. REŽIM ECO - ÚSPORA ENERGIE

Stiskněte současně tlačítka  a . Displej se vypne a mikrovlnná trouba je v režimu ECO, což minimalizuje spotřebu energie.

Pro zrušení režimu ECO a opětovné zapnutí displeje stiskněte jiné tlačítko nebo otevřete/zavřete dveře.

# PÉČE A ÚDRŽBA MIKROVLNNÉ TROUBY

1. Než začnete čistit mikrovlnnou troubu, vytáhněte zástrčku ze zásuvky.
2. Vnitřek trouby udržujte vždy v čistotě. Pokud částečky pokrmu nebo tekutiny, které stříkají na stěny nebo dno trouby, zaschnou, otřete je navlhčeným hadříkem. Nedoporučuje se používání hrubých čisticích nebo agresivních prostředků.
3. Vnější povrch trouby čistěte navlhčeným hadříkem. Aby nedošlo k poškození vnitřních stěn mikrovlnné trouby, dbejte na to, aby se do průduchů nevyllila voda.
4. Kontrolní panel nesmí přijít do kontaktu s vodou. Čistěte ho měkkým a navlhčeným hadříkem. K čištění kontrolního panelu nepoužívejte mycí nebo agresivní čisticí prostředky ani prostředky ve spreji.
5. Pokud se na vnitřním nebo vnějším povrchu trouby objeví pára, otřete ji měkkým hadříkem. To se může stát v případě, že mikrovlnnou troubu používáte ve vlhkých místnostech, v žádném případě se nejedná o poruchu trouby.
6. Občas vyjměte také skleněný talíř z trouby a očistěte jej. Skleněný talíř (podstavec) myjte teplou vodou nebo v myčce.
7. Ložiskový prstenec a dno (spodní povrch) vnitřní části trouby je třeba pravidelně čistit, v opačném případě může trouba pracovat hlučně. Jednoduše očistěte dno v troubě jemným čisticím prostředkem, vodou nebo prostředkem na čištění skla a nechte uschnout. Ložiskový prstenec můžete omývat teplou vodou nebo v myčce na nádobí. Po dlouhodobém používání trouby se na kolečkách ložiskového prstence objeví výpary, které se uvolňují při vaření; nemají žádný vliv na jeho funkci. Při vyjmutí ložiskového prstence z drážky na dně komory (vnitřku trouby) dejte pozor, abyste ho zase správně umístili.
8. Případný nepříjemný pach z trouby můžete odstranit tak, že do hluboké nádoby na přípravu pokrmů v troubě nalijete šálek vody a nakrájíte kůru z jednoho citronu. Nádobu vložte na pět minut do mikrovlnné trouby a troubu zapněte. Po vypnutí pečlivě otřete a vysušte vnitřek trouby a očistěte jej měkkým hadříkem.

## ŽIVOTNÍ PROSTŘEDÍ

Až přístroj doslouží, nevyhazujte jej do běžného komunálního odpadu, ale odevzdejte jej do sběrný určené pro recyklaci. Pomůžete tím chránit životní prostředí.

# MONTÁŽ MIKROVLNNÉ TROUBY

## INSTALACE

1. Nejdříve zkontrolujte, jestli jste z vnitřku trouby vyndali veškerý obalový materiál.
2. Po jeho odstranění zkontrolujte troubu, jestli nedošlo k jejímu poškození, např.:
  - ohnuté dveře,
  - poškozené dveře,
  - poškození nebo nerovnosti ve skle (okénku) na dveřích nebo na displeji,
  - nerovnosti ve vnitřku trouby.Jakmile zjistíte některé z uvedených poškození, přestaňte troubu používat.
3. Mikrovlnná trouba váží přibližně 14,5 kg; postavte ji na rovnou a dostatečně pevnou plochu, která unese váhu trouby.
4. Troubu položte co nejdále od tepelných zdrojů a páry.
5. Na horní stěnu trouby nic nepokládejte.
6. Pro správnou cirkulaci vzduchu kolem přístroje by mělo být: kolem trouby alespoň 20 cm a nad ní 30 cm volného prostoru. Mikrovlnná trouba nesmí být umístěna ve skříni.
7. Neodnímejte pohonnou hřídel otočného talíře uvnitř trouby.
8. Pokud mikrovlnnou troubu používají děti, musejí být pod pečlivým dohledem dospělých osob.
9. Elektrická zásuvka musí být přístupná tak, aby bylo možné spotřebič v případě nouze snadno odpojit. Nebo by mělo být možné izolovat troubu od napájení začleněním vypínače odpovídajícího pravidlum pro kabeláž. Připojte spotřebič ke zdroji jednofázového napětí 230 V/50 Hz střídavého proudu prostřednictvím správně nainstalované zásuvky s uzemněním. **UPOZORNENÍ! TOTO ZARÍZENÍ MUSÍ BYT UZEMNĚNO!** Vyrobcem nenese žádnou odpovědnost za případy, kdy nejsou tato bezpečnostní opatření dodržena.
10. Trouba potřebuje 1,4 kVA příkonu. Doporučujeme vám, abyste se při instalaci trouby poradili s opravářem, případně s vhodným odborníkem.

**POZOR: Trouba je vybavena vlastní pojistkou, a to 250 V, 10 A.**

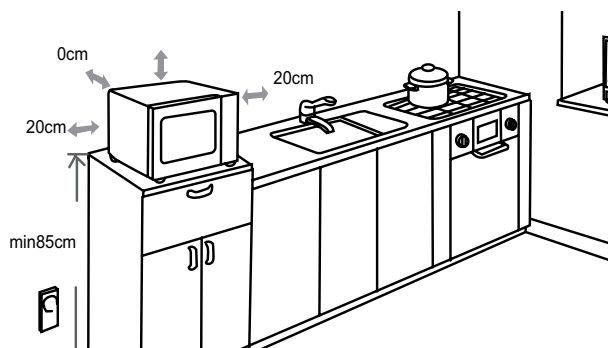
## SPECIFIKACE

Spotřeba el. energie.....	220-240V-50Hz, 1450W
Výkon.....	900W
Spirála grilu.....	1200W
Funkční frekvence.....	2450MHz
Vnější rozměry.....	510mm(Š) x 303mm(V) x 425mm(H)
Objem trouby.....	23 litrů
Hmotnost bez obalu.....	přibližně 14,5 kg
Hladina akustického výkonu vyzařovaná spotřebičem.....	Lc < 58 dB (A)



**Tento přístroj je označen v souladu s evropskou směrnicí 2012/19/EU o elektrickém a elektronickém odpadu (waste electrical and electronic equipment - WEEE). Směrnice obsahuje nařízení o sběru a nakládání s odpady elektrického a elektronického charakteru, které platí v EU.**

## MONTÁŽNÍ ROZMĚRY



## PORUCHY FUNKCE PŘIJÍMAČŮ (INTERFERENCE)

Mikrovlnná trouba může způsobit poruchu funkce vašeho rádiového nebo televizního přijímače, popř. jiných obdobných přístrojů. V případě, že se vyskytne interference, můžete tuto poruchu snížit, případně zcela odstranit, následovně:

- Očistěte dveře a povrch těsnění v troubě.
- Umístěte rušený přijímač co možná nejdále od mikrovlnné trouby.
- Své rádio nebo televizi vybavte vhodnou anténou, kterou umístíte tak, aby zajistila silný příjem signálu.

VYHRAZUJEME SI PRÁVO NA ZMĚNY, KTERÉ NEMAJÍ  
VLIV NA FUNKČNOST SPOTŘEBIČE.

## NEŽ ZAVOLÁTE OPRAVÁŘE

1. V případě, že mikrovlnná trouba vůbec nefunguje, nebo se nerozsvítí displej, popř. zhasne:
  - a) Zkontrolujte, jestli je trouba správně připojená do elektrické sítě. Pokud není, vytáhněte zástrčku ze zásuvky a vyčkejte 10 vteřin; poté ji znovu zastrčte.
  - b) Zkontrolujte, jestli je pojistka elektrického vedení neporušená, nebo jestli nevypadla pojistka v domě. Pokud jsou všechny pojistky funkční, vyzkoušejte zásuvku zapojením jiného přístroje.
2. V případě, že mikrovlnná trouba nehřeje, tj. nevytváří mikrovlnný paprsek:
  - a) Zkontrolujte, jestli jsou programovací hodiny správně nastavené.
  - b) Zkontrolujte, jestli jsou dvířka správně zavřená a bezpečnostní zámek uzamčen. Pokud tomu tak není, trouba nebude fungovat.

**V případě, že se vám pomocí tohoto návodu nepodařilo odstranit závadu, spojte se s autorizovaným opravářem.**

## ZÁRUKA A SERVIS

Pokud byste měli jakýkoliv problém nebo byste potřebovali nějakou informaci, kontaktujte Středisko péče o zákazníky společnosti Gorenje ve své zemi (telefonní číslo střediska najdete v letáčku s celosvětovou zárukou).

Pokud se ve vaší zemi Středisko péče o zákazníky nenachází, můžete kontaktovat místního dodavatele výrobků Gorenje nebo oddělení Service Department of Gorenje Domestic Appliances.

Možné neshody v barevných odstínech mezi různými spotřebiči nebo elementy uvnitř jedné designové řady mohou být způsobeny různými faktory, jako jsou úhly, pod kterými se na spotřebiče díváme, různé barevné pozadí, materiály a osvětlení místnosti.

### **Jen pro osobní užití!**

Další informace o pečení v mikrovlnné troubě bez nebo s použitím grilu a jiné užitečné rady najdete na našich stránkách:

<http://www.gorenje.cz>

### **PŘEJEME VÁM PŘÍJEMNÉ CHVÍLE PŘI POUŽÍVÁNÍ MIKROVLNNÉ TROUBY - VAŠE**

# **gorenje**

Vyhrazujeme si právo na jakékoliv změny a chyby v návodu k používání.



**VÁŽENÝ ZÁKAZNÍK**

Úprimne Vám ďakujeme za nákup. Veríme, že čoskoro nájdete bohaté informácie, ktoré skutočne spoliehajú na naše výrobky. Aby ste si uľahčili obsluhu spotrebiča, prikladáme tento obsiahly návod na obsluhu.

Pokyny Vám pomôžu pri oboznamovaní sa s vaším novým spotrebičom. Prosím, prečítajte si ich pozorne pred prvým použitím spotrebiča.

V každom prípade, sa prosím, uistite, že Vám bol doručený nepoškodený spotrebič. Mali by ste určiť prepravné poškodenie, spojiť sa s obchodným zástupcom, alebo miestnou predajňou, z ktorej bol výrobok dodaný. Telefónne číslo nájdete na príjmovom doklade, alebo na dodacom liste.

Želáme Vám veľa potešenia s Vaším novým domácim spotrebičom.



Toto zariadenie pre domáce použitie na ohrievanie jedla a nápojov používa elektromagnetickú energiu, len pre domáce použitie.

**NÁVOD NA OBSLUHU**

Pozorne si tento návod na použitie prečítajte a uchovajte ho pre potrebu do budúcnosti.

Návod na použitie je určený pre užívateľa. Popisuje spotrebič a spôsob zaobchádzania s ním. Je univerzálneho charakteru a preto je možné, že výrobok, ktorý vlastníte, neobsahuje všetky funkcie popísané v návode.

## DÔLEŽITÉ BEZPEČNOSTNÉ POKYNY



Nikdy sa nedotýkajte plôch spotrebičov určených na varenie alebo ohrievanie. Počas prevádzky sa zahrievajú. Udržujte deti v bezpečnej vzdialenosti. Hrozí nebezpečenstvo popálenia!



Mikrovlnné žiarenie & vysoké napätie!  
Neodstraňujte kryt.

**VÝSTRAHA!** Zariadenie a jeho dostupné časti sa v priebehu používania zahrejú. Je treba sa vyhnúť styku s horúcimi časťami. Deti vo veku do 8 rokov je treba udržiavať mimo dosah, pokiaľ nie sú trvalým dozorom. Toto zariadenie môžu používať deti od 8 rokov a osoby s obmedzenou fyzickou, zmyslovou či mentálnou schopnosťou či osoby bez dostatočných skúseností a znalostí, pokiaľ sú pod dozorom, alebo pokiaľ im boli poskytnuté pokyny o bezpečnom používaní zariadenia a pokiaľ poznajú súvisiace riziká.

Dbajte na to, aby sa deti nehrali so zariadením. Čistenie a užívateľskú údržbu nesmú robiť deti do 8 rokov a deti bez dozoru. Udržujte spotrebič a prírodný kábel mimo dosahu detí mladších ako 8 rokov.

- **VAROVANIE:** Pri používaní zariadenia v kombinovanom režime, by mali deti používať rúru len pod dohľadom dospelých kvôli generovaným teplotám; (Len pre modely s funkciou grilovania)
- **VAROVANIE:** Ak sú dvere alebo tesnenie dverí poškodené, rúru nesmiete používať, pokiaľ nebude opravená kompetentnou osobou;

- **VAROVANIE:** Pre každého, okrem kompetentnej osoby, je nebezpečné vykonávať opravy a údržbu, ktorá zahŕňa demontáž krytu, ktorý chráni pred mikrovlnnou energiou.;
- **VAROVANIE:** Tekutiny a iné potraviny nesmú byť ohrievané v uzatvorených nádobách, pretože môžu explodovať.
- Neodstraňujte nožičky rúry a neblokujte ventilačné otvory.
- Používajte len kuchynský riad určený na použitie v mikrovlnnej rúre.
- Keď ohrievate potraviny v plastových alebo papierových obaloch, dávajte pozor, aby sa nevznietili;
- Ak spozorujete dym, vypnite alebo odpojte zariadenie a dvere nechajte zatvorené na uhasenie ohňa;
- Mikrovlnné ohrievanie môže mať za následok oneskorené prevretie, preto buďte pri narábaní s nádobou opatrný;
- Obsah fľaše pre kojencov a detské poháre premiešajte alebo pretrepte a pred podávaním deťom skontrolujte teplotu na zabránenie popálenia;
- Vajcia v škrupine a celé vajcia na tvrdo neohrievajte v mikrovlnnej rúre, pretože môžu explodovať, dokonca aj po skončení ohrievania;
- Na čistenie povrchov dverí, tesnenia dverí, interiéru rúry použite len jemné nebrúsne mydlá, alebo čistiace prostriedky aplikované špongiou alebo jemnou tkaninou.
- Rúra by mala byť čistená pravidelne a mali by byť odstránené všetky zvyšky pokrmov;

- Neudržiavanie rúry v čistých podmienkach môže viesť k poškodeniu povrchu, ktorý môže nepriaznivo ovplyvniť životnosť zariadenia a môže byť výsledkom nebezpečnej situácie;
- Ak je sieťová šnúra poškodená, musí byť vymenená výrobcom, servisom alebo podobne oprávnenou osobou na zabránenie rizika.
- Nenechajte kábel prevísať cez okraj stola alebo pracovnej dosky.
- Aby nedošlo k nebezpečným situáciám, nikdy nepripájajte zariadenie k externému časovému spínaču ani diaľkovému ovládaciu systému.
- Nepokúšajte sa sami vymeniť žiarovku rúry a zabezpečte, aby túto činnosť vykonávali výhradne autorizované osoby. Ak sa vypáli žiarovka rúry, obráťte sa na predajcu alebo miestne servisné stredisko.
- **UPOZORNENIE:** Žiadnu časť mikrovlnnej rúry nečistite čistiacimi prostriedkami na tradičné rúry, parnými čističmi, abrazívnymi ani agresívnymi čistiacimi prostriedkami, prostriedkami s obsahom hydroxidu sodného ani drôtenkami.

## BEZPEČNOSTNÉ POKYNY PRE VŠEOBECNÉ POUŽITIE

Nižšie sú uvedené, tak ako pri všetkých spotrebičoch, určité zásady na ovládanie a bezpečnosť na zaistenie špičkového výkonu tejto rúry:

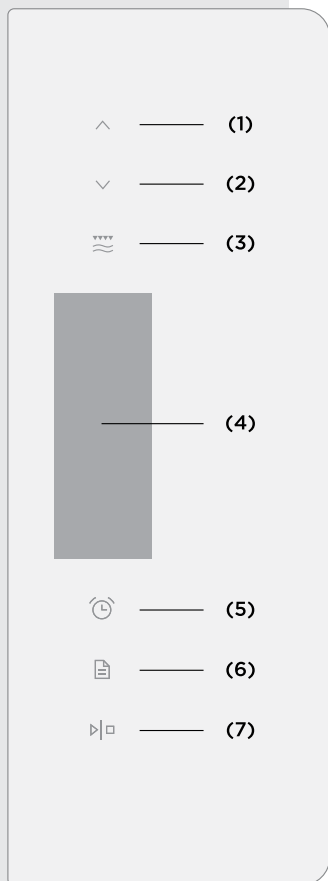
1. Pri používaní rúry vždy majte na svojom mieste všetky potrebné súčasti (otočný sklený tanier, valčekový prstenec a spojky).
2. Rúru používajte len na prípravu pokrmov, nepoužívajte na sušenie oblečenia, papiera alebo iných nepotravinových predmetov a na sterilizovanie.
3. Rúru nepoužívajte, keď je prázdna. Toto ju môže poškodiť.
4. Rúru nepoužívajte ako odkladací priestor, napríklad papiera, kníh, atď.
5. Nevarte žiadny pokrm s blanou, ako je žĺtok, zemiaky, kurča, atď, bez niekoľkonásobného prepichnutia vidličkou.
6. Do vonkajších otvorov nekladajte žiadne predmety.
7. Neodstraňujte žiadne časti rúry ako sú nožičky, skrutky, atď.
8. Pokrm nevarajte priamo na otočnom tanieri. Pokrm umiestnite do/na správny kuchynský riad.

### **DÔLEŽITÉ** - V MIKROVLNNEJ RÚRE NEPOUŽÍVAJTE

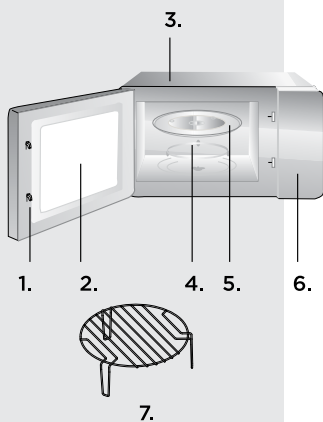
- Nepoužívajte kovové panvice alebo riad s kovovými rúčkami.
  - Nepoužívajte riad s kovovými ozdobami.
  - Nepoužívajte plastové vrecká uzatvorené drôtom.
  - Nepoužívajte melamínový riad ak obsahuje materiál, ktorý pohlcuje mikrovlnnú energiu. To môže spôsobiť prasknutie riadu alebo opálenie a spomaľuje rýchlosť varenia.
  - Nepoužívajte starožitný riad. Glazúra nie je vhodná pre mikrovlnné použitie. Šálky typu „Corelle Livingware“ by nemali byť použité.
  - Nepoužívajte na varenie nádoby s obmedzeným otvorom, pretože môžu explodovať.
  - Nepoužívajte bežné mäsové a pekárske teplomery.
  - Existujú teplomery výslovne na mikrovlnné varenie. Tieto môžu byť použité.
9. Mikrovlnný riad by mal byť používaný len s pokynmi výrobcu.
  10. Nepokúšajte sa smažiť pokrmy v rúre.
  11. Zapamätajte si, že mikrovlnná rúra ohrieva len tekutinu v nádobe. Preto kryt nádoby nie je po vybratí z rúry horúci. Zapamätajte si, že pokrm/tekutina vnútri uvoľní rovnaké množstvo pary po otvorení krytu ako pri bežnom varení.

12. Vždy skontrolujte teplotu vareného pokrmu, obzvlášť ak ohrievate alebo varíte pokrm/tekutinu pre deti. Je vhodné nikdy nekonzumovať pokrm ihneď po vybratí z rúry, ale ho nechať niekoľko minút odstáť a premiešať, aby sa rovnomerne rozložilo teplo.
13. Pokrm obsahuje zmes tuku a vody, napr. vývar by ste mali nechať odstáť 30-60 sekúnd v rúre po dokončení. To umožní zmesi vyrovnáť teplotu a zamedziť bublaniu keď ponoríte lyžicu do pokrmu/tekutiny alebo pridáte bujón.
14. Keď pripravujete/varíte pokrm/tekutinu a pamätáte, že sú určité pokrmy, napríklad puding, džem a mleté mäso, ktoré sa zohrejú veľmi rýchlo. Keď ohrievate alebo varíte pokrmy s vysokým obsahom tuku alebo cukru, nepoužívajte plastové nádoby.
15. Kuchynský riad sa môže zohriať z dôvodu prenosu tepla z ohrievaného pokrmu. Zvlášť pri riade s plastovými povrchmi. Preto na vybratie nádoby môžu byť potrebné kuchynské rukavice.
16. Zníženie rizika vzniku ohňa v rúre:
  - a) Pokrm neprevádzajte. Ak sú v rúre umiestnené papierové, plastové alebo iné horľavé materiály potrebné pri varení, neustále kontrolujte mikrovlnnú rúru.
  - b) Pred vložением vreciek do mikrovlnnej rúry z nich odstráňte uzatváracie drôty.
  - c) Ak by sa materiály vnútri rúry mali zapáliť, nechajte dvere rúry zatvorené, odpojte rúru z elektrickej zásuvky, vypnite stenový istič alebo vypnite hlavný istič v poistkovej skrini.
17. Tento spotrebič je určený len na domáce a podobné použitie, ako napríklad:
  - v kuchynkách pre zamestnancov v obchodoch, kanceláriách a iných pracovných prostrediach;
  - na chalupe;
  - klientmi v hoteloch, motelloch a iných obytných prostrediach;
  - v ubytovacích zariadeniach s raňajkami.

# OVLÁDACÍ PANEĽ



1. Nahor (+)
2. Dolu (-)
3. Mikrovlny/rozmrazovanie/Gril/Kombinovaná prevádzka - Micro/Grill
4. Okno displeja
5. Hodiny / Časovač
6. Auto Menu
7. Start / Reset



1. Bezpečnostný uzatvárací systém dverí
2. Okno rúry
3. Vetracie otvory rúry
4. Valčekový prstenec
5. Otočný tanier
6. Ovládací panel
7. Grilovací stojan

## 1. RYCHLE SPUSTENIE

Tuto funkciu použite pre rýchly ohrev (100% výkon mikrovln) alebo pre uvarenie pokrmu. V pohotovostnom režime stlačte tlačidlo **START** a rúra bude pracovať 60 sekund.

**Príklad:** Zohriatie pohára mlieka

- Pohár mlieka položte na otočný tanier a zatvorte dvere.
- Stlačte tlačidlo **START/RESET**. Mikrovlnná rúra bude pracovať 1 minútu na 100% výkon.
- Keď je zohrievanie ukončené, zaznie 5 pípnutí.

## 2. MIKROVLNNÝ OHREV

**Táto funkcia má dva varianty.**

### a) Rýchle mikrovlnné ohrievanie (100% výkon)

**Príklad:** Ohrievanie pokrmu 5 minút na 100% výkon

- Čas nastavte na »5:00«.
- Stlačte **START/RESET**.

### b) Manuálne nastavenie mikrovlnného ohrievania

**Príklad:** Ohrievanie pokrmu 10 minút na 70% výkon

- Stlačte tlačidlo **MICRO/GRILL** a zvolte »70%« výkon.
- Čas nastavte na »10:00«.
- Stlačte **START/RESET**.

**Obsahuje 5 výkonových úrovní a najdlhší mikrovlnný čas varenia je 60 minút.**

Počet stlačení "MICRO/GRILL"	Mikrovlnný výkon	Zobrazenie
1	100%	P100
2	70%	P70
3	50%	P50
4	30%	P30
5	10%	P10



### 3. AUTOMATICKÉ ROZMRAZOVANIE

Možete rozmrazovať maso, hydinu a morské plody. Čas rozmrazovania a výkon sa nastaví automaticky podľa nastavenej hmotnosti. Hmotnosť potravín, ktoré majú byť rozmrazené môže byť medzi 100 g a 2000 g.

**Príklad:** rozmrazenie 0.5kg zmrazeného mäsa

- Stlačením MICRO/GRILL zvolíte »DEF«.
- Vstupnú hmotnosť nastavíte stlačením tlačidla NAHOR a tlačidla DOLU.
- Stlačte START/RESET.

### 4. GRIL

**Grilovanie je vhodné hlavne pre tenké platky masa, rezne alebo steaky, masové kotlety, špizy, parky alebo kusky kurčáta. Grilovanie je vhodné na opekanie chleba alebo sendviča a dokončenie gratinovaných pokrmov.**

Táto funkcia má dve možnosti. Môžete si zvoliť z dvoch možností stlačením tlačidla MICRO/GRILL (najdlhší čas varenia je 60 minút):

**Možnosť 1:** 85% výkon grilu, zobrazenie G-1

**Možnosť 2:** 50% výkon grilu, zobrazenie G-2

**Príklad:** Varenie jedla pomocou grilu na 20 minút

- Stlačte MICRO/GRILL kým displej nezobrazí »G-1«.
- Nastavte dobu varenia na »20:00«.
- Stlačte START/RESET.

**POZNAMKA:** Pri grilovaní sa jedlo neohrieva mikrovlnami. Teplo sa šíri z kovového výhrevného telesa na hornej časti rúry. Pri prevádzke grilu sa doba varenia delí na 2 fázy. Po prvej fáze sa program automaticky zastaví a 2 krát pípne, čím signalizuje, aby ste otvorili dvierka rúry a otočili jedlo. Po otočení jedla dvierka zatvorte. Stlačte tlačidlo START/RESET a varenie bude pokračovať 2. fázou. Ak nechcete jedlo otočiť, rúra sa znovu spustí po 1 minútovej pauze.

### 5. KOMBINOVANÉ VARENIE

**U tohto spotrebiča môžete vybrať z dvoch možností kombinovanej prípravy jedla.**

**Možnosť 1:** Rúra bude pracovať 55 percent času s mikrovlnami a 45 percent s grilom. Tento režim je vhodný na prípravu ryb alebo gratinovaných pokrmov. Displej zobrazí »C-1«.

**Možnosť 2 :** Rúra bude pracovať 30 percent času s mikrovlnami a 70 percent s grilom. Tento režim je vhodný na varenie pudingu, soufflé, pečených zemiakov a hydiny. Displej zobrazí »C-2«.

**Príklad:** Varenie jedla pomocou možnosti 2 na 15 minút

- Stlačte MICRO/GRILL kým displej nezobrazí »C-2«.
- Nastavte dobu varenia na »15:00«.
- Stlačte START/RESET.

## 6. MENU AUTOMATIKY

**Pre potraviny v auto menu, ma byť nastavené len typ pokrmu a hmotnosť/množstvo. Mikrovlnna rura Vám pomôže pri nastavení času a výkonu.**

Potrebuje len zvoliť druh jedla a hmotnosť, a spotrebič vám pomôže automaticky nastaviť výkon a čas.

**Príklad:** Automaticke varenie ryby 0,4 kg

- Stláčajte tlačidlo AUTO MENU kým sa nezobrazí »A-5«.
- Zadajte hmotnosť stlačením tlačidla NAHOR a DOLU.
- Stlačte START/RESET.

Menu	Hmotnosť/ množstvo	Výkon	
A-1 Riža	100 - 500g	16 - 23min	80%
A-2 Zelenina	100 - 600g	2 - 7min 30sec	100%
A-3 Cestoviny	1 - 2	4min 30sec - 7min 40sec	100%
A-4 Mäso	200 - 1000g	7 - 19min	80%
A-5 Ryba	200 - 1000g	4 - 12min	80%
A-6 Kurča	200 - 1000g	14min 30sec - 34min	55%
A-7 Tekutiny	2 - 10dl	2 - 5min	100%
A-8 Popcorn	100g	3min 30sec	100%

## 7. HODINY

**Rura je vybavená digitálnymi hodinami. Keď je rura v pohotovostnom režime, stlačením tlačidla CLOCK nastavíte hodiny v 24 hodinovom formate.**

**Príklad:** Ak chcete nastaviť čas 8:30

- Stlačte tlačidlo CLOCK/TIMER. Displej začne blikať, nastavte hodinu pomocou tlačidiel NAHOR a DOLU.
- Stlačte znovu CLOCK/TIMER, nastavte minúty pomocou tlačidiel NAHOR a DOLU.
- Stlačte znovu CLOCK/TIMER a hodiny budú nastavené.

- d) Ak chcete zmeniť čas, zopakujte vyššie uvedený postup.

## 8. ČASOVAČ

**Tento vám umožní nastaviť mikrovlnnú rúru, aby začala, alebo skončila varenie v prednastavenom čase.**

Hodiny musia byť nastavené pred použitím tejto funkcie.

**Príklad:** Aktuálny čas je 16:30 a chcete spustiť varenie o 18:15 na 70% výkon na 10 minút

- Stlačte CLOCK/TIMER, nastavte čas na »18:15« stlačením tlačidiel NAHOR a DOLU.
- Stlačte MICRO/GRILL a zvolte 70% výkonu.
- Nastavte dobu varenia na 10 minút.
- Stlačte START/RESET

**POZNAMKA:** Ak nenastavíte výkon a dobu varenia a hneď stlačíte tlačidlo štart po nastavení času, spotrebič bude fungovať ako hodiny. O 18:15 10-krát pípne a spotrebič sa vypne.

## 9. DETSKÁ ZAMKA

**Použite na nechcenú obsluhu rúry malými deťmi. Indikátor detskej poistky sa zobrazí na displeji a rúru nie je možné ovládať.**


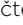
Zapnutie detskej poistky: V pohotovostnom režime držte stlačené 3 sekúnd tlačidlo ŠTART | PRERUŠENIE, zaznie zvukový signál a zobrazí sa indicator detskej poistky.

Vypnutie detskej poistky: Stlačte na 3 sekúnd tlačidlo ŠTART | PRERUŠENIE, pokiaľ z displeja nezmizne indicator detskej poistky.

## 10. ŠTART/RESET

- Počas prevádzky stlačením tlačidla START/RESET prevádzku zastavíte.
- Ak bol pred stlačením štartu nastavený akýkoľvek program, stlačenie tohto tlačidla zruší celý nastavený program.

## 11. ECO REŽIM - ÚSPORA ENERGIE

Stlačte spolu tlačidlo  a . Displej sa vypne a mikrovlnná rúra je v režime ECO, čo minimalizuje spotrebu energie.

Pre zrušenie ECO režimu a opätovné zapnutie displeja stlačte iné tlačidlo alebo otvorte/zatvorte dverka.

# STAROSTLIVOSŤ O VAŠU MIKROVLNNÚ RÚRU

1. Pred čistením vypnite rúru a odpojte sieťovú zástrčku z elektrickej zásuvky.
2. Interiér rúry udržiavajte čistý. Keď sa kúsky pokrmu a tekutín dostanú na steny rúry, utrite ich navlhčenou tkaninou. Neodporúčame používať nešetrné saponáty alebo brúsne čističe.
3. Exteriér rúry by ste mali čistiť navlhčenou tkaninou. Na zabránenie operačných častí vnútri rúry by sa nemala dostať voda do ventilačných otvorov.
4. Nedovoľte, aby namokol ovládací panel. Čistite jemnou mierne navlhčenou tkaninou. Na čistenie ovládacieho panelu nepoužívajte saponáty, brúsne čističe alebo sprejové čističe.
5. Ak sa para nahromadí vnútri alebo okolo vonkajšej časti dverí rúry, utrite ju jemnou tkaninou. Toto môže nastať, keď je rúra používaná v podmienkach s vysokou vlhkosťou a nie je indikovaná porucha zariadenia.
6. Niekedy je nutné vyčistiť otočný tanier. Umyte ho v teplej mydlovej vode alebo v umývačke riadu.
7. Valčekový prstenec a interiér rúry by mal byť pravidelne čistený na zabránenie nadbytočnému hluku. Spodnú plochu utrite jemným saponátom, vodou alebo čističom okien a osušte. Valčekový prstenec môže byť umytý v miernej mydlovej vode alebo v umývačke riadu. Počas opakovaného používania sa zbierajú v rúre výpary ale nijako neovplyvňujú spodnú plochu a kolieska valčekového prstenca. Keď vyberiete valčekový prstenec na čistenie, potom ho správne vložte späť.
8. Na odstránenie pachov s rúry použite pohár vody so šťavou a kôrou citróna v hlbokoj mise. Zapnite mikrovlnný ohrev na 5 minút, potom dôkladne utrite a osušte jemnou tkaninou.

## ŽIVOTNÉ PROSTREDIE

Nevyhadzujte spotrebič po ukončení životnosti s bežným domácim odpadom, ale odovzdajte ho v oficiálnej miestnej zberni na recykláciu. Týmto konaním pomôžete chrániť životné prostredie.

## INŠTALÁCIA

1. Skontrolujte, či ste odstránili všetky obalové materiály z vnútra dverí.
2. Po vybalení rúry skontrolujte, či nie je poškodená:
  - Nedosadenie dverí
  - Poškodenie dverí
  - Vydutia alebo diery v okne dverí alebo obrazovke
  - Vydutia vo vnútri rúryAk nájdete jedno z vyššie uvedených poškodení, NEPOUŽÍVAJTE rúru.
3. Mikrovlnná rúra váži 14,5 kg a musí byť umiestnená na silnom vodorovnom povrchu, ktorý unesie túto hmotnosť.
4. Rúru neumiestňujte na miestach s vysokou teplotou a parou.
5. Na rúru NEUMIESTŇUJTE žiadne predmety.
6. Pre dostatočnú ventiláciu nechajte po stranách rúry minimálne 20 cm a 30 cm na vrchole. Mikrovlnná rúra nesmie byť umiestnená v skrini.
7. NEODSTRAŇUJTE hnací hriadeľ otočného taniera.
8. Tak ako pri každom zariadení je pri používaní deťmi potrebný dozor.
9. Elektrická zásuvka musí byť ľahko dostupná, aby sa zariadenie dalo v núdzovej situácii jednoducho odpojiť. Druhou možnosťou je odpojiť rúru od napájania pomocou vypínača v pevnom vedení v súlade s elektrickými predpismi. Pripojte zariadenie k jednofázovému napájaniu striedavého prúdu 230 V/50 Hz prostredníctvom správne nainštalovanej uzemnenej sieťovej zásuvky. **VÝSTRAHA! TOTO ZARIADENIE MUSÍ BYŤ UZEMNENÉ!** Výrobca odmieta akúkoľvek zodpovednosť v prípade, že nedodržíte tieto bezpečnostné opatrenia.
10. Táto rúra požaduje 1.4 KVA pre jej vstup, pri inštalácii je odporúčané konzultácia s kvalifikovaným pracovníkom.

**UPOZORNENIE: Táto rúra je chránená vnútornou 250 V, 10 Amp poistkou.**

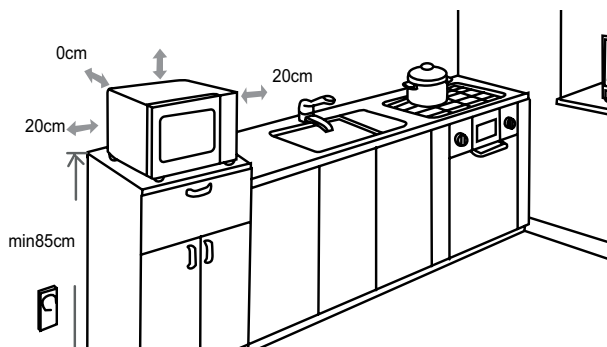
## TECHNICKÉ ÚDAJE

Spotreba energie.....	220-240V-50Hz, 1400W
Výkon.....	900W
Výkon grilu.....	1200W
Pracovná frekvencia.....	2450MHz
Vonkajšie rozmery 510mm(W) x 303mm(H) x 425mm(D)	
Obsah rúry.....	23 litrov
Hmotnosť.....	14,5 kg
Deklarovaná hodnota emisie hluku je.....	Lc < 58 dB (A)



**Toto zariadenie je označené podľa Európskej smernice 2012/19/EU o Došližitých elektrických a elektronických zariadení (WEEE). Táto smernica určuje v rámci Európskej únie pokyny pre vrátenie a recykláciu starých elektrických a elektronických zariadení.**

## INŠTALÁCIA



## RUŠENIE

Mikrovlnná rúra môže spôsobiť rušenie vášho rádia, TV alebo podobného zariadenia. Ak nastane toto rušenie môžete ho odstrániť alebo znížiť nasledovnými opatreniami.

- Vyčistite dvere a tesnenie rúry.
- Rádio, TV, atď. umiestnite čo najďalej od mikrovlnnej rúry.
- Na dosiahnutie silného signálu použite správne nainštalovanú anténu pre vaše rádio, TV, atď.

VYHRADZUJEME SI PRÁVO NA ZMENY, KTORÉ NEMAJÚ VPLYV NA FUNKČNOSŤ SPOTREBIČA

## SKÔR AKO SA OBRÁTITE NA SERVIS

1. Ak rúra nefunguje, displej nezobrazuje alebo zobrazenie zmizne:
  - a) Skontrolujte, či je rúra správne pripojená. Ak nie, odpojte zástrčku zo zásuvky, počkajte 10 sekúnd a opäť ju správne pripojte.
  - b) Skontrolujte poistky pre daný obvod a hlavný istič. Ak sa javia byť v poriadku, skúste skontrolovať zásuvku pripojením iného zariadenia.
  
2. Ak mikrovlnná energia nepracuje:
  - a) Skontrolujte, či sú nastavené hodiny.
  - b) Skontrolujte, či sú dvere správne zatvorené. Inak mikrovlnná energia nebude prúdiť do rúry.

**Ak sa podľa vyššie uvedených pokynov nepodarí odstrániť problém, obráťte sa na najbližší servis.**

Ak potrebujete informácie, alebo ak máte problém, sa spojte so strediskom pre starostlivosť o zákazníkov Gorenje vo vašej krajine (číslo telefónu nájdete na záručnom liste). Ak sa vo vašej krajine nenachádza stredisko pre starostlivosť o zákazníkov, navštívte miestneho predajcu Gorenje, alebo sa spojte servisné oddelenie spoločnosti Gorenje domáce spotrebiče.

V rámci jednej dizajnerskej línie sa môžu vyskytnúť rozdiely vo farebných odtieňoch rôznych spotrebičov alebo komponentov a to z rôznych príčin, ako sú: rôzne uhly, pod ktorými zariadenia vidíme, rôzne farebné pozadia, materiály alebo rôzne osvetlenie miestnosti.

### **Len pre použitie v domácnosti!**

Ďalšie doporučené pre pečenie v mikrovlnnej rúre s ďalšími užitočnými informáciami nájdete na web stránke:

<http://www.gorenje.sk>

**VEĽA RADOSTI PRI POUŽÍVANÍ SPOTREBIČAVÁM  
PRAJE**

# **gorenje**

Vyhradzujeme si právo na akékoľvek zmeny a chyby v návode na obsluhu.



**TISZTELT VÁSÁRLÓNK**

Köszönjük vásárlását. Bízunk benne, hogy hamarosan megbízhatónak fogja találni termékeinket. A készülék egyszerűbb használatának érdekében mellékeljük ezt a könnyen érthető használati utasítást.

A használati utasítás segítségével lesz a készülék megismerésében. Kérjük olvassa át fi gyelmesen a készülék első használata előtt.

Kérjük győződjön meg róla, hogy a készülék sértetlen állapotban érkezett-e meg Önhöz. Amennyiben szállítási sérülést vesz észre, vegye fel a kapcsolatot az értékesítővel vagy a területi raktárral, ahonnan az árut szállították. A telefonszámot megtalálja a számlán vagy a szállítólevélen.

Sok örömet kívánunk új háztartási készüléke használata során!



A készülék kizárólag a háztartásban való használatra készült, ételek és italok elektromágneses energia segítségével történő melegítésére. A készüléket csak zárt térben használjuk.

**HASZNÁLATI UTASÍTÁS**

Olvassa át figyelmesen a használati utasítást és őrizze meg, mert később is szüksége lehet rá.

A használati utasítás a készülék használójának szól. Benne ismertetésre kerül a készülék, valamint annak használata. Mivel különféle típusú készülékekhez készült, előfordulhat, hogy olyan funkciókat is leír, amelyekkel az Ön készüléke nem rendelkezik.



Soha ne érintsük meg főző, sütő vagy melegítésre használt háztartási készülékek felületét, mert azok működés közben felforrósodnak! Gondoskodjunk arról, hogy a kisgyerekek megfelelő távolságra legyenek a működő készülékektől. Égésveszély!



Mikrohullámok forrása/magasfeszültség! Tilos a készülék fedelének eltávolítása.

**FFIGYELMEZTETÉS!** A készülék, és annak hozzáférhető részei a használat során felforrósodhatnak.

Ügyeljen, hogy a készülék fűtőelemeit ne érintse meg.

A 8 évnél fiatalabb gyermekeket tartsa távol a készüléktől, vagy biztosítsa folyamatos felügyeletüket. 8 évnél idősebb gyerekek, csökkent fizikai-, értelmi-, vagy mentális képességű személyek, illetve megfelelő tapasztalatokkal és ismeretekkel nem rendelkező személyek felügyelet mellett, vagy akkor használhatják a készüléket, ha annak biztonságos üzemeltetéséről útmutatást kaptak, és a kapcsolódó kockázatokat megértették. Figyelni kell a gyermekekre, hogy ne játszanak a készülékkel. A készülék tisztítását és felhasználói karbantartását 8 évnél idősebb gyerekek végezhetik, de csak felügyelet mellett. Gondoskodjon arról, hogy 8 évesnél fiatalabb gyermekek ne férjenek hozzá a készülékhez és annak csatlakozókábeléhez.

- **FIGYELEM:** Amikor a készülék kombinált üzemmódban működik, a keletkező igen magas hőmérsékletek miatt a gyerekek csak felnőttek gondos felügyelete mellett használhatják a készüléket (csak a grill funkcióval rendelkező készülékek esetében).

- **FIGYELEM:** Ha az ajtó, vagy annak tömítései megsérültek, a készüléket nem szabad használni mindaddig, amíg a sérüléseket a szerelő ki nem javította.
- **FIGYELEM:** Minden olyan javítás vagy szerelés, amelyet nem a szakszerviz végez, és amely során eltávolításra kerül a mikrohullámokkal szembeni védelmet szolgáló fedél, veszélyes és kockázatos.
- **FIGYELEM:** folyadékokat vagy más ételeket ne melegítsünk zárt edényekben vagy lezárt csomagolásban, mert ezek könnyen felrobbanhatnak.
- Ne távolítsuk el a sütő lábait és ne fedjük be a szellőző nyílásokat.
- Csak mikrohullámú sütőben való használatra alkalmas eszközöket használjunk.
- Ha műanyag, vagy papír edényekben vagy csomagolásban melegítünk ételeket, felügyeljük a folyamatot, mivel az ilyen csomagolás, illetve edény kigyulladhat.
- A füstöt észlelünk, kapcsoljuk ki a készüléket, húzzuk ki a villásdugót a konnektorból, a sütő ajtaját pedig hagyjuk becsukva, hogy elfojtsuk az esetleges lángokat.
- A italt melegítünk a mikrohullámú sütőben, bizonyos idő elteltével az felforrhat és kifuthat, ezért ilyen esetekben legyünk különösen elővigyázatosak.
- Az égésveszély elkerülése érdekében használat előtt keverjük fel vagy rázzuk össze a bébiételes üvegek tartalmát, valamint ellenőrizzük azok hőfokát.
- A mikrohullámú sütőben ne melegítsünk héjas tojásokat, vagy egész főtt tojásokat, mert azok könnyen felrobbanhatnak, azt követően is, hogy a sütőben való melegítést már befejeztük.

- Az ajtó, a tömítések, illetve sütő belső felületének tisztításához használjunk kímélő (nem súroló) tisztítószeret. Ezeket szivaccsal vagy puha ruhával vigyük fel a felületekre.
- A sütőt tisztítsuk rendszeresen és távolítsuk el az esetleges ételmaradékokat.
- A sütőt nem tartjuk karban és nem tisztítjuk rendszeresen, a felületei elhasználódhatnak, ami negatív hatással van a készülék élettartamára és megnöveli a veszélyek kockázatát a sütő használata során.
- Ha a csatlakozó kábel sérült, azt a veszélyek elkerülése érdekében csak a gyártó, vagy a szakszerviz, illetve megfelelően képzett szakember cserélheti ki.
- Ne hagyja a hálózati kábelt az asztal vagy a munkalap széle alá lógni.
- A veszélyes helyzetek elkerülése érdekében a készüléket ne csatlakoztassa külső időzítőkapcsolóra, vagy távvezérlőrendszerre.
- Ne próbálja saját maga kicserélni a sütő lámpáját, és ne engedje meg más a szervizközpont által nem felhatalmazott személynek sem.
- **FIGYELMEZTETÉS:** Ne használjon általános forgalomban lévő tisztítószeret, gőztisztító berendezést, éles eszközöket, durva tisztítószeret, semmiféle nátriumhidroxid tartalmú szert vagy súroló eszközt a mikrohullámú sütő egyetlen részének tisztításához sem.

A folytatásban kerülnek felsorolásra azok a szabályok és biztonsági intézkedések, amelyeket – hasonlóan más készülékek használatához – be kell tartani ahhoz, hogy a sütő biztonságosan és hatékonyan működjön:

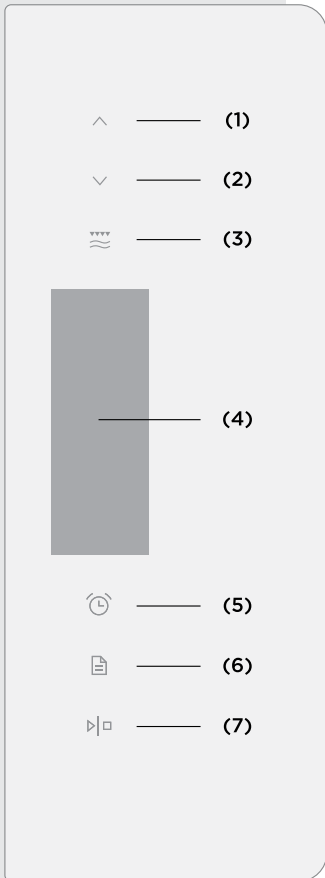
1. A sütő működése közben az üveglap, a henger karjai, az összekötő és a henger tartója mindig legyenek a helyükön.
2. A sütőt ételkészítésen kívül semmilyen más célra ne használjuk: ne szárítsunk benne ruhát, papírt vagy más tárgyat és ne használjuk sterilizálásra.
3. Üres állapotban soha ne kapcsoljuk be a sütőt, mert ezzel kárt okozhatunk benne.
4. Ne tároljunk semmit a sütő belsejében, pl. papírt, szakácskönyveket, stb.
5. Ne készítsünk a sütőben olyan ételt, amely membránréteggel van bevonva: pl. tojássárgája, burgonya, csirkemáj, stb., úgy, hogy előzetesen nem szűrjük át a membránt több helyen villával.
6. Ne tegyünk semmilyen tárgyakat a sütő külső részén található nyílásokba.
7. Soha ne távolítsuk el a sütő részeit, pl. a lábakat, a reteszt, a csavarokat, stb.
8. Ne készítsünk ételt közvetlenül az üveglapon. Mielőtt az ételt a sütőbe helyeznénk, tegyük megfelelő edénybe vagy hasonló segédeszköze.

**FONTOS:** A mikrohullámú sütőben nem használhatók a következő konyhai eszközök:

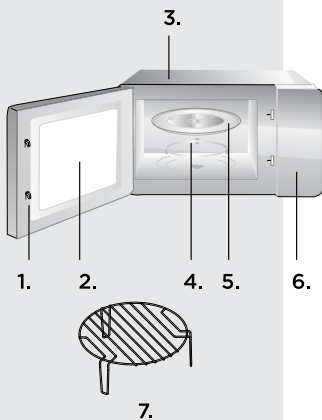
- Ne használjunk fém edényeket, vagy fém füllel rendelkező edényeket.
  - Ne használjunk fém szegéllyel ellátott edényeket.
  - Ne használjunk papírral bevont fém huzalokat a műanyag zacskók lezárására.
  - Ne használjunk melaminből készült edényeket, mivel azok olyan anyagot tartalmaznak, amely magába szívja a mikrohullámú energiát. Ennek következtében az edény szétrepedhet vagy megéghet, emellett pedig a melegítés / főzés lassabb lesz.
  - Ne használjunk olyan edényeket, amelyek nem rendelkeznek megfelelő bevonattal mikrohullámú sütőben való használatra. Ugyanígy ne használjunk lefedett, füles csészéket.
  - Ne készítsünk ételt, illetve italt olyan edényben, amely felül összeszűkül (pl. üvegalack), mert az melegítés közben megrepedhet.
  - Ne használjunk hagyományos hőmérőket a húsokhoz vagy édességekhez. Csak olyan hőmérőket használjunk, amelyek alkalmasak mikrohullámú sütőben való használatra.
9. A mikrohullámú sütőhöz való segédeszközöket csak gyártójuk utasításainak megfelelően használjuk.

10. Ne próbáljunk a mikrohullámú sütőben kirántani ételeket.
11. Ügyeljünk arra, hogy a mikrohullámú sütőben csak a folyadék melegedjen fel, és ne az edény is, amelyben van. Lehetséges, hogy azután, hogy eltávolítottuk a fedelet, az edényben lévő folyadékból pára csapódik ki, vagy cseppek fröccsennek ki belőle akkor is, ha maga a fedél nem forró.
12. Használat előtt mindig ellenőrizzük az étel hőmérsékletét, különösen, ha gyerekeknek szeretnénk adni. Javasolt az ételt/italt nem azonnal elfogyasztani a sütőből való kivétel után, hanem néhány percig állni hagyni és lehetőség szerint felkeverni, hogy a hőmérséklet egyenletesen eloszoljon benne.
13. Az olyan étel, ami zsír és víz keverékét tartalmazza, pl. leves-alap, a sütő kikapcsolása után maradjon körülbelül 30-60 másodpercig még a sütőben. Ezáltal lehetővé válik, hogy a keverék leülepedjen és megelőzhetjük azt, hogy buborékok képződjenek, amikor kanállal a folyadékba nyúlunk, vagy amikor beledobjuk a leveskockát.
14. Az ételkészítés során ügyeljünk arra, hogy egyes ételtípusok, pl. karácsonyi puding, lekvár vagy darált hús, nagyon gyorsan felmelegszenek. Amikor nagy zsír- vagy cukortartalmú ételt melegítünk vagy főzünk, ne használjunk műanyag edényt.
15. A mikrohullámú sütőben való ételkészítés során használt segédeszközök erősen felmelegedhetnek, mivel az étel hő ad le. Ez különösen érvényes abban az esetben, ha az edény teteje és füle műanyag fedővel vannak bevonva, vagy műanyag bevonattal rendelkeznek. Az ilyen edényekhez szükséges lehet konyhai kesztyű használata.
16. A sütő belsejében esetlegesen fellépő tűzveszély csökkentése érdekében:
  - a) ügyeljünk arra, hogy ne főzzük az ételleket túl hosszú ideig. Felügyeljük a melegítés folyamatát, ha a sütőben papír, műanyag vagy más gyúlékony anyagból készült segédeszközök vannak.
  - b) Mielőtt a zacskót a sütőbe tesszük, távolítsuk el az azt lezáró fémhuzalokat.
  - c) Ha a sütőben lévő tárgy kigyullad, hagyjuk zárva a sütő ajtaját, kapcsoljuk ki a készüléket, húzzuk ki a villásdugót a konnektorból, vagy kapcsoljuk ki a biztosíték-tábla fő biztosítékát.
17. A készülék háztartásban és hasonló környezetben való használatra készült, ilyenek lehetnek a következők:
  - személyzeti konyhák üzletekben, irodákban és más munkakörnyezetekben,
  - tanyák;
  - vendégek részére kialakított szálláshelyek hotelekben, motelekben és más létesítményekben;
  - bed and breakfast típusú létesítményekben.

## A SÜTŐ ÁBRÁJA



1. Fel (+)
2. Le (-)
3. Sütési mód kiválasztása - Micro/Grill
4. Kijelző
5. Óra / Időzítés - Clock/Timer
6. Menüválasztás / Auto menü
7. Start/Reset



1. Ajtózár
2. Sütő ablak
3. Szellőző rácsok, vagy szellőztető ventilátor
4. A tálca szegélye
5. Üveg tálca
6. Vezérlő egység
7. Grill rács

## 1. GYORS INDITAS

**E funkció lehetővé teszi az ételek gyors felmelegítéset vagy megfőzést (100% mikrohullamu teljesítménnyel). Ha keszenletli üzemmódban megnyomja a START gombot, a sütő 60 másodpercig fog működni.**

**Példa:** Egy pohár tej felmelegítése

- Helyezzünk egy pohár tejet az üveg forgótálcára és csukjuk be a sütő ajtaját.
- Nyomjuk meg a START/RESET gombot, ezzel a mikrohullámú sütő 1 percen át 100% teljesítménnyel fog működni.
- Amint a melegítés befejeződött, öt sípszót fogunk hallani.

**MEGJEGYZÉS:** A FEL gomb ismételt megnyomására a működés időtartama 30 perccel meghosszabbodik valamennyi program esetében, kivéve az automatikus üzemmódot, a többlépéses főzést és az automatikus kilvasztás üzemmódot.

## 2. MELEGÍTÉS MIKROHULLÁMOKKAL

**E funkció két lehetősége kínál:**

**a) Gyors melegítés mikrohullámokkal (100% teljesítmény)**

**Példa:** Főzés 100% teljesítménnyel 5 percig

- Állítsuk az időtartamot »5:00«-re.
- Nyomjuk meg a START/RESET gombot.

**b) Gyors melegítés mikrohullámokkal, kézi vezérléssel**

**Példa:** Az étel melegítése 600 W-on 10 percig

- Nyomjuk meg a MICRO/GRILL gombot és válasszuk ki a 70%-os fokozatot.
- Állítsuk be az időtartamot »10:00«-re.
- Nyomjuk meg a START/RESET gombot.

**5 melegítési fokozatot állíthatunk be, a leghosszabb működési idő pedig 60 perc.**

Gombnyomások száma "MICRO/GRILL"	A mikrohullámú sugarak teljesítménye	Felirat a kijelzőn
1	100%	P100
2	70%	P70
3	50%	P50
4	30%	P30
5	10%	P10



### 3. AUTOMATIKUS KIOLVASZTÁS TÖMEG ALAPJÁN

A sütő lehetővé teszi husok, csirke és tengeri etekek kiolvasztását is. A kiolvasztás időtartama és a működési teljesítmény automatikusan kerül megválasztásra, a beállított tömegnek megfelelően. A kiolvasztando étel tömege 100 g és 2000 g között lehet.

**Példa:** 0,5 kg fagyasztott hús kiolvasztása

- A MICRO/GRILL gomb megnyomásával válasszuk ki a »DEF« funkciót.
- Az FEL gomb valamint a LE gomb segítségével vigyük be a tömeget.
- Nyomjuk meg a START/RESET gombot.

### 4. GRILL

**A grill funkció különösen ideális vékony húszeletek, steakok, húsdarabok, nyarsak, kolbaszok vagy csirkedarabok sütésére. A grill funkció segítségével készíthető piritos kenyér vagy melegszendvics, illetve megpirítható a gratinrozott etekek teteje.**

Ez a funkció két opcióval rendelkezik. A kettő között a MICRO/GRILL gomb megnyomásával választhatunk (a leghosszabb főzési idő 60 perc):

- 1. opció:** 85% grill teljesítmény, a kijelzőn: G-1
- 2. opció:** 50% grill teljesítmény, a kijelzőn: G-2

**Példa:** Ét elkészítés grillel 20 percig

- Nyomjuk meg a MICRO/GRILL gombot, amíg a kijelzőn meg nem jelenik a »G-1« jelzés.
- Állítsuk be a főzési időt: »20:00«.
- Nyomjuk meg a START/RESET.

**MEGJEGYZÉS:** Grillezéskor az ételt nem mikrohullámok melegítik. A hőt a sütő tetején elhelyezett fém melegítő sugározza. A grill működése közben a főzési idő 2 fázisra oszlik; az 1. fázist követően a program automatikusan szünetet tart és két sípolás lesz hallható, ami arra figyelmeztet, hogy nyissuk ki a sütőt és fordítsuk meg az ételt. Ezt követően csukjuk be a sütő ajtaját. Nyomjuk meg a START/RESET gombot és az ételkészítés folytatódik a 2. fázissal. Ha nem kívánjuk megfordítani az ételt, 1 perc szünet után a sütő automatikusan újra indul.

### 5. KOMBINÁLT FŐZÉS

Ezzel a készülékkel két főzési kombináció közül választhat:

**1. opció:** A sütő a beállított időtartam 55 százalékaig mikrohullámmal fog működni, a fennmaradó 45%-ban pedig grillezni fog. Ez a működési mód ideális halak vagy

gratinírozott ételek elkészítéséhez. A kijelzőn a »C-1« jelzés látható.

**2. opció:** A sütő a beállított időtartam 30 százalékaig mikrohullammal fog működni, a fennmaradó 70%-ban pedig grillezni fog. Ez a működési mód ideális pudingok, felfújtak, omlettek, sult burgonya és csirke készítéséhez. A kijelzőn a »C-2« jelzés látható.

**Példa:** Ételkészítés a 2. opcióval 15 percig

- Nyomjuk meg a MICRO/GRILL gombot, amíg a kijelzőn meg nem jelenik a »C-2« jelzés.
- Állítsuk be a főzési időt »15:00«-re.
- Nyomjuk meg a START/RESET gombot.

## 6. AUTO-MENÜ

Auto menu üzemmódban csak be kell állítani az étel típusát és tömegét. A teljesítményt és az időtartamot a sütő maga határozza meg a beállított tömeg alapján.

**Példa:** 0.4 kg hal elkészítése

- Nyomjuk meg a AUTO MENU gombot, amíg a kijelzőn meg nem jelenik a következő: »A-5«.
- Írjuk be az étel tömegét az FEL és a LE gombok segítségével.
- Nyomjuk meg a START/RESET gombot.

Menü	Tömeg / mennyiség	Mikrohullámú teljesítmény	
A-1 Rizs	100 - 500g	16 - 23min	80%
A-2 Zöldség	100 - 600g	2 - 7min 30sec	100%
A-3 Tészta	1 - 2	4min 30sec - 7min 40sec	100%
A-4 Hús	200 - 1000g	7 - 19min	80%
A-5 Hal	200 - 1000g	4 - 12min	80%
A-6 Csirke	200 - 1000g	14min 30sec - 34min	55%
A-7 Folyadék	2 - 10dl	2 - 5min	100%
A-8 Pattogatott kukorica	100g	3min 30sec	100%

---

## 7. ÓRA

**A sütő digitális orával van ellátva. Az idő 24 oras formátumban állítható be a CLOCK gomb megnyomásával akkor, ha a sütő keszenleti üzemmódban van.**

**Pelda:** A beállítando napi idő 8:30

- Nyomjuk meg a CLOCK/TIMER gombot – a kijelző ekkor villogni kezd. Állítsuk be az órát az FEL és a LE gombok segítségével.
- Nyomjuk meg ismét a CLOCK/TIMER gombot, majd állítsuk be a perceket az FEL és a LE gombok segítségével.
- Nyomjuk meg újra a CLOCK/TIMER gombot – ezzel az óra beállításra került.
- Az idő megváltoztatásához a fenti folyamatot kell megismételniünk.

---

## 8. IDŐZÍTŐ

**Az időzítő lehetővé teszi, hogy a mikrohullámú sütő működésének kezdetét vagy végét előre beállítsuk.**

E funkció használata előtt mindenképp állítsuk be az órát.

**Pelda:** Az aktuális idő 16:30 és 18:15-kor szeretnénk megkezdeni a főzést 70%-os teljesítménnyel, 10 percig

- Nyomjuk meg a CLOCK/TIMER gombot, állítsuk az időt »18:15«-re az FEL és a LE gombok segítségével.
- Nyomjuk meg a MICRO/GRILL gombot és válasszuk ki a 70%-os teljesítményt.
- Állítsuk be a főzési időt 10 percre.
- Nyomjuk meg a START/RESET gombot.

**MEGJEGYZÉS:** Ha nem állítjuk be a teljesítményt és a főzési időt, mielőtt megnyomnánk a start gombot, a készülék csak óráként fog működni. 18:15-kor 10 sípolást fogunk hallani és a sütő kikapcsol.

---

## 9. GYEREKZÁR

**A funkció segítségével megelőzhetjük, hogy kis gyerekek felügyelet nélkül használják a sütőt. Amíg a gyerekzár be van kapcsolva, a sütő nem működtethető, a kijelzőn pedig világít a gyerekzár (CHILD LOCK) jelfénye.**

A gyerekzár beállítása: Készenléti üzemmódban nyomjuk meg és tartjuk lenyomva a START | PAUSE gombot 3 másodpercig. Ekkor sípolás lesz hallható és a gyerekzár jelfénye kigyullad.

A gyerekzár kikapcsolása: nyomjuk meg és tartjuk lenyomva a START | PAUSE gombot 3 másodpercig, amíg a gyerekzár jelfénye ki nem alszik.

---

## 10. START/RESET

- a) Ha a készülék működése közben megnyomjuk a START/RESET gombot, a sütő működése leáll.
- b) Ha a start gomb megnyomása előtt valamilyen programot állítottunk be, a gomb újbóli megnyomására a program törlődik.

---

## 11. ECO FUNKCIÓ - ENERGIATAKARÉKOSSÁG

Nyomja meg egyszerre az  $\wedge$  ÉS az  $\vee$  gombokat, kikapcsolásra kerül a kijelző és a készülék Eco üzemmódra vált, ami minimalizálja az energia-felhasználást. Az Eco üzemmódból való kilépéshez és a kijelző ismételt bekapcsolásához nyomja meg bármely gombot vagy nyissa ki, illetve zárja be a készülék ajtaját.

1. Tisztítás előtt kapcsoljuk ki a mikrohullámú sütőt és húzzuk ki a villásdugót a konnektorból.
2. A sütő belsejét tartjuk mindig tisztán. Ha ételmaradék, az ételből kifröccsenő szaft, vagy kiömlött folyadék szárad rá a sütő falaira, azt nedves rongy segítségével távolítsuk el. Erős tisztítószer, súrolószer használata nem javasolt.
3. A sütő külső felületét nedves ruhával tisztíthatjuk. Hogy meg ne sértsük a készülék belső részeit, ügyeljünk arra, hogy ne folyjon be víz a szellőzőnyílásokon.
4. Ügyeljünk rá, hogy a vezérlő panel ne legyen nedves. Puha, nedves ruhával tisztítsuk. A vezérlő panel tisztításához ne használjunk erős tisztítószeret, súrolószereket vagy tisztító sprayket.
5. Ha a készülék belsejében vagy háza körül pára gyűlik fel, nedves ruhával töröljük le. Ez akkor történhet meg, ha a sütőt nagyon nedves helyiségben használjuk és nem jelenti azt, hogy a sütő meghibásodott.
6. Időnként ki kell venni az üveg tányért is és meg kell tisztítani. Tisztíthatjuk meleg vízzel, egy kis tisztítószer hozzáadásával, vagy mosogatógépben.
7. A görgős gyűrűt és a sütő alját (alsó lemez) rendszeresen tisztítani kell, egyébként a sütő működése zajos lesz. A sütő belsejének alsó lapját egyszerűen töröljük át kímélő tisztítószerrel, vízzel vagy ablaktisztítóval, majd szárítsuk meg. A görgős gyűrűt tisztíthatjuk meleg vízben, egy kis tisztítószer hozzáadásával, vagy mosogatógépben. Hosszabb használat után a gyűrű görgőin a főzéstől pára gyűlhet fel, ez azonban nincs kihatással a sütő működésére. Ha eltávolítjuk a görgős gyűrűt a sütőből, ügyeljünk arra, hogy megfelelően helyezzük vissza.
8. Az esetleges kellemetlen szagokat úgy távolíthatjuk el a sütőből, hogy egy mély, mikrohullámú sütőben használható edénybe beleöntünk egy pohár vizet és hozzáadjuk egy citrom levét és héját. Ezt követően az edényt 5 percre a sütőbe helyezzük és bekapcsoljuk a sütőt. Ezután alaposan szárítsuk meg a sütő belsejét és töröljük ki puha ruhával.

### KÖRNYEZETVÉDELEM

A feleslegessé vált készülék szelektív hulladékként kezelendő. Kérjük, hivatalos újrahasznosító gyűjtőhelyen adja le, így hozzájárul a környezet védelméhez.

## ELHELYEZÉS

1. Ellenőrizzük, hogy az ajtó belső részéről eltávolítottunk-e minden csomagolóanyagot.
  2. A csomagolás eltávolításakor vizsgáljuk meg a sütőt, nem láthatóak-e rajta sérülések, például:
    - lógó ajtó,
    - sérült ajtó,
    - horpadások vagy lyukak az ajtó üvegében (ablakában), valamint a kijelzön,
    - horpadások a sütő belsejében.Ha a fenti sérülések bármelyikét észleljük, ne használjuk a sütőt.
  3. A mikrohullámú sütő tömege körülbelül 14,5 kg. Olyan vízszintes felületen helyezzük el, amely elég erős ahhoz, hogy megtartsa a sütőt.
  4. A sütőt hő- és pára-forrásoktól távol helyezzük el.
  5. Ne tegyünk semmit a sütőre.
  6. A megfelelő szellőzés biztosítása érdekében a sütő két oldalán legalább 20 cm, fölötté pedig legalább 30 cm res kell hogy legyen. Ne építse be vagy zárja a konyhaszekrénybe.
  7. Ne távolítsuk el a forgó alátét hajtótengelyét.
  8. Mint minden más készülék esetében, itt is gondos felügyeletre van szükség, ha a sütőt gyerekek használják.
- FIGYELEM: A KÉSZÜLÉKET FÖLDELNI SZÜKSÉGES.**
9. A konnektor, amelyikbe a készüléket csatlakoztatjuk, könnyen elérhető kell, hogy legyen.
  10. A sütőnek 1,4 kVA bemeneti teljesítményre van szüksége. A sütő elhelyezésekor javasolt szerelővel vagy megfelelő szakemberrel konzultálni.

**FIGYELEM: A sütő saját védelemmel, 250 V, 10 A biztosítókkal rendelkezik.**

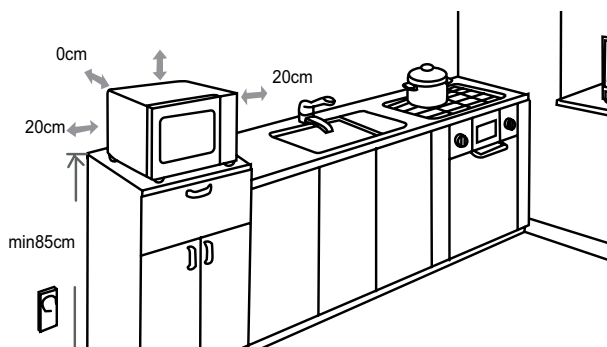
## SPECIFIKÁCIÓ

Energia-felhasználás.....	220-240V-50Hz, 1400W
Kimeneti teljesítmény.....	900W
Grill-égő .....	1200W
Működési frekvencia.....	2450MHz
Külső méretek .....	510mm(Sz) x 303mm(M) x 425mm(M)
Sütő-űrtartalom.....	23 liter
Tömeg csomagolás nélkül.....	Kb 14,5kg
Zajkibocsátás .....	Lc < 58 dB (A)



**A készülék a hulladék elektromos és elektronikus felszerelésekről szóló 2012/19/EU (WEEE) direktívának megfelelően jelölve van. A direktíva meghatározza a hulladék elektromos és elektronikus felszerelések gyűjtésével és kezelésével kapcsolatos, az Európai Unióban érvényes követelményeket.**

## A BEÉPÍTÉS MENETE



## RÁDIÓ-ZAVAROK (INTERFERENCIA)

A mikrohullámú sütő vételi zavarokat okozhat a rádió- és televízió-készülékeknél, valamint hasonló szerkezeteknél. Amennyiben ilyen jellegű zavar (interferencia) lép fel, azt a következő módokon lehet elhárítani vagy csökkenteni:

- Tisztítsuk meg a sütő ajtaját és tömítéseinek felületét.
- Helyezzük a rádió- vagy televízió-készüléket minél messzebb a sütőtől.
- A rádió- illetve televízió-készülékhez használjunk megfelelően elhelyezett antennát, amely a jelek erős vételét teszi lehetővé.

A KÉSZÜLÉK FUNKCIONALITÁSÁT NEM  
BEFOLYÁSOLÓ VÁLTOZTATÁSOK JOGÁT  
FENNTARTJUK.

1. Ha a sütő egyáltalán nem működik, ha a kijelzőn semmi nem jelenik meg, vagy ha a kijelző kikapcsol:
  - a) Ellenőrizzük, hogy a sütő megfelelően csatlakoztatva van-e az elektromos hálózathoz. Ha nincs, húzzuk ki a villásdugót a konnektorból, várjunk 10 másodpercet és dugjuk be újból.
  - b) Ellenőrizzük, hogy az elektromos hálózatban nem égett-e ki egy biztosíték, illetve hogy a főbiztosítéknál nem szakadt-e meg az áram-ellátás. Ha a biztosítékokon nem látható semmilyen hiba, próbáljuk ki a villásdugót valamilyen más készülékkel.
2. Ha a mikrohullámú sütő nem melegít, azaz nem ad le mikrohullámú energiát:
  - a) Ellenőrizzük, hogy a programozó óra megfelelően van-e beállítva.
  - b) Ellenőrizzük, hogy az ajtó megfelelően be van-e csukva. Ha nincs, nem fog mikrohullámú energia felszabadulni.

**Ha a fenti tanácsok segítségével sem tudtuk elhárítani a hibát, vegyük fel a kapcsolatot a legközelebbi szakszervizzel.**



Ha információra van szüksége, vagy forduljon az adott ország Gorenje vevőszolgálatához (a telefonszámot megtalálja a világszerte érvényes garancialevélen). Ha országában nem működik vevőszolgálat, forduljon a Gorenje helyi szaküzletéhez vagy a Gorenje háztartási kisgépek és szépségápolási termékek üzletágának vevőszolgálatához.

Az azonos design termékcsaládhoz tartozó különböző készülékek vagy azok alkotórészeinek színárnyalata közti esetleges eltéréseket olyan különböző tényezők okozhatják, mint pl. az eltérő szög, amelyből a készüléküket nézzük, háttérük eltérő színe, anyaguk valamint a tér megvilágítása.

### **Csak személyes használatra!**

Kiegészítő sütési javaslatokat és egyéb hasznos információkat a mikrohullámu sütőhöz megtalálhatja a következő web-oldalon: <http://www.gorenje.hu>

**SOK ÖRÖMET KÍVÁN ÖNNEK MIKROHULLÁMÚ SÜTŐJE HASZNÁLATA SORÁN!**

# **gorenje**

Fenntartjuk a módosítások és hibák jogát a használati utasításban.

## SZANOWNI PAŃSTWO

Dziękujemy za zaufanie jakim obdarzyliście nas Państwo, kupując nasz piekarnik. Przekonajcie się Państwo sami, że na naszych wyrobach możecie polegać. Abyście Państwo łatwiej zrozumieli działanie urządzenia, dodaliśmy dokładnie napisaną instrukcję obsługi.

Instrukcja ta powinna Wam ułatwić zaznajomienie się z Waszym nowym urządzeniem. Prosimy, abyście przed pierwszym uruchomieniem urządzenia dokładnie przeczytali instrukcję obsługi.

Prosimy o sprawdzenie czy urządzenie, które otrzymaliście jest nieposzkodowane. W przypadku uszkodzenia powstałego podczas transportu, należy zwrócić się do sprzedawcy u którego urządzenie zostało kupione lub do okręgowego magazynu skąd urządzenie zostało dostarczone. Numer telefonu, znajdziecie Państwo na rachunku lub kwicie dostawy.

Życzymy Państwu wiele zadowolenia przy użytkowaniu Waszego nowego urządzenia.



Urządzenie przeznaczone jest do użytku w gastronomii. Oddziaływaniem energii elektromagnetycznej, służy wyłącznie do podgrzewania żywności oraz napojów. Kuchenki należy używać tylko w zamkniętych pomieszczeniach.

## INSTRUKCJA OBSŁUGI

Dokładnie zapoznać się z instrukcją i zachować ją do późniejszego wykorzystania.

Instrukcja obsługi przeznaczona jest dla użytkownika. Zawiera opis urządzenia i sposób jego użytkowania. Instrukcja odnosi się do różnych typów urządzeń dlatego też może zawierać opisy funkcji, których urządzenie państwa nie posiada.

## WAŻNE WSKAZÓWKI BEZPIECZEŃSTWA



Nigdy nie dotykaj powierzchni ogrzewania lub urządzenia do gotowania. Staną się nagrzewa podczas pracy. Trzymaj dzieci w bezpiecznej odległości. Istnieje ryzyko spalania!



Źródło promieniowania mikrofal i wysokiego napięcia. Nie zdejmować obudowy.

**OSTRZEŻENIE!** Urządzenie i jego dostępne części nagrzewają się podczas użytkowania. Należy użytkować urządzenie ostrożnie, aby ich nie dotykać. Dzieci poniżej 8 roku życia nie powinny zbliżać się do urządzenia bez ciągłego nadzoru. Urządzenie może być użytkowane przez dzieci powyżej 8 roku życia oraz osoby o ograniczonych możliwościach fizycznych lub umysłowych, przez osoby niedoświadczone lub o niewystarczającej wiedzy pod warunkiem, że korzystają z urządzenia pod nadzorem lub zostały poinstruowane w zakresie bezpiecznej obsługi urządzenia i znają niebezpieczeństwa związane z użytkowaniem urządzenia. Należy dopilnować, aby dzieci nie bawiły się urządzeniem. Dzieci powyżej 8 roku życia nie mogą czyścić i przeprowadzać konserwacji urządzenia bez nadzoru. Dzieci poniżej 8 roku życia nie powinny zbliżać się do urządzenia raz przewodu zasilającego.

- **UWAGA:** Podczas korzystania z funkcji mikrofales + grill dochodzi do znacznego wzrostu temperatury. W tym wypadku zaleca się, by dzieciom podczas użytkowania kuchenki towarzyszyła osoba dorosła (tylko dla kuchenek posiadających funkcję grilowania).
- **UWAGA:** Jeśli uszkodzone są drzwiczki lub powierzchnie uszczelniające, kuchenka nie powinna być uruchamiana do czasu jej naprawy przez wykwalifikowaną osobę.

- **UWAGA:** Wykonywanie jakichkolwiek czynności serwisowych lub naprawczych związanych ze zdejmowaniem którejkolwiek z pokryw lub części obudowy, dających osłonę przed energią mikrofalową jest niebezpieczne dla każdego i łączy się z ryzykiem. Dlatego tego rodzaju czynności powinna dokonywać wyłącznie osoba wykwalifikowana.
- **UWAGA:** Cieczy i innych artykułów żywnościowych nie wolno ogrzewać w szczelnych pojemnikach, gdyż są one podatne na eksplozję.
- Usuwanie nóżek kuchenki oraz pokrywanie odwietrzników jest zabronione.
- Do gotowania należy używać wyłącznie naczyń i przyrządów specjalnie przeznaczonych do zastosowania w kuchenkach mikrofalowych.
- Podczas podgrzewania żywności w pojemnikach plastikowych lub papierowych, należy często sprawdzać proces gotowania ze względu na możliwość zapłonu pojemników.
- W przypadku pojawienia się dymu, wyłączyć kuchenkę lub odłączyć ją od sieci zasilania i nie otwierać drzwiczek, by stłumić możliwe płomienie.
- Mikrofalowe podgrzewanie napojów może powodować opóźnione nagłe wykipienie, dlatego też zaleca się uważne manipulowanie naczyniami w których były one podgrzewane.
- Po podgrzaniu pożywienia dla dzieci (niemowląt) w butelkach lub słoikach (bez zakrętki i smoczka), należy zawartość dobrze wymieszać lub wstrząsnąć. Przed podaniem pożywienia należy sprawdzić jego temperaturę, aby uniknąć możliwości oparzeń.
- Nie należy gotować jajek w skorupie ani podgrzewać ugotowanych jajek na twardo, gdyż mogą pęknąć, nawet

po zakończonym już podgrzewaniu.

- Do czyszczenia drzwiczek kuchenki, powierzchni uszczelniających oraz wnętrza, należy używać łagodnych środków czyszczących oraz gąbek lub miękkich szmatek.
- Kuchenkę mikrofalową należy systematycznie i dokładnie czyścić, oraz usunąć z jej wnętrza resztki jedzenia.
- Nieregularna pielęgnacja kuchenki mikrofalowej może spowodować uszkodzenia jej powierzchni, co z kolei może ujemnie wpłynąć na wiek trwania urządzenia, oraz może wywołać niebezpieczeństwo.
- W przypadku uszkodzenia przewodu zasilającego, wymiany może dokonać producent, autoryzowany serwis lub odpowiednio do tego celu wykwalifikowana osoba.
- Nie pozostawiaj przewodu sieciowego zwisającego z krawędzi stołu lub blatu kuchennego.
- W celu uniknięcia niebezpiecznych sytuacji nie należy podłączać tego urządzenia do zewnętrznego włącznika czasowego lub układu zdalnego sterowania.
- Nie należy samodzielnie wymieniać lampy kuchenki ani zezwalać na wykonanie tej czynności osobie nieautoryzowanej przez serwis. W przypadku awarii lampy kuchenki należy skontaktować się ze sprzedawcą lub autoryzowanym serwisem GORENJE.
- **OSTRZEŻENIE:** Do czyszczenia kuchenki mikrofalowej nie należy używać dostępnych w sprzedaży środków czyszczących do kuchenek, urządzeń do czyszczenia parowego, środków ściernych, druciaków, agresywnych środków czyszczących, środków zawierających wodorotlenek sodu.

## WSKAZÓWKI DOTYCZĄCE BEZPIECZNEGO UŻYTKOWANIA KUCHENKI

Poniżej podane zostały niektóre zasady i wskazówki dotyczące bezpieczeństwa, które (podobnie jak w przypadku użytkowania innych urządzeń elektrycznych) należałoby uwzględnić. Zapewni to bezpieczne i najskuteczniejsze działanie kuchenki.

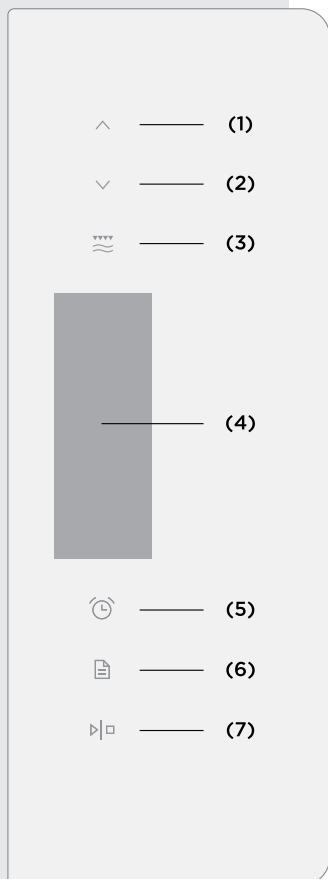
1. Always have the glass tray, roller arms, coupling and roller trl. Podczas działania kuchenki talerz obrotowy, nośniki rolek, podstawek (sprzęgło) i pierścien zawsze powinny być umieszczone na swoim miejscu.
2. Kuchenki należy używać wyłącznie do przyrządzania potraw. Nie wolno używać jej do suszenia ubrań, papieru lub innych przedmiotów. Nie nadaje się ona również do procesu sterylizacji przedmiotów czy żywności.
3. Nie wolno włączać pustej kuchenki, gdyż może to spowodować jej uszkodzenie.
4. W wnętrzu kuchenki nie należy przechowywać przedmiotów, a w szczególności książek kucharskich, gazet itp.
5. Potrawy, które posiadają błonę, czy otacza ich skórka tj. żółtka, ziemniaki, wątróbki drobiowe i tym podobne, należy przed gotowaniem kilkakrotnie nakłóć widelcem.
6. Do otworów znajdujących się po zewnętrznej stronie kuchenki nie wolno wkładać żadnych przedmiotów.
7. Z kuchenki nie wolno usuwać żadnych części, takich jak nóżki, śruby, złącza itp.
8. Potraw nie należy gotować bezpośrednio na szklanym talerzu. Żywność zawsze należy włożyć do odpowiedniego naczynia.

**WAŻNE:** W kuchence mikrofalowej nie należy używać:

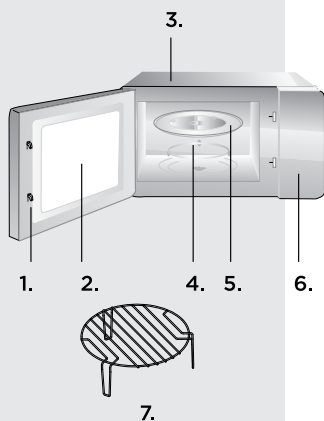
- naczyń metalowych lub naczyń z metalowymi uchwytnami.
  - naczyń z metalowym wykończeniem lub dekoracją.
  - klamer druczianych powlekanych papierem do wiązania worków foliowych.
  - naczyń z melaminu, ponieważ zawierają one substancje wchłaniające energię mikrofalową. Grozi to pęknięciem naczynia lub jego zwęgleniem. Co więcej, przedłuży to czas przygotowywania żywności.
  - naczyń, których powierzchnia nie jest przystosowana do użycia w kuchence mikrofalowej. Nie należy również używać zamkniętych filiżanek z uchwytnami.
  - pojemników o małych otworach lub butelek z wąskimi szyjkami, gdyż mogą one podczas podgrzewania pęknąć.
  - zwykłych termometrów do mięsa lub wypieków. Na rynku dostępne są specjalne termometry, które przystosowane są do zastosowania w kuchenkach mikrofalowych.
9. Przyrządy przeznaczone do użycia w kuchence mikrofalowej należy używać zgodnie z instrukcją obsługi ich producenta.
  10. Kuchenka mikrofalowa nie nadaje się do smażenia potraw.

11. Należy pamiętać, iż energia mikrofalowa nie nagrzewa naczyń w których przygotowywana jest żywność. Mimo iż naczynie, będzie na dotyk chłodne, temperatura artykułu żywnościowego będzie tak samo wysoka jak po zwykłym gotowaniu. Dlatego po odsłonięciu (chłodnej) przykrywką potrawa będzie parować.
12. Przed spożyciem należy sprawdzić temperaturę żywności, szczególnie jeśli chodzi o artykuły żywnościowe dla dzieci i niemowląt. Radzi się, aby po wyjęciu żywności z kuchenki poczekać kilka minut, potrawę należy przemieszać lub wstrząsnąć aby temperatura pożywienia była równomiernie rozprowadzona.
13. Żywność zawierającą tłuszcze i wodę należy po wyłączeniu się kuchenki przetrzymać w niej przez kolejnych 30 - 60 sekund. Spowoduje to uspokojenie się składników. Potrawa po wstawieniu do niej łyżki lub dodaniu kostki Maggi nie będzie się pieniać.
14. Należy pamiętać, że czas przygotowywania niektórych potraw (np. budyniu wigilijnego, marmolady lub mielonego mięsa), jest krótszy w porównaniu z ich tradycyjnym przygotowywaniem. Do podgrzewania potraw zawierających dużą ilość tłuszczu lub cukru nie wolno używać naczyń z tworzyw sztucznych.
15. Mimo, iż energia mikrofalowa nie nagrzewa naczyń, naczynie może absorbować ciepło pochodzące z potrawy. Najczęściej pojawia się to w przypadku pokrycia żywności folią. By zapobiec poparzeniom, zaleca się używanie rękawiczek ochronnych, podczas wyjmowania naczyń z kuchenki.
16. Aby zmniejszyć możliwość wystąpienia pożaru w komorze kuchenki:
  - a) Należy dokładnie określić czas przygotowywania żywności i uważać by jej nie podgrzewać za długo. Uważnie należy sprawdzać proces podgrzewania żywności jeśli używamy do tego przyrządów papierowych, z tworzyw sztucznych lub innych łatwo palnych materiałów.
  - b) Należy usunąć druciane spinki czy sznurki, którymi związana jest pakowana w woreczkach żywność.
  - c) Nie wolno otwierać drzwiczek kuchenki w przypadku zapalenia się wsadu. Kuchenkę należy natychmiast odciąć od zasilania prądu przez wyciągnięcie wtyczki z gniazdka lub przez odkręcenie bezpiecznika z głównej tablicy rozdzielczej.
17. Niniejsze urządzenie jest przeznaczone do użytku domowego oraz do podobnych zastosowań takich jak:
  - kuchnie dla pracowników w sklepach, biurach i innych miejscach pracy;
  - budynki w gospodarstwach rolnych;
  - klienci hoteli, moteli i innych miejsc zakwaterowania;
  - pensjonaty.

# OPIS KUCHENKI



1. W górę (+)
2. W dół (-)
3. Wybór sposobu gotowania i pieczenia - Micro/Grill
4. Wyświetlacz
5. Ustawienie czasu i zegar programujący - Clock/Timer
6. Wybór menu/ Auto menu
7. Rozpoczęcie i przerwanie działania - Start/Reset



1. Ochronny system zatrzasków drzwi
2. Okno kuchenki
3. Odwietrznik
4. Pierścień łożyska
5. Szklany talerz
6. Panel sterujący
7. Ruszt do grilowania



## 1. QUICK START

Funkcję tę należy stosować do szybkiego podgrzewania (mikrofała 100 %) bądź gotowania żywności. W trybie gotowości należy przycisnąć przycisk START i kuchenka będzie działać przez 60 sekund.

**Przykład:** Podgrzanie szklanki melka

- Szklankę z mlekiem należy umieścić na szklanym talerzu obrotowym i zamknąć drzwiczki kuchenki.
- Naciśnięciem przycisku START/RESET uruchamia się kuchenkę, która będzie oddziaływała przez kolejną minutę 100% siłą mikrofały.
- Zakończony program oznajmi 5 sygnałów dźwiękowych.

## 2. PODGRZEWANIE PRZY POMOCY MIKROFAŁY

**W zakresie tej funkcji istnieją dwie możliwości.**

### a) Szybkie podgrzewanie mikrofalami (100% siły oddziaływania)

**Przykład:** Gotowanie – czas 5 minut, siła oddziaływania mikrofały 100%

- Należy określić czas gotowania np. »5:00«.
- Nacisnąć START/RESET.

### b) Podgrzewanie mikrofalami z ręcznym ustawieniem ich siły oddziaływania

**Przykład:** Podgrzewanie żywności z użyciem mocy 70% w czasie 10 minut

- Należy nacisnąć przycisk MICRO/GRILL i wybrać siłę oddziaływania mikrofały np. 70%.
- Nastawić czas np. na »10:00«.
- Nacisnąć START/RESET.

Wybierać można spośród 5 poziomów siły oddziaływania, najdłuższy czas działania wynosi 60 minut.

Gombnyomások száma "MICRO/GRILL"	A mikrohullámú sugarak teljesítménye	Felirat a kijelzőn
1	100%	P100
2	70%	P70
3	50%	P50
4	30%	P30
5	10%	P10

### 3. AUTOMATYCZNE ROZMRAŻANIE

**Kuchenka oferuje możliwość rozmrażania mięsa, drobiu oraz owoców morza. Czas rozmrażania oraz moc samoczynnie się dostosują do uprzednio nastawionej wagi. Zakres, w jakim można nastawić wagę zamrożonego produktu, wynosi od 100 g do 2000 g.**

**Przykład:** Rozmrażanie 0,5 kg zamrożonego mięsa

- By dokonać wyboru »DEF«, należy nacisnąć przycisk MICRO/GRILL.
- Trzeba podać masę artykułu żywnościowego. Do tego służą przyciski W GÓRĘ i W DÓŁ.
- Kuchenka zostanie uruchomiona, naciśnięciem przycisku START/RESET.

### 4. GRILL

**Gotowanie bądź pieczenie na grillu szczególnie polecane jest do przygotowywania cienkich kawałków mięsa, kotletów, bitek, szaszłyków, kiełbas lub kawałków kurczaka. Grill jest również odpowiedni do przygotowania ciepłych kanapek oraz do zapiekania potraw.**

W zakres tej funkcji wchodzi dwa sposoby. Aby z niej skorzystać należy nacisnąć przycisk MICRO/GRILL (najdłuższy czas gotowania to 60 min).

**Sposób 1:** 85% mocy grillowania, na wyświetlaczu wyświetla się komunikat G-1

**Sposób 2:** 50% mocy grillowania, na wyświetlaczu wyświetla się komunikat G-2

**Przykład:** Przygotowanie żywności na grillu, 20 minut

- Należy nacisnąć przycisk MICRO/GRILL aż na wyświetlaczu pojawi się komunikat »G-1«.
- Ustawić czas gotowania »20:00«.
- Nacisnąć przycisk START/RESET.

**UWAGA:** Podczas grillowania, żywność w kuchenke nie ogrzewa się dzięki mikrofalom. Ciepło emanuje stalowa grzałka umieszczona w górnej części kuchenki. Podczas działania grilla, gotowanie (grillowanie) może przebiegać w dwóch poziomach, po zakończeniu pierwszej połowy grillowania program samoistnie wyłączy się. Dwa sygnały dźwiękowe zasygnalizują, iż nastąpił czas, aby odwrócić żywność. Po odwróceniu artykułu spożywczego należy zamknąć drzwiczki i nacisnąć przycisk START/RESET. Program będzie kontynuowany. Jeśli zaś nie chcemy odwrócić żywności, program z działaniem po upływie jednej

## 5. KOMBINOWANE ODDZIAŁYWANIE

**Kuchenka umożliwi dwa sposoby przygotowywania żywności za pomocą kombinacji mikrofal i grilla.**

**Sposób 1:** Kuchenka będzie 55 procent czasu działać z użyciem mikrofal, a 45 procent czasu z użyciem grilla. Ten tryb działania zalecany jest do przygotowywania ryb lub do zapiekania potraw. Na wyświetlaczu zostanie wyświetlony komunikat »C-1«.

**Sposób 2:** Kuchenka będzie 30 procent czasu działać z użyciem mikrofal, a 70 procent czasu z użyciem grilla. Ten tryb działania zalecany jest do przygotowywania puddingów, zapiekanego ryżu, omeletów, pieczonych ziemniaków oraz drobiu. Na wyświetlaczu zostanie wyświetlony komunikat »C-2«.

**Przykład:** Przygotowanie żywności, sposób 2, 15 minut

- Należy nacisnąć przycisk MICRO/GRILL aż na wyświetlaczu pojawi się komunikat »C-2«.
- Ustawić czas gotowania na »15:00«.
- Nacisnąć przycisk START/RESET.

## 6. MENU AUTOMATYCZNE

**Dla produktów w trybie programu automatycznego, należy nastawić jedynie rodzaj i masę/ ilość żywności. Program kuchenki pomoże nastawić moc i czas.**

**Przykład:** Automatyczne gotowanie 0,4kg ryby

- Należy naciskać przycisk AUTO MENU aż na wyświetlaczu pojawi się komunikat »A-5«.
- Ciężar żywności określa się za pomocą przycisków W GÓRĘ i W DÓŁ. Należy naciskać odpowiedni przycisk, aż na wyświetlaczu pojawi się komunikat »0,4«.
- Nacisnąć przycisk START/RESET.

Menu	Masa/ ilość	Moc mikrofal	
A-1 Ryż	100 - 500g	16 - 23min	80%
A-2 Warzywa	100 - 600g	2 - 7min 30sec	100%
A-3 Makaron	1 - 2	4min 30sec - 7min 40sec	100%
A-4 Mięso	200 - 1000g	7 - 19min	80%
A-5 Ryba	200 - 1000g	4 - 12min	80%
A-6 Drób	200 - 1000g	14min 30sec - 34min	55%

Menu	Masa/ ilość	Moc mikrofal	
A-7 Płynny	2 - 10dl	2 - 5min	100%
A-8 Prażona kukurydza	100g	3min 30sec	100%

## 7. ZEGAR DYGITALNY

**Kuchenka wyposażona jest w zegar cyfrowy. Gdy kuchenka jest w trybie gotowości, za pomocą przycisku ZEGAR można nastawić czas w cyklu 24 godzinnym.**

**Przykład:** Ustawienie czasu w kuchence na godzinę 8:30

- Nacisnąć przycisk CLOCK/TIMER. Komunikat na wyświetlaczu zacznie mrugać. Naciskając przycisk »1 min« i »10 sec« ustawiamy godzinę.
- Ponownie nacisnąć przycisk CLOCK/TIMER. Za pomocą przycisków W GÓRĘ i W DÓŁ, należy ustawić minuty.
- Nacisnąć przycisk CLOCK/TIMER. Nowo ustawiony czas zostanie wyświetlony.
- Aby ustawić zegar, należy za każdym razem powtórzyć kolejność.

## 8. TIMER

**Timer umożliwia dowolne ustawienie rozpoczęcia i zakończenia działania kuchenki.** Aby skorzystać z tej funkcji należy upewnić się, że zegar kuchenki został dokładnie ustawiony.

**Przykład:** W tym momencie jest 16:30. Z przygotowaniem żywności chcemy rozpocząć o godzinie 18:15. Chcemy aby kuchenka działała o mocy 70% przez 10 minut

- Należy nacisnąć przycisk CLOCK/TIMER. Za pomocą przycisków W GÓRĘ i W DÓŁ należy ustawić czas na 18:15.
- Naciskając przycisk W GÓRĘ i W DÓŁ należy wybrać moc działania kuchenki 70%.
- Należy ustawić czas gotowania 10 minut
- Nacisnąć przycisk START/RESET.

**UWAGA:** Jeśli moc i czas działania (kroki b i c) nie zostaną ustawione, po naciśnięciu przycisku START/RESET, kuchenka działać będzie jako budzik. O godzinie 18:15 włączy się 10 sygnałów dźwiękowych, po czym urządzenie wyłączy się.

---

## 9. ZABEZPIECZENIE PRZED DZIEĆMI

**Funkcję tę należy włączać po to, by małe dzieci nie mogły bez nadzoru używać kuchenki. Symbol blokady przed dziećmi ukaże się na ekranie, ale kuchenki nie będzie można nastawić czy też włączyć, dopóki funkcja blokady pozostanie aktywna.**

W celu włączenia blokady przed dziećmi: gdy kuchenka znajduje się w stanie gotowości, należy przycisnąć przycisk START | STOP i wciśnięty przytrzymać przez 3 sekund. Słychać będzie sygnał dźwiękowy, a na wyświetlaczu ukaże się symbol blokady.

W celu wyłączenia blokady przed dziećmi: przycisnąć należy przycisk START | STOP i wciśnięty przytrzymać przez 3 sekund bądź do momentu, aż zgaśnie symbol blokady, widoczny na wyświetlaczu.



---

## 10. START / RESET

- a) W przypadku naciśnięcia przycisku START/RESET podczas działania kuchenki, kuchenka wyłączy się.
- b) W przypadku ustawienia automatycznego włączenia się kuchenki, zaprogramowane działanie kuchenki zostanie anulowane w chwili naciśnięcia przycisku START/RESET.

---

## 11. FUNKCJA ECO - OSZCZĘDNOŚĆ ENERGII

Należy równocześnie przycisnąć przyciski  oraz  wyłączy się wyświetlacz, a urządzenie przejdzie w tryb zmniejszonego zużycia energii.

Chcąc ponownie włączyć wyświetlacz, przycisnąć należy którykolwiek przycisk lub otworzyć bądź zamknąć drzwiczki urządzenia.

## PIELĘGNACJA KUCHENKI MIKROFALOWEJ – CZYSZCZENIE I KONSERWACJA

1. Przed przystąpieniem do czyszczenia należy kuchenkę obowiązkowo wyłączyć i wyciągnąć kabel zasilający z gniazdka.
2. Wnętrze kuchenki powinno być zawsze czyste. Jeżeli po zakończonym gotowaniu na ściankach kuchenki zostały okruchy potraw lub krople płynu, powinno się je wytrzeć wilgotną szmatką. Do czyszczenia należy używać łagodnych środków czyszczących. Nie zaleca się używania silnych detergentów oraz środków ściernych.
3. Powierzchnię zewnętrzną należy czyścić wilgotną ściereczką. Aby zapobiec uszkodzeniom lub awarii części znajdujących się wewnątrz kuchenki, należy uważać by woda lub inne płyny nie dostały się do odwietrzników.
4. Nie wolno zmoczyć panelu sterującego. Należy czyścić go miękką, wilgotną ściereczką. Nie powinno się używać silnych środków czyszczących, środków ściernych, jak również środków czyszczących w aerosolu.
5. Jeśli na wewnętrznych lub zewnętrznych powierzchniach kuchenki osiada para, należy zetrzeć ją miękką ściereczką. Para pojawia się, gdy kuchenka umieszczona jest w środowisku bardzo wilgotnym. Nie oznacza to jednak usterki jej działania lub jej uszkodzenia.
6. Od czasu do czasu należy oczyścić również szklany talerz. Można umyć go w ciepłej wodzie i płynem do naczyń lub w zmywarce do naczyń.
7. Aby zapobiec powstawaniu hałasu podczas pracy kuchenki, należy regularnie czyścić pierścień łożyska i dolną część komory kuchenki. Zaleca się, aby wewnątrz kuchenki czyścić łagodnymi środkami, wodą lub środkiem do mycia powierzchni szklanych. Po czym, należy ją starannie wysuszyć. Podczas przygotowywania żywności w wnętrzu kuchenki kumuluje się para, która wydostaje się z potraw. Para nie wywiera żadnego wpływu ani na wewnętrzne powierzchnie kuchenki ani na pierścień łożyska. Po usunięciu pierścienia łożyska podczas czyszczenia kuchenki należy uważać aby później został on umiejscowiony prawidłowo na pierwotne miejsce.
8. W celu usunięcia nieprzyjemnych zapachów w kuchenke należy umieścić w niej głębokie naczynie

(przystosowane do użytku w kuchence mikrofalowej) z wodą. Do wody należy wycisnąć sok jednej cytryny i dodać pozostałą skórkę. Gotować przez 5 minut. Po zakończonym gotowaniu należy kuchenkę dokładnie i starannie osuszyć za pomocą miękkiej ściereczki.

---

## ŚRODOWISKO

Urządzenia po upływie okresu eksploatacyjnego nie należy usunąć wraz ze zwykłymi odpadami komunalnymi, lecz oddać na urzędowo określone składowisko do recyklingu. Postępując w ten sposób, przyczyniają się Państwo do zachowania czystego środowiska.

## INSTALACJA

1. Należy przekonać się, że opakowanie zostało usunięte, przede wszystkim z wnętrza komory i z wewnętrznej strony drzwiczek.
2. Po rozpakowaniu kuchenki należy upewnić się, że kuchenka nie posiada następujących uszkodzeń:
  - pochyłe drzwiczki,
  - uszkodzone drzwiczki,
  - wgniecenia lub dziury w szkłe (oknie) na drzwiczkach lub wyświetlaczu,
  - wgniecenia w komorze kuchenki.Kuchenki mikrofalowej nie należy używać, jeśli znalezione zostanie któreś z podanych wyżej uszkodzeń.
3. Ciężar kuchenki mikrofalowej wynosi około 14,5 kg; zaleca się, aby kuchenkę mikrofalową umieścić na twardej, stabilnej powierzchni poziomej, która będzie w stanie utrzymać jej ciężar.
4. Kuchenkę należy umieścić zdala od źródeł wysokich temperatur i pary.
5. Na kuchence nie powinno stawiać się niczego.
6. Kuchenka mikrofalowa powinna być ustawiona tak, aby jej tylna część oddalona była od ściany o co najmniej 20 cm, natomiast przedmioty lub ściany po jej bokach winny być w odległości przynajmniej 30 cm. Taki sposób ustawienia kuchenki gwarantuje najlepszą wentylację.
7. **NIE WOLNO USUWAĆ** podstawy obrotowej talerza.
8. Gniazdko elektryczne powinno być łatwo dostępne, aby w sytuacji awaryjnej można było szybko odłączyć urządzenie. Ewentualnie należy umożliwić odłączenie kuchenki od źródła zasilania, podłączając wyłącznik do instalacji zgodnie z odpowiednimi zaleceniami dotyczącymi okablowania. Podłącz urządzenie do jednofazowego źródła zasilania prądem zmiennym o napięciu 230 V/50 Hz za pośrednictwem prawidłowo zamontowanego i uziemionego gniazdka. **OSTRZEŻENIE! URZĄDZENIE NALEŻY BEZWZGLĘDNIE UZIEMIĆ!** Producent nie ponosi odpowiedzialności za nieprzestrzeganie tego zalecenia dotyczącego bezpieczeństwa.
9. Kuchenka mikrofalowa wymaga mocy 1,4 kVA – przed podłączeniem należy zasięgnąć porady pracownika punktu serwisowego lub wykwalifikowanej osoby.



**UWAGA: Kuchenka mikrofalowa jest zabezpieczona. Posiada ona wewnętrzny bezpiecznik o właściwościach: 250 V, 10 A.**

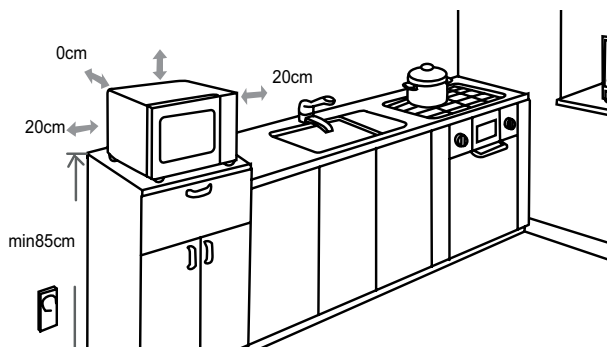
## DANE TECHNICZNE



Zasilanie elektryczne.....	220-240V-50Hz, 1400W
Moc użyteczna .....	900W
Moc grilowania, grzałka grilowa .....	1200W
Częstotliwość robocza.....	2450MHz
Wymiary zewnętrzne 510mm(Śz) x 303mm(H) x 425mm(D)	
Pojemność kuchenki .....	23 litrów
Waga netto.....	około 14,5 kg
Poziomy hałasu.....	Lc < 58 dB (A)

**Urządzenie to oznaczono zgodnie z europejską wytyczną 2012/19/EU o zużytych urządzeniach elektrycznych i elektronicznych (waste electrical and electronic equipment - WEEE). Wytyczna ta określa ramy obowiązującego w całej Unii Europejskiej odbioru i wtórnego wykorzystania starych urządzeń.**

## PROCEDURA ZABUDOWY



## ZAKŁÓCENIA W ODBIORZE FAL RADIOWYCH I TELEWIZYJNYCH

Kuchenka mikrofalowa może spowodować zakłócenia w działaniu odbiorników telewizyjnych, radiowych itp. By usunąć lub zmniejszyć zakłócenia, należy:

- Oczyścić drzwiczki kuchenki i powierzchnie uszczelek.
- Umieścić odbiorniki telewizyjne lub radiowe jak najdalej od kuchenki mikrofalowej.
- Wyposażyć odbiorników w anteny i umieszczenie ich w sposób, który umożliwi najsilniejszy odbiór sygnału.

## PRZED WEZWANIEM SERWISU

1. Jeśli kuchenka nie działa, jeśli wyświetlacz wyłączył się lub nie wyświetla komunikatów:
  - a) Należy sprawdzić czy urządzenie jest prawidłowo podłączone do sieci zasilania elektrycznego. Jeśli nie, należy wyciągnąć przewód elektryczny kuchenki z gniazdka zasilania elektrycznego i po 10 sekundach powtórnie włączyć urządzenie.
  - b) Należy sprawdzić bezpieczniki i gniazdko przewodu zasilającego. Gniazdko najłatwiej sprawdzić, podłączając do niego inne urządzenie elektryczne.
2. Jeśli kuchenka nie grzeje tzn. nie dochodzi do emisji energii mikrofalowej, należy:
  - a) Sprawdzić ustawienie timera.
  - b) Sprawdzić, czy drzwiczki kuchenki zostały domknięte a zamki bezpieczeństwa zamknięte. W przeciwnym razie emisja energii mikrofalowej została uniemożliwiona.

**W przypadku nie możliwości rozwiązania problemu, mimo wykonania w/w czynności, należy zwrócić się do autoryzowanego punktu serwisowego.**

PRODUCENT ZACHOWUJE PRAWO DO  
WPROWADZANIA ZMIAN NIE WPŁYWAJĄCYCH NA  
FUNKCJONALNOŚĆ URZĄDZENIA.

W celu uzyskania informacji lub w razie problemów z urządzeniem, zwrócić się do centrum pomocy użytkowników Gorenja w danym państwie (numer telefonu znajduje się na międzynarodowej karcie gwarancyjnej). Jeżeli w danym kraju nie ma takiego centrum, należy zwrócić się do lokalnego sprzedawcy Gorenja lub Działu małych urządzeń AGD.

Różne czynniki, jak np. kąty, pod którymi oglądane jest urządzenie, różne kolory tła, materiał i oświetlenie, mogą doprowadzić do potencjalnej niespójności kolorystycznej pomiędzy różnymi urządzeniami albo elementami składowymi w ramach jednej linii designerskiej.

### **Wyłącznie do własnego użytku!**

Dodatkowe zalecenia i wskazówki dotyczące pieczenia za pomocą mikrofal i grilla znajdują się na stronie internetowej:

<http://www.gorenje.pl>

### **WIELE SATYSFAKCJI Z KORZYSTANIA KUCHENKI MIKROFALOWEJ ŻYCZY PAŃSTWU**

# **gorenje**

Zastrzegamy sobie prawo do zmian i błędów w niniejszej instrukcji obsługi.

## GENTILE ACQUIRENTE

La ringraziamo sinceramente per il Suo acquisto. Crediamo che Lei presto troverà una ampia conferma che ci si può affidare davvero sui nostri prodotti. Per rendere l'utilizzo dell'apparecchio più semplice, alleghiamo questo manuale di istruzioni esauriente.

Le istruzioni La aiuteranno a familiarizzare con il Suo nuovo apparecchio. Per favore, leggerle attentamente prima di utilizzare l'apparecchio per la prima volta.

In ogni caso, si prega di accertarsi che l'apparecchio fornito sia intatto. Se si riscontra qualsiasi danno dovuto al trasporto, contattare il proprio venditore o il magazzino locale da dove il prodotto è stato consegnato. Il numero di telefono si trova sul conto o sulla ricevuta di consegna.

Le auguriamo un uso piacevole del Suo nuovo elettrodomestico.



L'apparecchio è destinato esclusivamente per l'uso domestico per riscaldare alimenti e bevande utilizzando l'energia elettromagnetica. Solo per uso in ambienti interni.

## ISTRUZIONI PER L'USO

Leggere attentamente le istruzioni e conservarle per un utilizzo futuro.

Queste istruzioni sono destinate per l'utente. Esse descrivono l'apparecchio e il modo come usarlo. Le istruzioni riguardano i diversi tipi di apparecchi, quindi si possono trovare alcune descrizioni di funzioni che potrebbero non essere presenti nel vostro apparecchio.

## IMPORTANTI ISTRUZIONI DI SICUREZZA



Non toccare mai le superfici di riscaldamento o apparecchi di cottura.

Essi surriscaldarsi durante il funzionamento.

Tenere i bambini a distanza di sicurezza.

Vi è il rischio di ustioni!



L'energia a microonde e ad alta tensione! Non rimuovere il coperchio.

**ATTENZIONE!** L'apparecchiatura e le parti accessibili diventano calde durante l'utilizzo. È necessario prestare attenzione a non toccare gli elementi riscaldanti. Tenere lontani i bambini di età inferiore a 8 anni a meno che non siano costantemente sorvegliati. Questa apparecchiatura può essere utilizzata da bambini di età superiore a 8 anni e da persone con ridotte capacità mentali, sensoriali o fisiche oppure con poca esperienza o conoscenza solo se sorvegliate o precedentemente istruite in merito all'utilizzo sicuro dell'apparecchiatura e se hanno compreso i rischi che comporta. I bambini devono usare il forno soltanto in presenza di un adulto. La pulizia e la manutenzione non devono essere eseguite dai bambini a meno che questi non abbiano almeno 8 anni e siano sorvegliati.

- **AVVERTENZA:** quando l'apparecchio viene usato nel modo combinato si sprigionano le temperature molto alte (solo gli apparecchi con la funzione del grill).
- L'uso da parte dei bambini va sorvegliato dagli adulti.
- **AVVERTENZA :** Se la guarnizione dello sportello è danneggiato, l'uso dell'apparecchio è vietato finché non riparato da un tecnico autorizzato.

- **AVVERTENZA:** La riparazione d'apparecchio può essere eseguito solo da un tecnico autorizzato.
- **AVVERTENZA:** non riscaldare liquidi o altre pietanze nei recipienti troppo piccoli poichè possono esplodere.
- Non eliminare i piedini dal forno e non coprire le aperture di aerazione.
- Usare gli accessori adatti per l'uso nel microonde.
- Quando scaldate il cibo nei recipienti di plastica o di carta; quest'ultimi vanno sorvegliati durante il processo di riscaldamento per il pericolo di incendio del recipiente.
- Se notate il fumo, spegnete l'apparecchio e staccatelo dalla rete elettrica, mentre lo sportello lasciate chiuso per soffocare possibile incendio all'interno.
- Quando scaldate le bevande nel microonde, queste si scaldano molto velocemente e possono bollire e fuoriuscire dal recipiente. Fate molta attenzione.
- Per evitare le ustioni, prima dell'uso mischiare il contenuto e scuotere il biberon di latte per i neonati. Verificare sempre la temperatura del cibo o del liquido.
- Nel microonde non si devono scaldare le uova con la buccia o le uova sode poichè possono esplodere dopo che il riscaldamento nel microonde è terminato.
- Quando pulite gli interni del forno e le guarnizioni, dovete usare i detersivi delicati (non abrasivi) e una spugna morbida.
- Pulire regolarmente il forno dai residui di cibo.

- In quanto non provvedete alla regolare manutenzione e pulizia del forno, questo può provocare il deterioramento delle superfici, la diminuzione della lunghezza di vita d'apparecchio e aumento di rischi durante il suo uso.
- Se il cavo di collegamento è danneggiato bisogna essere sostituito dal produttore o da un tecnico autorizzato.
- Fare attenzione che il cavo di alimentazione non sia posizionato sui bordi o sulla superficie del piano di lavoro.
- Non sostituire mai la lampadina interna del forno. La stessa deve essere sostituita da un centro di assistenza autorizzata Gorenje.
- Non cercate di sostituire da soli la lampadina del forno, e fatela sostituire solo da personale autorizzato. Se la lampadina si guasta, rivolgetevi al rivenditore o ad un tecnico di servizio GORENJE autorizzato.
- **ATTENZIONE!** Non utilizzare su nessuna parte del forno detergenti per forni commerciali, getti a vapore, abrasivi, detergenti ruvidi o che contengono idrossido di sodio né spugne abrasive. Pulire il forno a intervalli normali e rimuovere tutti i residui di alimenti.

## LE ISTRUZIONI DI SICUREZZA PER UN'USO GENERALE

In Di seguito troverete alcune regole e norme di sicurezza che, come con per gli altri apparecchi, bisogna rispettare per assicurarsi un' uso sicuro e un funzionamento ottimale del forno:

1. Durante il funzionamento del forno tutti gli accessori all'interno del forno devono essere al loro posto (vasoio girevole,..) il piatto di vetro, il braccio del rullo, il collegamento elettrico e l'incastro per il rullo devono essere sempre al loro posto.
2. Non usare il forno per nessun altro scopo se non per la cottura di alimenti; non asciugate dentro vestiti, carta e altri oggetti e non usatelo per la sterilizzazione.
3. Non accendere mai il forno a vuoto perché potrebbe danneggiarsi.
4. Non conservare niente all'interno del forno p.e come carta, libri di ricette, etc.
5. Non cucinate gli alimenti con la membrana, tipo tuorli d'uova, patate, fegato di pollo ..che senza prima non avete lavato fare dei fori con la forchetta sulla membrana in nelle varie parti.
6. Non inserire alcun oggetto nelle aperture all'esterno del forno.
7. Non togliere rimuovere mai le parti del forno tipo piedini, viti, chiavistelli chiusure, etc.
8. Non cucinate gli alimenti direttamente sul vasoio piatto di vetro ma utilizzate sempre le stoviglie adatte o altri accessori adatti.

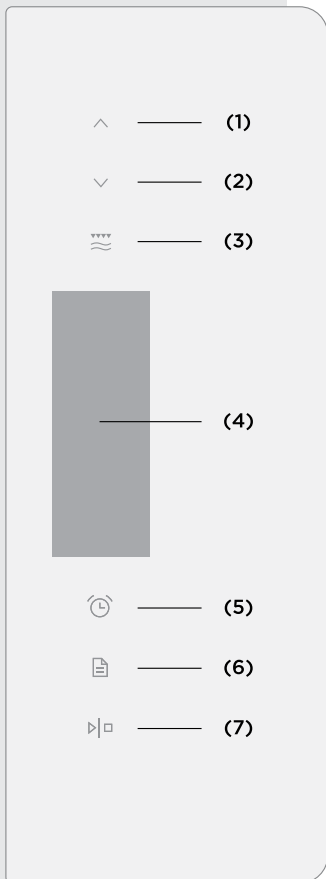
### **IMPORTANTE:** GLI ACCESSORI CHE NON DEVONO ESSERE USATI NEL MICROONDE

- Non usate le pentole di metallo o le stoviglie con le maniglie manici di in metallo.
- Non usate le stoviglie con bordi in metallo.
- Non usate i sigilli di metallo ricoperti di carta per la chiusura delle buste di plastica.
- Non usare le stoviglie di in melamina che in quanto contengono un materiale che assorbono assorbe l'energia del a microonde. Questo può provocare che la stoviglia si rompe lo scoppio o la bruciatura della stoviglia, o si brucia oppure inoltre rallenta il riscaldamento/cottura.
- Non usare le stoviglie non adatte per il senza l'adeguato rivestimento per l'uso del forno a microonde. Altrettanto Inoltre non usare le tazze coperte chiuse e con la maniglia i manici.
- Non preparare il cibo alimenti o le bevande nel in recipientie con l'apertura stretta p.e. quali nella bottiglia, perché si può possono rompere spaccare durante il riscaldamento.
- Non usare termometri abituali per carne e dolci. Potete usare solo termometri destinati ad' all'uso nei forni a microonde.

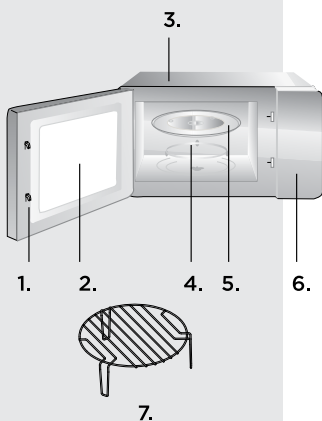


9. Gli accessori per il forno a microonde possono essere usati secondo le istruzioni del produttore.
10. Non cercate di friggere il cibo nel forno a microonde.
11. Fate attenzione che nel microonde si scaldia solo il liquido, ma non anche il recipiente. E' È possibile che quando togliete il coperchio, il liquido nella vaschetta nel recipiente produce il emana vapore oppure fuoriescono le goccioline anche se il coperchio stesso non è caldo.
12. Prima di consumare il cibo utilizzo bisogna sempre verificarne la temperatura del cibo, soprattutto se è destinato ai bambini. Consigliamo di non consumare il cibo/le bevande immediatamente dopo averle tolte dal forno a microonde. Bisogna lasciarle riposare per qualche minuto e mescolarle in modo che la temperatura si distribuisca omogeneamente.
13. Il cibo che contiene un miscuglio di il grasso e l'acqua deve rimanere dentro il forno dopo lo spegnimento per altri 30 - 60 secondi. Facendo così, lascerete calmare in tal modo il tutto miscuglio si stabilizza ed eviterete l'uscita la fuoriuscita di bolle quando entrerete inserite con il cucchiaino o metterete dentro il dado.
14. Durante la preparazione di certe pietanze come p.e. quali carne macinata, marmellata, budini, dovete fare l'attenzione perché le pietanze si scaldano molto velocemente. Quando scaldate o cuocete le pietanze con una grande concentrazione di grassi o di zuccheri non dovete usare le vaschette in plastica.
15. Gli accessori che usate per la preparazione dei cibi nel forno a microonde si possono scaldare molto perché il cibo emana il calore. Questo vale soprattutto per il coperchio o le maniglie manici ricoperte di plastica. Per prendere queste stoviglie usate i guanti o le presine da cucina.
16. Per diminuire la possibilità d'incendio all'interno del forno:
  - a) Attenzione a non cuocere troppo a lungo gli alimenti. Tenere sotto controllo il processo di riscaldamento quando nel forno sono presenti gli accessori di carta, plastica o altri materiali facilmente infiammabili.
  - b) Prima di inserire la busta nel forno eliminare senza i sigilli di metallo per chiudere le buste.
  - c) Se l'oggetto nel forno s'incendia, lasciare lo sportello del forno chiuso, spegnere il forno e staccare la spina dalla rete elettrica o rimuovere il fusibile principale dal pannello dei fusibili.
17. L'apparecchio è destinato ad un uso domestico o in ambienti simili, quali:
  - cucine compatte per il personale nei negozi e in altri ambienti di lavoro,
  - fattorie familiari,
  - unità di alloggio per gli ospiti in alberghi, motel e altre strutture ricettive,
  - strutture che offrono bed and breakfast.

# PANNELLO DI CONTROLLO



1. Su (+)
2. Giu (-)
3. Scelta del modo di cucinare o arrostitire - Micro/Grill
4. Display
5. Impostazione tempo e timer - Clock/Timer
6. Scelta di menu / Auto menu
7. Inizio e interruzione del funzionamento / Start/Reset



1. Chiusura sportello
2. Finestra forno
3. Aperture d'aerazione o ventilatore d'aerazione
4. Cerchio vasoio
5. Vasoio di vetro
6. Pannello di comando
7. Griglia per grill

## 1. QUICK START

**Questa funzione viene utilizzata per il riscaldamento rapido (microonde al 100%) o per la cottura del cibo. In modalita stand -by, premere il pulsante START e il forno inizierà a funzionare per 60 secondi.**

**Esempio:** Riscaldamento del bicchiere di latte

- a) Posizionare il bicchiere di latte sul vasoio girevole di vetro e chiudere lo sportello del forno.
- b) Premere il tasto START/RESET ed il forno a microonde funzionerà alla potenza di 100% per 1 minuto.
- c) Quando il riscaldamento sarà terminato sentirete cinque brevi segnali acustici.

## 2. RISCALDAMENTO A MICROONDE

**Questa funzione ha due possibilità.**

### a) Riscaldamento veloce con i raggi della microonde (la potenza al 100%)

**Esempio:** Cucinare con la potenza al 100% per 5 minuti

1. Impostare il tempo a »5:00« minuti.
2. Premere il tasto START/RESET.

### b) Riscaldamento con i raggi della microonde con la gestione manuale

**Esempio:** Riscaldamento d'alimento con la potenza al 70% per 10 minuti

1. Premere il tasto MICRO/GRILL, scegliere il livello di potenza al 70%.
2. Impostare il tempo a »10:00« minuti.
3. Premere il tasto START/RESET.

**Potete impostare 5 livelli di potenza di riscaldamento; il tempo maggiore di impostazione è di 60 minuti.**

Numero di pressioni del tasto "MICRO/GRILL"	Potenza dei raggi della microonde	Scritta sul display
1	100%	P100
2	70%	P70
3	50%	P50
4	30%	P30
5	10%	P10

### 3. AUTO SCONGELAMENTO

**Il forno consente lo scongelamento di carne, pollame e frutti di mare. Il tempo di scongelamento e la potenza si regolano automaticamente in base al peso che viene impostato prima. Il peso degli alimenti congelati può essere compreso tra i 100g e i 2000g.**

**Esempio:** Scongellamento di 0,5 kg di carne surgelata

- Premendo il tasto MICRO/GRILL scegliere »DEF«.
- Premendo i tasti SU e GIÙ inserire il peso.
- Premere il tasto START/RESET.

### 4. GRILL

**La cottura con il grill e particolarmente adatta per le fette sottili di carne, bistecche, bracioline, spiedini, salsicce, o pezzi di pollo. Il grill è adatto anche per la preparazione di panini caldi e piatti gratinati.**

Questa funzione ha due modi; la funzione desiderata si può scegliere premendo il tasto MICRO/GRILL (il tempo maggiore di cottura è di 60 minuti).

**Modo 1:** 85% di potenza grill, sul display appare G-1

**Modo 2:** 50% di potenza grill, sul display appare G-2.

**Esempio:** Preparazione di cibo con grill, 20 minuti

- Premere il tasto MICRO/GRILL, finché sul display non appare la scritta »G-1«.
- Impostare il tempo di cottura sul »20:00« minuti.
- Premere il tasto START/RESET.

**NOTA:** Quando preparate il cibo con il grill, quest'ultimo non viene scaldato dai raggi della microonde ma dal riscaldatore in metallo che emana il calore nella parte superiore del forno. Quando il grill funziona, la cottura può essere fatta in due livelli; passata la prima metà di preparazione, il funzionamento del programma si interromperà automaticamente, mentre due brevi segnali acustici vi avvertiranno che bisogna girare l'alimento per finire la cottura. Quando girate l'alimento, chiudere di nuovo lo sportello del forno e premere il tasto START/RESET. Il programma della preparazione di alimento continuerà. Se non volete girare l'alimento, il programma continuerà automaticamente dopo 1 minuto.

### 5. FUNZIONAMENTO COMBINATO

**Il forno rende possibile due modi di preparazione del cibo combinato.**

**Possibilità 1:** Il forno funzionerà per il 55 per cento

del tempo a microonde, il restante 45 per cento con il grill. Questa modalita di funzionamento e adatta per la preparazione di piatti di pesce o gratinati. Sul display appare la scritta »C-1«.

**Possibilità 2:** Il forno funzionera per il 30 per cento del tempo a microonde, il restante 70 per cento con il grill. Questa modalita di funzionamento e adatta per la preparazione di budini, sformati, frittate, patate al forno e pollame. Sul display appare la scritta »C-2«.

**Esempio:** Preparazione di cibo con la Possibilità 2, il tempo - 15 minuti

- Premere il tasto MICRO/GRILL, finchè sul display non appare la scritta »C-2«.
- Impostare il tempo di funzionamento sul »15:00«minuti.
- Premere il tasto START/RESET.

## 6. MENU AUTOMATICO

**Per il cibo nel menu automatico bisogna impostare solo il tipo e la massa / unita di cibo. Il forno aiuterà nell'impostazione della potenza e del tempo.**

**Esempio:** Cottura automatica del pesce di peso di 0,4 kg

- Premere il tasto AUTO MENU finchè sul display non appare la scritta »A-5«.
- Inserire il peso premendo i tasti SU e GIÙ, finchè sul display non appare la scritta »0,4«.
- Premere il tasto START/RESET.

Menù	Massa/Unità	Potenza del microonde	
A-1 Riso	100 - 500g	16 - 23min	80%
A-2 Verdura	100 - 600g	2 - 7min 30sec	100%
A-3 Pasta	1 - 2	4min 30sec - 7min 40sec	100%
A-4 Carne	200 - 1000g	7 - 19min	80%
A-5 Pesce	200 - 1000g	4 - 12min	80%
A-6 Pollo	200 - 1000g	14min 30sec - 34min	55%
A-7 Liquido	2 - 10dl	2 - 5min	100%
A-8 Popcorn	100g	3min 30sec	100%

---

## 7. OROLOGIO

**Il forno è dotato di un orologio digitale. Quando il forno è in stand - by, premendo il tasto dell'ORA si può impostare il ciclo del tempo di 24 ore.**

**Esempio:** impostare l'ora del forno alle 8:30

- a) Premere il tasto CLOCK/TIMER. La scritta sul display inizierà a lampeggiare. Impostare l'ora attuale con i tasti SU e GIÙ.
- b) Premere di nuovo il tasto CLOCK/TIMER ed impostare anche i minuti con i tasti SU e GIÙ.
- c) Premere di nuovo il tasto CLOCK/TIMER e l'ora attuale sarà impostata.
- d) Se volete cambiare l'impostazione dell'ora dovete ripetere il procedimento.

---

## 8. TIMER

**Il timer rende possibile poter impostare in anticipo l'inizio e la fine di preparazione del cibo.**

Prima di usare questa funzione, bisogna impostare bene l'ora attuale sul forno.

**Esempio:** L'ora attuale è 16:30, mentre volete iniziare a preparare il cibo alle 18:15, con la potenza al 70%, per 10 minuti

- a) Premere il tasto CLOCK/TIMER e con i tasti SU e GIÙ impostare il tempo a 18:15.
- b) Premendo il tasto MICRO/GRILL scegliete la potenza di 70%.
- c) Impostare il tempo di cottura sui 10 minuti.
- d) Premere il tasto START/RESET.

**NOTA:** Se non impostate la potenza ed il tempo di cottura e subito dopo l'impostazione del tempo di inizio di cottura premete il tasto START/RESET, l'apparecchio funzionerà solo come la sveglia. Alle 18:15 sentirete 10 brevi segnali acustici e l'apparecchio si spegnerà.

---

## 9. SICUREZZA BAMBINI

**Questa funzione è utile per evitare l'uso incontrollato del forno da parte dei bambini. Quando il forno è bloccato sul display appare l'icona e non è possibile usare il forno.**

Se si desidera bloccare il forno, premuto il tasto dell'START/RESET per 3 secondi. Quando si sente un segnale acustico, il forno è bloccato e nel display appare l'icona di una chiave. Nello stato bloccato, tutti i tasti sono disattivati. Per sbloccare il forno, premuto il tasto dell'START/RESET per 3 secondi. Quando si sente il segnale acustico, il forno è sbloccato.

---

## 10. START / RESET

- a) Se durante il funzionamento dell'apparecchio premete il tasto START/RESET il funzionamento del forno sarà interrotto.
- b) Se avete impostato precedentemente l'attivazione della cottura programmata, dopo aver premuto il tasto START/RESET l'attivazione programmata sarà annullata.

---

## 11. MODALITÀ ECO - RISPARMIO ENERGETICO

Premere allo stesso tempo  $\wedge$  e  $\vee$  per attivare la modalità ECO.

Per riaccendere il display e disattivare la modalità ECO, premere un tasto qualsiasi, oppure aprire o chiudere lo sportello dell'apparecchio.

## CURA DEL FORNO A MICROONDE – PULIZIA E MANUTENZIONE

1. Prima di effettuare la pulizia del forno bisogna staccare il cavo di collegamento dalla rete elettrica.
2. L'interno del forno deve essere sempre pulito. Quando i pezzi di cibo, il liquido fuoriuscito o le gocce di grasso sporcano le pareti interne del forno, bisogna pulirle subito con una spugna umida. L'uso dei detersivi abrasivi e aggressivi non è consigliabile.
3. La parte esterna del forno va pulita con una spugna umida. Per evitare i danni ai pezzi all'interno del forno, fate attenzione di non rovesciare dell'acqua nelle aperture di aerazione.
4. Non bagnate il pannello di comando. Pulirlo con una spugna morbida, umida. Per la pulizia di pannello di comando non dovete usare detersivi aggressivi, abrasivi o spray.
5. Se si accumula il vapore all'interno o all'esterno sulle superfici del forno, va asciugato con un panno morbido. Questo può succedere se usate il forno a microonde negli ambienti molto umidi e certo non è indice di malfunzionamento del forno.
6. Ogni tanto bisogna estrarre il vasoio di vetro e lavarlo. Lo si può lavare nell'acqua tiepida con l'aggiunta di detersivo per piatti o nella lavastoviglie.
7. Il cerchio e il fondo del forno all'interno del forno deve sempre essere pulito, altrimenti il funzionamento è rumoroso. Pulire il fondo del forno con una spugna umida e il detersivo oppure con il spray per vetri ed asciugare per bene. Il cerchio su cui è appoggiato il vasoio di vetro può essere lavato anche nella lavastoviglie. Dopo un'uso prolungato si possono accumulare sulle rotelline del cerchio i vapori della cottura, ma questo non incide sul funzionamento del cerchio. Quando state eliminando il cerchio dal fondo del forno, fate attenzione a rimetterlo correttamente al suo posto.
8. Possibile odore sgradevole dal forno a microonde può essere eliminato posizionando nel forno una ciottola con dell'acqua e la buccia di limone. Accendere il forno per 5 minuti e quando si spegne pulire ed asciugare l'interno con un panno morbido.
9. Se dovete sostituire la lampadina all'interno del forno, rivolgetevi al venditore.



## TUTELA DELL'AMBIENTE

Per contribuire alla tutela dell'ambiente, non gettate l'apparecchio tra i rifiuti domestici quando non viene più utilizzato, ma consegnatelo a un centro di raccolta ufficiale.

## ISTRUZIONI DI FUNZIONAMENTO

### MONTAGGIO DEL FORNO A MICROONDE

1. Verificare se avete tolto dall'interno dello sportello tutto il materiale di imballaggio. Non rimuovere il cartone di protezione che serve da protezione del magnetron.
2. Quando eliminate l'imballaggio verificare se ci sono danni visibili nel forno tipo:
  - sportello appeso inclinato,
  - sportello danneggiato,
  - ammaccature e buchini nel vetro dello sportello o sul display,
  - ammaccature all'interno del forno.Non usare il forno a microonde se notate qualcuno dei danni sopraindicati.
3. Il forno a microonde pesa circa 14,5 kg; bisogna posizionarlo su una superficie dritta e forte che sosterrà questo peso.
4. Posizionare il forno lontano dai fonti di alte temperature e di umidità.
5. Non posizionare niente sotto il forno.
6. Per assicurare l'aerazione a sufficienza bisogna lasciare uno spazio ai lati del forno di almeno 20 cm e sopra il forno di almeno 30 cm. Il microonde non deve essere collocato all'interno di un armadio o di un pensile.
7. Non togliere la giunzione di appoggio l'albero di trasmissione del vasoio piatto girevole.
8. Come con tutti gli altri apparecchi, l'uso da parte dei bambini deve essere sorvegliato dagli adulti.
9. La presa elettrica deve essere facilmente accessibile per consentire il rapido scollegamento dell'unità in caso di emergenza. Oppure deve essere possibile isolare il forno dall'alimentazione azionando l'apposito interruttore nell'impianto in conformità con le norme impiantistiche. Collegare l'elettrodomestico ad una presa installata monofase con corrente alternata 230 V/50 Hz mediante una presa di terra correttamente installata. **ATTENZIONE! IL PRESENTE APPARECCHIO DEVE ESSERE COLLEGATO A TERRA.** Il costruttore

produttore declina qualsiasi responsabilità in caso di mancata osservanza di questa misura di sicurezza.

10. Il forno necessita di 1,4 kVA di potenza d'entrata.  
Consigliamo di consultarsi con un tecnico riguardo al collocamento del forno.

**ATTENZIONE: Il forno possiede la propria protezione e cioè il fusibile 250 V, 10 A.**

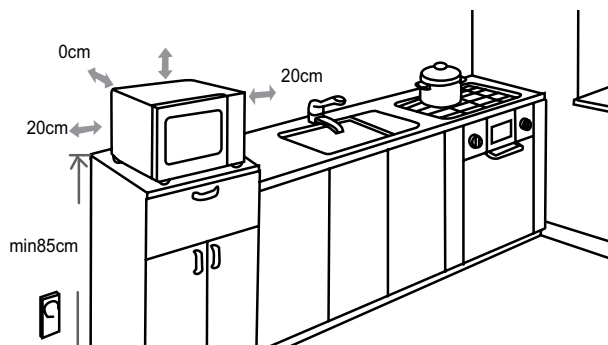
## SPECIFICAZIONI

Consumo energia elettrica 220-240V-50Hz, 1400W  
Potenza d'uscita ..... 900W  
Bruciatore per grill: ..... 1200W  
Frequenza di funzionamento: ..... 2450MHz  
Misure esterne: ..... 510 mm(L) X 303 mm(A) X 425 mm(P)  
Volume del forno: ..... 23 litri  
Peso senza imballaggio ..... Circa 14,5 kg  
Livello rumore: ..... Lc < 58 dB(A) Lc



**Questo apparecchio dispone di contrassegno ai sensi della direttiva europea 2012/19/EU in materia di apparecchi elettrici ed elettronici (waste electrical and electronic equipment - WEEE). Questa direttiva definisce le norme per la raccolta e il riciclaggio degli apparecchi dimessi valide su tutto il territorio dell'Unione Europea.**

## POSIZIONAMENTO



## INTERFERENZE RADIO

Il forno a microonde può provocare le interferenze disturbi di ricevimento agli apparecchi radio, nei Vostri apparecchi (alla televisione, radio e altri apparecchi simili). Se si verificano le interferenze, quest'ultime si possono eliminare o diminuire con i seguenti accorgimenti:

- a) Pulire lo sportello e le superfici delle guarnizioni del forno.
- b) Place the radio, TV, etc. as far away from your microwave oven as possible.
- c) Use a properly installed antenna for your radio, TV, etc. to get a strong signal reception.
- b) Posizionare la radio, TV, ecc. il più lontano possibile dal forno a microonde.
- c) Utilizzare un'antenna correttamente installata per la radio, TV, ecc. per ottenere un segnale forte di ricezione.

1. Se il forno non funziona affatto, se sul display non appare niente o se il display si spegne:
  - a) Verificare se il forno è collegato correttamente alla rete elettrica. Se non è così, togliete la spina dalla presa di corrente, aspettate 10 secondi e ricollegatelo di nuovo.
  - b) Verificare se si è bruciato qualche fusibile oppure si è interrotta la corrente elettrica sul fusibile generale. Se non ci sono problemi con i fusibili, verificare la presa con un'altro apparecchio elettrico.
2. Se il forno a microonde non scalda cioè non emana l'energia delle onde magnetiche:
  - a) Verificare se il timer è impostato bene.
  - b) Verificare se lo sportello è chiuso bene e se le chiusure di sicurezza sono a posto, altrimenti l'energia del microonde non si emanerà.  
**Se con l'aiuto dei consigli sopra indicati non avete risolto i problemi, vi dovete rivolgere al servizio d'assistenza autorizzato più vicino.**

**Nota: L'apparecchio è destinato all'uso domestico per riscaldare le pietanze e le bevande con l'aiuto di energia elettromagnetica. Usare l'apparecchio solo negli ambienti chiusi.**

SI RISERVA IL DIRITTO DI APPORTARE QUALSIASI MODIFICA CHE NON INFLUISCE SULLE FUNZIONALITÀ DELL'APPARECCHIO.

## GARANZIA E ASSISTENZA

Per ulteriori informazioni o eventuali problemi, contattate il Centro Assistenza Clienti Gorenje locale (il numero di telefono è riportato nella foglio di garanzia internazionale). Qualora non fosse disponibile un Centro Assistenza Clienti locale nel vostro Paese, rivolgetevi al rivenditore autorizzato Gorenje oppure contattate il Reparto assistenza Gorenje Domestic Appliances per gli elettrodomestici.

Sono possibili eventuali differenze nelle tonalità di colore tra diversi apparecchi o componenti che fanno parte della stessa linea, che possono essere causati da diversi fattori, quali l'angolo da cui si osserva il prodotto e differenze nei colori dello sfondo, nei materiali e nell'illuminazione della stanza.

### **Solo per l'uso personale!**

Altri consigli per la cottura con il forno a microonde e con il grill troverete sul sito internet:

<http://www.gorenje.it>

**CI PRENDIAMO IL DIRITTO DI CAMBIAMENTI!  
UTILIZZANDO IL FORNO A MICROONDE VI AUGURA  
MOLTO PIACERE LA GORENJE**

# gorenje

Ci riserviamo il diritto di apportare eventuali modifiche o errori nelle istruzioni per l'uso.

[www.gorenje.com](http://www.gorenje.com)