

INFINITY



Instruction manual / Microwave oven EN	4
Gebrauchsanweisung / Mikrowellengerät D	20
Notice d'utilisation / Micro-ondes F	38
Návod na použití / Mikrovlnná trouba CZ	56
Návod na obsluhu / Mikrovlnná rúra SK	72
Használati utasítás / Mikrohullámú sütő H	88
Instrukcja obsługi / Kuchenka mikrofalowa PL	106
Instruções de utilização / Forno de Micro-ondas PT	124
Gebruiksaanwijzing / Magnetron oven NL	142
Instrucciones para el uso / Microwave oven ES	160
Istruzioni per l'uso / Microwave oven IT	176

DEAR CUSTOMER

We sincerely thank you for your purchase. We believe you will soon find ample evidence that you can really rely on our products. To make the use of the appliance easier, we attach these comprehensive instruction manual.

The instructions should aid you in getting familiar with your new appliance. Please, read them carefully before using the appliance for the first time.

In any case, please make sure the appliance was supplied to you undamaged. Should you identify and transport damage, contact your sales representative or the regional warehouse from where the product was delivered. You will find the telephone number on the receipt or delivery report.

We wish you a lot of pleasure with your new household appliance.



The appliance for household use for heating food and beverages using electromagnetic energy, for indoor use only.

INSTRUCTIONS FOR USE

These instructions are intended for the user. They describe the cooker and how to use it. They also apply to different types of appliances, therefore you may find some descriptions of functions that may not apply to your appliance.

IMPORTANT SAFETY INSTRUCTIONS



Never touch the surfaces of heating or cooking appliances. They will become hot during operation. Keep children at a safe distance.

There is a risk of burning!



Microwave energy & High voltage!
Do not remove the cover.

WARNING! The appliance and its accessible parts become hot during use. Care should be taken to avoid touching heating elements. Children less than 8 years of age shall be kept away unless continuously supervised. Children should be supervised to ensure that they do not play with the appliance.

This appliance can be used by children aged from 8 years and above and persons with reduced physical, sensory or mental capabilities or lack of experience and knowledge if they have been given supervision or instruction concerning use of the appliance in a safe way and understand the hazards involved. Children shall not play with the appliance. Cleaning and maintenance shall not be made by children unless they are older than 8 and supervised.

Keep the appliance and its cord out of reach of children less than 8 years.

- **WARNING:** When the appliance is operated in the combination mode, children should only use the oven under adult supervision due to the temperatures generated; (Only for the model with grill function)

- **WARNING:** If the door or door seals are damaged, the oven must not be operated until it has been repaired by a competent person;
- **WARNING:** It is hazardous for anyone other than a competent person to carry out any service or repair operation that involves the removal of a cover which gives protection against exposure to microwave energy;
- **WARNING:** liquids and other foods must not be heated in sealed containers since they are liable to explode.
- Children should be supervised to ensure that they do not play with the appliance.
- Don't remove oven's feet, do not block air vents of the oven.
- Only use utensils that are suitable for use in microwave ovens.
- When heating food in plastic or paper containers, keep an eye on the oven due to the possibility of ignition;
- If smoke is observed, switch off or unplug the appliance and keep the door closed in order to stifle any flames;
- Microwave heating of beverages can result in delayed eruptive boiling, therefore care must be taken when handling the container;
- The contents of feeding bottles and baby food jars shall be stirred or shaken and the temperature checked before consumption, in order to avoid burns;
- Eggs in their shell and whole hard-boiled eggs should not be heated in microwave ovens since they may explode, even after microwave heating has ended;

- When cleaning surfaces of door, door seal, cavity of the oven, use only mild, nonabrasive soaps, or detergents applied with a sponge or soft cloth.
- The oven should be cleaned regularly and any food deposits removed;
- Failure to maintain the oven in a clean condition could lead to deterioration of the surface that could adversely affect the life of the appliance and possibly result in a hazardous situation;
- If the supply cord is damaged, it must be replaced by the manufacturer, its service agent or similarly qualified persons in order to avoid a hazard.
- Do not let the cord hang over the edge of the table or worktop.
- Never connect this appliance to an external timer switch or remote control system in order to avoid a hazardous situation.
- Never replace the light bulb inside the oven. It must always be replaced by Gorenje service.
- Do not clean the appliance with steam cleaners, high-pressure cleaners, sharp objects, abrasive cleaning agents, and abrasive sponges and stain removers.

SAFETY INSTRUCTIONS FOR GENERAL USE

Listed below are, as with all appliances, certain rules to follow and safeguards to assure top performance from this oven:

1. Always have the glass tray, roller arms, coupling and roller track in place when operating the oven.
2. Do not use the oven for any reason other than food preparation, such as for drying clothes, paper, or any other nonfood items, or for sterilizing purposes.
3. Do not operate the oven when empty. This could damage the oven.
4. Do not use the oven cavity for any type of storage, such as papers, cookbooks, etc.
5. Do not cook any food surrounded by a membrane, such as egg yolks, potatoes, chicken livers, etc without first being pierced several times with a fork.
6. Do not insert any object into the openings on the outer case.
7. Do not at any time remove parts from the oven such as the feet, coupling, screws, etc.
8. Do not cook food directly on the glass tray. Place food in/on proper cooking utensil before placing in the oven.

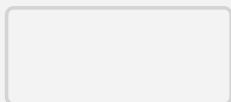
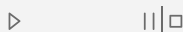
IMPORTANT - COOKWARE NOT TO USE IN YOUR MICROWAVE OVEN

- Do not use metal pans or dishes with metal handles.
 - Do not use anything with metal trim.
 - Do not use paper covered wire twist-ties on plastic bags.
 - Do not use melamine dishes as they contain a material which will absorb microwave energy. This may cause the dishes to crack or char and will slow down the cooking speed.
 - Do not use Centura Tableware. The glaze is not suitable for microwave use. Corelle Livingware closed handle cups should not be used.
 - Do not cook in a container with a restricted opening, such as a pop bottle or sealed oil bottle, as they may explode if heated in a microwave oven.
 - Do not use conventional meat or candy thermometers.
 - There are the thermometers available specifically for microwave cooking. These may be used.
9. Microwave utensils should be used only in accordance with manufacturer's instructions.
 10. Do not attempt to deep-fry foods in this oven.
 11. Please remember that a microwave oven only heats the liquid in a container rather than the container itself. Therefore, even though the lid of a container is not

hot to the touch when removed from the oven, please remember that the food/liquid inside will be releasing the same amount of steam and/or spitting when the lid is removed as in conventional cooking.

12. Always test the temperature of cooked food yourself especially if you are heating or cooking food/liquid for babies. It is advisable never to consume food/liquid straight from the oven but allow it to stand for a few minutes and stir food/liquid to distribute heat evenly.
13. Food containing a mixture of fat and water, e.g. stock, should stand for 30-60 seconds in the oven after it has been turned off. This is to allow the mixture to settle and to prevent bubbling when a spoon is placed in the food/liquid or a stock cube is added.
14. When preparing/cooking food/liquid and remember that there are certain foods, e.g. Christmas puddings, jam and mincemeat, which heat up very quickly. When heating or cooking foods with a high fat or sugar content do not use plastic containers.
15. Cooking utensil may become hot because of heat transferred from the heated food. This is especially true if plastic wrap has been covering the top and handles of the utensil. Potholders may be needed to handle the utensil.
16. To reduce the risk of fire in the oven cavity:
 - a) Do not overcook food. Carefully attend microwave oven if paper, plastic, or other combustible materials are placed inside the oven to facilitate cooking.
 - b) Remove wire twist-ties from bags before placing bag in oven.
 - c) If materials inside the oven should ignite, keep oven door closed, turn the oven off at the wall switch, or shut off power at the fuse or circuit breaker panel.

CONTROL PANEL



DISPLAY UNIT

Displays the selected functions and time.

DISPLAY UNIT ICONS

- Microwaves
- Grill
- Combined (microwaves + grill)
- * Δ h Rapid defrost, by time
- * Δ g Auto defrost, by weight
- Automatic programmes
- Minute minder (alarm)
- Clock (time of day)
- Child lock

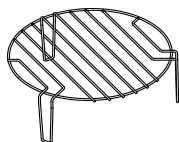
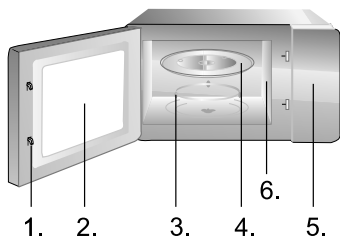
KEYS

- Microwaves
- Grill
- Combined (microwaves + grill)
- * Δ Defrosting
- Auto menu
- Minute minder/Clock

ROTARY KNOB

- Start
- Pause/Stop

DOOR OPENING KNOB



1. Door Safety Lock System
2. Oven Window
3. Roller Ring
4. Glass Tray
5. Control Panel
6. Wave guide (please do not remove the mica plate covering the wave guide)

Grill rack (Only be used for grill or for combination function and be placed on glass tray)

INSTRUCTIONS FOR USE

1. CLOCK

The oven is fitted with a digital clock. When the oven is in the standby mode, the clock can be set in the 24-hour mode by pressing the CLOCK key.

Example: To set the time to 8:30:

1. When the oven is in the standby mode, press and hold the CLOCK key for three seconds. The time display will start to flash. Set the hours to 08:00 by rotating the knob and pressing it when the desired number for hours is set.
2. Then, rotate the knob to set the minutes so that the display reads 08:30; then, press the knob to confirm.

NOTE: During cooking, clock can be displayed at any time by pressing the CLOCK key. Clock has to be set every time the oven is connected or re-connected to the power mains.

2. COOKING AND REHEATING WITH MICROWAVES

This function has two options:

a) Rapid heating with microwaves (100% power)

Example: Cooking with 100% power for 5 minutes.

1. Use the rotary knob to set the time to 05:00.
2. Press the START key to start the program.

b) Heating with microwaves with manual control

Example: Heating the food with a power of 600 W for 10 minutes.

1. Press the MICROWAVES key.
2. Press the MICROWAVE key several times or use the rotary knob to set the power level to 600 W. Confirm the setting by pressing on the knob.
3. Use the rotary knob to set the time to 10:00.
4. Press the START key to start the program.

There are 9 power levels available (in W): 900, 800, 700, 600, 500, 400, 300, 200, and 100; maximum operating time is 95 minutes.

3. GRILL

Grilling is especially suitable for thin slices of meat, escalopes or steaks, meat chops, skewers, sausages, or pieces of chicken. Grilling is also suitable for toasting bread or sandwiches and finishing dishes au gratin. Maximum operating time that can be set for the grill is 95 minutes.

Example: Grilling for 12 minutes

1. Press the GRILL key.
2. Rotate the knob to set the time to 12:00.

3. Press the START key to start the program.

NOTE: During cooking or grilling, the oven will automatically beep twice when halfway through the progress. This is to remind you to turn around the food. After this is done, close the oven door and press the START key. If you do not wish to turn around the food, cooking or grilling will continue.

4. COMBINED OPERATION

The oven will operate with microwaves 55 percent of the time, and with grill 45 percent of the time. This operating mode is suitable for cooking fish or dishes au gratin. Maximum operating time that can be set is 95 minutes.

Example: Set combined operation C-1 for 25 minutes.

1. Press the COMBINED mode key. »C-1« will appear on the screen.
2. Confirm the selected combination by pressing the knob.
3. Rotate the knob to set the time to 25:00.
4. Press the START key to start the program.

5. COMBINED OPERATION C-2

The oven will operate with microwaves 36 percent of the time, and with grill 64 percent of the time. This operating mode is suitable for cooking pudding, soufflés, omelettes, baked potatoes, and poultry. Maximum operating time that can be set is 95 minutes.

Example: Set combined operation C-2 for 25 minutes.

1. Press the COMBINED mode key twice, or set the desired mode by rotating the knob. »C-2« will appear on the screen. Confirm by pressing the KNOB.
2. Use the knob to set the time to 25:00.
3. Press the START key to start the program.

6. AUTO DEFROST

The oven allows defrosting of meat, poultry, and seafood. Defrosting time and operating power will be adjusted automatically according to the preset weight. Weight of the food to be defrosted may be between 100 g and 2000 g.

Example: Defrosting 600 g of frozen fish

1. Press the DEFROST key.
2. Rotate the knob to set the weight to 600 g.
3. Press the START key to start the program.

NOTE: During defrosting, the oven will automatically beep twice when halfway through the progress. This is to remind you to turn around the food. After this is done, close the

oven door and press the START key. If you do not wish to turn around the food, cooking or roasting will continue.

7. SPEED DEFROST

The oven also allows speed defrosting.

Example: Rapid defrosting of bread

1. Press the DEFROST key twice or select the symbol on the display unit which displays defrosting by time.
2. Rotate the knob to set the desired time.
3. Press the START key to start the program.

NOTE: During defrosting, the oven will automatically beep twice when halfway through the progress. This is to remind you to turn around the food. After this is done, close the oven door and press the START key. If you do not wish to turn around the food, cooking or grilling will continue.

8. AUTO MENU

For the food in the auto menu, only the type of food and the weight/amount have to be set. The oven will aid you in the setting of power and time.

Example:

1. Press the AUTO MENU key.
2. Press the AUTO MENU key several times or rotate the knob to select the desired type of food. Choose between programs from A1 to A8. Confirm the setting by pressing on the knob.
3. Rotate the knob to select the approximate weight/amount.
4. Press the START key to start the program.

Menu	Weight/amount	Microwave power
A1 Rapid reheating	150g	100%
	250g	
	350g	
	450g	
	600g	
A2 Liquid	1 cup	100%
A3 Popcorn	50g	100%
	100g	
A4 Meat	150g	100%
	300g	
	450g	
	600g	

Menu	Weight/amount	Microwave power
A5 Potatoes	230g	100%
	460g	
	690g	
A6 Vegetables	150g	100%
	350g	
	500g	
A7 Fish	150g	80%
	250g	
	350g	
	450g	
	650g	
A8 Pasta	50 g (450 ml water)	80%
	100 g (800 ml water)	
	150 g (1200 ml water)	

9. MULTI-STAGE COOKING

Microwave oven allows cooking in two steps.

Example: To defrost frozen meat for 10 minutes, then heat it for 5 minutes at 600 W:

1. Press the DEFROST key twice.
2. Use the knob to set the time to 10:00 and confirm.
3. Press the MICROWAVES key.
4. Use the knob to set the power to 600 W.
5. Press the START key to start the program.

NOTE: Defrost function can only be used in the first step. Auto menu cannot be a step in a multi-step cooking program.

10. QUICK START

Tips for using the oven

Use this function to rapidly heat (100% microwave power) or cook your food. In the standby mode, press the START key and the oven will operate for 30 seconds. With each consecutive press of the START key, the operating time will be extended by 30 seconds.

NOTE: Pressing the START key again will prolong the cooking time by 30 seconds in all programs except in automatic mode, multi-step cooking, and in the auto defrost mode.

11. CHILD LOCK

This function is used to prevent uncontrolled or inadvertent use of the oven by children. When the oven is locked, the relevant icon is displayed and the use of the oven is rendered impossible.

To lock the oven, press the AUTO MENU and CLOCK keys simultaneously. When you hear a beep, the oven is locked and the key symbol appears on the display unit. As long as the oven is locked, all keys are ineffective.

To unlock the oven, press the AUTO MENU and CLOCK keys again. When you hear a beep, the oven is unlocked.

12. COUNTDOWN TIMER/MINUTE MINDER

Use the countdown timer to set an alarm. The longest possible setting is 95 minutes.

Example:

1. Press the CLOCK key. The display will start to flash.
2. Use the knob to set the desired time.
3. Confirm with the knob and the countdown will start. After the time has expired, the oven will beep.

NOTE: Setting the countdown timer or minute minder does not affect oven operation and cannot be used as a cooking timer.

13. SETTING THE ALARM AND KEY SOUND

Use this function to set the loudness of the keys and other appliance sounds.

Press the settings key and hold it for approximately 5 seconds. »VOL« will appear on the display. Use the knob to set the desired loudness (volume). Press the knob to confirm.

NOTE: When the setting »OFF« is selected, the keys will not produce any sound upon being pressed; all other sounds such as the alarm, countdown timer, end-of-program beep, and fault beep will operate as normal.

CARE OF YOUR MICROWAVE OVEN

1. Turn the oven off and remove the power plug from the wall socket before cleaning.
2. Keep the inside of the oven clean. When food splatters of spilled liquids adhere to oven walls, wipe with a damp cloth. The use of harsh detergent or abrasives is not recommended.
3. The outside oven surface should be cleaned with a damp cloth. To prevent damage to the operating parts inside the oven, water should not be allowed to seep into the ventilation openings.
4. Do not allow the Control Panel to become wet. Clean with a soft, damp cloth. Do not use detergents, abrasives or spray-on cleaners on the control Panel.
5. If steam accumulates inside or around the outside of the oven door, wipe with a soft cloth. This may occur when the microwave oven is operated under high humidity conditions and in no way indicates malfunction of the unit.
6. It is occasionally necessary to remove the glass tray for cleaning. Wash the tray in warm sudsy water or in a dishwasher.
7. The roller ring and oven cavity floor should be cleaned regularly to avoid excessive noise. Simply wipe the bottom surface of the oven with mild detergent, water or window cleaner and dry. The roller ring may be washed in mild sudsy water or dishwasher. Cooking vapours collect during repeated use but in no way affect the bottom surface or roller ring wheels. When removing the roller ring from cavity floor for cleaning, be sure to replace it in the proper position.
8. Remove odors from your oven by combining a cup of water with the juice and skin of one lemon in a deep microwavable bowl. Microwave for 5 minutes, wipe thoroughly and dry with a soft cloth.

ENVIRONMENT

Do not throw away the appliance with the normal household waste at the end of its life, but hand it in at an official collection point for recycling. By doing this, you help to preserve the environment.

MOUNTING THE MICROWAVE OVEN

INSTALLATION

1. Make sure all the packing materials are removed from the inside of the door.
2. Inspect the oven after unpacking for any visual damage such as:
 - Misaligned Door
 - Damaged Door
 - Dents or Holes in Door Window and Screen
 - Dents in CavityIf any of the above are visible, DO NOT use the oven.
3. This Microwave Oven weighs 15 kg and must be placed on a horizontal surface strong enough to support this weight.
4. The oven must be placed away from high temperature and steam.
5. DO NOT place anything on top of the oven.
6. Keep the oven at least 20 cm away from both sidewalls and 30 cm away from rear wall to ensure the correct ventilation.
7. DO NOT remove the turn -table drive shaft.
8. As with any appliance, close supervision is necessary when used by children.
9. Make sure that the AC outlet is easily accessible so that the plug can be removed quickly in an emergency. Otherwise, it should be possible to disconnect the device using a switch from the circuit. In this case, the existing provisions of the electrical safety standards are considered.

The product has to be correctly installed on earthed socket with a single-phase AC (230 V/50 Hz).
WARNING! THIS APPLIANCE MUST BE EARTHED!
10. This oven requires 1.5 KVA for its input consultation with service engineer is suggested when installing the oven.

CAUTION: This oven is protected internally by a 250V, 10 Amp Fuse.

SPECIFICATIONS

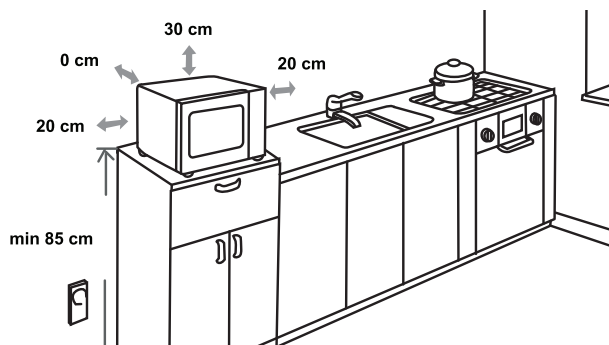
Power consumption.....	230V-50Hz, 1450W
Output power	900W
Grill heater	1000W
Operating Frequency	2450MHz
Outside Dimensions.....	515mm(W) x 305mm(H) x 392mm(D)
Oven Capacity	25 litres
Uncrated Weight	Approx. 15 kg
Noise level.....	Lc < 58 dB (A)



This appliance is marked according to the European directive 2012/19/EU on Waste Electrical and Electronic Equipment (WEEE).

This guideline is the frame of a European-wide validity of return and recycling on Waste Electrical and Electronic Equipment.

MOUNTING DIMENSIONS



RADIO INTERFERENCE

Microwave oven may cause interference to your radio, TV, or similar equipment. When interference occurs, it may be eliminated or reduced by the following procedures.

- Clean the door and sealing surface of the oven.
- Place the radio, TV, etc. as far away from your microwave oven as possible.
- Use a properly installed antenna for your radio, TV, etc. to get a strong signal reception.

WE RESERVE THE RIGHT TO MAKE ANY CHANGES THAT DO NOT AFFECT THE FUNCTIONALITY OF THE APPLIANCE.

BEFORE YOU CALL FOR SERVICE

1. If the oven will not perform at all, the information on the display does not appear or the display disappeared:
 - a) Check to ensure that the oven is plugged in securely. If it is not, remove the plug from the outlet, wait 10 seconds and plug it in again securely.
 - b) Check the premises for a blown circuit fuse or a tripped main circuit breaker. If these seem to be operating properly, test the outlet with another appliance.
2. If the microwave power will not function:
 - a) Check to see whether the timer is set.
 - b) Check to make sure that the door is securely closed to engage the safety interlocks. Otherwise, the microwave energy will not flow into the oven.

If none of the above rectify the situation, then contact the nearest authorized service agent.

The appliance for household use for heating food and beverages using electromagnetic energy, for indoor use only.

GUARANTEE & SERVICE

If you need information or if you have a problem, please contact the Gorenje Customer Care Centre in your country (you find its phone number in the worldwide guarantee leaflet). If there is no Customer Care Centre in your country, go to your local Gorenje dealer or contact the Service department of Gorenje domestic appliances.

For personal use only!

Additional recommendations for cooking with microwave and useful advices can be found on web side:

<http://www.gorenje.com>

WISHES YOU A LOT OF PLEASURE WHILE USING YOUR APPLIANCE

gorenje

SEHR GEEHRTER KUNDE

Das Mikrowellengerät ist für die Verwendung im Haushalt bestimmt.

Zum Verpacken unserer Produkte werden umweltfreundliche Materialien verwendet, die ohne Gefahr für die Umwelt wiederverwertet (recycelt), entsorgt oder vernichtet werden können.

Hierzu sind die Verpackungsmaterialien entsprechend gekennzeichnet.



Das Gerät ist ausschließlich zum Gebrauch im Haushalt bestimmt und zwar zum Erhitzen von Speisen und Getränken mit elektromagnetischer Energie. Verwenden Sie das Gerät nur in geschlossenen Räumen.

BEDIENUNGS- ANLEITUNG

Die Bedienungsanleitung ist für den Benutzer bestimmt. Sie beschreibt das Gerät und seine Bedienung. Sie gilt für verschiedene Gerätetypen, deswegen kann sie auch Beschreibungen von Funktionen beinhalten, die Ihr Gerät nicht besitzt.



Berühren Sie niemals die Oberflächen von Heiz- oder Kochgeräten. Sie werden während des Betriebs heiß. Halten Sie Kinder in einem sicheren Abstand. Es besteht die Gefahr von brennenden!



Mikrowellenenergie & Hochspannung!
Entfernen Sie nicht die Abdeckung

WARNUNG! Das Gerät und seine zugänglichen Teile werden im Betrieb heiß. Kontakt mit den Heizelementen sollte unbedingt vermieden werden.

Dieses Gerät kann von Kindern ab 8 Jahren sowie von Personen mit eingeschränkten körperlichen, sensorischen oder geistigen Fähigkeiten bzw. mit mangelnder Erfahrung verwendet werden, wenn sie unter Aufsicht stehen oder in die sichere Benutzung eingewiesen wurden und die damit verbundenen Gefahren verstehen. Kinder sind zu beaufsichtigen und sollten nicht mit dem Gerät spielen. Die Reinigung und Benutzerwartung darf nicht von Kindern ausgeführt werden, es sei denn, sie sind über 8 Jahre alt und stehen dabei unter Aufsicht.

- **HINWEIS:** Wenn das Gerät in der Betriebsart Kombi arbeitet, dürfen Kinder das Gerät wegen der sehr hohen Temperaturen nur unter sorgfältiger Aufsicht erwachsener Personen gebrauchen (gilt nur für Geräte mit Grillfunktion).
- **HINWEIS:** Bei Beschädigung der Gerätetür oder der Türdichtungen darf das Mikrowellengerät so lange nicht benutzt werden, bis es von einem autorisierten Kundendienstfachmann instandgesetzt worden ist.

- **HINWEIS:** Jegliche Reparatur- oder Kundendienstarbeiten, bei welchen die Abdeckung des Geräts entfernt werden muß und die von nicht autorisierten Personen durchgeführt werden, ist gefährlich und riskant.
- **HINWEIS:** Keine Flüssigkeiten oder Nahrungsmittel in dicht verschlossenen Gefäßen oder Verpackungen erhitzen, da diese bersten können.
- Die Gerätefüße nicht entfernen und die Lüftungsöffnungen nicht bedecken.
- Verwenden Sie ausschließlich mikrowellentaugliches Geschirr und Zubehör.
- Beim Erhitzen von Speisen in Kunststoff- oder Papierverpackung bzw.
- Behältern, den Vorgang wegen Brandgefahr beaufsichtigen.
- Bei Auftreten von Rauch den Mikrowellenherd sofort abschalten, das Gerät vom elektrischen Versorgungsnetz trennen und die Gerätetür geschlossen lassen, um eventuelle Flammen zu ersticken.
- Wenn Sie im Mikrowellengerät Getränke erhitzen, kann das Getränk nach einer gewissen Zeit sieden und überlaufen, deswegen immer besonders vorsichtig verfahren.
- Um Verbrühungen zu vermeiden, vor dem Verzehr den Inhalt von Babyflaschen oder Babynahrung umrühren oder durchschütteln und die Temperatur des Inhalts überprüfen.
- Im Mikrowellenherd keine rohen oder gekochten Eier in Schale erhitzen, da diese bersten können, auch nachdem das Erhitzen im Mikrowellengerät schon beendet ist.
- Verwenden Sie zum Reinigen der Gerätetür, der

Dichtungen und des Garraumes nur milde (keine abrasiven) Reinigungsmittel und tragen Sie diese mit einem Schwamm oder einem weichen Tuch auf.

- Reinigen Sie den Mikrowellenherd und entfernen Sie etwaige Speisereste regelmäßig.
- Wenn Sie das Mikrowellengerät nicht regelmäßig reinigen und instandhalten, kann es zum Verschleiß der Oberflächen kommen, was sich negativ auf die Lebensdauer des Geräts auswirkt und die Risiken beim Gebrauch erhöht.
- Wenn das Anschlußkabel beschädigt ist, darf dieses nur vom Hersteller, einem autorisierten Kundendienstfachmann oder einem anderen, entsprechend qualifizierten Fachmann ausgetauscht werden, um Gefahren zu vermeiden.
- Darauf achten, dass die Netzsteckdose leicht erreichbar ist, damit der Stecker im Notfall schnell abgezogen werden kann. Andernfalls muss, das Gerät mithilfe eines Schalters vom Stromkreis zu trennen sein. Dabei sollten die geltenden Bestimmungen der elektrischen Sicherheitsnormen berücksichtigt werden.
- Auf keinen Fall versuchen, die Garraumlampe selbst auszuwechseln, sondern nur von einem autorisierten Kundendienst auswechseln lassen!
- Wenn die Garraumlampe ausfallen sollte, wenden Sie sich bitte an Ihren Elektrohändler oder an den GORENJE Werkskundendienst.
- **VORSICHT:** Zur Reinigung dürfen keinesfalls kommerzielle Ofenreiniger, Dampfreiniger, Scheuermittel, scharfe Reinigungsmittel, natriumhydroxid enthaltende Reinigungsmittel oder Scheuerschwämme verwendet werden. Dies gilt für alle Teile des Gerätes. Säubern sie die Mikrowelle in regelmäßigen Abständen.

Im nachfolgenden Text sind einige Regeln und Sicherheitsmaßnahmen aufgeführt, die ähnlich wie beim Gebrauch anderer elektrischer Geräte, eingehalten werden müssen, damit eine sichere und effiziente Funktion des Geräts gewährleistet wird:

1. Sorgen Sie dafür, dass während des Betriebs des Mikrowellenherdes der Glasunterteller, die verbindungsstück und der Rollenring auf ihren Plätzen sind.
2. Verwenden Sie den Mikrowellenherd nur zum Zubereiten von Speisen und nicht zum Trocknen von Kleiderstücken, Papier oder anderen Gegenständen und auch nicht zum Sterilisieren.
3. Schalten Sie den Mikrowellenherd niemals ein, wenn der Garraum leer ist, da dadurch das Gerät beschädigt werden kann.
4. Bewahren Sie im Garraum keine Gegenstände auf, insbesondere keine Zeitschriften, Kochbücher, u.ä.
5. Garen Sie keine Lebensmittel, die mit einer Membran umgeben sind, wie z.B.: Eigelb, Kartoffeln, Hühnerleber, u.ä., ohne vorher die Membran an mehreren Stellen mit einer Gabel durchgestochen zu haben.
6. Stecken Sie keine Gegenstände in die Öffnungen an den Außenseiten des Mikrowellengeräts hinein.
7. Entfernen Sie niemals Geräteteile, z.B. Gerätefüße, Verriegelung, Schrauben, u.ä.
8. Garen Sie keine Speisen direkt auf dem Drehteller. Bevor Sie das Gargut in den Garraum stellen, legen Sie es in einen entsprechenden Behälter.

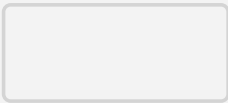
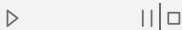
WICHTIG: Küchenzubehör, welches im

Mikrowellenherd nicht verwendet werden darf:

- Metallpfannen oder Kochtöpfe mit Metallgriffen, - Gefäße mit Metallrand,
- Geschirr aus Melamin, da es Stoffe enthält, welche die Mikrowellenenergie absorbieren. Das kann zum Springen oder Verbrennen des Geschirrs führen, außerdem wird der Erhitzungs-/Garvorgang verlangsamt.
- Verwenden Sie kein Geschirr ohne mikrowellengeeignete Beschichtung. Verwenden Sie ebenso keine geschlossenen Tassen mit Griffen.
- Bereiten Sie keine Speisen bzw. Getränke in Gefäßen mit verengter Öffnung (wie z.B. Flaschen) zu, da diese während des Erhitzungsvorgangs bersten kann.
- Verwenden Sie im Mikrowellenherd keine handelsüblichen Thermometer für Fleisch oder Süßspeisen. Sie dürfen nur Thermometer verwenden, die zum Gebrauch im Mikrowellenherd geeignet sind.

9. Verwenden Sie Zubehör für den Mikrowellenherd nur unter Beachtung der Gebrauchsanweisung des Herstellers.
10. Verwenden Sie den Mikrowellenherd niemals zum Frittieren.
11. Beachten Sie, dass im Mikrowellenherd nur die Flüssigkeit im Gefäß erhitzt wird und nicht das Gefäß selbst. Deswegen ist es möglich, dass die Flüssigkeit nach Entfernung des Deckels im Gefäß Dampf abgibt oder aus diesem Tropfen spritzen, obwohl der Deckel selbst nicht heiß ist.
12. Überprüfen Sie vor dem Verzehr immer die Temperatur der Speise, insbesondere, wenn diese für Kinder bestimmt ist. Wir empfehlen Ihnen, Speisen/Getränke niemals unmittelbar nach dem Herausnehmen aus dem Mikrowellenherd zu verzehren, sondern ein paar Minuten abzuwarten und die Speise/das Getränk umzurühren, damit sich die Hitze gleichmäßig verteilen kann.
13. Lassen Sie Speisen, die Fett und Wasser enthalten, z.B. Suppe, nach dem Abschalten des Mikrowellenherdes ungefähr noch 30 bis 60 Sekunden im Garraum stehen. Dadurch kann sich die Speise stabilisieren und es wird Siedeverzug verhindert, wenn Sie in die Flüssigkeit einen Löffel stellen oder einen Suppenwürfel hinzufügen.
14. Beachten Sie, dass sich einige Speisen, z.B. Weihnachtspudding, Marmelade oder Hackfleisch, sehr schnell erhitzen. Verwenden Sie zum Erhitzen oder Garen von Speisen mit hohem Fett- oder Zuckergehalt keine Kunststoffgefäße.
15. Zubehör, das Sie zur Zubereitung von Speisen im Mikrowellenherd benutzen, kann sich sehr stark erhitzen, da die Speise Wärme abgibt. Das gilt besonders für Gefäße, die mit einem Kunststoffdeckel zugedeckt sind und für Handgriffe aus Kunststoff. Verwenden Sie zum Herausnehmen der Gefäße wärmeisolierende Küchenhandschuhe.
16. Um die Brandgefahr im Garraum zu verringern:
 - a) die Speise nicht übermäßig lang garen.
Kontrollieren Sie sorgfältig den Erhitzungsvorgang, wenn sich im Garraum Papier-, Kunststoffbehälter oder andere leicht entzündliche bzw. brennbare Materialien befinden.
 - b) Bevor Sie Tüten in den Garraum stellen, zuerst die Drahtklammern (Blitzbinder) entfernen.
 - c) Wenn sich ein Gegenstand im Garraum entzündet, lassen Sie die Gerätetür geschlossen, trennen Sie das Gerät vom elektrischen Versorgungsnetz und schalten Sie die Hauptsicherung in ihrem Sicherungskasten ab.

BEDIENFELD



DISPLAY

Auf dem Display werden die ausgewählten Funktionen und die Tageszeit angezeigt.

IKONEN auf dem DISPLAY

- Mikrowellen
- Grill
- Kombination (Mikrowelle + Grill)
- *∅h Schnelles Auftauen nach Zeit
- *∅g Auftauen nach Gewicht (automatisch)
- Automatische Programme
- Kurzzeitwecker (Alarm)
- Uhr (Tageszeit)
- =∅ Kindersicherung (Sperrung)

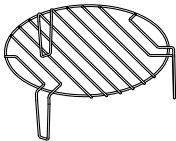
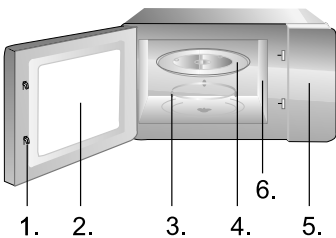
TASTEN

- Mikrowellen
- Grill
- Kombination (Mikrowelle + Grill)
- *∅ Auftauen
- Auto-Menü
- Kurzzeitwecker/Uhr

DREHKNEBEL

- ▶ Start
- |||◻ Pause/Stopp

TASTE ZUM ÖFFNEN DER GERÄTETÜR



1. Sicherheitsverriegelung der Gerätetür
2. Sichtfenster
3. Rollenring
4. Glasteller
5. Bedienfeld
6. Wellenführung (bitte die Silikatplatte, welche die Wellenführung überdeckt, nicht abnehmen).

Der Grillrost kann entweder für die Grillfunktion oder für die kombinierte Betriebsart Grill + Mikrowellen eingesetzt werden. Stellen Sie den Grillrost immer auf den Glasteller.

1. UHR

Der Mikrowellenherd ist mit einer Digitaluhr ausgerüstet. Wenn das Gerät im Stand-By Zustand ist, können Sie durch Drücken der Taste UHR die Zeit im 24-Stunden-Zyklus einstellen.

Beispiel: Zeit auf 8:30 einstellen

1. Wenn das Gerät im Stand-By Zustand ist, drücken Sie die Taste UHR und halten Sie sie 3 Sekunden lang gedrückt. Die Anzeige auf dem Display beginnt zu blinken. Stellen Sie durch Drehen des Knebels zuerst die Stunden (08) ein und drücken Sie diesen, um die Stunden zu bestätigen.
2. Stellen Sie darauf durch Drehen des Knebels die Minuten (30) ein und drücken Sie diesen, um die Minuten zu bestätigen.

HINWEIS: Während des Garvorgangs können Sie jederzeit die Tageszeit durch Drücken der Taste UHR aufrufen. Beim ersten Anschluss an das Stromnetz müssen Sie die Uhr einstellen.

2. ERHITZEN MIT MIKROWELLEN

Diese Funktion bietet zwei Möglichkeiten:

a) Schnelles Erhitzen mit Mikrowellen (100% Leistung)

Beispiel: Garen mit 100% Leistung, 5 Minuten lang

1. Stellen Sie mit dem Drehknebel die Zeit 05:00 ein.
2. Drücken Sie zum Starten des Garvorgangs die START-Taste.

b) Erhitzen mit Mikrowellen – mit manueller Abschaltung

Beispiel: Aufwärmen von Speisen mit der Leistungsstufe 600 W, 10 Minuten lang.

1. Drücken Sie die Taste MIKROWELLEN
2. Stellen Sie durch mehrmaliges Drücken der Taste MIKROWELLEN oder durch Drehen des Knebels die Leistungsstufe 600 W ein. Bestätigen Sie die Einstellung durch Drücken des Knebels.
3. Stellen Sie mit dem Drehknebel die Zeit 10:00 ein.
4. Drücken Sie zum Starten des Programms die START-Taste.

Sie können unter 9 Leistungsstufen wählen (W) (900, 800, 700, 600, 500, 400, 300, 200, 100 Watt), die maximale Betriebszeit beträgt 95 Minuten.

3. GRILL

Die Grillfunktion ist besonders gut zur Zubereitung von dünnen Fleischstücken, Schnitzeln, Koteletts, Spießen, Würsten oder Hähnchen geeignet. Die Grillfunktion ist auch zur Zubereitung von warmen Sandwiches und gratinierten Speisen geeignet. Die maximal einstellbare Grillzeit beträgt 95 Minuten.

Beispiel: Zubereitung von Fleisch mit dem Grill, 12 Minuten.

1. Drücken Sie die Taste GRILL.
2. Stellen Sie durch Drehen des Knebels die Zeit 12:00 ein.
3. Drücken Sie zum Starten des Programms die START-Taste.

HINWEIS: Nach der Hälfte der Zubereitungszeit ertönen zwei Pfeiftöne. Diese sollen Sie daran erinnern, das Gefriergut zu wenden oder umzurühren. Schließen Sie nach dem Wenden bzw. Umrühren des Gefrierguts die Gerätetür und drücken Sie die START-Taste, um mit dem Programm fortzufahren. Wenn Sie das Gefriergut nicht wenden bzw. umrühren, wird der Vorgang automatisch fortgesetzt.

4. KOMB-BETRIEB C-1

Der Mikrowellenherd arbeitet 55% der Zeit im Mikrowellenbetrieb und 45% der Zeit im Grillbetrieb. Diese Betriebsart ist zur Zubereitung von Fisch oder gratinierten Speisen geeignet. Die maximal einstellbare Zubereitungszeit beträgt 95 Minuten.

Beispiel: Kombi-Betrieb C-1 einstellen, 25 Minuten.

1. Drücken Sie die Taste KOMBI Auf dem Display erscheint C-1.
2. Bestätigen Sie den Kombi-Betrieb durch Drücken des Knebels.
3. Stellen Sie durch Drehen des Knebels die Zeit 25:00 Minuten ein.
4. Drücken Sie zum Starten des Programms die START-Taste.

5. KOMB-BETRIEB C-2

Der Mikrowellenherd arbeitet 36% der Zeit im Mikrowellenbetrieb und 64% der Zeit im Grillbetrieb. Diese Betriebsart ist zur Zubereitung von Pudding, Aufläufen, Omeletten, Bratkartoffeln und Geflügel geeignet. Die maximal einstellbare Zubereitungszeit beträgt 95 Minuten.

Beispiel: Kombi-Betrieb C-2 einstellen, 25 Minuten.

1. Drücken Sie zweimal die Taste KOMBI oder stellen Sie das Programm durch Drehen des Knebels ein. Auf dem Display erscheint C-2. Bestätigen Sie die Einstellung durch Drücken des Knebels.

2. Stellen Sie durch Drehen des Knebels die Zeit 25:00 Minuten ein.
3. Drücken Sie zum Starten des Programms die START-Taste.

6. AUFTAUEN (AUTOMATISCH)

Der Mikrowellenherd ermöglicht das automatische Auftauen von Fleisch, Geflügel und Meeresfrüchten. Die Auftauzeit und die Leistungsstufe werden automatisch an das voreingestellte Gewicht angepasst. Sie können Gefriergut mit einem Gewicht zwischen 100 g und 2.000 g automatisch auftauen.

Beispiel: Auftauen von 600 g gefrorenen Fischen.

1. Drücken Sie die Taste AUFTAUEN
2. Stellen Sie durch Drehen des Knebels das Gewicht auf 600 g ein.
3. Drücken Sie zum Starten des Programms die START-Taste.

HINWEIS: Nach der Hälfte der Auftauzeit ertönen zwei Pfeiftöne. Diese sollen Sie daran erinnern, das Gefriergut zu wenden oder umzurühren. Schließen Sie nach dem Wenden bzw. Umrühren des Gefrierguts die Gerätetür und drücken Sie die START-Taste, um mit dem Programm fortzufahren. Wenn Sie das Gefriergut nicht wenden bzw. umrühren, wird der Vorgang automatisch fortgesetzt.

7. SCHNELLES AUFTAUEN

Der Mikrowellenherd ermöglicht auch das schnelle Auftauen von gefrorenen Lebensmitteln.

Beispiel: Schnelles Auftauen von Brot.

1. Drücken Sie zweimal die Taste AUFTAUEN oder wählen Sie das entsprechende Symbol auf dem Display (Auftauen nach Zeit).
2. Stellen Sie durch Drehen des Knebels eine beliebige Zeit ein.
3. Drücken Sie zum Starten des Programms die START-Taste.

HINWEIS: Nach der Hälfte der Auftauzeit ertönen zwei Pfeiftöne. Diese sollen Sie daran erinnern, das Gefriergut zu wenden oder umzurühren. Schließen Sie nach dem Wenden bzw. Umrühren des Gefrierguts die Gerätetür und drücken Sie die START-Taste, um mit dem Programm fortzufahren. Wenn Sie das Gefriergut nicht wenden bzw. umrühren, wird der Vorgang automatisch fortgesetzt.

Zum Auftauen von gefrorenen Lebensmitteln mit dem Auto-Menü, müssen Sie nur die Art und die Masse des Gefrierlags einstellen. Der Mikrowellenherd schlägt Ihnen die geeignete Leistungsstufe und Auftauzeit vor.

Beispiel:

1. Drücken Sie die Taste AUTO-MENÜ.
2. Wählen Sie durch mehrmaliges Drücken der Taste AUTO-MENÜ oder Drehen des Knebels die Art des Gefrierlags aus. Sie können unter den Programmen A1 bis A8 auswählen. Bestätigen Sie die Einstellung durch Drücken des Knebels.
3. Wählen Sie durch Drehen des Knebels die Masse/ Einheit aus.
4. Drücken Sie zum Starten des Programms die START-Taste.

Menü	Masse/Einheit	Leistungsstufen
A1 Schnelles Erhitzen	150g	100%
	250g	
	350g	
	450g	
	600g	
A2 Flüssigkeit	1 Tasse	100%
A3 Popcorn	50g	100%
	100g	
A4 Fleisch	150g	100%
	300g	
	450g	
	600g	
A5 Kartoffeln	230g	100%
	460g	
	690g	
A6 Gemüse	150g	100%
	350g	
	500g	
A7 Fisch	150g	80%
	250g	
	350g	
	450g	
	650g	

Menü	Masse/Einheit	Leistungsstufen
A8 Teigwaren	50 g (450 ml Wasser)	80%
	100 g (800 ml Wasser)	
	150 g (1.200 ml Wasser)	

9. GAREN IN MEHREREN SCHRITTEN

Der Mikrowellenherd ermöglicht das Garen in zwei Schritten.

Beispiel: Sie möchten zuerst das gefrorene Fleisch auftauen und danach noch 5 Minuten mit der Leistungsstufe 600 W garen.

1. Drücken Sie zweimal die Taste AUFTAUEN
2. Stellen Sie durch Drehen des Knebels die Zeit 10:00 ein und bestätigen Sie die Auswahl.
3. Drücken Sie die Taste MIKROWELLEN
4. Stellen Sie durch Drehen des Knebels die Leistungsstufe 600 W ein.
5. Drücken Sie zum Starten des Programms die START-Taste.

HINWEIS: Sie können die Auftaufunktion nur im ersten Schritt benutzen. Das Auto-Menü kann kein Schritt des Garvorgangs in Schritten sein.

10. QUICK START

Tipps

Diese Funktion wird zum schnellen Erhitzen (Mikrowellen 100%) bzw. Garen verwendet. Wenn der Mikrowellenherd im Stand-By Zustand ist, drücken Sie die START-Taste und ein 30 Sekunden langer Betrieb wird gestartet. Durch jede weitere Betätigung der START-Taste wird die Betriebszeit um 30 Sekunden verlängert.

HINWEIS: Durch jede weitere Betätigung der START-Taste wird die Betriebszeit bei allen Programmen um 30 Sekunden verlängert, außer beim automatischen Garen, Garen in Schritten oder automatischem Auftauen.

11. KINDERSICHERUNG

Die Funktion dient dazu, Kindern die Benutzung des Geräts unmöglich zu machen. Wenn das Gerät gesperrt ist, erscheint auf dem Display die entsprechende Ikone und die Benutzung des Mikrowellenherdes ist nicht möglich.

Wenn Sie den Mikrowellenherd sperren möchten, drücken Sie gleichzeitig die Tasten AUTO-MENÜ und UHR. Wenn Sie den Pfeifton hören, wird der Mikrowellenherd gesperrt und auf dem Display erscheint das Schlüssel-Symbol. Im

gesperrten Zustand lässt sich der Mikrowellenherd mit den Tasten nicht mehr steuern.

Wenn Sie den Mikrowellenherd entriegeln möchten, drücken Sie noch einmal die Tasten AUTO-MENÜ und UHR. Wenn der Pfeifton ertönt, ist die Kindersicherung deaktiviert.

12. TIMER

Mit dem Timer können Sie den Kurzzeitwecker einstellen, der Sie nach einer beliebig einstellbaren Zeit akustisch warnt. Die maximale Einstellung beträgt 95 Minuten.

Beispiel:

1. Drücken Sie die Taste UHR. Der Text auf dem Display beginnt zu blinken.
2. Stellen Sie durch Drehen des Knebels die gewünschte Zeit ein.
3. Bestätigen Sie die Auswahl durch Drücken des Knebels und der Kurzzeitwecker beginnt mit der Abzählung der Zeit. Nach Ablauf der eingestellten Zeit warnt Sie das Gerät mit einem akustischen Signal.

HINWEIS: Die Einstellung des Kurzzeitweckers hat keinen Einfluss auf den Betrieb des Mikrowellenherds.

13. EINSTELLUNG DES SIGNALTONS

Mit dieser Funktion können Sie die Lautstärke der Tastenbetätigung und des akustischen Signals einstellen.

Drücken Sie den Einstellknebel und halten Sie ihn ca. 5 Sekunden lang gedrückt. Auf dem Display erscheint die Meldung VOL. Stellen Sie mit dem Knebel die gewünschte Lautstärke ein. Drücken Sie den Knebel zur Bestätigung der Auswahl.

HINWEIS: Wenn die Einstellung auf „OFF“ eingestellt ist, sind die Tastentöne ausgeschaltet, alle anderen Töne wie z.B. Alarm, Kurzzeitwecker, Betriebsende und Fehler arbeiten normal.

1. Bevor Sie mit der Reinigung des Mikrowellenherdes beginnen, trennen Sie das Gerät vom elektrischen Versorgungsnetz.
2. Der Garraum sollte immer sauber gehalten werden. Wischen Sie getrocknete Speisereste, herausgespritzte oder verschüttete Flüssigkeiten mit einem feuchten Tuch von den Innenwänden ab. Die Verwendung von groben Reinigungs- oder abrasiven Scheuermitteln ist nicht empfehlenswert.
3. Wischen Sie die Außenflächen des Geräts mit einem feuchten Tuch ab. Um Beschädigungen im Garraums des Geräts zu vermeiden, lassen Sie kein Wasser oder andere Flüssigkeiten in das Geräteinnere oder in die Lüftungsöffnungen eindringen.
4. Lassen Sie das Bedienfeld nicht naß werden. Reinigen Sie das Bedienfeld mit einem weichen und feuchten Tuch. Verwenden Sie zum Reinigen des Bedienfeldes keine groben (abrasiven) Reinigungsmittel oder Reinigungsmittel in Spraydosen.
5. Bei Niederschlag von Wasserdampf an der Innen- bzw. Außenseite der Gerätetür, wischen Sie diese mit einem weichen Tuch ab. Diese Erscheinung ist möglich, wenn der Mikrowellenherd in einer sehr feuchten Umgebung betrieben wird und bedeutet nicht, dass das Gerät eine Betriebsstörung hat.
6. Von Zeit zu Zeit ist es notwendig, den Glasunterteller herauszunehmen und zu reinigen. Reinigen Sie den Drehteller in warmem Wasser mit etwas Geschirrspülmittel oder in der Geschirrspülmaschine.
7. Der Rollenring und der Geräteboden des Garraums müssen regelmäßig gereinigt werden, um Lärmentwicklung während des Betriebs zu vermeiden. Wischen Sie den Geräteboden im Garraum einfach mit einem milden Spülmittel, Wasser oder einem Glasreiniger ab und reiben Sie dann alles mit einem sauberen und trockenen Tuch trocken. Sie können den Rollenring in warmem Wasser mit etwas Spülmittel oder in der Geschirrspülmaschine reinigen. Nach längerer Benutzung können sich auf den Rädern des Rollenringes Dämpfe von Speisen ansammeln, was ihre Funktion jedoch nicht beeinflusst. Wenn Sie den Rollenring aus der Vertiefung im Garraum entfernt haben, passen Sie auf, dass Sie diesen später richtig einsetzen.

8. Eventuelle unangenehme Gerüche im Garraum können Sie entfernen, indem Sie ein hohes mikrowellengeeignetes Gefäß mit Zitronensaft und Zitronenschalen in das Geräteinnere hineinstellen. Stellen Sie das Gefäß für 5 Minuten in den Garraum und schalten Sie das Gerät ein. Wischen Sie nach Beendigung der eingestellten Zeit den Garraum mit einem weichen Tuch ab und reiben Sie ihn trocken.

UMWELTSCHUTZ

Werfen Sie das Gerät am Ende der Lebensdauer nicht in den normalen Hausmüll. Bringen Sie es zum Recycling zu einer offiziellen Sammelstelle. Auf diese Weise helfen Sie, die Umwelt zu schonen.

MONTAGE DER MIKROWELLENGERÄT

AUFSTELLUNG

1. Überprüfen Sie, ob das komplette Verpackungsmaterial aus dem Geräteinneren entfernt wurde.
2. Überprüfen Sie beim Entfernen der Verpackung, ob es am Mikrowellengerät zu sichtbaren Beschädigungen gekommen ist, wie z.B.:
 - schief hängende Gerätetür,
 - beschädigte Gerätetür,
 - Dellen oder Löcher im Glas (Sichtfenster), an der Gerätetür oder am Display,
 - Dellen im Geräteinneren.Wenn Sie irgendeinen der oben genannten Schäden bemerken, dürfen Sie den Mikrowellenherd nicht benutzen.
3. Der Mikrowellenherd wiegt 15 kg; stellen Sie ihn auf eine waagrechte Unterlage, die genügend stabil ist, um sein Gewicht auszuhalten.
4. Den Mikrowellenherd in ausreichender Entfernung von Wärmequellen und Wasserdampf aufstellen.
5. Keine Gegenstände auf dem Mikrowellenherd aufbewahren.
6. Um eine ausreichende Belüftung zu gewährleisten, sollte an den Seiten des Mikrowellenherdes mindestens 20 cm und über dem Gerät 30cm freier Raum zur Verfügung stehen.
7. Die Antriebswelle des Drehgestells NICHT entfernen.
8. Kinder dürfen den Mikrowellenherd nur unter Aufsicht Erwachsener benutzen.
9. Die Steckdose, an welche der Mikrowellenherd angeschlossen ist, muß leicht zugänglich sein. Das Gerät an einer korrekt installierten geerdeten Steckdose mit einem einphasigen Wechselstromanschluss (230 V/50 Hz) verbinden. **WARNUNG! DIESES GERÄT MUSS GEERDET SEIN!** Bei Nichteinhaltung lehnt der Hersteller jegliche Haftung ab.
10. Der Mikrowellenherd benötigt 1,5 kVA Eingangsleistung. Wir empfehlen Ihnen, sich über die Aufstellung des Mikrowellenherdes mit einem Kundendienst-Fachmann oder einem entsprechendem anderen Fachmann zu beraten.

ACHTUNG: Der Mikrowellenherd verfügt über eine eigene Schutzeinrichtung und zwar über eine Sicherung 250V, 10A.

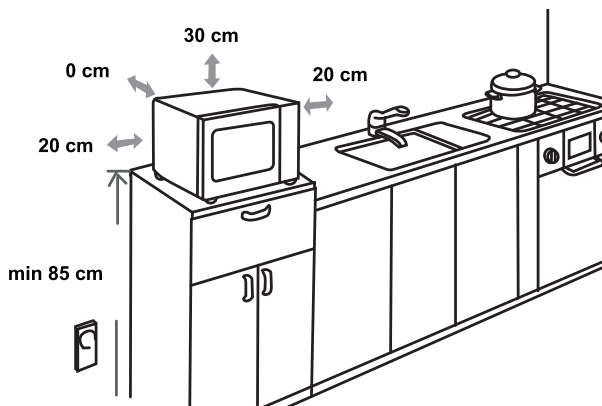
TECHNISCHE DATEN

Stromaufnahme	230V-50Hz, 1450W
Ausgangsleistung.....	900W
Grillheizkörper	1000W
Betriebsfrequenz.....	2450MHz
Außenmaße.....	515mm(B) x 305mm(H) x 392mm(T)
Volumen.....	25 l
Masse ohne Verpackungsmaterial	C.a. 15 kg
Schallpegel - niveau	Lc < 58 dB (A)



Dieses Gerät ist entsprechend der europäischen Richtlinie 2012/19/EU über Elektro- und Elektronikaltgeräte (waste electrical and electronic equipment - WEEE) gekennzeichnet. Die Richtlinie gibt den Rahmen für eine EU-weit gültige Rücknahme und Verwertung der Altgeräte vor.

EINBAU DES MIKROWELLENGERÄT



FUNKSTÖRUNGEN (INTERFERENZEN)

Der Mikrowellenherd kann Empfangsstörungen bei Rundfunk-, Fernseh- und anderen Geräten verursachen. Wenn es zu Störungen kommen sollte (Interferenzen), können Sie diese mit folgenden Maßnahmen beseitigen oder vermindern:

- Reinigen Sie die Gerätetür und die Dichtungen am Mikrowellenherd.
- Stellen Sie Ihr Rundfunk- oder Fernsehgerät so weit wie möglich vom Mikrowellenherd auf.
- Verwenden Sie für Ihr Rundfunk- bzw. Fernsehgerät eine entsprechend montierte Antenne, die den bestmöglichen Empfang gewährleistet.

WIR BEHALTEN UNS DAS RECHT ZU ÄNDERUNGEN VOR, DIE AUF DIE FUNKTIONALITÄT DES GERÄTS KEINEN EINFLUSS NEHMEN.

BEVOR SIE DEN KUNDENDIENST ANRUFEN

1. Wenn der Mikrowellenherd überhaupt nicht funktioniert, wenn auf dem Display kein Text sichtbar ist oder wenn das Display erlischt:
 - a) Überprüfen Sie, ob der Mikrowellenherd fachgerecht an das elektrische Versorgungsnetz angeschlossen ist. Wenn nicht, ziehen Sie den Stecker aus der Steckdose, warten Sie 10 Sekunden und stecken Sie den Stecker wieder in die Steckdose.
 - b) Überprüfen Sie, ob die Sicherung durchgebrannt bzw. ob der Stromkreis an der Hauptsicherung unterbrochen ist. Wenn an den Sicherungen keine Störungen sichtbar sind, testen Sie die Steckdose mit einem anderen elektrischen Gerät.
2. Wenn der Mikrowellenherd nicht heizt, d.h. wenn er keine Mikrowellenenergie abgibt:
 - a) Überprüfen Sie, ob die Zeitschaltuhr richtig eingestellt ist.
 - b) Überprüfen Sie, ob die Gerätetür fest geschlossen und die Sicherheitsverriegelung eingeschnappt ist. Wenn das nicht der Fall ist, wird die Mikrowellenenergie nicht freigesetzt.

GARANTIE UND KUNDENDIENST

Benötigen Sie weitere Informationen oder treten Probleme auf, setzen Sie sich mit einem Gorenje Service-Center in Ihrem Land in Verbindung (Telefonnummer siehe internationale Garantieschrift). Sollte es in Ihrem Land kein Service-Center geben, wenden Sie sich bitte an Ihren Gorenje Händler.

Nur zum eigenen Gebrauch!

Zusätzliche Informationen bezüglich zum Braten mit Mikrowellen und Grill sowie nützliche Hinweise und Empfehlungen finden Sie auf unserer Homepage:

<http://www.gorenje.de>

WIR WÜNSCHEN IHNEN VIEL FREUDE MIT IHREM NEUEN MIKROWELLENHERD!

gorenje

CHÈRE CLIENTE

Nous vous remercions vivement d'avoir acheté un appareil de notre marque et vous félicitons de votre choix.

Pour vous faciliter l'utilisation de votre nouvel appareil, nous avons rédigé une notice détaillée ; elle vous aidera à vous familiariser avec lui. Nous vous recommandons de la lire attentivement avant de mettre votre appareil en service.

Vérifiez d'abord que votre appareil est arrivé en bon état. En cas de dommages dus au transport, veuillez contacter immédiatement votre détaillant. Vous trouverez son numéro de téléphone sur la facture ou le bon de livraison qui vous a été remis lors de l'achat.

Nous vous souhaitons de prendre beaucoup de plaisir à cuisiner avec votre nouvel appareil.



Cet appareil est destiné à un usage domestique pour le réchauffage, la cuisson et la décongélation des aliments et des boissons au moyen d'ondes électromagnétiques. Il ne doit pas être utilisé en plein air.

NOTICE D'UTILISATION

Cette notice est destinée à l'utilisateur. Elle décrit l'appareil et la manière de s'en servir. Ce manuel est rédigé pour différents modèles et il est donc possible qu'il décrive des fonctions dont votre appareil ne dispose pas.

CONSIGNES DE SÉCURITÉ IMPORTANTES



Ne touchez jamais les éléments chauffants des appareils de cuisson. Ils deviennent chauds pendant le fonctionnement. Tenez les enfants à distance de sécurité. Il existe un risque de brûlure!



Énergie micro-ondes et haute tension ! Ne retirez pas le panneau de protection contre l'exposition aux micro-ondes.

ATTENTION: Les enfants à partir de 8 ans et les personnes disposant de capacités physiques, sensorielles ou mentales réduites, ou manquant d'expérience et de connaissances, peuvent utiliser cet appareil sous surveillance, à condition d'avoir reçu des instructions sur la manière de s'en servir en toute sécurité et d'avoir compris les risques auxquels ils s'exposent. Les enfants ne doivent pas jouer avec l'appareil ni procéder sans surveillance à son nettoyage et à son entretien.

L'appareil et ses éléments accessibles deviennent chauds durant l'utilisation. Faites bien attention à ne pas toucher les résistances. Maintenez les enfants de moins de 8 ans à l'écart de l'appareil, sauf si vous les surveillez en permanence.

- **ATTENTION :** lorsque l'appareil fonctionne en mode combiné, les enfants ne devraient s'en servir que sous la surveillance d'un adulte en raison de la température élevée générée par le gril. (Cette consigne s'applique seulement aux modèles disposant de la fonction gril).

- **ATTENTION :** si la porte ou le joint de la porte sont endommagés, n'utilisez pas l'appareil tant qu'il n'a pas été réparé par un technicien compétent.
- **ATTENTION :** il est dangereux pour toute autre personne qu'un technicien de procéder à des réparations impliquant la dépose d'un panneau de protection contre l'exposition aux micro-ondes.
- **ATTENTION :** il ne faut pas chauffer les liquides et autres aliments dans des récipients fermés hermétiquement, car ces derniers risquent d'exploser.
- N'enlevez pas les pieds de l'appareil et n'obstruez pas les fentes d'aération.
- Utilisez exclusivement une batterie de cuisine et des ustensiles compatibles avec un four à micro-ondes.
- Lorsque vous réchauffez des aliments dans des barquettes en plastique ou en papier, gardez un œil sur le four pour pouvoir agir à temps au cas où le récipient s'enflammerait.
- Si vous voyez de la fumée, mettez le four à l'arrêt, débranchez-le et laissez la porte fermée afin d'étouffer les flammes éventuelles.
- Le réchauffage des boissons aux micro-ondes peut entraîner une ébullition différée. Veillez à manipuler les récipients avec précaution.
- Afin d'éviter tout risque de brûlure, agitez les biberons, remuez le contenu des petits pots pour bébés et testez la température avant consommation.
- Ne faites pas cuire d'œufs durs ou à la coque aux micro-ondes, car ils peuvent éclater, même lorsque le temps de cuisson s'est écoulé.

- Lorsque vous nettoyez la porte, le joint de la porte et l'intérieur du four, utilisez exclusivement des détergents légers non abrasifs que vous déposerez sur une éponge ou un chiffon doux.
- Il faut nettoyer le four régulièrement et retirer sans attendre tout résidu alimentaire.
- Le manque d'entretien pourrait conduire à une détérioration des surfaces, ce qui pourrait affecter la durée de vie de l'appareil et entraîner certains risques.
- Si le cordon secteur est endommagé, il faut le faire remplacer – afin d'éviter tout danger – par un technicien du Service Après- Vente ou par un professionnel qualifié.
- Ne nettoyez jamais la table de cuisson avec un appareil à vapeur ou à haute pression : vous vous exposeriez à un risque de choc électrique.
- L'appareil n'est pas prévu pour être commandé par un minuteur externe ou une télécommande séparée.

Vous trouverez ci-dessous un certain nombre de règles à suivre, comme pour tous les appareils. Elles vous permettront d'utiliser ce four en toute sécurité et d'obtenir des performances maximales.

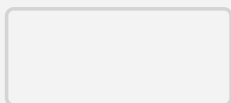
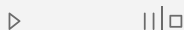
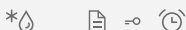
1. Lorsque vous servez du four, veillez à ce que le plateau tournant, la couronne à roulettes et l'entraîneur soient bien en place.
2. Utilisez le four exclusivement pour la préparation des aliments. N'y séchez pas de linge, du papier, ou autre chose que des produits alimentaires. N'y stérilisez pas les conserves.
3. Ne faites pas fonctionner le four à vide, cela pourrait l'endommager.
4. N'utilisez pas la cavité du four comme espace de rangement pour des papiers, des livres de cuisine, ou autres objets.
5. Ne faites pas cuire d'aliments recouverts d'une membrane ou d'une peau sans l'avoir perforée au préalable avec une fourchette : jaunes d'œufs, foies de volaille, pommes de terre, etc.
6. N'insérez aucun objet dans les orifices de la carrosserie.
7. Ne démontez jamais le four, et ne retirez pas les pieds, l'axe d'entraînement, les vis, etc.
8. Ne posez pas les aliments à cuire directement sur le plateau en verre. Placez-les dans des récipients adéquats avant de les enfourner.

IMPORTANT - USTENSILES DE CUISINE À NE PAS UTILISER DANS VOTRE FOUR À MICRO- ONDES :

- N'utilisez pas de plats en métal ou comportant des poignées en métal.
 - N'utilisez aucun récipient avec garniture en métal.
 - N'utilisez pas d'assiette en mélamine, car cette matière absorbe l'énergie des micro-ondes. Cela ralentirait la cuisson et l'assiette pourrait se fêler ou se carboniser.
 - Ne faites rien chauffer dans des bouteilles à goulot étroit, comme par exemple les bouteilles de boissons gazeuses ou de sauces à salade, car elles pourraient éclater dans le four à micro-ondes.
 - Si vous avez besoin d'utiliser un thermomètre à viande ou à sucre, choisissez-en un qui soit spécialement destiné aux micro-ondes. Ces thermomètres sont disponibles dans le commerce.
9. Utilisez les ustensiles spéciaux pour micro-ondes selon les recommandations du fabricant.
 10. Ne faites pas de fritures dans ce four.

11. Souvenez-vous que dans un four à micro-ondes, le contenu du récipient chauffe plus vite que le récipient lui-même. Par conséquent, même si le couvercle ne vous semble pas très chaud au toucher, le liquide ou les aliments qui sont à l'intérieur dégagent la même quantité de vapeur qu'en cuisson conventionnelle ; soyez prudent lorsque vous enlevez le couvercle.
12. Lorsque vous réchauffez un biberon ou des aliments pour bébé, testez vous-même la température avant de nourrir l'enfant. De plus, il est conseillé de ne pas consommer immédiatement les aliments ou les boissons que l'on vient de retirer du four à micro-ondes ; laissez-les reposer quelques minutes et mélangez-les pour répartir la chaleur de façon homogène.
13. Les aliments contenant à la fois de l'eau et de la graisse (par exemple bouillon cube) doivent rester 30 à 60 secondes au four après l'arrêt de l'appareil. Cela permet au mélange de se stabiliser et évite les bouillonnements lorsqu'on y trempe une cuillère ou qu'on y ajoute un bouillon cube.
14. Pour vos préparations liquides et solides, souvenez-vous que certains aliments (par exemple pudding de Noël, confiture, viande hachée) chauffent très vite. Lorsque vous faites cuire ou réchauffer des aliments contenant beaucoup de sucre ou de matière grasse, n'utilisez pas de contenant en plastique.
15. Les récipients peuvent être brûlants en raison de la chaleur transmise par les aliments qui cuisent. Cela est flagrant si vous recouvrez le plat et les poignées avec un film en plastique. N'oubliez pas de mettre des gants de cuisine quand vous manipulez vos récipients.
16. Pour éviter que vos préparations et récipients prennent feu dans le four:
 - a) ne prolongez pas inutilement la cuisson. Surveillez le four tant que des matières inflammables (papier, plastique) sont à l'intérieur ;
 - b) avant d'enfourner des aliments sous sachets en plastique, retirez les liens qui les ferment si ces derniers comportent des fils métalliques.
 - c) Si le feu se déclare à l'intérieur du four, laissez la porte fermée, débranchez l'appareil ou mettez-le hors tension en désarmant le disjoncteur ou en enlevant le fusible sur le tableau électrique.










BANDEAU DE COMMANDES ÉLECTRONIQUE









ÉCRAN

Affiche les fonctions sélectionnées, l'heure du jour et la durée de fonctionnement.

ICÔNES AFFICHÉES À L'ÉCRAN

-  Micro-ondes
-  Gril
-  Cuisson combinée (micro-ondes + gril)
-  *Δh Décongélation rapide avec réglage de la durée
-  *Δg Décongélation automatique en fonction du poids
-  Programmes automatiques
-  Compte-minutes (alarme)
-  Horloge (heure du jour)
-  =O Sécurité enfants

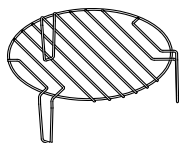
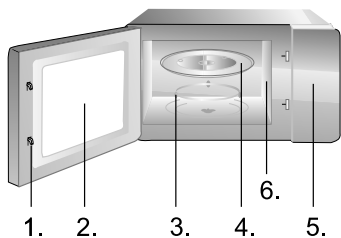
TOUCHES

-  Micro-ondes
-  Gril
-  Cuisson combinée (micro-ondes + gril)
-  *Δ Décongélation
-  Cuisson automatique
-  Compte-minutes / Horloge

SÉLECTEUR ROTATIF

-  ▶ Départ
-  |||□ Pause / Stop

BOUTON D'OUVERTURE DE LA PORTE



1. Verrouillage de sécurité de la porte
2. Hublot
3. Couronne à roulettes
4. Plateau tournant en verre
5. Bandeau de commandes
6. Répartiteur d'ondes (n'enlevez pas la plaque en mica recouvrant le répartiteur).

Trépied (uniquement pour la cuisson au gril ou la cuisson combinée ; doit toujours être placé sur le plateau tournant)

1. HORLOGE

Le four est équipé d'une horloge à affichage numérique ; quand le four est en veille, vous pouvez régler l'heure au format 24 heures en effleurant la touche HORLOGE.

Exemple : vous voulez régler l'horloge à 8h30.

1. Le four étant en veille, effleurez la touche HORLOGE pendant 3 secondes. L'afficheur commence à clignoter. Réglez d'abord les heures en tournant le sélecteur jusqu'à ce que 08:00 s'affiche, puis appuyez sur le sélecteur.
2. Ensuite, réglez les minutes en tournant le sélecteur jusqu'à ce que 08:30 s'affiche, puis appuyez sur le sélecteur pour valider.

NOTE: durant la cuisson, vous pouvez afficher l'horloge à tout moment en effleurant la touche HORLOGE. Vous devez mettre l'horloge à l'heure chaque fois que vous branchez ou rebranchez le four au réseau électrique.

2. CUISSON ET RÉCHAUFFAGE AUX MICRO-ONDES

Cette fonction comporte deux options :

a) Cuisson ou réchauffage rapide aux micro-ondes (à 100% de la puissance)

Exemple : réchauffage à 100% de la puissance pendant 5 minutes.

1. Tournez le sélecteur pour régler le temps de fonctionnement sur 05:00.
2. Effleurez la touche DÉPART pour lancer le programme.

b) Cuisson aux micro-ondes en mode manuel

Exemple : cuisson des aliments à une puissance de 600 W pendant 10 minutes.

1. Effleurez la touche MICRO-ONDES.
2. Effleurez plusieurs fois la touche MICRO-ONDES ou tournez le sélecteur pour régler la puissance à 600 W. Validez votre réglage en appuyant sur le sélecteur.
3. Tournez le sélecteur pour régler le temps de cuisson sur 10:00.
4. Effleurez la touche DÉPART pour lancer le programme.

9 puissances différentes sont disponibles (en W) : 900, 800, 700, 500, 400, 300, 200 et 100 ; le temps de fonctionnement maximum est de 95 minutes.

3. GRIL

Le gril est particulièrement adapté à la cuisson de la viande en tranches : escalopes, steaks, côtelettes, brochettes, saucisses, ou morceaux de poulets. Il convient aussi pour les toasts ou les sandwiches chauds et pour faire dorer les gratins. La durée maximale de cuisson au gril est de 95 minutes.

Exemple : cuisson au gril pendant 12 minutes.

1. Effleurez la touche GRIL.
2. Tournez le sélecteur pour régler le temps de cuisson sur 12:00.
3. Effleurez la touche DÉPART pour lancer le programme.

NOTE: lorsque la moitié du temps de cuisson imparti s'est écoulé, le four émet un signal sonore pour vous rappeler qu'il faut retourner les aliments. Ceci fait, refermez la porte et effleurez la touche DÉPART. Si vous ne les retournez pas, le four poursuivra son programme.

4. CUISSON COMBINÉE C-1

Le four fonctionne 55% du temps aux micro-ondes et 45% du temps au gril. Ce mode convient à la cuisson des poissons et des gratins. On peut régler un temps de fonctionnement maximum de 95 minutes.

Exemple : cuisson combinée C-1 pendant 25 minutes.

1. Effleurez la touche CUISSON COMBINÉE. »C-1« s'affiche à l'écran.
2. Validez le mode de cuisson choisi en appuyant sur le sélecteur rotatif.
3. Tournez le sélecteur pour régler le temps de cuisson sur 25:00.
4. Effleurez la touche DÉPART pour lancer le programme.

5. CUISSON COMBINÉE C-2

Le four fonctionne 36% du temps aux micro-ondes et 64% du temps au gril. Ce mode convient à la cuisson des crèmes-desserts, soufflés, pommes de terre et volailles. On peut régler un temps de fonctionnement maximum de 95 minutes.

Exemple : cuisson combinée C-2 pendant 25 minutes.

1. Effleurez deux fois la touche CUISSON COMBINÉE, ou réglez le mode de cuisson voulu en tournant le sélecteur. »C-2« s'affiche à l'écran. Validez en appuyant sur le sélecteur rotatif.
2. Tournez le sélecteur pour régler le temps de cuisson sur 25:00.
3. Effleurez la touche DÉPART pour lancer le programme.

6. DÉCONGÉLATION AUTOMATIQUE

Le four vous permet de décongeler la viande, la volaille, le poisson et les fruits de mer. La durée de décongélation et la puissance se règlent automatiquement en fonction du poids que vous indiquez. Les aliments à décongeler peuvent peser entre 100 g et 2000 g.

Exemple : décongeler 600 g de poisson surgelé.

1. Effleurez la touche DÉCONGÉLATION.
2. Tournez le sélecteur pour régler le poids sur 600 g.
3. Effleurez la touche DÉPART pour lancer le programme.

NOTE: lorsque la moitié du temps de décongélation imparti s'est écoulé, le four sonne deux fois pour vous rappeler qu'il faut retourner les aliments. Ceci fait, refermez la porte et effleurez la touche DÉPART. Si vous ne les retournez pas, le four poursuivra son programme.

7. DÉCONGÉLATION RAPIDE

Le four permet aussi la décongélation rapide.

Exemple : décongeler du pain rapidement.

1. Effleurez deux fois la touche DÉCONGÉLATION ou tournez le sélecteur pour choisir à l'écran l'icône représentant la Décongélation rapide avec réglage de la durée.
2. Tournez le sélecteur pour régler la durée de décongélation voulue.
3. Effleurez la touche DÉPART pour lancer le programme.

NOTE: lorsque la moitié du temps de décongélation imparti s'est écoulé, le four sonne deux fois pour vous rappeler qu'il faut retourner les aliments. Ceci fait, refermez la porte et effleurez la touche DÉPART. Si vous ne les retournez pas, le four poursuivra son programme.

8. CUISSON AUTOMATIQUE

En mode Cuisson automatique, il vous suffit de sélectionner le type d'aliment et son poids ou sa quantité. Le four se charge de régler la puissance et la durée de cuisson qui conviennent.

Exemple :

1. Effleurez la touche CUISSON AUTOMATIQUE.
2. Effleurez plusieurs fois la touche CUISSON AUTOMATIQUE, ou tournez le sélecteur pour choisir le type d'aliment voulu. Vous avez le choix entre les programmes A1 à A8. Validez en appuyant sur le sélecteur rotatif.
3. Tournez le sélecteur pour choisir le poids approximatif ou la quantité.
4. Effleurez la touche DÉPART pour lancer le programme.

Programme	Poids/quantité	Puissance des micro-ondes
A1 Réchauffage rapide	150g	100%
	250g	
	350g	
	450g	
	600g	
A2 Liquides	1 tasse	100%
A3 Popcorn	50g	100%
	100g	
A4 Viande	150g	100%
	300g	
	450g	
	600g	
A5 Pommes de terre	230g	100%
	460g	
	690g	
A6 Légumes	150g	100%
	350g	
	500g	
A7 Poisson	150g	80%
	250g	
	350g	
	450g	
	650g	
A8 Pâtes	50 g (450 ml d'eau)	80%
	100 g (800 ml d'eau)	
	150 g (1200 ml d'eau)	

9. CUISSON EN PLUSIEURS ÉTAPES

Le four à micro-ondes vous permet d'enchaîner deux étapes successives.

Exemple : décongeler pendant 10 minutes de la viande surgelée, puis la cuire 5 minutes à 600 W.

1. Effleurez deux fois la touche DÉCONGÉLATION.
2. Tournez le sélecteur pour régler la durée de décongélation sur 10:00, puis validez.
3. Effleurez la touche MICRO-ONDES.
4. Tournez le sélecteur pour régler la puissance sur 600 W.
5. Effleurez la touche DÉPART pour lancer le programme.

NOTE: vous ne pouvez sélectionner la décongélation qu'en première étape. La cuisson automatique ne peut pas constituer une étape du programme.

10. DÉMARRAGE RAPIDE

Conseils pour l'utilisation du four

Utilisez cette fonction pour réchauffer ou cuire rapidement vos aliments aux micro-ondes à 100% de leur puissance. Le four étant en veille, effleurez la touche DÉPART : l'appareil fonctionne 30 secondes. Chaque pression successive sur cette même touche prolonge la cuisson de 30 secondes.

NOTE: le fait d'appuyer de nouveau sur la touche DÉPART prolonge la durée de fonctionnement de 30 secondes pour tous les programmes, sauf pour la Cuisson automatique, la Cuisson en plusieurs étapes et la Décongélation automatique.

11. SÉCURITÉ ENFANTS

Utilisez cette fonction pour empêcher les jeunes enfants de se servir du four sans surveillance. Tant que le four est verrouillé, l'icône de la Sécurité enfants s'affiche à l'écran et l'appareil ne peut pas fonctionner.

Pour activer la Sécurité enfants, effleurez simultanément les touches CUISSON AUTOMATIQUE et HORLOGE. Lorsque vous entendez un bip, le four est verrouillé et l'icône de la Sécurité enfants apparaît à l'écran. Tant que le verrouillage est actif, aucune touche n'est opérationnelle. Pour désactiver la Sécurité enfants, effleurez de nouveau simultanément les touches CUISSON AUTOMATIQUE et HORLOGE. Lorsque le signal sonore retentit, le four est déverrouillé.

12. COMPTE-MINUTES

Utilisez le compte-minutes pour régler une alarme. Le laps de temps maximum que l'on peut régler est de 95 minutes.

Exemple :

1. Effleurez la touche HORLOGE. L'affichage de l'heure commence à clignoter.
2. Tournez le sélecteur pour régler le laps de temps voulu.
3. Validez en appuyant sur le sélecteur rotatif : le compte à rebours commence. Lorsque le temps réglé s'est écoulé, l'alarme retentit.

NOTE: le réglage du compte-minutes n'a aucune influence sur le fonctionnement du four ; vous ne pouvez pas l'utiliser en tant que minuteur coupe-courant pour programmer la durée de cuisson.

13. RÉGLAGE DU SON (ALARME & TOUCHES)

Utilisez cette fonction pour régler le volume du bip de touches et des autres sonneries de l'appareil.

Effleurez la touche de réglage du son pendant 5 secondes environ. »VOL« s'affiche à l'écran. Tournez le sélecteur pour choisir le volume sonore voulu. Appuyez sur le sélecteur pour valider.

NOTE: si vous sélectionnez le réglage »OFF«, les touches ne produiront aucun son lorsque vous les effleurez, mais toutes les autres sonneries (alarme du compte-minutes, bip de fin de programme, bip d'erreur) fonctionneront normalement.

1. Avant de procéder au nettoyage, mettez le four à l'arrêt et débranchez-le.
2. Maintenez l'intérieur du four en bon état de propreté. Si des éclaboussures adhèrent aux parois, enlevez-les avec une éponge humide. Les détergents agressifs ou abrasifs ne sont pas recommandés.
3. Nettoyez la carrosserie avec une éponge humide. Veillez à ne pas laisser couler d'eau dans les fentes d'aération afin de ne pas endommager les composants du four.
4. Veillez à ce que le bandeau de commandes reste toujours sec. Essuyez-le avec un chiffon doux et humide. N'utilisez pas de détergents, de produits abrasifs ni d'aérosol pour nettoyer le bandeau de commande.
5. Si de la buée s'accumule sur la face interne de la porte ou à sa périphérie, à l'extérieur, essuyez-la avec un chiffon doux. Ce phénomène peut se produire lorsque le four à micro-ondes fonctionne dans des conditions d'humidité élevée ; cela n'indique nullement un dysfonctionnement de l'appareil.
6. Il est quelquefois nécessaire de retirer le plateau tournant pour le nettoyer. Vous pouvez le laver à l'eau chaude savonneuse ou dans votre lave-vaisselle.
7. La couronne à roulettes et le bas de la cavité doivent être entretenus régulièrement pour éviter tout bruit excessif. Nettoyez simplement le bas du four avec de l'eau et un détergent léger ou avec un produit pour les vitres, puis séchez soigneusement. Vous pouvez laver la couronne à roulettes à l'eau tiède savonneuse ou dans votre lave-vaisselle. Les vapeurs de cuisson qui se condensent au cours d'utilisations répétées ne dégradent nullement les surfaces en bas du four ni les roulettes de la couronne. Si vous enlevez la couronne à roulettes au cours du nettoyage, veillez à la remettre en place dans sa position initiale.
8. Pour éliminer les odeurs désagréables, placez dans le four un bol rempli d'eau additionnée d'un jus de citron et de sa peau. Faites fonctionner le four 5 minutes en mode micro-ondes, puis passez l'éponge et essuyez soigneusement avec un torchon sec.

ENVIRONNEMENT

Lorsqu'il ne fonctionnera plus, ne jetez pas l'appareil avec les ordures ménagères, mais déposez-le à un endroit assigné à cet effet, où il pourra être recyclé. Vous contribuerez ainsi à la protection de l'environnement.

INSTALLATION

1. Veillez à retirer tous les matériaux d'emballage qui se trouvent à l'intérieur du four.
2. Après avoir déballé l'appareil, vérifiez s'il est en bon état, en portant une attention particulière aux points suivants:
 - Porte mal alignée
 - Porte endommagée
 - Entailles ou trous sur le hublot ou l'afficheur
 - Bosses ou trous dans la cavitéSi vous remarquez l'un des défauts ci-dessus, **N'UTILISEZ PAS** le four.
3. Ce four à micro-ondes pèse 15 kg et doit être installé à l'horizontale sur une surface suffisamment solide pour supporter son poids.
4. Il doit rester à distance des sources de chaleur élevée et des dégagements de vapeur.
5. **NE METTEZ RIEN** sur le dessus du four.
6. Laissez un espace libre d'au moins 20 cm de chaque côté du four et de 30 cm à l'arrière afin d'assurer une ventilation correcte.
7. **N'ENLEVEZ PAS** l'axe d'entraînement du plateau tournant.
8. Surveillez les enfants lorsqu'ils utilisent l'appareil.
9. L'emplacement de la prise murale doit être adapté à la longueur du cordon secteur.
10. La puissance du four est de 1,5 kilovoltampère. Nous vous suggérons de consulter un électricien avant d'installer l'appareil.

ATTENTION : pour sa sécurité, le four est muni d'un fusible de 250 Volts, 10 Ampères.

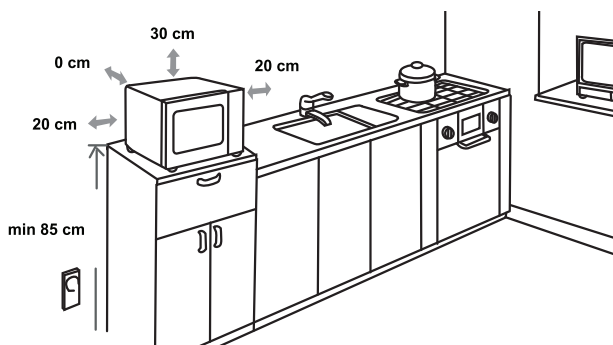
CARACTÉRISTIQUES TECHNIQUES

Raccordement électrique.....	230V-50Hz, 1450W
Puissance des micro-ondes.....	900W
Puissance du gril.....	1000W
Fréquence.....	2450MHz
Dimensions de l'appareil.....	515mm(L) x 305mm(H) x 392mm(P)
Volume du four.....	25 litres
Poids net.....	environ 15 kg
Niveau de bruit.....	Lc < 58 dB (A)



Cet appareil est pourvu du marquage conforme à la directive 2012/19/EU relative aux déchets des équipements électriques et électroniques (DEEE). Cette directive est applicable dans les pays de la CE et définit le cadre pour la reprise et le recyclage des appareils électroménagers en fin de vie utile.

DIMENSIONS D'ENCASTREMENT



INTERFÉRENCES RADIO

Votre four à micro-ondes peut générer des interférences avec votre récepteur radio, votre téléviseur, ou d'autres appareils similaires. Pour les éliminer ou les réduire, prenez les mesures suivantes.

- Nettoyez la porte et son joint d'étanchéité
- Placez la radio, la TV, etc. aussi loin que possible du four.
- Installez une antenne convenable pour votre récepteur radio ou TV afin d'améliorer la réception du signal.

NOUS NOUS RÉSERVONS LE DROIT DE PROCÉDER À DES MODIFICATIONS QUI N'ONT PAS D'INCIDENCE SUR LE FONCTIONNEMENT DE L'APPAREIL.

AVANT DE CONTACTER LE SERVICE APRÈS-VENTE

1. Si le four ne fonctionne pas du tout, l'afficheur ne s'allume pas ou s'éteint.
 - a) Vérifiez si l'appareil est branché correctement. Si ce n'est pas le cas, retirez la fiche de la prise secteur, attendez 10 secondes et rebranchez le four convenablement.
 - b) Vérifiez si le fusible n'a pas sauté ou si le disjoncteur n'a pas disjoncté. S'ils fonctionnent normalement, testez la prise murale en y raccordant un autre appareil.
2. Si le four ne fonctionne pas en mode micro-ondes:
 - a) Vérifiez si la durée de cuisson a été réglée.
 - b) Vérifiez si la porte est bien fermée et si le verrouillage est enclenché. Dans le cas contraire, le flux des micro-ondes ne peut pas parvenir dans le four.

Si le four ne fonctionne toujours pas une fois que les vérifications ci-dessus ont été effectuées, contactez le service après-vente.

Cet appareil ménager destiné à la cuisson des aliments et des boissons fonctionne avec des ondes électromagnétiques et doit être utilisé exclusivement à l'intérieur.

GARANTIE ET SERVICE

Si vous souhaitez obtenir des informations supplémentaires ou si vous rencontrez un problème, contactez le Service Consommateurs Gorenje de votre pays (vous trouverez le numéro de téléphone correspondant sur le dépliant de garantie internationale). S'il n'existe pas de Service Consommateurs Gorenje dans votre pays, renseignez-vous auprès de votre revendeur Gorenje local ou contactez le « Service Department of Gorenje Domestic Appliances ».

Réservé à une utilisation domestique!

Vous trouverez des informations complémentaires et des conseils utiles sur la cuisson aux micro-ondes et au gril sur notre site Internet:

<http://www.gorenje.fr>

NOUS VOUS SOUHAITONS BEAUCOUP DE PLAISIR LORS DE L'UTILISATION DE VOTRE APPAREIL

gorenje

VÁŽENÝ ZÁKAZNÍKU

Upřímně vám děkujeme za zakoupení našeho výrobku. Přesvědčte se sám o tom, že se na naše výrobky můžete spolehnout. Pro jednodušší použití výrobku přikládáme obsáhlý návod, který vám pomůže v tom, abyste se co nejrychleji seznámili s vaším novým spotřebičem.

Návod k použití by vám měl pomoci se rychle seznámit s vaším novým spotřebičem. Přečtěte si jej, prosím, velice pečlivě ještě předtím, než začnete zařízení používat.

V každém případě se nejprve ujistěte, že je dodaný spotřebič v pořádku a není poškozen. Pokud byste našli jakékoli vady, kontaktujte svého dodavatele. Telefonní číslo je uvedeno v záručním listě nebo na paragonu.

Přejeme vám spoustu příjemných zážitků při konzumaci připravených pokrmů.



Přístroj je určen pouze k použití v domácnosti, a to na ohřívání pokrmů a nápojů působením elektromagnetické energie. Přístroj používejte pouze ve vnitřních prostorách.

NÁVODY K OBSLUZE

Návody k obsluze jsou určeny spotřebiteli. Popisují přístroj a jeho obsluhu. Jsou přizpůsobeny různým typům přístrojů, proto mohou obsahovat také popisy funkcí, které váš přístroj nemá.



Nikdy se nedotýkejte ploch spotřebičů určených k vaření nebo ohřívání. Během provozu se zahřívají. Udržujte děti v bezpečné vzdálenosti. Hrozí nebezpečí popálení!



Zdroj mikrovlnného záření a vysoké napětí. Neodstraňujte kryt.

VAROVÁNÍ! Zařízení a jeho dostupné části se během používání zahřejí. Je třeba se vyhnout styku s horkými částmi. Děti ve věku do 8 let je třeba udržovat mimo dosah, nejsou-li pod trvalým dohledem.

Toto zařízení mohou používat děti od 8 let a osoby s omezenou fyzickou, smyslovou či mentální schopností či osoby bez dostatečných zkušeností a znalostí, jsou-li pod dohledem, nebo pokud jim byly poskytnuty pokyny ohledně bezpečného používání zařízení a pokud znají související rizika. Děti by měly být pod dohledem, aby si nemohly s tímto spotřebicem hrát. Čištění a uživatelskou údržbu nesmí provádět děti do 8 let a bez dozoru.

Nenechávejte spotřebič a jeho přívodní kabel v dosahu dětí mladších 8 let.

- **UPOZORNĚNÍ:** Když přístroj pracuje v kombinovaném režimu, mohou jej děti používat pouze pod přísným dozorem dospělých osob (platí jen pro přístroje s funkcí grilu). Hrozí nebezpečí popálení z důvodu vysokých teplot.
- **UPOZORNĚNÍ:** Pokud jsou dveře nebo jejich těsnění poškozené, přístroj nepoužívejte, dokud ho neopraví příslušný odborník.

- **UPOZORNĚNÍ:** Jakékoliv opravy, prováděné pod krytem, který chrání uživatele před mikrovlnnými paprsky, jsou nebezpečné. Proto vám radíme, abyste je přenechali odborníkům.
- **UPOZORNĚNÍ:** Tekuté nebo jiné potraviny neohřívejte ve volně nebo těsně uzavřených nádobách, protože může dojít k jejich prasknutí.
- Nedemontujte patky mikrovlnné trouby; proudícímu vzduchu ponechte volný průchod.
- Používejte jen pomůcky, které se do mikrovlnné trouby hodí z hlediska bezpečnosti.
- Při ohřívání potravin v umělohmotných nebo papírových obalech nebo nádobách kontrolujte kvůli vlastní bezpečnosti proces ohřívání: takový materiál se může snadno vznítit.
- Pokud se vyskytne kouř, ihned vypněte přístroj a zástrčku vytáhněte ze zásuvky; dvířka nechte otevřená a případný oheň uhasťte.
- Pokud v mikrovlnné troubě ohříváte nápoje, počítejte s tím, že může být nápoj během krátké doby ohřátý na bod varu – proto buďte opatrní.
- Aby nedošlo ke vzniku popálenin, ještě před použitím promíchejte obsah dětských lahví, případně lahví s pokrmem pro děti; před použitím zkontrolujte teplotu pokrmu.
- V mikrovlnné troubě neohřívejte čerstvá nebo uvařená vejce ve skořápce, protože mohou prasknout (explodovat!), i když budou z trouby již vytažena.
- Při čištění povrchu dveří, těsnění a vnitřku trouby používejte jen jemné a neagresivní čisticí prostředky, které rozetřete houbičkou nebo měkkým hadříkem.

- Pravidelně čistěte troubu a odstraňujte případné nánosy jídel.
- Pokud troubu nebudete čistit pravidelně, může se její vnitřní povrch opotřebovat, a zkrátit tak životnost vaší trouby – navíc vzniká zvýšené riziko při použití přístroje.
- Pokud dojde k poškození elektrického kabelu, může poškozený kabel vyměnit pouze výrobce, pracovník autorizovaného servisu nebo jiný vhodný odborník.
- Nenechávejte též viset přívodní kabel přes hranu stolu či pracovní plochy.
- Nevystavujte se nebezpečným situacím a nikdy nepřipojujte tento přístroj k externímu časovému spínači ani systému dálkového ovládání.
- Nepokoušejte se vyměnit osvětlení ohřívacího prostoru, ani to nedovolte nikomu jinému kromě osoby autorizované GORENJE. Pokud přestane osvětlení ohřívacího prostoru fungovat, obraťte se na svého prodejce GORENJE nebo servisní středisko.
- **UPOZORNĚNÍ:** Na žádnou z částí mikrovlnné trouby nepoužívejte komerční čisticí prostředky pro trouby, parní cistice, drsné a hrubé cistice, jakékoli čisticí prostředky obsahující hydroxid sodný nebo drátenky. Troubu čistěte v pravidelných intervalech a odstraňujte veškeré zbytky jídla.

V dalším textu jsou uvedena některá pravidla a bezpečnostní opatření, na která stejně jako u jiných přístrojů musí být brán zřetel, aby přístroj fungoval bezvadně, účinně a dlouhodobě bez problémů:

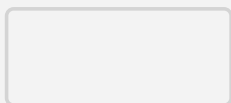
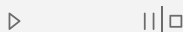
1. Pokud je mikrovlnná trouba v činnosti, musí být skleněný talíř, držáky válce, spojka a drážky vždy na svém místě.
2. Nepoužívejte troubu pro žádné jiné účely než pro přípravu jídel; v mikrovlnné troubě nesušte oblečení, papír nebo jiné předměty a nepoužívejte ji pro sterilizaci.
3. Nikdy nezapínejte troubu, pokud je prázdná, protože byste ji mohli poškodit.
4. V mikrovlnné troubě neskladujte žádný předmět: např. papír, recepty atd.
5. Nevařte pokrmy s blánou nebo slupkou, např. vaječné žloutky, brambory, kuřecí játra atd., aniž byste předtím blánu nebo slupku na více místech před vařením propíchli.
6. Nevkládejte žádné předměty do otvorů na vnější straně trouby.
7. Nikdy nedemontujte části trouby, např. patky, zámek, šroubky atd.
8. Nevařte pokrmy přímo na skleněném talíři v troubě. Než pokrm vložíte do trouby, dejte jej do vhodné nádoby.

DŮLEŽITÉ: Kuchyňské nádobí, jehož použití v mikrovlnné troubě je zakázáno:

- Nepoužívejte kovové pánve nebo nádoby s kovovými držadly.
- Nepoužívejte nádobí s hranami potaženými kovem.
- Nepoužívejte papírem potažené kovové drátky k zavírání igelitových sáčků.
- Nepoužívejte nádobí z melaminu, protože obsahuje materiál, který absorbuje mikrovlnné paprsky. To může způsobit, že nádoba praskne nebo se spálí, kromě toho může zpomalit proces ohřívání nebo vaření.
- Nepoužívejte nádobí bez vhodné ochrany, která je určena k používání v mikrovlnné troubě. Nepoužívejte ani uzavřené nádobí s rukojetí.
- Nepřipravujte pokrmy nebo nápoje v nádobí se zúženým okrajem, např. láhev, která může při ohřívání prasknout.
- Nepoužívejte klasické teploměry na maso a cukroví. Používat můžete pouze teploměry, které jsou určeny k použití v mikrovlnných troubách.

9. Pomůcky pro mikrovlnnou troubu používejte pouze v souladu s návody jejich výrobce.
10. Nepokoušejte se v mikrovlnné troubě smažit potraviny.
11. Dbejte na to, aby se v troubě ohřál pouze obsah nádoby a ne samotná nádoba, ve které se obsah nachází. Může se totiž stát, že po nadzvednutí pokličky se obsah v nádobě odpařuje nebo z něj stříkají kapky, přestože samotná poklice není horká.
12. Před použitím vždy zkontrolujte teplotu pokrmu, obzvlášť pokud je pokrm určen dětem. Doporučujeme vám, abyste nikdy neochutnávali pokrmy přímo z trouby. Nejdříve nádobu vyjměte a obsah promíchejte, aby se teplota rovnoměrně rozdělila.
13. Pokrmy, které obsahují emulzi omastku a vody, např. polévkový základ, musejí v troubě zůstat ještě 30 až 60 sekund po vypnutí. Vývar přestane vřít a nebude bublat, pokud jej promícháte, nebo do něj vložíte polévkovou kostku (např. masox).
14. Při přípravě pokrmů dávejte pozor, aby se některé druhy pokrmů, např. vánoční pudink, marmeláda nebo mleté maso, neohřály příliš rychle. K ohřívání nebo vaření pokrmů, které obsahují větší množství tuku, nepoužívejte umělohmotné nádoby.
15. Pomůcky, které používáte při přípravě pokrmů v mikrovlnné troubě, se mohou velmi zahřát, protože pokrmy vylučují teplo. Zejména to platí v případě, kdy je horní část nádoby přikrytá umělohmotnou poklicí nebo krytem. Na přenesení takové nádoby budete potřebovat kuchyňské rukavice.
16. Abyste snížili riziko požáru v mikrovlnné troubě:
 - a) Dejte pozor, abyste pokrmy nevařili příliš dlouho. Pečlivě kontrolujte průběh ohřívání, pokud se v troubě nacházejí papírové nebo umělohmotné pomůcky, případně nádoby z hořlavého materiálu.
 - b) Než položíte sáček do mikrovlnné trouby, odstraňte drátky, které slouží k jeho uzavírání.
 - c) Pokud předmět v troubě začne hořet, nechte dvířka trouby zavřená, vypněte troubu, vytáhněte zástrčku ze zásuvky nebo vypněte hlavní pojistku na pojistkovém panelu.

DIAGRAM TROUBY



DISPLEJ

Zobrazuje vybrané funkce a čas.

IKONY NA DISPLEJI

- Mikrovlny
- Gril
- Kombinovaný (mikrovlny + gril)
- Rychlé rozmrazování, podle času
- Automatické rozmrazování, podle hmotnosti
- Automatické programy
- Minutka (alarm)
- Hodiny (denní čas)
- Dětská pojistka

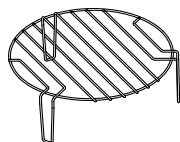
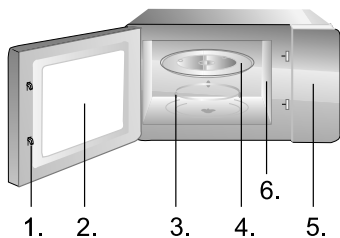
TLAČÍTKA

- Mikrovlny
- Gril
- Kombinovaný (mikrovlny + gril)
- Rozmrazování
- Automatická nabídka
- Minutka/hodiny

OTOČNÝ KNOFLÍK

- Start
- Pauza/stop

TLAČÍTKO PRO OTEVŘENÍ DVÍŘEK



1. Zavírání dvířek
2. Okno trouby
3. Prstenec skleněného talíře
4. Skleněný talíř
5. Kontrolní panel
6. Vedení vln (prosíme, slídovou destičku zakrývající vedení vln neodstraňujte)

Mřížka grilu (Používá se pouze u funkce grilu nebo kombinace mikrovlnného ohřevu a grilu a umísťuje se na skleněný talíř.)

NÁVOD K POUŽITÍ

1. HODINY

Trouba je vybavena digitálními hodinami. Když je trouba v pohotovostním režimu, lze hodiny nastavit do 24hodinového režimu stisknutím tlačítka CLOCK.

Příklad: Nastavení času na 8:30

1. Když je trouba v pohotovostním režimu, stiskněte a podržte na tři sekundy tlačítko CLOCK. Zobrazení času začne blikat. Nastavte hodiny na 08:00 tak, že knoflík otočíte a po nastavení požadovaného časového údaje stisknete.
2. Dále otočte knoflíkem pro nastavení minut tak, aby displej ukazoval 08:30; poté stisknutím knoflíku nastavení potvrďte.

POZN.: Během vaření je možné zobrazit hodiny kdykoli stisknutím tlačítka CLOCK. Hodiny je potřeba nastavit při každém připojení k napájecí síti.

2. VAŘENÍ A OHŘÍVÁNÍ S MIKROVLNAMI

Tato funkce má dvě možnosti:

a) Rychlé ohřívání s mikrovlnami (100% výkon)

Příklad: Vaření se 100% výkonem po dobu 5 minut.

1. S použitím otočného knoflíku nastavte čas na 05:00.
2. Stiskněte tlačítko START pro spuštění programu.

b) Ohřívání s mikrovlnami s ručním ovládáním

Příklad: Ohřívání potravin s výkonem 600 W po dobu 10 minut

1. Stiskněte tlačítko MICROWAVES.
2. Stiskněte několikrát tlačítko MICROWAVE nebo použijte otočný knoflík pro nastavení úrovně výkonu na 600 W. Nastavení potvrďte stisknutím knoflíku.
3. S použitím otočného knoflíku nastavte čas na 10:00.
4. Stiskněte tlačítko START pro spuštění programu.

K dispozici je 9 úrovní výkonu (ve W): 900, 800, 700, 600, 500, 400, 300, 200 a 100; maximální provozní doba je 95 minut.

3. GRIL

Grilování je zvláště vhodné pro tenké plátky masa, řízků nebo steaky, kotlety, špízy, klobásy či kousky kuřecího masa. Dále je vhodné pro opékání chleba nebo sendvičů a pro dokončování gratinovaných pokrmů. Maximální provozní doba, kterou lze nastavit pro gril, je 95 minut.

Příklad: Grilování po dobu 12 minut

1. Stiskněte tlačítko GRILL.

2. Otočte knoflíkem a nastavte čas na 12:00.
3. Stiskněte tlačítko START pro spuštění programu.

POZN.: Během vaření nebo grilování trouba automaticky dvakrát pípne v polovině chodu. Připomene vám tak, abyste potraviny otočili. Poté zavřete dvířka trouby a stiskněte tlačítko START. Pokud nechcete potraviny otočit, vaření nebo grilování bude pokračovat.

4. KOMBINOVANÝ PROVOZ

Trouba bude v provozu 55 procent času s mikrovlnami a 45 procent času s grilem. Tento provozní režim je vhodný pro přípravu ryb nebo gratinovaných pokrmů. Maximální provozní doba, kterou lze nastavit, je 95 minut.

Příklad: Nastavte kombinovaný provoz C-1 na 25 minut.

1. Stiskněte tlačítko režimu COMBINED. Na obrazovce se objeví „C-1“.
2. Stisknutím knoflíku potvrďte vybranou kombinaci.
3. Otočte knoflíkem a nastavte čas na 25:00.
4. Stiskněte tlačítko START pro spuštění programu.

5. KOMBINOVANÝ PROVOZ C-2

Trouba bude v provozu 36 procent času s mikrovlnami a 64 procent času s grilem. Tento provozní režim je vhodný pro přípravu pudinku, suflé, omelet, pečených brambor a drůbeže. Maximální provozní doba, kterou lze nastavit, je 95 minut.

Příklad: Nastavte kombinovaný provoz C-2 na 25 minut.

1. Stiskněte dvakrát tlačítko režimu COMBINED nebo nastavte požadovaný režim otočením knoflíku. Na obrazovce se objeví „C-2“. Potvrďte stisknutím KNOFLÍKU.
2. S použitím knoflíku nastavte čas na 25:00.
3. Stiskněte tlačítko START pro spuštění programu.

6. AUTOMATICKÉ ROZMRAZOVÁNÍ

V troubě lze rozmrazovat maso, drůbež a mořské plody. Doba rozmrazování a provozní výkon se nastaví automaticky podle předem nastavené hmotnosti. Hmotnost rozmrazovaných potravin se může pohybovat mezi 100 g a 2000 g.

Příklad: Rozmrazování 600 g zmrazených ryb

1. Stiskněte tlačítko DEFROST.
2. Otočte knoflíkem a nastavte hmotnost na 600 g.
3. Stiskněte tlačítko START pro spuštění programu.

POZN.: Během rozmrazování trouba automaticky dvakrát pípne v polovině chodu. Připomene vám tak, abyste potraviny otočili. Poté zavřete dvířka trouby a stiskněte tlačítko START. Pokud nechcete potraviny otočit, vaření nebo pečení bude pokračovat.

7. RYCHLÉ ROZMRAZOVÁNÍ

Trouba umožňuje i rychlé rozmrazování.

Příklad: Rychlé rozmrazování pečiva

1. Stiskněte dvakrát tlačítko DEFROST nebo zvolte symbol na displeji, který zobrazuje rozmrazování podle času.
2. Otočte knoflíkem a nastavte požadovaný čas.
3. Stiskněte tlačítko START pro spuštění programu.

POZN.: Během rozmrazování trouba automaticky dvakrát pípne v polovině chodu. Připomene vám tak, abyste potraviny otočili. Poté zavřete dvířka trouby a stiskněte tlačítko START. Pokud nechcete potraviny otočit, vaření nebo grilování bude pokračovat.

8. AUTOMATICKÁ NABÍDKA

Pro potraviny v automatickém režimu je třeba nastavit pouze druh potravin a hmotnost/množství. Trouba vám pomůže při nastavování výkonu a času.

Příklad:

1. Stiskněte tlačítko AUTO MENU.
2. Stiskněte několikrát tlačítko AUTO MENU nebo otočte knoflíkem pro výběr požadovaného druhu potravin. Vyberte mezi programy od A1 do A8. Nastavení potvrďte stisknutím knoflíku.
3. Otočte knoflíkem a zvolte přibližnou hmotnost/množství.
4. Stiskněte tlačítko START pro spuštění programu.

Nabídka	Hmotnost/množství	Výkon trouby
A1 Rychlé ohřátí	150g	100%
	250g	
	350g	
	450g	
	600g	
A2 Tekutina	1 hrnek	100%
A3 Popcorn	50g	100%
	100g	
A4 Maso	150g	100%
	300g	
	450g	
	600g	
A5 Brambory	230g	100%
	460g	
	690g	

Nabídka	Hmotnost/množství	Výkon trouby
A6 Zelenina	150g	100%
	350g	
	500g	
A7 Ryby	150g	80%
	250g	
	350g	
	450g	
	650g	
A8 Těstoviny	50 g (450 ml vody)	80%
	100 g (800 ml vody)	
	150 g (1 200 ml vody)	

9. VÍCEKROKOVÉ VAŘENÍ

Mikrovlnná trouba umožňuje vaření ve dvou krocích.

Příklad: Rozmrazování zmrazeného masa po dobu 10 minut s následným ohříváním po dobu 5 minut při 600 W

1. Stiskněte dvakrát tlačítko DEFROST.
2. S použitím knoflíku nastavte čas na 10:00 a potvrďte.
3. Stiskněte tlačítko MICROWAVES.
4. S použitím knoflíku nastavte výkon na 600 W.
5. Stiskněte tlačítko START pro spuštění programu.

POZN.: Funkci rozmrazování lze používat pouze v prvním kroku. Automatická nabídka nemůže být krok v programu vícekrokového vaření.

10. RYCHLÝ START

Tipy pro používání trouby

Tato funkce se používá pro rychlé ohřívání (100% mikrovlnný výkon) nebo vaření potravin. V pohotovostním režimu stiskněte tlačítko START; trouba bude v provozu 30 sekund. S každým následným stisknutím tlačítka START se provozní doba prodlouží o 30 sekund.

POZN.: Opětovným stisknutím tlačítka START prodloužíte dobu vaření o 30 sekund ve všech programech kromě automatického režimu, vícekrokového vaření a režimu automatického rozmrazování.

11. DĚTSKÁ POJISTKA

Tato funkce zabraňuje nekontrolovanému nebo neúmyslnému použití trouby dětmi. Když je trouba zablokována, objeví se příslušná ikona a troubu nelze použít.

Pro zablokování trouby stiskněte současně tlačítka AUTO MENU a CLOCK. Když uslyšíte pípnutí, trouba je

12. ODPOČÍTÁVACÍ ČASOVÝ SPÍNAČ / MINUTKA

zablokovaná a na displeji se objeví symbol klíče. Dokud bude trouba zablokovaná, všechna tlačítka budou neúčinná.

Pro odblokování trouby stiskněte znovu tlačítka AUTO MENU a CLOCK. Až uslyšíte pípnutí, trouba bude odblokovaná.

Pro nastavení alarmu použijte odpočítávací časový spínač. Nejdelší možné nastavení je 95 minut.

Příklad:

1. Stiskněte tlačítko CLOCK. Displej začne blikat.
2. S použitím knoflíku nastavte požadovaný čas.
3. Potvrďte knoflíkem; spustí se odpočítávání. Po uplynutí doby trouba pípne.

POZN.: Nastavení odpočítávacího časového spínače nebo minutky nemá vliv na provoz trouby a nelze je použít jako časový spínač pro vaření.

13. NASTAVENÍ ZVUKU ALARMU A TLAČÍTEK

Tato funkce se používá pro nastavení hlasitosti tlačítek a dalších zvuků spotřebiče.

Stiskněte tlačítko pro nastavení a podržte jej po dobu cca 5 sekund. Na displeji se objeví „VOL“. S použitím knoflíku nastavte požadovanou hlasitost. Stisknutím knoflíku volbu potvrďte.

POZN.: Pokud zvolíte nastavení „OFF“, tlačítka nebudou po stisknutí vydávat žádný zvuk; všechny ostatní zvuky, jako například alarm, odpočítávací časový spínač, pípnutí na konci programu a pípnutí při poruše, budou fungovat normálně.

1. Než začnete čistit mikrovlnnou troubu, vytáhněte zástrčku ze zásuvky.
2. Vnitřek trouby udržujte vždy v čistotě. Pokud částečky pokrmu nebo tekutiny, které stříkají na stěny nebo dno trouby, zaschnou, otřete je navlhčeným hadříkem. Nedoporučuje se používání hrubých čisticích nebo agresivních prostředků.
3. Vnější povrch trouby čistěte navlhčeným hadříkem. Aby nedošlo k poškození vnitřních stěn mikrovlnné trouby, dbejte na to, aby se do průduchů nevyllila voda.
4. Kontrolní panel nesmí přijít do kontaktu s vodou. Čistěte ho měkkým a navlhčeným hadříkem. K čištění kontrolního panelu nepoužívejte mycí nebo agresivní čisticí prostředky ani prostředky ve spreji.
5. Pokud se na vnitřním nebo vnějším povrchu trouby objeví pára, otřete ji měkkým hadříkem. To se může stát v případě, že mikrovlnnou troubu používáte ve vlhkých místnostech, v žádném případě se nejedná o poruchu trouby.
6. Občas vyjměte také skleněný talíř z trouby a očistěte jej. Skleněný talíř (podstavec) myjte teplou vodou nebo v myčce.
7. Ložiskový prstenec a dno (spodní povrch) vnitřní části trouby je třeba pravidelně čistit, v opačném případě může trouba pracovat hlučně. Jednoduše očistěte dno v troubě jemným čisticím prostředkem, vodou nebo prostředkem na čištění skla a nechte uschnout. Ložiskový prstenec můžete omývat teplou vodou nebo v myčce na nádobí. Po dlouhodobém používání trouby se na kolečkách ložiskového prstence objeví výpary, které se uvolňují při vaření; nemají žádný vliv na jeho funkci. Při vyjmutí ložiskového prstence z drážky na dně komory (vnitřku trouby) dejte pozor, abyste ho zase správně umístili.
8. Případný nepříjemný pach z trouby můžete odstranit tak, že do hluboké nádoby na přípravu pokrmů v troubě nalijete šálek vody a nakrájíte kůru z jednoho citronu. Nádobu vložte na pět minut do mikrovlnné trouby a troubu zapněte. Po vypnutí pečlivě otřete a vysušte vnitřek trouby a očistěte jej měkkým hadříkem.

ŽIVOTNÍ PROSTŘEDÍ

Až přístroj doslouží, nevyhazujte jej do běžného komunálního odpadu, ale odevzdejte jej do sběrný určené pro recyklaci. Pomůžete tím chránit životní prostředí.

INSTALACE

1. Nejdříve zkontrolujte, jestli jste z vnitřku trouby vyndali veškerý obalový materiál.
2. Po jeho odstranění zkontrolujte troubu, jestli nedošlo k jejímu poškození, např.:
 - ohnuté dveře,
 - poškozené dveře,
 - poškození nebo nerovnosti ve skle (okénku) na dveřích nebo na displeji,
 - nerovnosti ve vnitřku trouby.Jakmile zjistíte některé z uvedených poškození, přestaňte troubu používat.
3. Mikrovlnná trouba váží přibližně 15 kg; postavte ji na rovnou a dostatečně pevnou plochu, která unese váhu trouby.
4. Troubu položte co nejdále od tepelných zdrojů a páry.
5. Na horní stěnu trouby nic nepokládejte.
6. Pro správnou cirkulaci vzduchu kolem přístroje by mělo být: kolem trouby alespoň 20 cm a nad ní 30 cm volného prostoru.
7. Neodnímejte pohonnou hřídel otočného talíře uvnitř trouby.
8. Pokud mikrovlnnou troubu používají děti, musejí být pod pečlivým dohledem dospělých osob.
9. Elektrická zásuvka musí být přístupná tak, aby bylo možné spotřebic v'případě nouze snadno odpojit. Nebo by mělo být možné izolovat troubu od napájení začleněním vypínače odpovídajícího pravidlum pro kabeláž. Připojte spotřebic ke zdroji jednofázového napětí 230 V/50 Hz střídavého proudu prostřednictvím správně nainstalované zásuvky s'uzemněním. **UPOZORNĚNÍ! TOTO ZARÍZENÍ MUSÍ BYT UZEMNĚNO!** Vyrobcem nenese žádnou odpovědnost za případy, kdy nejsou tato bezpečnostní opatření dodržena.
10. Trouba potřebuje 1,5 kVA příkonu. Doporučujeme vám, abyste se při instalaci trouby poradili s opravářem, případně s vhodným odborníkem.

POZOR: Trouba je vybavena vlastní pojistkou, a to 250 V, 10 A.

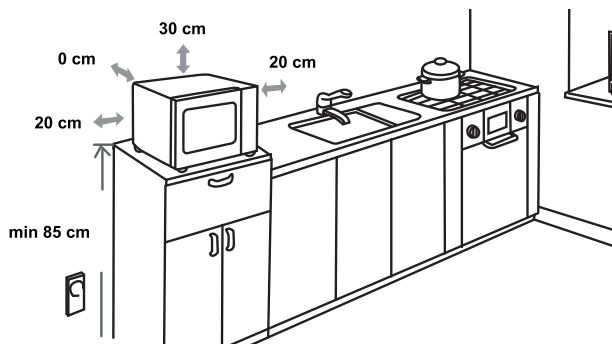
SPECIFIKACE

Spotřeba el. energie.....	230V-50Hz, 1450W
Výkon.....	900W
Spirála grilu.....	1000W
Funkční frekvence.....	2450MHz
Vnější rozměry.....	515mm(Š) x 305mm(V) x 392mm(H)
Objem trouby.....	25 litrů
Hmotnost bez obalu.....	přibližně 15 kg
Hladina akustického výkonu vyzařovaná spotřebičem.....	Lc < 58 dB (A)



Tento přístroj je označen v souladu s evropskou směrnicí 2012/19/EU o elektrickém a elektronickém odpadu (waste electrical and electronic equipment - WEEE). Směrnice obsahuje nařízení o sběru a nakládání s odpady elektrického a elektronického charakteru, které platí v EU.

MONTÁŽNÍ ROZMĚRY



PORUCHY FUNKCE PŘIJÍMAČŮ (INTERFERENCE)

Mikrovlnná trouba může způsobit poruchu funkce vašeho rádiového nebo televizního přijímače, popř. jiných obdobných přístrojů. V případě, že se vyskytne interference, můžete tuto poruchu snížit, případně zcela odstranit, následovně:

- Očistěte dveře a povrch těsnění v troubě.
- Umístěte rušený přijímač co možná nejdále od mikrovlnné trouby.
- Své rádio nebo televizi vybavte vhodnou anténou, kterou umístíte tak, aby zajistila silný příjem signálu.

VYHRAZUJEME SI PRÁVO NA ZMĚNY, KTERÉ NEMAJÍ
VLIV NA FUNKČNOST SPOTŘEBIČE.

NEŽ ZAVOLÁTE OPRAVÁŘE

1. V případě, že mikrovlnná trouba vůbec nefunguje, nebo se nerozsvítí displej, popř. zhasne:
 - a) Zkontrolujte, jestli je trouba správně připojena do elektrické sítě. Pokud není, vytáhněte zástrčku ze zásuvky a vyčkejte 10 vteřin; poté ji znovu zastrčte.
 - b) Zkontrolujte, jestli je pojistka elektrického vedení neporušená, nebo jestli nevypadla pojistka v domě. Pokud jsou všechny pojistky funkční, vyzkoušejte zásuvku zapojením jiného přístroje.
2. V případě, že mikrovlnná trouba nehřeje, tj. nevytváří mikrovlnný paprsek:
 - a) Zkontrolujte, jestli jsou programovací hodiny správně nastavené.
 - b) Zkontrolujte, jestli jsou dvířka správně zavřena a bezpečnostní zámek uzamčen. Pokud tomu tak není, trouba nebude fungovat.

V případě, že se vám pomocí tohoto návodu nepodařilo odstranit závadu, spojte se s autorizovaným opravářem.

ZÁRUKA A SERVIS

Pokud byste měli jakýkoliv problém nebo byste potřebovali nějakou informaci, kontaktujte Středisko péče o zákazníky společnosti Gorenje ve své zemi (telefonní číslo střediska najdete v letáčku s celosvětovou zárukou). Pokud se ve vaší zemi Středisko péče o zákazníky nenachází, můžete kontaktovat místního dodavatele výrobků Gorenje nebo oddělení Service Department of Gorenje Domestic Appliances.

Jen pro osobní užití!

Další informace o pečení v mikrovlnné troubě bez nebo s použitím grilu a jiné užitečné rady najdete na našich stránkách:

<http://www.gorenje.cz>

**PŘEJEME VÁM PŘÍJEMNÉ CHVÍLE PŘI POUŽÍVÁNÍ
MIKROVLNNÉ TROUBY - VAŠE**

gorenje

VÁŽENÝ ZÁKAZNÍK

Úprimne Vám ďakujeme za nákup. Veríme, že čoskoro nájdete bohaté informácie, ktoré skutočne spoliehajú na naše výrobky. Aby ste si uľahčili obsluhu spotrebiča, prikladáme tento obsiahly návod na obsluhu.

Pokyny Vám pomôžu pri oboznamovaní sa s vaším novým spotrebičom. Prosím, prečítajte si ich pozorne pred prvým použitím spotrebiča.

V každom prípade, sa prosím, uistite, že Vám bol doručený nepoškodený spotrebič. Mali by ste určiť prepravné poškodenie, spojiť sa s obchodným zástupcom, alebo miestnou predajňou, z ktorej bol výrobok dodaný. Telefónne číslo nájdete na príjmovom doklade, alebo na dodacom liste.

Želáme Vám veľa potešenia s Vaším novým domácim spotrebičom.



Toto zariadenie pre domáce použitie na ohrievanie jedla a nápojov používa elektromagnetickú energiu, len pre domáce použitie.

NÁVOD NA OBSLUHU

Návod na použitie je určený pre užívateľa. Popisuje spotrebič a spôsob zaobchádzania s ním. Je univerzálneho charakteru a preto je možné, že výrobok, ktorý vlastníte, neobsahuje všetky funkcie popísané v návode.

DÔLEŽITÉ BEZPEČNOSTNÉ POKYNY



Nikdy sa nedotýkajte plôch spotrebičov určených na varenie alebo ohrievanie. Počas prevádzky sa zahrievajú. Udržujte deti v bezpečnej vzdialenosti. Hrozí nebezpečenstvo popálenia!



Mikrovlnné žiarenie & vysoké napätie!
Neodstraňujte kryt.

VÝSTRAHA! Zariadenie a jeho dostupné časti sa v priebehu používania zahrejú. Je treba sa vyhnúť styku s horúcimi časťami. Deti vo veku do 8 rokov je treba udržiavať mimo dosah, pokiaľ nie sú trvalým dozorom. Toto zariadenie môžu používať deti od 8 rokov a osoby s obmedzenou fyzickou, zmyslovou či mentálnou schopnosťou či osoby bez dostatočných skúseností a znalostí, pokiaľ sú pod dozorom, alebo pokiaľ im boli poskytnuté pokyny o bezpečnom používaní zariadenia a pokiaľ poznajú súvisiace riziká.

Dbajte na to, aby sa deti nehrali so zariadením. Čistenie a užívateľskú údržbu nesmú robiť deti do 8 rokov a deti bez dozoru. Udržujte spotrebič a prívodný kábel mimo dosahu detí mladších ako 8 rokov.

- **VAROVANIE:** Pri používaní zariadenia v kombinovanom režime, by mali deti používať rúru len pod dohľadom dospelých kvôli generovaným teplotám; (Len pre modely s funkciou grilovania)
- **VAROVANIE:** Ak sú dvere alebo tesnenie dverí poškodené, rúru nesmiete používať, pokiaľ nebude opravená kompetentnou osobou;

- **VAROVANIE:** Pre každého, okrem kompetentnej osoby, je nebezpečné vykonávať opravy a údržbu, ktorá zahŕňa demontáž krytu, ktorý chráni pred mikrovlnnou energiou.;
- **VAROVANIE:** Tekutiny a iné potraviny nesmú byť ohrievané v uzatvorených nádobách, pretože môžu explodovať.
- Neodstraňujte nožičky rúry a neblokujte ventilačné otvory.
- Používajte len kuchynský riad určený na použitie v mikrovlnnej rúre.
- Keď ohrievate potraviny v plastových alebo papierových obaloch, dávajte pozor, aby sa nevznietili;
- Ak spozorujete dym, vypnite alebo odpojte zariadenie a dvere nechajte zatvorené na uhasenie ohňa;
- Mikrovlnné ohrievanie môže mať za následok oneskorené prevretie, preto buďte pri narábaní s nádobou opatrný;
- Obsah fľaše pre kojencov a detské poháre premiešajte alebo pretrepte a pred podávaním deťom skontrolujte teplotu na zabránenie popálenia;
- Vajcia v škrupine a celé vajcia na tvrdo neohrievajte v mikrovlnnej rúre, pretože môžu explodovať, dokonca aj po skončení ohrievania;
- Na čistenie povrchov dverí, tesnenia dverí, interiéru rúry použite len jemné nebrúsne mydlá, alebo čistiace prostriedky aplikované špongiou alebo jemnou tkaninou.
- Rúra by mala byť čistená pravidelne a mali by byť odstránené všetky zvyšky pokrmov;

- Neudržiavanie rúry v čistých podmienkach môže viesť k poškodeniu povrchu, ktorý môže nepriaznivo ovplyvniť životnosť zariadenia a môže byť výsledkom nebezpečnej situácie;
- Ak je sieťová šnúra poškodená, musí byť vymenená výrobcom, servisom alebo podobne oprávnenou osobou na zabránenie rizika.
- Nenechajte kábel prevísať cez okraj stola alebo pracovnej dosky.
- Aby nedošlo k nebezpečným situáciám, nikdy nepripájajte zariadenie k externému časovému spínaču ani diaľkovému ovládaciemu systému.
- Nepokúšajte sa sami vymeniť žiarovku rúry a zabezpečte, aby túto činnosť vykonávali výhradne autorizované osoby. Ak sa vypáli žiarovka rúry, obráťte sa na predajcu alebo miestne servisné stredisko.
- **UPOZORNENIE:** Žiadnu časť mikrovlnnej rúry nečistite čistiacimi prostriedkami na tradičné rúry, parnými čističmi, abrazívnymi ani agresívnymi čistiacimi prostriedkami, prostriedkami s obsahom hydroxidu sodného ani drôtenkami.

Nižšie sú uvedené, tak ako pri všetkých spotrebičoch, určité zásady na ovládanie a bezpečnosť na zaistenie špičkového výkonu tejto rúry:

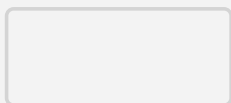
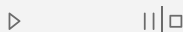
1. Pri používaní rúry vždy majte na svojom mieste všetky potrebné súčasti (otočný sklený tanier, valčekový prstenec a spojky).
2. Rúru používajte len na prípravu pokrmov, nepoužívajte na sušenie oblečenia, papiera alebo iných nepotravinových predmetov a na sterilizovanie.
3. Rúru nepoužívajte, keď je prázdna. Toto ju môže poškodiť.
4. Rúru nepoužívajte ako odkladací priestor, napríklad papiera, kníh, atď.
5. Nevarte žiadny pokrm s blanou, ako je žltok, zemiaky, kurča, atď, bez niekoľkonásobného prepichnutia vidličkou.
6. Do vonkajších otvorov nevkladajte žiadne predmety.
7. Neodstraňujte žiadne časti rúry ako sú nožičky, skrutky, atď.
8. Pokrm nevarte priamo na otočnom tanieri. Pokrm umiestnite do/na správny kuchynský riad.

DÔLEŽITÉ - V MIKROVLNNEJ RÚRE NEPOUŽÍVAJTE

- Nepoužívajte kovové panvice alebo riad s kovovými rúčkami.
 - Nepoužívajte riad s kovovými ozdobami.
 - Nepoužívajte plastové vrecká uzatvorené drôtom.
 - Nepoužívajte melamínový riad ak obsahuje materiál, ktorý pohlcuje mikrovlnnú energiu. To môže spôsobiť prasknutie riadu alebo opálenie a spomaľuje rýchlosť varenia.
 - Nepoužívajte starožitný riad. Glazúra nie je vhodná pre mikrovlnné použitie. Šálky typu „Corelle Livingware“ by nemali byť použité.
 - Nepoužívajte na varenie nádoby s obmedzeným otvorom, pretože môžu explodovať.
 - Nepoužívajte bežné mäsové a pekárske teplomery.
 - Existujú teplomery výslovne na mikrovlnné varenie. Tieto môžu byť použité.
9. Mikrovlnný riad by mal byť používaný len s pokynmi výrobcu.
 10. Nepokúšajte sa smažiť pokrmy v rúre.
 11. Zapamätajte si, že mikrovlnná rúra ohrieva len tekutinu v nádobe. Preto kryt nádoby nie je po vybratí z rúry horúci. Zapamätajte si, že pokrm/tekutina vnútri uvoľní rovnaké množstvo pary po otvorení krytu ako pri bežnom varení.
 12. Vždy skontrolujte teplotu vareného pokrmu, obzvlášť

- ak ohrievate alebo varíte pokrm/tekutinu pre deti. Je vhodné nikdy nekonzumovať pokrm ihneď po vybratí z rúry, ale ho nechať niekoľko minút odstáť a premiešať, aby sa rovnomerne rozložilo teplo.
13. Pokrm obsahuje zmes tuku a vody, napr. vývar by ste mali nechať odstáť 30-60 sekúnd v rúre po dokončení. To umožní zmesi vyrovnáť teplotu a zamedziť bublaniu keď ponoríte lyžicu do pokrmu/tekutiny alebo pridáte bujón.
 14. Keď pripravujete/varíte pokrm/tekutinu a pamätáte, že sú určité pokrmy, napríklad puding, džem a mleté mäso, ktoré sa zohrejú veľmi rýchlo. Keď ohrievate alebo varíte pokrmy s vysokým obsahom tuku alebo cukru, nepoužívajte plastové nádoby.
 15. Kuchynský riad sa môže zohriať z dôvodu prenosu tepla z ohrievaného pokrmu. Zvlášť pri riade s plastovými povrchmi. Preto na vybratie nádoby môžu byť potrebné kuchynské rukavice.
 16. Zníženie rizika vzniku ohňa v rúre:
 - a) Pokrm neprevádzajte. Ak sú v rúre umiestnené papierové, plastové alebo iné horľavé materiály potrebné pri varení, neustále kontrolujte mikrovlnnú rúru.
 - b) Pred vložением vreciek do mikrovlnnej rúry z nich odstráňte uzatváracie drôty.
 - c) Ak by sa materiály vnútri rúry mali zapáliť, nechajte dvere rúry zatvorené, odpojte rúru z elektrickej zásuvky, vypnite stenový istič alebo vypnite hlavný istič v poistkovej skrini.

OVLÁDACÍ PANEL



DISPLEJ

Zobrazuje zvolené funkcie a hodiny.

ZOBRAZOVANÉ IKONY

- Mikrovlny
- Gril
- Kombinovaný režim (mikrovlny + gril)
- *Δh Rýchle rozmrazovanie, podľa času
- *Δg Automatické rozmrazovanie podľa hmotnosti
- Automatické programy
- Minútka (alarm)
- Hodiny (denný čas)
- Detská zámka

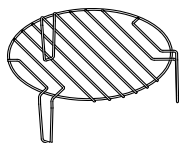
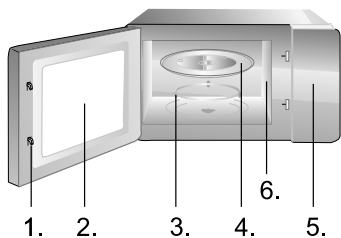
TLAČIDLÁ

- Mikrovlny
- Gril
- Kombinovaný režim (mikrovlny + gril)
- Rozmrazovanie
- Auto menu
- Minútka /Hodiny

OTOČNÝ OVLÁDAČ

- Štart
- Pauza/Stop

TLAČIDLO OTVORENIA DVIEROK



1. Bezpečnostný uzatvárací systém dverí
2. Okno rúry
3. Valčekový prstenec
4. Otočný tanier
5. Ovládací panel
6. Vlnovod (neodstraňujte kryt zakrývajúci vlnovod)

Grilovací stojan (Používaný len pre grilovanie alebo kombinovanú funkciu a umiestnenie na sklenom podnose)

1. HODINY

Rúra je vybavená digitálnymi hodinami. Keď je rúra v pohotovostnom režime, stlačením tlačidla CLOCK nastavíte hodiny v 24 hodinovom formáte.

Príklad: Ak chcete nastaviť čas 8:30:

1. Keď je rúra v pohotovostnom režime, stlačte a podržte 3 sekundy tlačidlo CLOCK. Otočením ovládača nastavte hodiny na 08:00 a potom stlačte ovládač.
2. Potom otočením ovládača nastavte minúty na 08:30 a potvrďte stlačením ovládača.

POZNÁMKA: Počas varenia môžete zobrazíť hodiny stlačením tlačidla CLOCK. Hodiny je potrebné nastaviť vždy po pripojení rúry k elektrickému napájaniu.

2. VARENIE A OHRIEVANIE S MIKROVLNAMI

Táto funkcia má dve nastavenia:

a) Rýchle varenie s mikrovlnami (100% výkon)

Príklad: Varenie so 100% výkonom 5 minút.

1. Pomocou otočného ovládača nastavte čas na 05:00.
2. Stlačením tlačidla START spustíte program.

b) Ohrievanie s mikrovlnami s manuálnym ovládaním

Príklad: Ohrievanie pokrmu s výkonom 600 W počas 10 minút.

1. Stlačte tlačidlo MIKROVLNY.
2. Opakovaným stlačením tlačidla MIKROVLNY alebo pomocou otočného ovládača nastavte výkon na 600 W. Nastavenie potvrdíte stlačením tlačidla.
3. Pomocou otočného ovládača nastavte čas na 10:00.
4. Stlačením tlačidla START spustíte program.

K dispozícii je 9 úrovní výkonu (vo W): 900, 800, 700, 600, 500, 400, 300, 200, a 100; maximálny prevádzkový čas je 95 minút.

3. GRIL

Grilovanie je vhodné hlavne pre tenké plátky mäsa, rezne alebo steaky, mäsové kotlety, špízy, párky alebo kúsky kurčaťa. Grilovanie je vhodné na opekanie chleba alebo sendviča a dokončenie gratinovaných pokrmov. Maximálny prevádzkový čas, ktorý je možné nastaviť na grile je 95 minút.

Príklad: Grilovanie na 12 minút.

1. Stlačte tlačidlo GRILL.
2. Otočením otočného ovládača nastavte čas na 12:00.
3. Stlačením tlačidla START spustíte program.

POZNÁMKA: Počas varenia alebo grilovania, rúra v polovici času prípravy dvakrát pípne. Vtedy otočte pokrm. Po otočení pokrmu zatvorte dvierka rúry a stlačte tlačidlo START. Ak si neželáte otočiť pokrm, varenie alebo grilovanie bude pokračovať.

4. KOMBINOVANÝ REŽIM

Rúra bude pracovať 55 percent času s mikrovlnami a 45 percent s grilom. Tento režim je vhodný na prípravu rýb alebo gratinovaných pokrmov. Maximálny prevádzkový čas je 95 minút.

Príklad: Nastavenie kombinovaného režim C-1 na 25 minút.

1. Stlačte tlačidlo COMBINED. Na displeji sa zobrazí »C-1«.
2. Zvolený režim potvrdte stlačením tlačidla.
3. Pomocou otočného ovládača nastavte čas na 25:00.
4. Stlačením tlačidla START spustíte program.

5. KOMBINOVANÝ REŽIM C-2

Rúra bude pracovať 36 percent času s mikrovlnami a 64 percent s grilom. Tento režim je vhodný na varenie pudingu, soufflé, pečených zemiakov a hydiny. Maximálny prevádzkový čas je 95 minút.

Príklad: Nastavenie kombinovaného režimu C-2 na 25 minút.

1. Dvakrát stlačte tlačidlo COMBINED, alebo pomocou otočného ovládača nastavte režim. Na displeji sa zobrazí »C-2«. Potvrdte stlačením ovládača.
2. Pomocou otočného ovládača nastavte čas na 25:00.
3. Stlačením tlačidla START spustíte program.

6. AUTOMATICKÉ ROZMRAZOVANIE

Môžete rozmrazovať mäso, hydinu a morské plody. Čas rozmrazovania a výkon sa nastaví automaticky podľa nastavenej hmotnosti. Hmotnosť potravín, ktoré majú byť rozmrazené môže byť medzi 100 g a 2000 g.

Príklad: Rozmrazenie 600 g mrazených rýb.

1. Stlačte tlačidlo DEFROST.
2. Otočením ovládača nastavte hmotnosť na 600 g.
3. Stlačením tlačidla START spustíte program.

POZNÁMKA: Počas rozmrazovania rúra v polovici času dvakrát pípne. Otočte pokrm. Po otočení pokrmu zatvorte dvierka rúry a stlačte tlačidlo START. Ak si neželáte otočiť pokrm, rozmrazovanie bude pokračovať.

7. RÝCHLE ROZMRAZOVANIE

Rúra obsahuje funkcie rýchleho rozmrazovania.

Príklad: Rýchle rozmrazenie chleba.

1. Dvakrát stlačte tlačidlo DEFROST alebo na displeji vyberte symbol rozmrazovania podľa času.
2. Otočením ovládača nastavte požadovaný čas.
3. Stlačením tlačidla START spustíte program.

POZNÁMKA: Počas rozmrazovania rúra v polovici času prípravy dvakrát pípne. Vtedy otočte pokrm. Po otočení pokrmu zatvorte dverka rúry a stlačte tlačidlo START. Ak si neželáte otočiť pokrm, rozmrazovanie bude pokračovať.

8. AUTO MENU

Pre potraviny v auto menu, má byť nastavené len typ pokrmu a hmotnosť/množstvo. Mikrovlnná rúra Vám pomôže pri nastavení času a výkonu.

Príklad:

1. Stlačte tlačidlo AUTO MENU.
2. Opakovaným stlačením tlačidla AUTO MENU alebo otočením ovládača nastavte požadovaný typ pokrmu. Môžete vybrať medzi programami A1 až A8. Potvrďte stlačením ovládača.
3. Otočením ovládača zvolte približnú hmotnosť/množstvo.
4. Stlačením tlačidla START spustíte program.

Menu	Hmotnosť/množstvo	Výkon
A1 Rýchle varenie	150g	100%
	250g	
	350g	
	450g	
	600g	
A2 Tekutiny	1 cup	100%
A3 Popcorn	50g	100%
	100g	
A4 Mäso	150g	100%
	300g	
	450g	
	600g	
A5 Zemiaky	230g	100%
	460g	
	690g	

Menu	Hmotnosť/množstvo	Výkon
A6 Zelenina	150g	100%
	350g	
	500g	
A7 Ryby	150g	80%
	250g	
	350g	
	450g	
	650g	
A8 Cestoviny	50 g (450 ml vody)	80%
	100 g (800 ml vody)	
	150 g (1200 ml vody)	

9. KROKOVÉ VARENIE

Mikrovlnná rúra umožňuje varenie v dvoch krokoch.

Príklad: Chcete rozmrazovať mrazené mäso 10 minút, a potom ohrievať 5 minút pri výkone 600 W:

1. Dvakrát stlačte tlačidlo DEFROST.
2. Pomocou otočného ovládača nastavte čas na 10:00 a potvrdte.
3. Stlačte tlačidlo MICROWAVES.
4. Pomocou ovládača nastavte výkon na 600 W.
5. Stlačením tlačidla START spustíte program.

POZNÁMKA: Funkciu rozmrazovania môžete použiť iba v prvom kroku. Auto menu nemôže byť nastavené pri krokovom varení.

10. RÝCHLE SPUSTENIE

Tipy pre použitie rúry

Túto funkciu použijete pre rýchly ohrev (100% výkon mikrovln) alebo pre uvarenie pokrmu.. V pohotovostnom režime stlačte tlačidlo START a rúra bude pracovať 30 sekúnd. Po každom ďalšom stlačení tlačidla START sa prevádzkový čas predĺži o 30 sekúnd.

POZNÁMKA: Po každom stlačení tlačidla START sa prevádzkový čas predĺži o 30 sekúnd v každom programe okrem programu automatického režimu, krokového varenia a automatického rozmrazovania.

11. DETSKÁ ZÁMKA

Táto funkcia slúži na zabránenie nechceného ovládania rúry malými deťmi. Keď je rúra v režime uzamknutia, zobrazí sa príslušný symbol a rúru nie je možné ovládať.

Ak chcete zamknúť rúru, stlačte spolu tlačidlo AUTO MENU a CLOCK. Po zaznení zvukového signálu sa rúra zamkne a zobrazí sa symbol kľúča. Pokiaľ je rúra zamknutá, všetky tlačidlá sú nefunkčné.

Ak chcete odomknúť rúru, stlačte naraz tlačidlo AUTO MENU a CLOCK. Po zaznení zvukového signálu sa rúra odomkne.

12. ČASOVAČ ODPOČÍTAVANIA/ MINÚTKA

Časovač odpočítavania použite pre nastavenie alarmu. Maximálny prevádzkový čas je 95 minút.

Príklad:

1. Stlačte tlačidlo CLOCK. Displej začne blikať.
2. Pomocou ovládača nastavte požadovaný čas.
3. Potvrďte ovládačom a odpočítavanie sa spustí. Po uplynutí nastaveného času zaznie zvukový signál.

POZNÁMKA: Nastavenie odpočívania alebo minútky nemá vplyv na funkciu rúry a nemôže byť použitý ako časovač varenia.

13. NASTAVENIE ALARMU A ZVUKU TLAČIDLA

Pomocou tejto funkcie môžete nastaviť hlasitosť tlačidiel a iných zvukov spotrebiča.

Približne na 5 sekúnd stlačte tlačidlá nastavenia. Na displeji sa zobrazí »VOL«. Pomocou ovládača nastavte požadovanú hlasitosť.. Stlačením ovládača potvrdte.

POZNÁMKA: Ak zvolíte nastavenie »OFF«, tlačidlá pri stlačení nebudú vydávať žiadny zvuk; ostatné zvuky ako je alarm, odpočítavanie, koniec programu a chybový zvuk budú pracovať normálne.

STAROSTLIVOSŤ O VAŠU MIKROVLNNÚ RÚRU

1. Pred čistením vypnite rúru a odpojte sieťovú zástrčku z elektrickej zásuvky.
2. Interiér rúry udržiavajte čistý. Keď sa kúsky pokrmu a tekutín dostanú na steny rúry, utrite ich navlhčenou tkaninou. Neodporúčame používať nešetrné saponáty alebo brúsne čističe.
3. Exteriér rúry by ste mali čistiť navlhčenou tkaninou. Na zabránenie operačných častí vnútri rúry by sa nemala dostať voda do ventilačných otvorov.
4. Nedovoľte, aby namokol ovládací panel. Čistite jemnou mierne navlhčenou tkaninou. Na čistenie ovládacieho panelu nepoužívajte saponáty, brúsne čističe alebo sprejové čističe.
5. Ak sa para nahromadí vnútri alebo okolo vonkajšej časti dverí rúry, utrite ju jemnou tkaninou. Toto môže nastať, keď je rúra používaná v podmienkach s vysokou vlhkosťou a nie je indikovaná porucha zariadenia.
6. Niekedy je nutné vyčistiť otočný tanier. Umyte ho v teplej mydlovej vode alebo v umývačke riadu.
7. Valčekový prstenec a interiér rúry by mal byť pravidelne čistený na zabránenie nadbytočnému hluku. Spodnú plochu utrite jemným saponátom, vodou alebo čističom okien a osušte. Valčekový prstenec môže byť umytý v miernej mydlovej vode alebo v umývačke riadu. Počas opakovaného používania sa zbierajú v rúre výpary ale nijako neovplyvňujú spodnú plochu a kolieska valčekového prstenca. Keď vyberiete valčekový prstenec na čistenie, potom ho správne vložte späť.
8. Na odstránenie pachov s rúry použite pohár vody so šťavou a kôrou citróna v hlbokej mise. Zapnite mikrovlnný ohrev na 5 minút, potom dôkladne utrite a osušte jemnou tkaninou.

ŽIVOTNÉ PROSTREDIE

Nevyhadzujte spotrebič po ukončení životnosti s bežným domácim odpadom, ale odovzdajte ho v oficiálnej miestnej zberni na recykláciu. Týmto konaním pomôžete chrániť životné prostredie.

INŠTALÁCIA

1. Skontrolujte, či ste odstránili všetky obalové materiály z vnútra dverí.
2. Po vybalení rúry skontrolujte, či nie je poškodená:
 - Nedosadenie dverí
 - Poškodenie dverí
 - Vydutia alebo diery v okne dverí alebo obrazovke
 - Vydutia vo vnútri rúryAk nájdete jedno z vyššie uvedených poškodení, NEPOUŽÍVAJTE rúru.
3. Mikrovlnná rúra váži 15 kg a musí byť umiestnená na silnom vodorovnom povrchu, ktorý unesie túto hmotnosť.
4. Rúru neumiestňujte na miestach s vysokou teplotou a parou.
5. Na rúru NEUMIESTŇUJTE žiadne predmety.
6. Pre dostatočnú ventiláciu nechajte po stranách rúry minimálne 20 cm.
7. NEODSTRAŇUJTE hnací hriadel otočného taniera.
8. Tak ako pri každom zariadení je pri používaní deťmi potrebný dozor.
9. Elektrická zásuvka musí byť ľahko dostupná, aby sa zariadenie dalo v núdzovej situácii jednoducho odpojiť. Druhou možnosťou je odpojiť rúru od napájania pomocou vypínača v pevnom vedení v súlade s elektrickými predpismi. Pripojte zariadenie k jednofázovému napájaniu striedavého prúdu 230 V/50 Hz prostredníctvom správne nainštalovanej uzemnenej sieťovej zásuvky. **VÝSTRAHA! TOTO ZARIADENIE MUSÍ BYŤ UZEMNENÉ!** Výrobca odmieta akúkoľvek zodpovednosť v prípade, že nedodržíte tieto bezpečnostné opatrenia.
10. Táto rúra požaduje 1.5 KVA pre jej vstup, pri inštalácii je odporúčané konzultácia s kvalifikovaným pracovníkom.

UPOZORNENIE: Táto rúra je chránená vnútornou 250 V, 10 Amp poistkou.

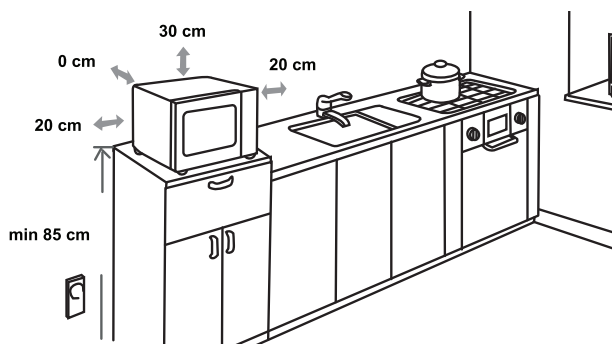
TECHNICKÉ ÚDAJE

Spotreba energie.....	230V-50Hz, 1450W
Výkon.....	900W
Výkon grilu.....	1000W
Pracovná frekvencia.....	2450MHz
Vonkajšie rozmery 515mm(W) x 305mm(H) x 392mm(D)	
Obsah rúry.....	25 litrov
Hmotnosť.....	15 kg
Deklarovaná hodnota emisie hluku je.....	Lc < 58 dB (A)



Toto zariadenie je označené podľa Európskej smernice 2012/19/EU o Došliých elektrických a elektronických zariadení (WEEE). Táto smernica určuje v rámci Európskej únie pokyny pre vrátenie a recykláciu starých elektrických a elektronických zariadení.

INŠTALÁCIA



RUŠENIE

Mikrovlnná rúra môže spôsobiť rušenie vášho rádia, TV alebo podobného zariadenia. Ak nastane toto rušenie môžete ho odstrániť alebo znížiť nasledovnými opatreniami.

- Vyčistite dvere a tesnenie rúry.
- Rádio, TV, atď. umiestnite čo najďalej od mikrovlnnej rúry.
- Na dosiahnutie silného signálu použite správne nainštalovanú anténu pre vaše rádio, TV, atď.

VYHRADZUJEME SI PRÁVO NA ZMENY, KTORÉ NEMAJÚ VPLYV NA FUNKČNOSŤ SPOTREBIČA

SKÔR AKO SA OBRÁTITE NA SERVIS

1. Ak rúra nefunguje, displej nezobrazuje alebo zobrazenie zmizne:
 - a) Skontrolujte, či je rúra správne pripojená. Ak nie, odpojte zástrčku zo zásuvky, počkajte 10 sekúnd a opäť ju správne pripojte.
 - b) Skontrolujte poistky pre daný obvod a hlavný istič. Ak sa javia byť v poriadku, skúste skontrolovať zásuvku pripojením iného zariadenia.
2. Ak mikrovlnná energia nepracuje:
 - a) Skontrolujte, či sú nastavené hodiny.
 - b) Skontrolujte, či sú dvere správne zatvorené. Inak mikrovlnná energia nebude prúdiť do rúry.

Ak sa podľa vyššie uvedených pokynov nepodarí odstrániť problém, obráťte sa na najbližší servis.

ZÁRUKA & SERVIS

Ak potrebujete informácie, alebo ak máte problém, sa spojte so strediskom pre starostlivosť o zákazníkov Gorenje vo vašej krajine (číslo telefónu nájdete na záručnom liste). Ak sa vo vašej krajine nenachádza stredisko pre starostlivosť o zákazníkov, navštívte miestneho predajcu Gorenje, alebo sa spojte servisné oddelenie spoločnosti Gorenje domáce spotrebiče.

Len pre použitie v domácnosti!

Ďalšie doporučené pre pečenie v mikrovlnnej rúre s ďalšími užitočnými informáciami nájdete na web stránke:

<http://www.gorenje.sk>

VELA RADOSTI PRI POUŽÍVANÍ SPOTREBIČAVÁM PRAJE

gorenje

TISZTELT VÁSÁRLÓNK

Köszönjük vásárlását. Bízunk benne, hogy hamarosan megbízhatónak fogja találni termékeinket. A készülék egyszerűbb használatának érdekében mellékeljük ezt a könnyen érthető használati utasítást.

A használati utasítás segítségére lesz a készülék megismerésében. Kérjük olvassa át fi gyelmesen a készülék első használata előtt.

Kérjük győződjön meg róla, hogy a készülék sértetlen állapotban érkezett-e meg Önhöz. Amennyiben szállítási sérülést vesz észre, vegye fel a kapcsolatot az értékesítővel vagy a területi raktárral, ahonnan az árut szállították. A telefonszámot megtalálja a számlán vagy a szállítólevélen.

Sok örömet kívánunk új háztartási készüléke használata során!



A készülék kizárólag a háztartásban való használatra készült, ételek és italok elektromágneses energia segítségével történő melegítésére. A készüléket csak zárt térben használjuk.

HASZNÁLATI UTASÍTÁS

A használati utasítás a készülék használójának szól. Benne ismertetésre kerül a készülék, valamint annak használata. Mivel különféle típusú készülékekhez készült, előfordulhat, hogy olyan funkciókat is leír, amelyekkel az Ön készüléke nem rendelkezik.



Soha ne érintsük meg főző, sütő vagy melegítésre használt háztartási készülékek felületét, mert azok működés közben felforrósodnak! Gondoskodjunk arról, hogy a kisgyerekek megfelelő távolságra legyenek a működő készülékektől. Égésveszély!



Mikrohullámok forrása/magasfeszültség! Tilos a készülék fedelének eltávolítása.

FFIGYELMEZTETÉS! A készülék, és annak hozzáférhető részei a használat során felforrósodhatnak.

Ügyeljen, hogy a készülék fűtőelemeit ne érintse meg.

A 8 évnél fiatalabb gyermekeket tartsa távol a készüléktől, vagy biztosítsa folyamatos felügyeletüket. 8 évnél idősebb gyerekek, csökkent fizikai-, értelmi-, vagy mentális képességű személyek, illetve megfelelő tapasztalatokkal és ismeretekkel nem rendelkező személyek felügyelet mellett, vagy akkor használhatják a készüléket, ha annak biztonságos üzemeltetéséről útmutatást kaptak, és a kapcsolódó kockázatokat megértették. Figyelni kell a gyermekekre, hogy ne játszanak a készülékkel. A készülék tisztítását és felhasználói karbantartását 8 évnél idősebb gyerekek végezhetik, de csak felügyelet mellett. Gondoskodjon arról, hogy 8 évesnél fiatalabb gyermekek ne férjenek hozzá a készülékhez és annak csatlakozókábeléhez.

- **FIGYELEM:** Amikor a készülék kombinált üzemmódban működik, a keletkező igen magas hőmérsékletek miatt a gyerekek csak felnőttek gondos felügyelete mellett használhatják a készüléket (csak a grill funkcióval rendelkező készülékek esetében).

- **FIGYELEM:** Ha az ajtó, vagy annak tömítései megsérültek, a készüléket nem szabad használni mindaddig, amíg a sérüléseket a szerelő ki nem javította.
- **FIGYELEM:** Minden olyan javítás vagy szerelés, amelyet nem a szakszerviz végez, és amely során eltávolításra kerül a mikrohullámokkal szembeni védelmet szolgáló fedél, veszélyes és kockázatos.
- **FIGYELEM:** folyadékokat vagy más ételeket ne melegítsünk zárt edényekben vagy lezárt csomagolásban, mert ezek könnyen felrobbanhatnak.
- Ne távolítsuk el a sütő lábait és ne fedjük be a szellőző nyílásokat.
- Csak mikrohullámú sütőben való használatra alkalmas eszközöket használjunk.
- Ha műanyag, vagy papír edényekben vagy csomagolásban melegítünk ételeket, felügyeljük a folyamatot, mivel az ilyen csomagolás, illetve edény kigyulladhat.
- A füstöt észlelünk, kapcsoljuk ki a készüléket, húzzuk ki a villásdugót a konnektorból, a sütő ajtaját pedig hagyjuk becsukva, hogy elfojtsuk az esetleges lángokat.
- A italt melegítünk a mikrohullámú sütőben, bizonyos idő elteltével az felforrhat és kifuthat, ezért ilyen esetekben legyünk különösen elővigyázatosak.
- Az égésveszély elkerülése érdekében használat előtt keverjük fel vagy rázzuk össze a bébiételes üvegek tartalmát, valamint ellenőrizzük azok hőfokát.

- A mikrohullámú sütőben ne melegítsünk héjas tojásokat, vagy egész főtt tojásokat, mert azok könnyen felrobbanhatnak, azt követően is, hogy a sütőben való melegítést már befejeztük.
- Az ajtó, a tömítések, illetve sütő belső felületének tisztításához használjunk kímélő (nem súroló) tisztítószeret. Ezeket szivaccsal vagy puha ruhával vigyük fel a felületekre.
- A sütőt tisztítsuk rendszeresen és távolítsuk el az esetleges ételmaradékokat.
- A sütőt nem tartjuk karban és nem tisztítjuk rendszeresen, a felületei elhasználódhatnak, ami negatív hatással van a készülék élettartamára és megnöveli a veszélyek kockázatát a sütő használata során.
- Ha a csatlakozó kábel sérült, azt a veszélyek elkerülése érdekében csak a gyártó, vagy a szakszerviz, illetve megfelelően képzett szakember cserélheti ki.
- Ne hagyja a hálózati kábelt az asztal vagy a munkalap széle alá lógni.
- A veszélyes helyzetek elkerülése érdekében a készüléket ne csatlakoztassa külső időzítőkapcsolóra, vagy távvezérlőrendszerre.
- Ne próbálja saját maga kicserélni a sütő lámpáját, és ne engedje meg más a szervizközpont által nem felhatalmazott személynek sem.
- **FIGYELMEZTETÉS:** Ne használjon általános forgalomban lévő tisztítószeret, gőztisztító berendezést, éles eszközöket, durva tisztítószeret, semmiféle nátriumhidroxid tartalmú szert vagy súroló eszközt a mikrohullámú sütő egyetlen részének tisztításához sem.

A folytatásban kerülnek felsorolásra azok a szabályok és biztonsági intézkedések, amelyeket – hasonlóan más készülékek használatához – be kell tartani ahhoz, hogy a sütő biztonságosan és hatékonyan működjön:

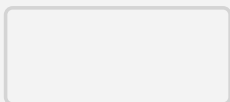
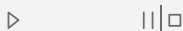
1. A sütő működése közben az üveglap, a henger karjai, az összekötő és a henger tartója mindig legyenek a helyükön.
2. A sütőt ételkészítésen kívül semmilyen más célra ne használjuk: ne szárítsunk benne ruhát, papírt vagy más tárgyat és ne használjuk sterilizálásra.
3. Üres állapotban soha ne kapcsoljuk be a sütőt, mert ezzel kárt okozhatunk benne.
4. Ne tároljunk semmit a sütő belsejében, pl. papírt, szakácskönyveket, stb.
5. Ne készítsünk a sütőben olyan ételt, amely membránréteggel van bevonva: pl. tojássárgája, burgonya, csirkemáj, stb., úgy, hogy előzetesen nem szúrjuk át a membránt több helyen villával.
6. Ne tegyünk semmilyen tárgyakat a sütő külső részén található nyílásokba.
7. Soha ne távolítsuk el a sütő részeit, pl. a lábakat, a rezeszt, a csavarokat, stb.
8. Ne készítsünk ételt közvetlenül az üveglapon. Mielőtt az ételt a sütőbe helyeznénk, tegyük megfelelő edénybe vagy hasonló segédeszközre.

FONTOS: A mikrohullámú sütőben nem használhatók a következő konyhai eszközök:

- Ne használjunk fém edényeket, vagy fém füllel rendelkező edényeket.
- Ne használjunk fém szegéllyel ellátott edényeket.
- Ne használjunk papírral bevont fém huzalokat a műanyag zacskók lezárására.
- Ne használjunk melaminből készült edényeket, mivel azok olyan anyagot tartalmaznak, amely magába szívja a mikrohullámú energiát. Ennek következtében az edény szétrepedhet vagy megéghet, emellett pedig a melegítés / főzés lassabb lesz.
- Ne használjunk olyan edényeket, amelyek nem rendelkeznek megfelelő bevonattal mikrohullámú sütőben való használatra. Ugyanígy ne használjunk lefedett, füles csészéket.
- Ne készítsünk ételt, illetve italt olyan edényben, amely felül összeszűkül (pl. üvegpalack), mert az melegítés közben megrepedhet.
- Ne használjunk hagyományos hőmérőket a húsokhoz vagy édességekhez. Csak olyan hőmérőket használjunk, amelyek alkalmasak mikrohullámú sütőben való használatra.

9. A mikrohullámú sütőhöz való segédeszközöket csak gyártójuk utasításainak megfelelően használjuk.
10. Ne próbáljunk a mikrohullámú sütőben kirántani ételeket.
11. Ügyeljünk arra, hogy a mikrohullámú sütőben csak a folyadék melegedjen fel, és ne az edény is, amelyben van. Lehetséges, hogy azután, hogy eltávolítottuk a fedelet, az edényben lévő folyadékból pára csapódik ki, vagy cseppek fröccsennek ki belőle akkor is, ha maga a fedél nem forró.
12. Használat előtt mindig ellenőrizzük az étel hőmérsékletét, különösen, ha gyerekeknek szeretnénk adni. Javasolt az ételt/italt nem azonnal elfogyasztani a sütőből való kivétel után, hanem néhány percig állni hagyni és lehetőség szerint felkeverni, hogy a hőmérséklet egyenletesen eloszoljon benne.
13. Az olyan étel, ami zsír és víz keverékét tartalmazza, pl. leves-alap, a sütő kikapcsolása után maradjon körülbelül 30-60 másodpercig még a sütőben. Ezáltal lehetővé válik, hogy a keverék leülepedjen és megelőzhetjük azt, hogy buborékok képződjenek, amikor kanállal a folyadékba nyúlunk, vagy amikor beledobjuk a leveskockát.
14. Az ételkészítés során ügyeljünk arra, hogy egyes étel-típusok, pl. karácsonyi puding, lekvár vagy darált hús, nagyon gyorsan felmelegszenek. Amikor nagy zsír- vagy cukortartalmú ételt melegítünk vagy főzünk, ne használjunk műanyag edényt.
15. A mikrohullámú sütőben való ételkészítés során használt segédeszközök erősen felmelegedhetnek, mivel az étel hőt ad le. Ez különösen érvényes abban az esetben, ha az edény teteje és fülei műanyag fedővel vannak bevonva, vagy műanyag bevonattal rendelkeznek. Az ilyen edényekhez szükséges lehet konyhai kesztyű használata.
16. A sütő belsejében esetlegesen fellépő tűzveszély csökkentése érdekében:
 - a) ügyeljünk arra, hogy ne főzzük az ételeket túl hosszú ideig. Felügyeljük a melegítés folyamatát, ha a sütőben papír, műanyag vagy más gyúlékony anyagból készült segédeszközök vannak.
 - b) Mielőtt a zacskót a sütőbe tesszük, távolítsuk el az azt lezáró fémhuzalokat.
 - c) Ha a sütőben lévő tárgy kigyullad, hagyjuk zárva a sütő ajtaját, kapcsoljuk ki a készüléket, húzzuk ki a villásdugót a konnektorból, vagy kapcsoljuk ki a biztosíték-tábla fő biztosítékát.

A SÜTŐ ÁBRÁJA



KIJELZŐ

Kijelzi a választott funkciókat és az időt.

KIJELZŐ IKONOK

- Mikrohullám
- Grill
- Kombinált (mikrohullám + grill)
- Gyors kiolvasztás, az időtartam beállításával
- Gyors kiolvasztás, a tömeg beállításával
- Automatikus programok
- Időzítés (figyelmeztetés)
- Óra (napi idő)
- Gyerekszár

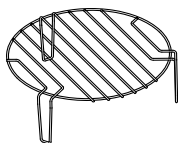
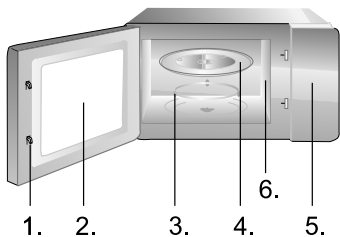
GOMBOK

- Mikrohullám
- Grill
- Kombinált (mikrohullám + grill)
- Kiolvasztás
- Auto menü
- Időzítés/Óra

FORGATHATÓ GOMB

- Start
- Pause/Stop

AJTÓNYITÓ GOMB



1. Ajtózár
2. Sütő ablak
3. A tálca szegélye
4. Üveg tálca
5. Vezérlő egység
6. Hullámterelő (ne távolítsuk el a hullámterelőt fedő csillámlemezt)

Grill rács (Csak a grill vagy kombinált üzemmód esetén kell használni és az üveglapon kell elhelyezni)

1. ÓRA

A sütő digitális órával van ellátva. Az idő 24 órás formátumban állítható be a CLOCK gomb megnyomásával akkor, ha a sütő készenléti üzemmódban van.

Példa: A beállítandó napi idő 8:30:

1. Ha a sütő készenléti üzemmódban van, nyomja meg és tartsa benyomva a CLOCK gombot 3 másodpercig. Az idő kijelzője ekkor villogni kezd. A gomb elforgatásával állítsa az órát 08:00-ra és a beállítást követően nyomja meg.
2. A percek beállításához forgassa el ismét a gombot, amíg a kijelzőn meg nem jelenik a 08:30 időpont, majd a beállítás jóváhagyásához nyomja meg a gombot.

MEGJEGYZÉS: A főzés során az óra bármikor megjeleníthető a kijelzőn a CLOCK gomb megnyomásával. Az órát a sütő elektromos hálózatra való csatlakoztatását követően mindig újra be kell állítani.

2. FŐZÉS ÉS MELEGÍTÉS MIKROHULLÁMON

A funkción belül 2 lehetőség van:

a) Gyors melegítés mikrohullámon (100% teljesítmény)

Példa: Főzés 100% teljesítménnyel 5 percig.

1. Forgassa el a gombot az idő (05:00) beállításához.
2. A program elindításához nyomja meg a START gombot.

b) Melegítés mikrohullámon, kézi vezérléssel

Példa: Az étel melegítése 600 W-on 10 percig.

1. Nyomja meg a MIKROHULLÁM gombot.
2. A teljesítmény 600 W-ra állításához nyomja meg többször egymás után a MIKROHULLÁM gombot. A beállítás a gomb megnyomásával hagyható jóvá.
3. A forgatható gomb segítségével állítsa be az időt (10:00).
4. A program elindításához nyomja meg a START gombot.

9 teljesítmény-fokozat állítható be (W-ban): 900, 800, 700, 600, 500, 400, 300, 200, és 100; a maximális működési idő 95 perc.

3. GRILL

A grill funkció különösen ideális vékony hússzeletek, steakek, húsdarabok, nyársak, kolbászok vagy csirkedarabok sütésére. A grill funkció segítségével készíthető pírítós kenyér vagy melegszendvics, illetve megpirítható a gratinírozott ételek teteje. A grill maximális működési ideje 95 perc.

Példa: Grillezés 12 percgig

1. Nyomja meg a GRILL gombot.
2. Forgassa el a gombot az időtartam (12:00) beállításához.
3. A program elindításához nyomja meg a START gombot.

MEGJEGYZÉS: A főzés vagy grillezés során a sütő automatikusan sípol kétszer, ha a folyamat a félidejéhez érkezett. Ezzel figyelmeztet arra, hogy keverjük meg az ételt. Ezt követően csukja be ismét a sütő ajtaját és nyomja meg a START gombot. Ha nem szeretné megkeverni az ételt, a főzés vagy grillezés automatikusan folytatódik.

4. KOMBINÁLT MŰKÖDÉS C-1

A sütő a beállított időtartam 55 százalékáig mikrohullámmal fog működni, a fennmaradó 45%-ban pedig grillezni fog. Ez a működési mód ideális halak vagy gratinírozott ételek elkészítéséhez. A maximálisan beállítható működési idő 95 perc.

Példa: Kombinált működés (C-1) 25 percgig

1. Nyomja meg a KOMBINÁLT üzemmód gombot. A kijelzőn ekkor a »C-1« felirat jelenik meg.
2. A választott kombinációt a gomb megnyomásával hagyhatja jóvá.
3. A gomb elforgatásával állítsa az időtartamot 25:00-re.
4. A program elindításához nyomja meg a START gombot.

5. KOMBINÁLT MŰKÖDÉS C-2

A sütő a beállított időtartam 36 százalékáig mikrohullámmal fog működni, a fennmaradó 64%-ban pedig grillezni fog. Ez a működési mód ideális pudingok, felfújtak, omlettek, sült burgonya és csirke készítéséhez. A maximálisan beállítható működési idő 95 perc.

Példa: Kombinált működés (C-2) 25 percgig

1. Nyomja meg a KOMBINÁLT üzemmód gombot kétszer, vagy állítsa a be kívánt üzemmódot a gomb elforgatásával. A kijelzőn ekkor a »C-1« felirat jelenik meg. Hagyja jóvá a beállítást a gomb megnyomásával.
2. A gomb elforgatásával állítsa az időtartamot 25:00-re.
3. A program elindításához nyomja meg a START gombot.

6. AUTOMATIKUS KIOLVASZTÁS

A sütő lehetővé teszi húsok, csirke és tengeri ételek kiolvasztását is. A kiolvasztás időtartama és a működési teljesítmény automatikusan kerül megválasztásra, a beállított tömegnek megfelelően. A kiolvasztandó étel tömege 100 g és 2000 g között lehet.

Példa: 600 g fagyasztott hal kiolvasztása

1. Nyomja meg a KIOLVASZTÁS gombot.
2. A gomb elforgatásával állítsa be a tömeget (600 g).
3. A program elindításához nyomja meg a START gombot.

MEGJEGYZÉS: A kiolvasztás során a sütő automatikusan sípol kétszer, ha a folyamat a félidejéhez érkezett. Ezzel figyelmeztet arra, hogy fordítsuk meg az ételt. Ezt követően csukja be ismét a sütő ajtaját és nyomja meg a START gombot. Ha nem szeretné megkeverni az ételt, a kiolvasztás automatikusan folytatódik.

7. GYORS KIOLVASZTÁS

A sütő lehetővé teszi a gyors kiolvasztást is.

Példa: Kenyér gyors kiolvasztása

1. Nyomja meg kétszer egymás után a KIOLVASZTÁS gombot vagy a kijelzőn válassza ki a gyors kiolvasztást az időtartam beállításával opciót.
2. A gomb elforgatásával állítsa be az időtartamot.
3. A program elindításához nyomja meg a START gombot.

MEGJEGYZÉS: A kiolvasztás során a sütő automatikusan sípol kétszer, ha a folyamat a félidejéhez érkezett. Ezzel figyelmeztet arra, hogy fordítsuk meg az ételt. Ezt követően csukja be ismét a sütő ajtaját és nyomja meg a START gombot. Ha nem szeretné megkeverni az ételt, a kiolvasztás automatikusan folytatódik.

8. AUTO MENÜ

Auto menü üzemmódban csak be kell állítania az étel típusát és tömegét. A teljesítményt és az időtartamot a sütő maga határozza meg a beállított tömeg alapján.

Példa:

1. Nyomja meg az AUTO MENU gombot.
2. Nyomja meg többször egymás után az AUTO MENU gombot vagy forgassa el a gombot az étel típusának kiválasztásához. Válasszon az A1-től A8-ig terjedő programok közül. Választását a gomb megnyomásával hagyhatja jóvá.
3. A gomb elforgatásával állítsa be az étel tömegét.
4. A program elindításához nyomja meg a START gombot.

Menü	Tömeg / mennyiség	Mikrohullámú teljesítmény
A1 Gyors melegítés	150g	100%
	250g	
	350g	
	450g	
	600g	
A2 Folyadék	1 csésze	100%
A3 Pattogatott kukorica	50g	100%
	100g	
A4 Hús	150g	100%
	300g	
	450g	
	600g	
A5 Burgonya	230g	100%
	460g	
	690g	
A6 Zöldségek	150g	100%
	350g	
	500g	
A7 Hal	150g	80%
	250g	
	350g	
	450g	
	650g	
A8 Tészta	50 g (450 ml víz)	80%
	100 g (800 ml víz)	
	150 g (1200 ml víz)	

9. FŐZÉS TÖBB LÉPÉSBEN

A mikrohullámú sütő lehetővé teszi a két lépésben történő főzést.

Példa: Fagyasztott hús kiolvasztása 10 percig, majd melegítése 5 percig 600 W-on:

1. Nyomja meg kétszer a KIOLVASZTÁS gombot.
2. A gomb segítségével állítsa be az időtartamot (10:00) és hagyja jóvá.
3. Nyomja meg a MIKROHULLÁM gombot.
4. A gomb segítségével állítsa be a teljesítményt (600 W).

5. A program elindításához nyomja meg a START gombot.

MEGJEGYZÉS: A kiolvasztás funkció csak az első lépésben használható. Az auto menü nem lehet egy többlépéses program egyik lépése.

10. GYORS INDÍTÁS

Tippek a sütő használatához

E funkció lehetővé teszi az ételek gyors felmelegítését vagy megfőzését (100% mikrohullámú teljesítménnyel). Ha készenléti üzemmódban megnyomja a START gombot, a sütő 30 másodpercig fog működni. A működés időtartama a START gomb minden egyes megnyomására 30 másodperccel meghosszabbodik.

MEGJEGYZÉS: A START gomb ismételt megnyomására a működés időtartama 30 perccel meghosszabbodik valamennyi program esetében, kivéve az automatikus üzemmódot, a többlépéses főzést és az automatikus kiolvasztás üzemmódot.

11. GYEREKZÁR

E funkció segítségével megakadályozza, hogy a gyerekek felügyelet nélkül vagy véletlenül használják a készüléket. Ha a gyerekzár be van kapcsolva, a vonatkozó ikon lesz látható a kijelzőn, a sütő használata pedig nem lesz lehetséges.

A gyerekzár bekapcsolásához nyomja meg egyszerre az AUTO MENÜ ÉS AZ ÓRA gombokat. Egy sípolás jelzi a zár bekapcsolását, a kijelzőn pedig megjelenik a kulcs ikon. Ha a gyerekzár bekapcsolt állapotban van, valamennyi gomb inaktív. A sütő kikapcsolásához nyomja meg ismét az AUTO MENÜ és az ÓRA gombokat. Sípolás lesz hallható és ezzel a gyerekzár kikapcsolásra kerül.

12. VISSZASZÁMLÁLÁS / FIGYELMEZTETÉS

A visszaszámláló segítségével figyelmeztetés állítható be. A leghosszabb lehetséges beállítás 95 perc.

Példa:

1. Nyomja meg az ÓRA gombot. A kijelző ekkor villogni kezd.
2. A gomb segítségével állítsa be a kívánt időt.
3. A gomb segítségével hagyja jóvá a beállítást – a visszaszámlálás ekkor megkezdődik. A beállított idő elteltével a sütő sípolni fog.

MEGJEGYZÉS: A visszaszámlálás elindítása nem befolyásolja a sütő működését és nem használható a főzés időzítésére sem.

13. A FIGYELMEZTETÉS ÉS A GOMBOK HANGJÁNAK BEÁLLÍTÁSA

Ez a funkció a gombok és a készülék egyéb hangjainak hangerő-beállítására szolgál.

Nyomja meg a beállítások gombot és tartsa benyomva körülbelül 5 másodpercig. A kijelzőn megjelenik a "VOL" felirat . A gomb segítségével állítsa be a kívánt hangerőt. A beállítás jóváhagyásához nyomja meg a gombot.

MEGJEGYZÉS: Ha az "OFF" beállítás került kiválasztásra, a gombok megnyomásakor semmilyen hang nem lesz hallható. A többi hang – úgy mint a figyelmeztetés, a visszaszámlálás, a program végi sípszó, illetve a hibajelző sípolás – normál módon működik továbbra is.

1. Tisztítás előtt kapcsoljuk ki a mikrohullámú sütőt és húzzuk ki a villásdugót a konnektorból.
2. A sütő belsejét tartjuk mindig tisztán. Ha ételmaradék, az ételből kifröccsenő szaft, vagy kiömlött folyadék szárad rá a sütő falaira, azt nedves rongy segítségével távolítsuk el. Erős tisztítószerek, súrolószerek használata nem javasolt.
3. A sütő külső felületét nedves ruhával tisztíthatjuk. Hogy meg ne sértsük a készülék belső részeit, ügyeljünk arra, hogy ne folyjon be víz a szellőzőnyílásokon.
4. Ügyeljünk rá, hogy a vezérlő panel ne legyen nedves. Puha, nedves ruhával tisztítsuk. A vezérlő panel tisztításához ne használjunk erős tisztítószereket, súrolószereket vagy tisztító sprayket.
5. Ha a készülék belsejében vagy háza körül pára gyűlik fel, nedves ruhával töröljük le. Ez akkor történhet meg, ha a sütőt nagyon nedves helyiségben használjuk és nem jelenti azt, hogy a sütő meghibásodott.
6. Időnként ki kell venni az üveg tányért is és meg kell tisztítani. Tisztíthatjuk meleg vízzel, egy kis tisztítószert hozzáadásával, vagy mosogatógépben.
7. A görgős gyűrűt és a sütő alját (alsó lemez) rendszeresen tisztítani kell, egyébként a sütő működése zajos lesz. A sütő belsejének alsó lapját egyszerűen töröljük át kímélő tisztítószerral, vízzel vagy ablaktisztítóval, majd szárítsuk meg. A görgős gyűrűt tisztíthatjuk meleg vízben, egy kis tisztítószert hozzáadásával, vagy mosogatógépben. Hosszabb használat után a gyűrű görgőin a főzéstől pára gyűlhet fel, ez azonban nincs kihatással a sütő működésére. Ha eltávolítjuk a görgős gyűrűt a sütőből, ügyeljünk arra, hogy megfelelően helyezzük vissza.
8. Az esetleges kellemetlen szagokat úgy távolíthatjuk el a sütőből, hogy egy mély, mikrohullámú sütőben használható edénybe beleöntünk egy pohár vizet és hozzáadjuk egy citrom levét és héját. Ezt követően az edényt 5 percre a sütőbe helyezzük és bekapcsoljuk a sütőt. Ezután alaposan szárítsuk meg a sütő belsejét és töröljük ki puha ruhával.

ELHELYEZÉS

1. Ellenőrizzük, hogy az ajtó belső részéről eltávolítottunk-e minden csomagolóanyagot.
 2. A csomagolás eltávolításakor vizsgáljuk meg a sütőt, nem láthatóak-e rajta sérülések, például:
 - lógó ajtó,
 - sérült ajtó,
 - horpadások vagy lyukak az ajtó üvegében (ablakában), valamint a kijelzőn,
 - horpadások a sütő belsejében.Ha a fenti sérülések bármelyikét észleljük, ne használjuk a sütőt.
 3. A mikrohullámú sütő tömege körülbelül 15 kg. Olyan vízszintes felületen helyezzük el, amely elég erős ahhoz, hogy megtartsa a sütőt.
 4. A sütőt hő- és pára-forrásoktól távol helyezzük el.
 5. Ne tegyünk semmit a sütőre.
 6. A megfelelő szellőzés biztosítása érdekében a sütő két oldalán legalább 20 cm, fölötte pedig legalább 30 cm rés kell hogy legyen.
 7. Ne távolítsuk el a forgó alátét hajtótengelyét.
 8. Mint minden más készülék esetében, itt is gondos felügyeletre van szükség, ha a sütőt gyerekek használják.
- FIGYELEM: A KÉSZÜLÉKET FÖLDELNI SZÜKSÉGES.
9. A konnektor, amelyikbe a készüléket csatlakoztatjuk, könnyen elérhető kell, hogy legyen.
 10. A sütőnek 1,5 kVA bemeneti teljesítményre van szüksége. A sütő elhelyezésekor javasolt szerelővel vagy megfelelő szakemberrel konzultálni.

FIGYELEM: A sütő saját védelemmel, 250 V, 10 A biztosítókkal rendelkezik.

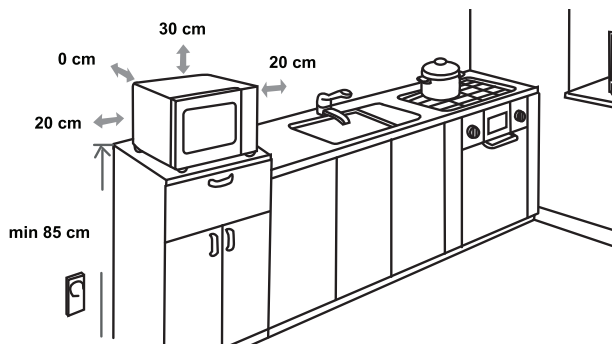
SPECIFIKÁCIÓ

Energia-felhasználás.....	230V-50Hz, 1450W
Kimeneti teljesítmény.....	900W
Grill-égő.....	1000W
Működési frekvencia.....	2450MHz
Külső méretek.....	515mm(Sz) x 305mm(M) x 392mm(M)
Sütő-űrtartalom.....	25 liter
Tömeg csomagolás nélkül.....	Kb 15 kg
Zajkibocsátás.....	Lc < 58 dB (A)



A készülék a hulladék elektromos és elektronikus felszerelésekről szóló 2012/19/EU (WEEE) direktívának megfelelően jelölve van. A direktíva meghatározza a hulladék elektromos és elektronikus felszerelések gyűjtésével és kezelésével kapcsolatos, az Európai Unióban érvényes követelményeket.

A BEÉPÍTÉS MENETE



RÁDIÓ-ZAVAROK (INTERFERENCIA)

A mikrohullámú sütő vételi zavarokat okozhat a rádió- és televízió-készülékeknél, valamint hasonló szerkezeteknél. Amennyiben ilyen jellegű zavar (interferencia) lép fel, azt a következő módokon lehet elhárítani vagy csökkenteni:

- Tisztítsuk meg a sütő ajtaját és tömítéseinek felületét.
- Helyezzük a rádió- vagy televízió-készüléket minél messzebb a sütőtől.
- A rádió- illetve televízió-készülékhez használjunk megfelelően elhelyezett antennát, amely a jelek erős vételét teszi lehetővé.

A KÉSZÜLÉK FUNKCIONALITÁSÁT NEM
BEFOLYÁSOLÓ VÁLTOZTATÁSOK JOGÁT
FENNTARTJUK.

MIELŐTT SZERELŐT HÍVNÁNK

1. Ha a sütő egyáltalán nem működik, ha a kijelzőn semmi nem jelenik meg, vagy ha a kijelző kikapcsol:
 - a) Ellenőrizzük, hogy a sütő megfelelően csatlakoztatva van-e az elektromos hálózathoz. Ha nincs, húzzuk ki a villásdugót a konnektorból, várjunk 10 másodpercet és dugjuk be újból.
 - b) Ellenőrizzük, hogy az elektromos hálózatban nem égett-e ki egy biztosíték, illetve hogy a főbiztosítéknál nem szakadt-e meg az áramellátás. Ha a biztosítékokon nem látható semmilyen hiba, próbáljuk ki a villásdugót valamilyen más készülékkel.
2. Ha a mikrohullámú sütő nem melegít, azaz nem ad le mikrohullámú energiát:
 - a) Ellenőrizzük, hogy a programozó óra megfelelően van-e beállítva.
 - b) Ellenőrizzük, hogy az ajtó megfelelően be van-e csukva. Ha nincs, nem fog mikrohullámú energia felszabadulni.

Ha a fenti tanácsok segítségével sem tudtuk elhárítani a hibát, vegyünk fel a kapcsolatot a legközelebbi szakszervizzel.

Ha információra van szüksége, vagy forduljon az adott ország Gorenje vevőszolgálatához (a telefonszámot megtalálja a világszerte érvényes garancialevélen). Ha országában nem működik vevőszolgálat, forduljon a Gorenje helyi szaküzletéhez vagy a Gorenje háztartási kisgépek és szépségápolási termékek üzletágának vevőszolgálatához.

Csak személyes használatra!

Kiegészítő sütési javaslatokat és egyéb hasznos információkat a mikrohullámu sütőhöz megtalálhatja a következő web-oldalon:

<http://www.gorenje.hu>

SOK ÖRÖMET KÍVÁN ÖNNEK MIKROHULLÁMÚ SÜTŐJE HASZNÁLATA SORÁN!

gorenje

SZANOWNI PAŃSTWO

Dziękujemy za zaufanie jakim obdarzyliście nas Państwo, kupując nasz piekarnik. Przekonajcie się Państwo sami, że na naszych wyrobach możecie polegać. Abyście Państwo łatwiej zrozumieli działanie urządzenia, dodaliśmy dokładnie napisaną instrukcję obsługi.

Instrukcja ta powinna Wam ułatwić zaznajomienie się z Waszym nowym urządzeniem. Prosimy, abyście przed pierwszym uruchomieniem urządzenia dokładnie przeczytali instrukcję obsługi.

Prosimy o sprawdzenie czy urządzenie, które otrzymaliście jest nieposzkodowane. W przypadku uszkodzenia powstałego podczas transportu, należy zwrócić się do sprzedawcy u którego urządzenie zostało kupione lub do okręgowego magazynu skąd urządzenie zostało dostarczone. Numer telefonu, znajdziecie Państwo na rachunku lub kwicie dostawy.

Życzymy Państwu wiele zadowolenia przy użytkowaniu Waszego nowego urządzenia.



Urządzenie przeznaczone jest do użytku w gastronomii. Oddziaływaniem energii elektromagnetycznej, służy wyłącznie do podgrzewania żywności oraz napojów. Kuchenki należy używać tylko w zamkniętych pomieszczeniach.

INSTRUKCJA OBSŁUGI

Instrukcja obsługi przeznaczona jest dla użytkownika. Zawiera opis urządzenia i sposób jego użytkowania. Instrukcja odnosi się do różnych typów urządzeń dlatego też może zawierać opisy funkcji, których urządzenie państwa nie posiada.



Nigdy nie dotykaj powierzchni ogrzewania lub urządzenia do gotowania. Staną się nagrzewa podczas pracy. Trzymaj dzieci w bezpiecznej odległości. Istnieje ryzyko spalania!



Źródło promieniowania mikrofal i wysokiego napięcia. Nie zdejmować obudowy.

OSTRZEŻENIE! Urządzenie i jego dostępne części nagrzewają się podczas użytkowania. Należy użytkować urządzenie ostrożnie, aby ich nie dotykać. Dzieci poniżej 8 roku życia nie powinny zbliżać się do urządzenia bez ciągłego nadzoru. Urządzenie może być użytkowane przez dzieci powyżej 8 roku życia oraz osoby o ograniczonych możliwościach fizycznych lub umysłowych, przez osoby niedoświadczone lub o niewystarczającej wiedzy pod warunkiem, że korzystają z urządzenia pod nadzorem lub zostały poinstruowane w zakresie bezpiecznej obsługi urządzenia i znają niebezpieczeństwa związane z użytkowaniem urządzenia. Należy dopilnować, aby dzieci nie bawiły się urządzeniem. Dzieci powyżej 8 roku życia nie mogą czyścić i przeprowadzać konserwacji urządzenia bez nadzoru. Dzieci poniżej 8 roku życia nie powinny zbliżać się do urządzenia raz przewodu zasilającego.

- **UWAGA:** Podczas korzystania z funkcji mikrofal + grill dochodzi do znacznego wzrostu temperatury. W tym wypadku zaleca się, by dzieciom podczas użytkowania kuchenki towarzyszyła osoba dorosła (tylko dla kuchenek posiadających funkcję grilowania).
- **UWAGA:** Jeśli uszkodzone są drzwiczki lub powierzchnie uszczelniające, kuchenka nie powinna być uruchamiana

do czasu jej naprawy przez wykwalifikowaną osobę.

- **UWAGA:** Wykonywanie jakichkolwiek czynności serwisowych lub naprawczych związanych ze zdejmowaniem którejkolwiek z pokryw lub części obudowy, dających osłonę przed energią mikrofalową jest niebezpieczne dla każdego i łączy się z ryzykiem. Dlatego tego rodzaju czynności powinna dokonywać wyłącznie osoba wykwalifikowana.
- **UWAGA:** Cieczy i innych artykułów żywnościowych nie wolno ogrzewać w szczelnych pojemnikach, gdyż są one podatne na eksplozję.
- Usuwanie nóżek kuchenki oraz pokrywanie odwietrzników jest zabronione.
- Do gotowania należy używać wyłącznie naczyń i przyrządów specjalnie przeznaczonych do zastosowania w kuchenkach mikrofalowych.
- Podczas podgrzewania żywności w pojemnikach plastikowych lub papierowych, należy często sprawdzać proces gotowania ze względu na możliwość zapłonu pojemników.
- W przypadku pojawienia się dymu, wyłączyć kuchenkę lub odłączyć ją od sieci zasilania i nie otwierać drzwiczek, by stłumić możliwe płomienie.
- Mikrofalowe podgrzewanie napojów może powodować opóźnione nagłe wykipienie, dlatego też zaleca się uważne manipulowanie naczyniami w których były one podgrzewane.
- Po podgrzaniu pożywienia dla dzieci (niemowląt) w butelkach lub słoikach (bez zakrętki i smoczka), należy zawartość dobrze wymieszać lub wstrząsnąć. Przed podaniem pożywienia należy sprawdzić jego temperaturę, aby uniknąć możliwości oparzeń.

- Nie należy gotować jajek w skorupie ani podgrzewać ugotowanych jajek na twardo, gdyż mogą pęknąć, nawet po zakończonym już podgrzewaniu.
- Do czyszczenia drzwiczek kuchenki, powierzchni uszczelniających oraz wnętrza, należy używać łagodnych środków czyszczących oraz gąbek lub miękkich szmatek.
- Kuchenkę mikrofalową należy systematycznie i dokładnie czyścić, oraz usunąć z jej wnętrza resztki jedzenia.
- Nieregularna pielęgnacja kuchenki mikrofalowej może spowodować uszkodzenia jej powierzchni, co z kolei może ujemnie wpłynąć na wiek trwania urządzenia, oraz może wywołać niebezpieczeństwo.
- W przypadku uszkodzenia przewodu zasilającego, wymiany może dokonać producent, autoryzowany serwis lub odpowiednio do tego celu wykwalifikowana osoba.
- Nie pozostawiaj przewodu sieciowego zwisającego z krawędzi stołu lub blatu kuchennego.
- W celu uniknięcia niebezpiecznych sytuacji nie należy podłączać tego urządzenia do zewnętrznego włącznika czasowego lub układu zdalnego sterowania.
- Nie należy samodzielnie wymieniać lampy kuchenki ani zezwalać na wykonanie tej czynności osobie nieautoryzowanej przez serwis. W przypadku awarii lampy kuchenki należy skontaktować się ze sprzedawcą lub autoryzowanym serwisem GORENJE.
- **OSTRZEŻENIE:** Do czyszczenia kuchenki mikrofalowej nie należy używać dostępnych w sprzedaży środków czyszczących do kuchenek, urządzeń do czyszczenia parowego, środków ściernych, druciaków, agresywnych środków czyszczących, środków zawierających wodorotlenek sodu.

WSKAZÓWKI DOTYCZĄCE BEZPIECZNEGO UŻYTKOWANIA KUCHENKI

Poniżej podane zostały niektóre zasady i wskazówki dotyczące bezpieczeństwa, które (podobnie jak w przypadku użytkowania innych urządzeń elektrycznych) należałoby uwzględnić. Zapewni to bezpieczne i najskuteczniejsze działanie kuchenki.

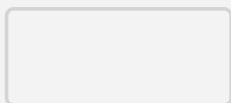
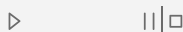
1. Always have the glass tray, roller arms, coupling and roller trl. Podczas działania kuchenki talerz obrotowy, nośniki rolek, podstawek (sprzęgło) i pierścień zawsze powinny być umieszczone na swoim miejscu.
2. Kuchenki należy używać wyłącznie do przyrządzania potraw. Nie wolno używać jej do suszenia ubrań, papieru lub innych przedmiotów. Nie nadaje się ona również do procesu sterylizacji przedmiotów czy żywności.
3. Nie wolno włączać pustej kuchenki, gdyż może to spowodować jej uszkodzenie.
4. W wnętrzu kuchenki nie należy przechowywać przedmiotów, a w szczególności książek kucharskich, gazet itp.
5. Potrawy, które posiadają błonę, czy otacza ich skórka tj. żółtka, ziemniaki, wątróbki drobiowe i tym podobne, należy przed gotowaniem kilkakrotnie nakłóć widelcem.
6. Do otworów znajdujących się po zewnętrznej stronie kuchenki nie wolno wkładać żadnych przedmiotów.
7. Z kuchenki nie wolno usuwać żadnych części, takich jak nożyki, śruby, złącza itp.
8. Potraw nie należy gotować bezpośrednio na szklanym talerzu. Żywność zawsze należy włożyć do odpowiedniego naczynia.

WAŻNE: W kuchenke mikrofalowej nie należy używać:

- naczyń metalowych lub naczyń z metalowymi uchwytnami.
- naczyń z metalowym wykończeniem lub dekoracją.
- klamer drucianych powlekanych papierem do wiązania worków foliowych.
- naczyń z melaminu, ponieważ zawierają one substancje wchłaniające energię mikrofalową. Grozi to pęknięciem naczynia lub jego zwęgleniem. Co więcej, przedłuża to czas przygotowywania żywności.
- naczyń, których powierzchnia nie jest przystosowana do użycia w kuchenke mikrofalowej. Nie należy również używać zamkniętych filiżanek z uchwytnami.
- pojemników o małych otworach lub butelek z wąskimi szyjkami, gdyż mogą one podczas podgrzewania pęknąć.
- zwykłych termometrów do mięsa lub wypieków. Na rynku dostępne są specjalne termometry, które przystosowane są do zastosowania w kuchenkach mikrofalowych.

9. Przyrządy przeznaczone do użycia w kuchenke mikrofalowej należy używać zgodnie z instrukcją obsługi ich producenta.
10. Kuchenka mikrofalowa nie nadaje się do smażenia potraw.
11. Należy pamiętać, iż energia mikrofalowa nie nagrzewa naczyń w których przygotowywana jest żywność. Mimo iż naczynie, będzie na dotyk chłodne, temperatura artykułu żywnościowego będzie tak samo wysoka jak po zwykłym gotowaniu. Dlatego po odstąpieniu (chłodnej) przykrywki potrawa będzie parować.
12. Przed spożyciem należy sprawdzić temperaturę żywności, szczególnie jeśli chodzi o artykuły żywnościowe dla dzieci i niemowląt. Radzi się, aby po wyjęciu żywności z kuchenki poczekać kilka minut, potrawę należy przemieszać lub wstrząsnąć aby temperatura pożywienia była równomiernie rozprowadzona.
13. Żywność zawierającą tłuszcze i wodę należy po wyłączeniu się kuchenki przetrzymać w niej przez kolejnych 30 - 60 sekund. Spowoduje to uspokojenie się składników. Potrawa po wstawieniu do niej łyżki lub dodaniu kostki Maggi nie będzie się pienić.
14. Należy pamiętać, że czas przygotowywania niektórych potraw (np. budyniu wigilijnego, marmolady lub mielonego mięsa), jest krótszy w porównaniu z ich tradycyjnym przygotowywaniem. Do podgrzewania potraw zawierających dużą ilość tłuszczu lub cukru nie wolno używać naczyń z tworzyw sztucznych.
15. Mimo, iż energia mikrofalowa nie nagrzewa naczyń, naczynie może absorbować ciepło pochodzące z potrawy. Najczęściej pojawia się to w przypadku pokrycia żywności folią. By zapobiec poparzeniom, zaleca się używanie rękawiczek ochronnych, podczas wyjmowania naczyń z kuchenki.
16. Aby zmniejszyć możliwość wystąpienia pożaru w komorze kuchenki:
 - a) Należy dokładnie określić czas przygotowywania żywności i uważać by jej nie podgrzewać za długo. Uważnie należy sprawdzać proces podgrzewania żywności jeśli używamy do tego przyrządów papierowych, z tworzyw sztucznych lub innych łatwo palnych materiałów.
 - b) Należy usunąć druciane spinki czy sznurki, którymi związana jest pakowana w woreczkach żywność.
 - c) Nie wolno otwierać drzwiczek kuchenki w przypadku zapalenia się wsadu. Kuchenkę należy natychmiast odciąć od zasilania prądu przez wyciągnięcie wtyczki z gniazdka lub przez odkręcenie bezpiecznika z głównej tablicy rozdzielczej.

OPIS KUCHENKI



WYŚWIETLACZ

Pokazuje wybrane funkcje oraz czas.

SYMBOLE NA WYŚWIETLACZU

- Mikrofale
- Grill
- Kombinacja (mikrofale + grill)
- Szybkie rozmrażanie z ustawieniem czasu
- Automatyczne rozmrażanie z ustawieniem wagi
- Programy automatyczne
- Sygnał ostrzegawczy (alarm)
- Zegar (czas dzienny)
- Blokada zabezpieczająca (zamknięcie)

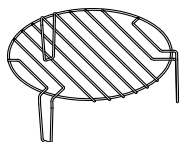
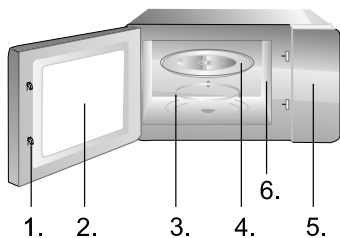
PRZYCISKI

- Mikrofale
- Grill
- Kombinacja (mikrofale + grill)
- Rozmrażanie
- Automenu
- Alarm/ Zegar

POKRĘTŁO

- Start
- Pauza/ Stop

PRZYCISK OTWIERAJĄCY DRZWI CZKI



1. Ochronny system zatrzasków drzwi
2. Okno kuchenki
3. Pierścień łożyska
4. Szklany talerz
5. Panel sterujący
6. Prowadnica falowa (prosimy, aby nie usuwać płyty krzemionkowej, która chroni prowadnicę falową).

Kratka do grillowania (można jej używać jedynie do funkcji grillowania lub w połączeniu z funkcją mikrofale. Należy ją zawsze jedynie postawić na szklany talerz).

1. ZEGAR

Kuchenka wyposażona jest w zegar cyfrowy. Gdy kuchenka jest w trybie gotowości, za pomocą przycisku ZEGAR można nastawić czas w cyklu 24 godzinnym.

Przykład: Ustawienie czasu w kuchenke na godzinę 8:30.

1. Gdy kuchenka znajduje się w stanie gotowości, należy przez 3 sekundy przytrzymać wciśnięty przycisk ZEGAR. Napis na wyświetlaczu zacznie pulsować. Godzinę 08:00 należy ustawić, obracając pokrętkę i przyciskając je w celu potwierdzenia wyboru godziny.
2. Następnie za pomocą pokrętki należy ustawić minuty 08:30 i przycisnąć je w celu potwierdzenia wyboru minut.

UWAGA: Podczas gotowania można w dowolnym momencie za pomocą przycisku ZEGAR sprawdzić czas dzienny. Podłączając kuchenkę do sieci elektrycznej, zawsze należy uprzednio nastawić zegar.

2. PODGRZEWANIE ZA POMOCĄ MIKROFAL

Funkcja ta oferuje dwie możliwości:

a) Szybkie podgrzewanie za pomocą mikrofal (100 % mocy).

Przykład: Gotowanie ze 100 % mocą przez 5 minut.

1. Za pomocą pokrętki czas należy nastawić na 05:00.
2. W celu rozpoczęcia należy przycisnąć przycisk START.

b) Ręcznie ustawiane podgrzewanie za pomocą mikrofal

Przykład: Podgrzewanie żywności z użyciem mocy 600 W w czasie 10 minut.

1. Przycisnąć należy przycisk MIKROFALE.
2. Wielokrotnie przyciskając przycisk MIKROFALE lub obracając pokrętkę, należy wybrać stopień mocy 600 W. Wybór należy potwierdzić, przyciskając pokrętkę.
3. Obracając pokrętkę, należy ustawić czas na 10:00.
4. Aby rozpocząć program, przycisnąć należy przycisk START.

Nastawić można 9 poziomów mocy (W) nagrzewania (900, 800, 700, 600, 500, 400, 300, 200, 100), najdłuższy czas działania to 95 minut.

3. GRILL

Gotowanie bądź pieczenie na grillu szczególnie polecane jest do przygotowywania cienkich kawałków mięsa, kotletów, bitek, szaszłyków, kiełbas lub kawałków kurczaka. Grill jest również odpowiedni do przygotowania ciepłych kanapek oraz do zapiekania potraw. Najdłuższy czas działania grilla, jaki można nastawić, to 95 minut.

Przykład: Opiekanie jedzenia na grillu przez 12 minut.

1. Przycisnąć należy przycisk GRILL.
2. Obracając pokrętko, należy ustawić czas na 12:00.
3. Aby rozpocząć program, przycisnąć należy przycisk START.

UWAGA: Podczas gotowania bądź pieczenia, w połowie nastawionego czasu, kuchenka samoczynnie wyda dwa sygnały ostrzegawcze. W ten sposób przypomni, że należy obrócić jedzenie. Po obróceniu jedzenia, aby kontynuować, należy zamknąć drzwiczki i przycisnąć przycisk START. Jeżeli jedzenia nie zamierza się obracać, gotowanie bądź pieczenie jest kontynuowane.

4. DZIAŁANIE KOMBINOWANE C-1

Kuchenka będzie 55 procent czasu działać z użyciem mikrofal, a 45 procent czasu z użyciem grilla. Ten tryb działania zalecany jest do przygotowywania ryb lub do zapiekania potraw. Najdłuższy czas działania, jaki można nastawić, to 95 minut.

Przykład: Ustawienie działania kombinowanego C-1 na 25 minut.

1. Przycisnąć należy przycisk KOMBINACJA. Na wyświetlaczu ukaże się C-1.
2. Wybraną kombinację należy potwierdzić, przyciskając pokrętko.
3. Obracając pokrętko, należy ustawić czas na 25:00.
4. Aby rozpocząć program, przycisnąć należy przycisk START.

5. DZIAŁANIE KOMBINOWANE C-2

Kuchenka będzie 36 procent czasu działać z użyciem mikrofal, a 64 procent czasu z użyciem grilla. Ten tryb działania zalecany jest do przygotowywania puddingów, zapiekanego ryżu, omletów, pieczonych ziemniaków oraz drobiu. Najdłuższy czas działania, jaki można nastawić, to 95 minut.

Przykład: Ustawienie działania kombinowanego C-2 na 25 minut.

1. Dwukrotnie należy przycisnąć przycisk KOMBINACJA lub nastawić, obracając pokrętko. Na wyświetlaczu ukaże się C-2. Wybór należy potwierdzić, przyciskając pokrętko.

2. Obracając pokrętko, należy ustawić czas na 25:00.
3. Aby rozpocząć program, przycisnąć należy przycisk START.

6. AUTOMATYCZNE ROZMRAŻANIE

Kuchenka oferuje możliwość rozmrażania mięsa, drobiu oraz owoców morza. Czas rozmrażania oraz moc samoczynnie się dostosują do uprzednio nastawionej wagi. Zakres, w jakim można nastawić wagę zamrożonego produktu, wynosi od 100 g do 2000 g.

Przykład: Rozmrażanie zamrożonych 600 g ryb.

1. Przycisnąć należy przycisk ROZMRAŻANIE.
2. Obracając pokrętko, należy nastawić wagę na 600 g.
3. Aby rozpocząć program, przycisnąć należy przycisk START.

UWAGA: Podczas rozmrażania w połowie nastawionego czasu, kuchenka samoczynnie wyda dwa sygnały ostrzegawcze. W ten sposób przypomni, że należy obrócić jedzenie. Po obróceniu jedzenia, aby kontynuować, należy zamknąć drzwiczki i przycisnąć przycisk START. Jeżeli jedzenia nie zamierza się obracać, gotowanie bądź pieczenie jest kontynuowane.

7. SZYBKIE ROZMRAŻANIE

Kuchenka oferuje również możliwość szybkiego rozmrażania.

Przykład: Szybkie rozmrażanie chleba.

1. Dwukrotnie należy przycisnąć przycisk ROZMRAŻANIE lub wybrać symbol na wyświetlaczu, wskazujący rozmrażanie z ustawieniem czasu.
2. Obracając pokrętko, nastawić należy dowolny czas.
3. Aby rozpocząć program, przycisnąć należy przycisk START.

UWAGA: Podczas rozmrażania w połowie nastawionego czasu, kuchenka samoczynnie wyda dwa sygnały ostrzegawcze. W ten sposób przypomni, że należy obrócić jedzenie. Po obróceniu jedzenia, aby kontynuować, należy zamknąć drzwiczki i przycisnąć przycisk START. Jeżeli jedzenia nie zamierza się obracać, gotowanie bądź pieczenie jest kontynuowane.

8. PROGRAMY AUTOMATYCZNE

Dla produktów w trybie programu automatycznego, należy nastawić jedynie rodzaj i masę/ ilość żywności. Program kuchenki pomoże nastawić moc i czas.

Przykład:

1. Przycisnąć należy przycisk AUTOMENU.
2. Ponownie przyciskając przycisk AUTOMENU lub

obracać pokrętko, należy wybrać żądany produkt żywnościowy. Wybierać można spośród programów A1-A8. Wybór należy potwierdzić, przyciskając pokrętko.

3. Obracając pokrętko, należy następnie wybrać przybliżoną masę/ ilość.
4. Aby rozpocząć program, przycisnąć należy przycisk START.

Menu	Masa/ ilość	Moc mikrofal
A1 Szybkie podgrzewanie	150g	100%
	250g	
	350g	
	450g	
	600g	
A2 Płynny	1 filiżanka	100%
A3 Prażona kukurydza	50g	100%
	100g	
A4 Mięso	150g	100%
	300g	
	450g	
	600g	
A5 Ziemniaki	230g	100%
	460g	
	690g	
A6 Warzywa	150g	100%
	350g	
	500g	
A7 Ryba	150g	80%
	250g	
	350g	
	450g	
	650g	
A8 Makaron	50 g (450 ml wody)	80%
	100 g (800 ml wody)	
	150 g (1200 ml wody)	

9. GOTOWANIE WIELOFAZOWE

Kuchenka mikrofalowa oferuje możliwość gotowania w dwóch fazach.

Przykład: Zamrożone mięso zamierza się w pierwszej kolejności rozmrażać przez 10 minut, a następnie podgrzewać jeszcze przez 5 minut z użyciem mocy 600 W.

1. Dwukrotnie należy przycisnąć przycisk ROZMRAŻANIE.
2. Obracając pokrętkę, należy ustawić czas na 10:00 i potwierdzić wybór.
3. Przycisnąć należy przycisk MIKROFALE.
4. Za pomocą pokrętki należy ustawić moc na 600 W.
5. Aby rozpocząć program, przycisnąć należy przycisk START.

UWAGA: Funkcję rozmrażania można zastosować jedynie w pierwszej fazie. Automenu nie może być krokiem w gotowaniu wielofazowym.

10. QUICK START

Wskazówki dotyczące użytkowania

Funkcję tę należy stosować do szybkiego podgrzewania (mikrofales 100 %) bądź gotowania żywności. W trybie gotowości należy przycisnąć przycisk START i kuchenka będzie działać przez 30 sekund. Każde kolejne przyciśnięcie przycisku START, przedłuży czas o 30 sekund.

UWAGA: Dodatkowe przyciśnięcie przycisku START, przedłuży czas 30 sekund we wszystkich programach za wyjątkiem automatycznego gotowania, gotowania wielofazowego i automatycznego rozmrażania.

11. ZABEZPIECZENIE PRZED DZIEĆMI

Funkcja ta znajduje zastosowanie przy zapobieganiu nienadzorowanego użytkowania kuchenki przez dzieci. Gdy kuchenka jest zablokowana, na wyświetlaczu ukaże się odpowiedni symbol i użytkowanie kuchenki jest uniemożliwione.

Chcąc zablokować kuchenkę, należy równocześnie przycisnąć przyciski AUTOMENU oraz ZEGAR. Po usłyszeniu sygnału, kuchenka zablokuje się i na wyświetlaczu ukaże się symbol klucza. Gdy blokada jest aktywna, niedostępne są wszystkie przyciski.

Chcąc odblokować kuchenkę, należy ponownie przycisnąć przyciski AUTOMENU oraz ZEGAR. Sygnał ostrzegawczy oznaczać będzie, że kuchenka została odblokowana.

12. MINUTNIK

Za pomocą minutnika należy nastawić alarm, który włączy się po upływie nastawionego czasu. Najdłuższy czas, jaki można nastawić, to 95 minut.

Przykład:

1. Przycisnąć należy przycisk ZEGAR. Napis na wyświetlaczu zacznie pulsować.
2. Za pomocą pokrętki należy ustawić żądany czas.
3. Wybór należy potwierdzić za pomocą pokrętki i minutnik zacznie odliczać czas. Po upływie nastawionego czasu, włączy się sygnał ostrzegawczy minutnika.

UWAGA: Nastawienie minutnika nie wpływa na działanie piekarnika i nie odlicza czasu działania kuchenki.

13. USTAWIENIE SYGNAŁU OSTRZEGAWCZEGO

Przy pomocy tej funkcji można nastawić głośność przycisków i dźwięków, wydawanych przez urządzenie.

Pokrętko wyboru ustawień należy przycisnąć i przytrzymać na około 5 sekund. Na wyświetlaczu ukaże się napis VOL. Za pomocą pokrętki należy ustawić żądane natężenie dźwięku. Wybór należy potwierdzić, przyciskając pokrętko.

UWAGA: Gdy nastawione jest wyłączenie dźwięku (OFF), nie słyhać dźwięku przycisków, wszystkie pozostałe dźwięki, takie jak: alarm, minutnik, zakończenie programu i błąd, działają normalnie.

PIELĘGNACJA KUCHENKI MIKROFALOWEJ – CZYSZCZENIE I KONSERWACJA

1. Przed przystąpieniem do czyszczenia należy kuchenkę obowiązkowo wyłączyć i wyciągnąć kabel zasilający z gniazdka.
2. Wnętrze kuchenki powinno być zawsze czyste. Jeżeli po zakończonym gotowaniu na ściankach kuchenki zostały okruchy potraw lub krople płynu, powinno się je wytrzeć wilgotną szmatką. Do czyszczenia należy używać łagodnych środków czyszczących. Nie zaleca się używania silnych detergentów oraz środków ściernych.
3. Powierzchnię zewnętrzną należy czyścić wilgotną ściereczką. Aby zapobiec uszkodzeniom lub awarii części znajdujących się wewnątrz kuchenki, należy uważać by woda lub inne płyny nie dostały się do odwietrzników.
4. Nie wolno zmoczyć panelu sterującego. Należy czyścić go miękką, wilgotną ściereczką. Nie powinno się używać silnych środków czyszczących, środków ściernych, jak również środków czyszczących w aerosolu.
5. Jeśli na wewnętrznych lub zewnętrznych powierzchniach kuchenki osiada para, należy zetrzeć ją miękką ściereczką. Para pojawia się, gdy kuchenka umieszczona jest w środowisku bardzo wilgotnym. Nie oznacza to jednak usterki jej działania lub jej uszkodzenia.
6. Od czasu do czasu należy oczyścić również szklany talerz. Można umyć go w ciepłej wodzie i płynem do naczyń lub w zmywarce do naczyń.
7. Aby zapobiec powstawaniu hałasu podczas pracy kuchenki, należy regularnie czyścić pierścien łożyska i dolną część komory kuchenki. Zaleca się, aby wewnątrz kuchenki czyścić łagodnymi środkami, wodą lub środkiem do mycia powierzchni szklanych. Po czym, należy ją starannie wysuszyć. Podczas przygotowywania żywności w wnętrzu kuchenki kumuluje się para, która wydostaje się z potraw. Para nie wywiera żadnego wpływu ani na wewnętrzne powierzchnie kuchenki ani na pierścien łożyska. Po usunięciu pierścienia łożyska podczas czyszczenia kuchenki należy uważać aby później został on umiejscowiony prawidłowo na pierwotne miejsce.
8. W celu usunięcia nieprzyjemnych zapachów w kuchenke należy umieścić w niej głębokie naczynie

(przystosowane do użytku w kuchence mikrofalowej) z wodą. Do wody należy wycisnąć sok jednej cytryny i dodać pozostałą skórkę. Gotować przez 5 minut. Po zakończonym gotowaniu należy kuchenkę dokładnie i starannie osuszyć za pomocą miękkiej ściereczki.

ŚRODOWISKO

Urządzenia po upływie okresu eksploatacyjnego nie należy usunąć wraz ze zwykłymi odpadami komunalnymi, lecz oddać na urzędowo określone składowisko do recyklingu. Postępując w ten sposób, przyczyniają się Państwo do zachowania czystego środowiska.

WBUDOWANIE KUCHENKA MIKROFALOWA

INSTALACJA

1. Należy przekonać się, że opakowanie zostało usunięte, przede wszystkim z wnętrza komory i z wewnętrznej strony drzwiczek.
2. Po rozpakowaniu kuchenki należy upewnić się, że kuchenka nie posiada następujących uszkodzeń:
 - pochyłe drzwiczki,
 - uszkodzone drzwiczki,
 - wgniecenia lub dziury w szkle (oknie) na drzwiczkach lub wyświetlaczu,
 - wgniecenia w komorze kuchenki.Kuchenki mikrofalowej nie należy używać, jeśli znalezione zostanie któreś z podanych wyżej uszkodzeń.
3. Ciężar kuchenki mikrofalowej wynosi około 15 kg; zaleca się, aby kuchenkę mikrofalową umieścić na twardej, stabilnej powierzchni poziomej, która będzie w stanie utrzymać jej ciężar.
4. Kuchenkę należy umieścić zdala od źródeł wysokich temperatur i pary.
5. Na kuchence nie powinno stawiać się niczego.
6. Kuchenka mikrofalowa powinna być ustawiona tak, aby jej tylna część oddalona była od ściany o co najmniej 20 cm, natomiast przedmioty lub ściany po jej bokach winny być w odległości przynajmniej 30 cm. Taki sposób ustawienia kuchenki gwarantuje najlepszą wentylację.
7. NIE WOLNO USUWAĆ podstawy obrotowej talerza.
8. Gniazdko elektryczne powinno być łatwo dostępne, aby w sytuacji awaryjnej można było szybko odłączyć urządzenie. Ewentualnie należy umożliwić

odłączenie kuchenki od źródła zasilania, podłączając wyłącznik do instalacji zgodnie z odpowiednimi zaleceniami dotyczącymi okablowania. Podłącz urządzenie do jednofazowego źródła zasilania prądem zmiennym o napięciu 230 V/50 Hz za pośrednictwem prawidłowo zamontowanego i uziemionego gniazdka. **OSTRZEŻENIE! URZĄDZENIE NALEŻY BEZWZGLĘDNIE UZIEMIĆ!** Producent nie ponosi odpowiedzialności za nieprzestrzeganie tego zalecenia dotyczącego bezpieczeństwa.

9. Kuchenka mikrofalowa wymaga mocy 1,5 kVA - przed podłączeniem należy zasięgnąć porady pracownika punktu serwisowego lub wykwalifikowanej osoby.

UWAGA: Kuchenka mikrofalowa jest zabezpieczona. Posiada ona wewnętrzny bezpiecznik o właściwościach: 250 V, 10 A.

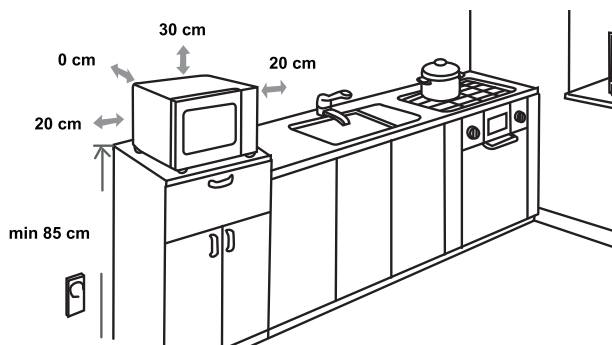
DANE TECHNICZNE

Zasilanie elektryczne.....	230V-50Hz, 1450W
Moc użyteczna	900W
Moc grilowania, grzałka grilowa	1000W
Częstotliwość robocza.....	2450MHz
Wymiary zewnętrzne.515mm(Śz) x 305mm(H) x 392mm(D)	
Pojemność kuchenki	25 litrów
Waga netto.....	około 15 kg
Poziom hałasu.....	Lc < 58 dB (A)



Urządzenie to oznaczono zgodnie z europejską wytyczną 2012/19/EU o zużytych urządzeniach elektrycznych i elektronicznych (waste electrical and electronic equipment - WEEE).Wytyczna ta określa ramy obowiązującego w całej Unii Europejskiej odbioru i wtórnego wykorzystania starych urządzeń.

PROCEDURA ZABUDOWY



ZAKŁÓCENIA W ODBIORZE FAL RADIOWYCH I TELEWIZYJNYCH

Kuchenka mikrofalowa może spowodować zakłócenia w działaniu odbiorników telewizyjnych, radiowych itp. By usunąć lub zmniejszyć zakłócenia, należy:

- Oczyścić drzwiczki kuchenki i powierzchnie uszczelek.
- Umieścić odbiorniki telewizyjne lub radiowe jak najdalej od kuchenki mikrofalowej.
- Wyposażyć odbiorników w anteny i umieszczenie ich w sposób, który umożliwi najsilniejszy odbiór sygnału.

PRODUCENT ZACHOWUJE PRAWO DO WPROWADZANIA ZMIAN NIE WPŁYWAJĄCYCH NA FUNKCJONALNOŚĆ URZĄDZENIA.

PRZED WEZWANIEM SERWISU

1. Jeśli kuchenka nie działa, jeśli wyświetlacz wyłączył się lub nie wyświetla komunikatów:
 - a) Należy sprawdzić czy urządzenie jest prawidłowo podłączone do sieci zasilania elektrycznego. Jeśli nie, należy wyciągnąć przewód elektryczny kuchenki z gniazdka zasilania elektrycznego i po 10 sekundach powtórnie włączyć urządzenie.
 - b) Należy sprawdzić bezpieczniki i gniazdko przewodu zasilającego. Gniazdko najłatwiej sprawdzić, podłączając do niego inne urządzenie elektryczne.
2. Jeśli kuchenka nie grzeje tzn. nie dochodzi do emisji energii mikrofalowej, należy:
 - a) Sprawdzić ustawienie timera.
 - b) Sprawdzić, czy drzwiczki kuchenki zostały domknięte a zamki bezpieczeństwa zamknięte. W przeciwnym razie emisja energii mikrofalowej została uniemożliwiona.

W przypadku nie możliwości rozwiązania problemu, mimo wykonania w/w czynności, należy zwrócić się do autoryzowanego punktu serwisowego.

GWARANCJA I SERWIS NAPRAWCZY

W celu uzyskania informacji lub w razie problemów z urządzeniem, zwrócić się do centrum pomocy użytkowników Gorenja w danym państwie (numer telefonu znajduje się na międzynarodowej karcie gwarancyjnej). Jeżeli w danym kraju nie ma takiego centrum, należy zwrócić się do lokalnego sprzedawcy Gorenja lub Działu małych urządzeń AGD.

Wyłącznie do własnego użytku!

Dodatkowe zalecenia i wskazówki dotyczące pieczenia za pomocą mikrofal i grilla znajdują się na stronie internetowej:

<http://www.gorenje.pl>

**WIELE SATYSFAKCJI Z KORZYSTANIA KUCHENKI
MIKROFALOWEJ ŻYCZY PAŃSTWU**

gorenje

ESTIMADA(O) CLIENTE,

Agradecemos-lhe por ter comprado um forno da nossa marca e felicitamo-lo pela sua escolha.

Para facilitar-lhe a utilização do seu novo forno, redigimos um manual pormenorizado; ajudá-lo-á a familiarizar com o mesmo. Recomendamo-lhe a lê-lo atentamente antes de colocar o seu forno em serviço.

Verifique primeiro que o seu forno chegou em bom estado. No caso de danos ocorridos durante o transporte, é favor contactar imediatamente a sua loja. Encontrará o seu número de telefone na fatura ou na nota de entrega que lhe foi entregue aquando da compra.

Desejamos-lhe que desfruta ao máximo do prazer de cozinhar com o seu novo forno.



Este forno é destinado para um uso doméstico para o aquecimento, a cozedura e o descongelamento dos alimentos e das bebidas com ondas eletromagnéticas.

Não deve ser utilizado ao ar livre.

MANUAL DE UTILIZAÇÃO

Este manual destina-se ao utilizador. Descreve o forno e a sua forma de utilização. Este manual é redigido para diferentes modelos e é portanto possível que descreva funções que o seu forno não dispõe.



Nunca toque nos elementos aquecedores dos fornos de cozedura. Tornam-se extremamente quentes durante o funcionamento. Mantenha as crianças numa distância de segurança. Existe um risco de queimadura!



Energia micro-ondas e alta tensão!
Não retire o painel de proteção contra a exposição aos micro-ondas.

AVISO: As crianças a partir de 8 anos e as pessoas com capacidades físicas, sensoriais ou mentais reduzidas, ou com falta de experiência e de conhecimentos, podem utilizar este forno sob vigilância, sob condição de ter recebido instruções sobre a forma como utilizar em toda a segurança e de ter compreendido os riscos aos quais se expõem. As crianças não devem brincar com o forno nem proceder sem vigilância à sua limpeza e à sua manutenção.

O forno e os seus elementos acessíveis tornam-se quentes durante a utilização. Tenha muito cuidado em não tocar nas resistências. Mantenha as crianças menores de 8 anos afastadas do forno, excepto se as vigiar permanentemente.

- **AVISO:** quando o forno funciona em modo combinado, as crianças apenas devem usar o mesmo sob a vigilância de um adulto devido à temperatura elevada gerada pelo grelhador. (Esta instrução aplica-se apenas nos modelos com a função grelhador).
- **AVISO:** se a porta ou a junta da porta estiverem danificadas, não utilize o forno enquanto não for reparado por um técnico competente.

- **AVISO:** é perigoso para qualquer outra pessoa que não um técnico proceder a reparações que implica à desmontagem de um painel de proteção contra a exposição no micro-ondas.
- **AVISO:** não se deve aquecer, os líquidos e os outros alimentos em recipientes fechados hermeticamente, porque estes podem explodir.
- Não retire os pés do forno e não obstrua as fendas de ventilação.
- Utilize exclusivamente uma trem de cozinha e utensílios compatíveis com um forno de micro-ondas.
- Quando aquece alimentos em recipientes de plástico ou de papel, esteja sempre atenta ao forno para poder atuar a tempo no caso do recipiente inflamar-se.
- Se vir fumo, pare o forno, desligue-o e deixe a porta fechada para abafar as eventuais chamas.
- O aquecimento das bebidas no micro-ondas pode provocar uma ebulição diferida. É favor manipular os recipientes com precaução.
- De forma a evitar qualquer risco de queimadura, agite os biberões, mexe o conteúdo dos biberões para bebés e teste a temperatura antes do consumo.
- Não ponha a cozer totalmente ovos ou nem em meia cozedura no micro-ondas, porque podem rebentar, mesmo quando a cozedura está terminada.
- Quando limpe a porta, a junta da porta e o interior do forno, utilize exclusivamente detergentes leves não abrasivos que colocará numa esponja ou num pano macio.
- É necessário limpar o forno regularmente e retirar logo qualquer resíduo alimentar.

- A falta de manutenção pode provocar uma deterioração das superfícies, o que pode afetar a duração de vida do forno e levar a certos riscos.
- Se o cabo elétrico estiver danificado, é necessário mandar substituí-lo para evitar qualquer perigo – por um técnico do Serviço Pós Venda ou por um profissional qualificado.
- Nunca limpe a mesa de cozedura com um forno de vapor ou de alta pressão: pode sofrer um choque elétrico.
- O forno não está previsto para ser comandado por um temporizador externo ou um telecomando separado.

Encontrará a seguir uma série de regras a seguir, como para todos os fornos. Permitir-lhe-ão utilizar este forno em toda a segurança e obter performances máximas.

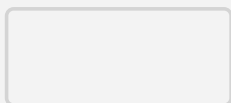
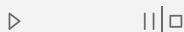
1. Quando se servir do forno, verifique se o prato rotativo, a coroa de rodinhas e o arrastador estão bem no devido lugar.
2. Utilize o forno exclusivamente para a preparação dos alimentos. Não seque no seu interior roupa, papel, ou outra coisa que não produtos alimentares. Não esterilize as conservas.
3. Não ponha a funcionar o forno no vácuo, pode danificá-lo.
4. Não utilize a cavidade do forno como espaço de arrumação para papéis, livros de cozinha, ou outros objetos.
5. Não ponha a cozer alimentos cobertos por uma membrana ou com pele sem a ter perfurada previamente com um garfo: gemas de ovo, fígado de ave, batatas, etc.
6. Não insira nenhum objeto nos orifícios da carroçaria.
7. Nunca desmonte o forno, e não retire os pés, o eixo de arrastamento, os parafusos, etc.
8. Não pouse os alimentos a cozer diretamente no prato de vidro. Coloque-os em recipientes adequados antes de os colocar no forno.

IMPORTANTE - UTENSÍLIOS DE COZINHA A NÃO UTILIZAR NO SEU FORNO DE MICRO-ONDAS:

- Não utilize pratos de metal ou com pegas de metal.
 - Não utilize nenhum recipiente com guarnição de metal.
 - Não utilize pratos de melamina, porque esta matéria absorve a energia dos micro-ondas. Pode abrandar a cozedura e o prato pode racha ou carbonizar.
 - Não ponha a aquecer em garrafas com gargalo estreito, como por exemplo as garrafas de bebidas gasosas ou de molhos para salada, porque podem rebentar no forno de micro-ondas.
 - Se necessitar de utilizar um termómetro de carne ou de açúcar, escolher um que seja especialmente destinado aos micro-ondas. Estes termómetros estão disponíveis no comércio.
9. Utilize os utensílios especiais para micro-ondas segundo as recomendações do fabricante.
 10. Não frite nada neste forno.
 11. Lembre-se que num forno de micro-ondas, o conteúdo do recipiente aquece mais rapidamente do que o próprio recipiente. Por conseguinte, mesmo que a

- tampa não lhe parecer muito quente ao toque, o líquido ou os alimentos que estão no interior libertam a mesma quantidade de vapor do que em cozedura convencional; fique prudente quando retire a tampa.
12. Quando aquece um biberão ou alimentos para bebé, teste você próprio a temperatura antes de alimentar a criança. Além disso, recomenda-se de não consumir imediatamente os alimentos ou as bebidas que acabamos de retirar do forno de micro-ondas; deixe-as descançar durante alguns minutos e misture-os para espalhar o calor de forma homogénea.
 13. Os alimentos que contêm água e gordura (por exemplo caldo em cubo) devem ficar 30 a 60 segundos no forno após a paragem do forno. Isso permite à mistura estabilizar-se e evita as fervuras quando se mergulhe uma colher ou que se adicione um caldo em cubo.
 14. Para as suas preparações líquidas e sólidas, lembre-se que alguns alimentos (por exemplo pudding de Natal, doce, carne triturada) aquecem muito rapidamente. Quando põe a cozer ou a aquecer alimentos com muito açúcar ou matéria gorda, não utilize qualquer conteúdo de plástico.
 15. Os recipientes podem ficar escaldantes devido ao calor transmitido pelos alimentos que cozem. Isso é flagrante se cobrir o prato e as pegas com uma película de plástico. Não se esqueça de colocar as luvas de cozinha quando manipula os seus recipientes.
 16. Para evitar que as suas preparações e recipientes incendeiem-se no forno:
 - a) não prolongue inutilmente a cozedura. Vigie o forno enquanto as matérias inflamáveis (papel, plástico) estiverem no interior;
 - b) antes de colocar os alimentos no forno em saquinhos de plástico, retire as ligações que os fecham se estes não tiverem fios metálicos.
 - c) Se deflagrar fogo no interior do forno, deixe a porta fechada, desligue o forno ou desligue-o da fonte de alimentação eléctrica desarmando o disjuntor ou retirando o fusível do quadro eléctrico.

PAINEL DE COMANDOS



ECRÃ

Exibe as funções seleccionadas, a hora do dia e a duração de funcionamento.

ÍCONES EXIBIDOS NO ECRÃ

- Micro-ondas
- Grelhador
- Cozedura combinada (micro-ondas + grelhador)
- Descongelação rápida com ajuste da duração
- Descongelação automática em função do peso
- Programas automáticos
- Temporizador (alarme)
- Relógio (hora do dia)
- Segurança crianças

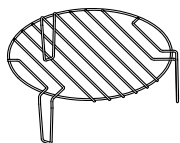
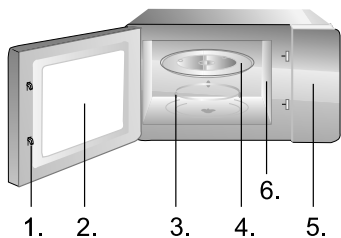
TECLAS

- Micro-ondas
- Grelhador
- Cozedura combinada (micro-ondas + grelhador)
- Descongelação
- Cozedura automática
- Temporizador / Relógio

SELECTOR ROTATIVO

- Iniciar
- Pausa / Stop

BOTÃO DE ABERTURA DA PORTA



1. Fecho de segurança da porta
2. Vidro
3. Coroa com rodinhas
4. Prato rotativo de vidro
5. Painel de comandos
6. Espalhador de ondas (não retire a placa em mica que cobre o espalhador).

Tripé (apenas para a cozedura no grelhador ou para a cozedura combinada; deve ficar sempre colocada no prato rotativo).

1. RELÓGIO

O forno está equipado de um relógio com exibição digital; quando o forno está em modo stand-by, pode ajustar a hora para o formato 24 horas tocando na tecla RELÓGIO.

Exemplo: quer ajustar o relógio para as 8h30:

1. O forno estando em stand-by, toque na tecla RELÓGIO durante 3 segundos. O mostrador começa a piscar. Ajuste primeiro as horas rodando o selector até aparecer 08:00, depois prima o selector.
2. Depois, ajuste os minutos rodando o selector até aparecer 08:30 s, depois prima o selector para validar.

NOTA: durante a cozedura, pode exibir o relógio em qualquer altura tocando na tecla RELÓGIO. Tem de acertar o relógio sempre que ligar ou desligar o forno da fonte de alimentação eléctrica.

2. COZEDURA E REAQUECIMENTO AO MICRO-ONDAS

Esta função tem duas opções:

a) Cozedura ou reaquecimento no micro-ondas (com 100% da potência)

Exemplo: reaquecimento a 100% da potência durante 5 minutos.

1. Rode o selector para ajustar o tempo de funcionamento em 05:00.
2. Toque na tecla INICIAR para iniciar o programa.

b) Cozedura no micro-ondas em modo manual

Exemplo: cozedura dos alimentos a uma potência de 600 W durante 10 minutos.

1. Toque na tecla MICRO-ONDAS.
2. Toque várias vezes na tecla MICRO-ONDAS ou rode o selector para ajustar a potência à 600 W. Valide o seu ajuste premindo o selector.
3. Rode o selector para ajustar o tempo de cozedura em 10:00.
4. Toque na tecla INICIAR para iniciar o programa.

Estão disponíveis 9 potências diferentes (em W): 900, 800, 700, 500, 400, 300, 200 e 100; o tempo de funcionamento máximo é de 95 minutos.

3. GRELHADOR

O grelhador é especialmente adaptado à cozedura da carne em fatias: escalopes, bifes, costeletas, espetadas, salsichas, ou pedaços de frangos. Convém igualmente para as tostas ou as sandes quentes e para dourar os gratinados. A duração máxima de cozedura no grelhador é de 95 minutos.

Exemplo: cozedura no grelhador durante 12 minutos.

1. Toque na tecla GRELHADOR.
2. Rode o selector para ajustar o tempo de cozedura em 12:00.
3. Toque na tecla INICIAR para iniciar o programa.

NOTA: depois de decorrer a metade do tempo de cozedura ajustado, o forno emite um sinal sonoro para lhe lembrar que é necessário virar os alimentos. Feito isso, volte a fechar a porta e toque na tecla INICIAR. Se não quiser virá-los, o forno continua o seu programa.

4. COZEDURA COMBINADA C-1

O forno funciona 55% do tempo com micro-ondas e 45% do tempo com grelhador. Este modo convém para a cozedura dos peixes e dos gratinados. Pode-se ajustar um tempo de funcionamento máximo de 95 minutos.

Exemplo: cozedura combinada C-1 durante 25 minutos.

1. Toque na tecla COZEDURA COMBINADA. »C-1« aparece no ecrã.
2. Valide o modo de cozedura escolhido premindo o selector rotativo.
3. Rode o selector para ajustar o tempo de cozedura em 25:00.
4. Toque na tecla INICIAR para iniciar o programa.

5. COZEDURA COMBINADA C-2

O forno funciona 36% do tempo com micro-ondas e 64% do tempo com grelhador. Este modo convém para a cozedura dos cremes de sobremesas, soufflés, batatas e aves. Podemos ajustar um tempo de funcionamento máximo de 95 minutos.

Exemplo: cozedura combinada C-2 durante 25 minutos.

1. Toque duas vezes na tecla COZEDURA COMBINADA, ou ajuste o modo de cozedura desejado rodando o selector. »C-2« aparece no ecrã. Valide premindo o selector rotativo.
2. Rode o selector para ajustar o tempo de cozedura em 25:00.
3. Toque na tecla INICIAR para iniciar o programa.

6. DESCONGELAÇÃO AUTOMÁTICA

O forno permite-lhe descongelar a carne, a ave, o peixe e o marisco. A duração de descongelação e a potência ajustam-se automaticamente em função do peso que indique. Os alimentos a descongelar podem pesar entre 100 g e 2000 g.

Exemplo: descongelar 600 g de peixe congelado.

1. Toque na tecla DESCONGELAÇÃO
2. Rode o selector para ajustar o peso em 600 g.
3. Toque na tecla INICIAR para iniciar o programa.

NOTA: quando decorre a metade do tempo de descongelação definido, o forno toca duas vezes para lhe lembrar que é necessário virar os alimentos. Feito isso, volte a fechar a porta e toque na tecla INICIAR. Se não quiser virá-los, o forno continua o seu programa.

7. DESCONGELAÇÃO RÁPIDA

O forno permite igualmente a descongelação rápida.

Exemplo: descongelar pão rapidamente.

1. Toque duas vezes na tecla DESCONGELAÇÃO ou rode o selector para escolher no ecrã o ícone que representa a Descongelação rápida com ajuste da duração.
2. Rode o selector para ajustar a duração de descongelação desejada.
3. Toque na tecla INICIAR para iniciar o programa.

NOTA: quando decorre a metade do tempo de descongelação definido, o forno toca duas vezes para lhe lembrar que é necessário virar os alimentos. Feito isso, volte a fechar a porta e toque na tecla INICIAR. Se não quiser virá-los, o forno continua o seu programa.

8. COZEDURA AUTOMÁTICA

Em modo Cozedura automática, basta seleccionar o tipo de alimento e o seu peso ou a sua quantidade. O forno trata de ajustar a potência e a duração de cozedura que convém.

Exemplo:

1. Toque na tecla COZEDURA AUTOMÁTICA.
2. Toque várias vezes na tecla COZEDURA AUTOMÁTICA, ou rode o selector para escolher o tipo de alimento desejado. Pode escolher entre os programas A1 e A8. Valide pressionando o selector rotativo.
3. Rode o selector para escolher o peso aproximado ou a quantidade.
4. Toque na tecla INICIAR para iniciar o programa.

Programa	Peso/quantidade	Potência dos micro-ondas
A1 Reaquecimento rápido	150g	100%
	250g	
	350g	
	450g	
	600g	
A2 Líquidos	1 taças	100%
A3 Pipocas	50g	100%
	100g	
A4 Carne	150g	100%
	300g	
	450g	
	600g	
A5 Batatas	230g	100%
	460g	
	690g	
A6 Legumes	150g	100%
	350g	
	500g	
A7 Peixe	150g	80%
	250g	
	350g	
	450g	
	650g	
A8 Massas	50 g (450 ml de água)	80%
	100 g (800 ml de água)	
	150 g (1200 ml de água)	

9. COZEDURA EM VÁRIAS ETAPAS

O forno de micro-ondas permite-lhe encadear duas etapas sucessivas.

Exemplo: descongelar durante 10 minutos carne congelada, depois cozê-la durante 5 minutos a 600 W.

1. Toque duas vezes na tecla DESCONGELAÇÃO.
2. Rode o selector para ajustar a duração de descongelação em 10:00, e depois valide.
3. Toque na tecla MICRO-ONDAS.
4. Rode o selector para ajustar a potência em 600 W.
5. Toque na tecla INICIAR para iniciar o programa.

NOTA: apenas pode seleccionar a descongelação na primeira etapa. A cozedura automática não pode constituir uma etapa do programa.

10. ARRANQUE RÁPIDO

Conselhos para a utilização do forno

Utilize esta função para aquecer ou cozer rapidamente os seus alimentos no micro-ondas à 100% da sua potência. O forno estando em stand-by, toque na tecla INICIAR: o aparelho funciona durante 30 segundos. Cada pressão sucessiva nesta mesma tecla prolonga a cozedura de 30 segundos.

NOTA: o facto de pressionar novamente a tecla INICIAR prolonga a duração de funcionamento de 30 segundos para todos os programas, excepto para a Cozedura automática, a Cozedura em várias etapas e a Descongelação automática.

11. SEGURANÇA CRIANÇAS

Utilize esta função para impedir as crianças de tenra idade de se servir do forno sem vigilância. Enquanto o forno estiver bloqueado, o ícone da Segurança crianças aparece no ecrã e o aparelho não pode funcionar.

Para activar a Segurança crianças, toque simultaneamente nas teclas COZEDURA AUTOMÁTICA e RELÓGIO.

Quando ouve um bip, o forno fica bloqueado e o ícone da Segurança crianças aparece no ecrã. Enquanto o bloqueio estiver activo, nenhuma tecla fica operacional.

Para desactivar a Segurança crianças, toque nova e simultaneamente nas teclas COZEDURA AUTOMÁTICA e RELÓGIO. Quando o sinal sonoro toca, o forno fica desbloqueado.

12. TEMPORIZADOR

Utilize o temporizador para ajustar um alarme. O lapso de tempo máximo que podemos ajustar é de 95 minutos.

Exemplo:

1. Toque na tecla RELÓGIO. A exibição da hora começa a piscar.
2. Rode o selector para ajustar o lapso de tempo desejado.
3. Valide premindo o selector rotativo: começa a contagem descrente. Quando tiver decorrido o tempo ajustado, toca no alarme.

NOTA: o ajuste do temporizador não tem nenhuma influência no funcionamento do forno; não pode utilizá-lo como temporizador corta-corrente para programar a duração de cozedura.

13. AJUSTE DO SOM (ALARME & TECLAS)

Utilize esta função para ajustar o volume do bip de teclas e dos outros toques do aparelho.

Toque na tecla de ajuste do som durante cerca de 5 segundos. »VOL« aparece no ecrã. Rode o selector para escolher o volume sonoro desejado. Prima o selector para validar.

NOTA: se seleccionar o ajuste »OFF«, as teclas não produzirão nenhum som quando as tocar, mas todos os outros toques (alarme do temporizador, bip de fim de programa, bip de erro) funcionarão normalmente.

1. Antes de proceder à limpeza, pare o forno e desligue-o.
2. Mantenha o interior do forno em bom estado de limpeza. Se alguns salpicos aderirem às paredes, remova-as com uma esponja húmida. Os detergentes agressivos ou abrasivos não são recomendados.
3. Limpe a carroçaria com uma esponja húmida. Tente não deixar cair água nas fendas de ventilação para não danificar os componentes do forno.
4. Tente manter o painel de comandos sempre seco. Limpe-o com um pano macio e húmido. Não utilize nenhum detergente, produto abrasivo nem aerossol para limpar o painel de comandos.
5. Se se acumular vapor na face interna da porta ou na sua periferia, no exterior, limpe-a com um pano macio. Este fenómeno pode ocorrer quando o forno de micro-ondas funciona em condições de humidade elevada; isso não indica de forma alguma uma disfunção do forno.
6. Por vezes não é necessário retirar o prato rotativo para o limpar. Pode lavá-lo com água quente e sabão ou na sua máquina de lavar louça.
7. A coroa com rodinhas e a parte inferior da cavidade devem ser tratadas regularmente para evitar qualquer ruído excessivo. Limpe simplesmente a parte inferior do forno com água e um detergente leve ou com um produto para os vidros, e depois seque cuidadosamente. Pode lavar a coroa com rodinhas e água morna e sabão ou na sua máquina de lavar louça. Os vapores de cozedura que fazem condensação durante utilizações repetidas não degradam de forma alguma as superfícies na parte inferior do forno nem as rodinhas da coroa. Se retirar a coroa de rodinhas para a limpeza, tente voltar a colocá-la no lugar na sua posição inicial.
8. Para eliminar os odores desagradáveis, coloque no forno uma tigela com água e sumo de limão e da sua casca. Ponha a funcionar o forno durante 5 minutos em modo micro-ondas, e depois passe a esponja e limpe cuidadosamente com um pano seco.

AMBIENTE

Quando já não funcionar, não deite o forno juntamente com o lixo doméstico, entregue-o a um organismo autorizado para este efeito, onde pode ser reciclado. Contribuirá assim à proteção do ambiente.

INSTALAÇÃO DO FORNO DE MICRO-ONDAS

INSTALAÇÃO

1. Tente retirar todos os materiais da embalagem que se encontram no interior do forno.
2. Após ter removido da embalagem o forno, verifique se está em bom estado de funcionamento, tendo um especial cuidado para os seguintes pontos:
 - Porta mal alinhada
 - Porta danificada
 - Entalhes ou orifícios na porta ou mostrador
 - Amoladelas ou orifícios na cavidade.Se notar um dos defeitos acima mencionados, **NÃO UTILIZE** o forno.
3. Este forno de micro-ondas pesa 15 kg e deve ser instalado na horizontal numa superfície suficientemente sólida para suportar o seu peso.
4. Deve ficar distante das fontes de calor elevado e das libertações de vapores.
5. **NÃO PONHA NADA** por cima do forno.
6. Deixe um espaço livre de pelo menos 20 cm de ambos os lados do forno e de 30 cm atrás para garantir uma ventilação correta.
7. **NÃO RETIRE** o eixo de arrastamento do prato rotativo.
8. Vigie as crianças quando estas utilizam o forno.
9. A localização da ficha mural deve estar adaptada ao comprimento do cabo elétrico.
10. A potência do forno é de 1,5 quilovoltâmpero. Sugerimo-lhe de consultar um electricista antes de instalar o forno.

AVISO: para a sua segurança, o forno está equipado de um fusível de 250 Volts, 10 Amperos

CARACTERÍSTICAS TÉCNICAS

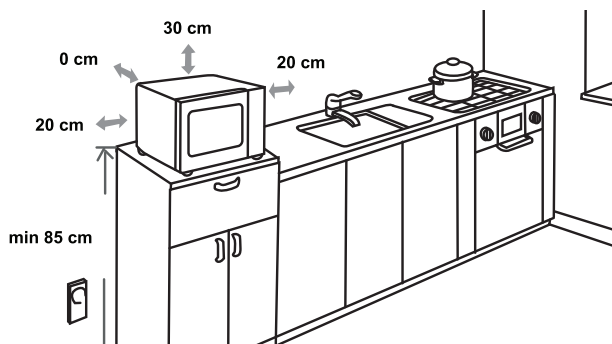
Ligação elétrica.....	230 V-50 Hz, 1450W
Potência dos micro-ondas.....	900W
Potência do grelhador.....	1000W
Frequência.....	2450MHz
Dimensões do forno ..	515mm (Larg) x 305mm (Alt) x 392 mm (Prof)
Peso do forno.....	25 litros
Peso líquido.....	cerca de 15 kg
Nível sonoro.....	Lc < 58 dB (A)



Este forno tem a marcação conforme à diretiva 2012/19/EU relativa aos resíduos dos equipamentos elétricos e eletrônicos (DEEE).

Esta diretiva é aplicável nos países da CE e define o quadro para a retoma e a reciclagem dos fornos eletro-domésticos no fim de vida útil.

DIMENSÕES DE EMBUTIMENTO



INTERFERÊNCIAS RÁDIO

O seu forno de micro-ondas pode provocar interferências com o seu receptor rádio, o seu televisor, ou outros fornos similares. Para eliminá-las ou reduzi-las, tome as seguintes medidas.

- Limpe a porta e a sua junta de impermeabilidade.
- Coloque o rádio, a TV, etc. tão longe quanto possível do forno.
- Instale uma antena conveniente para o seu receptor rádio ou TV para melhorar a recepção do sinal.

RESERVAMO-NOS O DIREITO DE PROCEDER A MODIFICAÇÕES QUE NÃO TÊM QUALQUER INCIDÊNCIA NO FUNCIONAMENTO DO FORNO.

ANTES DE CONTACTAR O SERVIÇO PÓS-VENTA

1. Se o forno não funcionar mesmo, o mostrador não liga ou apaga-se.
 - a) Verifique se o forno está corretamente ligado. Se não for o caso, retire a ficha da ficha elétrica, aguarde 10 segundos e volte a ligar o forno convenientemente.
 - b) Verifique se o fusível não saltou ou se o disjuntor não disjuntou. Se estes funcionarem normalmente, teste a ficha mural ligando outro aparelho.
2. Se o forno não funcionar em modo micro-ondas:
 - a) Verifique se a duração de cozedura ficou ajustada.
 - b) Verifique se a porta está bem fechada e se o bloqueio está activado. Caso contrário, o fluxo dos micro-ondas não podem chegar no forno.

Se o forno continuar a funcionar após ter efetuado as verificações acima indicadas, contate o serviço pós venda.

Este forno doméstico destinado à cozedura dos alimentos e das bebidas funciona com ondas eletromagnéticas e deve ser utilizado exclusivamente no interior.

GARANTIA E SERVIÇO

Se pretender obter informações suplementares ou se encontrar um problema, contacte o Serviço dos Consumidores Gorenje do seu país (encontrará o número de telefone correspondente no folheto de garantia internacional). Se não existir nenhum Serviço Consumidores Gorenje no seu país, informe-se junto do seu revendedor Gorenje local ou contate o «Service Department of Gorenje Domestic Appliances».

Reservado para uma utilização doméstica!

Encontrará informações complementares e conselhos úteis sobre a cozedura no micro-ondas e no grelhador no seu site Internet:
<http://www.gorenje.fr>

DESEJAMOS-LHE MUITO PRAZER NA UTILIZAÇÃO DO SEU FORNO

gorenje

GEACHTE KOPER

Wij danken u hartelijk voor de aankoop van deze magnetron. Wees ervan overtuigd, dat u op onze producten kunt vertrouwen.

Voor een gemakkelijker gebruik van het product hebben we een uitgebreide gebruiksaanwijzing bijgevoegd met de bedoeling om u zo snel mogelijk bekend te maken met uw nieuwe apparaat. Lees voor het gebruik van het apparaat de gebruiksaanwijzing eerst aandachtig door.

Controleer altijd eerst of u een onbeschadigd apparaat heeft ontvangen. Neem bij de constatering van transportschade contact op met de verkoper van het apparaat of met het plaatselijke magazijn, waar u het apparaat in ontvangst heeft genomen. Het telefoonnummer vindt u op de rekening of op het bewijs van ontvangst.

Wij wensen u veel plezier met het nieuwe apparaat.



Het apparaat is uitsluitend bestemd voor huishoudelijk gebruik en wel voor het verwarmen van eten en drinken met behulp van elektromagnetische energie. Het apparaat mag alleen in gesloten ruimten worden gebruikt.

GEBRUIKSAANWIJZING

De gebruiksaanwijzing is bestemd voor de gebruiker en beschrijft het apparaat en het gebruik ervan. De instructies zijn aangepast aan verschillende typen apparaten, waardoor functies kunnen worden beschreven, die uw apparaat niet bezit.



Raak nooit het oppervlak van verwarmingselementen of kooktoestellen aan, deze kunnen erg warm worden. De binnenzijde van het apparaat en de verwarmingselementen raken sterk verhit. Verbrandingsgevaar! Houdt kinderen uit de buurt.



Bron van microgolven en hoogspanning! Niet het deksel verwijderen.

LET OP! Tijdens het gebruik kunnen huishoudelijke apparaten en delen ervan heet worden. Raak geen hete oppervlakten aan. Kinderen, jonger dan 8 jaar mogen zich niet in de buurt van het apparaat bevinden. Het apparaat mag alleen worden gebruikt door personen ouder dan 8 jaar en ook met verminderde lichamelijke, zintuigelijke en verstandelijke vermogens evenals door personen met gebrekkige ervaring of kennis, mits deze onder toezicht staan of aanwijzingen krijgen voor een veilig gebruik en zich bewust zijn van de gevaren bij het gebruik. Houdt kinderen in het oog en laat ze niet met het apparaat spelen. Kinderen mogen het apparaat niet reinigen of onderhouden, tenzij zij ouder zijn dan 8 jaar en onder toezicht staan. Houdt het apparaat en de aansluitkabel buiten bereik van kinderen jonger dan 8 jaar.

- **LET OP:** Als het apparaat in de gecombineerde stand werkt, mogen, door de hoge temperaturen die ontstaan, kinderen het apparaat slechts bedienen onder toezicht van volwassenen (alleen bij de grill functie).

- **LET OP:** Als de deur of het rubber van de deur beschadigd is, mag men het apparaat niet gebruiken, zolang deze niet door een erkende servicemonteur is gerepareerd.
- **LET OP:** Reparaties aan het apparaat mogen alleen door een erkend servicemonteur worden uitgevoerd.
- **LET OP:** Vloeistoffen en ander voedsel in luchtdichte verpakking of dozen mogen niet verhit worden, gevaar van ontploffing.
- Verwijder niet de pootjes van de oven en houdt de ventilatieopeningen vrij.
- Gebruik alleen keukengerei, geschikt voor het gebruik in een magnetron oven.
- Controleer bij het verwarmen van voedsel in plastic of papieren verpakking het verwarmingsproces, de verpakking kan vlam vatten.
- Als u rook ontdekt, doe het apparaat dan onmiddellijk uit en trek de stekker uit het stopcontact, laat de deur dicht om het vuur te doven.
- Als u in de magnetron drankjes verwarmt, kunnen deze heel heet worden en overkoken, wees dus voorzichtig hiermee.
- Om verbranding te voorkomen dient u voor gebruik babyflesjes en potjes met babyvoedsel te schudden en de temperatuur te controleren.
- Verwarm in de magnetron geen eieren in de schaal of hele gekookte eieren, aangezien deze kunnen ontploffen ook al is het verhittingsproces al beëindigd.
- Gebruik voor het reinigen van de deur en het deurrubber een mild (geen agressief) reinigingsmiddel met een spons of zachte doek.

- Reinig de oven regelmatig en verwijder voedselresten.
- Als u de magnetron niet regelmatig reinigt en onderhoudt, kunnen oppervlakten slijten, hetgeen een negatieve invloed heeft op de levensduur van het apparaat en het risico van gevaar bij het gebruik verhoogt.
- Een beschadigde aansluitkabel mag alleen door een erkend vakman worden vervangen.
- Let op dat de kabel niet over de rand van tafel of werkblad hangt.
- Gebruik voor een aanzetten geen tijdschakelaar of een schakelaar op afstandbediening om gevaar te voorkomen.
- Vervang de verlichting in de oven niet zelf en laat dit ook niet doen door iemand, die niet door Gorenje gemachtigd is om dit te doen. Neem contact op met het Gorenje servicecentrum.
- **LET OP:** Gebruik voor de reiniging van de magnetron geen ovenreinigers, stoom, bijtende schuurmiddelen, middelen met caustic soda of stalen pannensponsjes.

Hierna worden enkele maatregelen genoemd die in acht moeten worden genomen, om zoals bij alle apparaten een veilige en doelmatige werking te garanderen:

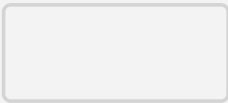
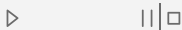
1. Tijdens de werking van de oven moeten de glazen plaat, de hendel van de rol en de pen voor de rol zich altijd op de juiste plaats bevinden.
2. Gebruik de oven voor geen ander doel dan het bereiden van voedsel. Droog er geen papier, kleding of andere voorwerpen in en gebruik hem niet voor sterilisatie.
3. Doe de oven nooit aan als hij leeg is, hij kan dan beschadigen.
4. Bewaar in de oven nooit zaken als papier, kookboeken enz.
5. Bereidt nooit geen eten met een vel, schaal of schil, zoals eierdooiers, aardappelen, kippenlevertjes enz. prik de vel eerst op meerdere plaatsen door met een vork.
6. Plaats geen voorwerpen in of tegen de openingen aan de buitenkant van de oven.
7. Verwijder nooit delen van de oven, zoals de pootjes, vergrendeling, schroeven enz.
8. Kook geen voedsel direct op de glazen plaat. Doe het voedsel eerst in een geschikte schaal, bak of ander geschikt gebruiksartikel.

BELANGRIJK: Keukengerei dat u niet in de oven mag gebruiken:

- Gebruik geen metalen pannen of bakken met metalen handgrepen.
 - Gebruik geen dozen met metalen randen.
 - Gebruik geen melamine schalen, aangezien deze elektromagnetische energie absorberen. Hierdoor kan de schaal barsten of vlam vatten. Daarnaast wordt het kook/verhittingsproces belangrijk vertraagd.
 - Gebruik geen schalen zonder speciale coating voor het gebruik in magnetron ovens.
 - Bereidt geen voedsel in een glazen pot of fles met een smalle hals, aangezien deze tijdens verhitting kan barsten.
 - Gebruik geen gewone termometers voor vlees of gebak. Gebruik alleen termometers, speciaal bestemd voor magnetrons.
9. Gebruik de hulpmiddelen voor de magnetron alleen in overeenstemming met de aanwijzingen van de fabrikant.
 10. Probeer niet te frituren met de magnetron!

11. Wees erop bedacht, dat in de oven alleen de vloeistof wordt verhit en niet de doos of schaal, waarin deze zich bevindt. Daarom bestaat de mogelijkheid, dat als u het deksel verwijdert hete stoom ontsnapt uit de doos, hoewel deze zelf niet warm wordt.
12. Controleer voor het eten altijd eerst de temperatuur van het eten, vooral als het bestemd is voor kinderen. Wij bevelen aan het eten uit de magnetron niet meteen te eten, maar enige minuten te laten staan en indien mogelijk te roeren, zodat de temperatuur gelijkmatig wordt verdeeld.
13. Eten dat bestaat uit een mengsel van vetten en water, zoals bijv. soepen, moeten we na het uitschakelen van de oven nog ongeveer 30 tot 60 seconden laten staan. Hierdoor krijgt het mengsel de tijd te stabiliseren en wordt voorkomen, dat luchtbellen ontsnappen, bijv. bij het roeren of bij het toevoegen van een soepblokje.
14. Wees erop bedacht, dat sommige gerechten, zoals bijv. kerstpudding, jam en gehakt zeer snel opwarmen. Als u voedsel verhit of kookt met een hoog vetgehalte, gebruik dan geen plastic schalen.
15. Keukengerei kan bij gebruik in een magnetron zeer heet worden, aangezien het eten warmte afgeeft. Dit is in het bijzonder het geval bij bekertjes met een oor en bij dozen met een deksel of plastic afdekking. Bij het uitnemen van deze voorwerpen dient u ovenwanten te gebruiken.
16. Om brandgevaar te voorkomen:
 - a) Let op, dat het voedsel niet te lang kookt. Houdt het kookproces goed in het oog, als het eten zich bevindt in verpakking van papier, plastic of ander brandbaar materiaal.
 - b) Verwijder voordat u een zakje in de oven doet eerst eventuele metalen sluiters.
 - c) Laat, als een voorwerp in de oven vlam mocht vatten de deur van de oven dicht, doe de oven van het lichtnet of schakel de hoofdzekering uit.

OVEN DIAGRAM



DISPLAY

Toont de gekozen functies en de tijd.

PICTOGRAMMEN VAN HET DISPLAY

- Magnetron
- Grill
- Combinatie (magnetron + grill)
- Snel ontdooien met tijdstelling
- Automatisch ontdooien op gewicht
- Automatische programma's
- Waarschuwingssignaal (alarm)
- Tijd (van de dag)
- Kinderveiligheid (vergrendeling)

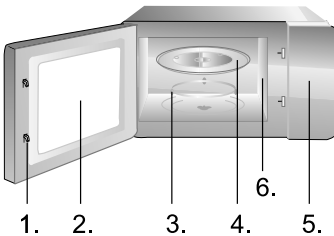
TOETSEN

- Magnetron
- Grill
- Combinatie (magnetron + grill)
- Ontdooien
- Automenu
- Alarm/Klok

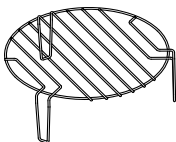
DRAAIKNOPPEN

- Start
- Pauze/Stop

KNOP VOOR HET OPENEN VAN DE DEUR



- 1.
- 2.
- 3.
- 4.
- 5.
- 6.



1. Deursluiter
2. Ovenvenster
3. Rand van de plaat
4. Glasplaat
5. Display
6. Microgolfgeleider (het silicaten afdekklaatje van de microgolfgeleider niet verwijderen).

Grillrooster (kan worden gebruikt voor de grillfunctie of in combinatie met de magnetron. Gebruik het rooster alleen op de glasplaat).

1. KLOK

De oven is uitgerust met een digitale klok. Als de oven in de standby stand staat, kan met een druk op de knop KLOK de tijd ingesteld worden op een 24-uurs cyclus.

Voorbeeld: Instelling van de tijd op 8:30.

1. Als de oven in de standby stand staat drukt u gedurende 3 seconden op de toets KLOK. Op het display gaat de tijd knipperen. Het uur 08.00 stelt u in door aan de knop te draaien. De instelling wordt bevestigd door een druk op de knop.
2. Stel daarna nog de minuten op 08.30 door aan de knop te draaien en met een druk op de knop te bevestigen.

OPMERKING: Tijdens het koken kan ten allen tijde door een druk op de knop TIJD de tijd van de dag worden gecontroleerd. Bij aansluiting op het elektriciteitsnet dient de klok altijd opnieuw ingesteld te worden.

2. VERWARMING VAN HET MAGNETRON

Deze functie heeft twee mogelijkheden:

a) Snelle verhitting met microgolven (100% vermogen).

Voorbeeld: Koken met 100% vermogen gedurende 5 minuten.

1. Stel de tijd in op 05:00 met de draaiknop.
2. Druk op de knop START om te beginnen.

b) Verhitting met microgolven door handbediening.

Voorbeeld: Verhitting van eten met een vermogen van 600W gedurende 10 minuten.

1. Druk op de knop MICROGOLVEN.
2. Kies een vermogen van 600W door meerdere malen op de knop MICROGOLVEN te drukken of aan de knop te draaien. Bevestig uw keuze door een druk op de knop.
3. Instelling van de tijd op 10:00 door het draaien van de knop.
4. Druk op START voor het begin van het programma.

De grill kan worden ingesteld op 9 vermogenstanden (W) (900, 800, 700, 600, 500, 400, 300, 200, 100), de langste werkingstijd is 95 minuten.

3. GRILL

Koken of bakken met de grill is vooral geschikt voor dunnere stukken vlees, carbonades, vleesspiesjes, worstjes of stukken kip. De grill is ook geschikt voor het

bereiden van warme sandwiches en het gratineren van eten. De langste werkingstijd van de grill die kan worden ingesteld, is 95 minuten.

Voorbeeld: Bereiding van het eten op de grill voor 12 minuten.

1. Druk op de knop GRILL.
2. Door aan de knop te draaien stelt u de tijd in op 12:00.
3. Door een druk op de knop START, start u het programma.

OPMERKING: Tijdens het koken of bakken klinken op de helft van de verstreken tijd twee pieptonen, die u eraan herinneren, dat u het eten moet omkeren. Doe na het omkeren de deur dicht en druk opnieuw op de knop START. Als u het eten niet wilt omkeren gaat u gewoon verder met koken.

**4. GECOMBINEERDE
WERKING C-1**

De oven zal 55 procent van de tijd werken met microgolven en 45 procent op de grill. Deze manier van werken is geschikt voor het bereiden van vis of gegratineerd eten. De langste tijdstelling is 95 minuten.

Voorbeeld: Instelling van gecombineerde werking C-1 gedurende 25 minuten.

1. Druk op de knop COMBINATIE. Op het scherm verschijnt C-1.
2. Bevestig de combinatie door een druk op de knop.
3. Door het draaien aan de knop stelt u de tijd in op 25:00.
4. Druk op de knop START om te beginnen met het programma.

**5. GECOMBINEERDE
WERKING C-2**

De oven zal voor 36 procent van de tijd werken op microgolven en 64 procent van de tijd op de grill. Deze manier is geschikt voor het bereiden van pudding, soufflé, omelet, gebakken aardappelen en gevogelte. De langste tijdstelling bedraagt 95 minuten.

Voorbeeld: Instelling van gecombineerde werking C-2 gedurende 25 minuten.

1. Druk twee keer op de knop COMBINATIE of kies de instelling door aan de knop te draaien. Op het scherm verschijnt C-2. Bevestig dit door een druk op de knop.
2. Stel met de knop de tijd in op 25:00.
3. Druk daarna op START om te beginnen met koken.

6. AUTOMATISCH ONTDOOIEN

De oven maakt het mogelijk vlees, gevogelte en zeebanket te ontdooien. De ontdooitijd wordt automatisch ingesteld naar gelang het gewicht van de bevroren levensmiddelen, dat kan variëren van 100 tot 2000 gram.

Voorbeeld: Het ontdooien van 600g bevroren vis.

1. Druk op de knop ONTDOOIEN.
2. Door het draaien van de knop stelt u een gewicht van 600g in.
3. Druk op START om te beginnen met ontdooien.

OPMERKING: Tijdens het koken of bakken klinken op de helft van de verstreken tijd twee pieptonen, die u eraan herinneren, dat u het eten moet omkeren. Doe het omkeren de deur dicht en druk opnieuw op de knop START. Als u het eten niet wilt omkeren gaat u gewoon verder met koken.

7. SNEL ONTDOOIEN

De oven maakt snel ontdooien mogelijk.

Voorbeeld: Het snel ontdooien van brood.

1. Druk twee keer op de toets ONTDOOIEN of kies het symbool op het display, dat ontdooien aangeeft met de tijd.
2. Draai aan de knop voor de gewenste tijdinstelling.
3. Druk op START om met ontdooien te beginnen.

OPMERKING: Tijdens het koken of bakken klinken op de helft van de verstreken tijd twee pieptonen, die u eraan herinneren, dat u het eten moet omkeren. Doe na het omkeren de deur dicht en druk opnieuw op de knop START. Als u het eten niet wilt omkeren gaat u gewoon verder met koken.

8. AUTOMENU

Bij het automenu is het nodig het soort en de massa/ eenheid van voedsel in te stellen. De oven zal helpen met de instelling van het vermogen en de tijd.

Voorbeeld:

1. Druk op de knop AUTOMENU.
2. Door nogmaals op de knop AUTOMENU te drukken of aan de knop te draaien kiest u het gewenste voedsel. U kunt een keuze maken uit de programma's A1 tot A8. De keuze wordt bevestigd door een druk op de knop.
3. Door het draaien aan de knop stelt u ongeveer de massa/eenheid in.
4. Druk op START om met het programma te beginnen.

Menu	Massa/Eenheid	Energie microgolven
A1 Snelle verwarming	150g	100%
	250g	
	350g	
	450g	
	600g	
A2 Vloeistof	1 kopje	100%
A3 Popcorn	50g	100%
	100g	
A4 Vlees	150g	100%
	300g	
	450g	
	600g	
A5 Potatoes	230g	100%
	460g	
	690g	
A6 Aardappelen	150g	100%
	350g	
	500g	
A7 Vis	150g	80%
	250g	
	350g	
	450g	
	650g	
A8 Pasta	50 g (450 ml water)	80%
	100 g (800 ml water)	
	150 g (1200 ml water)	

9. STAPSGEWIJS KOKEN

Het magnetron maakt koken in twee stappen mogelijk.

Voorbeeld: U wilt bevroren vlees eerst 10 minuten ontdooien en daarna nog 5 minuten verhitten met een vermogen van 600W.

1. Druk tweemaal op de knop ONTDOOIEN.
2. Stel met de knop de tijd in op 10:00 en bevestig dit.
3. Druk op de knop MICROGOLVEN.
4. Stel met de knop het vermogen in op 600W.
5. Druk daarna op START om met het programma te beginnen.

OPMERKING: De ontthooifunctie kan alleen worden gebruikt in de eerste stap. Het automenu kan geen onderdeel uitmaken van het stapsgewijs koken.

10. QUICK START

Adviezen voor gebruik

Deze functie wordt gebruikt voor het snel verhitten van de oven (microgolven 100%) of wel het koken van eten. Druk in de standby stand op START en de oven zal gedurende 30 seconden werken. Bij elke volgende druk op START wordt de werkingstijd met 30 seconden verlengd.

OPMERKING: De werkingstijd wordt met ieder druk op de toets START met 30 seconden verlengd, behalve bij het automatisch koken, bij stapsgewijs koken en bij het automatisch ontthooien.

11. KINDERVEILIGHEID

Deze functie wordt gebruikt om ongecontroleerd gebruik van de oven door kinderen te voorkomen.

Als de oven vergrendeld is zal op het display het sleutelsymbool verschijnen en het gebruik van de oven zal niet mogelijk zijn.

Als u de oven wilt vergrendelen drukt u tegelijkertijd op de toetsen AUTOMENU en KLOK. Als u een pieptoon hoort wordt de oven vergrendeld en het sleutelsymbool verschijnt op het display.

In vergrendelde toestand zijn alle toetsen onbruikbaar. Om de oven weer te ontgrendelen drukt u opnieuw tegelijkertijd op de toetsen AUTOMENU en KLOK. Er klinkt weer een pieptoon en de oven is weer ontgrendeld.

12. AFTELKLOK

Met de aftelklok kunt u een alarm instellen, dat u wijst op de verstreken tijd. De langst mogelijke tijd van aftelling is 95 minuten.

Voorbeeld:

1. Druk op de toets KLOK. Het teken op het display begint te knipperen.
2. Stel met de knop de gewenste tijd in.
3. Bevestig de tijd door een druk op de knop en de tijd begint af te tellen. U wordt er door een geluidssignaal op gewezen dat de tijd verstreken is.

OPMERKING: De instelling van de aftelklok heeft geen invloed op de werking van de oven en dient niet als tijdinstelling voor de werking van de oven.

13. INSTELLING VAN HET GELUIDSSIGNAAL

Met deze functie kunt u het volume en geluid van het geluidssignaal instellen.

Houdt de knop voor de instelling gedurende 5 minuten ingedrukt. Op het display verschijnt het teken VOL. Met de knop wordt het gewenste volume ingesteld. Druk op de knop om de instelling te bevestigen.

OPMERKING: Als de instelling op OFF staat, werkt het geluid van de toetsen niet. Alle anderen instellingen, zoals het alarm, de tijdafteller, het einde van het programma en foutaanduiding werken normaal.

1. Neem voor het reinigen de stekker uit het stopkontakt.
2. Zorg dat het interieur van de oven altijd schoon is. Veeg voedselresten of gespatte vloeistofresten af met een vochtige doek. Het gebruik van schuurmiddelen of agressieve reinigingsmiddelen wordt niet aanbevolen.
3. Maak de buitenkant van de oven schoon met een vochtige doek. Zorg ervoor, dat er geen vocht in de sleuven van de ventilatie kan komen om beschadiging te voorkomen.
4. Zorg ervoor, dat het display niet nat wordt. Reinig het met een zachte, vochtige doek. Gebruik geen agressieve (schuur)middelen of sprays.
5. Als er in de oven condens ontstaat, veeg dit dan af met een zachte doek. Condensvorming kan ontstaan in zeer vochtige ruimten en betekent geen fout in de werking van het apparaat.
6. Af en toe dient de glasplaat te worden verwijderd en gereinigd. Was de plaat in warm water met wat afwasmiddel of in de vaatwasmachine.
7. De draairing en de bodem van de oven dienen regelmatig gereinigd te worden, aangezien de oven tijdens de werking luidruchtig kan worden. Veeg de bodem eenvoudig schoon met een mild wasmiddel, water of een wasmiddel voor glazen ramen en droog de bodem af. De draairing kunt u afwassen met een wasmiddel of in de vaatwasmachine. Bij langer gebruik kunnen de wieltjes vochtig worden, maar dit heeft geen invloed op de werking. Zorg dat u de draairing weer op de juiste manier terugplaatst in de uitsparing.
8. Mogelijke onaangename geuren in de oven kunt u verwijderen door een diepe bak voor het bereiden van voedsel in de magnetron te vullen met water en daarin een gesneden schil van een citroen te doen. Droog de binnenkant van de oven na het draaien goed af met een droge doek.

MILIEU

Gooi het apparaat na het verstrijken van de levensduur niet weg met gewoon afval, maar deponeer het op een officiële plaats voor recycling. Zo helpt u mee aan het behoud van het milieu.

PLAATSING

1. Controleer eerst of u al het verpakkingsmateriaal heeft verwijderd. Verwijder geen karton, dat dient ter bescherming van de magnetron.
2. Controleer na de verwijdering van de verpakking of de oven zichtbare beschadigingen heeft, bijv.:
 - een hangende deur,
 - beschadigde deur,
 - barsten of gaten in het venster van de deur of het display
 - deuken aan de binnenzijde van de oven.Gebruik de oven niet als u enige vorm van beschadiging bemerkt.
3. De oven heeft een gewicht van 15 kg; plaats hem in horizontale stand op een harde ondergrond, die het gewicht van de oven kan dragen.
4. Plaats de oven op voldoende afstand van andere warmtebronnen met hoge temperaturen.
5. Zet niets op de oven.
6. Verwijder niet de aandrijfstift van het draaiende onderstel.
7. Zorg zoals bij alle elektrische apparaten voor voldoende controle als kinderen het apparaat gebruiken.
8. De wandkontaktdoos moet gemakkelijk bereikbaar zijn om het apparaat in geval van nood eenvoudig te kunnen uitschakelen. Overeenkomstig de aanwijzingen kunt u de oven ook aansluiten op een elektrische leiding met een schakelaar voor het snel uitschakelen van de voeding. Het apparaat moet worden aangesloten op een eenfase stopcontact voor wisselspanning van 230V/50Hz. **WAARSCHUWING! HET APPARAAT MOET GEAARD ZIJN!** De fabrikant verwerpt iedere vorm van aansprakelijkheid, als deze veiligheidsmaatregel niet in acht wordt genomen.
9. De oven heeft een inputvermogen nodig van 1,5 kVA. Wij bevelen aan, de plaatsing te laten uitvoeren door een service monteur of erkend vakman.

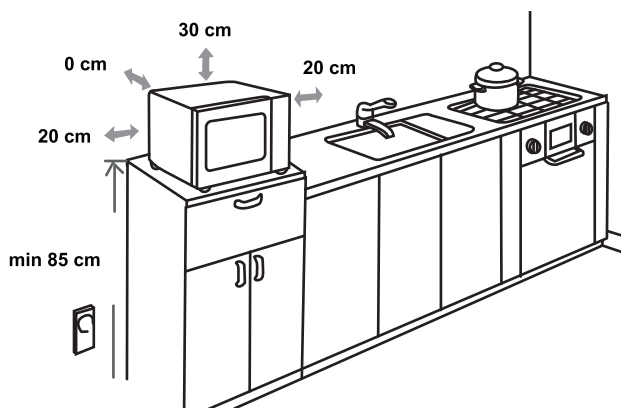
LET OP: De oven heeft een eigen bescherming in de vorm van een zekering van 250 V, 10 A.

TECHNISCHE GEGEVENS

Energieverbruik.....	230V-50Hz, 1450W
Uitgangsvermogen.....	900W
Grill.....	1000W
Werkfrequentie.....	2450MHz
Afmetingen.....	515mm(B) x 305mm(H) x 392mm(D)
Inhoud.....	25 l
Gewicht zonder verpakking:.....	ca. 15 kg
Geluidsniveau:.....	Lc < 58 dB (A)



Het apparaat is gemerkt volgens de EU richtlijn 2012/19/EU voor elektrisch en elektronisch afval (waste electrical and electronic equipment - WEEE). De richtlijnen regelen de inzameling en behandeling van elektrisch en elektronisch afval en gelden voor de hele EU.



RADIO STORING (INTERFERENCE)

De magnetron kan storing veroorzaken bij radio, TV of soortgelijke ontvangst. Bij storing kunt u de volgende dingen doen:

- Reinig de deur en het deurrubber van de oven.
- Plaats uw radio, TV ed. zover mogelijk van de oven.
- Gebruik bij radio en TV ontvangst een geschikte antenne, die een goede ontvangst mogelijk maakt.

WIJ BEHOUDEN ONS HET RECHT VOOR TOT
VERANDERINGEN, DIE GEEN INVLOED HEBBEN OP
DE WERKING VAN HET APPARAAT.

1. Als de oven helemaal niet werkt, het display blijft zwart:
 - a) Controleer of de oven juist is aangesloten op het net. Zo niet, haal de stekker uit het stopcontact, wacht 10 seconden en doe hem er weer in.
 - b) Controleer of bij het apparaat de zekering is doorgebrand en de hoofdzekering in orde is. Als u geen fout kunt ontdekken, probeer dan het stopcontact met een ander apparaat.
2. Als de oven niet verwarmt of geen energie afgeeft:
 - a) Controleer of de programmaklok juist is ingesteld.
 - b) Controleer of de deur goed gesloten is en het veiligheidsslot vergrendeld is. Is dat niet het geval, dan zal de oven geen energie afgeven.

Als het ondanks de bovenstaande aanwijzingen niet lukt het probleem op te lossen, roep dan de hulp in van een service monteur.

In geval van problemen of vragen kunt u zich richten tot het Gorenje centrum voor hulp aan gebruikers in uw land (de telefoonnummers vindt u in het internationale garantiecertificaat). Indien zich in uw land geen centrum bevindt, richt u zich dan tot het plaatselijke Gorenje verkooppunt of de Gorenje afdeling voor huishoudelijke apparaten.

Alleen voor persoonlijk gebruik!

Aanvullende aanbevelingen voor het gebruik van uw magnetron met nuttige kooktips vindt u op de website:

<http://www.gorenje.si>

**WIJ WENSEN U VEEL PLEZIER BIJ HET GEBRUIK VAN
UW MAGNETRON**

gorenje

ESTIMADO CLIENTE

Le agradecemos haber escogido nuestro producto. Pronto descubrirá que puede confiar en él.

Para facilitarle el manejo adjuntamos amplias instrucciones que le ayudarán a familiarizarse con su nuevo aparato lo antes posible. Le rogamos que lea detenidamente las instrucciones antes del primer uso.

Primero debe sobre todo cerciorarse de que su aparato esté en buen estado. En caso de identificar algún daño de transporte, comuníquese con su representante de ventas o el almacén regional que le entregó el producto. El número de teléfono está indicado en la factura o en el talón de entrega.

Le deseamos que utilice su aparato con satisfacción.



El aparato está destinado exclusivamente al uso doméstico para calentar alimentos y bebidas por medio de energía electromagnética. Debe ser utilizado sólo en lugares cerrados.

INSTRUCCIONES DE USO

Las instrucciones de uso están destinadas al usuario. Describen el aparato y su manejo. Están adaptadas a varios tipos de aparatos, por eso pueden incluir descripciones de funciones de las cuales su aparato no dispone.



Nunca toque las superficies de calefacción o aparatos de cocina. Ellos se calientan durante el funcionamiento. Mantenga a los niños a una distancia segura. Existe el riesgo de quemaduras!



La energía de microondas y de alto voltaje! No quite la cubierta.

Este aparato puede ser utilizado por niños de más de 8 años y por personas con discapacidad física, motriz o mental o por personas que carecen de experiencias o conocimientos necesarios, pero sólo bajo supervisión adecuada y con tal de que hayan recibido instrucciones sobre el uso seguro del aparato y sobre los riesgos del uso inadecuado. Los niños no deben jugar con el aparato. Los niños no deben limpiar el aparato o efectuar en él operaciones de mantenimiento sin supervisión adecuada.

- **ADVERTENCIA:** Cuando el aparato se utilice en el modo de combinación, los niños sólo deben utilizar el horno bajo supervisión de un adulto debido a las temperaturas generadas; (sólo para el modelo con función de grill)
- **ADVERTENCIA:** Algunas partes del aparato que son de fácil acceso se calientan mucho durante su funcionamiento. Tener cuidado de no tocar los dispositivos de calentamiento. Los niños que tengan menos de 8 años deben estar todo el tiempo bajo supervisión.

- **ADVERTENCIA:** Si la puerta o los cierres de la puerta están dañados, no se debe utilizar el horno hasta que haya sido reparado por una persona competente;
- **ADVERTENCIA:** Es peligroso para personas no competentes realizar operaciones de reparación que impliquen quitar las carcasas que protegen de la exposición a la energía microondas.
- **ADVERTENCIA:** no se pueden calentar líquidos u otros alimentos en recipientes cerrados ya que es posible que exploten.
- **ADVERTENCIA:** Este aparato no debe ser usado por personas (adultos o niños) con su capacidad física, psíquica o sensorial reducida, ni por quienes no tengan los conocimientos y la experiencia necesarios, a menos que sean supervisados o instruidos acerca del uso del aparato por una persona responsable de su seguridad. Asegúrese de que los niños no jueguen con este aparato.
- No quite las patas del horno, no bloquee las ranuras de ventilación del horno.
- Utilice sólo utensilios que sean aptos para su uso en hornos microondas.
- Cuando caliente alimentos en recipientes de plástico o de papel, vigile el horno debido a la posibilidad de ignición;
- Si se observa humo, apague o desconecte el aparato y mantenga la puerta cerrada para ahogar cualquier llama;
- El calentamiento de bebidas con microondas puede producir un hervido posterior, por lo tanto, debe tener cuidado cuando maneje el recipiente;

- Los contenidos de los biberones y potitos se deben remover o sacudir y se debe comprobar la temperatura antes de servirlos para evitar quemaduras;
- No se deben calentar huevos con cáscara o huevos duros en los hornos microondas ya que pueden explotar incluso tras terminar con el uso del microondas;
- Cuando limpie superficies de la puerta, cierres, la cavidad del horno, utilice sólo detergentes suaves y no abrasivos aplicados con una esponja y un paño suave.
- El horno se debe limpiar de forma regular y se deben eliminar los depósitos de alimentos;
- No mantener el horno limpio puede provocar el deterioro de las superficies, lo que puede afectar negativamente a la vida del aparato y dar como resultado posibles situaciones peligrosas;
- Si el cable de alimentación está dañado, el fabricante o su agente o una persona con una cualificación similar debe cambiarlo para evitar peligros.

INSTRUCCIONES DE SEGURIDAD PARA USO GENERAL

A continuación, como en todos los aparatos, le presentamos determinadas normas de seguridad que debe seguir para asegurar un rendimiento óptimo de este horno:

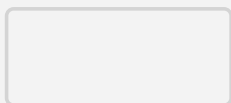
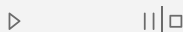
1. Mantenga siempre la bandeja de cristal, el brazo giratorio, el acople y la rejilla giratoria en su lugar cuando utilice el horno.
2. No utilice el horno para otro motivo distinto a la preparación de alimentos, como secar ropa, papel u otros elementos que no sean alimentos, ni para fines de esterilización.
3. No utilice el horno cuando esté vacío. Esto puede dañar el horno.
4. No utilice la cavidad del horno como zona de almacenamiento para papeles, libros de cocina, etc.
5. No cocine alimentos recubiertos por membranas, como yemas de huevo, patatas, hígados de pollo, etc. si haber pinchado varias veces la membrana con un tenedor.
6. No introduzca objetos en las ranuras de la carcasa exterior.
7. No quite partes del horno como las patas, el acople, tornillos, etc.
8. No cocine alimentos directamente sobre la bandeja de cristal. Coloque los alimentos en recipientes de cocina apropiados antes de colocarlos en el horno.
10. Los utensilios para microondas se deben utilizar sólo de acuerdo a las instrucciones del fabricante.
11. No intente freír alimentos en este horno.
12. Recuerde que un horno microondas sólo calienta el líquido de un recipiente más que el recipiente en sí. Por lo tanto, aunque la tapa de un recipiente no esté caliente al tacto cuando lo saque del horno, recuerde que el alimento / líquido del interior puede soltar la misma cantidad de vapor y/o salpicaduras cuando se quita la tapa que en una cocción convencional.
13. Compruebe siempre la temperatura de los alimentos personalmente especialmente si está calentando o cocinando alimentos /líquidos para bebés. Se recomienda no consumir los alimentos /líquidos directamente sacados del horno, sino dejarlos durante unos minutos y moverlos para distribuir el calor uniformemente.

IMPORTANTE - MATERIAL DE COCINA QUE NO SE DEBE UTILIZAR EN UN HORNO MICROONDAS

- No utilice recipientes metálicos o con asas metálicas.
- No utilice objetos con bordes metálicos.

- No utilice cables recubiertos de papel para sujetar las bolsas de plástico.
 - No utilice platos de melamina ya que contienen un material que puede absorber la energía de microondas. Esto puede provocar que el plato se rompa y ralentizará la velocidad de cocinado.
 - No utilice materiales de la marca Centura. El vidrio no es apto para el uso en microondas. No se deben utilizar tazas de asa cerrada de la marca Corelle.
 - No cocine en un recipiente de apertura restringida, como botellas con tapa o aceiteras, ya que pueden explotar si se calientan en un horno microondas.
 - No utilice termómetros convencionales para carne o caramelo.
 - Existen termómetros específicos para cocinar en microondas. Son los que se pueden utilizar.
14. Los alimentos que contienen una mezcla de agua y grasa deben permanecer 30-60 segundos en el horno tras apagarlo. Esto permite que la mezcla se asiente y evita burbujeos cuando se coloca una cuchara en los alimentos /líquidos o cuando se añade una pastilla de caldo.
 15. Cuando prepare/cocine alimentos/líquidos, recuerde que hay determinados alimentos, por ejemplo, pasteles de Navidad, mermeladas y carne picada que se calientan rápidamente. Cuando caliente o cocine alimentos con un alto contenido en grasa o azúcar, no utilice recipientes de plástico.
 16. Los utensilios de cocina se pueden calentar debido al calor transferido desde los alimentos calientes. Esto es especialmente cierto si se ha cubierto la parte superior y las asas del recipiente con film transparente. Es posible que se necesiten guantes de cocina para utilizar el utensilio.
 17. Para reducir el riesgo de incendio en la cavidad del horno:
 - a) No cocine los alimentos demasiado tiempo. Preste atención al microondas si ha colocado papel, plástico u otros materiales combustibles dentro del horno para facilitar la cocción.
 - b) Quite los precintos metálicos de la bolsa de papel o de plástico antes de colocar la bolsa en el horno.
 - c) Si los materiales del interior del horno se incendiaran, mantenga la puerta del horno cerrada, apague el horno y desconéctelo de la toma de corriente o corte la corriente en el fusible del panel de interruptores de circuito.

PANEL DE MANDO



PANTALLA

Indica el tiempo y las funciones seleccionadas.

SÍMBOLOS EN LA PANTALLA

- Microondas
- Plancha
- Combinado (microondas + plancha)
- *Δh Descongelación rápida en función del tiempo
- *Δg Descongelación automática en función del peso
- Programas automáticos
- Alarma
- Hora actual
- Seguridad para niños (bloqueo)

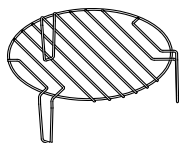
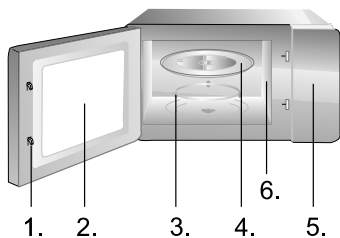
TECLAS

- Microondas
- Plancha
- Combinado (microondas + plancha)
- Descongelación
- Menú automático
- Recordatorio/reloj

PERILLA

- Start
- Pausa/Stop

BOTÓN DE APERTURA DE PUERTA



1. Cierre de la puerta
2. Ventanilla del horno
3. Anillo giratorio
4. Bandeja de vidrio
5. Panel de mando
6. Guía de ondas (por favor no retire la placa de mica que cubre la guía de ondas)

Rejilla de plancha (se utiliza sólo para la función de plancha o en combinación con microondas. Colóquela siempre en un plato de vidrio).

1. RELOJ

El horno está provisto de un reloj digital.

Cuando el horno está en estado de espera se puede ajustar la hora dentro del ciclo de 24 horas pulsando la tecla RELOJ.

Ejemplo: Ajuste de la hora en el horno a 8:30.

1. Cuando el horno está en estado de espera, pulse y mantenga pulsada la tecla RELOJ durante 3 segundos. En la pantalla empezará a parpadear la hora. Ajuste la hora a 08:00 girando la perilla. Para validar las horas pulse la perilla.
2. Después ajuste los minutos a 08:30:00 girando la perilla. Para validar los minutos pulse la perilla.

NOTA: En cada momento durante la cocción puede controlar la hora actual pulsando la tecla RELOJ. Al conectar el horno a la red eléctrica debe siempre ajustar la hora.

2. CALENTAMIENTO POR MICROONDAS

Esta función ofrece dos posibilidades:

a) Calentamiento rápido por microondas (100 % de potencia)

Ejemplo: Cocción a 100 % de potencia durante 5 minutos.

1. Ajuste el tiempo a 05:00 girando la perilla.
2. Pulse la tecla START para poner en marcha el aparato.

b) Calentamiento por microondas y con control manual

Ejemplo: Calentamiento de alimentos con potencia 600 W durante 10 minutos.

1. Pulse la tecla MICROONDAS.
2. Seleccione la potencia de 600 W pulsando varias veces la tecla MICROONDAS o girando la perilla. Para validar la selección pulse la perilla.
3. Ajuste el tiempo a 10:00 girando la perilla.
4. Pulse la tecla START para activar el programa.

Se puede ajustar la potencia (W) a 9 niveles (900, 800, 700, 600, 500, 400, 300, 200, 100). La duración máxima de funcionamiento es de 95 minutos.

3. PLANCHA

Este modo es idóneo sobre todo para hornear finas lonjas de carne, filetes, chuletas, brochetas, salchichas o pedazos de carne de aves. La plancha se utiliza también para preparar tostadas y platos gratinados. La duración máxima de funcionamiento de la plancha que se puede ajustar es de 95 minutos.

Ejemplo: Asar alimentos en la plancha durante 12 minutos.

1. Pulse la tecla PLANCHA.
2. Girando la perilla ajuste el tiempo a 12:00.
3. Pulse la tecla START para activar el programa.

NOTA: Durante la cocción o el asado el horno emitirá dos pitidos al transcurrir la mitad del tiempo ajustado para recordarle de dar vuelta a los alimentos. Después de hacerlo debe cerrar la puerta y pulsar la tecla START. Si no da vuelta a los alimentos, se prosigue la cocción o el asado.

4. FUNCIONAMIENTO COMBINADO C-1

El horno funcionará un 55 % de tiempo con microondas, y un 45 % de tiempo con la plancha. Este modo es idóneo para hornear pescado o platos gratinados. La duración máxima de funcionamiento que se puede ajustar es de 95 minutos.

Ejemplo: Ajustar el funcionamiento combinado C-1 a 25 minutos.

1. Pulse la tecla COMBINADO. En la pantalla pone C-1.
2. Para validar la selección pulse la perilla.
3. Girando la perilla ajuste el tiempo a 25:00.
4. Pulse la tecla START para activar el programa.

5. FUNCIONAMIENTO COMBINADO C-2

El horno funcionará un 36 % de tiempo con microondas, y un 64 % de tiempo con la plancha. Este modo es idóneo para preparar pudines, suflés, tortillas, patatas horneadas y carne de aves. La duración máxima de funcionamiento que se puede ajustar es de 95 minutos.

Ejemplo: Ajustar el funcionamiento combinado C-2 a 25 minutos.

1. Pulse dos veces la tecla COMBINADO o haga el ajuste girando la perilla. En la pantalla pone C-2. Para validar pulse la perilla.
2. Girando la perilla ajuste el tiempo a 25:00.
3. Pulse la tecla START para activar el programa.

6. DESCONGELACIÓN AUTOMÁTICA

En el horno se puede descongelar diferentes tipos de carnes y mariscos. El tiempo de descongelación se ajusta automáticamente en función del peso preajustado. El peso de alimentos congelados puede ser entre 100 g y 2000 g.

Ejemplo: Descongelar 600 g de pescado congelado.

1. Pulse la tecla DESCONGELACIÓN.
2. Girando la perilla ajuste el peso a 600 g.
3. Pulse la tecla START para activar el programa.

NOTA: Durante la descongelación el horno emitirá dos pitidos al transcurrir la mitad del tiempo ajustado para recordarle de dar vuelta a los alimentos. Después de hacerlo debe cerrar la puerta y pulsar la tecla START. Si no da vuelta a los alimentos, se prosigue la descongelación.

7. DESCONGELACIÓN RÁPIDA

El horno dispone también de la función de descongelación rápida.

Ejemplo: Descongelación rápida del pan.

1. Pulse dos veces la tecla DESCONGELACIÓN o seleccione el símbolo en la pantalla que corresponde a la descongelación en función del tiempo.
2. Girando la perilla ajuste el tiempo deseado.
3. Pulse la tecla START para poner en marcha el aparato

NOTA: Durante la descongelación el horno emitirá dos pitidos al transcurrir la mitad del tiempo ajustado para recordarle de dar vuelta a los alimentos. Después de hacerlo debe cerrar la puerta y pulsar la tecla START. Si no da vuelta a los alimentos, se prosigue la descongelación.

8. MENÚ AUTOMÁTICO

Para alimentos en el menú automático debe ajustar sólo el tipo y la masa/unidad del alimento. El horno le ayudará a justar la potencia y el tiempo.

Ejemplo:

1. Pulse la tecla MENÚ AUTOMÁTICO.
2. Seleccione el alimento pulsando de nuevo la tecla MENÚ AUTOMÁTICO o girando la perilla. Puede escoger entre los programas de A1 a A8. Para validar la selección pulse la perilla.
3. Luego seleccione la masa/unidad aproximada girando la perilla.
4. Pulse la tecla START para poner en marcha el aparato.

Menú	Masa/Unidad	Potencia de microondas
A1 Calentamiento rápido	150g	100%
	250g	
	350g	
	450g	
	600g	
A2 Líquido	1 taza	100%
A3 Palomitas de maíz	50g	100%
	100g	

Menú	Masa/Unidad	Potencia de microondas
A4 Carne	150g	100%
	300g	
	450g	
	600g	
A5 Patatas	230g	100%
	460g	
	690g	
A6 Verdura	150g	100%
	350g	
	500g	
A7 Pescado	150g	80%
	250g	
	350g	
	450g	
	650g	
A8 Pasta	50 g (450 ml de agua)	80%
	100 g (800 ml de agua)	
	150 g (1200 ml de agua)	

9. COCCIÓN PASO A PASO

En el horno microondas se puede cocinar en dos pasos.

Ejemplo: Descongelar la carne durante 10 minutos, después calentarla a 600 W durante 5 minutos.

1. Pulse dos veces la tecla DESCONGELACIÓN.
2. Con la perilla ajuste el tiempo a 10:00 y valide la selección.
3. Pulse la tecla MICROONDAS.
4. Con la perilla ajuste la potencia a 600 W.
5. Pulse la tecla START para activar el programa.

NOTA: La función de descongelación puede ser utilizada sólo como primer paso. El menú automático no puede ser uno de los pasos de la cocción paso a paso

10. QUICK START

Consejos de utilización

Esta función (100 % de microondas) se utiliza para calentar o cocer rápidamente los alimentos. En el estado de espera pulse la tecla START y el horno empezará a funcionar por 30 segundos. Con cada nueva pulsación de la tecla START el tiempo aumenta de 30 segundos.

NOTA: Con cada nueva pulsación de la tecla START el tiempo aumenta de 30 segundos en todos los programas, excepto en el de cocción automática, de cocción paso a paso y de descongelación rápida.

11. SEGURIDAD PARA NIÑOS

La función es utilizable para impedir el uso incontrolado del horno por parte de los niños. Cuando el horno está bloqueado, en la pantalla aparece este símbolo y el horno no puede ser activado.

Para bloquear el horno pulse simultáneamente las teclas MENÚ AUTOMÁTICO y RELOJ. Al oírse el pitido, el horno queda bloqueado y en la pantalla aparece el símbolo de la llave. En este estado quedan bloqueadas todas las teclas. Para desactivar el bloqueo del horno pulse simultáneamente las teclas MENÚ AUTOMÁTICO y RELOJ. Al oírse el pitido, el horno ya no está bloqueado.

12. TEMPORIZADOR DE CUENTA REGRESIVA

Con el temporizador de cuenta regresiva puede ajustar el recordatorio que le avisará después de haber transcurrido el tiempo ajustado. La duración máxima que se puede ajustar es de 95 minutos.

Ejemplo:

1. Pulse la tecla RELOJ. En la pantalla empezará a parpadear el tiempo.
2. Con la tecla ajuste el tiempo deseado.
3. Para validar pulse la tecla y el temporizador de cuenta regresiva se pondrá a funcionar. Después de haber transcurrido el tiempo ajustado se oír el pitido.

NOTA: El ajuste del temporizador de cuenta regresiva no tiene ningún impacto sobre el funcionamiento del horno y no sirve para ajustar la duración de su funcionamiento.

13. AJUSTE DEL SONIDO DE ADVERTENCIA

Con esta función se puede ajustar el volumen del sonido que se oye al pulsar las teclas y del pitido del aparato.

Pulse la perilla y manténgala pulsada durante 5 segundos. En la pantalla pondrá VOL. Con la perilla ajuste el volumen deseado del sonido. Pulse la perilla para validar la selección.

NOTA: Si la posición OFF está seleccionada, no se oye el sonido de las teclas, mientras que todos los otros sonidos (alarma, temporizador de cuenta regresiva, fin del programa o error) funcionan normalmente.

CUIDADOS DE SU HORNO MICROONDAS

1. Apague el horno y desconecte el enchufe de la toma de pared antes de limpiar.
2. Mantenga limpio el interior del horno. Cuando las salpicaduras de los alimentos se adhieran a las paredes del horno, límpielas con un paño húmedo. No se recomienda el uso de detergentes abrasivos.
3. Las superficies exteriores se deben limpiar con un paño húmedo. Para evitar daños a las partes operativas del interior del horno, no se debe permitir que entre agua en las ranuras de ventilación.
4. No permita que el panel de control se moje. Límpielo con un paño suave húmedo, no utilice detergentes, abrasivos o limpiadores en spray sobre el panel de control.
5. Si se acumula vapor dentro o alrededor de la puerta del horno, límpielo con un paño suave. Esto puede ocurrir cuando se utiliza el horno microondas en condiciones de gran humedad y de ningún modo indica una disfunción de la unidad.
6. A veces es necesario quitar la bandeja de cristal para limpiarla. Lave la bandeja con agua jabonosa templada o en el lavavajillas.
7. El anillo giratorio y el suelo del horno se deben limpiar de forma regular para evitar el ruido excesivo. Simplemente limpie la superficie inferior del horno con un detergente suave, agua o limpiador para ventanas y séquela. El anillo giratorio se puede lavar con agua jabonosa o en el lavavajillas. Los vapores de cocinado se acumulan durante el uso repetido, pero no afectan a la superficie inferior o a las ruedas del anillo giratorio.
Cuando quite el anillo giratorio de su cavidad para limpiarlo, asegúrese de volver a colocarlo en la posición apropiada.
8. Elimine los olores de su horno combinando una taza de agua con el zumo y la piel de un limón en un cuenco hondo para microondas. Cocínelo durante 5 minutos, limpie bien y seque con un paño suave seco.
9. Cuando sea necesario cambiar la luz del horno, consulte a su distribuidor para que la cambien.

MEDIO AMBIENTE

Al final de su vida útil, no tire el aparato junto con la basura normal del hogar. Llévelo a un punto de recogida oficial para su reciclado. De esta manera ayudará a conservar el medio ambiente.

INSTALACIÓN DEL HORNO MICROONDAS

INSTALACIÓN

1. Asegúrese de que todos los materiales de empaquetado se eliminan del interior de la puerta.
2. Inspeccione el horno tras desempaquetarlo en busca de daños visuales como:
 - Puerta desalineada.
 - Puerta dañada
 - Golpes o agujeros en la ventana de la puerta y en la pantalla
 - Golpes en la cavidad
 - Si ve alguno de los anteriores, NO utilice el horno.
3. Este horno microondas pesa 15 kg y se debe colocar en una superficie horizontal con la fuerza suficiente para soportar su peso.
4. El horno se debe colocar alejado de altas temperaturas y del vapor.
5. NO coloque objetos encima del horno.
6. Mantenga el horno al menos a 20 cm. de distancia de las paredes laterales y a 30 cm. de la pared trasera para asegurar una correcta ventilación.
7. NO quite el eje del plato giratorio.
8. Como con cualquier aparato, es necesario vigilarlo de cerca cuando es utilizado por niños. ADVERTENCIA - ESTE APARATO DEBE ESTAR CONECTADO A UNA TOMA DE TIERRA.
9. El enchufe debe estar cerca del cable de alimentación.
10. Este horno requiere 1,5 KVA para su entrada, consulte a su técnico de servicio cuando instale el horno.

¡CUIDADO! El horno dispone de su propia protección (fusible 250 V, 10 A).

ESPECIFICACIONES

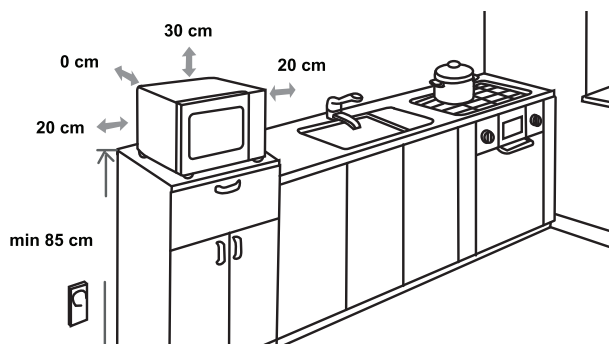
Consumo de energía: 230V-50Hz, 1450W
Salida: 900W
Resistencia de grill: 1000W
Frecuencia de operación: 2450MHz
Dimensiones exteriores:..... 515mm (anch) x 305mm (alt) x 392mm (prof)
Capacidad del horno:..... 25 litros
Peso desembalado:aprox. 15 Kg
Nivel de ruido (Lc IEC): < 58 dB (A)



Este aparato está marcado de acuerdo a la directiva europea 2012/19/EU sobre disposición de equipos eléctricos y electrónicos (DEEE).

Esta guía es el marco de validez europea para la devolución y reciclado de equipos eléctricos y electrónicos.

MEDIDAS DE ENCASTRAMIENTO



INTERFERENCIAS DE RADIO

El horno microondas puede provocar interferencias a su aparato de radio, TV o similares. Cuando se produzcan interferencias, se pueden eliminar o reducir con los siguientes procedimientos.

Limpie la puerta y la superficie de sellado del horno. Coloque la radio, el TV, etc. lo más alejado posible de su horno microondas.

Utilice una antena instalada apropiadamente para su radio, TV, etc. para obtener una recepción de señal más fuerte.

NOS RESERVAMOS EL DERECHO A CAMBIOS QUE NO INFLUYEN EN LA FUNCIONALIDAD DEL APARATO.

ANTES DE LLAMAR AL CENTRO DE REPARACIONES

1. Si el horno no funciona en absoluto, no aparecerá nada en la pantalla:
 - a) Compruebe que el horno está bien conectado. Si no, quite el enchufe de la toma de corriente, espere 10 segundos y vuelva a conectarlo firmemente.
 - b) Busque fusibles de circuito quemados o un interruptor de corriente principal saltado. Si éstos parecen funcionar correctamente, compruebe la toma con otro aparato.
2. Si el horno microondas no funciona:
 - a) Compruebe si se ha establecido el temporizador.
 - b) Compruebe que la puerta está bien cerrada y que se ha enganchado en los pestillos de seguridad. De lo contrario, la energía de microondas no fluirá dentro del horno.

Si nada de lo anterior rectifica la situación, contacte con el agente de reparaciones autorizado más cercano.

Este aparato de uso doméstico es para calentar alimentos y bebidas utilizando energía electromagnética, sólo para uso interior.

GARANTÍA Y SERVICIO

Si necesita información o tiene algún problema, en contacto con el Servicio de Atención al Cliente de Gorenje en su país (hallará el número de teléfono en el folleto de la garantía mundial). Si no hay Servicio de Atención al Cliente de Gorenje en su país, diríjase a su distribuidor local Gorenje o póngase en contacto con el Service Department de Gorenje Domestic Appliances.

¡SÓLO PARA USO PERSONAL!

Puede encontrar recomendaciones adicionales para cocinar con microondas, grill y consejos útiles en la página:

<http://www.gorenje.es>

LE DESEAMOS QUE DISFRUTE MIENTRAS UTILIZA SU APARATO

gorenje

GENTILE ACQUIRENTE

La ringraziamo sinceramente per il Suo acquisto. Crediamo che Lei presto troverà una ampia conferma che ci si può affidare davvero sui nostri prodotti. Per rendere l'utilizzo dell'apparecchio più semplice, alleghiamo questo manuale di istruzioni esauriente.

Le istruzioni La aiuteranno a familiarizzare con il Suo nuovo apparecchio. Per favore, leggerle attentamente prima di utilizzare l'apparecchio per la prima volta.

In ogni caso, si prega di accertarsi che l'apparecchio fornito sia intatto. Se si riscontra qualsiasi danno dovuto al trasporto, contattare il proprio venditore o il magazzino locale da dove il prodotto è stato consegnato. Il numero di telefono si trova sul conto o sulla ricevuta di consegna.

Le auguriamo un uso piacevole del Suo nuovo elettrodomestico.



L'apparecchio è destinato esclusivamente per l'uso domestico per riscaldare alimenti e bevande utilizzando l'energia elettromagnetica. Solo per uso in ambienti interni.

ISTRUZIONI PER L'USO

Queste istruzioni sono destinate per l'utente.

Esse descrivono l'apparecchio e il modo come usarlo. Le istruzioni riguardano i diversi tipi di apparecchi, quindi si possono trovare alcune descrizioni di funzioni che potrebbero non essere presenti nel vostro apparecchio.



Non toccare mai le superfici di riscaldamento o apparecchi di cottura. Essi surriscaldarsi durante il funzionamento. Tenere i bambini a distanza di sicurezza. Vi è il rischio di ustioni!



L'energia a microonde e ad alta tensione! Non rimuovere il coperchio.

ATTENZIONE! L'apparecchiatura e le parti accessibili diventano calde durante l'utilizzo. È necessario prestare attenzione a non toccare gli elementi riscaldanti. Tenere lontani i bambini di età inferiore a 8 anni a meno che non siano costantemente sorvegliati. Questa apparecchiatura può essere utilizzata da bambini di età superiore a 8 anni e da persone con ridotte capacità mentali, sensoriali o fisiche oppure con poca esperienza o conoscenza solo se sorvegliate o precedentemente istruite in merito all'utilizzo sicuro dell'apparecchiatura e se hanno compreso i rischi che comporta. I bambini devono usare il forno soltanto in presenza di un adulto. La pulizia e la manutenzione non devono essere eseguite dai bambini a meno che questi non abbiano almeno 8 anni e siano sorvegliati.

- **AVVERTENZA:** quando l'apparecchio viene usato nel modo combinato si sprigionano le temperature molto alte (solo gli apparecchi con la funzione del grill).
- L'uso da parte dei bambini va sorvegliato dagli adulti.
- **AVVERTENZA :** Se la guarnizione dello sportello è danneggiato, l'uso dell'apparecchio è vietato finché non riparato da un tecnico autorizzato.

- **AVVERTENZA:** La riparazione d'apparecchio può essere eseguito solo da un tecnico autorizzato.
- **AVVERTENZA:** non riscaldare liquidi o altre pietanze nei recipienti troppo piccoli poichè possono esplodere.
- Non eliminare i piedini dal forno e non coprire le aperture di aerazione.
- Usare gli accessori adatti per l'uso nel microonde.
- Quando scaldate il cibo nei recipienti di plastica o di carta; quest'ultimi vanno sorvegliati durante il processo di riscaldamento per il pericolo di incendio del recipiente.
- Se notate il fumo, spegnete l'apparecchio e staccatelo dalla rete elettrica, mentre lo sportello lasciate chiuso per soffocare possibile incendio all'interno.
- Quando scaldate le bevande nel microonde, queste si scaldano molto velocemente e possono bollire e fuoriuscire dal recipiente. Fate molta attenzione.
- Per evitare le ustioni, prima dell'uso mischiare il contenuto e scuotere il biberon di latte per i neonati. Verificare sempre la temperatura del cibo o del liquido.
- Nel microonde non si devono scaldare le uova con la buccia o le uova sode poichè possono esplodere dopo che il riscaldamento nel microonde è terminato.
- Quando pulite gli interni del forno e le guarnizioni, dovete usare i detersivi delicati (non abrasivi) e una spugna morbida.
- Pulire regolarmente il forno dai residui di cibo.

- In quanto non provvedete alla regolare manutenzione e pulizia del forno, questo può provocare il deterioramento delle superfici, la diminuzione della lunghezza di vita d'apparecchio e aumento di rischi durante il suo uso.
- Se il cavo di collegamento è danneggiato bisogna essere sostituito dal produttore o da un tecnico autorizzato.
- Fare attenzione che il cavo di alimentazione non sia posizionato sui bordi o sulla superficie del piano di lavoro.
- Non sostituire mai la lampadina interna del forno. La stessa deve essere sostituita da un centro di assistenza autorizzata Gorenje.
- Non cercate di sostituire da soli la lampadina del forno, e fatela sostituire solo da personale autorizzato. Se la lampadina si guasta, rivolgetevi al rivenditore o ad un tecnico di servizio GORENJE autorizzato.
- **ATTENZIONE!** Non utilizzare su nessuna parte del forno detergenti per forni commerciali, getti a vapore, abrasivi, detergenti ruvidi o che contengono idrossido di sodio né spugne abrasive. Pulire il forno a intervalli normali e rimuovere tutti i residui di alimenti.

In Di seguito troverete alcune regole e norme di sicurezza che, come con per gli altri apparecchi, bisogna rispettare per assicurarsi un' uso sicuro e un funzionamento ottimale del forno:

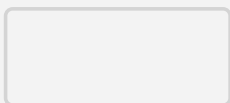
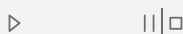
1. Durante il funzionamento del forno tutti gli accessori all'interno del forno devono essere al loro posto (vasoio girevole,..) il piatto di vetro, il braccio del rullo, il collegamento elettrico e l'incastro per il rullo devono essere sempre al loro posto.
2. Non usare il forno per nessun altro scopo se non per la cottura di alimenti; non asciugate dentro vestiti, carta e altri oggetti e non usatelo per la sterilizzazione.
3. Non accendere mai il forno a vuoto perché potrebbe danneggiarsi.
4. Non conservare niente all'interno del forno p.e come carta, libri di ricette, etc.
5. Non cucinate gli alimenti con la membrana, tipo tuorli d'uova, patate, fegato di pollo ..che senza prima non avete bucato fare dei fori con la forchetta sulla membrana in nelle varie parti.
6. Non inserire alcun oggetto nelle aperture all'esterno del forno.
7. Non togliere rimuovere mai le parti del forno tipo piedini, viti, chiavistelli chiusure, etc.
8. Non cucinate gli alimenti direttamente sul vasoio piatto di vetro ma utilizzate sempre le stoviglie adatte o altri accessori adatti.

IMPORTANTE: GLI ACCESSORI CHE NON DEVONO ESSERE USATI NEL MICROONDE

- Non usate le pentole di metallo o le stoviglie con le maniglie manici di in metallo.
- Non usate le stoviglie con bordi in metallo.
- Non usate i sigilli di metallo ricoperti di carta per la chiusura delle buste di plastica.
- Non usare le stoviglie di in melamina che in quanto contengono un materiale che assorbono assorbe l'energia del a microonde. Questo può provocare che la stoviglia si rompe lo scoppio o la bruciatura della stoviglia, o si brucia oppure inoltre rallenta il riscaldamento/cottura.
- Non usare le stoviglie non adatte per il senza l'adeguato rivestimento per l'uso del forno a microonde. Altrettanto Inoltre non usare le tazze coperte chiuse e con la maniglia i manici.
- Non preparare il cibo alimenti o le bevande nel in recipientie con l'apertura stretta p.e. quali nella bottiglia, perché si può possono rompere spaccare durante il riscaldamento.
- Non usare termometri abituali per carne e dolci. Potete usare solo termometri destinati ad' all'uso nei forni a microonde.

9. Gli accessori per il forno a microonde possono essere usati secondo le istruzioni del produttore.
10. Non cercate di friggere il cibo nel forno a microonde.
11. Fate attenzione che nel microonde si scaldia solo il liquido, ma non anche il recipiente. E' È possibile che quando togliete il coperchio, il liquido nella vaschetta nel recipiente produce il emana vapore oppure fuoriescono le goccioline anche se il coperchio stesso non è caldo.
12. Prima di consumare il cibo utilizzo bisogna sempre verificarne la temperatura del cibo, soprattutto se è destinato ai bambini. Consigliamo di non consumare il cibo/le bevande immediatamente dopo averle tolte dal forno a microonde. Bisogna lasciarle riposare per qualche minuto e mescolarle in modo che la temperatura si distribuisca omogeneamente.
13. Il cibo che contiene un miscuglio di il grasso e l'acqua deve rimanere dentro il forno dopo lo spegnimento per altri 30 - 60 secondi. Facendo così, lascerete calmare In tal modo il tutto miscuglio si stabilizza ed eviterete l'uscita la fuoriuscita di bolle quando entrerete inserite con il cucchiaino o metterete dentro il dado.
14. Durante la preparazione di certe pietanze come p.e. quali carne macinata, marmellata, budini, dovete fare l'attenzione perchè le pietanze si scaldano molto velocemente. Quando scaldate o cuocete le pietanze con una grande concentrazione di grassi o di zuccheri non dovete usare le vaschette in plastica.
15. Gli accessori che usate per la preparazione dei cibi nel forno a microonde si possono scaldare molto perchè il cibo emana il calore. Questo vale soprattutto per il coperchio o le maniglie manici ricoperte di plastica. Per prendere queste stoviglie usate i guanti o le presine da cucina.
16. Per diminuire la possibilità d'incendio all'interno del forno:
 - a) Attenzione a non cuocere troppo a lungo gli alimenti. Tenere sotto controllo il processo di riscaldamento quando nel forno sono presenti gli accessori di carta, plastica o altri materiali facilmente infiammabili.
 - b) Prima di inserire la busta nel forno eliminare senza i sigilli di metallo per chiudere le buste.
 - c) Se l'oggetto nel forno s'incendia, lasciare lo sportello del forno chiuso, spegnere il forno e staccare la spina dalla rete elettrica o rimuovere il fusibile principale dal pannello dei fusibili.

PANNELLO DI CONTROLLO



DISPLAY

Indica la funzione e il tempo selezionato.

ICONE DEL DISPLAY

- Microonde
- Grill
- Combinato (microonde + grill)
- Scongelo rapido secondo il tempo
- Auto scongelamento secondo il peso
- Programmi automatici
- Allarme
- Ora (ora del giorno)
- Sicurezza bambini (blocco)

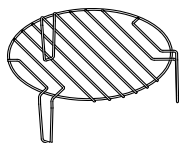
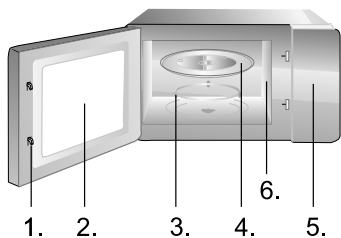
TASTI

- Microonde
- Grill
- Combinato (microonde + grill)
- Scongelo
- Auto menù
- Allarme/Ora

MANOPOLA GIREVOLE

- Start
- Pausa/Stop

TASTO PER APRIRE LO SPORTELLO



1. Chiusura di sicurezza dello sportello
2. Finestra del forno
3. Anello rotante
4. Piatto di vetro
5. Pannello di controllo
6. Guida onde (Si prega di non rimuovere la guida in mica che ricopre la guida onde).

Rete per il grill (Può essere utilizzata solo per la funzione grill o in combinazione con il microonde. Mettere la rete sempre sopra il piatto di vetro.

1. ORA

Il forno è dotato di un orologio digitale. Quando il forno è in stand - by, premendo il tasto dell'ORA si può impostare il ciclo del tempo di 24 ore.

Esempio: impostare l'ora del forno alle 8:30.

1. Quando il forno è in modalità stand-by, tenere premuto il tasto dell'ORA per 3 secondi. L'ora inizia a lampeggiare sul display. Impostare l'ora 8:00 ruotando la manopola e premerla per confermare l'ora.
- 2) Quindi impostare i minuti 08:30 ruotando la manopola e premerla per confermare i minuti.

NOTA: Durante la cottura si può in qualsiasi momento verificare l'ora del giorno premendo il tasto ORA. Quando si collega alla rete bisogna reimpostare sempre l'orologio.

2. RISCALDAMENTO A MICROONDE

Questa funzione ha due possibilità:

a) Riscaldamento veloce a microonde (potenza 100%)

Esempio: cottura con potenza al 100% per 5 minuti.

1. Impostare il tempo di 0:05 minuti girando la manopola.
- 2) Premere il pulsante START per iniziare.

b) Riscaldamento a microonde con comando manuale

Esempio: riscaldamento del cibo con potenza di 600W per 10 minuti.

1. Premere il tasto MICROONDE.
2. Selezionare il livello di potenza di 600W premendo ripetutamente il tasto MICROONDE oppure selezionarlo ruotando la manopola. Confermare la selezione premendo la manopola.
3. Impostare il tempo di 00:10 minuti ruotando la manopola.
4. Premere il pulsante START per avviare il programma.

È possibile impostare 9 livelli di potenza (W) di riscaldamento (900, 800, 700, 600, 500, 400, 300, 200, 100), il tempo di funzionamento più lungo è di 95 minuti.

3. GRILL

La cottura con il grill è particolarmente adatta per le fette sottili di carne, bistecche, bracirole, spiedini, salsicce, o pezzi di pollo. Il grill è adatto anche per la preparazione di panini caldi e piatti gratinati. Il tempo massimo di funzionamento del grill che può essere impostato è di 95 minuti.

Esempio: preparare il cibo alla griglia (grill) in 12 minuti.

1. Premere il tasto GRILL.
2. Ruotando la manopola, impostare il tempo di 00:12 minuti.
3. Premere il pulsante START per avviare il programma.

NOTA: Durante la cottura, a metà dell'ora stabilita il forno emetterà automaticamente due segnali acustici. Questo consente di ricordarsi di girare il cibo. Facendo ciò, per continuare la cottura è necessario richiudere lo sportello e premere il tasto START. Se non si vuole girare il cibo, la cottura prosegue normalmente.

4. FUNZIONAMENTO COMBINATO C-1

Il forno funzionerà per il 55 per cento del tempo a microonde, il restante 45 per cento con il grill. Questa modalità di funzionamento è adatta per la preparazione di piatti di pesce o gratinati. Il tempo massimo di funzionamento che può essere impostato è di 95 minuti.

Esempio: impostare l'operazione combinata C-1 per 25 minuti.

1. Premere il tasto COMBINATO. Sul display appare la scritta C-1.
2. Confermare la combinazione selezionata premendo il pulsante.
3. Ruotando la manopola impostare il tempo di 00:25 minuti.
4. Premere il pulsante START per avviare il programma.

5. FUNZIONAMENTO COMBINATO C-2

Il forno funzionerà per il 36 per cento del tempo a microonde, il restante 64 per cento con il grill. Questa modalità di funzionamento è adatta per la preparazione di budini, sformati, frittate, patate al forno e pollame. Il tempo massimo di funzionamento che può essere impostato è di 95 minuti.

Esempio: impostare l'operazione combinata per 25 minuti.

1. Premere il tasto COMBINATO due volte o impostarlo ruotando la manopola. Sul display appare la scritta C-2. Confermare la combinazione selezionata premendo il pulsante.
2. Ruotando la manopola impostare il tempo di 00:25 minuti.
3. Premere il pulsante START per avviare il programma.

6. AUTO SCONGELAMENTO

Il forno consente lo scongelamento di carne, pollame e frutti di mare. Il tempo di scongelamento e la potenza si regolano automaticamente in base al peso che viene impostato prima. Il peso degli alimenti congelati può essere compreso tra i 100g e i 2000g.

Esempio: scongelamento di 600g di pesce surgelato.

1. Premere il tasto di SCONGELAMENTO.
2. Ruotando la manopola impostare il peso di 600g.
3. Premere il pulsante START per avviare il programma.

NOTA: Durante la cottura, a metà dell'ora stabilita il forno emetterà automaticamente due segnali acustici. Questo consente di ricordarsi di girare il cibo. Facendo ciò, per continuare la cottura è necessario richiudere lo sportello e premere il tasto START. Se non si vuole girare il cibo, la cottura prosegue normalmente.

7. SCONGELAMENTO RAPIDO

Il forno consente anche uno scongelamento rapido.

Esempio: scongelamento veloce del pane.

1. Premere due volte il tasto SCONGELAMENTO o selezionare il simbolo sul display che mostra lo scongelamento secondo il tempo.
2. Ruotando la manopola impostare il tempo desiderato.
3. Premere il pulsante START per avviare l'operazione.

NOTA: Durante la cottura, a metà dell'ora stabilita il forno emetterà automaticamente due segnali acustici. Questo consente di ricordarsi di girare il cibo. Facendo ciò, per continuare la cottura è necessario richiudere lo sportello e premere il tasto START. Se non si vuole girare il cibo, la cottura prosegue normalmente.

8. AUTO MENU

Per il cibo nel menù automatico bisogna impostare solo il tipo e la massa / unità di cibo. Il forno aiuterà nell'impostazione della potenza e del tempo.

Esempio:

1. Premere AUTO MENÙ.
2. Premendo di nuovo il tasto AUTO MENÙ o girando la manopola, selezionare il cibo desiderato. È possibile scegliere tra i programmi A1-A8. Confermare la selezione premendo il pulsante.
3. Quindi girando la manopola selezionare all'incirca la massa / unità.
4. Premere il pulsante START per avviare l'operazione.

Menù	Massa/Unità	Potenza del microonde
A1 Riscaldamento veloce	150g	100%
	250g	
	350g	
	450g	
	600g	
A2 Liquido	1 tazza	100%
A3 Popcorn	50g	100%
	100g	
A4 Carne	150g	100%
	300g	
	450g	
	600g	
A5 Patate	230g	100%
	460g	
	690g	
A6 Verdure	150g	100%
	350g	
	500g	
A7 Pesce	150g	80%
	250g	
	350g	
	450g	
	650g	
A8 Pasta	50g (450ml di acqua)	80%
	100g (800ml di acqua)	
	150g (1200ml di acqua)	

9. COTTURA A PIU' PASSI

Il forno a microonde permette di cucinare in due fasi.

Esempio: si vuole scongelare prima la carne congelata per 10 minuti, poi la si vuole riscaldare per 5 minuti con potenza di 600W.

1. Premere due volte il tasto di SCONGELAMENTO.
2. Premere il pulsante dell'ora per impostare 00:10 minuti e confermare.
3. Premere il tasto MICROONDE.
4. Impostare la potenza a 600W usando il tasto relativo.
5. Premere il pulsante START per avviare il programma.

NOTA: la funzione di scongelamento può essere utilizzata solo nella prima fase. L'Auto menù non può avere una cottura a più fasi.

10. QUICK START

Consigli per l'uso

Questa funzione viene utilizzata per il riscaldamento rapido (microonde al 100%) o per la cottura del cibo. In modalità stand -by, premere il pulsante START e il forno inizierà a funzionare per 30 secondi. Ogni volta seguente che il pulsante START viene premuto, il tempo aumenta di 30 secondi.

NOTA: Premendo il tasto START il tempo aumenta ogni volta di 30 secondi in tutti i programmi, tranne che per la cottura automatica, per la cottura a più fasi e per l'auto scongelamento.

11. SICUREZZA BAMBINI

Questa funzione è utile per evitare l'uso incontrollato del forno da parte dei bambini. Quando il forno è bloccato sul display appare l'icona e non è possibile usare il forno.

Se si desidera bloccare il forno, premere allo stesso tempo AUTO MENÙ e ORA. Quando si sente un segnale acustico, il forno è bloccato e nel display appare l'icona di una chiave. Nello stato bloccato, tutti i tasti sono disattivati. Per sbloccare il forno, premere nuovamente AUTO MENÙ e ORA. Quando si sente il segnale acustico, il forno è sbloccato.

12. CONTO ALLA ROVESCIA DEL TEMPO

Con il conto alla rovescia del tempo si può impostare un allarme che avviserà del tempo trascorso. L'impostazione più lunga è di 95 minuti.

Esempio:

1. Premere il tasto ORA. La scritta sul display inizierà a lampeggiare.
2. Usare la manopola per impostare il tempo desiderato.
3. Confermare con il pulsante e il timer inizierà il conto alla rovescia. Un segnale acustico allo scadere del tempo avviserà del tempo scaduto.

NOTA: l'impostazione del conto alla rovescia non limita il funzionamento del forno e non funge come tempo per il forno.

13. IMPOSTAZIONE DEL SUONO DELL'ALLARME

Questa funzione consente di regolare il volume dei tasti e del suono dell'apparecchio.

Premere il tasto delle impostazioni e tenerlo premuto per circa 5 secondi. Sul display apparirà la scritta VOL. Con

la manopola impostare il volume desiderato. Premere il pulsante per confermare.

NOTA: quando l'impostazione è su OFF, il suono dei tasti non funziona, tutti gli altri suoni quali l'allarme, il conto alla rovescia, il termine del programma e la funzione di errore funzionano normalmente.

CURA DEL FORNO A MICROONDE - PULIZIA E MANUTENZIONE

1. Prima di effettuare la pulizia del forno bisogna staccare il cavo di collegamento dalla rete elettrica.
2. L'interno del forno deve essere sempre pulito. Quando i pezzi di cibo, il liquido fuoriuscito o le gocce di grasso sporcano le pareti interne del forno, bisogna pulirle subito con una spugna umida. L'uso dei detersivi abrasivi e aggressivi non è consigliabile.
3. La parte esterna del forno va pulita con una spugna umida. Per evitare i danni ai pezzi all'interno del forno, fate attenzione di non rovesciare dell'acqua nelle aperture di aerazione.
4. Non bagnate il pannello di comando. Pulirlo con una spugna morbida, umida. Per la pulizia di pannello di comando non dovete usare detersivi aggressivi, abrasivi o spray.
5. Se si accumula il vapore all'interno o all'esterno sulle superfici del forno, va asciugato con un panno morbido. Questo può succedere se usate il forno a microonde negli ambienti molto umidi e certo non è indice di malfunzionamento del forno.
6. Ogni tanto bisogna estrarre il vasoio di vetro e lavarlo. Lo si può lavare nell'acqua tiepida con l'aggiunta di detersivo per piatti o nella lavastoviglie.
7. Il cerchio e il fondo del forno all'interno del forno deve sempre essere pulito, altrimenti il funzionamento è rumoroso. Pulire il fondo del forno con una spugna umida e il detersivo oppure con il spray per vetri ed asciugare per bene. Il cerchio su cui è appoggiato il vasoio di vetro può essere lavato anche nella lavastoviglie. Dopo un'uso prolungato si possono accumulare sulle rotelline del cerchio i vapori della cottura, ma questo non incide sul funzionamento del cerchio. Quando state eliminando il cerchio dal fondo del forno, fate attenzione a rimetterlo correttamente al suo posto.

TUTELA DELL'AMBIENTE

8. Possibile odore sgradevole dal forno a microonde può essere eliminato posizionando nel forno una ciottola con dell'acqua e la buccia di limone. Accendere il forno per 5 minuti e quando si spegne pulire ed asciugare l'interno con un panno morbido.
9. Se dovete sostituire la lampadina all'interno del forno, rivolgetevi al venditore.

Per contribuire alla tutela dell'ambiente, non gettate l'apparecchio tra i rifiuti domestici quando non viene più utilizzato, ma consegnatelo a un centro di raccolta ufficiale.

SI RISERVA IL DIRITTO DI APPORTARE QUALSIASI
MODIFICA CHE NON INFLUISCE SULLE
FUNZIONALITÀ DELL'APPARECCHIO.

MONTAGGIO DEL FORNO A MICROONDE

1. Verificare se avete tolto dall'interno dello sportello tutto il materiale d' imballaggio. Non rimuovere il cartone di protezione che serve da protezione del magnetron.
2. Quando eliminate l'imballaggio verificare se ci sono danni visibili nel forno tipo:
 - sportello appeso inclinato,
 - sportello danneggiato,
 - ammaccature e buchini nel vetro dello sportello o sul display,
 - ammaccature all'interno del forno.Non usare il forno a microonde se notate qualcuno dei danni sopraindicati.
3. Il forno a microonde pesa circa 15 kg; bisogna posizionarlo sulla su una superficie dritta e forte che sosterrà questo peso.
4. Posizionare il forno lontano dai fonti di alte temperature e di umidità.
5. Non posizionare niente sotto il forno.
6. Per assicurare l'aerazione a sufficienza bisogna lasciare uno spazio ai lati del forno di almeno 20 cm e sopra il forno di almeno 30 cm.
7. Non togliere la giunzione di appoggio l'albero di trasmissione del vasoio piatto girevole.
8. Come con tutti gli altri apparecchi, l'uso da parte dei bambini deve essere sorvegliato dagli adulti.
9. La presa elettrica deve essere facilmente accessibile per consentire il rapido scollegamento dell'unità in caso di emergenza. Oppure deve essere possibile isolare il forno dall'alimentazione azionando l'apposito interruttore nell'impianto in conformità con le norme impiantistiche. Collegare l'elettrodomestico ad una presa installata monofase con corrente alternata 230 V/50 Hz mediante una presa di terra correttamente installata. **ATTENZIONE! IL PRESENTE APPARECCHIO DEVE ESSERE COLLEGATO A TERRA.** Il costruttore produttore declina qualsiasi responsabilità in caso di mancata osservanza di questa misura di sicurezza.
10. Il forno necessita di 1,5 kVA di potenza d'entrata. Consigliamo di consultarsi con un tecnico riguardo al collocamento del forno.

ATTENZIONE: Il forno possiede la propria protezione e cioè il fusibile 250 V, 10 A.

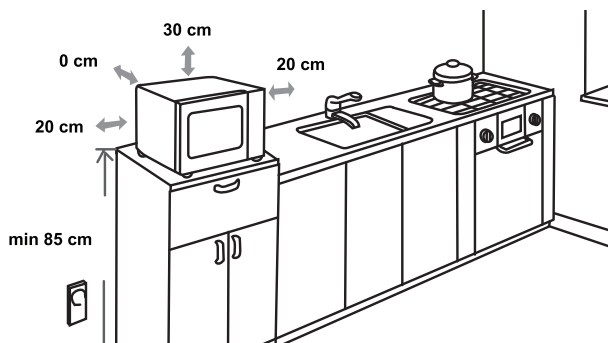
SPECIFICAZIONI

Consumo energia elettrica.....	230V-50Hz, 1450W
Potenza d'uscita.....	900W
Brucciore per grill:.....	1000W
Frequenza di funzionamento:.....	2450MHz
Misure esterne:.....	515 mm(L) X 305 mm(A) X 392 mm(P)
Volume del forno:.....	25 litri
Peso senza imballaggio.....	Circa 15 kg
Livello rumore:.....	Lc < 58 dB(A) Lc



Questo apparecchio dispone di contrassegno ai sensi della direttiva europea 2012/19/EU in materia di apparecchi elettrici ed elettronici (waste electrical and electronic equipment - WEEE). Questa direttiva definisce le norme per la raccolta e il riciclaggio degli apparecchi dimessi valide su tutto il territorio dell'Unione Europea.

POSIZIONAMENTO



INTERFERENZE RADIO

Il forno a microonde può provocare le interferenze disturbi di ricevimento agli apparecchi radio, nei Vostri apparecchi (alla televisione, radio e altri apparecchi simili). Se si verificano le interferenze, quest'ultime si possono eliminare o diminuire con i seguenti accorgimenti:

- Pulire lo sportello e le superfici delle guarnizioni del forno.
- Place the radio, TV, etc. as far away from your microwave oven as possible.
- Use a properly installed antenna for your radio, TV, etc. to get a strong signal reception.
- Posizionare la radio, TV, ecc. il più lontano possibile dal forno a microonde.
- Utilizzare un'antenna correttamente installata per la radio, TV, ecc. per ottenere un segnale forte di ricezione.

1. Se il forno non funziona affatto, se sul display non appare niente o se il display si spegne:
 - a) Verificare se il forno è collegato correttamente alla rete elettrica. Se non è così, togliete la spina dalla presa di corrente, aspettate 10 secondi e ricollegatelo di nuovo.
 - b) Verificare se si è bruciato qualche fusibile oppure si è interrotta la corrente elettrica sul fusibile generale. Se non ci sono problemi con i fusibili, verificare la presa con un'altro apparecchio elettrico.
2. Se il forno a microonde non scalda cioè non emana l'energia delle onde magnetiche:
 - a) Verificare se il timer è impostato bene.
 - b) Verificare se lo sportello è chiuso bene e se le chiusure di sicurezza sono a posto, altrimenti l'energia del microonde non si emanerà.

Se con l'aiuto dei consigli sopra indicati non avete risolto i problemi, vi dovete rivolgere al servizio d'assistenza autorizzato più vicino.

Nota: L'apparecchio è destinato all'uso domestico per riscaldare le pietanze e le bevande con l'aiuto di energia elettromagnetica. Usare l'apparecchio solo negli ambienti chiusi.

Per ulteriori informazioni o eventuali problemi, contattate il Centro Assistenza Clienti Gorenje locale (il numero di telefono è riportato nella foglio di garanzia internazionale). Qualora non fosse disponibile un Centro Assistenza Clienti locale nel vostro Paese, rivolgetevi al rivenditore autorizzato Gorenje oppure contattate il Reparto assistenza Gorenje Domestic Appliances per gli elettrodomestici.

Solo per l'uso personale!

Altri consigli per la cottura con il forno a microonde e con il grill troverete sul sito internet:

<http://www.gorenje.it>

**CI PRENDIAMO IL DIRITTO DI CAMBIAMENTI!
UTILIZZANDO IL FORNO A MICROONDE VI AUGURA
MOLTO PIACERE LA GORENJE**

gorenje

www.gorenje.com

INFINITY