



Instructions for use  
Mode d'emploi  
Anleitung  
Anvendelse

CW4176S

WS12AAKBA / WS12AIKBA

CW4976S

WS90AAKAA / WS90AIKAA

EN

Manual

EN 3 - EN 22

FR

Notice d'utilisation

FR 3 - FR 22

DE

Anleitung

DE 3 - DE 22

DA

Brugsvejledning

DA 3 - DA 22

**Pictograms used - Pictogrammes utilisés**

**Benutzte Piktogramme - Benyttede piktogrammer**



Important information - Important à savoir -  
Wissenswertes - Vigtig information



Tip - Tip - Conseil - Tips

---

# CONTENTS

---

## ***Your cooker hood***

Introduction	4
--------------	---

## ***Use***

Description	5
Operation	6
Cleaning filters	8

## ***Maintenance***

Cleaning	9
----------	---

## ***Installation***

General	12
Connection	13
Build-in dimensions	14
Assembly	15

## ***Appendix***

Disposal	22
----------	----

---

## YOUR COOKER HOOD

---

### *Introduction*

---

On reading these user manuals you will soon become familiar with the features of this appliance. Please read the appliance's safety and maintenance instructions.



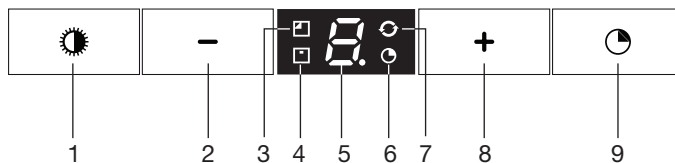
*Please retain the operating and installation instructions as these may be useful for future reference.*



**Please read the separate safety instructions prior to use.**

# USE

## Description



1. Switching on/off and dimming the lighting
2. Reducing air extraction capacity and switching off
3. Cleaning carbon filter indicator
4. Cleaning grease filter indicator
5. Display status
6. Timer function indicator
7. Clean Air function indicator
8. Switching on and increasing air extraction capacity
9. Switching on timer function



### Note!

- Prior to activating or deactivating a function, the motor and lighting should be switched off.
- If you have a cooker hood with a carbon filter, you should activate the carbon filter indicator as described in the 'Cleaning filters' paragraph.

## Operation



### Switching extraction on and off

- Press the '+' button (8).  
*The cooker hood will switch on at the lowest setting.*
- Press the '+' button (8) again to set a higher extraction setting. Press and hold the '+' button (8) for 2 seconds to select the highest setting (boost) (see switching on intensive setting).  
*The extraction setting can be set between speeds 1 to 4 or 9 (depending on the model).*
- Press the '-' button (2) to select a lower setting.  
*The extraction setting is indicated in the display (5).*
- If the extraction setting is set at 1, you can switch off the cooker hood by quickly pressing and releasing the '-' button (2).
- To switch off the cooker hood from whatever setting press and hold the '-' button (2) for at least 2 seconds.



### Alter the number of speed-settings (models with 9 speed-settings)

You can choose between 9 speed-settings (standard) or 5 speed-settings.

- Press and hold the '-' button (2) and '+' button (8) for at least 5 seconds.  
*This selects the 5 speed-setting option. Press and hold the '-' button (2) and '+' button (8) again for at least 5 seconds to select the 9 speed-setting option.*



### Switching the lighting on and off

- Quickly press and release the lighting button (1).  
*The light switches on at maximum strength.*
- Press and hold the lighting button (1) to set the lighting strength.  
*The lighting changes from maximum to minimum strength and vice versa.*

### Switch on intensive setting:

- Press and hold the '+' button (8) for approximately 2 seconds.  
*The intensive setting (setting 'P') is switched on for ten minutes (depending on the model). The display will flash (5) during this period. The original extraction setting will be reactivated after this period.*



- Quickly press and release the '+' (8) button to switch off the intensive setting.

### Switching on the timer

- Press the timer button (9).  
*The timer indicator will light up.*  
*The cooker hood will switch off automatically after 10 minutes.*
- Switch off the timer function by pressing the '-' button '2'.

If the lighting is lit its strength will be reduced automatically by 30-40% once the timer has finished.



### Note!

If the intensive setting has been selected you cannot activate the timer function.



### Clean Air function

The Clean Air function allows you to freshen the air in your kitchen for a maximum of 12 hours.

- Switch off the cooker hood.
- Press and hold the timer button (9) for approximately 4 seconds.  
*The cooker hood will switch on automatically for 10 minutes every hour at the lowest speed setting. During extraction the Clean Air indicator will flash (6).*  
*When the hood switches off after 10 minutes, the Clean Air indicator (6) will be lit continuously until the hood switches on again after 50 minutes.*
- Switch off the Clean Air function in the meantime by pressing a random button (except the one for the lighting).

## Cleaning filters

### Saturation grease and carbon filters

The filters should be replaced or cleaned when the grease filter indicator (4) or the carbon filter indicator (3) are lit.



#### Grease filter

The grease filter indicator (4) will flash after 30 operating hours.

- The grease filters should then be cleaned.
- Reset the memory by pressing and holding the '-' button (2) until the grease filter indicator (4) stops flashing.



#### Carbon filter

The carbon filter indicator (3) will flash after 120 operating hours.

- The carbon filter should then be cleaned or replaced.
- Reset the memory by simultaneously pressing and holding the '-' (2) and '+' (8) buttons until the carbon filter indicator (3) stops flashing.



#### Switching on carbon filter indicator

- Simultaneously press and hold the '+' (8) button and the lighting button (1) until the carbon filter indicator (3) flashes twice.

*The carbon filter indicator is activated.*



#### Switching off carbon filter indicator

- Simultaneously press and hold the '+' (8) button and the lighting button (1) until the carbon filter indicator (3) flashes once.

The carbon filter indicator is switched on:

- The carbon filter indicator (3) lights up for 3 seconds.

The carbon filter indicator is switched off:

- The carbon filter indicator (3) flashes for 3 seconds.



### Cleaning



#### **Important!**

For all maintenance first switch off the mains power to the cooker hood by pulling the plug out of the socket or by turning off the home's master switch. The hood needs to be cleaned regularly, both inside as well as outside (at least in the same frequency as the grease filter cleaning). Do not use abrasive cleaning products. **Do not use alcohol!**

#### **Important!**

If the instructions regarding cleaning the appliance or replacing the filters are not followed, this can cause a fire. These instructions should be followed! The manufacturer is not liable for damage to the hood or fire damage resulting from incompetent maintenance or from non-adherence to the above safety instructions.

#### **Cooker hood**

Clean the cooker hood with soapy water and a soft cloth. Then wash off with clean water. Do not use aggressive cleaning agents such as caustic soda. The cooker hood finish stays in good condition if it is buffed periodically following the application of wax.

#### **Stainless steel cooker hoods**

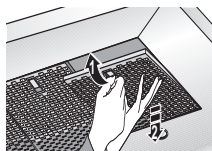


Do not use scouring pads or other abrasive cleaners on stainless steel cooker hoods. Finish with a non-abrasive, non-polishing agent and buff the stainless steel in the direction of the grain.

#### **Metal grease filters**

Metal grease filters should be cleaned once a month (or when indicated by the filter cleaning indicator – if present on the model) using a neutral cleaning agent, either by hand or in the dishwasher on a short, low-temperature program. Place the grease filters with the openings facing downwards in the dishwasher so the water can drain out of the filter. Aluminium grease filters become dull as a result of dishwasher cleaning agents. This is normal and does not effect the working.

## MAINTENANCE



### Removing cassette filter

- 1 Switch off the motor and lighting.
- 2 Open the access hatch.
- 3 Remove the filter from the hood.

### Cleaning

The filters can be cleaned in the dishwasher. Allow the filters to drain well before replacing.

The filters can also be cleaned by hand.

Clean the filters in soapy water with washing up liquid and rinse.

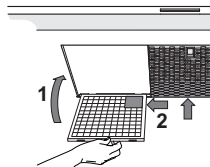
Allow the filters to drain well. The underside of the cooker hood can be cleaned with a mild cleaning agent and a damp cloth. Dry off with kitchen paper or a dry tea towel.

### Replacing cassette filter

The filter should be placed with the locking mechanism on the side. Open the filter access hatch. The notches at the side of the filter will then slot in. Hold the access hatch in this position when placing the filters.

- 1 Slot the notches at the back of the filter in the specially designed opening to the side of the cooker hood.
- 2 Tilt the filter upwards.
- 3 Release the filter access hatch. The notches at the back of the filter will extend outwards and slot into the specially designed openings of the cooker hood.

*The filter is now in position again.*

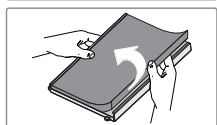
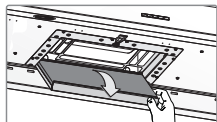
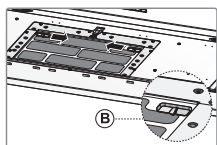


### **Please note!**

*Replace the grease filters in their original assembled position (see figure).*

*Positioning the grease filters correctly ensures the most efficient extraction.*

## MAINTENANCE



### Active carbon filters:

The regenerable active carbon filter must be washed by hand with neutral cleaning products, or in the dishwasher at a maximum temperature of 65 °C (the washing should be done without any plates, dishes, cups, etc. in the machine).

Remove the excess water without damaging the filter, remove the holder and let the filter dry in the oven for at least 15 minutes at a maximum temperature of 100 °C.

To keep the regenerable carbon filter efficient, this action should be repeated every 2 months or when indicated by the filter indicator.

The filter must be replaced after no more than 3 years, or if it has been damaged.



**It is important that the grease filters and the regenerable active carbon filter are thoroughly dry before repositioning.**

### Replacing the carbon filter:

The grease filters should first be removed before replacing the carbon filter.

- Press the two 'B' buttons on the carbon filter inwards.
- Tilt the carbon filter downwards to remove it.



### Operation:

- Using a carbon filter creates more sound than when using the cooker hood with an outlet.
- The carbon filter's operation is optimal at a lower motor speed. You should, therefore, avoid using the boost function.



### Attention!

This hood is fitted with LED bulbs! These have to be replaced by a specialized technician. Do not attempt to replace LED bulbs yourself.

---

# INSTALLATION

---

## *General*

---

This appliance should be connected to the mains power by a registered installer, who knows and applies the correct safety specifications.

We hereby declare that our products satisfy the applicable European directives, orders and regulations, as well as the requirements stated in the referenced standards.

### **Important information:**

- The distance between the lowest point of the cooker hood and a gas hob should be at least 65 cm. With an electric, ceramic or induction hob this distance should be at least 55 cm.
- Follow the applicable local regulations regarding the ventilation of gas appliances.
- The cooker hood will work better with a short outlet pipe and the fewest bends possible.
- Prior to drilling check that there are no pipes or cables present.
- The cooker hood connection pipe is 120 mm, 125 mm or 150 mm in diameter. Use the largest possible (150 mm) flue of the same diameter.
- The installation material provided with this cooker hood is suitable for reinforced concrete and brick walls. You will need special plugs and screws for certain walls.

---

## INSTALLATION

---

### Connection

#### **Electrical connection**

This is an insulation class II (double insulated) appliance. The cable does not need to be connected to an earthed socket.

Check whether the voltage mentioned on the type plate corresponds with the voltage of the domestic electric installation.

Connection to the mains power should be carried out as follows:

BROWN= **L** phase

BLUE = **N** zero.

Each cooker hood is equipped with a connection plug. Install the cooker hood in such a way that the plug is accessible.

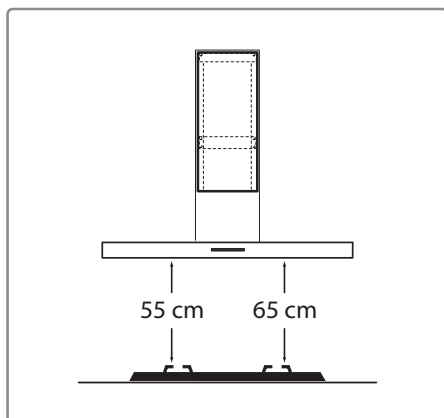


#### **Please note!**

If you want to make a fixed connection, make sure that an omnipolar switch with a contact separation of at least 3 mm is fitted in the supply line.

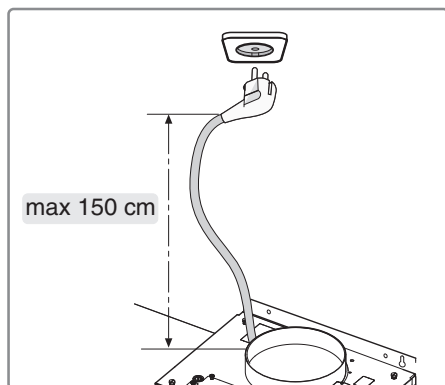
## INSTALLATION

### *Build-in dimensions*



### **Installation height:**

The minimum distance between a gas hob's pan supports and the lower edge of the hood should be 65 cm. For use with an electric, ceramic or induction hob this distance should be at least 55 cm.

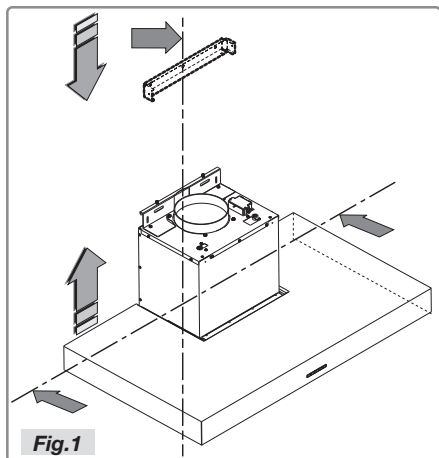


# INSTALLATION

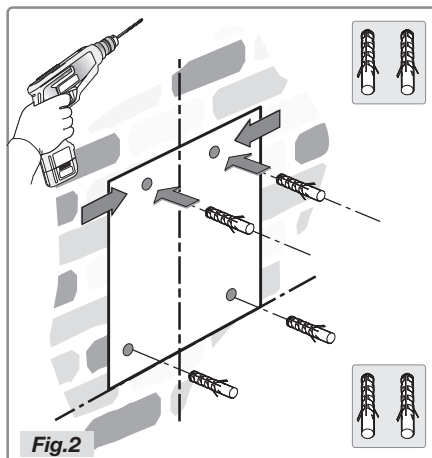
## Assembly



It is best that two people install this cooker hood.

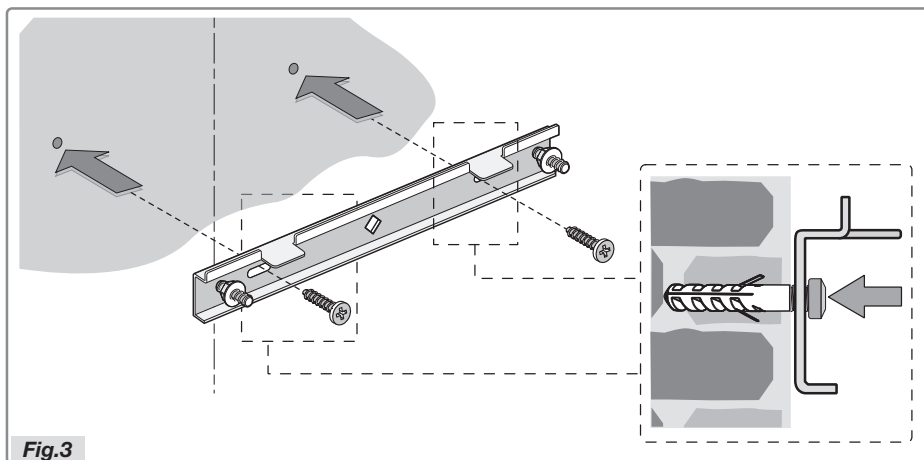


- Fig. 1**
- Outline the underside of the hood on the wall, taking into account the minimum distance between the hood and the hob.



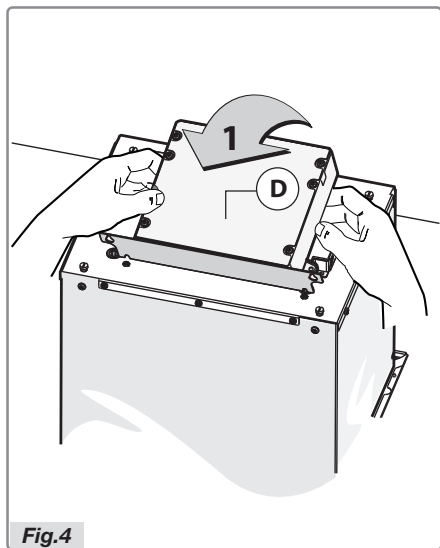
- Fig. 2**
- Place the template on the wall and ensure that the line corresponds to the line previously drawn on the wall. Mark the position of the holes and drill these (Fig. 2).

# INSTALLATION



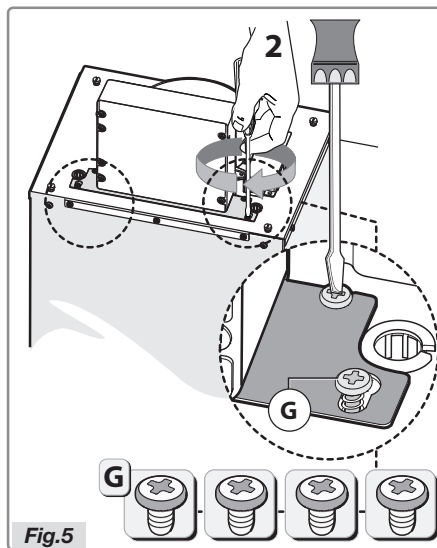
**Fig.3**

- Place the bracket against the wall and secure with the two screws (supplied). For assembly, screws and expansion plugs should be used that are suitable for the wall type (for example reinforced concrete, plasterboard, etc.). If screws and plugs are supplied with the hood, make sure in advance that these are suitable for the wall on which the hood is to be installed.



**Fig.4**

- To install the cooker hood fit the electric unit upright (Fig.4).



**Fig.5**

- Secure the bracket with the four screws **G**, as indicated in Figure 5.



## INSTALLATION

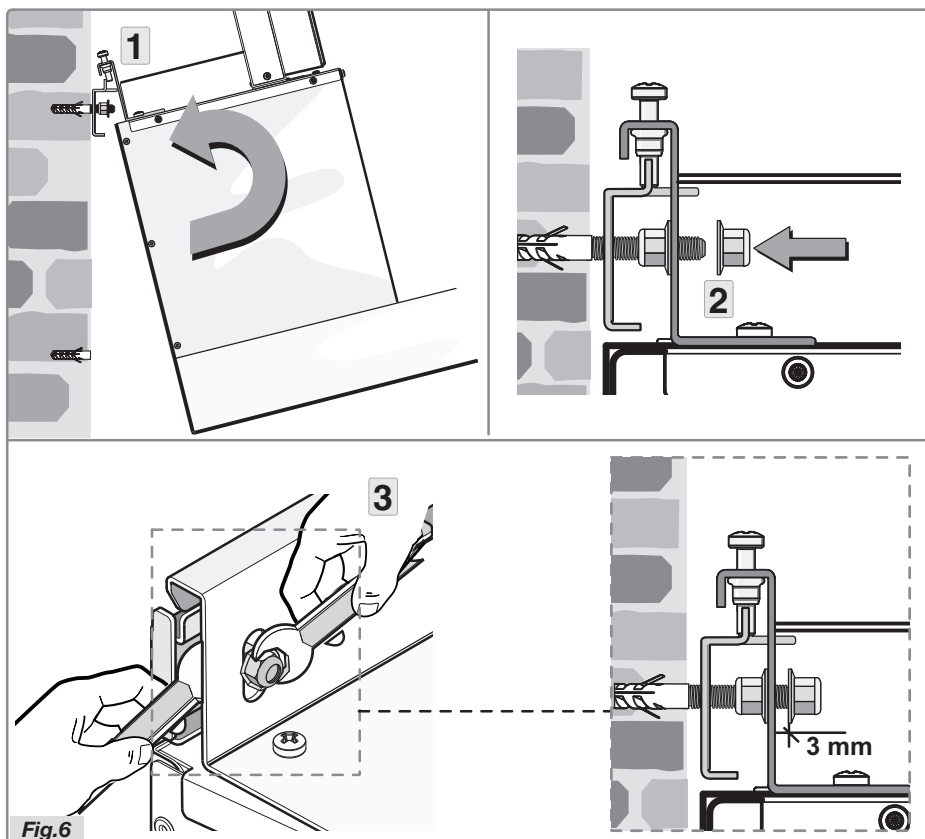
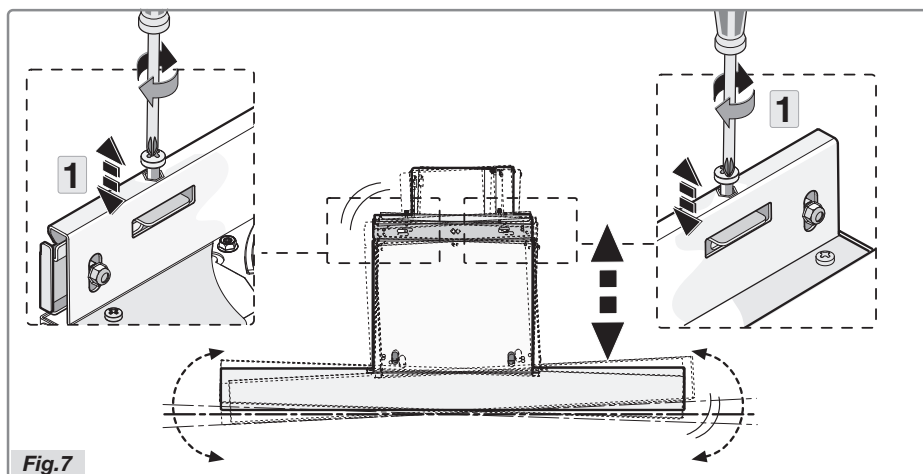


Fig.6

- Tilt the hood slightly and hook it securely to the bracket, as illustrated (Fig.6 step 1).
- Position the cooker hood and secure it to the bracket by applying the nut to the screw (Fig.6 step 2).
- Hold an appropriate spanner in one hand and use a second spanner in the other hand to counter the nut (Fig.6 step 3). The distance between the nut and the bracket should be at least 3 mm.

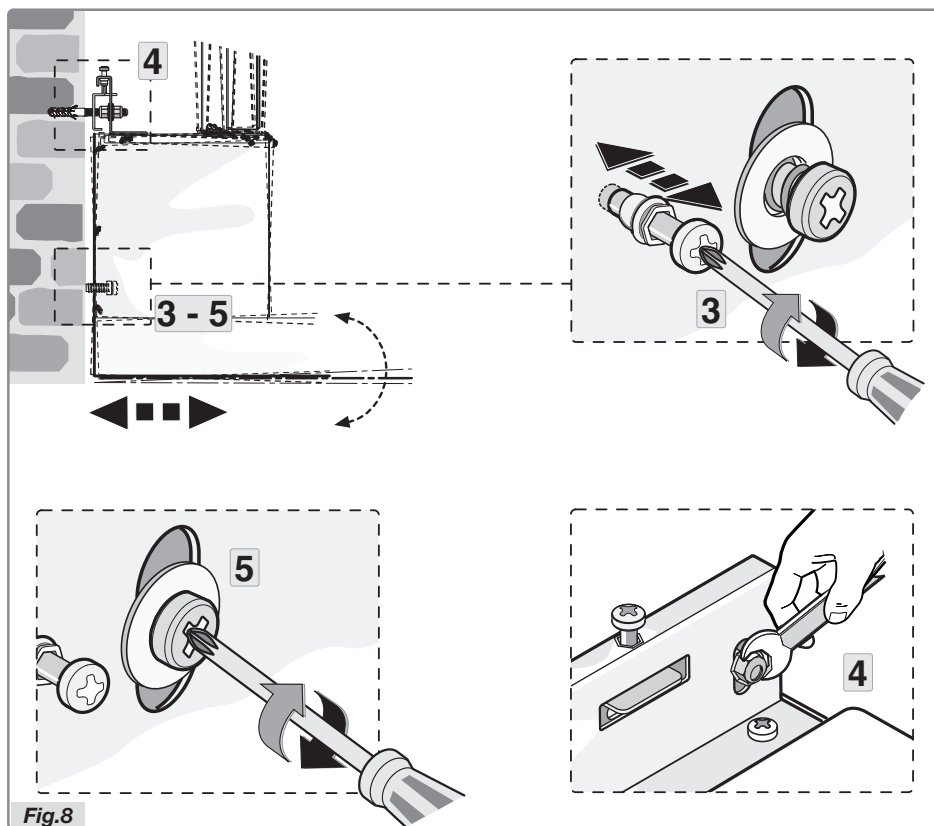
## INSTALLATION



**Fig.7**

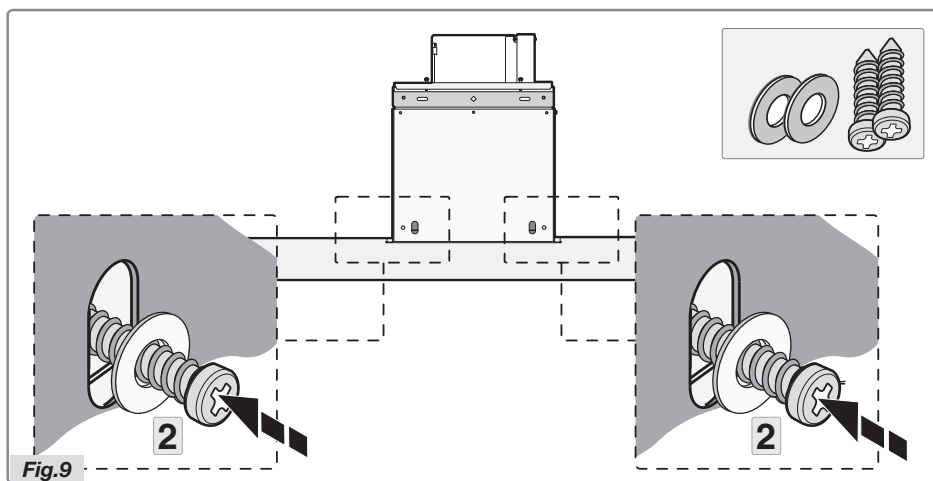
- Align the cooker hood horizontally using the two levelling screws (Figure 7 step 1).

## INSTALLATION



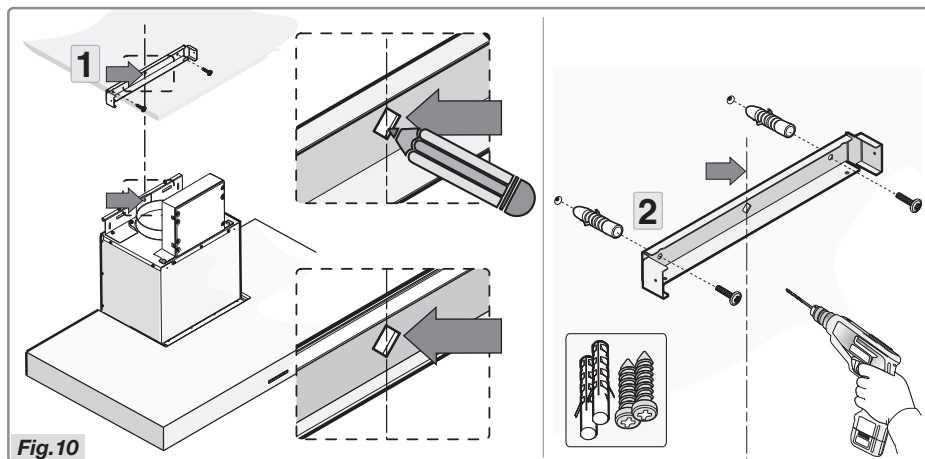
- Align the cooker hood vertically using the two set screws in the motor housing (Fig. 8 step 3).
- After levelling the hood, you should secure the screws completely as indicated in Figure 8 step 4, and do the same with the safety screws (Fig. 8 step 5).

## INSTALLATION

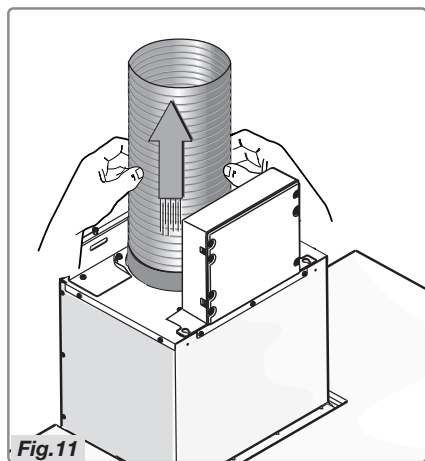


- Secure the cooker hood definitively with the two supplied screws and rings (Figure 9 step 2).

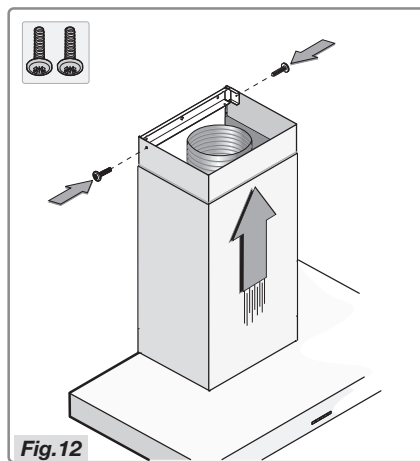
# INSTALLATION



- Position the bracket referring to the sizes in Figure 1 and secure this with the supplied screws and plugs (Fig.10).



- Connect the flange to the air outlet using a tube (Fig.11).



- Place the top shaft in the bottom shaft and put this on the hood's casing. Slide the top shaft against the bracket and secure this with the two screws (Fig.12).

## *Disposal*

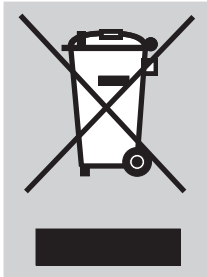
### **Disposal of packaging and appliance**

Sustainable materials have been used during manufacture of this appliance. This appliance must be disposed of responsibly at the end of its service life. Ask your local authorities for more information about how to do this.

The appliance packaging is recyclable. The following materials may have been used:

- cardboard;
- polyethylene film (PE);
- CFC-free polystyrene (PS-rigid foam);

Dispose of these materials in a responsible manner and in accordance with government regulations.



The product has been marked with a crossed-out dustbin symbol to remind you of the obligation to dispose of electrical household appliances separately. This means that the appliance may not be included with normal domestic refuse at the end of its service life. The appliance must be taken to a special municipal centre for separated waste collection or to a dealer providing this service.

Separate processing of household appliances prevents the potentially negative consequences for the environment and health that can arise as a result of inappropriate processing. It ensures that the materials of which the appliance is composed can be recovered to obtain significant savings in energy and raw materials.

---

# SOMMAIRE

---

## ***Votre hotte aspirante***

Introduction	4
--------------	---

## ***Utilisation***

Description	5
Commandes	6
Nettoyage et remplacement des filtres	8

## ***Entretien***

Nettoyage	9
-----------	---

## ***Installation***

Généralités	12
Raccordement électrique	13
Dimensions d'encastrement	14
Montage	15

## ***Annexe***

Mise au rebut	22
---------------	----

---

# VOTRE HOTTE ASPIRANTE

---

## *Introduction*

---

Après avoir lu cette notice d'utilisation, vous apprendrez rapidement à maîtriser toutes les possibilités de cet appareil. Lisez les consignes de sécurité et les instructions d'entretien de l'appareil.



*Conservez les instructions pour l'installation et l'utilisation de l'appareil. Elles pourront vous servir de référence dans l'avenir.*

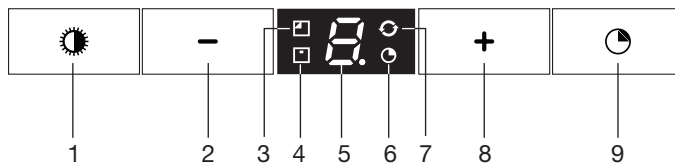


**Avant l'utilisation, lisez les consignes de sécurité séparées.**



# UTILISATION

## Description



1. Touche Éclairage - Marche/Arrêt et réduction de l'intensité
2. Touche Arrêt et Réduction de la vitesse
3. Témoin de saturation du filtre au charbon
4. Témoin de saturation des filtres à graisse
5. Affichage des réglages
6. Témoin de la fonction minuterie
7. Témoin de la fonction 'Air propre' [Clean Air]
8. Touche Marche et Augmentation de la vitesse d'aspiration
9. Touche Minuterie

### Attention !



- Avant qu'une fonction soit activée ou désactivée, le moteur et la lampe doivent être éteints.
- Si vous avez acheté une hotte avec filtre au charbon, vous devez activer le témoin de saturation du filtre au charbon tel que mentionné au paragraphe 'Nettoyage des filtres'.

## Commandes



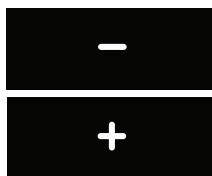
### Activer et désactiver l'aspiration

- Appuyez sur la touche '+' (8).  
*La hotte aspirante se met en marche à la puissance la plus basse.*
- Appuyez à nouveau sur la touche '+' (8) pour augmenter la vitesse d'aspiration. Effleurez la touche '+' (8) pendant 2 secondes pour choisir directement la vitesse Turbo (voir enclencher la vitesse Turbo).  
*La vitesse d'aspiration se règle entre 1 et 4 ou 9 (en fonction du modèle).*
- Appuyez sur la touche '-' (2) pour choisir une vitesse inférieure.  
*La vitesse d'aspiration apparaît à l'écran (5).*
- Si la vitesse d'aspiration est réglée sur 1, appuyez brièvement sur la touche '-' (2) pour éteindre la hotte.
- Appuyez pendant au moins 2 secondes sur la touche '-' (2) pour éteindre la hotte, quelle que soit la vitesse d'aspiration.

### Modifier le nombre de vitesses disponibles (modèles à 9 vitesses)

Vous pouvez choisir entre 9 vitesses (standard) ou 5 vitesses.

- Appuyez simultanément pendant au moins 5 secondes sur la touche '-' (2) et la touche '+' (8).  
*Le fonctionnement à 5 vitesses est sélectionné. Appuyez à nouveau pendant au moins 5 secondes sur la touche '-' (2) et la touche '+' (8) pour sélectionner le fonctionnement à 9 vitesses.*



### Allumage et extinction de l'éclairage

- Appuyez brièvement sur la touche de l'éclairage (1).  
*L'éclairage s'allume alors à sa puissance maximum.*
- Maintenez votre doigt sur la touche de l'éclairage (1) pour régler l'intensité de la lumière.  
*La lumière passe de l'intensité maximum à l'intensité minimum.*



### Enclencher la vitesse d'aspiration Turbo :

## UTILISATION



- Appuyez environ 2 secondes sur la touche '+' (8).  
*La vitesse Turbo (réglage 'P') est enclenchée pendant dix minutes (en fonction du modèle). Pendant cette période, l'affichage clignote (5). Après cette période, la vitesse d'aspiration réglée initialement est réactivée.*
- Pour désactiver la vitesse Turbo, effleurez brièvement la touche '+' (8).

### Activation de la minuterie



- Appuyez sur la touche minuterie (9).  
*Le témoin de la minuterie s'allume  
La hotte s'arrête automatiquement après 10 minutes.*
- Pour désactiver la fonction minuterie, appuyez encore une fois sur la touche minuterie (9) ou arrêtez la hotte à l'aide de la touche '-' (2). L'écran indique la vitesse enclenchée et le temps restant.

Si la lumière est allumée, son intensité est automatiquement réduite de 30-40% lorsque la minuterie s'arrête.



### Attention !

Lorsque la vitesse Turbo est sélectionnée, il n'est pas possible d'activer la fonction minuterie.

### Fonction Air propre [Clean Air]

La fonction Air propre [Clean Air] vous permet de renouveler l'air dans la cuisine pendant une durée maximum de 12 heures.



- Éteignez la hotte.
- Appuyez sur la touche minuterie (9) pendant environ 4 secondes.  
*La hotte fonctionne automatiquement pendant 10 minutes toutes les heures, à la vitesse la plus basse. Pendant l'aspiration, le témoin Clean air (6) clignote.  
Quand, après 10 minutes, la hotte s'arrête, le témoin Clean air (6) reste allumé jusqu'à ce que la hotte se remette en marche au bout de 50 minutes.*
- Pour désactiver la fonction Air propre, appuyez, durant l'intermède, sur n'importe quelle touche (sauf la touche de l'éclairage).

## Nettoyage des filtres

### Saturation des filtres à graisse et des filtres au charbon

Quand le témoin du filtre à graisse (4) ou du filtre au charbon (3) est allumé, cela signifie que les filtres doivent être remplacés ou nettoyés.



#### Filtre à graisse

Après 30 heures de fonctionnement, le témoin (4) du filtre à graisse se met à clignoter.

- Dans ce cas, nettoyez les filtres à graisse.
- Réinitialisez la mémoire en appuyant sans interruption sur la touche '-' (2), jusqu'à ce que le témoin (4) du filtre à graisse cesse de clignoter.



#### Filtre au charbon

Après 120 heures de fonctionnement, le témoin (3) du filtre au charbon se met à clignoter.

- Nettoyez ou remplacez le filtre au charbon.
- Réinitialisez la mémoire en appuyant en même temps sans interruption sur les touches '-' (2) et '+' (8), jusqu'à ce que le témoin (3) du filtre au charbon cesse de clignoter.



#### Activer le témoin de saturation du filtre au charbon

- Appuyez en même temps sans interruption sur la touche '+' (8) et la touche Éclairage (1) jusqu'à ce que le témoin (3) du filtre au charbon clignote deux fois.

*Le témoin du filtre au charbon est activé.*



#### Désactiver le témoin de saturation du filtre au charbon

- Appuyez en même temps sans interruption sur la touche '+' (8) et la touche Éclairage (1) jusqu'à ce que le témoin (3) du filtre au charbon clignote une fois.

Si le témoin de saturation du filtre au charbon est activé :

- Le témoin du filtre au charbon (3) reste allumé pendant 3 secondes.

Si le témoin de saturation du filtre au charbon est désactivé :

- Le témoin du filtre au charbon (3) clignote pendant 3 secondes.

### Nettoyage



#### Attention !

Avant tout entretien, déconnectez l'alimentation électrique de la hotte, soit en débranchant la fiche, soit en coupant le courant au niveau du disjoncteur. La hotte doit être nettoyée régulièrement, tant à l'intérieur qu'à l'extérieur (au moins aussi souvent que les filtres à graisse).

N'utilisez aucun produit abrasif. **N'utilisez pas d'alcool !**

#### Attention !

Si vous ne respectez pas les instructions concernant le nettoyage de l'appareil ou le nettoyage ou remplacement des filtres, vous risquez un incendie. Respectez scrupuleusement ces instructions ! Le fabricant décline toute responsabilité en cas de dommages à la hotte ou d'incendie qui résulteraient d'un mauvais entretien ou du non respect des consignes de sécurité.

#### Hotte aspirante

Nettoyez la hotte à l'eau savonneuse, avec un chiffon doux.

Rincez à l'eau claire. N'utilisez pas de produits d'entretien agressifs comme la soude caustique. La laque de votre hotte restera rutilante si vous la lustrez de temps en temps.



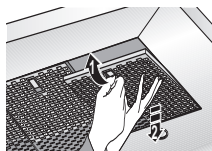
#### Hottes en inox

Les hottes en inox ne doivent pas être nettoyées au moyen d'éponges métalliques ni de produits récurants ou abrasifs. Utilisez un produit non récurant, non abrasif, et frottez dans le sens de la structure de l'inox.

#### Filtres à graisse en métal

Les filtres métalliques doivent être nettoyés une fois par mois (ou lorsque le témoin de saturation des filtres - si existant - l'indique) avec un détergent neutre, soit à la main, soit au lave-vaisselle, à basse température et en utilisant un programme court. Les filtres à graisse doivent être placés dans le lave-vaisselle avec les ouvertures vers le bas, afin que l'eau puisse s'en écouler. Si les filtres à graisse en aluminium sont mis au lave-vaisselle, les produits de nettoyage les ternissent. Cet effet est normal et n'a pas d'impact sur leur fonctionnement.

## ENTRETIEN



### Enlever la cassette-filtre

- 7 Coupez le moteur et éteignez la lumière.
- 2 Ouvrez la fermeture/la sûreté.
- 3 Retirez le filtre de la hotte.

### Nettoyage

Vous pouvez nettoyer les filtres au lave-vaisselle. Faites égoutter convenablement les filtres avant de les remettre en place.

Vous pouvez également nettoyer les filtres à la main.

Nettoyez les filtres à l'eau savonneuse, puis rincez-les. Faites égoutter convenablement les filtres. Pour nettoyer la partie inférieure de la hotte, utilisez un chiffon humide imprégné d'un détergent doux. Essuyez-la ensuite avec du papier essuie-tout ou un chiffon sec.

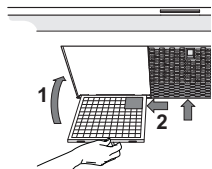
### Remettre en place la cassette-filtre

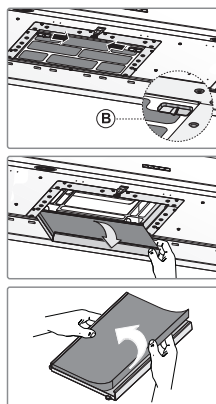
Placez le filtre dans la hotte avec le dispositif de fermeture sur le côté. Ouvrez le dispositif de fermeture. De cette façon, les ergots latéraux du filtre sont situés vers l'intérieur. En plaçant les filtres, maintenez le dispositif de fermeture dans cette position.

- 1 Placez les ergots à l'arrière du filtre, dans les ouvertures latérales de la hotte prévues à cet effet.
- 2 Faites basculer le filtre vers le haut.
- 3 Lâchez le dispositif de fermeture. Les ergots situés à l'avant du filtre sont alors tournés vers l'extérieur et s'insèrent dans les ouvertures de la hotte prévues à cet effet.  
*À présent, le filtre est à nouveau en place.*

### Attention !

*Remplacez les filtres à graisse dans leur position initiale (voir figure). Une position correcte des filtres à graisse garantit une aspiration optimale.*





### Factres au charbon actif :

Le filtre au charbon actif régénérant doit être nettoyé à la main avec des détergents neutres doux, ou au lave-vaisselle à une température maximum de 65 °C (ne pas laver de vaisselle en même temps).

Essorez le filtre sans l'endommager, enlevez le support et laissez le filtre sécher dans le four pendant au moins 15 minutes, à une température maximum de 100 °C.

Pour une action efficace du filtre au charbon régénérant à chaque utilisation, cette opération doit se répéter tous les 2 mois ou lorsque le témoin du filtre l'indique. Le filtre doit être remplacé après 3 ans au plus tard, ou lorsqu'il est endommagé.



**Il est important que les filtres à graisse et le filtre au charbon actif régénérant soient secs avant d'être remis en place.**

### Remplacement du filtre au charbon :

Pour remplacer le filtre au charbon, retirez d'abord les filtres à graisse de la hotte.

- Faites glisser les deux petites tirettes 'B' du filtre au charbon vers l'intérieur.
- Faites basculer le filtre au charbon vers le bas pour le retirer.



### Fonctionnement :

- Lorsque la hotte fonctionne en mode recyclage (avec filtre au charbon), elle est plus bruyante qu'en mode évacuation.
- L'action d'un filtre au charbon est optimale lorsque la vitesse du moteur est basse. Il est donc recommandé de ne pas utiliser la fonction Turbo.



### Attention !

Cette hotte est équipée d'ampoules LED ! Elles doivent être remplacées par un installateur qualifié. N'essayez pas de remplacer les ampoules LED vous-même.

### Généralités

Le raccordement de cet appareil au réseau électrique doit être confié à un installateur professionnel qui connaît et applique la réglementation et les normes de sécurité en vigueur.

Nous déclarons que nos produits satisfont aux directives, mesures et règlements européens en vigueur ainsi qu'aux exigences qui sont mentionnées dans les normes auxquelles il est fait référence.

#### **Important à savoir :**

- La distance entre le point le plus bas de la hotte et une table de cuisson à gaz doit être de 65 cm au minimum. Dans le cas d'une table de cuisson électrique, vitrocéramique ou à induction, la distance minimale est de 55 cm.
- Respectez les règlements locaux et nationaux applicables à la ventilation des appareils à gaz.
- Plus le tuyau d'évacuation est court et rectiligne, plus la hotte sera efficace.
- Avant de commencer à percer, vérifiez qu'aucune autre conduite ne passe à cet endroit.
- Le tuyau de raccordement de la hotte a un diamètre de 120, 125 ou 150 mm. Utilisez une gaine d'évacuation aussi large que possible (150 mm), ayant un diamètre identique.
- Le matériel d'installation livré avec cette hotte convient aux murs en béton renforcé ou en briques. Pour d'autres matériaux, vous aurez besoin de chevilles et vis spéciales.



### Raccordement électrique

#### **Branchement électrique**

Cet appareil appartient à la classe d'isolation II (double isolation).

Il n'est donc pas nécessaire de brancher le cordon sur une prise mise à la terre.

Vérifiez que la tension mentionnée sur la plaque signalétique correspond à la tension de votre réseau électrique.

Le raccordement au réseau électrique doit être effectué comme suit :

MARRON = **L** = phase

BLEU = **N** = neutre

Cette hotte d'aspiration est équipée d'un cordon secteur avec fiche. La hotte doit être installée de telle sorte que la prise reste accessible.

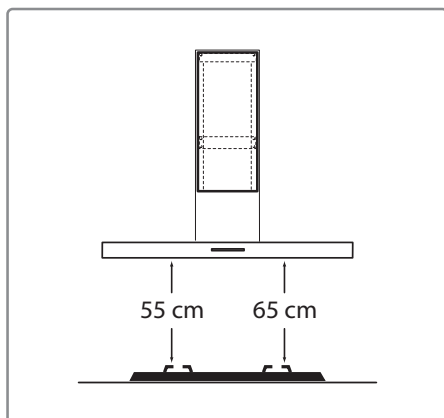


#### **Attention :**

Si vous décidez de réaliser une connexion électrique permanente, la ligne alimentant l'appareil devra comporter un coupe-circuit omnipolaire dont les contacts en position ouverte sont séparés par une distance de 3 mm au moins.

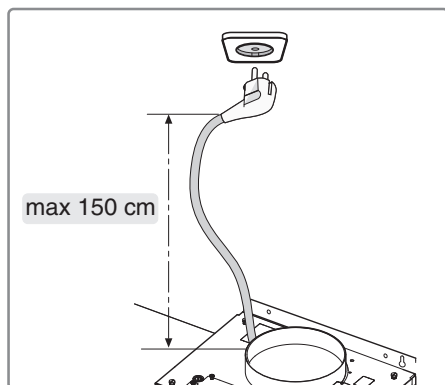
## INSTALLATION

### *Dimensions d'encastrement*



#### **Hauteur de fixation :**

La distance minimum entre les supports de casseroles de la cuisinière à gaz et le bord inférieur de la hotte est de 65 cm. Dans le cas d'une cuisinière électrique, vitrocéramique ou à induction, la distance minimale est de 55 cm.



# INSTALLATION

## Montage



Il est recommandé de faire installer cette hotte par deux personnes.

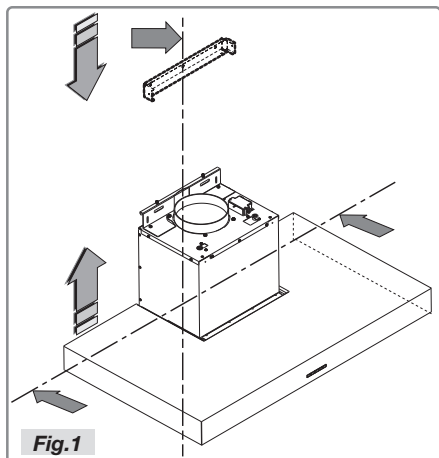


Fig.1

- Tracez sur le mur une ligne indiquant la position du bord inférieur de la hotte, en tenant compte de la distance minimale entre la hotte et la cuisinière.

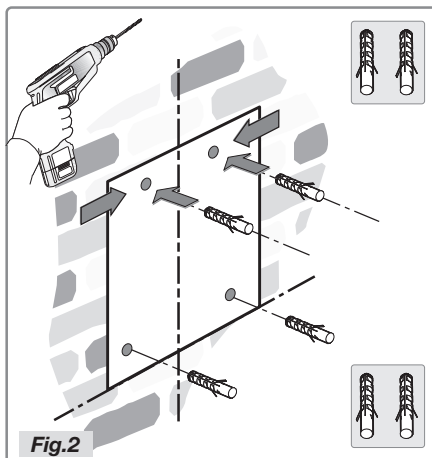
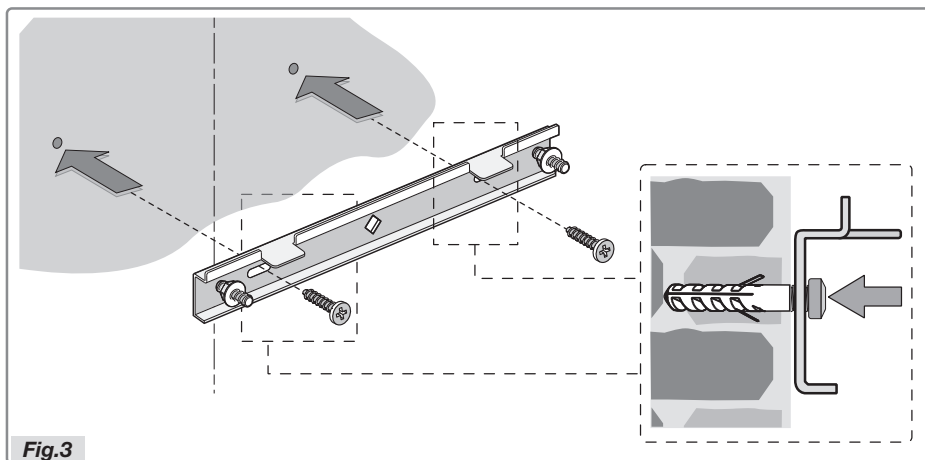


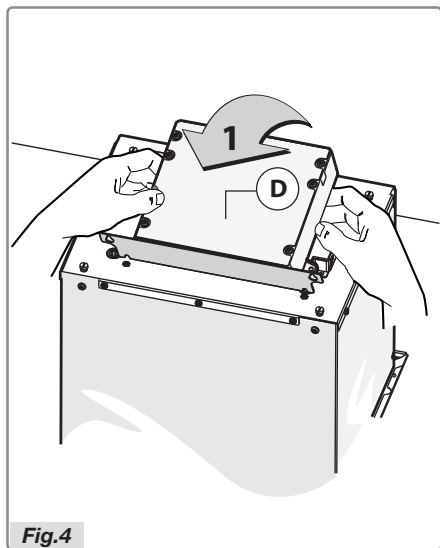
Fig.2

- Placez le gabarit sur le mur en l'alignant sur la marque tracée précédemment. Dessinez la position des trous et percez-les (Fig.2).

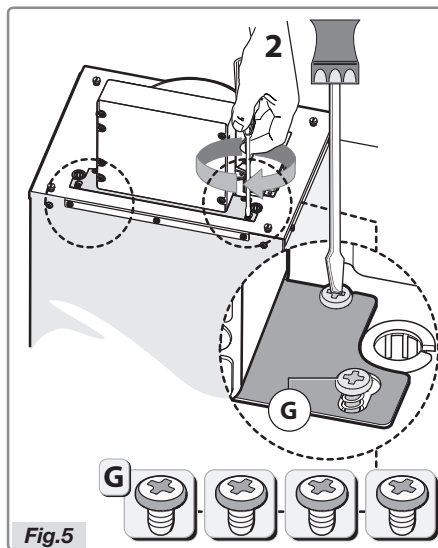
# INSTALLATION



- Placez l'élément de fixation contre la paroi et fixez-le avec les deux vis (livrées avec l'appareil). Pour l'installation, utilisez des vis et chevilles adaptées au type de paroi (par ex.: béton armé, plaque de plâtre, etc.). Si les vis et les chevilles sont fournies avec la hotte, assurez-vous à l'avance qu'elles sont adaptées au matériau sur lequel la hotte doit être fixée.



- Pour l'installation de la hotte, placez l'unité électrique D verticalement.



- Assemblez l'élément de fixation avec les quatre vis G, comme indiqué à la figure 5.

## INSTALLATION

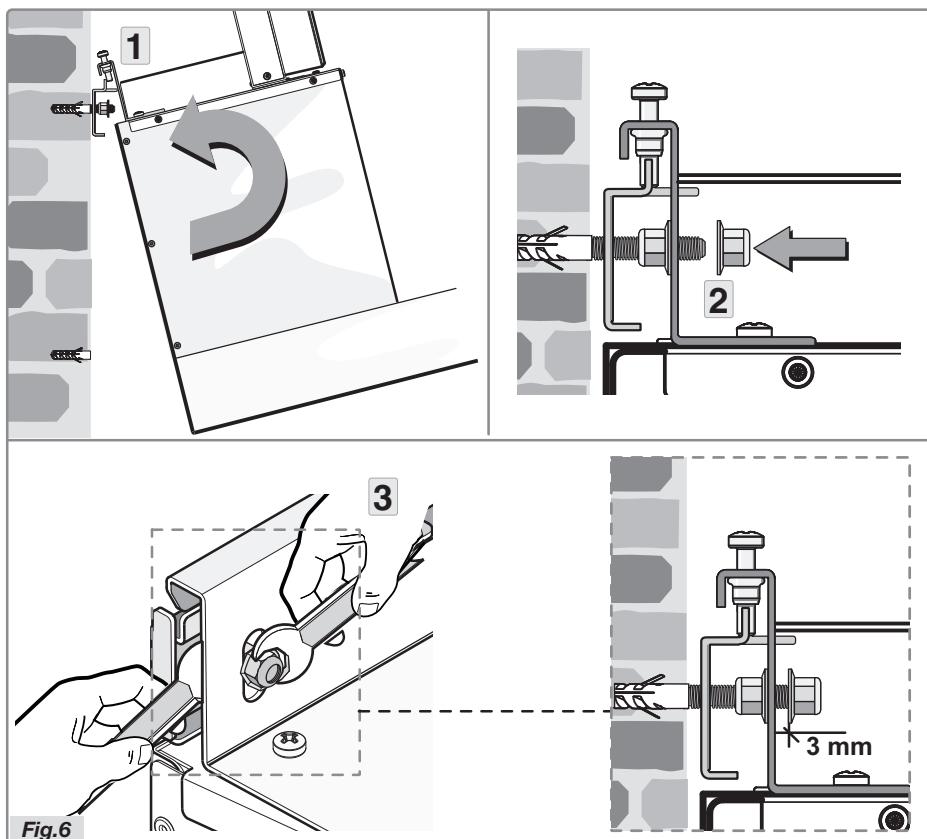
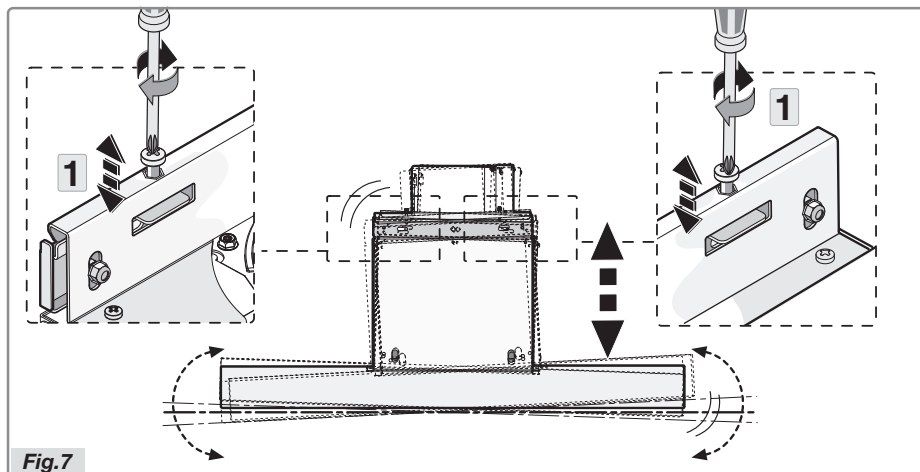


Fig.6

- Faites basculer légèrement la hotte et accrochez-la à l'élément de fixation, comme indiqué (Fig.6, étape 1).
- Positionnez la hotte et assemblez-la à l'élément de fixation en vissant l'écrou sur la vis sans tête (Fig.6 étape 2).
- Tenez une clé à molette appropriée dans une main pour maintenir le contre-écrou en place et, de l'autre main, tournez l'écrou dans l'autre sens avec une deuxième clé (Fig.6 étape 3). La

## INSTALLATION



distance entre l'écrou et l'élément de fixation doit être d'au moins 3 mm.

- Positionnez la hotte à l'horizontale en tournant les vis de nivellement (figure 7 étape 1.).

## INSTALLATION

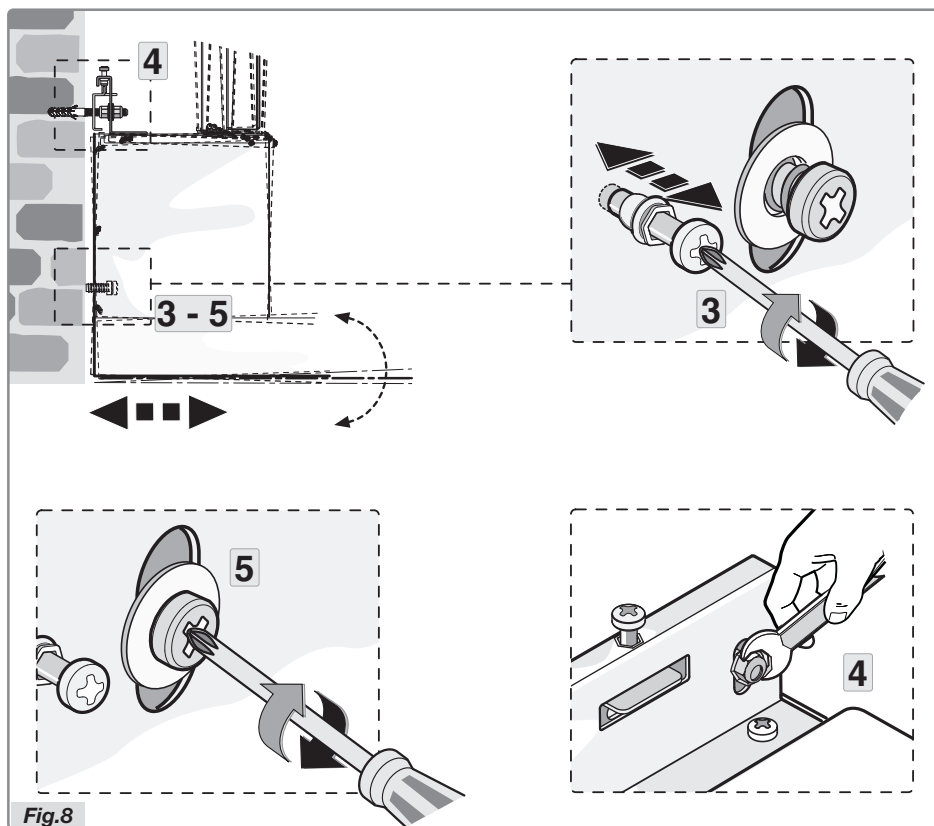
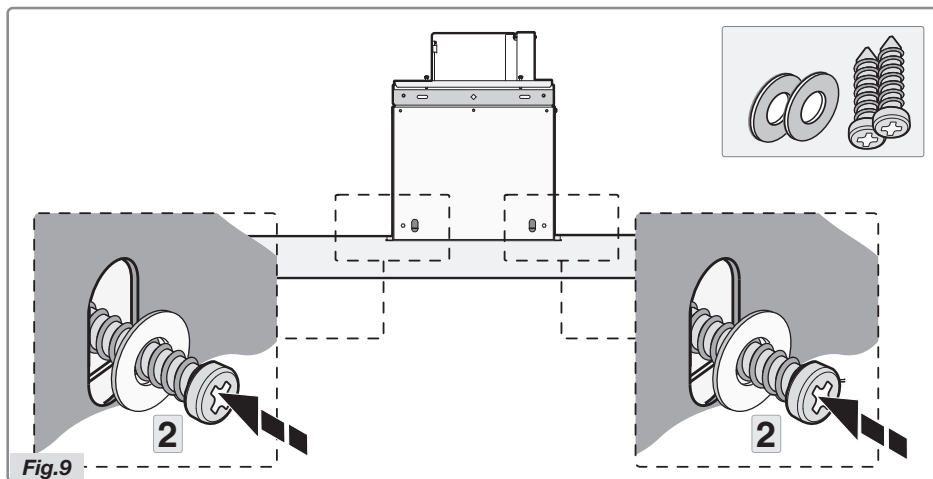


Fig.8

- Positionnez la hotte bien à la verticale en tournant les deux vis de réglage se trouvant sur le boîtier du moteur (Fig. 8 étape 3).
- Après avoir mis la hotte à niveau dans le sens horizontal et le sens vertical, serrez les écrous à fond, tel qu'indiqué à la figure 8 étape 4, et répétez l'opération avec les vis de sécurité (Fig. 8 étape 5).

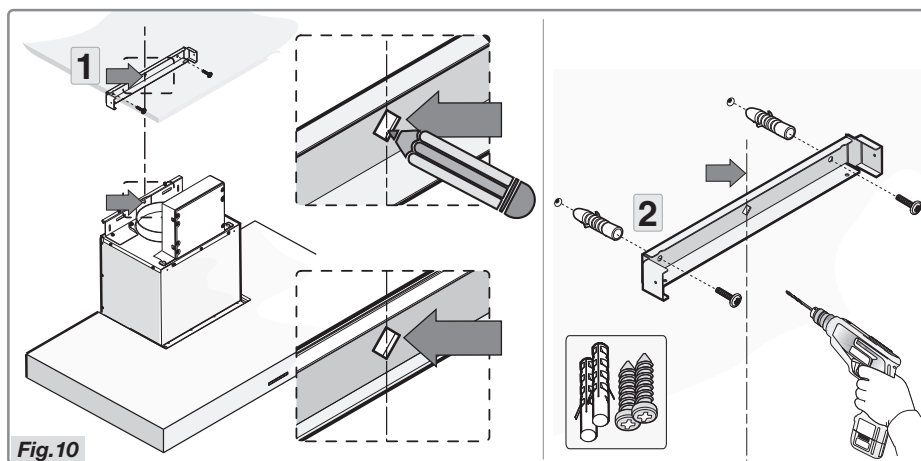
## INSTALLATION



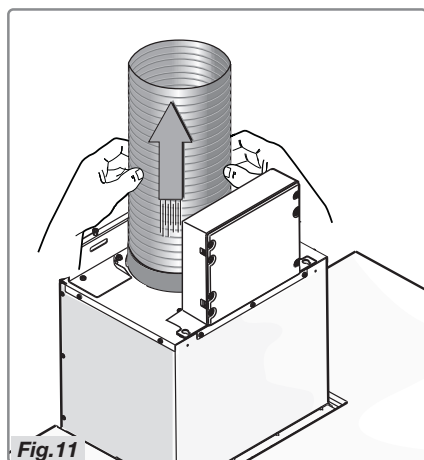
- Fixez définitivement la hotte en utilisant les deux vis et les deux rondelles fournies avec l'appareil (figure 9 étape 2).



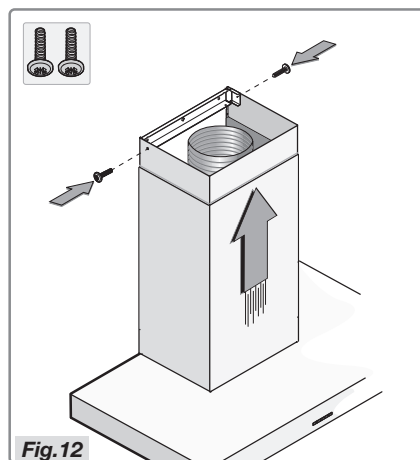
## INSTALLATION



- Positionnez l'élément de fixation en tenant compte des dimensions indiquées à la figure 1 et mettez-le en place au moyen des vis et chevilles fournies avec l'appareil (Fig.10).



- Fixez la gaine d'évacuation à la bride de raccordement (Fig.11).



- Insérez la partie supérieure de la cheminée dans la partie inférieure et placez l'ensemble sur la carrosserie de la hotte. Faites glisser la partie supérieure jusqu'à ce qu'elle se trouve contre l'élément de fixation et assemblez-la avec les deux vis (Fig.12).

### Mise au rebut

#### **Que faire de l'emballage et de l'appareil utilisé**

Des matériaux durables ont été utilisés pour la fabrication de cet appareil. Il doit être mis au rebut de façon appropriée à la fin de son cycle de vie. Les pouvoirs publics peuvent vous fournir des informations à ce sujet.

L'emballage de l'appareil est recyclable. Peuvent être utilisés :

- carton ;
- feuille de polyéthylène (PE) ;
- polystyrène exempt de CFC (mousse rigide PS).

Ces matériaux doivent être mis au rebut de façon appropriée et conformément aux dispositions réglementaires.



Le symbole de la poubelle barrée figure sur le produit ou sur son emballage en application de la directive européenne 2002/96/CE sur les Déchets d'Équipement Électrique et Électronique (DEEE). Cette directive sert de règlement cadre à la reprise, au recyclage et à la valorisation des appareils ménagers usagés dans toute l'Europe. Ce produit ne peut donc pas être jeté avec les ordures ménagères, mais doit faire l'objet d'une collecte sélective. Lorsque vous ne l'utiliserez plus, remettez-le à un service de ramassage spécialisé ou à une déchèterie - municipale ou privée - qui traite les DEEE.

La collecte sélective des appareils électroménagers évite d'aggraver l'impact négatif des déchets sur l'environnement et la santé publique. Leur traitement permet de recycler les matériaux utilisés pour les fabriquer, ce qui représente des économies considérables en termes de matières premières et d'énergie.

---

# INHALT

---

## Ihre abzugshaube

Einführung	4
------------	---

## Gebrauch

Beschreibung	5
Bedienung	6
Filter reinigen	8

## Pflege

Reinigung	9
-----------	---

## Installation

Allgemeines	12
Anschluss	13
Einbaumaße	14
Montage	15

## Anlage

Entsorgen	22
-----------	----

---

## IHRE ABZUGSHAUBE

---

### Einführung

Nachdem Sie diese Bedienungsanleitung gelesen haben, werden Sie rasch mit allen Möglichkeiten des Geräts vertraut sein. Lesen Sie die Sicherheitsvorschriften und die Pflegeanweisungen für das Gerät.



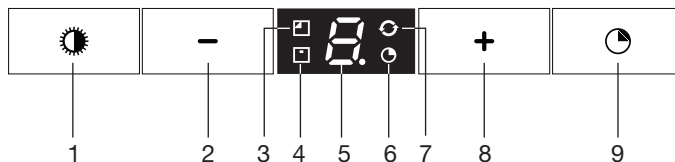
*Bewahren Sie die Installations- und Gebrauchsanleitung auf. Diese Informationen können Ihnen später eventuell nochmals von Nutzen sein.*



**Lesen Sie vor dem Gebrauch zunächst die separaten Sicherheitsanweisungen.**

# GEBRAUCH

## Beschreibung



1. Ein-/ausschalten und dimmen der Beleuchtung
2. Ausschalten und verringern der Absaugkapazität
3. Anzeige „Kohlefilter reinigen“
4. Anzeige „Fettfilter reinigen“
5. Displaystatus
6. Anzeige Timerfunktion
7. Anzeige „Clean-Air“-Funktion
8. Einschalten und erhöhen der Absaugkapazität
9. Timerfunktion einschalten

### **Achtung!**



- Bevor eine Funktion aktiviert oder deaktiviert wird, müssen der Motor und die Beleuchtung ausgeschaltet sein.
- Wenn Sie eine Abzugshaube mit Kohlefilter besitzen, müssen Sie die Kohlefilteranzeige aktivieren, wie im Abschnitt „Filter reinigen“ beschrieben.

## Bedienung



### Abzug ein- und ausschalten

- Betätigen Sie die „+“-Taste (8).  
*Die Abzugshaube ist eingeschaltet und beginnt auf der niedrigsten Stufe.*
- Betätigen Sie nochmals die „+“-Taste (8), um eine höhere Absaugstufe einzustellen. Halten Sie die „+“-Taste (8) 2 Sekunden lang gedrückt, um direkt die höchste Stufe (Boost) zu wählen (siehe Intensivstufe einschalten).  
*Der Absaugstand kann (je nach Modell) auf Position 1 bis 4 oder Position 1 bis 9 eingestellt werden.*
- Betätigen Sie die „-“-Taste (2), um eine niedrigere Stufe zu wählen.  
*Auf dem Display (5) wird die Absaugstufe angezeigt.*
- Wenn die Absaugkapazität auf Stufe 1 eingestellt ist, schalten Sie mit einem kurzen Druck auf die „-“-Taste (2) die Abzugshaube aus.
- Halten Sie die „-“-Taste (2) mindestens 2 Sekunden lang gedrückt, um die Abzugshaube unabhängig von der Absaugstufe auszuschalten.



### Geschwindigkeitsanzahl ändern (bei Modellen mit 9 Geschwindigkeiten)

Sie können sich entscheiden zwischen 9 Geschwindigkeiten (Standardausführung) und 5 Geschwindigkeiten.

- Halten Sie die „-“-Taste (2) und die „+“-Taste (8) mindestens 5 Sekunden lang gedrückt.  
*Die Bedienung mit 5 Geschwindigkeiten wurde ausgewählt. Drücken Sie die „-“-Taste (2) und die „+“-Taste (8) nochmals mindestens 5 Sekunden lang, um die Bedienung mit 9 Geschwindigkeiten auszuwählen.*



### Beleuchtung ein- und ausschalten

- Drücken Sie kurz auf die Beleuchtungstaste (1).  
*Die Beleuchtung wird auf der höchsten Stufe eingeschaltet.*
- Halten Sie die Beleuchtungstaste (1) gedrückt, um die Beleuchtungsstärke einzustellen.  
*Die Beleuchtung wechselt von der Höchststufe zur niedrigsten und*

umgekehrt.



### Intensivstufe einschalten:

- Drücken Sie ca. 2 Sekunden lang auf die „+“-Taste (8).  
*Die Intensivstufe (Stufe „P“) bleibt (je nach Modell) zehn Minuten lang eingeschaltet. Während dieser Zeit blinkt das Display (5). Anschließend wird die ursprünglich eingestellte Absaugstufe wieder aktiviert.*
- Schalten Sie die Intensivstufe aus, indem Sie kurz auf die „+“-Taste (8) drücken.



### Timer einschalten

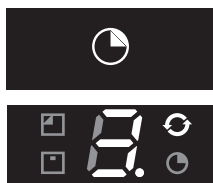
- Drücken Sie auf die Timertaste (9).  
*Die Timeranzeige leuchtet auf.  
Die Abzugshaube schaltet sich nach 10 Minuten automatisch aus.*
- Sie können die Timer-Funktion ausschalten, indem Sie die „-“ Taste “2” drücken.

Wenn die Beleuchtung eingeschaltet ist, wird die Intensität nach Ablauf des Timers automatisch um 30- 40 % reduziert.



### Achtung!

Wenn die Intensivstufe eingeschaltet ist, können Sie die Timerfunktion nicht aktivieren.



### Clean-Air-Funktion

Mit der Clean-Air-Funktion wird die Luft in der Küche im Laufe von 12 Stunden immer wieder erneuert.

- Schalten Sie die Abzugshaube aus.
- Drücken Sie ca. 4 Sekunden lang auf die Timertaste (9).  
*Die Abzugshaube schaltet sich automatisch einmal pro Stunde ein und läuft dann jeweils 10 Minuten lang in der niedrigsten Absaugstufe. Während des Absaugvorgangs blinkt die Clean-Air-Anzeige (6).*  
*Wenn sich die Abzugshaube nach 10 Minuten ausschaltet, leuchtet die Clean-Air-Anzeige (6) kontinuierlich, bis sich die Abzugshaube nach 50 Minuten erneut einschaltet.*
- Sie können die Clean-Air-Funktion zwischendurch ausschalten, indem Sie auf eine beliebige Taste drücken (außer auf die

Beleuchtungstaste).

## Filter reinigen



### Sättigung von Fett- und Kohlefilter

Wenn die Fettfilter-Anzeige (4) oder die Kohlefilter-Anzeige (3) leuchtet, müssen die Fettfilter ausgetauscht oder gereinigt werden.

#### Fettfilter

Nach 30 Betriebsstunden beginnt die Fettfilter-Anzeige (4) zu blinken.

- Sie müssen die Fettfilter reinigen.
- Setzen Sie den Arbeitsspeicher zurück, indem Sie die „-“-Taste (2) so lange gedrückt halten, bis die Fettfilter-Anzeige (4) nicht mehr blinkt.



#### Kohlefilter

Nach 120 Betriebsstunden beginnt die Kohlefilter-Anzeige (3) zu blinken.

- Sie müssen den Kohlefilter reinigen oder austauschen.
- Setzen Sie den Arbeitsspeicher zurück, indem Sie gleichzeitig die „-“-Taste (2) und die „+“-Taste (8) so lange gedrückt halten, bis die Kohlefilter-Anzeige (3) nicht mehr blinkt.



#### Kohlefilter-Anzeige einschalten

- Halten Sie gleichzeitig die „+“ Taste (8) und die Beleuchtungstaste (1) so lange gedrückt, bis die Kohlefilter-Anzeige (3) zweimal blinkt.  
*Die Kohlefilter-Anzeige ist aktiviert.*

#### Kohlefilter-Anzeige ausschalten

- Halten Sie gleichzeitig die „+“ Taste (8) und die Beleuchtungstaste (1) so lange gedrückt, bis die Kohlefilter-Anzeige (3) einmal blinkt.

Kohlefilter-Anzeige ist eingeschaltet:

- Die Kohlefilter-Anzeige (3) leuchtet 3 Sekunden lang auf.

Kohlefilter-Anzeige ist ausgeschaltet:

- Die Kohlefilter-Anzeige (3) blinkt 3 Sekunden lang.



### Reinigung



#### **Vorsicht!**

Trennen Sie die Abzugshaube vor jeder Reinigung vom Stromnetz, indem Sie den Stecker aus der Steckdose ziehen oder den Hauptschalter der Wohnung ausschalten. Die Abzugshaube muss regelmäßig gereinigt werden, sowohl innen als auch außen (mindestens mit derselben Regelmäßigkeit, mit der die Fettfilter gereinigt werden). Verwenden Sie keine Produkte, die Scheuermittel beinhalten.

**Verwenden Sie keinen Alkohol!**

#### **Vorsicht!**

Wenn Sie die Anweisungen zur Reinigung des Geräts und zur Reinigung oder zum Austausch der Filter nicht befolgen, kann das einen Brand verursachen. Befolgen Sie Anweisungen unbedingt! Der Hersteller ist nicht haftbar für Schäden an der Abzugshaube oder Brandschäden, die aufgrund von unsachgemäßer Pflege oder Nichtbefolgung oben genannter Sicherheitsvorschriften entstanden sind.

#### **Abzugshaube**

Reinigen Sie die Abzugshaube mit Seifenlauge und einem weichen Tuch.

Danach mit sauberem Wasser nachbehandeln. Verwenden Sie keine aggressiven Reinigungsmittel wie beispielsweise Natriumkarbonat. Der Lack der Abzugshaube behält seinen Glanz, wenn Sie ihn ab und zu mit Wachs einreiben.

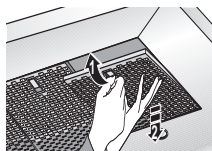
#### **Dunstabzugshauben aus Edelstahl**

Behandeln Sie Dunstabzugshauben aus Edelstahl nicht mit Scheuerschwämmen oder sonstigen Scheuermitteln. Behandeln Sie die Abzugshaube nach der Reinigung mit einem nicht scheuernden, nicht polierenden Mittel und reiben Sie dabei in Richtung der Struktur des Edelstahls.



#### **Fettfilter aus Metall**

Filter aus Metall müssen einmal monatlich (bei Modellen mit Filter-Reinigungsanzeige wenn das Display die Reinigung anzeigt) mit neutralen Reinigungsmitteln gereinigt werden. Entweder manuell oder bei niedrigen Temperaturen und einem kurzen Programm in der Geschirrspülmaschine. Legen Sie die Fettfilter mit den Öffnungen nach unten in die Geschirrspülmaschine, damit das Wasser herauslaufen kann. Fettfilter aus Aluminium werden durch die Reinigungsmittel im Spülwasser matt. Dies ist normal und beeinträchtigt die Funktion nicht.



### Filterkassette entnehmen

- 1 Schalten Sie den Motor und die Beleuchtung aus.
- 2 Öffnen Sie den Verschluss.
- 3 Entfernen Sie den Filter aus der Abzugshaube.

### Reinigung

Sie können die Filter in der Geschirrspülmaschine reinigen. Lassen Sie die Filter gut abtropfen, bevor Sie diese wieder einsetzen.

Die Filter können auch manuell gereinigt werden.

Reinigen Sie die Filter in einer Lauge mit Abwaschmittel und spülen Sie sie nachher ab. Lassen Sie die Filter gut abtropfen. Die Unterseite der Abzugshaube kann mit einem milden Reinigungsmittel und einem feuchten Tuch gereinigt werden. Trocknen Sie die Abzugshaube mit Küchenpapier oder einem trockenen Tuch.

### Filterkassette wieder einsetzen

Der Filter muss mit dem Verschlussmechanismus seitlich eingesetzt werden. Öffnen Sie den Verschlussmechanismus. Die Nocken an den Seiten des Filters fallen dadurch nach innen. Halten Sie beim Einsetzen des Filters den Verschlussmechanismus in dieser Position.

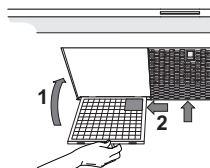
- 1 Führen Sie die Nocken an der Rückseite des Filters in die dafür vorgesehenen Öffnungen an der Seite der Abzugshaube ein.
- 2 Kippen Sie den Filter nach oben.
- 3 Lassen Sie den Verschlussmechanismus los. Die Nocken an der Vorderseite des Filters treten aus dem Gerät und fallen in die dafür vorgesehenen Öffnungen der Abzugshaube.

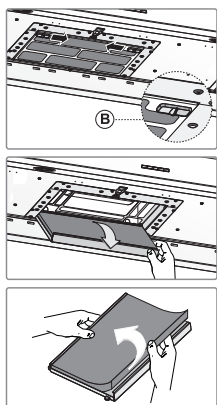
*Der Filter befindet sich jetzt wieder an seinem Platz.*

### Achtung!

Setzen Sie die Fettfilter in dieselbe Position ein, in der sie ursprünglich montiert waren (siehe Abbildung).

Die korrekte Positionierung der Fettfilter garantiert eine effiziente Absaugung.





### **Aktivkohlefilter:**

Der regenerative Aktivkohlefilter muss mit neutralen Reinigungsmitteln von Hand gewaschen oder in der Geschirrspülmaschine bei einer Höchsttemperatur von 65 °C (ohne Geschirr) gereinigt werden.

Beseitigen Sie überschüssiges Wasser, ohne den Filter zu beschädigen, entfernen Sie den Halter und lassen Sie den Filter im Ofen bei einer Höchsttemperatur von 100 °C mindestens 15 Minuten lang trocknen. Um eine dauerhaft effiziente Leistung des regenerativen Aktivkohlefilters zu gewährleisten, muss die Reinigung entweder alle 2 Monate oder bei Indikation der Filteranzeige durchgeführt werden. Die Filter müssen spätestens nach 3 Jahren oder bei Beschädigung umgehend ausgetauscht werden.



**Es ist wichtig, dass der Fettfilter und der regenerative Aktivkohlefilter vollkommen trocken sind, bevor sie erneut eingesetzt werden.**

### **Austausch des Kohlefilters:**

Um den Kohlefilter auszutauschen, müssen zunächst die Fettfilter entfernt werden.

- Drücken Sie die zwei Tasten „B“ des Kohlefilters nach innen.
- Kippen Sie den Kohlefilter nach unten, um diesen zu entfernen.



### **Die Arbeitsweise:**

- Die Verwendung eines Kohlefilters verursacht mehr Lärm als der Gebrauch einer Abzugshaube mit Abzugsrohr.
- Der Kohlefilter funktioniert optimal bei niedriger Motorgeschwindigkeit. Vermeiden Sie deshalb die Boost-Funktion.



### **Achtung!**

Diese Haube ist mit LED-Lampen ausgestattet! Diese müssen von einem spezialisierten Techniker ausgetauscht werden. Versuchen Sie daher bitte nicht, die LED-Lampen selbst auszutauschen.

## *Allgemeines*

---

Das Gerät muss von einem anerkannten Monteur an das Stromnetz angeschlossen werden, der mit den geltenden Sicherheitsvorschriften vertraut ist und diese anwendet.

Wir erklären, dass unsere Produkte die anwendbaren europäischen Richtlinien, Beschlüsse und Verordnungen, sowie die Anforderungen, die in den angeführten Normen genannt werden, erfüllt.

### **Wichtige Information:**

- Der Abstand zwischen dem niedrigsten Punkt der Abzugshaube und einem Gaskochfeld muss mindestens 65 cm betragen. Bei einem elektrischen, keramischen oder Induktionskochfeld muss dieser Abstand mindestens 55 cm betragen.
- Beachten Sie die örtlich geltenden Vorschriften für die Belüftung von Gasgeräten.
- Je kürzer und je gerader das Abzugsrohr, desto besser funktioniert die Abzugshaube.
- Kontrollieren Sie vor dem Bohren, ob keine Installationsleitung(en) vorhanden ist (sind).
- Das Anschlussrohr der Abzugshaube hat einen Durchmesser von 120, 125 oder 150 mm. Verwenden Sie ein möglichst großes (150 mm) Schornsteinrohr mit dem selben Durchmesser.
- Das Installationsmaterial, das dieser Abzugshaube beiliegt, ist für Wände aus verstärktem Beton und Backstein geeignet. Für bestimmte Wände benötigen Sie spezielle Dübel und Schrauben.

## Anschluss

### **Elektroanschluss**

Dies ist ein Gerät der (Isolations-)Klasse II (doppelt isoliert).  
Das Stromkabel muss daher nicht an eine geerdete Steckdose angeschlossen werden.

Kontrollieren Sie, ob die auf dem Typenschild angegebene Spannung mit der Spannung der Hausinstallation übereinstimmt.

Der Anschluss an das Stromnetz muss folgendermaßen durchgeführt werden:

BRAUN = **L** Phase

BLAU = **N** Nullleiter

Diese Abzugshaube ist mit einem Anschlussstecker ausgerüstet.  
Installieren Sie die Abzugshaube so, dass der Stecker zugänglich ist.

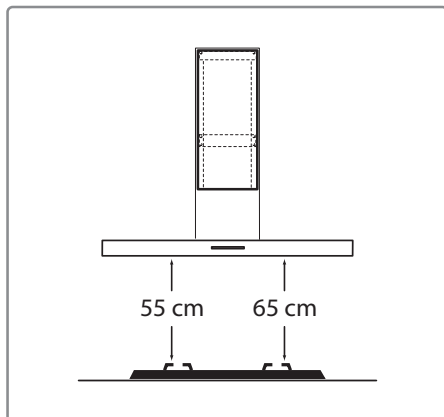


### **Achtung:**

Wenn Sie einen festen Anschluss installieren, müssen Sie dafür sorgen, dass ein allpoliger Schalter mit einer Kontaktöffnung von mindestens 3 mm in der Zufuhrleitung installiert wird.

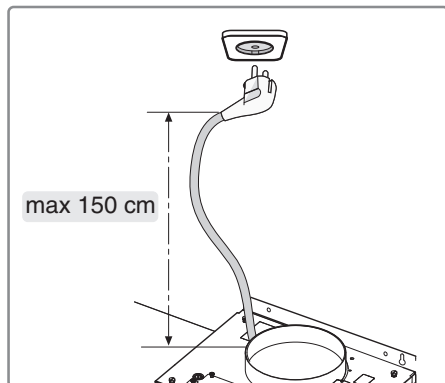
# INSTALLATION

## Einbaumaße



### Aufhänghöhe:

Der Mindestabstand zwischen den Topfaufsätzen des Gasherdes und der Unterkante der Abzugshaube beträgt 65 cm. Für die Verwendung mit einem elektrischen, keramischen oder Induktionskochfeld muss dieser Abstand mindestens 55 cm betragen.



# INSTALLATION

## Montage



Dieses Produkt kann am besten von zwei Personen installiert werden.

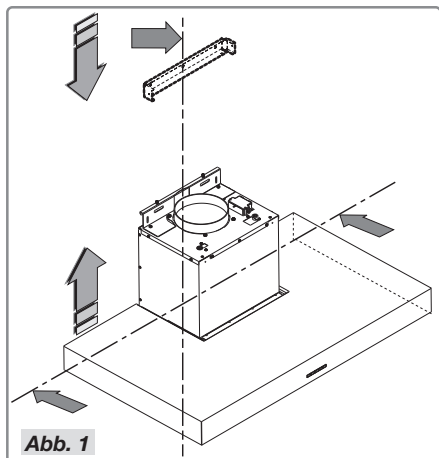


Abb. 1

- Zeichnen Sie die Unterseite der Abzugshaube auf der Wand ab, berücksichtigen Sie dabei den Mindestabstand zwischen der Abzugshaube und dem Herd.

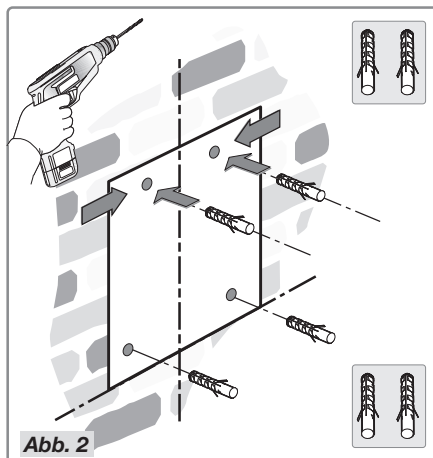


Abb. 2

- Halten Sie die Schablone gegen die Wand und sorgen Sie dafür, dass ihr Umriss mit dem vorher auf die Wand gezeichneten Umriss übereinstimmt. Zeichnen Sie die Position der Bohrlöcher ein und bohren Sie die Löcher (Abb. 2).

# INSTALLATION

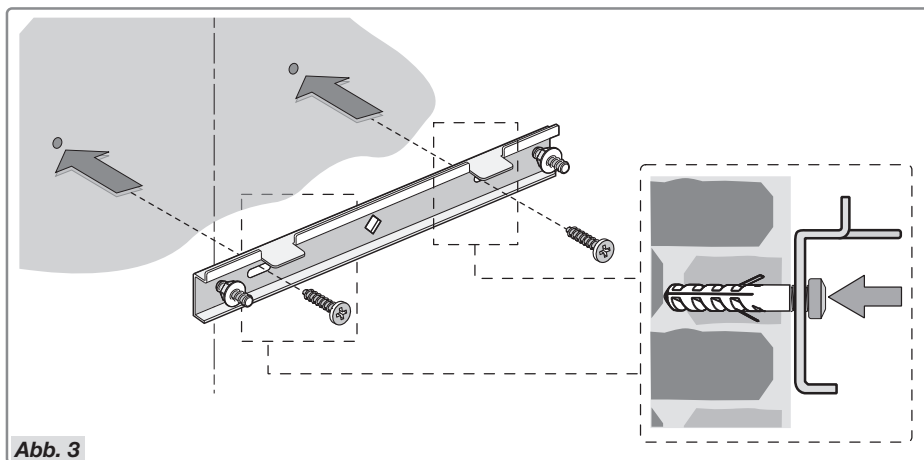


Abb. 3

- Halten Sie die Halterung gegen die Wand und befestigen Sie diese mit den 2 (mitgelieferten) Schrauben. Für die Montage werden Schrauben und Spreizdübel verwendet, die für die Wand selbst geeignet sind (z.B. Stahlbeton, Leichtbauplatten usw.). Falls die Schrauben und Dübel im Lieferumfang der Abzugshaube enthalten sind, vergewissern Sie sich vorab, dass sie für die Wand geeignet sind, an der Sie die Abzugshaube anbringen möchten.

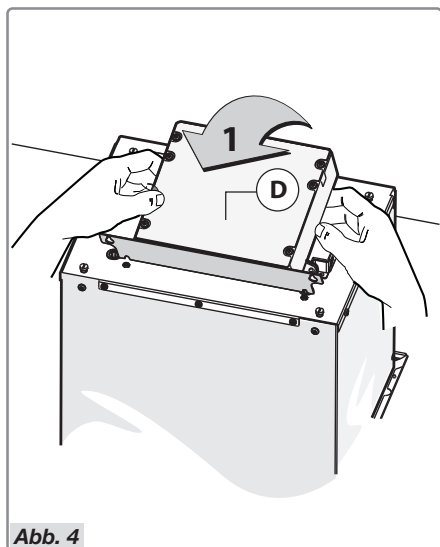


Abb. 4

- Bringen Sie vor der Installation der Abzugshaube die Elektroeinheit in eine aufrechte Position (Abb. 4).

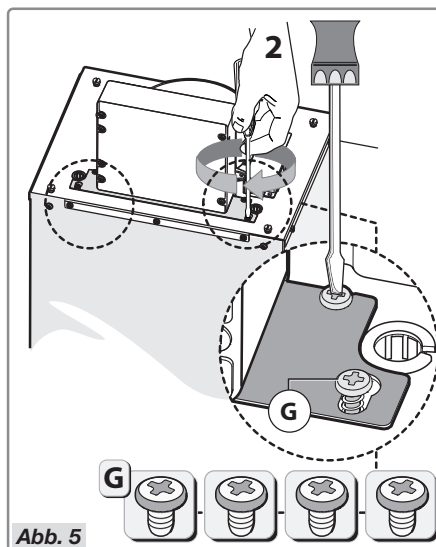


Abb. 5

- Befestigen Sie die Halterung mit den 4 Schrauben **G**, wie in Abbildung 5 dargestellt.



## INSTALLATION

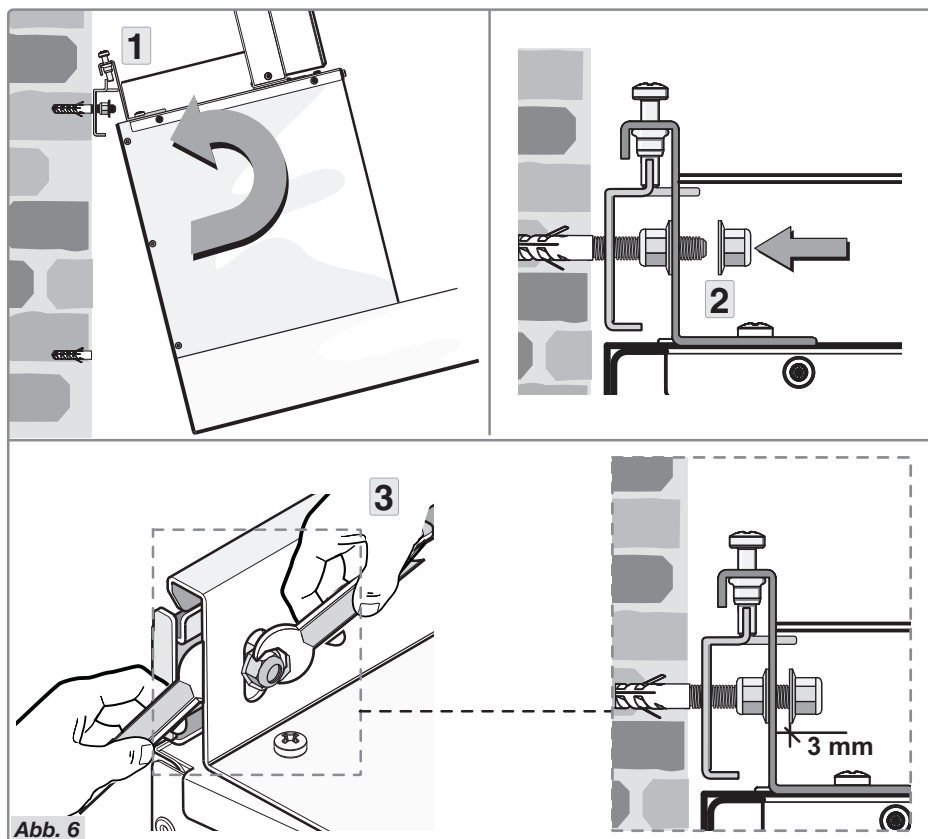
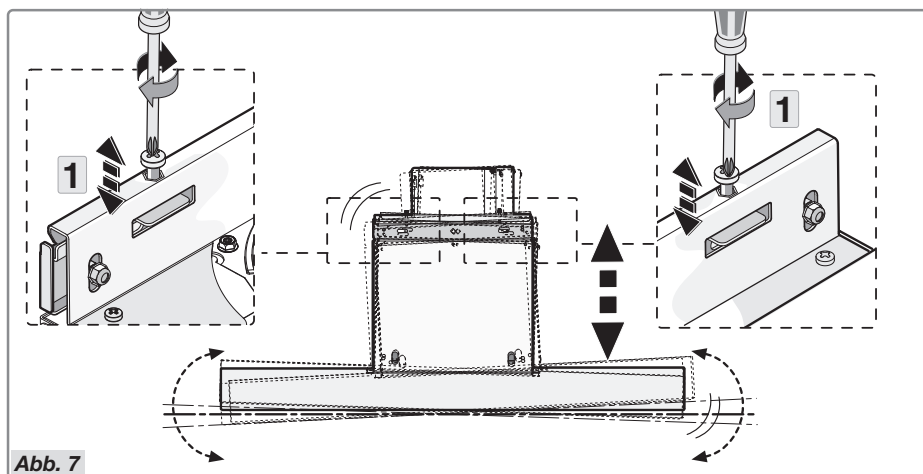


Abb. 6

- Kippen Sie die Abzugshaube ein wenig und haken Sie sie wie abgebildet an der Halterung fest (Abb. 6 Schritt 1).
- Positionieren Sie die Abzugshaube und befestigen Sie diese an der Halterung, indem Sie die Mutter auf die Schraube drehen (Abb. 6 Schritt 2).
- Benutzen Sie zu diesem Zweck einen passenden Schraubenschlüssel und fixieren Sie die Mutter mit einem zweiten Schraubenschlüssel (Abb. 6 Schritt 3). Der Abstand zwischen Mutter und Halterung beträgt mindestens 3 mm.

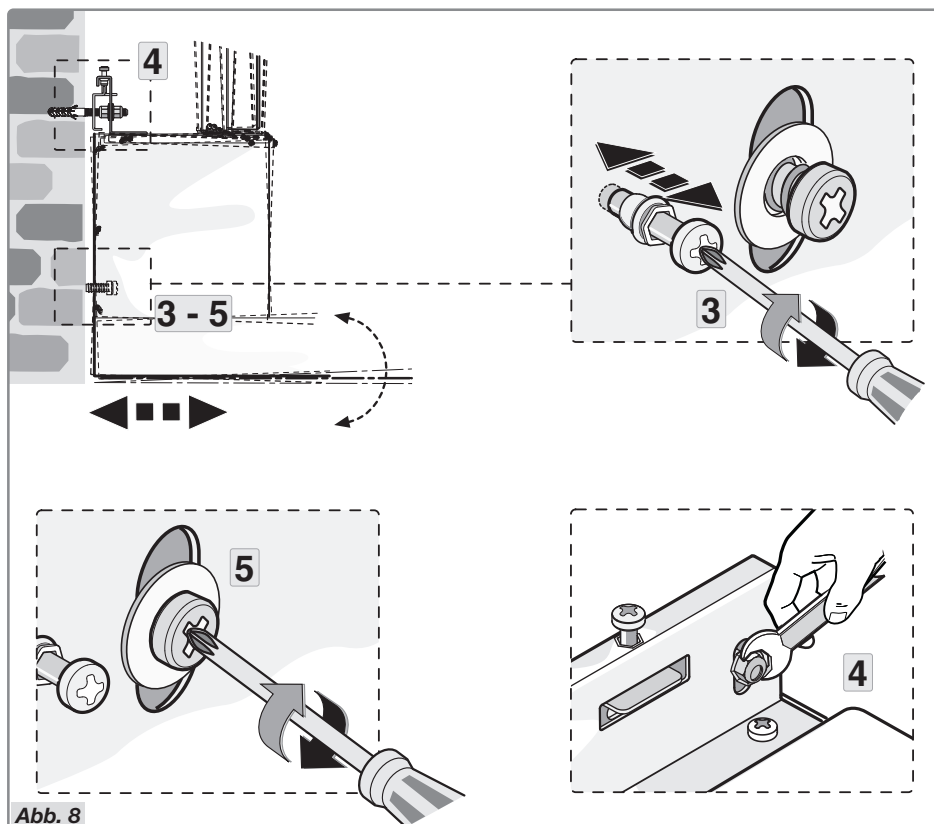
## INSTALLATION



**Abb. 7**

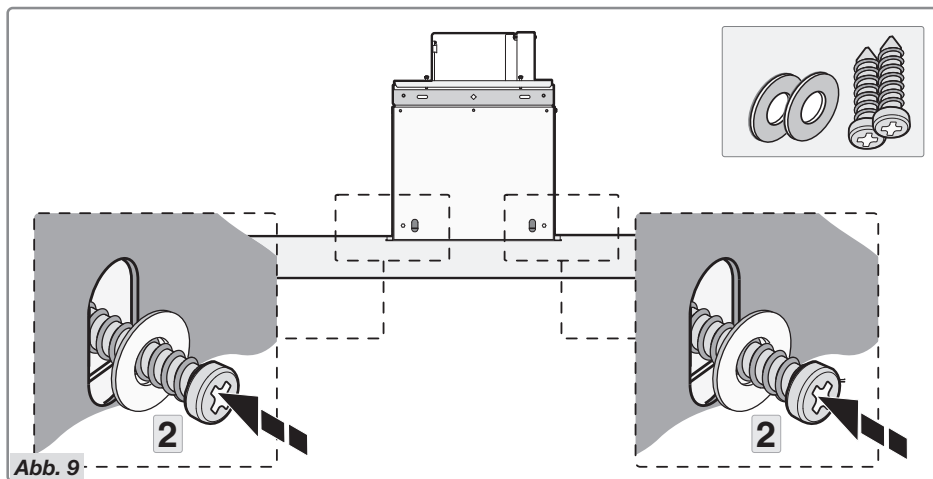
- Richten Sie die Abzugshaube mithilfe der 2 Ausgleichsschrauben horizontal aus (Abb. 7 Schritt 1).

## INSTALLATION



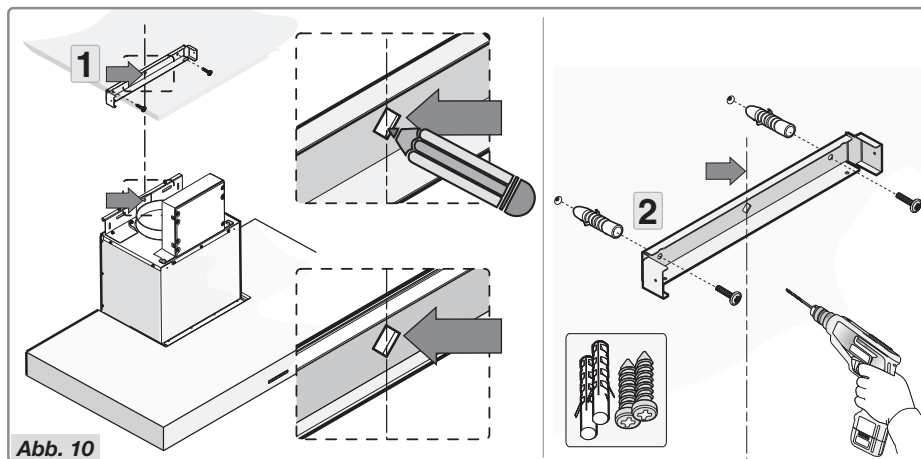
- Richten Sie die Abzugshaube mit den 2 Stellschrauben im Motorgehäuse auch vertikal aus (Abb. 8 Schritt 3).
- Nach dem Ausrichten der Abzugshaube müssen Sie die Schrauben vollständig festziehen, wie in Abbildung 8 Schritt 4 dargestellt; verfahren sie genauso mit den Sicherheitsschrauben (Abb. 8 Schritt 5).

## INSTALLATION

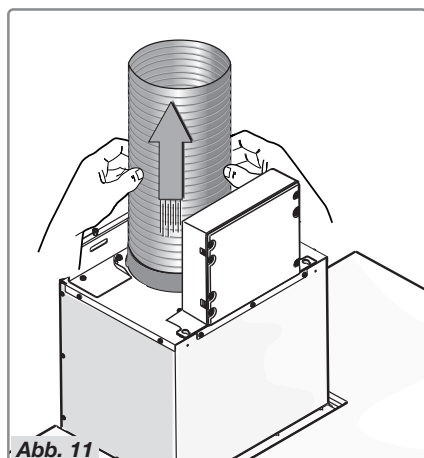


- Befestigen Sie die Abzugshaube definitiv mit den 2 mitgelieferten Schrauben und 2 Unterlegscheiben (Abbildung 9 Schritt 2).

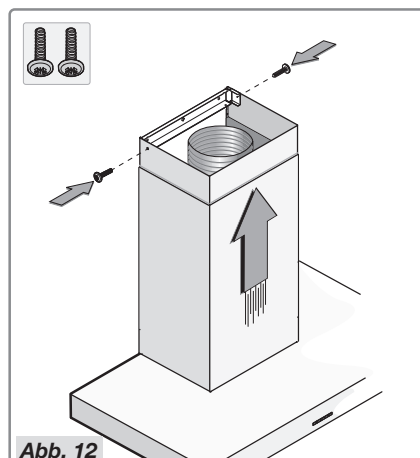
# INSTALLATION



- Positionieren Sie die Halterung in Übereinstimmung mit den Maßen in Abbildung 1 und befestigen Sie sie mit den mitgelieferten Schrauben an ihrem Platz (Abbildung 10).



- Schließen Sie den Flansch mithilfe eines Rohrs an den Luftabzug an (Abb. 11).



- Bringen Sie den oberen auf dem unteren Schacht an und installieren Sie diesen auf dem Gehäuse der Abzugshaube. Schieben Sie den oberen Schacht gegen die Halterung und befestigen Sie sie mit den 2 Schrauben (Abbildung 12).

## Entsorgen

### Verpackung und Gerät entsorgen

Bei der Herstellung dieses Geräts wurden nachhaltige Materialien verwendet. Am Ende seiner nutzbaren Lebensdauer muss das Gerät auf verantwortliche Weise entsorgt werden. Einschlägige Informationen erhalten Sie bei den zuständigen Behörden.

Die Verpackung des Geräts kann recycelt werden. Folgende Materialien können darin enthalten sein:

- Pappe;
- Polyethylenfolie (PE);
- FCKW-freies Polystyrol (PS-Hartschaum).

Entsorgen Sie das Verpackungsmaterial auf verantwortliche und vorschriftsmäßige Weise.



Um darauf hinzuweisen, dass elektrische Haushaltsgeräte vorschriftsgemäß getrennt entsorgt werden müssen, trägt das Produkt das Symbol eines durchgestrichenen Müllimers. Das bedeutet, dass das Gerät am Ende seiner Lebensdauer nicht mit dem herkömmlichen Hausmüll entsorgt werden darf. Das Gerät muss bei einem städtischen Betrieb für getrennte Abfallentsorgung oder bei einer Verkaufsstelle abgeliefert werden, die die Entsorgung als Dienstleistung anbietet.

Die getrennte Entsorgung von Haushaltsgeräten verhindert eventuelle negative Auswirkungen für Umwelt und Gesundheit, die durch unsachgemäße Entsorgung entstehen. Auf diese Weise wird sichergestellt, dass die Materialien, aus denen das Gerät besteht, wiederverwertet werden können und somit Energie und Rohstoffe gespart werden.

---

## INDHOLD

---

### *Din emhætte*

---

Indledning	4
------------	---

### *Brug*

---

Beskrivelse	5
Betjening	6
Rengøring af filtre	8

### *Vedligeholdelse*

---

Rengøring	9
-----------	---

### *Installation*

---

Generelt	12
Tilslutning	13
Indbygningsmål	14
Samling	15

### *Bilag*

---

Bortskaffelse	22
---------------	----

---

# DIN EMHÆTTE

---

## Indledning

Du vil hurtigt blive fortrolig med emhættens funktioner ved at læse disse brugsanvisninger. Du bedes læse emhættens sikkerheds- og vedligeholdelsesanvisninger.



*Du skal gemme brugs- og installationsanvisningerne, da de kan være nyttige til senere brug.*

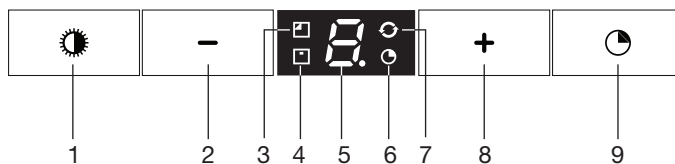


**Læs venligst de separate  
sikkerhedsinstruktioner inden brug.**



# BRUG

## Beskrivelse



1. Tænde/slukke for lyset og sænke belysningen
2. Sænke udsugningskapaciteten og slukke
3. Indikator for rengøring af kulfilter
4. Indikator for rengøring af fedtfilter
5. Statusdisplays
6. Indikator for timer i funktion
7. Ren luft-funktionsindikator
8. Tænde og øge udsugningskapaciteten
9. Tænde for timerfunktionen



### Bemærk!

- Inden du aktiverer eller deaktiverer en funktion, skal motoren og lyset være slukket.
- Hvis din emhætte har kulfilter, skal du aktivere kulfilterindikatoren som beskrevet i afsnittet "Rengøring af filtre".

## Betjening



### Tænde og slukke for udsugning

- Tryk på tasten '+' (8).  
*Emhætten starter på den laveste hastighed.*
- Tryk igen på tasten '+' (8) for at øge udsugningen. Hold tasten '+' (8) trykket i 2 sekunder for at vælge den højeste indstilling (boost) (se tænde for intensiv-indstilling).  
*Udsugningen kan indstilles til hastigheder mellem 1 - 4 eller 9 (afhængigt af modellen).*
- Tryk på tasten '-' (2) for at vælge den laveste indstilling.  
*Udsugningens indstilling er vist på displayet (5).*
- Hvis udsugningen er indstillet på 1, kan du slukke for emhætten ved hurtigt at trykke og slippe tasten '-' (2).
- Du kan slukke emhætten i en hvilken som helst indstilling ved at trykke og holde tasten '-' i mindst 2 sekunder.

### Ændre hastighedsindstillingen (modeller med 9 hastigheder)

Du kan vælge mellem 9 (standard) eller 5 hastighedsindstillinger.

- Tryk og hold knappen '-' (2) og knappen '+' (8) i mindst 5 sekunder.  
*På denne måde vælger du hastighedsindstillingen 5. Tryk og hold igen knappen '-' (2) og knappen '+' (8) i mindst 5 sekunder for at vælge hastighedsindstillingen 9.*



### Tænde og slukke lys

- Tryk og slip hurtigt lysknappen (1).  
*Lyskontakterne på højeste styrke.*
- Tryk og hold lysknappen (1) for at vælge lysstyrken.  
*Lyset ændrer fra højeste til laveste styrke og omvendt.*



### Tænde for intensiv indstilling:

- Tryk og hold knappen '+' (8) i ca. 2 sekunder.  
*Den intensive indstilling (indstillingen P) er tændt i ti minutter (afhængigt af modellen). Displayet (5) blinker i denne periode. Efter denne periode aktiveres den forudgående udsugningsindstilling.*
- Tryk og slip hurtigt knappen '+' (8) for at slukke for den intensive indstilling.





## Slå timeren til

- Tryk på timer-tasten (9).  
*Timerindikatoren tænder.*  
*Emhætten slukker automatisk efter 10 minutter.*
- Sluk for timer-funktionen ved at trykke på ”-“-knappen ”2”.

Hvis lyset er tændt nedsættes lysterken automatisk med 30-40 %, når timeren er slukket.



## Bemærk!

Hvis den intensive indstilling er valgt, kan du ikke aktivere timerfunktionen.

## Ren luft-funktion

Ren luft funktionen giver dig mulighed for at rense luften i dit køkken i maksimalt 12 timer.



- Slukke for emhætten.
- Tryk og hold timerknappen (9) i ca. 4 sekunder.  
*Emhætten tænder automatisk i 10 minutter hver time på den laveste hastighedsindstilling. Under udsugningen blinker ren luft-funktionen (6).*  
*Når emhætten stopper efter 10 minutter, er ren luft-indikatoren ‘G’ tændt, indtil emhætten igen starter efter 50 minutter.*
- Du kan på et hvilket som helst tidspunkt slukke for ren luft-funktionen ved at trykke på en tilfældig knap (bortset fra

lysknappen).

## Rengøring af filtre

### Tilstoppede fedt- og kulfilter

Filtrene skal udskiftes eller rengøres, når fedtfilterindikatoren (4) eller kulfilterindikatoren (3) er tændt.



#### Fedtfilter

Fedtfilterindikatoren (4) blinker efter 30 driftstimer.

- På dette tidspunkt bør fedtfilterene rengøres.
- Nulstil hukommelsen ved at trykke og holde knappen '-' (2), indtil fedtfilterindikatoren (4) holder op med at blinke.



#### Kulfilter

Kulfilterindikatoren (3) blinker efter 120 driftstimer.

- Det betyder, at kulfilteret skal rengøres eller udskiftes.
- Nulstil hukommelsen ved samtidigt at trykke og holde knapperne '-' (2) og '+' (8) indtil kulfilterindikatoren (3) holder op med at blinke.



#### Tænde for kulfilterindikatoren

- Tryk og hold samtidigt knapperne '+' (8) og lysknappen (1), indtil kulfilterindikatoren (3) blinker to gange.

*Nu er kulfilterindikatoren aktiveret.*

#### Slukke for kulfilterindikatoren

- Tryk og hold samtidigt knapperne '+' (8) og lysknappen (1), indtil kulfilterindikatoren (3) blinker en gang.

Kulfilterindikatoren er tændt:

- Kulfilterindikatoren (3) tænder i 3 sekunder.

Kulfilterindikatoren er slukket:

- Kulfilterindikatoren (3) blinker i 3 sekunder.



### Rengøring



#### Vigtigt!

Inden nogen form for vedligeholdelse skal emhætten frakobles elforsyningen ved at trække stikket ud af stikkontakten, eller ved at slukke hjemmets hovedkontakt. Emhætten skal rengøres regelmæssigt, både indvendigt og udvendigt (mindst lige så ofte som fedtfilteret rengøres). Brug ikke slibende rengøringsmidler! **Brug ikke alkohol!**

#### Vigtigt!

Hvis instruktionerne for rengøring af apparatet eller udskiftning af filterne ikke følges, kan det resultere i brand. Disse instruktioner skal overholdes! Fabrikanten er ikke ansvarlig for skader på emhætten eller brandskader, der opstår som resultat af ukorrekt vedligeholdelse eller fra ikke-overholdelse af de ovennævnte sikkerhedsinstruktioner.

#### Emhætte

Rengør emhætten med sæbevand og en blød klud.

Skyl derefter efter med rent vand. Brug ikke stærke rengøringsmidler såsom kaustisk soda. Emhættens finish vedligeholdes bedst, hvis den pudses regelmæssigt efterfølgende påføringen af voks.



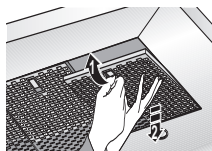
#### Emhætte af rustfrit stål

Brug ikke skuresvampe eller stærke rengøringsmidler på rustfrit stål emhætter. Afslut med et rengøringsmiddel, som hverken sliber eller polerer, og gnid det rustfri stål i kornenes retning.

#### Metal fedtfiltere

Fedtfiltere i metal bør rengøres en gang om måneden (eller når det indikeres af filterrengøringsindikatoren - hvis de findes på modellen) med brug af et neutralt rengøringsmiddel, enten i hånden eller i opvaskemaskinen på det korte program ved lav temperatur. Placer fedtfilterne med åbningerne nedad i opvaskemaskinen, så vandet kan løbe ud af filtret. Fedtfiltere i aluminium bliver matte som et resultat af rengøringsmidler til opvaskemaskinen. Dette er normalt, og det påvirker ikke funktionen.

## VEDLIGEHOLDELSE



### Fjerne filterkassette

- 1 Sluk for motor og belysning.
- 2 Åben dækpladen.
- 3 Fjern filteret fra emhætten.

### Rengøring

Begge dele kan vaskes i opvaskemaskinen. Lad filtrene dryppe godt af inden de sættes tilbage.

Filtrene kan også rengøres manuelt.

Vask filtrene i sæbevand med opvaskemiddel og skyl. Lad filtrene dryppe godt af. Undersiden af emhætten kan rengøres med et mildt rengøringsmiddel og en fugtig klud. Tør efter med køkkenrulle eller en tør klud.

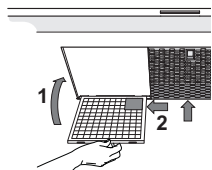
### Udskiftning af filterkassette

Filteret skal placeres med låsemekanismen på siden. Åben filterets dækplade. Hængslerne på siden af filteret glider ind i deres indhak. Hold dækpladen i denne position, når filtrene placeres.

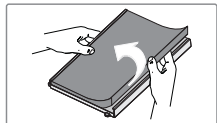
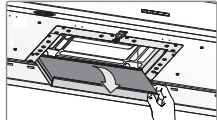
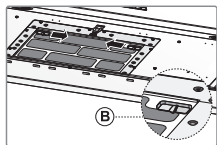
- 1 Sæt hængslerne på bagsiden af filteret i den specielt beregnede åbning på siden af emhætten.
- 2 Vip filteret op.
- 3 Frigør dækpladen. Hængslerne på filterets bagside kommer frem og glider ind i de specielt beregnede åbninger på emhætten.  
*Nu er filteret på plads igen.*

### Bemærk!

Sæt fedtfilterne tilbage i den position, som de var monterede i (se figur). Fedtfilternes korrekte placering sikrer den mest effektive udsugning.



## VEDLIGEHOLDELSE



### Filtre med aktivt kul

Det regenererende aktive kulfilter skal vaskes i hånden med et neutralt rengøringsprodukt eller i en opvaskemaskine ved en maksimal temperatur på 65 °C (der skal vaskes op uden andre genstande såsom tallerkner, kopper osv. i maskinen).

Fjern det overskydende vand uden at beskadige filtret, fjern holderen, og lad filtret tørre i ovnen i mindst 15 minutter ved en maksimal temperatur på 100 °C.

De regenererende kulfiltre skal vaskes hver 2. måned, eller når det angives af filterindikatoren, for at sikre, at de er effektive. Filteret skal udskiftes senest efter 3 år, eller hvis det er beskadiget.



**Det er vigtigt, at fedtfiltrene og de regenererende kulfiltre er helt tørre, inden de sættes tilbage.**

### Udskiftning af kulfilter:

Fedtfiltrene skal fjernes inden kulfilteret udskiftes.

- Tryk de to "B"-knapper på kulfilteret ind.
- Vip kulfilteret ned for at fjerne det.



### Betjening:

- Brugen af kulfilter udsender mere støj, end hvis emhættes bruges med udsug.
- Kulfilteret fungerer optimalt med lavere motorhastigheder. Du bør derfor undgå brug af boost-funktionen.



### Vigtigt!

Denne emhætte er udstyret med LED-pærer! Disse skal udskiftes af en specialiseret tekniker. Forsøg ikke på selv at udskifte LED-pærer.

---

# INSTALLATION

---

## *Generelt*

---

Dette apparat bør sluttes til hovedstrømforsyningen af en autoriseret installatør, der kender til og anvender de korrekte sikkerhedsspecifikationer.

Vi erklærer hermed, at vores produkter opfylder de gældende europæiske direktiver, ordrer og vedtægter, såvel som de krav der er angivet i de refererede standarder.

### **Vigtig information:**

- Afstanden mellem emhættens laveste punkt og et gaskomfur bør være mindst 65 cm. Ved brug af et elektrisk, keramisk eller induktionskomfur skal afstanden være mindst 55 cm.
- Følg de gældende lokale bestemmelser vedrørende ventilation for gasapparater.
- Emhætten fungerer bedre med et kort udløbsrør og så få kurver som muligt.
- Inden der bores, bør det kontrolleres, at der ikke er ført rør eller kabler på stedet.
- Emhættens tilslutningsrør er 120 mm eller 150 mm i diameter. Brug den størst mulige (150 mm) skorsten med samme diameter.
- Installationsmaterialet, som følger med emhætten, er velegnet til armeret beton og murværk. Til specielt murværk har du brug for specielle plugs og skruer.



---

## INSTALLATION

---

### Tilslutning

#### **Elektrisk tilslutning**

Dette er et apparat i isoleringsklasse II (dobbel isolering). Kablet behøver ikke at være sluttet til et jordet stik.

Kontrollér, at spændingen på typepladen svarer til spændingen i din hjemmeinstallation.

Strømtilslutningen udføres som følger:

BRUN = **L** fase

BLÅ = **N** nul

Hver emhætte er udstyret med et forbindelsesstik. Montér emhætten så stikket er tilgængeligt.

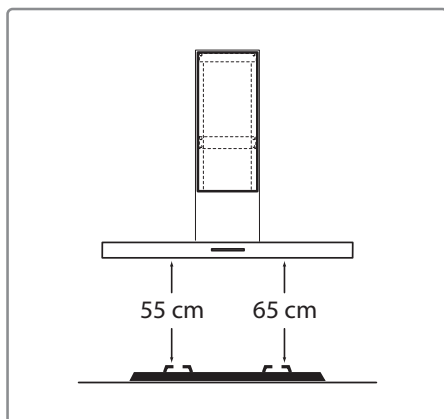


#### **Bemærk!**

Hvis du ønsker at lave en fast tilslutning, skal du sørge for, at en omnipolær kontakt med en kontaktskillelse på mindst 3 mm er monteret i forsyningslinjen.

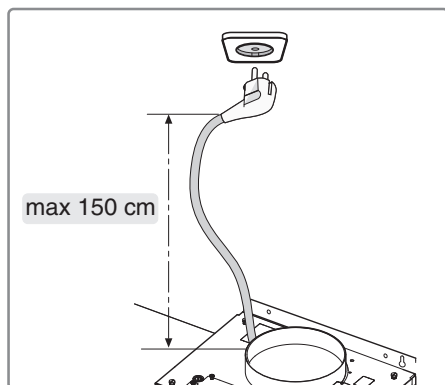
# INSTALLATION

## *Indbygningsmål*



### **Installationshøjde:**

Minimumafstanden mellem kogepladen på et gaskomfur og emhættens nederste kant bør være 65 cm. Ved brug af et elektrisk, keramisk eller induktionskomfur bør afstanden være mindst 55 cm.



# INSTALLATION

## Samling



Det er mest hensigtsmæssigt, hvis installationen udføres af to personer.

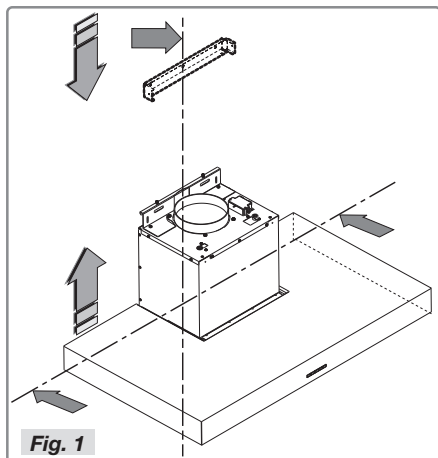


Fig. 1

- Skitser emhættens underside på væggen, hvor der tages højde for minimumsafstanden mellem emhætte og komfuret.

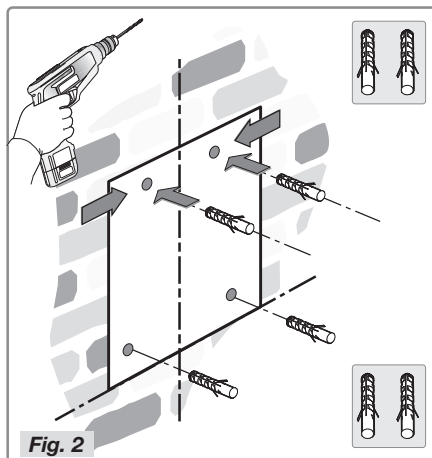
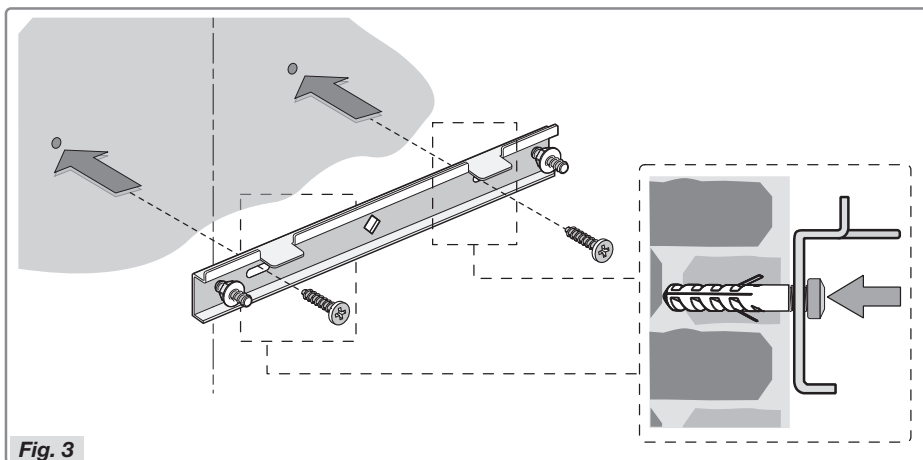


Fig. 2

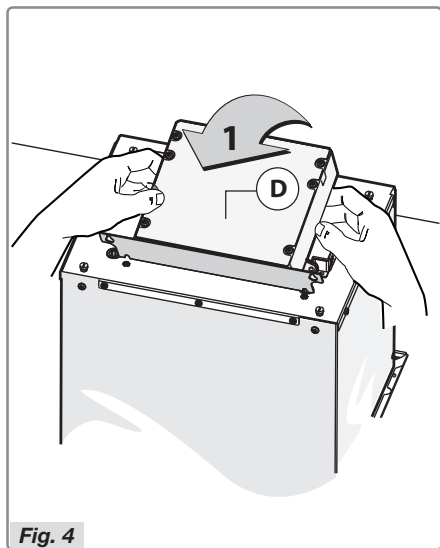
- Placér skabelonen på muren og sørg for, at kanten følger den linje, som er aftegnet på muren. Afmærk hullernes placering og bor hullerne i muren (fig. 2).

## INSTALLATION



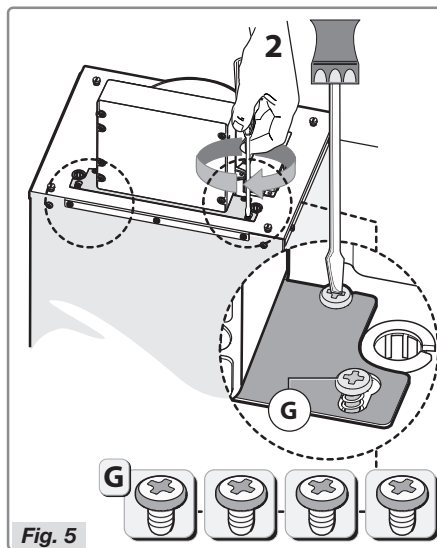
**Fig. 3**

- Placér beslaget på muren og gør det fast med de to medfølgende skruer. Der skal bruges ekspansionsplugs og skruer til monteringen, som passer til det respektive murværk (f.eks. armeret beton, gipsplader osv.). Hvis der følger skruer og plugs med emhætten, skal det sikres, at de er egnede til murværket, hvor emhætten skal monteres, inden arbejdet påbegyndes.



**Fig. 4**

- Emhætten skal monteres med den elektriske enhed i opret position (fig.4).



**Fig. 5**

- Gør beslaget fast med de fire skruer **G**, som vist i figur 5.

## INSTALLATION

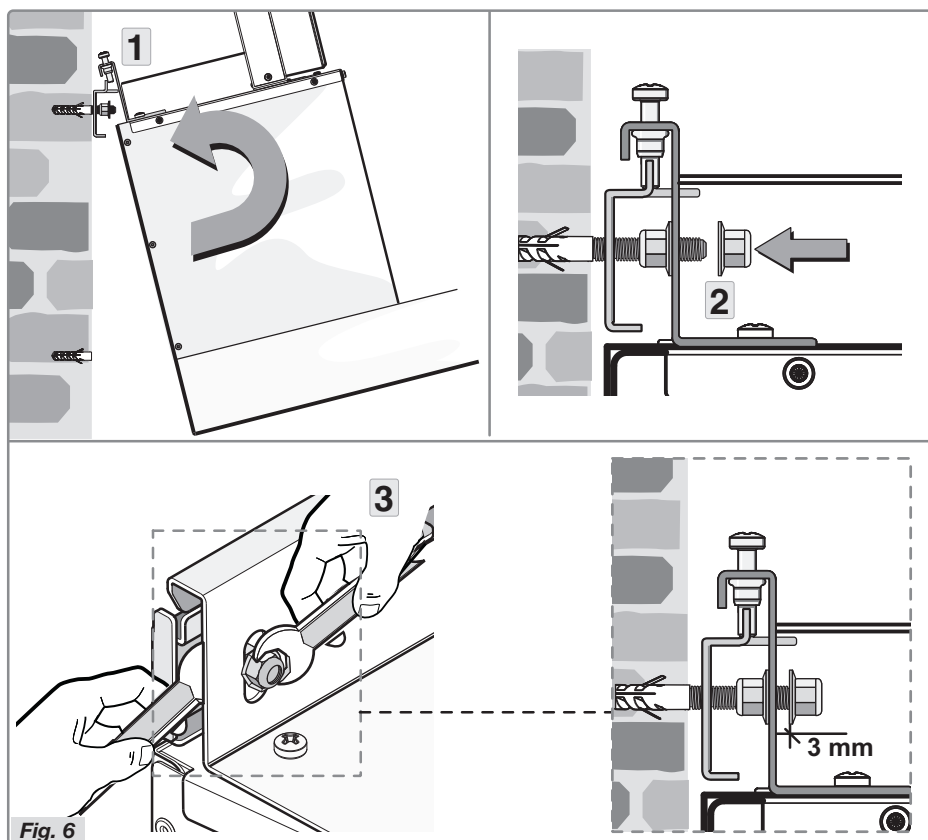
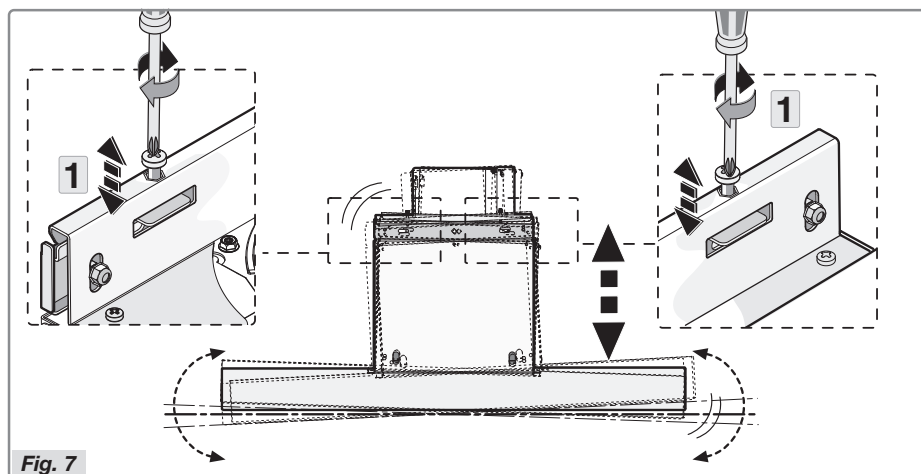


Fig. 6

- Vip emhætten lidt og hæng den sikker op i beslaget (fig. 6 trin 1).
- Sæt emhætten på plads og gør den fast til beslaget ved at sætte møtrikken på skruen (fig. 6 trin 2).
- Hold en passende skruetrækker i den ene hånd, og stram møtrikken med en anden skruetrækker i den anden hånd (fig. 6 trin 3). Afstanden mellem møtrikken og beslaget skal være mindst 3 mm.

## INSTALLATION



- Justér emhættens vandrette linje ved hjælp af de to justeringskruer (figur 7 trin 1).

## INSTALLATION

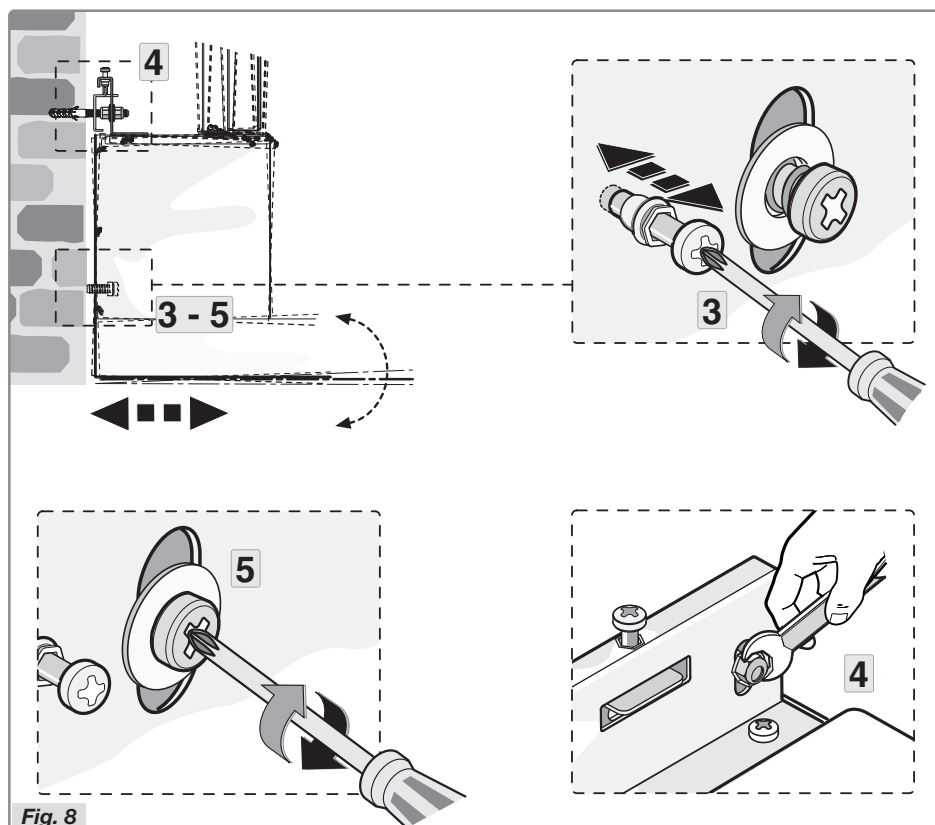
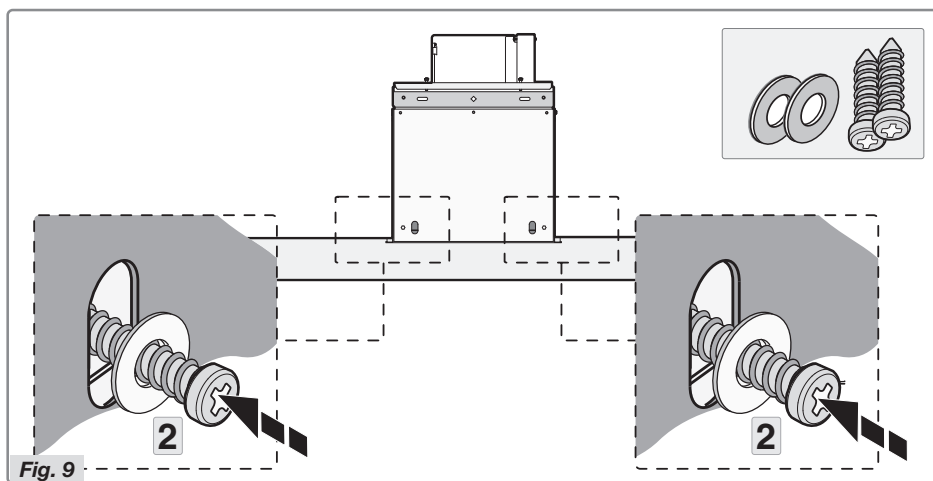


Fig. 8

- Justér enhættens lodrette linje ved hjælp af de to justeringsskruer i motorhuset (figur 8 trin 3).
- Når enhætten er rettet ind, skal alle skruer spændes fast som vist i figur 8 trin 4. Det samme gælder også for sikkerhedsskruerne (fig. 8 trin 5).

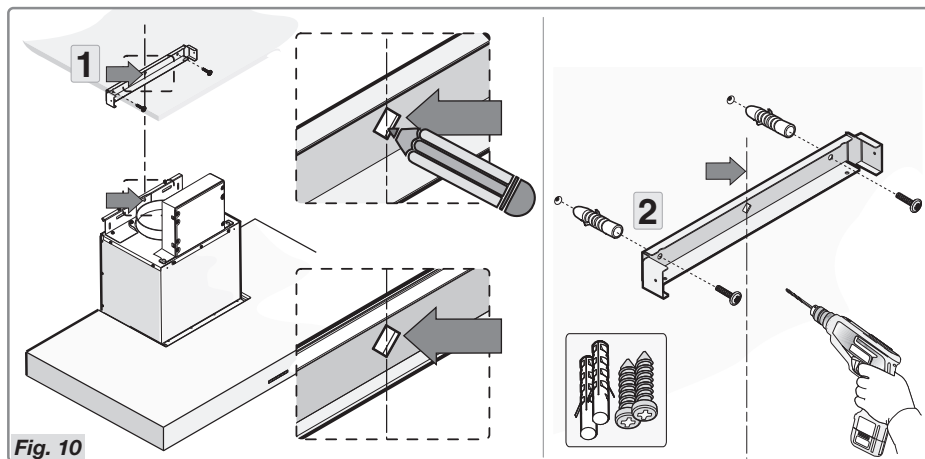
## INSTALLATION



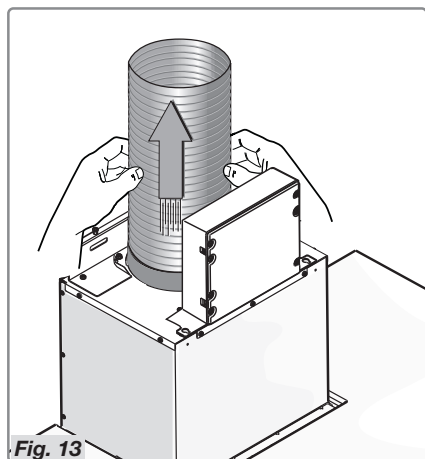
- Fastgør emhætten endeligt ved hjælp af de to medfølgende skruer og ringe (figur 9 trin 2).



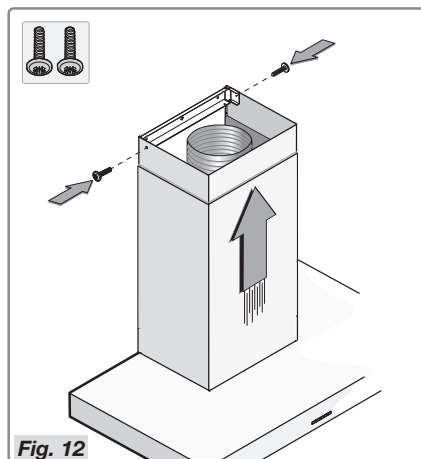
## INSTALLATION



- Placér beslaget med målene, som anvist i figur 1 og gør det fast med de medfølgende skruer og plugs (fig. 10).



- Tilslut flangen til luftudløbet ved hjælp af et rør (fig. 11).



- Placér topakslen i bundakslen og sæt det i emhættens hus. Lad topakslen glide mod beslaget og gør det fast med de to skruer (fig. 12).

### **Bortskaffelse**

#### **Bortskaffelse af apparat og emballage**

Der er anvendt bæredygtige materialer til fabrikationen af dette apparat. Dette apparat skal bortskaffes på en ansvarlig måde, når det ikke længere kan bruges. Rådfør dig med de lokale myndigheder for yderlige oplysninger om, hvordan dette gøres.

Apparatets emballage kan genbruges. Følgende materialer kan være blevet anvendt:

- pap
- polyethylenfolie (PE)
- CFC-fri polystyren (PS hårdt skum)

Disse materialer skal bortskaffes på forsvarlig vis og i henhold til myndighedernes bestemmelser.



Dette produkt er mærket med en overkrydset skraldespandsymbol for at minde dig om forpligtigelsen til at bortskaffe husholdningsapparater separat. Det betyder, at apparatet ikke må smides ud med køkkenaffaldet, når det ikke længere kan bruges. Apparatet skal bringes til en særlig kommunal indsamlingsfacilitet eller til en forhandler, der yder denne service.

Separat håndtering af husholdningsapparater forhindrer de negative konsekvenser for miljøet og sundheden, der kan opstå som resultat af ukorrekt håndtering. Det sikrer, at de materialer, som apparatet består af, kan genindvindes for at opnå betydelige besparelser inden for energi og råmaterialer.