

Owner's Manual

Outdoor/Indoor
Refrigerator

ZDOG240



Monogram®

Consumer Information

Outdoor/Indoor Refrigerator

Introduction

Your new Monogram outdoor/indoor refrigerator makes an eloquent statement of style, convenience and kitchen planning flexibility. Whether you chose it for its purity of design or the assiduous attention to detail, you will find that your Monogram outdoor/indoor refrigerator's superior blend of form and function will delight you for years to come.

The information on the following pages will help you operate and maintain your outdoor/indoor refrigerator properly.

Contents

Consumer Information	2, 3	Care and Cleaning	9~10
Important Safety Instructions	4, 5	Built In Dimensions	11~12
Controls and Features	6~8	The Problem Solver	13~15

Before using your outdoor/indoor refrigerator

Read this manual carefully. It is intended to help you operate and maintain your new outdoor/indoor refrigerator properly.

Keep it handy for answers to your questions.

Write down the model & serial numbers

You will find them on a label on the ceiling inside the outdoor/indoor refrigerator.

Please write these numbers here:

Model Number

Serial Number

Use these numbers in any correspondence or service calls concerning your outdoor/indoor refrigerator.

Consumer Information

Outdoor/Indoor Refrigerator

If you received a damaged appliance

The warranty does not cover damage caused after delivery.

Immediately contact the dealer (or builder) that sold you the outdoor/indoor refrigerator.

Remove packaging

Before using, be sure all packing materials and tape have been removed.

To assure no damage is done to the finish of the product, the safest way to remove the adhesive left from packaging tape

on new appliances is an application of household liquid detergent. Apply with a soft cloth and allow to soak. Wipe dry and then apply an appliance polish to thoroughly clean and protect the surface.

Caring for your stainless steel

Stainless Steel—We strongly advise applying a commercially available stainless steel cleaner to preserve and protect the fine finish monthly.

The following substances and naturally occurring materials will cause damage to all stainless steel finishes. Care must be taken not to allow these substances to come in contact with your outdoor/indoor refrigerator. If any of these do get on your unit, wash and rinse immediately (see Care and Cleaning).

- Battery acid
 - Pool chemicals (such as chlorine and bromine)
 - Lawn fertilizer
 - Ice melting salts
 - Creosote
 - Iodine
 - Pickling juice
 - Urine
 - Bird droppings
 - Tree sap
 - Sea water
-

Safety considerations for outdoor applications

Use this appliance only for its intended use as described in this manual.

- Do not operate the unit where the temperature will go below 45°F (7.2°C) or above 120°F (49°C) (see Unit ON/OFF).
- Ensure the outdoor/indoor refrigerator is not installed in a location prone to standing water.
- Choose a level location that can withstand 113 kg.
- Route the power cord so that it does not present a trip hazard.
- Surface can be hot in direct sunlight conditions. Use caution.

- Ensure the chosen location does not present a tip-over situation.
- Make sure dishes cool prior to storing them in the outdoor/indoor refrigerator. Certain types of glass, ceramic, earthenware or other glazed utensils retain heat. Hot dishes can cause the cold glass shelves to break.

IMPORTANT SAFETY INSTRUCTIONS

READ AND SAVE THESE INSTRUCTIONS

⚠ WARNING: When using this appliance, always exercise basic safety precautions, including the following:

- **Use this appliance only for its intended purpose** as described in this Owner's Manual.
- **This outdoor/indoor refrigerator must be properly installed in accordance with the Installation Instructions before it is used.**
- **Do not allow children to climb, stand or hang on the shelves in the outdoor/indoor refrigerator.** They could damage the outdoor/indoor refrigerator and seriously injure themselves.
- **Do not store or use gasoline or other flammable vapors and liquids in the vicinity of this or any other appliance.**
- **Do not attempt to stand on top of the refrigerator.** Doing so may result in bodily injury or damage to the refrigerator.
- **Do not allow children to play with the refrigerator or tamper with the controls.**
- **Keep fingers out of the "pinch point" areas:** clearances between the door and between the door and cabinet are necessarily small. Be careful closing the door when children are in the area.
- **Unplug or turn off your outdoor/indoor refrigerator before cleaning or making repairs.**

NOTE: All servicing must be performed by a qualified service agent.

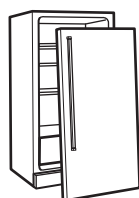
- **Before replacing a burned-out light bulb,** the outdoor/indoor refrigerator should be turned OFF or unplugged in order to avoid contact with a live wire filament. (A burned-out light bulb may break when being replaced.)

This appliance has a refrigerating system filled with R600a (isobutane) refrigerant, so bear in mind:

- **Leave servicing to an authorised expert.**
- **Be careful not to obstruct any air vents.**
- **Never use or store electric appliances in the refrigerator compartment.**
- **Never clean the appliances with sharp objects, as you may damage the refrigerating system.**

⚠ WARNING: Do not use mechanical devices or other artificial means to accelerate the defrosting process, other than those recommended by the manufacturer. **The appliance is not intended for use by young children or infirm persons without supervision. Young children should be supervised to ensure that they do not play with the appliance.**

⚠ DANGER: RISK OF CHILD ENTRAPMENT



Child entrapment and suffocation are not problems of the past. Scrapped or abandoned refrigeration products are still dangerous...even if they are to sit for "just a few days." If you are getting rid of your old appliance, please follow these instructions to help prevent accidents.

Before You Throw Away Your Old Refrigeration Product:

- Take off the doors.
- Leave the shelves in place so that children may not easily climb inside.

REFRIGERANTS

All refrigeration products contain refrigerants, which under federal law must be removed prior to product disposal.

If you are getting rid of an old refrigeration product, check with the company handling the disposal about what to do.

IMPORTANT SAFETY INSTRUCTIONS

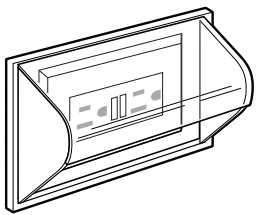
HOW TO CONNECT ELECTRICITY



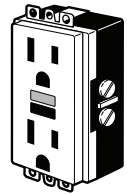
▲WARNING:

THIS PRODUCT MUST BE CONNECTED TO A POWER SOURCE WITH EARTH LEAKAGE CIRCUIT BREAKER (ELCB) PROTECTION WHEN INSTALLED IN AN OUTDOOR LOCATION. LOCAL CODES MAY REQUIRE A SEPARATE CIRCUIT.

IF YOU ARE UNCERTAIN ABOUT THE GFCI PROTECTION ON THE POWER SOURCE TO WHICH YOU ARE CONNECTING THIS APPLIANCE, PLEASE CONTACT A PROFESSIONAL ELECTRICIAN FOR VERIFICATION.



Refrigerator MUST be plugged into a functioning ELCB circuit. Test your circuit by plugging your refrigerator into the outlet and pressing the test button for that circuit, verifying that the unit turns off (the light will not work with the door open). Then press the Reset button and confirm that the light comes on with the door open. If you do not know if you have a ELCB circuit, contact a qualified electrician for assistance.



Do not place the unit in standing water or allow the power cord to be immersed.

Do not, under any circumstances, cut or remove the third (ground) prong from the power cord. For personal safety, this appliance must be properly grounded.

The power cord of this appliance is equipped with a 3-prong (grounding) plug which mates with a standard 3-prong (grounding) wall outlet to minimize the possibility of electric shock hazard from this appliance.

Have the electrical outlet and circuit checked by a qualified electrician to make sure the outlet is properly grounded.

Where a standard 2-prong electrical outlet is encountered, it is your personal responsibility and obligation to have it replaced with a properly grounded 3-prong wall outlet.

The appliance should always be plugged into its own individual electrical outlet which has a voltage rating that matches the rating plate. This provides the best performance and also prevents overloading house wiring circuits which could cause a fire hazard from overheated wires.

Never unplug an appliance by pulling on the power cord. Always grip the plug firmly and pull straight out from the outlet.

Repair or replace immediately all power cords that have become frayed or otherwise damaged. Do not use a cord that shows cracks or abrasion damage along its length or at either end.

When moving the appliance, be careful not to roll over or damage the power cord.

(Power plug and socket shown is for illustrative purpose only.)

DO NOT USE AN ADAPTER PLUG OR EXTENSION CORD



Do not use an adapter plug to connect the refrigerator to a 2-prong outlet.

Do not use an extension cord with this appliance.

SAVE THESE INSTRUCTIONS

Controls and Features

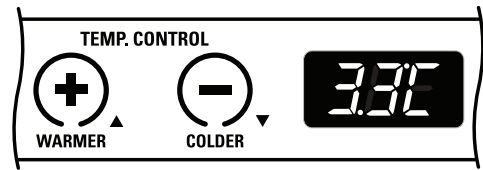
Outdoor/Indoor Refrigerator

Temperature control

The temperature display shows the actual temperature of the outdoor/indoor refrigerator. The actual temperature may vary slightly from the set temperature based on factors such as door opening, amount of food and outside temperature.

To change the temperature setting, press the WARMER or COLDER pads until you reach the desired set temperature. After several seconds, the display will return to the actual temperature.

Allow 12–24 hours for the outdoor/indoor refrigerator to reach the temperature that you have set.



Temperature Settings

Minimum: 34°F (1.1°C)

Maximum: 45°F (7.2°C)

Child control lockout

This child control lockout feature prevents unwanted changes to your temperature settings.

After the desired temperature is set, the temperature can be locked. To lock, press both the + and – pads at the same time for five seconds. To unlock, press both + and – pads for five seconds.

Unit ON/OFF

This pad stops cooling in the outdoor/indoor refrigerator, turns off the temperature controls and removes power to the light circuit.

Press this pad for a minimum of 3 seconds to turn the outdoor/indoor refrigerator OFF for long vacations or absences, or when cleaning the unit or changing the light bulb. Press the pad again to turn the outdoor/indoor refrigerator ON.



Key ejecting lock

Keep the keys out of reach of children. Store the keys in a safe place.

Keys for the spring-loaded lock are automatically ejected. Keys will not remain in the lock while the door is opened or closed.

NOTE: Two keys are included.

CAUTION: Before closing the door, make sure the lock pin does not protrude beyond the top of the door, to prevent potential damage to the cover or cabinetry.

Interior fan

The interior fan is located in the rear wall of the outdoor/indoor refrigerator and is designed to run continuously to help maintain the proper cooling temperature. The interior fan will only turn off when the door is opened.

Controls and Features

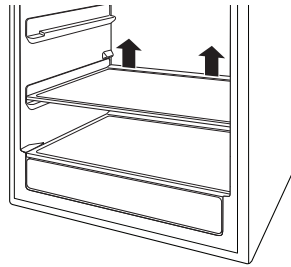
Outdoor/Indoor Refrigerator

Glass shelves

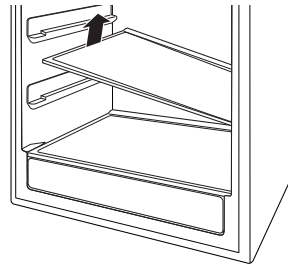
Tempered glass shelves in the outdoor/indoor refrigerator are removable for easy cleaning or for storing larger items.

To remove a shelf, open the door completely to avoid potential damage to the gasket. Lift up on the back of the shelf slightly. Tilt the shelf to one side at an angle while pulling forward.

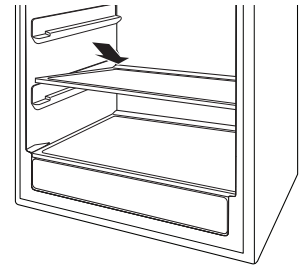
Appearance may vary



To remove, lift up on the back of the shelf



Tilt the shelf at an angle while removing or replacing



Place in slots when replacing the shelf

To replace a shelf, open the door completely to avoid potential damage to the gasket. Tilt the shelf to one side at an angle and slide toward the back wall, placing one side onto the shelf support. Place the other side onto the opposite shelf support. Ensure rear locking tabs are engaged. When installed properly, the shelf will not slide forward when gently pulled.

QuickSpace™ Shelf

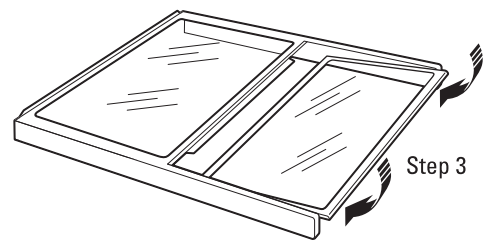
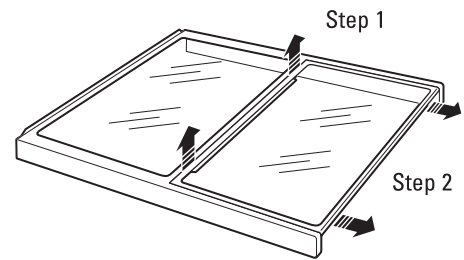
This shelf splits in half and slides under itself for storage of tall items on the shelf below.

Step 1: Lift the back edge of the front half of the shelf.

Step 2: Pull slightly forward.

Step 3: Lower the back edge of the front half of the shelf while sliding it underneath the back half.

The entire Quick Space shelf can be removed and replaced (see Glass Shelves section).



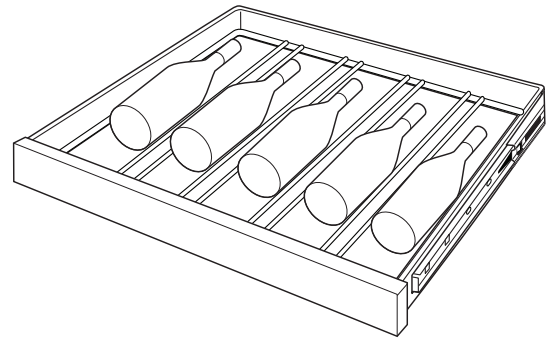
Controls and Features

Outdoor/Indoor Refrigerator

Loading tips and suggestions

The bottom two full extension drawers hold five bottles each and are loaded with necks facing the rear. Tall bottles should not be loaded on the bottom drawer because they may prevent the door from closing.

- **Do not block the thermistor**, located on the right hand side, just above the top shelf of the bar refrigerator. Blocking the thermistor could impair the air circulation and temperature control.



Bottom drawer arrangement

Removing full extension drawers

The bottom full extension drawers pull out so bottles can conveniently be added or removed.

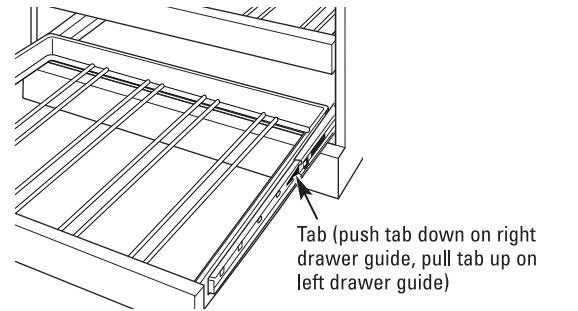
The upper full extension slide can be removed for magnums or larger bottles.

To remove:

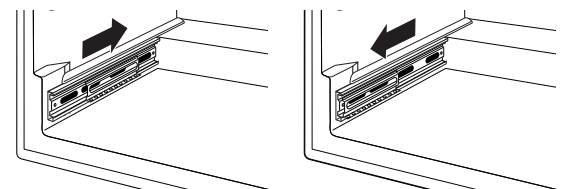
1. Pull the full extension drawer out to the STOP position.
2. Push the tab on right drawer guide down while pulling the tab on left guide up, and pull the drawer out.

To replace:

1. Push the drawer slide arm back into the unit.
2. Pull the small slide sub assembly completely forward.
3. Insert the sides of the drawer back into the guides.
4. Push until the tabs lock into place.



Appearance may vary



To replace, push drawer slide arm back into unit

Pull small slide sub assembly completely forward

NOTE: Make sure the tabs on the full extension drawer guides are fully engaged before loading any bottles. Pull the drawers out all the way to the STOP position and push back in several times to make sure locking tabs are properly engaged.

Wood drawer fronts

The full extension drawer fronts on the outdoor/indoor refrigerator are unfinished cherry wood. During use, oil from hands may accumulate and stain the wood.

- The drawer fronts may be stained and sealed to match adjacent cabinetry.

- Apply the stain and sealer according to the manufacturer's instructions. To avoid unpleasant odor, keep the door open to ventilate and allow the stain/sealer to dry completely before using the product.

NOTE: Natural wood may vary slightly in grain and color.

Care and Cleaning

Outdoor/Indoor Refrigerator

For your safety

Turn the outdoor/indoor refrigerator OFF or unplug the unit before cleaning.

Turn the outdoor/indoor refrigerator OFF by pressing the button on the control panel a minimum of 3 seconds until the light and temperature display turn off.

Door gasket

The vinyl gasket may be cleaned with mild soap and water, a baking soda solution or a mild scouring powder. Rinse well.

After cleaning the door gasket, apply a thin layer of paraffin wax or petroleum jelly to the door gasket at the hinge side. This helps keep the gasket from sticking and bending out of shape.

Light bulb replacement

Turn OFF or unplug the outdoor/indoor refrigerator before replacing the light bulb.

To remove the light shield, push in the tab on the left side of the shield and lower it. Replace with a 15 watt appliance bulb.

In the event of a power failure

If power fails, you can maintain interior temperature longer by keeping the door closed. Open the door only when necessary to avoid the loss of cold air.

Do not store or use gasoline or other flammable vapors and liquids in the vicinity of this or any other appliance.

Preparing for vacation

For long vacations or absences, always leave the unit running with the temperature set at 45°F (7.2°C). This will provide the greatest degree of protection to your outdoor/indoor refrigerator. In addition to leaving your unit turned on, it is recommended that you follow the below steps prior to long vacations. If you cannot leave your unit turned on during extended periods of non-use, be sure to follow the below steps.

1. Remove all the contents from the unit.
 2. Clean the outside and inside (see instructions on the next page).
 3. Place charcoal and baking soda inside the unit. In conditions which are either below 45°F (7.2°C) or high humidity, use 4 lbs. baking soda. In all other conditions, use 1 lb. baking soda.
 4. Cover the unit with vinyl cover.
-

Preparing to move

Secure all loose items such as shelves and drawers by taping them securely in place to prevent damage.

Be sure the outdoor/indoor refrigerator stays in an upright position during moving.

Care and Cleaning

Outdoor/Indoor Refrigerator

For your safety

Turn the outdoor/indoor refrigerator OFF or unplug the unit before cleaning. Turn the outdoor/indoor refrigerator OFF by pressing the button on the control panel a minimum of 3 seconds until the light and temperature display turn off.

Cleaning the outside

Your new stainless steel Monogram unit can maintain its new lustre for the life of the product if maintained as described below.

Keep the outside clean. Regularly polish the stainless steel exterior and handle with Stainless Steel cleaner and polishing cloth, to preserve and protect the fine finish. Do not apply to plastic and rubber components.

To avoid scratching the fine finish of the stainless steel, wipe in the same direction as the grain when polishing or cleaning any stainless steel surface. The grain on the outdoor/indoor refrigerator runs top to bottom on all sides and front to back on the top canopy.

For regular cleaning, use clean water and a soft cloth. If stains persist, wash with mild dish soap using a soft cloth or non-abrasive pad. For more difficult stains, make a solution consisting of 25% vinegar (white or red) and 75% water. Dip a soft cloth into the solution and rub onto the stainless steel to remove the stain.

Always remove any debris or obstruction from the front of the toe-kick to ensure optimum performance.

Do not use appliance wax or polish on any stainless steel surface.

Do not use scouring pads, powdered cleaners, bleach or cleaners containing bleach because these products can scratch and damage the finish.

Warranty does not cover damage due to improper cleaning methods.

Recommended cleaning is determined by the installation location. Use this chart to determine the frequency for cleaning your outdoor/indoor refrigerator.

Stainless Steel Cleaner			
Environment	Stainless Steel Cleaner	Clean Drain	Clean Gasket (add petroleum / wax to hinge side of gasket)
Near Pool and Saltwater	Weekly	Every 6 months	Every 6 months
Near Pool	Every other week		
Near Saltwater	Every other week		
High Humidity	Monthly		
All Others	Every other month		

Cleaning the inside

Unplug the outdoor/indoor refrigerator before cleaning. If this is not practical, turn the unit OFF and wring excess moisture out of the cloth or sponge when cleaning around switches, lights or controls.

Use warm water and baking soda solution—about a tablespoon (15 ml) of baking soda to a quart (1 litre) of water. This both cleans and neutralizes odors. Thoroughly rinse and wipe dry.

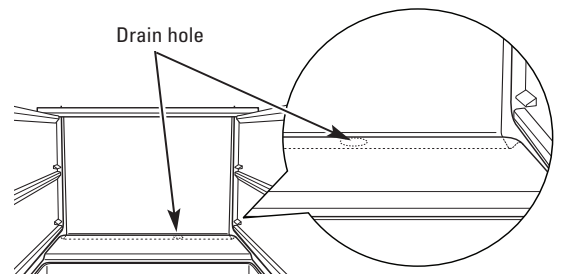
Other parts of the outdoor/indoor refrigerator—including the door gaskets, full extension drawers and glass shelves—can be cleaned the same way.

Avoid cleaning cold glass shelves with hot water because the extreme temperature difference may cause them to break. Handle glass shelves carefully. Rough handling of tempered glass can cause it to shatter.

Drain hole

Periodically check the drain hole and channel for any debris. If the drain is blocked, condensation will not drain properly.

To check and clean the drain hole, remove the bottom two glass shelves. Sweep a damp cloth along the channel in the back of the outdoor/indoor refrigerator. Use a finger to sweep away any debris from the drain hole.



Built-In Dimensions

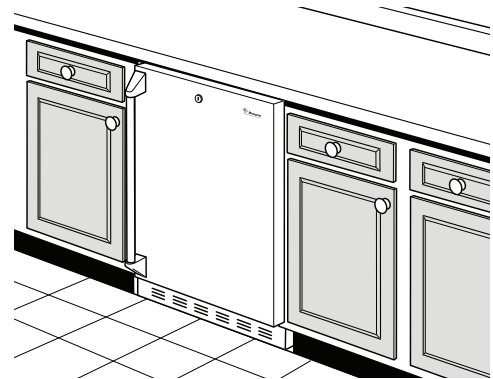
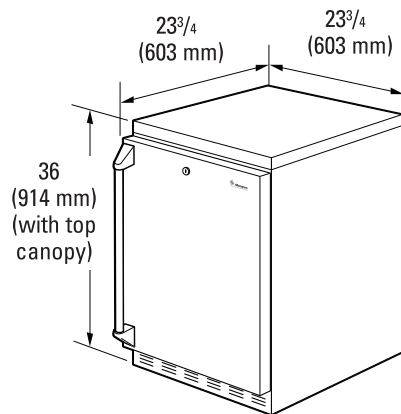
Outdoor/Indoor Refrigerator

Installation dimensions

The outdoor/indoor refrigerator can be a free-standing model or can be built in using the cut-out dimensions below.

When building in the outdoor/indoor refrigerator, be sure to allow for a full door swing so you have full access to the pull-out full extension drawers.

See the Installation Instructions (Pub. No. APR1051E(IN)) for complete directions.



Product dimensions:

Height with canopy: 36" (914 mm)
Height without canopy: 34 $\frac{1}{2}$ " (877 mm)
Width: 23 $\frac{3}{4}$ " (603 mm)
Depth: 23 $\frac{3}{4}$ " (603 mm)

NOTE:

Handle and handle standoff depth is 2 $\frac{3}{4}$ " (70 mm)

Cut-out dimensions:

Height: 34 $\frac{1}{2}$ " (877 mm) minimum
Width: 23 $\frac{3}{4}$ " (603 mm) minimum
Depth: 24" (610 mm)

Top canopy removal

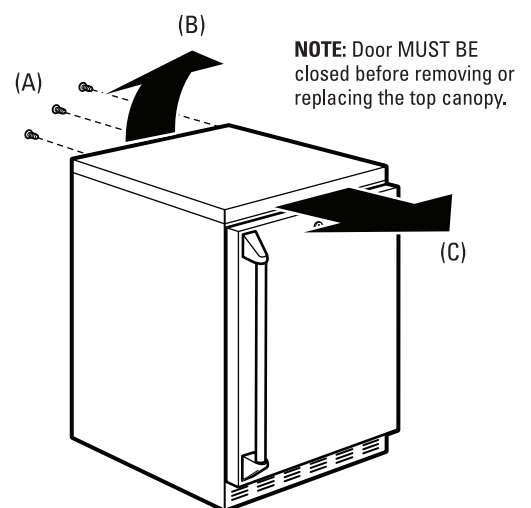
The top canopy may be removed when installing under a countertop.

The door **MUST BE** closed when removing or replacing the top canopy. To avoid damage, the top canopy must clear the left hinge, the center locking plate and right hinge.

- Remove the 3 screws from the back of the top canopy (A).
- Using heavy-duty work gloves, lift up on the top canopy back (B) and slide it forward until it unlatches from the unit (C).
- Lift the top canopy up and off of the unit.

NOTE: Keep the top canopy and screws for future free-standing installations.

NOTE: When installing the unit in a free-standing configuration, the top canopy must be left in place.



CAUTION: Under side edges of the stainless steel canopy top may be sharp. Wear heavy-duty work gloves when moving the top.

Built-In Dimensions

Outdoor/Indoor Refrigerator

Product clearances

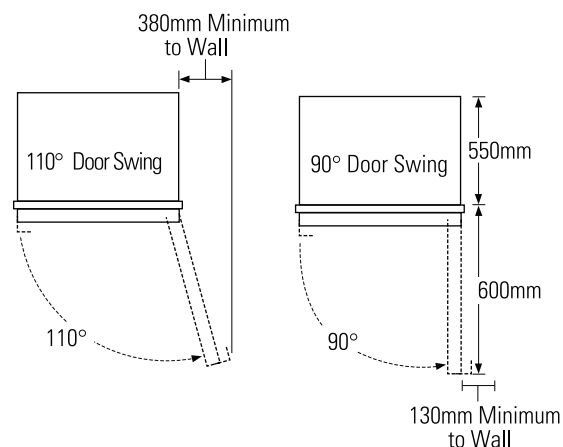
The outdoor/indoor refrigerator is factory set for a 110° door swing.

When installed in a corner:

- Allow 130mm minimum clearance on the **hinge side** for the 90° door swing and to allow racks to slide out.
- Allow 380mm minimum clearance on the **hinge side** for a full 110° door swing.

Choose the location:

- These products may be closed in on the top and three sides as long as the front is unobstructed for air circulation and proper access to the door.
- Do not operate these products where the temperature will go below 45°F (7.2°C) or above 120°F (49°C) (see Unit ON/OFF).



Normal operating sounds

Newer appliances sound different from older appliances. Modern appliances have more features and use newer technology.

Do you hear what I hear? These sounds are normal.

HUMMM... WHOOSH...

- The new high efficiency compressor may run faster and longer than your old appliance and you may hear a high-pitched hum or pulsating sound while it is operating.
- Sometimes the appliance runs for an extended period, especially when the doors are opened frequently.
- You may hear a whooshing sound when the doors close. This is due to pressure equalizing within the appliance.
- The interior fan runs continuously except when the door is opened.



WHIR!

- You may hear the fans spinning at high speeds. This happens when the appliance is first plugged in, when the door is opened frequently or when a large amount of food is added to the appliance. The fans help maintain desired temperatures.
- If the door is open for over 3 minutes, you may hear the fans come on in order to cool the light bulbs.
- The fans change speeds in order to provide optimal cooling and energy savings.

CLICKS, POPS, CRACKS and CHIRPS

- You may hear cracking or popping sounds when the appliance is first plugged in. This happens as the appliance cools to the correct temperature.
- The electronic control board may cause a clicking sound when relays activate to control appliance components.
- Expansion and contraction of cooling coils during and after defrost can cause cracking or popping sounds.

WATER SOUNDS



- The flow of refrigerant through the freezer cooling coils may make a gurgling noise like boiling water.
- Water dropping on the defrost heater can cause a sizzling, popping or buzzing sound during the defrost cycle.
- A water dripping noise may occur during the defrost cycle as ice melts from the evaporator and flows into the drain pan.
- Closing the door may cause a gurgling sound due to pressure equalization.

The Problem Solver

Outdoor/Indoor Refrigerator

Questions?

*Use this
problem
solver!*

PROBLEM	POSSIBLE CAUSE
APPLIANCE DOES NOT OPERATE	<ul style="list-style-type: none"> • Appliance is so quiet that most of the time you will hear low or no operating noise. • Appliance may be in defrost cycle when compressor motor does not operate for about 30 minutes. • Controls are set to OFF. Press ON/OFF button on control panel. • If interior light is not on, appliance may not be plugged in at electrical outlet. Push the plug completely into the electrical outlet. • The ELCB circuit breaker is tripped. Replace fuse or reset the breaker. • The appliance is in showroom mode. Unplug it and plug it back in.
VIBRATION OR RATTLING (Slight vibration is normal.)	<ul style="list-style-type: none"> • Adjust the leveling legs as shown in the Installation Instructions.
COMPRESSOR MOTOR OPERATES FOR LONG PERIODS OR CYCLES ON AND OFF FREQUENTLY	<ul style="list-style-type: none"> • Normal when appliance is first plugged in. Wait 24 hours for the appliance to completely cool down. • Often occurs when large amounts of food are placed in appliance. This is normal. • Door left open or package holding door open. • Hot weather or frequent door openings. This is normal. • Temperature control set at the coldest setting. See Temperature Control.
COMPARTMENT TOO WARM	<ul style="list-style-type: none"> • Temperature control not set cold enough. See Temperature Control. Allow 12–24 hours for temperature to change. • Warm weather or frequent door openings. • Door left open for long time. • Package may be holding door open. • Thermistor may be blocked, which can affect the overall temperature. The thermistor is located on the right hand side just above the third shelf.
APPLIANCE HAS ODOR	<ul style="list-style-type: none"> • Interior needs cleaning. See Care and Cleaning. • Keep open box of baking soda in appliance; replace every 3 months.
DOOR NOT CLOSING PROPERLY	<ul style="list-style-type: none"> • Door gasket is sticking or folding over. Apply petroleum jelly or paraffin wax to the face of the gasket. • The door is hitting an internal component inside the appliance. Adjust interior components to prevent interference.
MOISTURE FORMS ON OUTSIDE OF APPLIANCE	<ul style="list-style-type: none"> • Not unusual during periods of high humidity. Wipe surface dry. • Door left open or package holding door open.
FROST OR MOISTURE COLLECTS INSIDE	<ul style="list-style-type: none"> • Too frequent or too long door openings. • In humid weather, air carries moisture into appliance when door is opened. • Temperature control is set at coldest setting. • Thermistor may be blocked, which can affect the overall temperature. The thermistor is located on the right hand side just above the third shelf.

The Problem Solver

Outdoor/Indoor Refrigerator

*Questions?
Use this
problem
solver!*

PROBLEM	POSSIBLE CAUSE
INTERIOR LIGHT DOES NOT WORK	<ul style="list-style-type: none"> • No power at outlet. • Light bulb needs replacing. See Care and Cleaning. • Controls are set to OFF. Press ON/OFF pad on control panel.
HOT AIR FROM BOTTOM OF APPLIANCE	<ul style="list-style-type: none"> • Normal air flow cools the motor. In the refrigeration process, it is normal that heat be expelled in the area under the appliance. Some floor coverings are sensitive and will discolor even at these safe and normal temperatures.
APPLIANCE NEVER SHUTS OFF BUT TEMPERATURES ARE OK	<ul style="list-style-type: none"> • Adaptive defrost keeps compressor running during door openings. This is normal. The appliance will cycle off after the door remains closed for two hours. • Normal operation in extreme temperatures.
ACTUAL TEMPERATURE NOT EQUAL TO SET TEMPERATURE	<ul style="list-style-type: none"> • Unit just plugged in. Allow 24 hours for the system to stabilize. • Door open for too long. Allow 24 hours for the system to stabilize. • Warm contents added to appliance. Allow 24 hours for the system to stabilize. • Defrost cycle is in process. Allow 24 hours for the system to stabilize. • Thermistor may be blocked, which can affect the overall temperature. The thermistor is located on the right hand side just above the third shelf.
TEMPERATURE WILL NOT ADJUST	<ul style="list-style-type: none"> • Temperature may be in lockout mode. Press both + and – pads for 5 seconds to unlock the temperature. • Thermistor may be blocked, which can affect the overall temperature. The thermistor is located on the right hand side just above the third shelf.



Monogram®

*GE Consumer & Industrial
Louisville, KY 40225*

©2004 GE Company

139756/en (11-05)