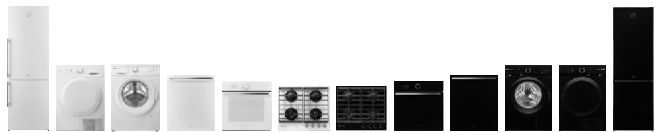
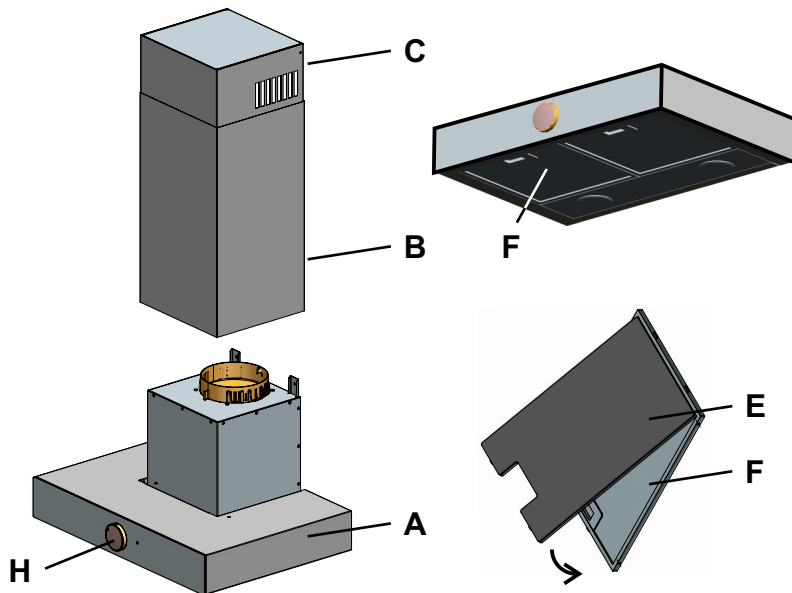




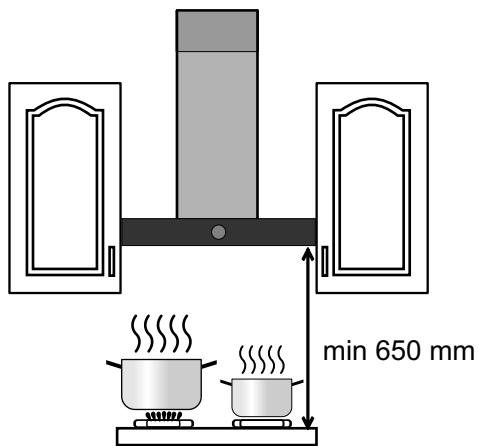
Instructions for Use



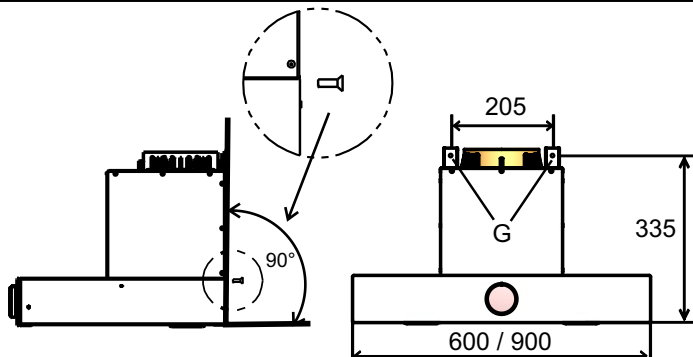
1



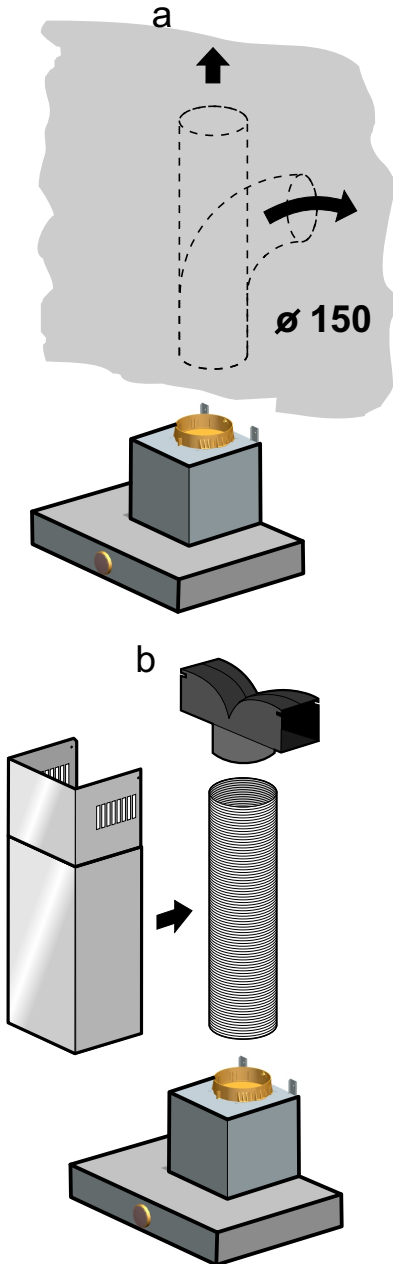
2



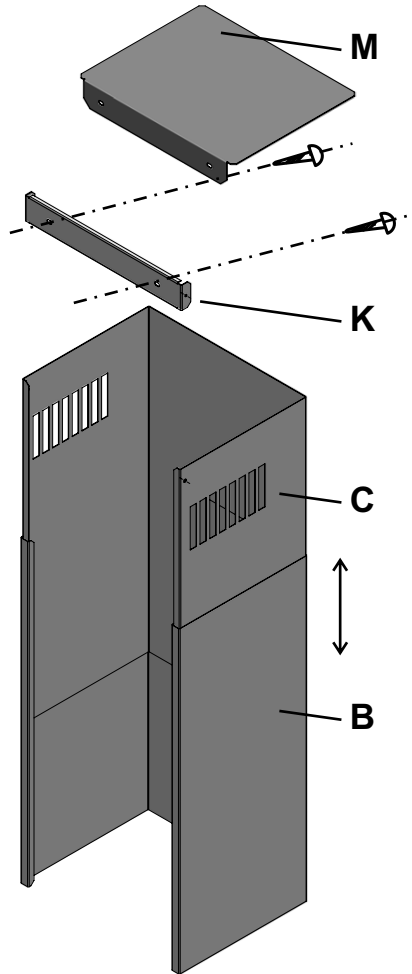
3



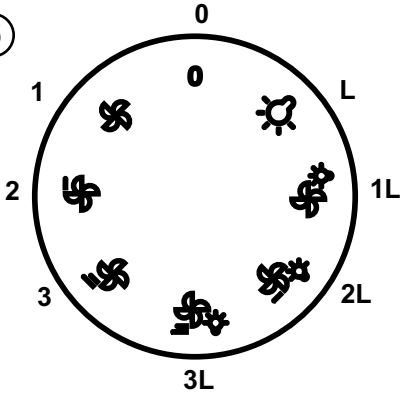
④



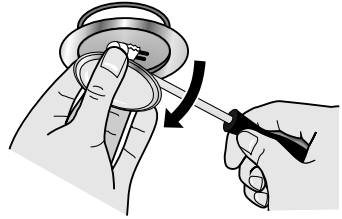
⑤



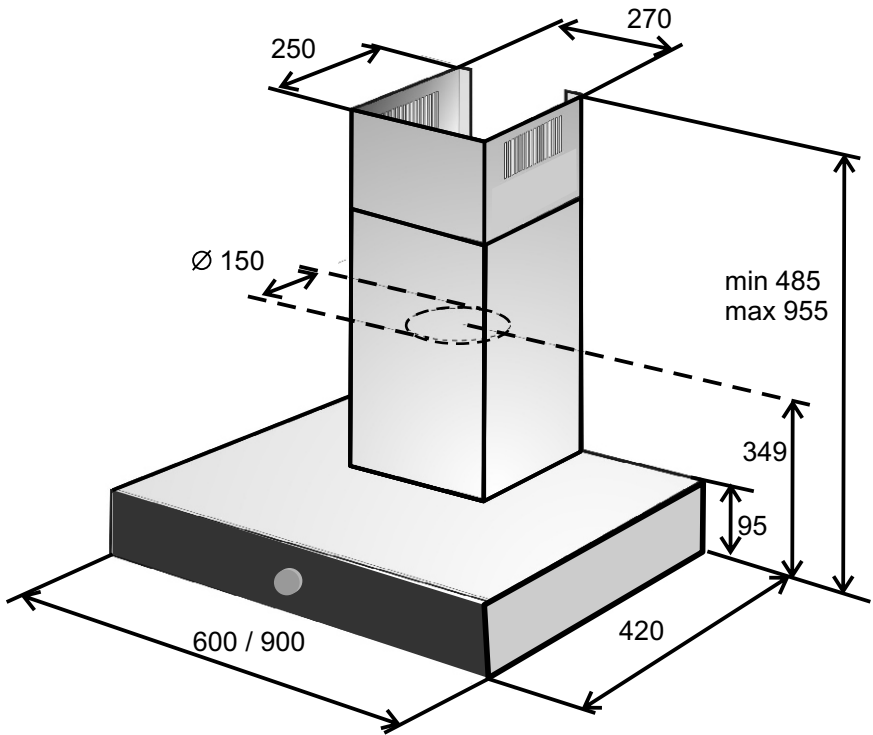
⑥



⑦



⑧



OPERATION AND MAINTENANCE MANUAL

Dear customer,

You have purchased a product of our new series of cooker hoods. We hope that our product will serve you well and for long time. We recommend you to study these instructions and to operate this product according to them.

IMPORTANT INFORMATION AND RECOMMENDATIONS

- The cooker hood should not be connected to smoke flue, which is used for combustion exhaust
- The appliance can be used in exhaust mode (the exhaustion of exhalations into waste air stack) or, after additional buying of carbon filter and recirculation set in recirculation mode (circulation through carbon filter).
- If there is in operation simultaneously with the cooker hood (in exhaustion mode) appliance of type B in the same room - heat source (for instance with gas, oil, diesel fuel or with solid fuel), which draw combustion air directly from the room, then it should be taken into account, that these appliances create at combustion a certain level of under-pressure. Therefore it is necessary to provide a sufficient inflow of air (from the outside environment).
- Do not handle with open flame under the cooker hood (for instance at flambéing etc.)!
- The big fat deposits from roasting on the grease filter should be regularly removed.
- Follow the below determined instructions at replacing of filters.
- This appliance should be operated with adults only.
- This appliance is designed for normal household use.
- This appliance is not designed for use with persons (including children), their physical, sensual or mental disability or lack of experience and knowledge hinders the safe use of appliance, except when they are under supervision or they were introduced concerning use of appliance with the person responsible for their safety. The children should be supervised for ensure, that they would not play with the appliance.
- The accessible parts could be hot at using of cooking devices.
- The cooker hood is an electric appliance with Y – type connection. If the power cord is damaged, it should be replaced with the producer, his/her service technician or with similarly qualified person, for to prevent the creation of dangerous situation.
- The producer is not responsible for damages caused with faulty installation or faulty using of appliance.

ATTENTION

- Plug in cooker hood to the net before fixing on the wall and check function of motor (all speeds) and function of lights.
- Check whether motor is not too noisy, whether have regular running.
- Do not remove protection foil from cooker hood and decoration chimney.
- Check if carton box is not damaged, check surface of cooker hood if there are not scratches or dishing.
IN CASE OF FAILS DO NOT FIX COOKER HOOD ON THE WALL AND CLAIMED IT AT YOUR SALER!!!
- Fix the cooker hood on the wall with protection foil. After fixing and setting right height of decoration chimney remove protection foil.
- Do not move with decoration chimney without protection foil. In other case there will be scratches on surface.

Following these instructions you avoid useless claiming.

DESCRIPTION (FIG.1)

A – Cooker hood
B – Lower part of decoration chimney
C – Upper part of decoration chimney
E – Carbon filter (for recirculation only)
F – Grease filter – metal cassette
M - Cover of decorative chimney
H - Switch

ELECTRIC CONNECTION

- Check before installation of appliance that the voltage in your power net corresponds to data given on the production sheet inside of the appliance.
- The appliance is provided with a power cord is ended with a plug – class I. of protection against electric shock.
- Connect the appliance to a socket corresponding to valid national standards.

INSTALLATION

The distance between the cooker hood and the hotplate should not be less as 650mm (fig.2).

ATTENTION

- The attached dowels and screws are designed for fastening of cooker hood on a wall from concrete or full bricks. For other wall material a corresponding type and size of dowels and screws should be used.
- **Leave the fastening of cooker hood to a specialist!**

MOUNTING OF COOKER HOOD

- Unpack the appliance from packaging.
- Drill holes for fasteners according to the drawing 3.
- Tap the fasteners to drilled holes.
- Fix the appliance with provided screws through holes "G".

IMPORTANT

The horizontal location of cooker hood should be observed.

THE EXHAUSTION VERSION

- At use of exhaustion version (see fig. 4) the exhalations are led into the exhaustion opening with the exhaustion hose, which is connected to the cooker hood with a flange. The exhaustion hose and the fastening clips should be bought additionally.
- The exhaustion is provided through the upper outlet of the cooker hood, on which the exhaustion hose should be connected and the other end of hose should be connected into the exhaustion opening. The diameter of exhaustion hose should be the same as the diameter of connecting flange – e.g. Ø 150mm, or Ø 120mm with a reduction piece (if you use connection hose Ø 120mm, you will decrease exhaust capacity and increase noise level).

MOUNTING OF EXHAUSTION VERSION AND OF DECORATION CHIMNEY

- Fasten with help of a hose clip on the hinged on cooker hood the one end of exhaustion hose, fasten the other end into the exhaustion opening.
- Both parts (the upper C and lower B) of decoration chimney, shifted one to the other, place on the hinged on cooker hood.
- Shift the upper part C into the required height, mark the upper location and mark the fastening openings of console (K).
- Remove the decoration chimney and bore the marked openings for the dowels.
- Screw on the console (K) together with cover of decoration chimney (M).
- Fasten once more the both parts of decoration chimney, shift out its upper part and fasten to the console with two screws.

IMPORTANT

Remove protection foil from decoration chimney not until last assembly of decoration chimney!

IMPORTANT!

The carbon filter should not be installed in the cooker hood at exhaustion version.

RECIRCULATION VERSION

- A carbon filter and recirculation set should be bought for the cooker hood in recirculation version (fig. 9). The exhalations are exhausted through the carbon filter.(fig. 1 (E)) The circulation

air with removed smell is led with exhausted hose through air spreader to the ventilation openings in upper part of decorative chimney to the room.

- This version is used in cases, when there is no waste air stack at disposal.

CAUTION!

The carbon filter should be installed in the cooker hood at recirculation.

SETTING THE POWER LEVEL

- Power level 1, 2, 3 is set by turning the control knob.
- If the control knob is set on 1L, 2L, 3L ventilation and light is powered together.

TURNING ON THE LIGHTS

Light is ON when the control knob is in position "L".

TURNING OFF THE HOOD

The hood is OFF when the control knob is in position "0".

MAINTENANCE AND CLEANING

- At cleaning or maintenance switch the appliance off from the power and this with disconnecting from the socket or with switching off of corresponding circuit breaker.
- The regular maintenance and cleaning ensure the efficiency, reliability and longer lifetime of cooker hood.
- Pay special attention to grease filter and to carbon filter.
- For cleaning of cooker hood do not use cleaning articles containing aggressive substances mainly chlorine and dissolvents.

GREASE METAL FILTER

- The grease metal filter (F) catches the fat particles.
- The metal filter should be cleaned manually or in dishwasher (at 65°C) with use of appropriate detergents.
- The filter can slightly change its color when washed in dishwasher; nevertheless this fact has no influence to its functionality.
- Let the filter thoroughly dry after washing and return it to cooker hood in dry state only.

CASSETTE CARBON FILTER

- The carbon filter (E) absorbs the kitchen smell.
- The carbon filter should be never washed!

INSTALLATION OF CASSETTE CARBON FILTER

- Disconnect the appliance from the power net.
- Take out the grease filter (F) and fasten the cassette carbon filter (E) to its internal side – see the picture.

NOTICE!

The caught fat in the filter has influence not only to the effectiveness of cooker hood but at neglected maintenance could cause also a fire! Therefore we recommend the observation of instructions for cleaning and changing of filters.

LIQUIDATION OF CARBON FILTERS AFTER FINISHED LIFETIME

- The used filters can be put to normal household waste.
- The liquidation should be provided in concordance with the corresponding national standards and regulations.

LIGHTING

The cooker hood has halogen bulbs 2 x 20 W (type 12V/20W - G4).

REPLACING OF HALOGEN BULB (FIG. 7)

- Disconnect the cooker hood from the power net.
- Shift a flat piece (a small screwdriver or flat knife) carefully between the rings of halogen lighting. With slight lever action make free the internal ring with the glass cover of lighting.
- Provide the replacement of halogen bulb.
- Return back the ring with the glass cover of lighting to original location.

CAUTION!

Do not touch the halogen bulbs with your naked fingers

CLEANING

- Clean regularly the internal and external parts of cooker hood with soft cleaning agents.
- Never use abrasive cleaning means.
- Clean the glass surfaces with special means for glass, mirrors and windows.

METHOD OF USE AND LIQUIDATION OF PACKAGING

Grooved cardboard, packaging paper

- sale to waste collecting company
- to collecting vessels for used paper
- other reuse

Polystyrene

- to corresponding collecting vessels

Packaging foil and PE backs

- to collecting vessels for plastic

LIQUIDATION OF APPLIANCE AFTER FINISHING OF USE



This appliance is marked in accordance with Directive 2012/19/EU on manipulation with waste from electric and electronic equipment – WEEE. This directive determines the unified European (EU) frame for collection and recycling of used equipment.

The appliance contains valuable materials which should be reused after finishing of their use. Please give your used appliance to waste processing company.

CLAIMS

If there is any defect on the appliance within the guarantee period, do not repair it self. Apply a claim in the shop in which you bought the appliance or at service representatives, mentioned in the Guarantee conditions.

At applying of claim observe the text of Guarantee sheet and Guarantee conditions.

REMARK

The producer reserves the right for providing of minor changes, resulting from innovations or from technologic modifications of the product.

BASIC TECHNICAL DATA

Type	DT6SY2W DT6SY2B
Quantity of motors	1
Max. motor capacity	200W
Lighting - halogen	2 x 20W
Total power consumption of cooker hood	240W
Electric voltage	230V ~
Protection class against electric shock	I.
Dimensions (mm): w x d x h (Fig. 8)	600 x 420 x 352
Noise level	66dBA
Color – version	Inox – glass
Grease filter	2 pc – metal
Control	SWITCH
Number of capacity levels	3
Exhaustion	Ø 150mm
Exhaustion with reduction	Ø 120mm
Exhaustion	- UPPER -RECIRCULATION

ACCESSORIES OF COOKER HOOD

Dowels and screws for mounting of cooker hood on a wall and screws for fastening of decoration chimney

Screws 5 x 50mm (4 pieces)

Screw 3,9 x 8mm (2pc)

Dowels H 8 (4 pieces)

Upper cover of decoration chimney for recirculation

Console for fastening of decoration chimney

Decoration chimney (2 pieces)

Backflow valve – is integral part of ventilator motor

Reduction Ø 150 / 120mm

*The declared noise emission level of this appliance is 66 dB(A), what represents the A level of acoustic power in comparison to reference acoustic power 1pW.

ACCESSORIES OF COOKER HOOD FOR ORDERING

Carbon filter – set - SAP 428642

Exhaustion hose
Ø 120 or Ø 150 mm + fastening clip

Recirculation set - SAP 431926

435005en

BASIC TECHNICAL DATA

Type	DT9SY2B
Quantity of motors	1
Max. motor capacity	200W
Lighting - halogen	2 x 20W
Total power consumption of cooker hood	240W
Electric voltage	230V ~
Protection class against electric shock	I.
Dimensions (mm): w x d x h (Fig. 8)	900 x 420 x 352
Noise level	66dBA
Color – version	Inox – glass
Grease filter	3 pc – metal
Control	SWITCH
Number of capacity levels	3
Exhaustion	Ø 150mm
Exhaustion with reduction	Ø 120mm
Exhaustion	- UPPER -RECIRCULATION

BASIC TECHNICAL DATA

Type	DT9SY2W
Quantity of motors	1
Max. motor capacity	200W
Lighting - halogen	2 x 20W
Total power consumption of cooker hood	240W
Electric voltage	220 – 240 V ~
Protection class against electric shock	I.
Dimensions (mm): w x d x h (Fig. 8)	900 x 420 x 352
Noise level	66dBA
Color – version	Inox – glass
Grease filter	3 pc – metal
Control	SWITCH
Number of capacity levels	3
Exhaustion	Ø 150mm
Exhaustion with reduction	Ø 120mm
Exhaustion	- UPPER -RECIRCULATION

FICHE				
	Symbol	Unit	Value	Value
Supplier's name or trade mark			GORENJE	GORENJE
Model identification			DT6SY2W DT6SY2B	DT9SY2W DT9SY2B
Annual energy consumption	AEC_{hood}	kWh/annum	126,3	123,8
Energy Efficiency class			D	D
Fluid dynamic efficiency	FDE_{hood}	%	15,3	16
Fluid Dynamic Efficiency class			D	D
Lighting efficiency	LE_{hood}	Lux/W	13,6	8,7
Lighting Efficiency class			D	E
Grease filtering efficiency	GFE_{hood}	%	85	85
Grease Filtering Efficiency class			C	C
Air flow - at minimum speed in normal use		m ³ /h	201	198
Air flow - at maximum speed in normal use		m ³ /h	618	630
Air flow - at intensive or boost setting		m ³ /h	-	-
Sound power, at minimum speed available in normal use	A	dB	46	46
Sound power, at maximum speed available in normal use	A	dB	66	66
Sound power, at intensive or boost setting	A	dB	-	-
Measured power consumption off mode	P_o	W	0	0
Measured power consumption in standby mode	P_s	W	-	-
Time increase factor	f		1,5	1,4
Energy efficiency index	EEl_{hood}	%	91,4	90,1
Measured air flow rate at best efficiency point	Q_{BEP}	m ³ /h	346	350
Measured air pressure at best efficiency point	P_{BEP}	Pa	291	300
Maximum air flow	Q_{max}	m ³ /h	617	630
Measured electric power input at best efficiency point	W_{BEP}	W	183	182
Nominal power of the lighting system	W_L	W	40	40
Average illumination of the lighting system on the cooking surface	E_{middle}	Lux	545	347
Sound power level	L_{WA}	dB	66	66

www.gorenje.com



EN

OP DT6SY2W, DT6SY2B, DT9SY2W, DT9SY2B / 2015 06 20/ SAP 435005