

Hisense

Dehumidifier Use & Care Guide

Thank you very much for purchasing this dehumidifier. Please read this use and care guide carefully before using this appliance and keep this manual for future reference.

ENGLISH

ITALIANO

ESPAÑOL

FRANÇAIS

РУССКИЙ ЯЗЫК

DEUTSCH

SERBIAN

TABLE OF CONTENTS

PRODUCT OVERVIEW	1
SAFETY PRECAUTIONS	2
DEHUMIDIFIER SAFETY	9
INSTALLATION REQUIREMENTS	12
Electrical Requirements	12
Location Requirements	12
DEHUMIDIFIER USE	13
Setting the Controls	13
Draining the Dehumidifier	15
Normal Sounds	16
DEHUMIDIFIER CARE	17
Cleaning the Air Filter	17
Cleaning the Dehumidifier	17
TROUBLE SHOOTING	18

SAFETY INSTRUCTIONS

This appliance can be used by children aged from 8 years and above and persons with reduced physical, sensory or mental capabilities or lack of experience and knowledge if they have been given supervision or instruction concerning use of the appliance in a safe way and understand the hazards involved. Children shall not play with the appliance. Cleaning and user maintenance shall not be made by children without supervision.

Children should be supervised to ensure that they do not play with the appliance. If the supply cord is damaged, it must be replaced by the manufacturer, its service agent or similarly qualified persons in order to avoid a hazard. The appliance shall be installed in accordance with national wiring regulations. The range of external static pressures is -0.2Pa to 0.2Pa. Keep the unit 5m or more apart from combustible surfaces.

Do not operate your air conditioner in a wet room such as a bathroom or laundry room.

SAFEGUARDING THE ENVIRONMENT

This appliance is made of recyclable or re-usable material. Scrapping must be carried out in compliance with local waste disposal regulations. Before scrapping it, make sure to cut off the mains cord so that the appliance cannot be re-used.

For more detailed information on handling and recycling this product, contact your local authorities who deal with the separate collection of rubbish or the shop where you bought the appliance.

SCRAPPING OF APPLIANCE

This appliance is marked according to the European Directive 2012/19/EU, Waste Electrical and Electronic Equipment (WEEE).

This marking indicates that this product should not be disposed with other household wastes throughout the EU. To prevent possible harm to the environment or human health from uncontrolled waste disposal, recycle it responsibly to promote the sustainable reuse of material resources. To return your used device, please use the return and collection systems or contact the retailer where the product was purchased.





They can take this product for environmental safe recycling.



CAUTION

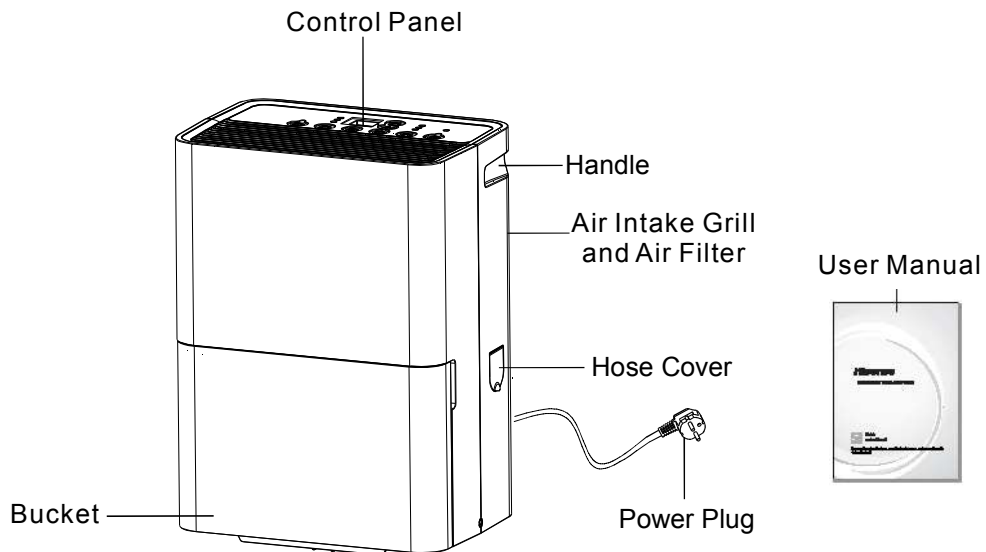
- Do not use means to accelerate the defrosting process or to clean, other than those recommended by the manufacturer.
- The appliance shall be stored in a room without continuously operating ignition sources (for example: open flames, an operating gas appliance or an operating electric heater).
- Do not pierce or burn.
- Be aware that refrigerants may not contain an odour.
- The appliance shall be installed, operated and stored in a room with a floor area larger than 5 m².
- Spaces where refrigerant pipes shall be compliance with national gas regulations.
- Servicing shall be performed only as recommended by the manufacturer.
- The appliance shall be stored in a well-ventilated area where the room size corresponds to the room area as specified for operation.
- All working procedure that affects safety means shall only be carried by competent persons.
- The appliance shall be stored in a room without continuously operating open flames (for example an operating gas appliance) and ignition sources (for example an operating electric heater).
- The appliance shall be so as to prevent mechanical damage from occurring.
- Any person who is involved with working on or breaking into a refrigerant circuit should hold a current valid certificate from an industry-accredited assessment authority, which authorises their competence to handle refrigerants safely in accordance with an industry recognised assessment specification.
- Servicing shall only be performed as recommended by the equipment manufacturer. Maintenance and repair requiring the assistance of other skilled personnel shall be carried out under the supervision of the person competent in the use of flammable refrigerant.

Explanation of symbols displayed on the appliance:

 Caution, risk of fire	WARNING	This symbol shows that this appliance uses a flammable refrigerant. If the refrigerant is leaked and exposed to an external ignition source, there is a risk of fire
	CAUTION	This symbol shows that the operation manual should be read carefully.
	CAUTION	This symbol shows that a service personnel should be handling this equipment with reference to the installation manual.
	CAUTION	This symbol shows that information is available such as the operating manual or installation manual.

Fuse parameter of the machine: (T2.5A, 250V).

PRODUCT OVERVIEW



NOTE:

The figures in this manual are based on the external view of a standard model. They may differ from that dehumidifier you have selected.

SAFETY PRECAUTIONS

Precautions for using R290 refrigerant

The basic installation work procedures are the same as the conventional refrigerant (R22 or R410A). However, pay attention to the following points:

CAUTION

1. **Transport of equipment containing flammable refrigerants**
Compliance with the transport regulations
2. **Marking of equipment using signs**
Compliance with local regulations
3. **Disposal of equipment using flammable refrigerants**
Compliance with national regulations
4. **Storage of equipment/appliances**
The storage of equipment should be in accordance with the manufacturer's instructions.
5. **Storage of packed (unsold) equipment**
 - Storage package protection should be constructed such that mechanical damage to the equipment inside the package will not cause a leak of the refrigerant charge.
 - The maximum number of pieces of equipment permitted to be stored together will be determined by local regulations.
6. **Information on servicing**
 - 6-1 **Checks to the area**
Prior to beginning work on systems containing flammable refrigerants, safety checks are necessary to ensure that the risk of ignition is minimised. For repair to the refrigerating system, the following precautions shall be complied with prior to conducting work on the system.
 - 6-2 **Work procedure**
Work shall be undertaken under a controlled procedure so as to minimise the risk of flammable gas or vapour being present while the work is being performed.
 - 6-3 **General work area**
 - All maintenance staff and others working in the local area shall be instructed on the nature of work being carried out. Work in confined spaces shall be avoided.
 - The area around the workspace shall be sectioned off. Ensure that the conditions within the area have been made safe by control of flammable material.
 - 6-4 **Checking for presence of refrigerant**
 - The area shall be checked with an appropriate refrigerant detector prior to and during work, to ensure the technician is aware of potentially flammable atmospheres.
 - Ensure that the leak detection equipment being used is suitable for use with flammable refrigerants, i.e. non-sparking, adequately sealed or intrinsically safe.

 **CAUTION**

6-5 Presence of fire extinguisher

- If any hot work is to be conducted on the refrigeration equipment or any associated parts, appropriate fire extinguishing equipment shall be available to hand.
- Have a dry powder or CO2 fire extinguisher adjacent to the charging area.

6-6 No ignition sources

- No person carrying out work in relation to a refrigeration system which involves exposing any pipe work that contains or has contained flammable refrigerant shall use any sources of ignition in such a manner that it may lead to the risk of fire or explosion.
- All possible ignition sources, including cigarette smoking, should be kept sufficiently far away from the site of installation, repairing, removing and disposal, during which flammable refrigerant can possibly be released to the surrounding space.
- Prior to work taking place, the area around the equipment is to be surveyed to make sure that there are no flammable hazards or ignition risks. “No Smoking” signs shall be displayed.

6-7 Ventilated area

- Ensure that the area is in the open or that it is adequately ventilated before breaking into the system or conducting any hot work.
- A degree of ventilation shall continue during the period that the work is carried out.
- The ventilation should safely disperse any released refrigerant and preferably expel it externally into the atmosphere.

6-8 Checks to the refrigeration equipment

- Where electrical components are being changed, they shall be fit for the purpose and to the correct specification.
- At all times the manufacturer's maintenance and service guidelines shall be followed. If in doubt consult the manufacturer's technical department for assistance.
- The following checks shall be applied to installations using flammable refrigerants:
 - The charge size is in accordance with the room size within which the refrigerant containing parts are installed;
 - The ventilation machinery and outlets are operating adequately and are not obstructed;
 - If an indirect refrigerating circuit is being used, the secondary circuit shall be checked for the presence of refrigerant;
 - Marking to the equipment continues to be visible and legible. Markings and signs that are illegible shall be corrected;
 - Refrigeration pipe or components are installed in a position where they are unlikely to be exposed to any substance which may corrode refrigerant containing components, unless the components are constructed of materials

 **CAUTION**

which are inherently resistant to being corroded or are suitably protected against being so corroded.

6-9 Checks to electrical devices

- Repair and maintenance to electrical components shall include initial safety checks and component inspection procedures.
- If a fault exists that could compromise safety, then no electrical supply shall be connected to the circuit until it is satisfactorily dealt with.
- If the fault cannot be corrected immediately but it is necessary to continue operation, an adequate temporary solution shall be used.
- This shall be reported to the owner of the equipment so all parties are advised.
- Initial safety checks shall include:
 - That capacitors are discharged: this shall be done in a safe manner to avoid possibility of sparking;
 - That there no live electrical components and wiring are exposed while charging, recovering or purging the system;
 - That there is continuity of earth bonding.

7. Repairs to sealed components

- During repairs to sealed components, all electrical supplies shall be disconnected from the equipment being worked upon prior to any removal of sealed covers, etc.
- If it is absolutely necessary to have an electrical supply to equipment during servicing, then a permanently operating form of leak detection shall be located at the most critical point to warn of a potentially hazardous situation.
- Particular attention shall be paid to the following to ensure that by working on electrical components, the casing is not altered in such a way that the level of protection is affected.
- This shall include damage to cables, excessive number of connections, terminals not made to original specification, damage to seals, incorrect fitting of glands, etc.
- Ensure that apparatus is mounted securely.
- Ensure that seals or sealing materials have not degraded such that they no longer serve the purpose of preventing the ingress of flammable atmospheres.
- Replacement parts shall be in accordance with the manufacturer's specifications.

NOTE:

The use of silicon sealant may inhibit the effectiveness of some types of leak detection equipment. Intrinsically safe components do not have to be isolated prior to working on them.

8. Repair to intrinsically safe components

- Do not apply any permanent inductive or capacitance loads to the circuit without ensuring that this will not exceed the permissible voltage and current permitted for the equipment in use.
- Intrinsically safe components are the only types that can be worked on while

 **CAUTION**

live in the presence of a flammable atmosphere. The test apparatus shall be at the correct rating.

- Replace components only with parts specified by the manufacturer.
- Other parts may result in the ignition of refrigerant in the atmosphere from a leak.

9. Cabling

- Check that cabling will not be subject to wear, corrosion, excessive pressure, vibration, sharp edges or any other adverse environmental effects.
- The check shall also take into account the effects of aging or continual vibration from sources such as compressors or fans.

10. Detection of flammable refrigerants

- Under no circumstances shall potential sources of ignition be used in the searching for or detection of refrigerant leaks.
- A halide torch (or any other detector using a naked flame) shall not be used.

11. Leak detection methods

- The following leak detection methods are deemed acceptable for systems containing flammable refrigerants:
 - Electronic leak detectors shall be used to detect flammable refrigerants, but the sensitivity may not be adequate, or may need re-calibration. (Detection equipment shall be calibrated in a refrigerant-free area.)
 - Ensure that the detector is not a potential source of ignition and is suitable for the refrigerant used.
 - Leak detection equipment shall be set at a percentage of the LFL of the refrigerant and shall be calibrated to the refrigerant employed and the appropriate percentage of gas (25 % maximum) is confirmed.
 - Leak detection fluids are suitable for use with most refrigerants but the use of detergents containing chlorine shall be avoided as the chlorine may react with the refrigerant and corrode the copper pipe-work.
 - If a leak is suspected, all naked flames shall be removed/ extinguished.
 - If a leakage of refrigerant is found which requires brazing, all of the refrigerant shall be recovered from the system, or isolated (by means of shut off valves) in a part of the system remote from the leak.
 - Oxygen free nitrogen (OFN) shall then be purged through the system both before and during the brazing process.

12. Removal and evacuation

- When breaking into the refrigerant circuit to make repairs – or for any other purpose – conventional procedures shall be used.
- However, it is important that best practice is followed since flammability is a consideration.
- The following procedure shall be adhered to:
 - Remove refrigerant;
 - Purge the circuit with inert gas;

 **CAUTION**

- Evacuate;
- Purge again with inert gas;
- Open the circuit by cutting or brazing.
- The refrigerant charge shall be recovered into the correct recovery cylinders.
- The system shall be “flushed” with OFN to render the unit safe.
- This process may need to be repeated several times.
- Compressed air or oxygen shall not be used for this task.
- Flushing shall be achieved by breaking the vacuum in the system with OFN and continuing to fill until the working pressure is achieved, then venting to atmosphere, and finally pulling down to a vacuum.
- This process shall be repeated until no refrigerant is within the system. When the final OFN charge is used, the system shall be vented down to atmospheric pressure to enable work to take place.
- This operation is absolutely vital if brazing operations on the pipe-work are to take place.
- Ensure that the outlet for the vacuum pump is not close to any ignition sources and there is ventilation available.

13. Charging procedures

- In addition to conventional charging procedures, the following requirements shall be followed:
 - Ensure that contamination of different refrigerants does not occur when using charging equipment.
 - Hoses or lines shall be as short as possible to minimise the amount of refrigerant contained in them.
 - Cylinders shall be kept upright.
 - Ensure that the refrigeration system is earthed prior to charging the system with refrigerant.
 - Label the system when charging is complete (if not already).
 - Extreme care shall be taken not to overfill the refrigeration system.
- Prior to recharging the system it shall be pressure tested with OFN.
- The system shall be leak tested on completion of charging but prior to commissioning.
- A follow up leak test shall be carried out prior to leaving the site.

14. Decommissioning

- Before carrying out this procedure, it is essential that the technician is completely familiar with the equipment and all its detail.
- It is recommended good practice that all refrigerants are recovered safely.
- Prior to the task being carried out, an oil and refrigerant sample shall be taken in case analysis is required prior to re-use of reclaimed refrigerant. It is essential that electrical power is available before the task is commenced.
 - a) Become familiar with the equipment and its operation.
 - b) Isolate system electrically.

 **CAUTION**

- c) Before attempting the procedure ensure that:
 - Mechanical handling equipment is available, if required, for handling refrigerant cylinders;
 - All personal protective equipment is available and being used correctly;
 - The recovery process is supervised at all times by a competent person;
 - Recovery equipment and cylinders conform to the appropriate standards.
- d) Pump down refrigerant system, if possible.
- e) If a vacuum is not possible, make a manifold so that refrigerant can be removed from various parts of the system.
- f) Make sure that cylinder is situated on the scales before recovery takes place.
- g) Start the recovery machine and operate in accordance with manufacturer's instructions.
- h) Do not overfill cylinders. (No more than 80 % volume liquid charge).
- l) Do not exceed the maximum working pressure of the cylinder, even temporarily.
- j) When the cylinders have been filled correctly and the process completed, make sure that the cylinders and the equipment are removed from site promptly and all isolation valves on the equipment are closed off.
- k) Recovered refrigerant shall not be charged into another refrigeration system unless it has been cleaned and checked.

15. Labelling

- Equipment shall be labelled stating that it has been de-commissioned and emptied of refrigerant.
- The label shall be dated and signed.
- Ensure that there are labels on the equipment stating the equipment contains flammable refrigerant.

16. Recovery

- When removing refrigerant from a system, either for servicing or decommissioning, it is recommended good practice that all refrigerants are removed safely.
- When transferring refrigerant into cylinders, ensure that only appropriate refrigerant recovery cylinders are employed.
- Ensure that the correct number of cylinders for holding the total system charge is available.
- All cylinders to be used are designated for the recovered refrigerant and labelled for that refrigerant (i.e. special cylinders for the recovery of refrigerant).
- Cylinders shall be complete with pressure relief valve and associated shut-off valves in good working order.
- Empty recovery cylinders are evacuated and, if possible, cooled before recovery occurs.
- The recovery equipment shall be in good working order with a set of

 **CAUTION**

instructions concerning the equipment that is at hand and shall be suitable for the recovery of flammable refrigerants.

- In addition, a set of calibrated weighing scales shall be available and in good working order.
- Hoses shall be complete with leak-free disconnect couplings and in good condition.
- Before using the recovery machine, check that it is in satisfactory working order, has been properly maintained and that any associated electrical components are sealed to prevent ignition in the event of a refrigerant release.
- Consult manufacturer if in doubt.
- The recovered refrigerant shall be returned to the refrigerant supplier in the correct recovery cylinder, and the relevant Waste Transfer Note arranged.
- Do not mix refrigerants in recovery units and especially not in cylinders.
- If compressors or compressor oils are to be removed, ensure that they have been evacuated to an acceptable level to make certain that flammable refrigerant does not remain within the lubricant.
- The evacuation process shall be carried out prior to returning the compressor to the suppliers.
- Only electric heating to the compressor body shall be employed to accelerate this process.
- When oil is drained from a system, it shall be carried out safely.

DEHUMIDIFIER SAFETY

Your safety and safety of others are very important

We have provided many important safety messages in this manual and on your appliance. Always read and follow all safety messages.



This is the safety alert symbol.

This symbol alerts you to potential hazards that can kill or hurt you and others.

All safety messages will follow the safety alert symbol with the word "DANGER" or "WARNING"

These words mean:

⚠ DANGER

A hazard that if not avoided, will result in death or serious injury.

⚠ WARNING

A hazard that if not avoided, could result in death or serious injury.

All safety messages will tell you what the potential hazards are, tell you how to reduce the chance of injury and tell you what can happen if the instructions are not followed.

IMPORTANT SAFETY INSTRUCTIONS

⚠ DANGER To reduce the risk of explosion, fire, death, electric shock, scalding, or injury to persons when using this appliance, follow basic precautions, including the following:

INSTALLATION

- Plug into a grounded 3 prong outlet. Do not remove ground prong.
- Never attempt to operate this appliance if it is damaged, malfunctioning, partially disassembled, or has missing or broken parts, including a damaged cord or plug.
- Do not use an electrical adapter or multiple-outlet adaptors with this dehumidifier.
- Do not use an extension cord.
- Unplug dehumidifier before servicing.
- Do not drink water collected in the water bucket.
- The appliance is not intended for use by young children or impaired people without supervision, young children should be supervised to ensure that they do not play with the appliance.
- When installing or moving the appliance, be careful not to pinch, crush, or damage the power cord.
- Keep packing materials out of the reach of children. Packaging material can be dangerous for children. There is a risk of suffocation.
- Do not use the appliance in standing water or allow the product to be directly splashed by water during use.
- Store and install the appliance where it will not be exposed to temperatures below freezing or exposed to outdoor weather conditions.
- Call an authorized service technician to repair or immediately replace all power cords that have become damaged. Do not use a cord that shows cracks or abrasion damage along its length or at either end.

- Do not use the product if the outlet is damaged or loose.
- In the event of a gas leak (propane gas, LP gas, etc.) do not operate this or any other appliance. Open a window or door to ventilate the area immediately.
- Do not disassemble, repair or modify the product.
- Do not store or use flammable gases or materials near the dehumidifier.

OPERATION

- Read all instructions before using the appliance and save these instructions.
- Do not tamper with controls.
- Push the power plug all the way into the wall outlet so that it is not loose.
- Do not grasp the power cord or touch the appliance controls with wet hands.
- Do not modify or extend the power cord.
- If the product makes a strange noise or emits a smell or smoke, pull the power plug out and contact Hisense customer service.
- Avoid placing the dehumidifier or other heavy objects on top of the power cord.
- Do not use water to clean the dehumidifier.
- Keep the air inlet and outlet free from obstructions.
- Do not cover the power cord with a rug or carpeting. Placing heavy objects on top of the cord could damage it.
- Keep the product away from fire and high heat.
- Do not use the product in places where it could be splashed by water.
- Do not insert fingers, sticks etc. into the air inlet or outlet. The fan is running at high speeds and could cause personal injuries.
- Do not repair or replace any part of the appliance. All repairs and servicing must be performed by qualified service personnel unless specifically recommended in this owner's manual. Use only authorized factory parts.
- Connect to a properly rated, protected, and sized power circuit to avoid electrical overload.

SAVE THESE INSTRUCTIONS

▲ WARNING To reduce the risk of injury to persons, malfunction, or damage to the product or property when using this appliance, follow basic safety precautions, including the following:

INSTALLATION

- Use this appliance only for its intended purpose.
This product is not designed for preserving precision instruments, tableware or art works.
- Never unplug the appliance by pulling on the power cord. Always grip the plug firmly and pull straight out from the outlet.
- Do not use the product in places where chemicals are used.
Chemicals and solvents dissolved in the air could cause product deformation and leaking,
- Turn off the dehumidifier and pull out the power plug before cleaning.
Wait for the fan to stop moving.
- Do not operate the dehumidifier without a filter.
Using the product without a filter could result in a reduced product lifespan, electric shock or injury.

OPERATION

- Do not use the product for preserving animals/plants, precision instruments, art works etc.
- Do not place any objects on top of the dehumidifier.
- Turn off the dehumidifier and empty the water bucket before moving the dehumidifier.
- Pull out the power plug if you will not be using the product for an extended period.
- Do not use the product in a very small space such as a closet.
Poor ventilation could result in overheating.
- Do not use wax, thinner or a strong detergent when cleaning. Wipe the product using a soft cloth.
- Do not use the product in direct sunlight or rain.
- Do not touch the product with wet hands.
- Position the product on a firm, stable surface.
- Remove cable ties and extend power cord before use.
- Do not spray foreign substances or water on the product.

SAVE THESE INSTRUCTIONS


STORAGE AND DISPOSING OF THE UNIT

- Dispose of this appliance in accordance with Federal and Local regulations.
- Refrigerants must be evacuated before disposal.
- Please recycle or dispose of the packaging material of the product in an environment-friendly manner.
- To avoid damage to the compressor, never store or ship the appliance upside down or sideways.

INSTALLATION REQUIREMENTS

Electrical Requirements

⚠ WARNING



Electrical Shock Hazard

Always plug into a grounded three-prong outlet.

Do not remove ground prong.

Do not use an adapter.

Do not use an extension cord.

Failure to follow these instructions can result in death, fire, or electrical shock.

Specific electrical requirements are listed in the chart below. Follow the requirements for the type of plug on the power supply cord.

Power Supply Requirements



- 220-240V ~ / 50Hz
- 15A time-delay fuse or circuit breaker

Recommended Grounding Method

This dehumidifier must be grounded. This dehumidifier is equipped with a power supply cord with a three-prong grounding plug. The cord must be plugged into a mating, grounded three-prong outlet, grounded in accordance with all local codes and ordinances. If a mating outlet is not available, it is the customer's responsibility to have a properly grounded three-prong outlet installed by a qualified electrician.

It is the customer's responsibility:

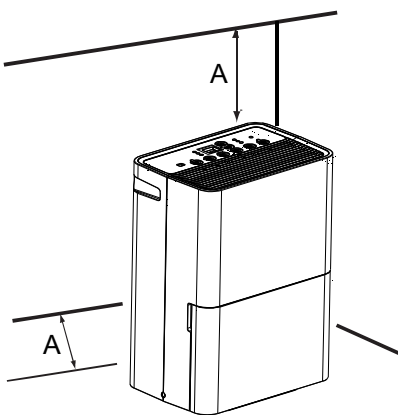
- To contact a qualified electrical installer.
- To assure that the electrical installation is adequate and conforms to the Nation Electrical Code, ANSI/NFPA 70-last edition, and all local codes and ordinances.

Location Requirements

⚠ WARNING To reduce the risk of injury to persons, malfunction, or damage to the product or property when using this appliance, follow basic safety precautions, including the following:

NOTE:

- Your model may differ from the one shown.
- This product cannot be used or stored in a confined space (floor area must larger than 5m²).
- Do not locate outdoors. This dehumidifier is intended for indoor residential use only (It shall be installed, operated and stored in a unconfined space with a floor area larger than 5m²). This dehumidifier is not recommended for commercial use.
- Allow at least 30.5 cm to 45.7 cm of space on the rear and sides of the dehumidifier for models with back louver and above the dehumidifier for models with top louvers.
- You will need a surface strong enough to support the dehumidifier, Do not place on a carpet, Ensure that the dehumidifier is securely placed before running, prevent dumping.
- You will need a surface level enough to keep the water from spilling when the bucket is full of water.
- Do not block the louvers of the unit .
- Never operate this dehumidifier in an area that is likely to accumulate standing water. If this condition develops, for your safety disconnect the power supply before stepping into the water.
- Turn off the dehumidifier, unplug the power supply cord and empty the bucket before moving the unit, prevent the water leakage or electric shock.

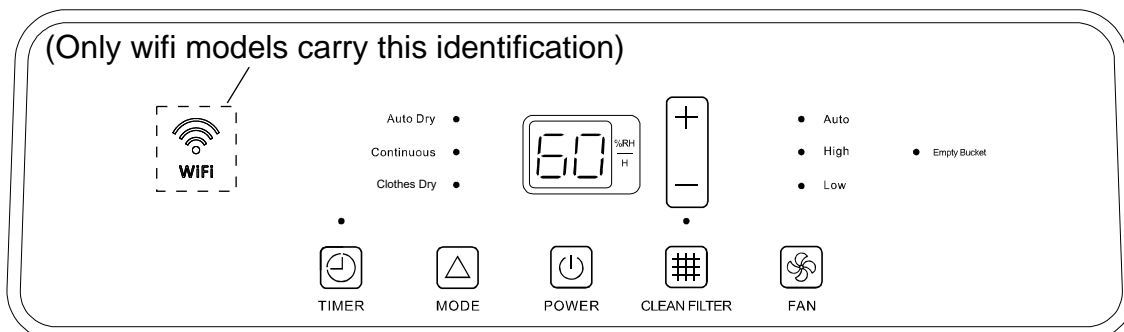


A. 30.5cm to 45.7cm

DEHUMIDIFIER USE

Setting the Controls

Control Panel



NOTE:

- Set point is Relative Humidity: lower is more dry, higher is less dry.
- The control panel of your model may differ from the one shown above.

Starting/Stopping the Dehumidifier

⚠ WARNING The dehumidifier should be upright for at least 2 hours before use.

⚠ WARNING Do not pull out the water bucket during normal use, otherwise there may be electric shock risk. If you want to move the dehumidifier, be sure that pull out the power plug at first.

NOTE:

- Before turning on the dehumidifier, be sure that the bucket is empty and fits all the way into the dehumidifier.
- Each time you unplug the dehumidifier or power is interrupted, the controls will return to the previous settings when power is restored.
- Humidity displayed is between 30% Relative Humidity and 90% Relative Humidity.
- Humidity can be set between 30% Relative Humidity and 80% Relative Humidity.
- It's important to set the desired humidity level to an achievable setting. To ensure energy-efficient operation, only use the dehumidifier in a closed space, with no open windows or other sources of moist air (to avoid continuous running).
- Operating temperature is between 5°C to 32°C. Operating humidity is between 30% RH to 80% RH. At temperatures of 5°C or less, water freezes inside the product. At temperatures over 32°C, the internal temperature of the product trips a protective device which deactivates the product to avoid product damage.
- The compressor has a 3-minute delay before restarting. If the product is stopped and immediately restarted, to protect the compressor there is a 3-minute delay until the compressor restarts.

- When the dehumidifier is operating, the indoor temperature will rise. The dehumidifier does not have a cooling /heating function. Heat is generated during operation, so the room temperature may be increased by about 5°C depending on the usage conditions (indoor temperature, size of the room).

⚠ WARNING



Electric Shock Hazard

Always plug into a grounded three-prong outlet.

Do not remove ground prong.

Do not use an adapter.

Do not use an extension cord.

Failure to follow these instructions can result in death, fire or electric shock.

1. Plug into a grounded three-prong outlet.
2. Press POWER to turn on the dehumidifier.
3. Press FAN to choose the fan speed.
4. Press MODE to choose the mode(Auto Dry/Continuous/Clothes Dry/Manual Set).
5. Press the plus or minus button to set the level of humidity in manual set mode.
6. Press POWER to turn off the dehumidifier.



NOTE:

In the case of a power outage or interruption, the dehumidifier will automatically restart, in the settings last used, after the power is restored.

Fan Speed

1. Press FAN to select fan speed.
2. Choose Low High or Auto .



- Low-Reach the desired humidity setting with lower sound level.
- High-Will more quickly reach the desired humidity setting.
- Auto-Achieves set humidity at normal speed.

NOTE:

Once the relative humidity of the room hit the desired setting, the compressor will stop and the fan will be off periodically.

The fan may periodically turn on, to read the humidity level, without the compressor running.

Desired Humidity-Mode

1. Press MODE to select the desired humidity setting.

- Auto Dry Mode : Auto Dry light is on.
- Continuous Dry Mode:Continuous Dry light is on.
- Clothes Dry Mode:Clothes Dry light is on.
- Manual Set Mode: Auto Dry light and Continuous Dry light and Clothes Dry light are off.



2. Choose Auto Dry, Continuous ,Clothes Dry or Manual Set.

- Auto Dry: The dehumidifier will operate in dry mode only. The fan speed is set automatically. The desired humidity is set to 50% automatically.
- Continuous: The dehumidifier will operated continuously. The fan speed can be adjusted. The desired humidity can not be adjusted.
- Clothes Dry:The dehumidifier operates in a strong dehumidification mode and automatically dry clothes according to the actual room humidity. At the end of the drying operation, the drying mode will automatically exit and the Clothes Dry indicator will start flashing. When you press the mode key again,you will re-enter the drying mode, and the mode indicator will change from flashing to turn on.The desired humidity can not be adjusted.
- Manual Set: The dehumidifier will operate at the selected fan speed to the set humidity level. If the humidity level of the room is higher than the desired humidity setting, the compressor will turn on. If the humidity level of the room is lower than the desired humidity setting, the compressor will turn off, as well as the fan.

NOTE:

The de-icing function will turn off the compressor if a low temperature condition occurs. When the de-icer senses the correct operating temperature, the compressor will cycle back on. Some freezing is normal when dehumidifiers are used at low temperatures.

Empty Bucket Light

If this light is on, the fan and the compressor will

stop running. This light indicates that you need to check:

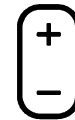
- If the bucket is full, empty and re-install bucket.
- If the bucket is not in position, remove the bucket and re-install it. Make sure the bucket fits all the way into the dehumidifier and the bucket light is off, or dehumidifier will not run.

Power

Press POWER to turn on or turn off the dehumitifier.

**Humidity Level**

1. Press the Plus or Minus button to set the desired humidity level. Desired humidity in the digital display will flash for 5 seconds after operation.



2. Actual room humidity will be displayed after 5 seconds of flashing the desired humidity.

NOTE:

Humidity can only be adjusted manually in Manual Set mode. In Continuous and Auto Dry mode, humidity level is set automatically.

Digital Display

Display shows relative humidity or time (depending on setting).

1. When the dehumidifier operates in Manual Set mode, the display shows the relative humidity of the room.
2. When the timer is selected, the display shows the time when the dehumidifier will turn on or turn off operates, depending on the setting.

**NOTE:**

The humidity displayed is only for reference. For accurate humidity, please check a hygrometer.

Timer

To set Timer for a 30-minute to 24-hour delay before the dehumidifier is turned off (the dehumidifier must be On):

1. Press TIMER. Timer indicator light will come on, and the display will flash. The display will show remaining time before the dehumidifier will turn off.



2. Press the Plus or Minus button to change the delay time, from 30 minutes to 24 hours.

To set Timer to turn on the dehumidifier, with previous setting:

1. Turn off the dehumidifier.
2. Press TIMER. Timer indicator light will flash. The display will show remaining time before the dehumidifier will turn on.
3. Press the Plus or Minus button to change the delay time, from 30 minutes to 24 hours.

To clear the Timer delay program:

NOTE: Dehumidifier can be either on or off.

1. Press TIMER once after it has been programmed. Display will show remaining time.
2. While the display is showing the remaining time, press TIMER again. Timer indicator light will turn off.

To see the remaining time.

Press TIMER once after it has been programmed. Display will show remaining time.

NOTE:

Empty the drain water bucket before setting the timer function. If the water bucket becomes full during the Timer function, the Empty Bucket light goes on and dehumidification stops.

Clean Filter

1. When the Clean Filter indicator light is on, remove, clean and replace the air filter. See "Cleaning the Air Filter".
2. Press the Clean Filter button to reset the filter monitor.



NOTE:

When the light is on, it will remain on for 180 hours or until you press Clean Filter button.

Draining the Dehumidifier

⚠ WARNING

Sickness Hazard

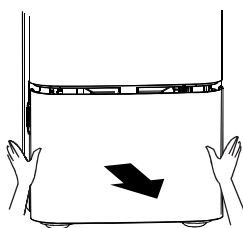
Do not drink water collected in water bucket.

Doing so can result in sickness.

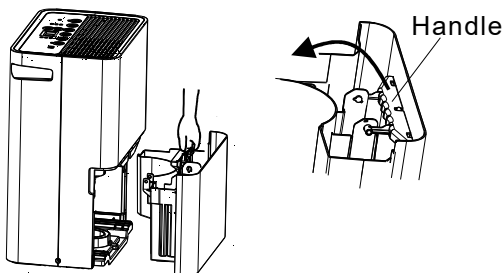
Option 1 Bucket Draining

If a floor drain is not available, or you do not plan to run your dehumidifier continuously, you may want to simply empty the bucket.

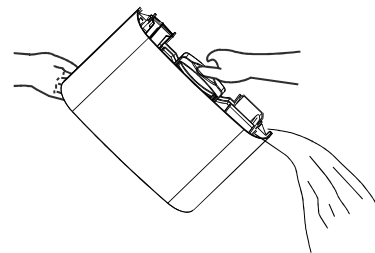
1. Grasp the bucket sides to slide out bucket.



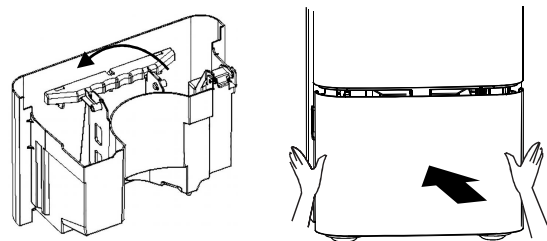
2. Lift the bucket up by the handle.



3. Pour water into a sink or tub.



4. Fold down the handle and reinstall the bucket.



IMPORTANT:

If the Empty Bucket light comes on, the dehumidifier will not operate. The bucket may need to be emptied or re-installed.

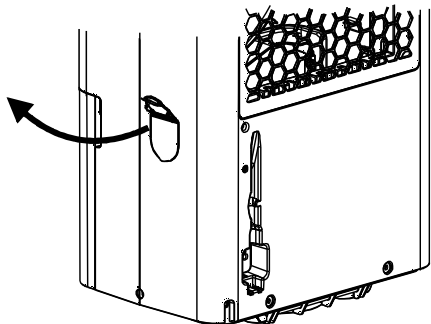
NOTE:

- If the water bucket is removed immediately after turning off the dehumidifier, the water remaining in the heat exchanger may drip inside the water bucket storage area. Remove the water with a soft cloth.
- While cleaning, do not touch the water level float.
- Clean the water bucket once a week during use.
- If the ambient temperature is low, there is less moisture in the air for the product to remove.
- Unplug the product before removing the water bucket. If the bucket is removed while the product is operating, the compressor will stop.

Option 2 Gravity Draining

If you plan to run your dehumidifier continuously, you can choose direct draining by attaching a garden hose to the unit.

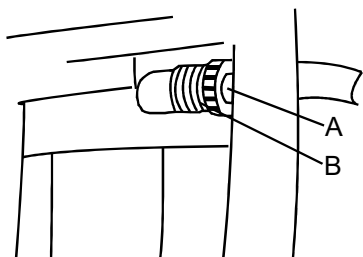
1. Turn off the dehumidifier and unplug the power supply cord.
2. Uncover the connector cover on the side of the unit.



3. Remove bucket.
4. Attach a garden hose to the drain hose connector on the inside of the dehumidifier. Securely attach the hose to be sure there is no water leak.

NOTE:

- The garden hose sold separately.
- And the drain hose inner diameter should be greater than 12.7mm.
- The connector is designed for North American garden hoses only.



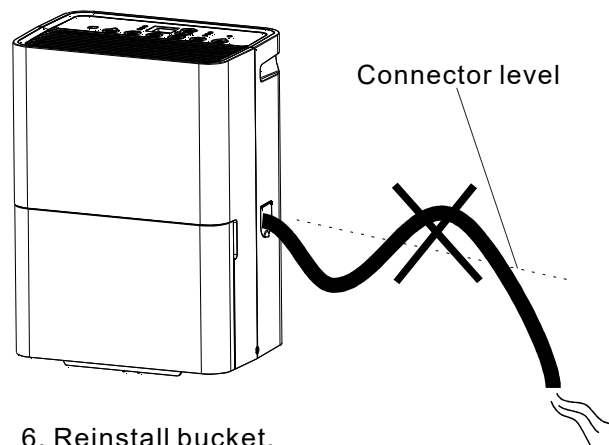
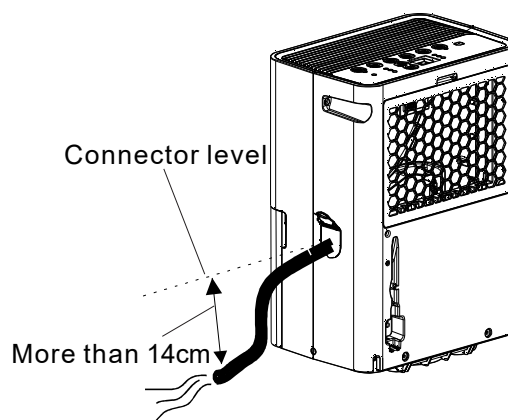
A. Garden hose
B. Drain hose connector

IMPORTANT:

In North America the garden hose connectors are 3/4 diameter straight (non-tapered) thread with a pitch of 4.52 threads per cm (male part has an outer diameter of 26.99mm).

⚠ WARNING Take care not to injure hands while connecting the hose.

5. Place the other end of garden hose into a floor drain. Check to see that the hose lies flat and is in the drain. Make sure all the parts of the hose is on a lower level than the hose connector on the dehumidifier. Also, the outlet of the hose should be at least 14cm lower than the hose connector. The hose should not be kinked or pinched.



6. Reinstall bucket.

NOTE:

- To use the bucket without the garden hose, simply remove the garden hose, then reinstall bucket.
- The bucket must be installed and properly aligned for the dehumidifier to operate with or without a garden hose connected.

Normal Sounds

When your dehumidifier is operating normally, you may hear sounds such as:

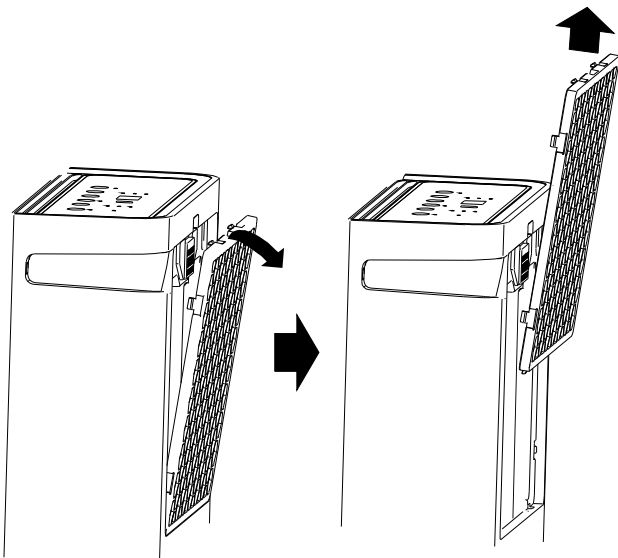
- Compressor sounds, which may be loud.
- Air movement from the fan.
- Clicking sounds when the dehumidifier or compressor turns on and off, and when the Automatic shut-off Switch is working.

DEHUMIDIFIER CARE

Your new dehumidifier is designed to give you many years of dependable service. This section explains how to clean and care for your dehumidifier.

To avoid damage to the compressor, never store or ship the appliance upside down or sideways.

Cleaning the Air Filter



The air filter is removable for easy cleaning. A clean filter helps remove dust, lint, and other particles from the air and is important for best operating efficiency. Check the filter every two weeks to see whether it needs cleaning.

1. Turn off the dehumidifier.
2. Remove the air filter.
3. Use a vacuum cleaner to clean the air filter if the air filter is dirty, wash it in warm water with a mild detergent.
4. Reinstall the air filter.
5. Turn on the dehumidifier.

NOTE:

Do not wash air filter in the dishwasher or use any chemical cleaner. Air dry filter completely before reinstalling to ensure maximum operating efficiency.

Cleaning the Dehumidifier

Exterior

1. Turn off the dehumidifier and unplug the power supply cord.
2. Dust the surface of the unit with a soft cloth or the dusting attachment of your vacuum cleaner.

Water Bucket

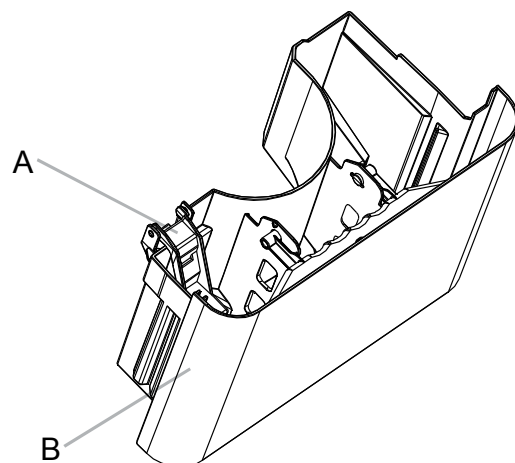
Every few weeks, rinse the inside of the water bucket with a mild detergent to avoid growth of mold, mildew and bacteria.

Water level float

The dehumidifier's water bucket has a water level float. Do not damage or remove the bucket's water level float. If the float is not properly in place, the Empty Bucket light will turn on, preventing operation, and could result in leaking.

NOTE:

Be sure the float is snapped correctly in place.



- A. Water level float
B. Bucket


TROUBLE SHOOTING

Before calling for service, try the suggestions below.

Dehumidifier will not run

- Is the dehumidifier turned on?
Turn on the dehumidifier.

⚠ WARNING



Electrical Shock Hazard

Plug into a grounded three-prong outlet.
Do not remove ground prong.
Do not use an adapter.
Do not use an extension cord.
Failure to follow these instructions can result in death,
fire or electric shock.

- Is the power cord plugged into a grounded three-prong outlet?
Plug into a grounded three-prong outlet. See “Electrical Requirements” on page 12.
- Has a household fuse blown or has a circuit breaker tripped?
Replace the fuse or reset the circuit breaker. If the problem continues, call an electrician. See “Electrical Requirements” on page 12.

- Is the bucket installed properly?
Reinstall the bucket so that it fits all the way into the dehumidifier.
- Does the bucket need to be emptied?
Empty the bucket.
- Is the water level float in place?
Remove the bucket. Make sure the float is snapped in place. Reinstall the bucket.
- Did the dehumidifier suddenly stop operating, and won't turn on?
Confirm the power is connected, and the bucket is in place. If the unit still doesn't operate, call Hisense for Warranty service.

Dehumidifier runs but does not dehumidify

- All models have an automatic de-icing function that will shut off the compressor and allow the fan to run.
When the de-icing function senses the correct operating temperature, the compressor will cycle back on.
- The filter is dirty or obstructed debris.
Clean the filter.

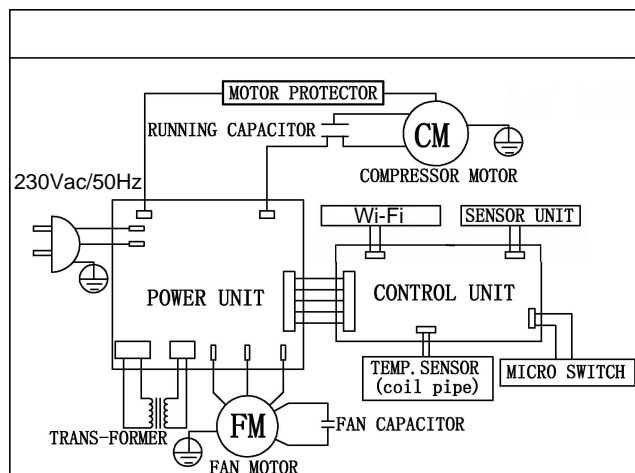
Air coming from the dehumidifier is warm

- Dehumidifier will put out warm air under normal operating conditions.

Dehumidifier displays error codes

- If the dehumidifier displays an error code, please contact Hisense customer service.

CIRCUIT DIAGRAM



Hisense

Deumidificatore Guida all'uso e alla manutenzione

Grazie mille per aver acquistato questo deumidificatore. Leggere attentamente questa guida all'uso e alla manutenzione prima di utilizzare questo apparecchio e conservare questo manuale per riferimenti futuri.

SOMMARIO

PANORAMICA DEL PRODOTTO	1
PRECAUZIONI DI SICUREZZA	2
SICUREZZA DEL DEUMIDIFICATORE	9
REQUISITI PER L'INSTALLAZIONE	12
Requisiti elettrici	12
Requisiti di sicurezza	12
USO DEL DEUMIDIFICATORE	13
Impostazione dei comandi	13
Drenaggio del deumidificatore	15
Suoni normali	16
MANUTENZIONE DEL DEUMIDIFICATORE	17
Pulire il filtro dell'aria	17
Pulizia del deumidificatore	17
RISOLUZIONE DEI PROBLEMI	18

ISTRUZIONI DI SICUREZZA

Questo apparecchio può essere utilizzato da bambini di età superiore agli 8 anni e persone con ridotte capacità fisiche, sensoriali o mentali o mancanza di esperienza e conoscenza, qualora siano controllati o istruiti all'uso dell'apparecchio in modo sicuro e comprendano i rischi derivanti. I bambini non devono giocare con l'apparecchio. La pulizia e la manutenzione da parte dell'utente non devono essere effettuate da bambini non sorvegliati.

I bambini dovrebbero essere supervisionati per assicurarsi che non giochino con l'apparecchio. Se il cavo di alimentazione è danneggiato, deve essere sostituito dal produttore, dal suo servizio di assistenza o da personale qualificato al fine di evitare situazioni pericolose. L'installazione deve essere realizzata in conformità alle normative sul cablaggio nazionali. La gamma di pressioni statiche esterne è compresa tra -0,2Pa e 0,2Pa. Tenere l'unità distante 5m o più dalle superfici combustibili.

Non utilizzare il condizionatore d'aria in una stanza bagnata come un bagno o una lavanderia.

SALVAGUARDIA AMBIENTALE

Questo apparecchio è realizzato in materiale riciclabile o riutilizzabile. Lo smaltimento deve essere effettuato in conformità alle norme vigenti. Prima dello smaltimento, assicurarsi di tagliare il cavo di alimentazione in modo che l'apparecchio non possa essere riutilizzato. Per informazioni più dettagliate sull'uso e il riciclaggio di questo prodotto, contattare le autorità locali che si occupano della raccolta differenziata dei rifiuti o il punto vendita dove è stato acquistato l'apparecchio.

SMALTIMENTO DELL'APPARECCHIO

Questo apparecchio è contrassegnato in conformità alla Direttiva Europea 2012/19/CE, e alle norme sui Rifiuti di Apparecchiature Elettriche ed Elettroniche (RAEE).

Questo simbolo indica che questo prodotto non deve essere smaltito con gli altri rifiuti domestici nel territorio dell'UE. Per prevenire danni all'ambiente o alla salute umana a causa di uno smaltimento non conforme, riciclarlo in modo responsabile per promuovere il sostenibile riutilizzo delle risorse rinnovabili. Per restituire il dispositivo usato, utilizzare i sistemi di restituzione e raccolta o contattare il rivenditore presso il quale è stato acquistato il prodotto.





Essi possono ritirare questo prodotto per un riciclaggio ambientale sicuro.



ATTENZIONE

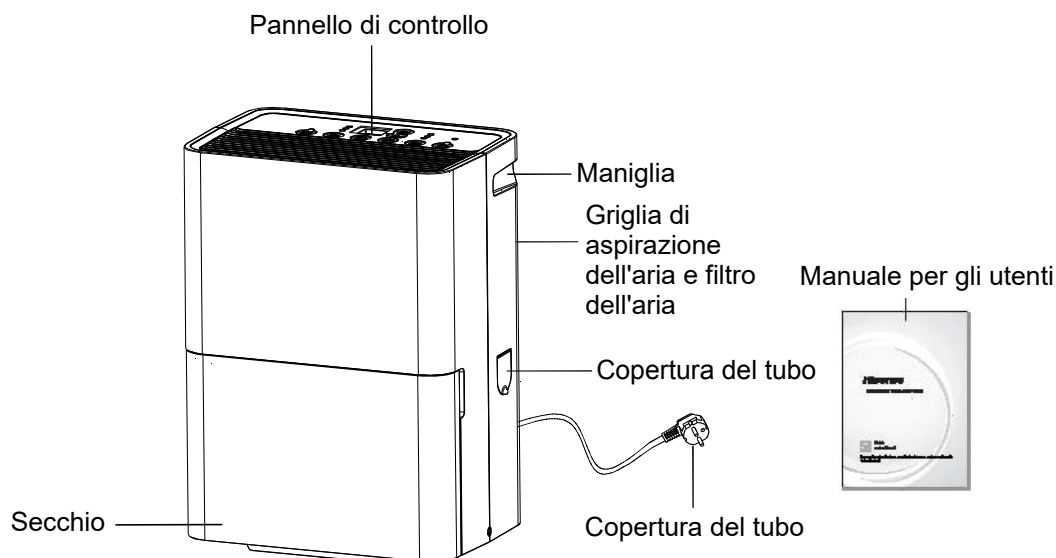
- Non usare mezzi per accelerare il processo di sbrinamento o per pulire, diversi da quelli raccomandati dal costruttore.
- L'apparecchio deve essere conservato in una stanza senza fonti di combustione in continuo funzionamento (ad esempio, fiamme libere, apparecchi che funzionano a gas o dispositivi di riscaldamento elettrico)
- Non perforare né bruciare
- Considerare il fatto che i refrigeranti possano essere inodore.
- L'apparecchio deve essere installato, gestito e conservato in una stanza con una superficie più ampia di 5 m².
- L'installazione delle tubature deve essere eseguita in conformità con le norme nazionali sul gas.
- La manutenzione deve essere eseguita solamente dal produttore, come raccomandato.
- L'apparecchio deve essere conservato in un luogo ben ventilato, dove le dimensioni della stanza corrispondono all'ambiente specificato per il funzionamento.
- Ogni procedura di lavoro che riguarda i mezzi di sicurezza deve essere eseguita solo da persone competenti.
- L'apparecchio deve essere conservato in una stanza senza fiamme libere in continuo funzionamento (ad esempio un impianto a gas) e priva di fonti di combustione (ad esempio impianti di riscaldamento elettrico).
- L'apparecchio deve essere tale da evitare danni meccanici.
- Chiunque sia coinvolto nella manutenzione o nell'esecuzione di lavori in un circuito di refrigerazione deve essere munito di certificato valido fornito da un servizio di valutazione accreditato del settore, che ne autorizzi la competenza nella gestione sicura dei refrigeranti in conformità alle specifiche di valutazione industriali riconosciute.
- La manutenzione deve essere eseguita solamente dal produttore, come raccomandato. La manutenzione e la riparazione che richiedono l'assistenza di professionisti qualificati sono effettuate sotto la supervisione dell'addetto competente nell'uso di refrigeranti infiammabili.

Spiegazione dei simboli visualizzati sull'apparecchio:

 <p>Attenzione, pericolo d'incendio</p>	<p>AVVERTENZA</p>	<p>Questo simbolo mostra che l'apparecchio usa un refrigerante infiammabile. Se il refrigerante è fuoriuscito ed esposto ad una fonte di ignizione esterna, esiste un rischio di incendio.</p>
	<p>ATTENZIONE</p>	<p>Questo simbolo mostra che il manuale di funzionamento deve essere consultato attentamente.</p>
	<p>ATTENZIONE</p>	<p>Questo simbolo mostra che l'apparecchio deve essere maneggiato da un tecnico specializzato in conformità al manuale di installazione.</p>
	<p>ATTENZIONE</p>	<p>Questo simbolo mostra che le informazioni sono disponibili, come nel caso del manuale di funzionamento o di installazione.</p>

Parametro del fusibile dell'apparecchio: (T2,5A, 250V).

PANORAMICA DEL PRODOTTO



NOTA:

Le figure in questo manuale si basano sulla vista esterna di un modello standard. Possono differire dal deumidificatore selezionato.

PRECAUZIONI DI SICUREZZA

Precauzioni per l'uso del refrigerante R290

Le procedure basiche di installazione sono le stesse di un refrigerante convenzionale (R22 o R410A). Fare comunque attenzione ai seguenti punti:

ATTENZIONE

1. **Trasporto dei dispositivi contenenti refrigeranti infiammabili**

Conformità alle normative sul trasporto

2. **Etichettatura dei dispositivi che utilizzano segnaletiche**

Conformità alle normative locali

3. **Smaltimento dei dispositivi che utilizzano refrigeranti infiammabili**

Conformità alle normative nazionali

4. **Conservazione dei dispositivi/apparecchi**

La conservazione del dispositivo deve essere in conformità alle istruzioni del produttore.

5. **Conservazione dei dispositivi imballati (non venduti)**

- La protezione dell'imballaggio deve essere tale da prevenire perdita della carica refrigerante in caso di eventuali danni meccanici all'apparecchio.
- Il numero massimo consentito di unità immagazzinate insieme sarà determinato dalle normative locali.

6. **Informazioni sulla manutenzione**

6-1 **Verifiche all'area**

Prima di iniziare a lavorare con impianti contenenti refrigeranti infiammabili, sono necessari controlli di sicurezza per ridurre al minimo i rischi d'incendio. Per riparare un sistema di refrigerazione, occorre osservare le seguenti precauzioni prima di lavorare sul sistema.

6-2 **Procedura di lavoro**

Il lavoro va eseguito secondo una procedura controllata in modo da minimizzare il rischio di propagazione di gas infiammabile o vapore durante l'esecuzione del lavoro.

6-3 **Area generale di lavoro**

- Tutto il personale di manutenzione e coloro che lavorano in ambito locale devono essere istruiti sulla natura del lavoro svolto. Evitare di lavorare in spazi stretti.
- La zona intorno all'area di lavoro deve essere sezionata. Garantire che le condizioni all'interno dell'aria siano sicure verificando il materiale infiammabile.

6-4 **Verificare la presenza di refrigerante**

- L'area dev'essere verificata con uno specifico rilevatore di refrigerante prima e durante l'esecuzione della manutenzione, per avere la certezza che il tecnico non sia esposto a nessuna atmosfera potenzialmente infiammabile.
- Verificare che l'equipaggiamento di rilevamento di fughe utilizzato sia idoneo all'uso con refrigeranti infiammabili, ossia non provochi scintille, sia adeguatamente sigillato o intrinsecamente sicuro.

ATTENZIONE

6-5 Presenza di estintori

- Considerare la presenza in vicinanza di estintori adeguati in caso di manutenzione ad alte temperature sugli apparecchi di refrigerazione o sui relativi componenti.
- Posizionare estintori a base di CO₂ o polvere secca in prossimità delle aree di caricamento

6-6 Nessuna fonte di ignizione

- Nessuna persona che lavori sui sistemi di refrigerazione che espongono al contatto con tubi che contengono o contenevano refrigerante infiammabile deve utilizzare fonti di ignizione per evitare rischi di incendio o esplosione.
- Ogni possibile fonte di ignizione, tra cui il fumo di sigarette, deve essere tenuta a debita distanza dal sito di installazione, riparazione, rimozione o smaltimento, ove possa verificarsi una perdita di liquido refrigerante nello spazio circostante.
- Prima di eseguire il lavoro, la zona circostante all'apparecchio deve essere verificata per accertarsi dell'assenza di sostanze infiammabili o rischi di ignizione. Devono essere esposte segnalazioni di divieto di fumo.

6-7 Area ventilata

- Assicurarci che la zona sia aperta o che sia adeguatamente ventilata prima di interagire con il sistema o svolgere qualsiasi operazione ad alte temperature.
- Assicurare una ventilazione costante durante il periodo delle operazioni.
- La ventilazione deve disperdere in modo sicuro ogni refrigerante rilasciato e preferibilmente espellerlo esternamente nell'atmosfera.

6-8 Verifiche all'impianto di refrigerazione

- Quando modificati, i componenti elettrici devono essere idonei allo scopo e conformi alle corrette specifiche.
- Occorre sempre seguire le linee guida del produttore sulla manutenzione. In caso di dubbi consultare il dipartimento tecnico del produttore per ricevere assistenza.
- Gli impianti che utilizzano refrigeranti infiammabili devono essere sottoposti alle seguenti verifiche:
 - Che la dimensione della carica sia conforme a quella della camera in cui componenti contenenti refrigerante sono installati;
 - Che gli impianti e le uscite di ventilazione funzionino adeguatamente e non siano ostruite;
 - Se un circuito di refrigerazione indiretto è in uso, occorre controllare la presenza di refrigerante nel circuito secondario;
 - Che la segnalazione degli impianti continui ad essere visibile e leggibile. Le marcature e le segnalazioni illeggibili devono essere corrette;
 - Che il tubo o i componenti di refrigerazione siano installati in una posizione in cui è improbabile che possano essere esposti a sostanze che potrebbero corrodere i componenti contenenti refrigerante, a meno che i componenti siano fabbricati con materiali intrinsecamente resistenti alla corrosione od opportunamente protetti da agenti corrosivi.

ATTENZIONE

6-9 Verifiche ai dispositivi elettrici

- Le operazioni di riparazione e manutenzione di componenti elettrici comprendono controlli di sicurezza iniziali e le procedure di ispezione dei componenti.
- In caso di guasto che possa compromettere la sicurezza, allora nessuna alimentazione elettrica deve essere collegata al circuito finché non viene riparato adeguatamente.
- Se il guasto non può essere riparato immediatamente, ma è necessario continuare l'operazione, utilizzare una soluzione temporanea adeguata.
- Ciò deve essere segnalato al proprietario dell'impianto in modo da informare tutte le parti.
- I controlli di sicurezza iniziali comprendono
 - Che i condensatori siano scaricati: ciò deve essere eseguito in modo sicuro per evitare la possibilità di scintille;
 - Che i componenti e il cablaggio elettrici non siano esposti a tensioni durante la carica, la riparazione o la depurazione del sistema;
 - Che ci sia una continuità di messa a terra.

7. Riparazione dei componenti ermetici

- Durante le riparazioni dei componenti ermetici, tutte le forniture elettriche devono essere scollegate dall'apparecchio in funzione al momento prima di qualsiasi rimozione delle coperture sigillate, ecc.
- Se è assolutamente necessario disporre di alimentazione elettrica alle apparecchiature durante la manutenzione, occorre posizionare permanentemente un rilevatore di perdite nel punto più critico per avvertire di una situazione potenzialmente pericolosa.
- Particolare attenzione deve essere dedicata a quanto segue per garantire che lavorando su componenti elettrici, la struttura esterna non sia alterata in modo tale da influenzare il livello di protezione.
- Ciò include i danni ai cavi, numero eccessivo di connessioni, terminali non fabbricati in conformità alle specifiche originali, danni alle guarnizioni, una scorretta installazione delle chiusure, ecc.
- Assicurarsi che gli apparecchi siano montati saldamente.
- Assicurarsi che le guarnizioni o i materiali di tenuta non siano degradati al punto da non servire più allo scopo di impedire l'ingresso di atmosfere infiammabili.
- Componenti di ricambio devono essere conformi alle specifiche del produttore.

NOTA:

L'uso di sigillante siliconico può inibire l'efficacia di alcuni tipi di apparecchiature di rilevamento di perdite. I componenti a sicurezza intrinseca non devono essere isolati prima di lavorare su di essi.

8. Riparazione di componenti a sicurezza intrinseca

- Non applicare carichi induttivi o capacitivi permanenti al circuito senza garantire che siano rispettate la tensione ammissibile e la corrente consentita per le apparecchiature in uso.
- I componenti a sicurezza intrinseca sono gli unici tipi che possono essere lavorati

ATTENZIONE

sotto tensione in presenza di un'atmosfera infiammabile. L'apparecchiatura di prova deve disporre di una portata nominale adeguata.

- Sostituire i componenti soltanto con ricambi specificati dal produttore.
- I componenti di altro tipo possono provocare la combustione del refrigerante nell'atmosfera a causa di una perdita.

9. Cablaggio

- Controllare che il cablaggio non sarà soggetto ad usura, corrosione, tensione eccessiva, vibrazioni, bordi taglienti o altri effetti negativi sull'ambiente.
- Il controllo deve inoltre tener conto degli effetti dell'usura o di continue vibrazioni di fonti quali compressori o ventilatori.

10. Rilevamento di refrigeranti infiammabili

- In nessun caso le potenziali fonti di combustione devono essere utilizzate per la ricerca o la rilevazione di perdite di refrigerante.
- Non deve essere utilizzata una torcia all'alogenuro (o qualsiasi altro rilevatore che utilizzi una fiamma).

11. Metodi di rilevamento di perdite

- I seguenti metodi di rilevamento delle perdite sono ritenuti accettabili per sistemi contenenti refrigeranti infiammabili:
 - I rilevatori elettronici di perdite sono idonei per individuare i refrigeranti infiammabili, ma la sensibilità può non essere adatta, o potrebbe essere necessario la ritaratura. (Le apparecchiature di rilevamento devono essere tarate in una zona priva di refrigerante.)
 - Assicurarsi che il rilevatore non sia una fonte potenziale di combustione e sia adatto per il refrigerante utilizzato.
 - Le apparecchiature di rilevamento di perdite devono essere impostate a una percentuale dell' LFL del refrigerante e calibrate secondo il refrigerante impiegato, confermando la percentuale appropriata di gas (25% massimo).
 - I fluidi di rilevamento delle perdite sono idonei per la maggior parte dei refrigeranti ma è da evitare l'uso di detergenti a base di cloro dato che questi possono reagire con il refrigerante e corrodere le tubature di rame.
 - Se si sospetta una fuga, tutte le fiamme libere devono essere rimosse / spente.
 - Se si rileva una perdita di refrigerante che richiede brasatura, tutto il refrigerante deve essere recuperato dal sistema o isolato (tramite valvole di intercettazione) in una parte del sistema lontano dalla perdita.
 - L'azoto privo di ossigeno (OFN) viene quindi espulso dal sistema sia prima che durante il processo di brasatura.

12. Rimozione e scarico

- Se si modifica il circuito del refrigerante per fare le riparazioni, o per qualsiasi altro scopo, vanno seguite procedure convenzionali.
- Tuttavia, è importante osservare le migliori prassi in caso di rischio di combustione.
- Rispettare le seguenti procedure:
 - Rimuovere il refrigerante;
 - Spurgare il circuito con gas inerte;

ATTENZIONE

- Evacuare;
- Spurgare nuovamente con gas inerte;
- Aprire il circuito tagliando o realizzando la brasatura.
- La carica di refrigerante deve essere recuperata nelle bombole di recupero corrette.
- Il sistema deve essere "depurato" con OFN per rendere l'unità sicura.
- Può essere necessario ripetere questo processo più volte.
- L'aria o l'ossigeno compresso non devono essere utilizzate per questo compito.
- La depurazione va eseguita con interruzioni del vuoto nel sistema con OFN e continuando a riempire fino al raggiungimento della pressione necessaria, quindi propagare all'atmosfera, e infine svuotando l'impianto in condizioni di vuoto.
- Questo processo deve essere ripetuto fino ad eliminare il refrigerante dal sistema. Quando si utilizza la carica finale di OFN, il sistema deve essere sfiato fino alla pressione atmosferica per consentire l'esecuzione del lavoro.
- Questa operazione è assolutamente vitale se vanno eseguite le operazioni di brasatura sulle tubature.
- Assicurarsi che l'uscita per la pompa del vuoto non sia in prossimità alle fonti di combustione e che vi sia ventilazione.

13. Procedure di ricarica

- Oltre alle procedure di ricarica tradizionali, le seguenti norme devono essere seguite:
 - Garantire che non si verifichi la contaminazione di diversi refrigeranti quando si utilizzano apparecchiature di ricarica.
 - I tubi o i condotti devono essere quanto più corti possibile per ridurre al minimo la quantità di refrigerante contenuta in essi.
 - Le bombole devono essere mantenute in posizione verticale.
 - Assicurarsi che il sistema di refrigerazione sia collegato a terra prima di caricare il sistema con refrigerante.
 - Etichettare il sistema quando la carica è completa (se non lo è già).
 - Adottare un'estrema cura per non riempire eccessivamente il sistema di refrigerazione.
- Prima di ricaricare il sistema deve essere testata la pressione con OFN.
- Testare la presenza di eventuali perdite del sistema al termine della ricarica, ma prima dell'attivazione.
- Una successiva prova di tenuta deve essere eseguita prima di lasciare il sito.

14. Disattivazione

- Prima di effettuare questa procedura, è essenziale che il tecnico abbia totale familiarità con l'attrezzatura e tutti i suoi dettagli.
- Si raccomanda di recuperare tutti i refrigeranti in modo sicuro.
- Prima di svolgere le operazioni, conservare un campione di olio e refrigerante da utilizzare qualora sia necessaria un'analisi prima del riutilizzo del refrigerante recuperato. È essenziale che l'alimentazione elettrica sia disponibile prima dell'inizio delle operazioni.
 - a) Acquisire familiarità con le attrezzature e il suo funzionamento.
 - b) Isolare il sistema elettricamente.

ATTENZIONE

- c) Prima di eseguire la procedura assicurarsi che:
- I mezzi di movimentazione meccanica siano disponibili, se necessario, per la movimentazione di bombole di refrigerante;
 - Tutti i dispositivi di protezione individuale siano disponibili e utilizzati in modo corretto;
 - Il processo di ripristino sia supervisionato sempre da un addetto competente;
 - Gli impianti di recupero e le bombole siano conformi agli standard appropriati.
- d) Aspirare il sistema di refrigerante, se possibile.
- e) Se non è possibile creare condizioni di vuoto, creare un collettore in modo che il refrigerante possa essere rimosso dalle varie parti del sistema.
- f) Assicurarsi che bombola si trovi sulla bilancia prima del recupero.
- g) Avviare la macchina di recupero e operare secondo le istruzioni del produttore.
- h) Non riempire eccessivamente le bombole. (Non oltre l'80% di volume della carica liquida).
- l) Non superare la pressione massima della bombola, neanche temporaneamente.
- j) Quando le bombole sono state riempite correttamente e una volta completato il processo, assicurarsi che le bombole e le attrezzature siano state rimosse dal sito tempestivamente e tutte le valvole di isolamento sulle attrezzature siano chiuse.
- k) Il refrigerante recuperato non deve essere caricato in un altro sistema di refrigerazione a meno che non sia stato depurato e controllato.

15. Etichettatura

- Le attrezzature devono essere etichettate certificandone la disattivazione e lo svuotamento di refrigerante.
- L'etichetta deve essere datate e firmate.
- Assicurarsi che vi siano etichette sul materiale che attestino che l'apparecchiatura contiene refrigerante infiammabile.

16. Riparazione

- Quando si rimuove il refrigerante da un sistema, sia per la manutenzione o la disattivazione, si raccomanda di attenersi alla prassi consigliata di rimuovere tutti i refrigeranti in sicurezza.
- Quando si trasferisce il refrigerante nelle bombole, assicurarsi che siano impiegate soltanto bombole di recupero di refrigerante adeguate.
- Assicurarsi la disponibilità del numero corretto di bombole in grado di sostenere la carica totale del sistema.
- Che tutte le bombole da utilizzare siano designate per il refrigerante recuperato e etichettate per tale refrigerante (ossia bombole speciali per il recupero di refrigerante).
- Le bombole devono essere complete di valvola di sicurezza e valvole di chiusura associate in buone condizioni.
- Verificare che le bombole di recupero vuote siano evacuate e, se possibile, raffreddate prima che si verifichi il recupero.
- Certificarsi che l'apparecchiatura di recupero sia in buone condizioni e in possesso di una serie di istruzioni riguardanti le attrezzature, le quali siano adatte per il recupero

 **ATTENZIONE**

dei refrigeranti infiammabili.

- Inoltre, disporre di una serie di bilance tarate e in buone condizioni.
- I tubi flessibili devono essere completi di innesti senza perdite e in buone condizioni.
- Prima di utilizzare la macchina di recupero, verificare che sia in condizioni di funzionamento adeguate, sia stata realizzata una corretta manutenzione e che tutti i componenti elettrici associati sono sigillati per evitare la combustione in caso di rilascio di refrigerante
- In caso di dubbio consultare il produttore
- Il refrigerante recuperato è restituito al fornitore in una bombola di recupero idonea, allegando la certificazione di trasferimento di rifiuti.
- Non mescolare i refrigeranti nelle unità di recupero e soprattutto non in bombole.
- Se compressori o oli per compressori devono essere rimossi, garantire che essi siano stati evacuati ad un livello accettabile per assicurarsi che il refrigerante infiammabile non rimanga all'interno del lubrificante.
- Il processo di evacuazione deve essere effettuato prima di restituire il compressore ai fornitori.
- Impiegare solo il riscaldamento elettrico al corpo del compressore per accelerare questo processo.
- Quando l'olio viene drenato da un sistema, tale operazione deve essere eseguita in modo sicuro.

SICUREZZA DEL DEUMIDIFICATORE

La vostra sicurezza e quella degli altri sono molto importanti

Abbiamo fornito molti importanti messaggi di sicurezza in questo manuale e nel vostro apparecchio. Leggerli sempre e rispettare tutti i messaggi di sicurezza.



Questo è il simbolo di avvertenza sulla sicurezza

Questo simbolo avvisa in caso di potenziali pericoli che possono causare lesioni o morte. Tutti i messaggi di sicurezza seguiranno il simbolo di avviso di sicurezza con la parola "PERICOLO" o "ATTENZIONE"

Queste parole significano:

 **PERICOLO**

Un pericolo che, se non evitato, potrà provocare la morte o gravi lesioni.

 **AVVERTENZA**

Un pericolo che, se non evitato, potrebbe provocare la morte o gravi lesioni.

Tutti i messaggi di sicurezza illustreranno i rischi potenziali, come ridurre le possibilità di lesione e cosa accade nel caso in cui non siano seguite le istruzioni.

IMPORTANTI ISTRUZIONI DI SICUREZZA

PERICOLO

Per ridurre il rischio di esplosione, incendio, morte, scosse elettriche, scottature o lesioni alle persone durante l'utilizzo di questo apparecchio, seguire le precauzioni di base, tra cui:

INSTALLAZIONE

- Inserirlo in una presa a terra con tre spinotti. Non rimuovere lo spinotto di terra.
- Non tentare mai di utilizzare questo apparecchio se è danneggiato, malfunzionante, parzialmente smontato o presenta parti mancanti o rotte, incluso un cavo o una spina danneggiati.
- Non utilizzare un adattatore elettrico o adattatori per prese multiple con questo deumidificatore.
- Non utilizzare nessuna prolunga.
- Scollegare il deumidificatore prima della messa in servizio.
- Non bere l'acqua raccolta nel secchio dell'acqua.
- L'apparecchio non è destinato all'uso da parte di bambini piccoli o disabili senza supervisione, i bambini piccoli devono essere sorvegliati per assicurarsi che non giochino con l'apparecchio.
- Durante l'installazione o lo spostamento dell'apparecchio, fare attenzione a non pizzicare, schiacciare o danneggiare il cavo di alimentazione.
- Tenere i materiali di imballaggio fuori dalla portata dei bambini. Il materiale di imballaggio può essere pericoloso per i bambini. C'è il rischio di soffocamento.
- Non utilizzare l'apparecchio in acqua stagnante né consentire che il prodotto venga schizzato direttamente dall'acqua durante l'uso.
- Conservare e installare l'apparecchio dove non sarà esposto a temperature sotto zero o esposto a condizioni meteorologiche esterne.
- Contattare un tecnico dell'assistenza autorizzato per riparare o sostituire immediatamente tutti i cavi di alimentazione che sono stati danneggiati. Non utilizzare un cavo che mostri crepe o danni da abrasione sulla sua lunghezza o alle due estremità.

- Non utilizzare il prodotto se la presa è danneggiata o allentata.
- In caso di perdita di gas, gas propano, GPL, ecc.) non utilizzare questo o nessun altro apparecchio. Aprire una finestra o una porta per ventilare immediatamente l'area.
- Non smontare, riparare o modificare il prodotto.
- Non conservare o utilizzare gas o materiali infiammabili vicino al deumidificatore.

FUNZIONAMENTO

- Leggere tutte le istruzioni prima di utilizzare l'apparecchio e salvare queste istruzioni.
- Non manomettere i controlli.
- Inserire completamente la spina di alimentazione nella presa a muro in modo che non sia allentata.
- Non afferrare il cavo di alimentazione o toccare i comandi dell'apparecchio con le mani bagnate.
- Non modificare o prolungare il cavo di alimentazione.
- Se il prodotto emette uno strano rumore o emette odore o fumo, scollegare la spina di alimentazione e contattare il servizio clienti Hisense.
- Evitare di posizionare il deumidificatore o altri oggetti pesanti sopra il cavo di alimentazione.
- Non usare acqua per pulire il deumidificatore.
- Mantenere l'ingresso e l'uscita dell'aria liberi da ostacoli.
- Non coprire il cavo di alimentazione con tappeti o moquette. Posizionare oggetti pesanti sopra il cavo potrebbe danneggiarlo.
- Tenere il prodotto lontano da fuoco e calore elevato.
- Non utilizzare il prodotto in luoghi in cui potrebbe essere schizzato dall'acqua.
- Non inserire dita, bastoncini ecc. nell'ingresso o nell'uscita dell'aria. La ventola funziona a velocità elevate e potrebbe causare lesioni personali.
- Non riparare o sostituire nessuna parte dell'apparecchio. Tutte le riparazioni e le manutenzioni devono essere eseguite da personale qualificato se non specificamente consigliato in questo manuale d'uso. Utilizzare solo parti di fabbrica autorizzate.
- Collegare a un circuito elettrico adeguatamente classificato, protetto e dimensionato per evitare sovraccarichi elettrici.

CUSTODIRE LE PRESENTI ISTRUZIONI

⚠AVVERTENZA

Per ridurre il rischio di lesioni a persone, malfunzionamento o danni al prodotto o alle proprietà durante l'utilizzo di questo apparecchio, seguire le precauzioni di sicurezza di base, tra cui:

INSTALLAZIONE

- Utilizzare questo apparecchio solo per lo scopo previsto.
Questo prodotto non è progettato per conservare strumenti di precisione, stoviglie o opere d'arte.
- Non scollegare mai l'apparecchio tirando il cavo di alimentazione. Afferrare sempre saldamente la spina ed estrarla dalla presa.
- Non utilizzare il prodotto in luoghi in cui vengono utilizzati prodotti chimici.
I prodotti chimici e i solventi disciolti nell'aria potrebbero causare deformazione e perdite del prodotto.
- Spegnerne il deumidificatore ed estrarre la spina di alimentazione prima di pulirlo.
Attendere che la ventola si fermi.
- Non utilizzare il deumidificatore senza filtro.
L'uso del prodotto senza filtro può comportare una riduzione della durata del prodotto, scosse elettriche o lesioni.

FUNZIONAMENTO

- Non utilizzare il prodotto per preservare animali/piante, strumenti di precisione, opere d'arte ecc.
- Non posizionare oggetti sopra il deumidificatore.
- Spegnerne il deumidificatore e svuotare il secchio d'acqua prima di spostare il deumidificatore.
- Estrarre la spina di alimentazione se non si utilizzerà il prodotto per un periodo prolungato.
- Non utilizzare il prodotto in uno spazio molto ridotto, ad esempio un ripostiglio.
Una scarsa ventilazione potrebbe provocare un surriscaldamento.
- Non usare cera, diluenti o detersivi aggressivi durante la pulizia. Pulire il prodotto con un panno morbido.
- Non utilizzare il prodotto alla luce diretta del sole o alla pioggia.
- Non toccare il prodotto con le mani bagnate.
- Posizionare il prodotto su una superficie solida e stabile.
- Rimuovere le fascette ed estendere il cavo di alimentazione prima dell'uso.
- Non spruzzare sostanze estranee o acqua sul prodotto.

CUSTODIRE LE PRESENTI ISTRUZIONI


CONSERVAZIONE E SMALTIMENTO DELL'UNITÀ

- Smaltire questo apparecchio in conformità con le normative federali e locali.
- I refrigeranti devono essere evacuati prima dello smaltimento.
- Riciclare o smaltire il materiale di imballaggio del prodotto in modo ecologico.
- Per evitare danni al compressore, non conservare o spedire mai l'apparecchio sottosopra o lateralmente.

REQUISITI PER L'INSTALLAZIONE

Requisiti elettrici

⚠ AVVERTENZA



Pericolo di scossa elettrica

Inserire sempre una presa a tre poli con messa a terra.
Non rimuovere lo spinotto di terra.
Non usare un adattatore.
Non utilizzare nessuna prolunga.
La mancata osservanza di queste istruzioni può dar luogo a morte incendio o scossa elettrica.

I requisiti elettrici specifici sono elencati nella tabella seguente. Seguire i requisiti per il tipo di spina sul cavo di alimentazione.

Requisiti di alimentazione



- 220-240V ~ / 50Hz
- Fusibile con tempo di ritardo 15A o interruttore automatico

Metodo di messa a terra consigliato

Questo deumidificatore deve essere messo a terra. Questo deumidificatore è dotato di un cavo di alimentazione con una spina di messa a terra a tre poli. Il cavo deve essere inserito in una presa di accoppiamento a tre poli con messa a terra, conforme a tutti i codici e le ordinanze locali. Se non è disponibile una presa di accoppiamento, è responsabilità del cliente far installare da un elettricista qualificato una presa a tre poli dotata di messa a terra.

È responsabilità del cliente:

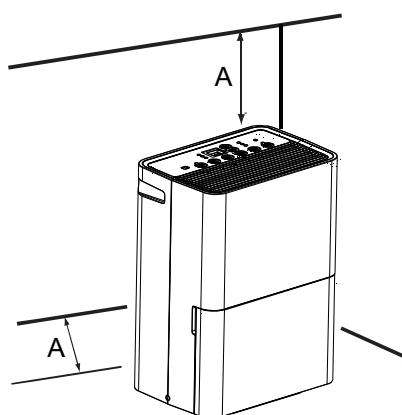
- Contattare un installatore elettrico qualificato.
- Garantire che l'installazione elettrica sia adeguata e conforme al Codice elettrico nazionale, ANSI/NFPA 70-ultima edizione e tutti i codici e le ordinanze locali.

Requisiti di sicurezza

⚠ AVVERTENZA Per ridurre il rischio di lesioni a persone, malfunzionamento o danni al prodotto o alle proprietà durante l'utilizzo di questo apparecchio, seguire le precauzioni di sicurezza di base, tra cui:

NOTA:

- Il tuo modello potrebbe differire da quello mostrato.
- Questo prodotto non può essere utilizzato o livellato in uno spazio ristretto (la superficie del pavimento deve essere superiore a 5 m²).
 - Non collocare all'aperto. Questo deumidificatore è destinato esclusivamente a un uso residenziale interno (deve essere installato, utilizzato e livellato in uno spazio non confinato con una superficie del pavimento superiore a 5 m²). Questo deumidificatore non è consigliato per uso commerciale.
 - Lasciare almeno 30,5 cm - 45,7 cm di spazio sul retro e sui lati del deumidificatore per i modelli con griglia posteriore e sopra il deumidificatore per i modelli con griglia superiore.
 - È necessaria una superficie sufficientemente solida per supportare il deumidificatore, non posizionarlo su un tappeto. Assicurarsi che il deumidificatore sia posizionato saldamente prima di farlo funzionare, per evitare che si scarichi.
 - Avrai bisogno di una superficie sufficiente per evitare che l'acqua fuoriesca quando il secchio è pieno d'acqua.
 - Non bloccare le feritoie dell'unità.
 - Non utilizzare mai questo deumidificatore in un'area che potrebbe accumulare acqua stagnante. Se si verifica questa condizione, per motivi di sicurezza, scollegare l'alimentazione prima di mettere piede nell'acqua.
 - Spegnerne il deumidificatore, scollegare il cavo di alimentazione e svuotare il secchio prima di spostare l'unità, per evitare perdite d'acqua o scosse elettriche.



A. da 30,5 cm a 45,7 cm

USO DEL DEUMIDIFICATORE

Impostazione dei comandi

Pannello di controllo



NOTA:

- Il punto di regolazione è l'umidità relativa: più bassa è più secca, più alta è meno secca.
- Il pannello di controllo del modello in uso potrebbe essere diverso da quello mostrato sopra.

Avvio/arresto del deumidificatore

AVVERTENZA Il deumidificatore deve essere in posizione verticale per almeno 2 ore prima dell'uso.

AVVERTENZA Non estrarre il secchio d'acqua durante il normale utilizzo, altrimenti potrebbero verificarsi rischi di scosse elettriche. Se si desidera spostare il deumidificatore, assicurarsi innanzitutto di estrarre la spina di alimentazione.

NOTA:

- Prima di accendere il deumidificatore, assicurarsi che il secchio sia vuoto e si adatti completamente al deumidificatore.
- Ogni volta che si scollega il deumidificatore o si interrompe l'alimentazione, i controlli torneranno alle impostazioni precedenti al ripristino dell'alimentazione.
- L'umidità visualizzata è compresa tra il 30% di umidità relativa e il 90% di umidità relativa.
- L'umidità può essere impostata tra il 30% di umidità relativa e l'80% di umidità relativa.
- È importante impostare il livello di umidità desiderato su un'impostazione raggiungibile. Per garantire un funzionamento efficiente dal punto di vista energetico, utilizzare il deumidificatore solo in uno spazio chiuso, senza finestre aperte o altre fonti di aria umida (per evitare il funzionamento continuo).
- La temperatura di funzionamento è compresa tra 5°C e 32°C. L'umidità di funzionamento è compresa tra il 30% di umidità relativa e l'80% di umidità relativa. A temperature di 5°C o meno, l'acqua si congela all'interno del prodotto. A temperature superiori a 32°C, la temperatura interna del prodotto fa scattare un dispositivo di protezione che disattiva il prodotto per evitare danni al prodotto. Il compressore ha un ritardo di 3 minuti prima del riavvio.
- Se il prodotto viene arrestato e riavviato immediatamente, per proteggere il compressore si verifica un ritardo di 3 minuti fino al riavvio del compressore.

- Quando il deumidificatore è in funzione, la temperatura interna aumenta. Il deumidificatore non ha una funzione di raffreddamento/riscaldamento. Il calore viene generato durante il funzionamento, quindi la temperatura ambiente può essere aumentata di circa 5°C a seconda delle condizioni di utilizzo (dimensione della temperatura interna della stanza)

AVVERTENZA



Pericolo di scossa elettrica

Inserire sempre una presa a tre poli con messa a terra. Non rimuovere lo spinotto di terra. Non usare un adattatore. Non utilizzare nessuna prolunga. La mancata osservanza di queste istruzioni può dar luogo a morte incendio o scossa elettrica.

1. Inserirlo in una presa a terra con tre spinotti.
2. Premere POWER per accendere il deumidificatore.
3. Premere FAN per selezionare la velocità di ventilazione.
4. Premere MODE per scegliere la modalità (Auto Dry/continuous/Clothes/Manual Set).
5. Premere il pulsante più o meno per impostare il livello di umidità in modalità manuale.
6. Premere POWER per spegnere il deumidificatore.



NOTA:

In caso di blackout o interruzione di corrente, il deumidificatore si riavvierà automaticamente, nelle ultime impostazioni utilizzate, dopo il ripristino dell'alimentazione.

Velocità del ventilatore

1. Premere FAN per selezionare la velocità di ventilazione.
2. Scegliere Low High o Auto.



- Low: raggiunge l'umidità desiderata con un livello sonoro inferiore.
- High: raggiunge più rapidamente l'impostazione di umidità desiderata.
- Auto-Raggiunge l'umidità impostata a velocità normale.

NOTA:

Quando l'umidità relativa della stanza raggiunge l'impostazione desiderata, il compressore si arresta e la ventola si spegne periodicamente. La ventola può accendersi periodicamente, per leggere il livello di umidità, senza che il compressore sia in funzione.

Modalità umidità desiderata

1. Premere MODE per selezionare l'impostazione di umidità desiderata.
 - Modalità Asciugatura automatica : La spia Asciugatura automatica è accesa.
 - Modalità Asciugatura continua: la spia Asciugatura continua è accesa.
 - Modalità Asciugatura vestiti: la spia Asciugatura vestiti è accesa.
 - Modalità di impostazione manuale: Sia la spia dell'asciugatura automatica, sia la spia dell'asciugatura continua, sia la spia dell'asciugatura dei vestiti sono spente.



2. Scegliere Auto Dry, Continuous, Clothes Dry o Manual Set.
 - Auto Dry: Il deumidificatore funziona solo in modalità asciutta. La velocità della ventola viene impostata automaticamente. L'umidità desiderata viene impostata automaticamente al 50%.
 - Continuous: Il deumidificatore funziona in modo continuo. La velocità della ventola può essere regolata. L'umidità desiderata non può essere regolata.
 - Clothes Dry: Il deumidificatore funziona in modalità di forte deumidificazione e asciuga automaticamente i vestiti in base all'umidità effettiva della stanza. Al termine dell'operazione di asciugatura, la modalità di asciugatura esce automaticamente e l'indicatore della modalità Vestiti inizia a lampeggiare. Quando si preme nuovamente il tasto modalità, si accede nuovamente alla modalità di asciugatura e l'indicatore di modalità passa da lampeggiante ad acceso. L'umidità desiderata non può essere regolata.
 - Manual Set: Il deumidificatore funziona alla velocità della ventola selezionata fino al livello di umidità impostato. Se il livello di umidità della stanza è superiore all'impostazione di umidità desiderata, il compressore si accenderà. Se il livello di umidità della stanza è inferiore all'impostazione desiderata, il compressore si spegne, così come la ventola.

NOTA:

La funzione di sbrinamento spegne il compressore se si verifica una condizione di bassa temperatura. Quando lo sbrinatori rileva la corretta temperatura di funzionamento, il compressore si riaccende. Un certo congelamento è normale quando i deumidificatori vengono utilizzati a basse temperature.

Spia secchio vuoto

Se questa spia è accesa, la ventola e il compressore smettono di funzionare. Questa spia indica che è necessario effettuare un controllo:

- Se il secchio è pieno, svuotare e reinstallare il secchio.
- Se il secchio non è in posizione, rimuovere il secchio e reinstallarlo. Assicurarsi che il secchio si inserisca completamente nel deumidificatore e che la spia del secchio sia spenta, altrimenti il deumidificatore non funzionerà.

Alimentazione

Premere POWER per accendere o spegnere il deumidificatore.

**Livello di umidità**

1. Premere il pulsante Più o Meno per impostare il livello di umidità desiderato. L'umidità desiderata sul display digitale lampeggerà per 5 secondi dopo il funzionamento.



2. L'umidità effettiva dell'ambiente verrà visualizzata dopo 5 secondi di lampeggiamento dell'umidità desiderata.

NOTA:

L'umidità può essere regolata manualmente solo in modalità Manual Set. In modalità continua e Auto Dry, il livello di umidità viene impostato automaticamente.

Display digitale

Il display visualizza l'umidità relativa o l'ora (a seconda dell'impostazione).

1. Quando il deumidificatore funziona in modalità Impostazione manuale, il display visualizza l'umidità relativa dell'ambiente.
2. Quando si seleziona il timer, il display mostra l'ora in cui il deumidificatore si accende o si spegne, a seconda dell'impostazione.

**NOTA:**

L'umidità visualizzata è solo per riferimento. Per un'umidità precisa, consultare un igrometro.

Timer

Per impostare il Timer per un ritardo da 30 minuti a 24 ore prima dello spegnimento del deumidificatore (il deumidificatore deve essere acceso):

1. Premi TIMER. La spia del timer si accende e il display lampeggia. Il display visualizza il tempo rimanente prima che il deumidificatore si spenga.



2. Premere il pulsante Più o Meno per modificare il tempo di ritardo, da 30 minuti a 24 ore.

Per impostare il Timer per l'accensione del deumidificatore, con l'impostazione precedente:

1. Spegnerne il deumidificatore.
2. Premi TIMER. La spia del timer lampeggia. Il display visualizza il tempo rimanente prima che il deumidificatore si accenda.
3. Premere il pulsante Più o Meno per modificare il tempo di ritardo, da 30 minuti a 24 ore

Per cancellare il programma di ritardo del Timer:

NOTA: Il deumidificatore può essere acceso o spento.

1. Premere TIMER una volta dopo la programmazione. Il display visualizzerà il tempo rimanente.
2. Mentre il display visualizza il tempo rimanente, premere nuovamente TIMER. La spia del timer si spegne.

Per vedere il tempo rimanente.

Premere TIMER una volta dopo la programmazione. Il display visualizzerà il tempo rimanente.

NOTA:

Svuotare il secchio dell'acqua di scarico prima di impostare la funzione Timer. Se il secchio dell'acqua si riempie durante la funzione Timer, la spia del secchio vuoto si accende e la deumidificazione si interrompe.

Pulire filtro

1. Quando la spia Pulire Filtro è accesa, rimuovere, pulire e sostituire il filtro dell'aria. Vedere "Pulire il filtro dell'aria".
2. Premere il pulsante Pulisci filtro per resettare il monitor del filtro.

NOTA:

Quando la spia è accesa, rimane accesa per 180 ore o finché non si preme il pulsante Pulisci filtro.



Drenaggio del deumidificatore

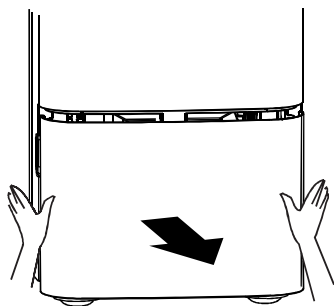
⚠ AVVERTENZA

Pericolo di malessere
Non bere l'acqua raccolta nel secchio d'acqua.
Ciò può provocare un malessere.

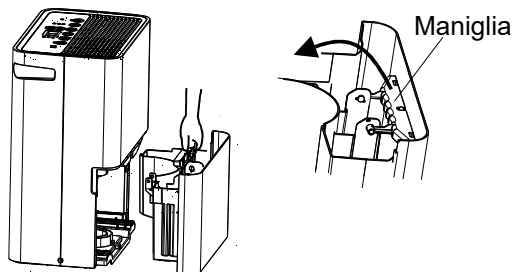
Opzione 1 Scarico del secchio

Se uno scarico a pavimento non è disponibile o non si prevede di utilizzare il deumidificatore in modo continuo, è possibile che si desideri semplicemente svuotare il secchio.

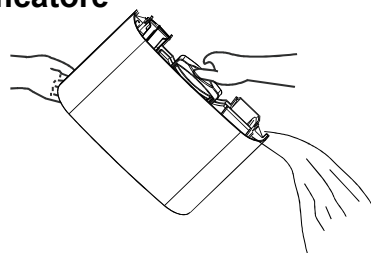
1. Afferrare i lati del secchio per far scivolare il secchio.



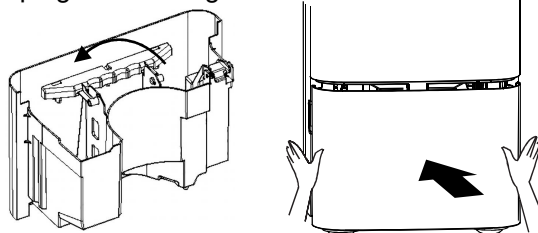
2. Sollevare il secchio per la maniglia.



3. Versare l'acqua in un lavandino o vasca.



4. Ripiegare la maniglia e reinstallare il secchio.



IMPORTANTE:

Se la spia del secchio vuoto si accende, il deumidificatore non funzionerà. Potrebbe essere necessario svuotare o reinstallare il secchio.

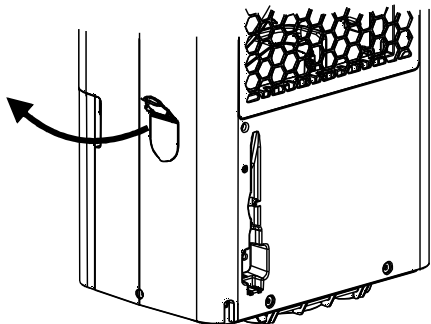
NOTA:

- Se il secchio dell'acqua viene rimosso immediatamente dopo aver spento il deumidificatore, l'acqua rimasta nello scambiatore di calore potrebbe gocciolare all'interno dell'area di stoccaggio del secchio d'acqua. Rimuovere l'acqua con un panno morbido.
- Durante la pulizia, non toccare il galleggiante del livello dell'acqua.
- Pulire il secchio d'acqua una volta alla settimana durante l'uso.
- Se la temperatura ambiente è bassa, c'è meno umidità nell'aria per il prodotto da rimuovere.
- Scollegare il prodotto prima di rimuovere il secchio d'acqua. Se il secchio viene rimosso mentre il prodotto è in funzione, il compressore si arresterà.

Opzione 2 Scarico a gravità

Se si prevede di utilizzare il deumidificatore in modo continuo, è possibile scegliere lo scarico diretto collegando un tubo da giardino all'unità.

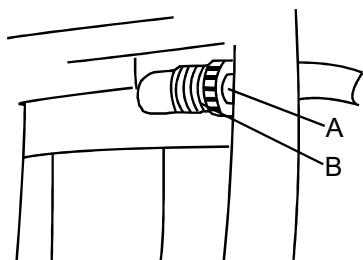
1. Spegnerne il deumidificatore e scollegare il cavo di alimentazione.
2. Scoprire il coperchio del connettore sul lato dell'unità.



3. Rimuovere il secchio.
4. Collegare un tubo da giardino al connettore del tubo di scarico all'interno del deumidificatore. Collegare saldamente il tubo per assicurarsi che non ci siano perdite d'acqua.

NOTA:

- Il tubo da giardino è venduto separatamente.
- Il diametro interno del tubo di scarico deve essere superiore a 12,7mm.
- Il connettore è progettato solo per i tubi da giardino del Nord America.



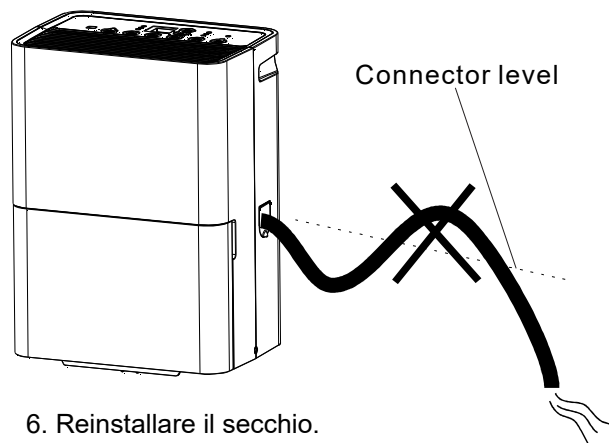
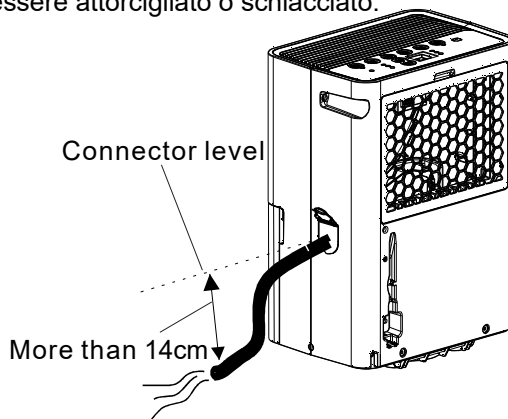
A. Tubo da giardino
B. Svuotare il connettore del tubo

IMPORTANTE:

In Nord America i connettori per tubi da giardino hanno una filettatura diritta (non conica) di 3/4 di diametro con un passo di 4,52 filetti per cm (la parte maschio ha un diametro esterno di 26,99mm).

AVVERTENZA Fare attenzione a non ferirsi le mani durante il collegamento del tubo.

5. Collocare l'altra estremità del tubo da giardino in uno scarico a pavimento. Controllare che il tubo sia in piano e che sia inserito nello scarico. Assicurarsi che tutte le parti del tubo si trovino a un livello inferiore rispetto al connettore del tubo sul deumidificatore. Inoltre, l'uscita del tubo deve essere più bassa di almeno 14 cm rispetto al connettore del tubo. Il tubo non deve essere attorcigliato o schiacciato.



6. Reinstallare il secchio.

NOTA:

- Per utilizzare il secchio senza il tubo da giardino, è sufficiente rimuovere il tubo da giardino e coprire il tappo di gomma.
- Il secchio deve essere installato e allineato correttamente affinché il deumidificatore funzioni con o senza un tubo da giardino collegato.

Suoni normali

Quando il deumidificatore funziona normalmente, si potrebbero sentire suoni come:

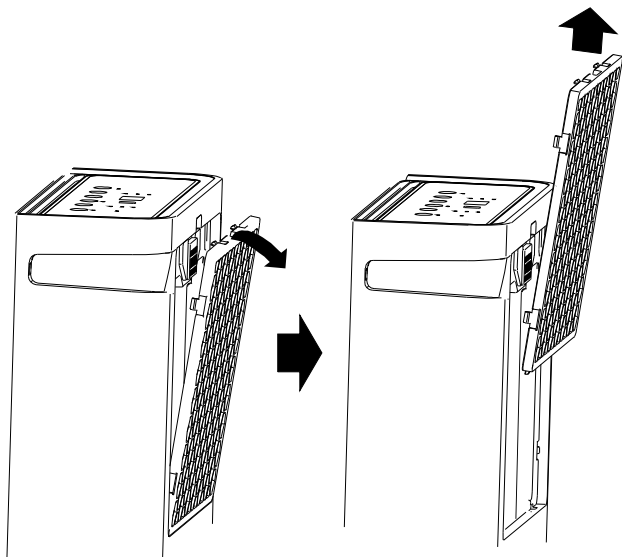
- Suoni del compressore, che potrebbero essere rumorosi.
- Il movimento dell'aria dalla ventola.
- Ticchettii quando il deumidificatore o il compressore si accendono e si spengono e quando l'interruttore di spegnimento automatico è in funzione.

MANUTENZIONE DEL DEUMIDIFICATORE

Il tuo nuovo deumidificatore è progettato per offrire molti anni di servizio affidabile. Questa sezione spiega come pulire e mantenere il tuo deumidificatore.

Per evitare danni al compressore, non conservare o spedire mai l'apparecchio sottosopra o lateralmente.

Pulire il filtro dell'aria.



Il filtro dell'aria è rimovibile per una facile pulizia. Un filtro pulito aiuta a rimuovere polvere, lanugine e altre particelle dall'aria ed è importante per una migliore efficienza operativa. Controllare il filtro ogni due settimane per vedere se è necessario pulirlo.

1. Spegnerne il deumidificatore.
2. Rimuovere il filtro dell'aria.
3. Utilizzare un aspirapolvere per pulire il filtro dell'aria se il filtro dell'aria è sporco, lavarlo in acqua calda con un detergente delicato.
4. Reinstallare il filtro dell'aria.
5. Accendere il deumidificatore.

NOTA:

Non lavare il filtro dell'aria in lavastoviglie o utilizzare detergenti chimici. Filtro dell'aria completamente a secco prima della reinstallazione per garantire la massima efficienza operativa.

Pulizia del deumidificatore

Esterno

1. Spegnerne il deumidificatore e scollegare il cavo di alimentazione.
2. Spolverare la superficie dell'unità con un panno morbido o l'attacco per spolverare dell'aspirapolvere.

Secchio d'acqua

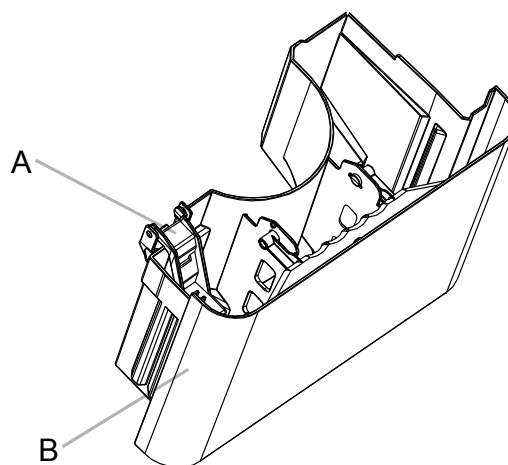
Ogni poche settimane, sciacquare l'interno del secchio d'acqua con un detergente delicato per evitare la crescita di muffe, funghi e batteri.

Galleggiante livello dell'acqua

Il secchio dell'acqua del deumidificatore ha un galleggiante di livello dell'acqua. Non danneggiare o rimuovere il galleggiante del livello dell'acqua del secchio. Se il galleggiante non è posizionato correttamente, la spia del secchio vuoto si accenderà, impedendo il funzionamento e potrebbe causare perdite.

NOTA:

Assicurarsi che il galleggiante sia inserito correttamente in posizione.



- A. Galleggiante del livello dell'acqua
B. Secchio


RISOLUZIONE DEI PROBLEMI

Prima di chiamare l'assistenza, provare i suggerimenti seguenti.

Il deumidificatore non funzionerà

- Il deumidificatore è acceso?
Accendere il deumidificatore.

⚠ AVVERTENZA



Pericolo di scossa elettrica

Inserirlo in una presa a terra con tre spinotti.
Non rimuovere lo spinotto di terra.
Non usare un adattatore.
Non utilizzare nessuna prolunga.
La mancata osservanza di queste istruzioni può dar luogo a morte incendio o scossa elettrica.

- Il cavo di alimentazione è inserito in una presa a tre poli con messa a terra?
Inserirlo in una presa a terra con tre spinotti.
Vedere "Requisiti elettrici" a pagina 12.
- Un fusibile per uso domestico è saltato o è scattato un interruttore?
Sostituire il fusibile o ripristinare l'interruttore automatico. Se il problema persiste, chiamare un elettricista.
Vedere "Requisiti elettrici" a pagina 12.

- Il secchio è installato correttamente?
Reinstallare il secchio in modo che si adatti completamente al deumidificatore.
- Il secchio deve essere svuotato?
Svuotare il secchio.
- Il galleggiante del livello dell'acqua è in posizione?
Rimuovere il secchio. Assicurarsi che il galleggiante sia bloccato in posizione. Reinstallare il secchio.
- Il deumidificatore ha smesso improvvisamente di funzionare e non si accende?
Verificare che l'alimentazione sia collegata e che il secchio sia in posizione. Se l'unità continua a non funzionare, chiamare Hisense per l'assistenza in garanzia.

Il deumidificatore funziona ma non deumidifica

- Tutti i modelli hanno una funzione di sbrinamento automatico che spegne il compressore e consente al ventilatore di funzionare. Quando la funzione di sbrinamento rileva la corretta temperatura operativa, il compressore si riaccende.
- Il filtro è sporco o ostruito da detriti.
Pulire il filtro.

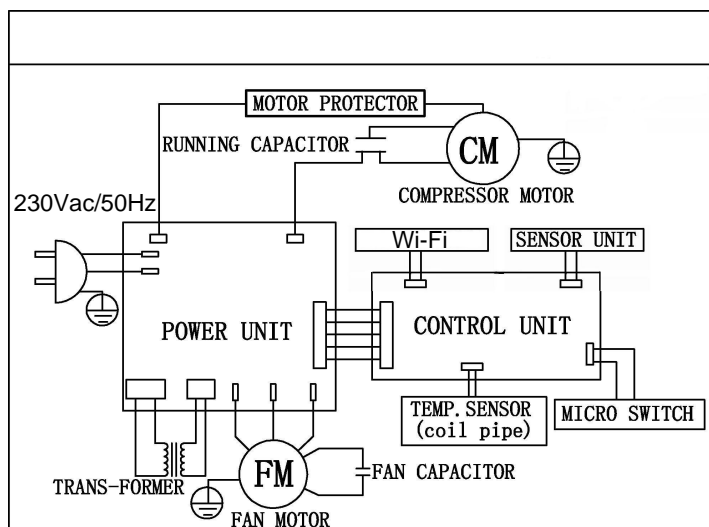
L'aria proveniente dal deumidificatore è calda

- Il deumidificatore emetterà aria calda in normali condizioni operative.

Il deumidificatore visualizza i codici di errore

- Se il deumidificatore visualizza un codice di errore, contattare il servizio clienti Hisense.

SCHEMA DEL CIRCUITO



Hisense

Guía de uso y cuidado del deshumidificador

Muchas gracias por comprar este deshumidificador. Lea detenidamente estas instrucciones de uso y cuidado antes de utilizar el aparato y conserve el manual para futuras consultas.

ÍNDICE

VISTA GENERAL DEL PRODUCTO	1
PRECAUCIONES DE SEGURIDAD	2
SEGURIDAD DEL DESHUMIDIFICADOR	9
REQUISITOS DE INSTALACIÓN	12
Requisitos eléctricos	12
Requisitos de ubicación	12
USO DEL DESHUMIDIFICADOR	13
Ajuste de los controles	13
Drenar el deshumidificador	15
Sonidos normales	16
CUIDADO DEL DESHUMIDIFICADOR	17
Limpiar el filtro de aire	17
Limpiar el deshumidificador	17
RESOLUCIÓN DE PROBLEMAS	18

INSTRUCCIONES DE SEGURIDAD

Este aparato puede ser utilizado por niños mayores de 8 años y por personas con capacidades físicas, sensoriales o mentales reducidas o falta de experiencia y conocimientos si están supervisados o han recibido instrucciones relativas al uso del aparato de forma segura y si comprender los riesgos asociados. Los niños no deben jugar con el aparato. La limpieza y el mantenimiento no deben realizarlos niños sin supervisión.

Los niños deben estar supervisados para garantizar que no jueguen con el aparato. Si el cable de alimentación está dañado, debe sustituirlo el fabricante, su agente de mantenimiento o personas cualificadas similares para evitar riesgos. El aparato debe instalarse de acuerdo con la normativa nacional de cableado. El rango de presiones estáticas externas es de -0,2 Pa a 0,2 Pa. Mantenga la unidad a una distancia de 5 m o más de las superficies combustibles.

No utilice el climatizador en salas húmedas, como cuartos de baño o lavanderías.

PROTEGER EL ENTORNO

Este aparato está fabricado con materiales reciclables o reutilizables. El desguace del mismo debe realizarse siguiendo las normativas locales de eliminación de residuos. Antes de desguazarlo, asegúrese de cortar los cables eléctricos de forma que no pueda reutilizarse el aparato.

Para obtener información más detallada de la manipulación y el reciclaje de este producto, póngase en contacto con las autoridades locales que gestionen la recogida separada de residuos o con la tienda donde compró el aparato.

DESGUACE DEL APARATO

Este aparato tiene está certificado bajo la Directiva Europea 2012/19/UE de residuos de aparatos eléctricos y electrónicos (RAEE).

Esta marca indica que no se debe eliminar el producto con otros residuos doméstico en la UE. Para evitar posibles daños al medio ambiente o a la salud debidos a la eliminación descontrolada de residuos, recíclelo de forma responsable para fomentar la reutilización sostenible de los recursos materiales. Para devolver su dispositivo usado, utilice los sistemas de devolución y recogida o póngase en contacto con el distribuidor donde compró el producto.





Ellos pueden hacerse cargo del producto para reciclarlo de forma segura para el medio ambiente.



PRECAUCIÓN

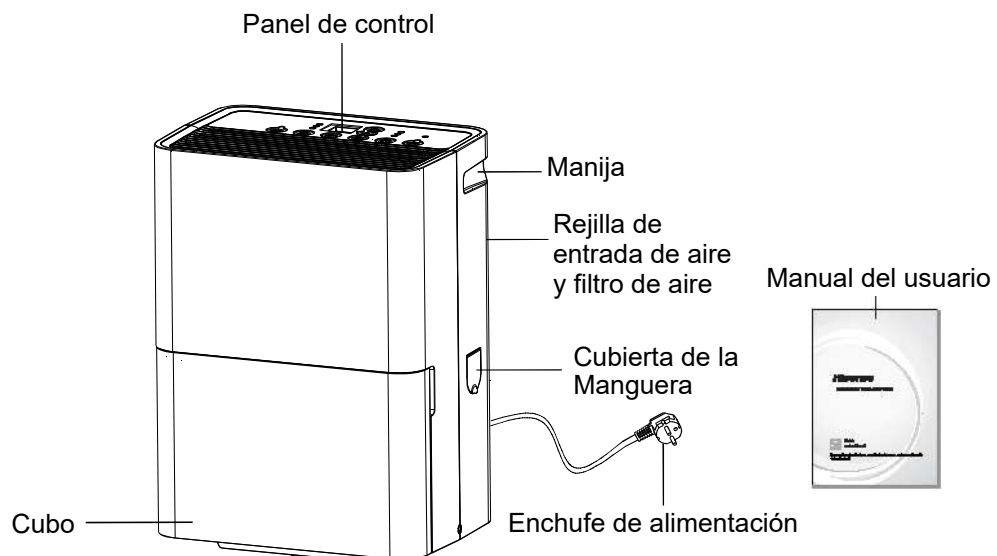
- No utilice medios para acelerar el proceso de descongelación o de limpieza que no sean los recomendados por el fabricante.
- Se debe almacenar el aparato en una sala sin fuentes de ignición en funcionamiento continuo (por ejemplo, llamas vivas, aparatos de gas o calentadores eléctricos en funcionamiento)
- No lo perforo ni queme.
- Tenga en cuenta que los refrigerantes pueden no contener un olor.
- Se debe instalar, operar y almacenar el aparato en una sala con un área de suelo mayor de 5 m².
- Los espacios con tuberías de refrigerante deben cumplir las normativas nacionales sobre gas.
- El mantenimiento debe realizarse siguiendo las recomendaciones del fabricante.
- Debe almacenar el aparato en una zona bien ventilada donde el tamaño de la sala corresponda al área de la sala especificada para la operación.
- Todo procedimiento de trabajo que afecta a la seguridad debe se realizado por personas competentes.
- Se debe almacenar el aparato en una sala sin llamas vivas (por ejemplo, aparatos de gas) ni fuentes de ignición (por ejemplos, calentadores eléctricos en funcionamiento).
- El aparato debe almacenarse para prevenir que le ocurran daños mecánicos.
- Todas las personas implicadas en el trabajo o el mantenimiento de un circuito refrigerante debe contar con un certificado válido y vigente de una autoridad de evaluación acreditada, que autorice su competencia para manipular refrigerantes de forma segura en conformidad con una especificación de evaluación reconocida por la industria.
- El mantenimiento debe realizarse únicamente según las recomendaciones del fabricante del equipo. Los trabajos de mantenimiento y reparación que requieran asistencia de otro personal cualificado se deben realizar bajo la supervisión de una persona competente en el uso de refrigerantes inflamables.

Explicación de los símbolos mostrados en el aparato:

 Precaución, riesgo de incendio	ADVERTENCIA	Este símbolo muestra que este aparato utiliza un refrigerante inflamable. Si hay una fuga de refrigerante y queda expuesto a una fuente de ignición externa, existe el riesgo de incendio.
	PRECAUCIÓN	Este símbolo muestra que se debe leer detenidamente el manual de funcionamiento.
	PRECAUCIÓN	Este símbolo muestra que un técnico de mantenimiento debe manipular este equipo en referencia al manual de instalación.
	PRECAUCIÓN	Este símbolo muestra que hay información disponible, como el manual de funcionamiento o el manual de instalación.

Parámetros del fusible de la máquina: (T2,5A, 250V).

VISTA GENERAL DEL PRODUCTO



NOTA:

Las figuras de este manual están basadas en la vista externa de un modelo estándar. Podrían ser diferentes al deshumidificador que ha adquirido

PRECAUCIONES DE SEGURIDAD

Precauciones para usar el refrigerante R290

Los procedimientos de trabajo básico de instalación son los mismos que con refrigerante convencional (R22 o R410A). Sin embargo, preste atención a los puntos siguientes:

PRECAUCIÓN

1. Transporte de equipo que contenga refrigerantes inflamables

Cumplimiento con las regulaciones de transporte.

2. Marcas de equipo usando señalización.

Cumplimiento de las regulaciones locales.

3. Eliminación de equipo que use refrigerantes inflamables.

Cumplimiento de las regulaciones nacionales.

4. Almacenamiento de equipo/aparatos.

El almacenamiento de equipo debe realizarse en cumplimiento de las instrucciones del fabricante.

5. Almacenamiento del equipo embalado (no vendido).

- La protección del embalaje de almacenamiento se debe construir de forma que los daños mecánicos al equipo de su interior del embalaje no cause filtraciones de la carga de refrigerante.
- El número máximo de piezas de equipo permitidas para que se almacenen juntas estará determinado por las regulaciones locales.

6. Información sobre el mantenimiento

6-1 Comprobaciones de la zona

Antes de empezar el trabajo en sistemas que contienen refrigerantes inflamables, son necesarias las comprobaciones de seguridad para garantizar que el riesgo de ignición esté minimizado. Para realizar reparaciones en el sistema de refrigeración, se deben respetar las siguientes precauciones antes de trabajar en el sistema.

6-2 Procedimiento de trabajo

El trabajo debe realizarse bajo un procedimiento controlado para minimizar el riesgo de que haya presentes gases o vapores inflamables mientras se realiza el trabajo.

6-3 Zona de trabajo general

- Todo el personal de mantenimiento y de otros departamentos que trabajan en la zona local debe estar instruido sobre la naturaleza del trabajo a realizar. Se debe evitar trabajar en espacios confinados.
- La zona alrededor del área de trabajo debe estar aislada. Asegúrese de que las condiciones del interior de la zona sean seguras controlando el material inflamable.

6-4 Checking for presence of refrigerant

- The area shall be checked with an appropriate refrigerant detector prior to and during work, to ensure the technician is aware of potentially flammable atmospheres.
- Ensure that the leak detection equipment being used is suitable for use with flammable refrigerants, i.e. non-sparking, adequately sealed or intrinsically safe.

PRECAUCIÓN

6-5 Presencia de un extintor de incendios

- Si se deben realizar trabajos en caliente con el equipo de refrigeración o alguna pieza asociada, el equipo de extinción de incendios adecuado debe estar accesible.
- Tenga un extintor de incendios de polvo seco o de CO2 adyacente a la zona de carga.

6-6 Ausencia de fuentes de ignición

- Ninguna persona que realice trabajos relacionados con un sistema de refrigeración que implique exponer tuberías que contienen o hayan contenido refrigerantes inflamables deberá usar fuentes de ignición de manera que pueda generar un riesgo de incendio o explosión.
- Todas las fuentes de ignición, entre ellas cigarrillos, deben mantenerse lo suficientemente alejadas del sitio del trabajo de instalación, reparación, retirada o eliminación, durante el que pudiera liberarse refrigerante inflamable al espacio adyacente.
- Antes de que tenga lugar el trabajo, se debe inspeccionar la zona alrededor del equipo para asegurarse de que no existan peligros inflamables ni riesgos de ignición. Debe haber presentes señales de "No fumar".

6-7 Zona ventilada

- Asegúrese de que la zona esté abierta o ventilada adecuadamente antes de acceder al sistema o realizar trabajos en caliente.
- Se debe mantener la ventilación durante el periodo en que se lleve a cabo el trabajo.
- La ventilación debe dispersar de forma segura los refrigerantes liberados y, preferiblemente, expulsar a la atmósfera exterior.

6-8 Comprobaciones del equipo de refrigeración

- Cuando se estén cargando componentes eléctricos, deben ser adecuados para su finalidad y según la especificación correcta.
- Se deben seguir en todo momento las pautas de mantenimiento y servicio del fabricante. Si tiene dudas, consulte con el departamento técnico del fabricante.
- Se deben realizar las siguientes comprobaciones de las instalaciones que usen refrigerantes inflamables:
 - El tamaño de la carga deberá conformarse al tamaño de la sala donde estén instaladas las piezas que contengan refrigerante.
 - La maquinaria y las salidas de ventilación deben operarse adecuadamente y no estar obstruidas.
 - Si se utiliza un circuito de refrigeración indirecta, se debe comprobar la presencia de refrigerante en el circuito secundario.
 - Las marcas del equipo siguen siendo visibles y legibles. Las marcas y señalización que sean ilegibles serán corregidas.
 - El tipo de refrigeración o los componentes están instalados en una posición en la que es improbable que se vean expuestos a sustancias que puedan corroer los componentes que contienen refrigerante, excepto si los componentes están

PRECAUCIÓN

construidos con materiales que sean inherentemente resistentes a la corrosión o estén protegidos adecuadamente contra la corrosión.

6-9 Comprobaciones de los dispositivos eléctricos

- La reparación y el mantenimiento de los componentes eléctricos debe incluir las comprobaciones iniciales de seguridad y los procedimientos de inspección de los componentes.
- Si existiera algún fallo que pudiera comprometer la seguridad, no se debe conectar la alimentación eléctrica al circuito hasta que se gestione de forma satisfactoria.
- Si no se puede corregir inmediatamente el fallo pero es necesario continuar con la operación, se deberá usar una solución temporal adecuada.
- Se deberá informar al propietario del equipo para que todas las partes lo conozcan.
- Las comprobaciones iniciales de seguridad incluyen.
 - Que los condensadores estén descargados: se debe realizar de manera segura para evitar la posibilidad de creación de chispas.
 - Que no haya componentes eléctricos con carga eléctrica ni cables expuestos durante la carga, recuperación o purga del sistema.
 - Que se mantenga la conexión a tierra.

7. Reparación de los componentes sellados

- Durante la reparación de los componentes sellados, se debe desconectar toda alimentación eléctrica desde el equipo sobre el que se trabaja antes de retirar las tapas selladas, etc.
- Si es absolutamente necesario tener alimentación eléctrica al equipo durante el mantenimiento, se debe disponer permanentemente de una forma de detección de fugas en el punto más crítico para advertir de una situación potencialmente peligrosa.
- Se debe prestar especial atención a los siguientes factores para garantizar que, al trabajar en los componentes eléctricos, la carcasa no sea alterada de forma que el nivel de protección se vea afectado.
- Esto incluye daños a los cables, un número excesivo de conexiones, terminales no realizados según la especificación original, daños en las juntas, instalación incorrecta, etc.
- Asegúrese de que el aparato esté montado de forma segura.
- Asegúrese de que los sellos o los materiales sellantes no se hayan degradado de forma que ya no puedan evitar la entrada de atmósferas inflamables.
- La sustitución de piezas debe realizarse en conformidad con las especificaciones del fabricante.

NOTA:

El uso de selladores de silicona podría inhibir la eficacia de algunos tipos de equipos de detección de fugas. Los componentes intrínsecamente seguros no necesitan estar aislados antes de trabajar con ellos.

8. Reparación de componentes intrínsecamente seguros

- No aplique cargas de capacitancia o inductivas permanentes al circuito sin asegurarse de que no exceda la tensión y la corriente permitidas para el equipo en uso.

PRECAUCIÓN

- En presencia de atmósferas inflamables solo se puede trabajar con componentes intrínsecamente seguros. El aparato de prueba debe tener la calificación correcta.
- Utilice solo piezas especificadas por el fabricante para sustituir los componentes.
- Otras piezas podrían provocar la ignición del refrigerante que se haya filtrado a la atmósfera.

9. Cableado

- Compruebe que el cableado no esté sujeto a desgaste, corrosión, presión excesiva, vibraciones, bordes afilados u otros efectos adversos del entorno.
- La comprobación debe tener en cuenta los efectos del envejecimiento o la vibración continua originados por compresores o ventiladores.

10. Detección de refrigerantes inflamables

- Bajo ninguna circunstancia deben usarse fuentes potenciales de ignición para buscar o detectar fugas de refrigerante.
- No se deben usar linternas de halógenos (ni otros detectores que usen llamas vivas).

11. Métodos de detección de fugas

- Los siguientes métodos de detección de fugas son considerados aceptables para sistemas que contengan refrigerantes inflamables:
 - Se deben usar detectores electrónicos de fugas para detectar refrigerantes inflamables, pero la sensibilidad podría no ser adecuada o podría ser necesario recalibrarlos (el equipo de detección debe calibrarse en una zona sin refrigerante.)
 - Asegúrese de que el detector no sea una fuente potencial de ignición y que sea adecuado para el refrigerante usado.
 - El equipo de detección de fuga se establecerá en un porcentaje del LFL del refrigerante y se calibrará para el refrigerante empleado y se confirmará el porcentaje de gas (máximo 25%) adecuado.
 - Los líquidos de detección de fugas son adecuados para usar con la mayoría de refrigerantes, pero se debe evitar usar detergentes que contengan cloro, ya que podría reaccionar con el refrigerante y corroer las tuberías de cobre.
 - Si se sospecha que hay fugas, se debe retirar/extinguir todas las llamas vivas.
 - Si se encuentra una fuga de refrigerante que requiera soldadura, se debe recuperar todo el refrigerante del sistema o aislarlo (mediante válvulas de cierre) en una parte del sistema alejada de la fuga.
 - Después se debe purgar el nitrógeno sin oxígeno del sistema antes y durante el proceso de soldadura.

12. Retirada y evacuación

- Al acceder al circuito de refrigerante para realizar las reparaciones, o con otros fines, se deben utilizar los procedimientos convencionales.
- Sin embargo, es importante seguir las buenas prácticas ya que la inflamabilidad es una consideración.
- Se debe respetar el siguiente procedimiento:
 - Retirar el refrigerante.
 - Purgar el circuito con gas inerte.

PRECAUCIÓN

- Evacuar.
- Purgar otra vez con gas inerte.
- Abrir el circuito con cortes o soldaduras.
- Se debe recuperar la carga de refrigerante con los cilindros de recuperación correctos.
- Se debe “purgar” el sistema con nitrógeno sin oxígeno para que la unidad sea segura.
- Es posible que sea necesario repetir este proceso varias veces.
- No se debe usar aire comprimido ni oxígeno para realizar esta tarea.
- La purga debe realizarse rompiendo el vacío del sistema con nitrógeno sin oxígeno y llenándolo hasta alcanzar la presión de trabajo, después ventilándolo a la atmósfera y, por último, aplicando un vacío.
- Este proceso debe repetirse hasta que no quede refrigerante en el sistema. Cuando se use una carga de nitrógeno sin oxígeno, se debe ventilar el sistema con una presión atmosférica para permitir que tenga efecto.
- Esta operación es absolutamente fundamental si se requieren soldaduras en las tuberías.
- Asegúrese de que la salida de la bomba de vacío no esté cerca de fuentes de ignición y que se disponga de ventilación.

13. Procedimientos de carga

- Además de los procedimientos de carga convencionales, se debe cumplir los siguientes requisitos:
 - Garantizar que no haya contaminación de diferentes refrigerantes al usar el equipo de carga.
 - Las mangueras o tuberías deben ser lo más cortas posibles para minimizar la cantidad de refrigerante contenido en ellas.
 - Los cilindros deben permanecer en posición vertical.
 - Garantizar que el sistema de refrigeración esté conectado a tierra antes de cargar el sistema con refrigerante.
 - Etiquetar el sistema cuando la carga esté completa (si no lo está ya).
 - Se debe tener mucho cuidado para no sobrecargar el sistema de refrigeración.
- Antes de recargar el sistema, se debe probar la presión con nitrógeno sin oxígeno.
- Se debe comprobar si hay fugas en el sistema al finalizar la carga pero antes de ponerlo en marcha.
- Se debe realizar una segunda prueba de fugas antes de abandonar el sitio.

14. Desmantelamiento

- Antes de llevar a cabo este procedimiento, es fundamental que el técnico esté completamente familiarizado con el equipo y todos sus detalles.
- Una buena práctica recomendada es recuperar de forma segura todos los refrigerantes.
- Antes de llevar a cabo la tarea, se debe tomar una muestra de aceite y de refrigerante en caso de que sea necesario un análisis antes de reutilizar el refrigerante recuperado. Es fundamental disponer de alimentación eléctrica antes de comenzar la tarea.
 - a) Familiarícese con el equipo y su funcionamiento.
 - b) Aísle eléctricamente el sistema.

PRECAUCIÓN

- c) Antes de intentar el procedimiento, asegúrese de que:
 - Haya disponibles equipos de manipulación mecánica, si fuera necesario, para manipular los cilindros de refrigerante.
 - Todo el equipo de protección personal esté disponible y se utilice correctamente.
 - El proceso de recuperación esté supervisado en todo momento por una persona competente.
 - El equipo y los cilindros de recuperación sean conformes a la normativa pertinente.
- d) Bombear el sistema del refrigerante, si fuera necesario.
- e) Si no es posible realizar un vacío, utilice un distribuidor de forma que se pueda retirar el refrigerante desde varias partes del sistema.
- f) Asegúrese de que el cilindro esté situado en las escalas antes de llevar a cabo la recuperación.
- g) Inicie la máquina de recuperación y opérela siguiendo las instrucciones del fabricante.
- h) No sobrecargue los cilindros (no más de un 80% de volumen de carga de líquido).
- l) No exceda la presión de trabajo máxima del cilindro, ni siquiera temporalmente.
- j) Cuando se hayan llenado correctamente los cilindros y se haya completado el proceso, asegúrese de retirar inmediatamente los cilindros y el equipo del sitio y que todas las válvulas de aislamiento estén cerradas.
- k) No se debe cargar el refrigerante recuperado en otro sistema de refrigeración excepto si se ha limpiado y comprobado.

15. Etiquetado

- Se debe etiquetar el equipo indicando que ha sido desmantelado y vaciado de refrigerante.
- La etiqueta debe indicar la fecha y estar firmada.
- Asegúrese de que haya etiquetas en el equipo indicando que contiene refrigerante inflamable.

16. Recuperación

- Al retirar refrigerante de un sistema, ya sea para realizar el mantenimiento o desmantelarlo, una buena práctica recomendada es retirar de forma segura todos los refrigerantes.
- Al transferir refrigerante a los cilindros, asegúrese de emplear únicamente cilindros de recuperación de refrigerante adecuados.
- Asegúrese de disponer del número correcto de cilindros para contener la carga total del sistema.
- Todos los cilindros a usar están designados para el refrigerante recuperado y etiquetados para ese refrigerante (es decir, cilindros especiales para recuperar refrigerante).
- Se completará los cilindros con una válvula de alivio de presión y válvulas de cierre relacionadas en buen funcionamiento.
- Los cilindros de recuperación vacíos se evacúan y, si es posible, enfrían antes de la recuperación.

 **PRECAUCIÓN**

- El equipo de recuperación debe estar en buen funcionamiento con un conjunto de instrucciones relativas al equipo disponible y debe ser adecuado para la recuperación de refrigerantes inflamables.
- Además, se debe disponer de un juego de básculas de pesaje calibradas y en buen funcionamiento.
- Las mangueras deben estar completadas con acoples de desconexión sin fugas y en buen funcionamiento.
- Antes de usar la máquina de recuperación, compruebe que funcione satisfactoriamente, haya sido mantenido adecuadamente y que los componentes eléctricos asociados estén sellados para evitar la ignición en caso de liberación del.
- Si tiene dudas, consulte con el fabricante.
- El refrigerante recuperado debe ser devuelto al proveedor en el cilindro de recuperación correcto y con la nota de transferencia de residuos concertada.
- No mezcle refrigerantes en unidades de recuperación y, especialmente, en cilindros.
- Si fuera necesario retirar los compresores o los aceites compresores, asegúrese de que hayan sido evacuados a un nivel aceptable para garantizar que no quede refrigerante inflamable dentro del lubricante.
- Se debe llevar a cabo el proceso de evacuación antes de devolver el compresor a los proveedores.
- Solo se debe emplear calefacción eléctrica en el cuerpo del compresor para acelerar este proceso.
- El drenaje de aceite de un sistema debe realizarse de forma segura.

SEGURIDAD DEL DESHUMIDIFICADOR

Su seguridad y la seguridad de los demás es muy importante

Hemos incluido muchos mensajes de seguridad importantes en este manual y en el aparato. Lea y siga siempre todos los mensajes de seguridad.



Este es el símbolo de alerta de seguridad.

Este símbolo es una alerta de peligros potenciales que podrían resultar en muerte o lesión propia o de terceros.

“PELIGRO” o “ADVERTENCIA”

Estas palabras significan:



PELIGRO

Un peligro que, si no se evita, resultará en muerte o lesión grave.



ADVERTENCIA

Un peligro que, si no se evita, podría resultar en muerte o lesión grave.

Todos los mensajes de seguridad le indicarán cuál es el peligro potencial, cómo reducir la probabilidad de lesión y qué puede suceder si no se siguen las instrucciones.

INSTRUCCIONES IMPORTANTES DE SEGURIDAD



PELIGRO

Para reducir el riesgo de explosión, incendio, muerte, descarga eléctrica, quemaduras o lesiones personales al usar este aparato, siga las precauciones básicas, entre ellas:

INSTALACIÓN

- Enchufe a una toma con 3 clavijas y conexión a tierra. No retire la clavija de conexión a tierra.
- Nunca intente utilizar este aparato si está dañado, funciona mal, está desmontado parcialmente o le faltan piezas o algunas están rotas, o si el cable o el enchufe están dañados.
- No utilice un adaptador eléctrico ni adaptadores de múltiples tomas con este deshumidificador.
- No utilice un cable alargador.
- Desenchufe el deshumidificador antes de realizar el mantenimiento.
- No beba el agua acumulada en el cubo de agua.
- El aparato no está diseñado para que lo utilicen niños o personas con discapacidades sin supervisión. Se debe supervisar a los niños para garantizar que no jueguen con el aparato.
- Cuando instale o traslade el aparato, tenga cuidado de no pinzar, aplastar o dañar el cable eléctrico.
- Mantenga los materiales de embalaje fuera del alcance de los niños. El material de embalaje podría ser peligroso para los niños. Existe riesgo de asfixia.
- No utilice el aparato en agua estancada ni deje que el salpique agua sobre el producto durante el uso.
- Guarde e instale el aparato donde no esté expuesto a temperaturas por debajo del punto de congelación ni esté expuesto a condiciones climáticas de exteriores.
- Llame a un técnico de servicio autorizado para reparar o sustituir inmediatamente todos los cables eléctricos que hayan resultado dañados. No utilice un cable con grietas o daños por abrasión a lo largo del cable o en los extremos.

- No utilice el producto si la toma está dañada o suelta.
- En caso de fuga de gas propano, gas LP, etc. no utilice ningún aparato. Abra una ventana o puerta para ventilar inmediatamente el área.
- No desmonte, repare ni modifique el producto.
- No almacene ni utilice gases ni materiales inflamables cerca del deshumidificador.

FUNCIONAMIENTO

- Lea todas las instrucciones antes de utilizar el aparato y conserve estas instrucciones.
- No manipule los controles.
- Inserte completamente el enchufe en la toma de pared de forma que no quede suelte.
- No agarre el cable eléctrico ni toque los controles del aparato con las manos húmedas.
- No modifique ni alargue el cable eléctrico.
- Si el producto hace ruidos raros o emite olores o humo, desenchúfelo y póngase en contacto con el servicio al cliente de Hisense.
- Evite colocar el deshumidificador u otros objetos pesados encima del cable de alimentación.
- No utilice agua para limpiar el deshumidificador.
- Mantenga la entrada y salida de aire libre de obstrucciones.
- No cubra el cable de alimentación con alfombras o moquetas. Colocar objetos pesados encima del cable podría dañarlo.
- Mantenga el producto alejado del fuego y el calor elevado.
- No utilice el producto en lugares donde pueda salpicarle agua.
- No inserte los dedos, palos, etc. en la entrada o salida de aire. El ventilador funciona a velocidades elevadas y podría causar lesiones personales.
- No repare ni sustituya ninguna pieza del aparato. Todas las reparaciones y mantenimiento deben ser realizadas por personal de servicio cualificado a menos que esté recomendado específicamente en este manual del usuario. Solo se deben utilizar piezas de fábrica autorizadas.
- Conéctelo a un circuito con la tensión, protección y tamaño adecuados para evitar sobrecargas eléctricas.

GUARDE ESTAS INSTRUCCIONES

⚠️ ADVERTENCIA

Para reducir el riesgo de lesiones personales, mal funcionamiento o daños al producto o a la propiedad al usar este aparato, siga las precauciones básicas, entre ellas:

INSTALACIÓN

- Utilice este aparato solo para la finalidad prevista.
Este producto no está diseñado para guardar instrumentos de precisión, vajillas u obras de arte.
- Nunca desenchufe el aparato estirando del cable eléctrico. Agarre siempre el enchufe con firmeza y estire para sacarlo de la toma.
- No utilice el producto en lugares donde puedan utilizarse productos químicos.
Los productos químicos o disolventes disueltos en el aire podrían provocar una deformación del producto y fugas.
- Apague el deshumidificador y extraiga el enchufe de alimentación antes de limpiarlo.
Espere a que el ventilador deje de moverse.
- No opere el deshumidificador sin un filtro.
Utilizar el producto sin filtro podría resultar en una vida útil del producto reducida, descarga eléctrica o lesiones.

FUNCIONAMIENTO

- No utilice el producto para conservar animales/plantas, instrumentos de precisión, obras de arte, etc.
- No coloque objetos sobre el deshumidificador.
- Apague el deshumidificador y vacíe el cubo de agua antes de trasladar el deshumidificador.
- Retire el enchufe de alimentación si no va a utilizar el producto durante un periodo prolongado.
- No utilice el producto en lugares muy pequeños, como armarios.
Una mala ventilación podría resultar en un sobrecalentamiento.
- No utilice cera, disolvente o detergentes fuertes cuando lo limpie. Limpie el producto utilizando un paño suave.
- No utilice el producto bajo la luz solar directa o la lluvia.
- No toque el producto con las manos húmedas.
- Coloque el producto sobre una superficie firme y estable.
- Retire los sujetacables y extienda el cable de alimentación antes de usarlo.
- No rocíe el producto con sustancias extrañas o agua.

GUARDE ESTAS INSTRUCCIONES


ALMACENAMIENTO Y ELIMINACIÓN DE LA UNIDAD

- Deseche este aparato en conformidad con las leyes federales y locales.
- Se debe evacuar los refrigerantes antes de la eliminación.
- Recicle o elimine el material de embalaje del producto de forma responsable con el medio ambiente.
- Para evitar daños en el compresor, nunca almacene ni envíe el aparato volteado o de lado.

REQUISITOS DE INSTALACIÓN

Requisitos eléctricos

⚠ ADVERTENCIA



Peligro de descarga eléctrica

Enchúfelo siempre a una toma de tres clavijas con conexión a tierra.

No retire la clavija de conexión a tierra.

No utilice adaptadores.

No utilice un cable alargador.

No seguir estas instrucciones puede resultar en muerte, incendio o descarga eléctrica.

Los requisitos eléctricos específicos están enumerados en la gráfica siguiente. Cumpla los requisitos del tipo de enchufe del cable de alimentación.

Requisitos de alimentación



- 220-240V ~ / 50Hz
- Fusible o interruptor con retardo de 15 A

Método de conexión a tierra recomendado

Este deshumidificador debe tener conexión a tierra. El deshumidificador está equipado con un cable de alimentación con un enchufe de tres clavijas con conexión a tierra. El cable debe estar enchufado a una toma compatible de tres clavijas con conexión a tierra y debe tener una conexión a tierra de conformidad con todos los códigos y ordenanzas locales. Si no hay una toma compatible disponible, es responsabilidad del cliente solicitar a un electricista cualificado la instalación de una toma de tres clavijas con conexión a tierra adecuada.

Es responsabilidad del cliente:

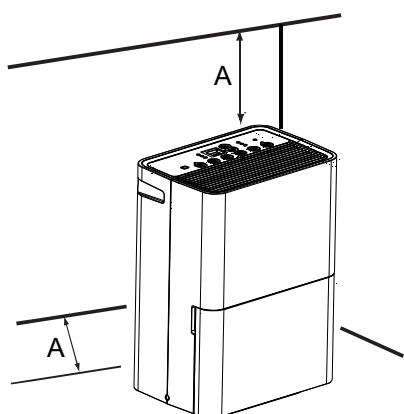
- Contactar con un instalador eléctrico cualificado.
- Garantizar que la instalación eléctrica sea adecuada y conforme al código eléctrico nacional, la última edición de ANSI/NFPA 70 y todos los códigos y ordenanzas locales.

Requisitos de ubicación

⚠ ADVERTENCIA Para reducir el riesgo de lesiones personales, mal funcionamiento o daños al producto o a la propiedad al usar este aparato, siga las precauciones básicas, entre ellas:

NOTA:

- Su modelo podría diferir del mostrado.
- Este producto no puede utilizarse ni almacenarse en un espacio confinado (el área del suelo debe ser superior a 5 m²).
- No lo coloque en el exterior. Este deshumidificador está destinado solo para uso residencial en interiores (debe instalarse, funcionar y almacenarse en un espacio no confinado con una superficie de suelo superior a 5 m²).
- Deje al menos de 30,5 cm a 45,7 cm de espacio en la parte trasera y los lados del deshumidificador para los modelos con rejilla trasera y por encima del deshumidificador para los modelos con rejilla superior.
- Necesitará una superficie lo suficientemente fuerte como para soportar el deshumidificador. No lo coloque sobre una alfombra. Asegúrese de que el deshumidificador esté colocado firmemente antes de ponerlo en marcha para evitar que se vuelque.
- Es necesaria una superficie lo suficientemente nivelada para evitar que se derrame agua cuando el cubo esté lleno.
- No bloquee los paneles de la unidad.
- Nunca opere el deshumidificador en una zona donde sea probable que se acumule agua estancada. Si esto sucediera, desconecte la alimentación antes de entrar al agua por seguridad.
- Apague el deshumidificador, desenchufe el cable de alimentación y vacíe el cubo antes de mover la unidad para evitar fugas de agua o descargas eléctricas.

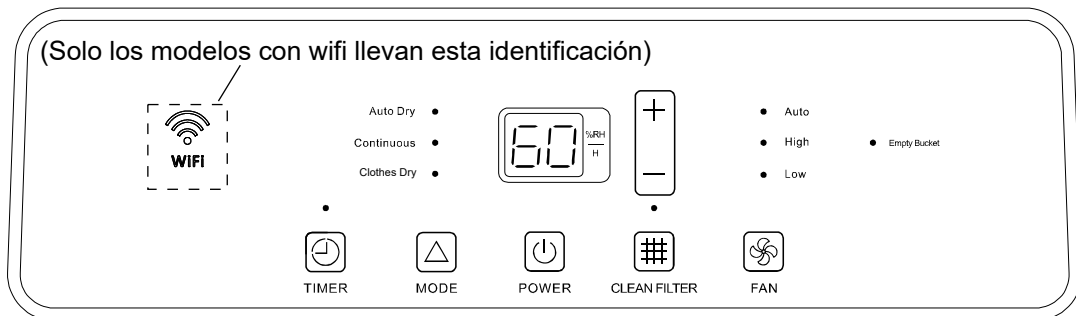


A. 30,5 cm a 45,7 cm

USO DEL DESHUMIDIFICADOR

Ajuste de los controles

Panel de control



NOTA:

- El punto de ajuste es la Humedad Relativa: más bajo es más seco, más alto es menos seco.
- El panel de control de su modelo puede diferir del mostrado anterior.

Iniciar/Detener el deshumidificador

⚠ ADVERTENCIA El deshumidificador debe estar en posición vertical durante al menos 2 horas antes de usarlo.

⚠ ADVERTENCIA No retire el cubo de agua durante el uso normal, ya que existe el riesgo de descarga eléctrica. Si desea trasladar el deshumidificador, asegúrese de desconectar primero el enchufe de alimentación.

NOTA:

- Antes de encender el deshumidificador, asegúrese de que el cubo está vacío y completamente encajado en el deshumidificador.
- Cada vez que desenchufe el deshumidificador o se interrumpa la alimentación, los controles volverán a los ajustes previos cuando se restaure la alimentación.
- La humedad mostrada es una humedad relativa de entre el 30 % y el 90 %.
- La humedad puede ajustarse en humedad relativa de entre el 30 % y el 80%.
- Es importante ajustar el nivel de humedad deseado en un ajuste posible. Para garantizar un funcionamiento de bajo consumo, utilice el deshumidificador únicamente en espacios cerrados sin ventanas abiertas u otras fuentes de aire húmedo (para evitar el funcionamiento continuo).
- La temperatura de funcionamiento es de entre el 5 °C y el 32 °C. La humedad relativa es de entre 30 % HR y el 80 % HR. A temperaturas de 5 °C o menos, el agua se congela dentro del producto. A temperaturas superiores a 32 °C, la temperatura interna del producto dispara un dispositivo de protección que desactiva el producto para evitar daños.
- El compresor tiene un retardo de 3 minutos antes de reiniciarse. Si se detiene el producto y se reinicia inmediatamente, hay un retardo del reinicio de 3 minutos para proteger el compresor.

- Cuando el deshumidificador está funcionando, la temperatura interna aumentará. El deshumidificador no tiene función de enfriamiento/calentamiento. Durante el funcionamiento se genera calor, por lo que la temperatura ambiente puede aumentar alrededor de 5 °C según las condiciones de uso (temperatura interior y tamaño de la sala).

⚠ ADVERTENCIA



Peligro de descarga eléctrica

Enchúfelo siempre a una toma de tres clavijas con conexión a tierra.
No retire la clavija de conexión a tierra.
No utilice adaptadores.
No utilice un cable alargador.
No seguir estas instrucciones puede resultar en muerte, incendio o descarga eléctrica.

1. Conéctelo a un tomacorriente de tres clavijas con conexión a tierra.
2. Presione POWER para encender el deshumidificador.
3. Presione FAN para seleccionar la velocidad del ventilador.
4. Presione MODE para elegir el modo (Auto Dry/Continuous/Clothes Dry/Manual Set).
5. Presione el botón Más o Menos para ajustar el nivel de humedad en el modo de ajuste manual.
6. Presione POWER para apagar el deshumidificador.



NOTA:

En el caso de que haya un corte o una interrupción de energía, el deshumidificador se reiniciará automáticamente con la última configuración utilizada cuando se restablezca la alimentación.

Velocidad del Ventilador

1. Presione FAN para seleccionar la velocidad del ventilador.
2. Seleccione Low (Baja), High (Alta) o Auto.



- Low - Alcanza la configuración de humedad deseada con el nivel de sonido más bajo.
- High - Alcanza más rápido la configuración de humedad deseada.
- Auto - Alcanza la humedad establecida a una velocidad normal.

NOTA:

Una vez que la humedad relativa de la habitación alcance el nivel deseado, el compresor se detendrá y el ventilador se apagará periódicamente. El ventilador se puede encender periódicamente para leer el nivel de humedad sin que el compresor funcione.

Desired Humidity-Mode

1. Presione MODE para seleccionar la configuración de humedad deseada.
 - Modo de secado automático: la luz de secado automático está encendida.
 - Modo de secado continuo: la luz de secado continuo está encendida.
 - Modo de secado de ropa: la luz de secado de ropa está encendida.
 - Modo de ajuste manual: La luz de secado automático, la luz de secado continuo y la luz de secado de ropa están apagadas.



2. Seleccione Auto Dry (secado automático), Continuous (continuo), Clothes Dry (secado de ropa) or Manual Set (ajuste manual).
 - Auto Dry: El deshumidificador funcionará solo en el modo seco. La velocidad del ventilador se ajusta automáticamente. La humedad deseada se ajusta automáticamente al 50%.
 - Continuous: El deshumidificador funcionará continuamente. La velocidad del ventilador se puede ajustar. La humedad deseada no se puede ajustar.
 - Clothes Dry: El deshumidificador funcionará en el modo de deshumidificación fuerte y seca automáticamente la ropa según la humedad real de la habitación. Al final de la operación de secado, el modo de secado saldrá automáticamente y el indicador de modo de ropa empezará a parpadear. Al volver a presionar la tecla de modo, volverá a entrar en el modo de secado y el indicador de modo pasará de parpadear a encenderse. La humedad deseada no se puede ajustar.
 - Manual Set: El deshumidificador funcionará a la velocidad del ventilador seleccionada para establecer el nivel de humedad. Si el nivel de humedad de la sala es superior al ajuste de humedad deseado, el compresor se encenderá. Si el nivel de humedad de la sala es inferior al ajuste de humedad deseado, el compresor y el ventilador se apagarán.

NOTA:

La función de deshielo apagará el compresor en caso de baja temperatura. Cuando el dispositivo de deshielo detecte la temperatura de funcionamiento correcta, el ciclo del compresor volverá a iniciarse. Es normal que haya cierta congelación cuando se utiliza un deshumidificador a baja temperatura.

Luz de Cubo Vacío

Si esta luz se enciende, el ventilador y el compresor

dejarán de funcionar. Esta luz indica que es necesario revisar:

- Si el cubo está lleno, vacíelo y vuelva a colocarlo.
- Si el cubo no está bien colocado, retírelo y vuelva a instalarlo. Asegúrese de que el cubo esté completamente encajado en el deshumidificador y la luz del cubo esté apagado, de lo contrario, el deshumidificador no funcionará.

Potencia

Presione POWER para encender o apagar el deshumidificador.



Nivel de Humedad

1. Presione el botón Más o Menos para ajustar el nivel de humedad deseado. La humedad deseada parpadeará en la pantalla digital durante 5 segundos después del funcionamiento.



2. La humedad actual de la habitación se mostrará después de que la humedad deseada parpadee durante 5 segundos.

NOTA:

La humedad solo se puede establecer manualmente en el modo Manual Set. En el modo Continuous y Auto Dry, el nivel de humedad se establece automáticamente.

Pantalla Digital

La pantalla muestra la humedad relativa o la hora (dependiendo del ajuste).

1. Cuando el deshumidificador funciona en el modo Manual Set, la pantalla muestra la humedad relativa de la habitación.
2. Cuando se selecciona el temporizador, la pantalla muestra la hora en la cual el deshumidificador se encenderá o apagará, dependiendo del ajuste.



NOTA:

La humedad mostrada es solo de referencia. Para conocer la humedad precisa, utilice un higrómetro.

Temporizador

Para ajustar el retraso del Temporizador desde 30 minutos a 24 horas antes de que el deshumidificador se apague (el deshumidificador debe estar encendido):

1. Presione TIMER. La luz indicadora del temporizador se encenderá y la pantalla parpadeará. La pantalla mostrará el tiempo restante antes de que el deshumidificador se apague.



- Presione el botón Más o Menos para cambiar el tiempo de retraso, desde 30 minutos hasta 24 horas.

Para ajustar el temporizador para encender el deshumidificador, utilice los ajustes anteriores:

- Apague el deshumidificador.
- Presione TIMER. El indicador del temporizador se parpadeará.
La pantalla mostrará el tiempo restante antes de que el deshumidificador se encienda.
- Presione el botón Más o Menos para cambiar el tiempo de retraso, desde 30 minutos hasta 24 horas.

Para borrar el programa de retraso del temporizador:

NOTA: El deshumidificador puede estar encendido o apagado.

- Presione TIMER una vez después de que haya sido programado. La pantalla mostrará el tiempo restante.
- Mientras la pantalla muestra el tiempo restante, presione TIMER otra vez. El indicador del temporizador se apagará.

Para ver el tiempo restante:

Presione TIMER una vez después de que haya sido programado.
La pantalla mostrará el tiempo restante.

NOTA:

Vacíe el cubo de agua de drenaje antes de establecer la función del temporizador. Si el cubo de agua se llena durante la función del temporizador, la luz de Cubo Vacío se encenderá y la deshumidificación se detendrá.

Limpeza del Filtro

- Cuando la luz indicadora de Limpieza del Filtro esté encendida, retire, limpie y vuelva a colocar el filtro de aire. Consulte "Limpiar el filtro de aire".
- Presione el botón Clean Filter (Limpieza del Filtro) para reiniciar el monitor del filtro.



NOTA:

Cuando la luz está encendida, permanecerá encendida por 180 horas o hasta que usted presione el botón Clean Filter.

Drenar el deshumidificador

⚠ ADVERTENCIA

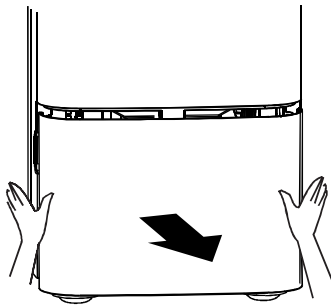
Riesgo de enfermedad

No beba el agua acumulada en el cubo de agua.
En caso de hacerlo, podría contraer una enfermedad.

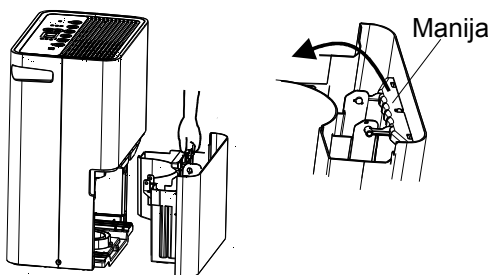
Opción 1 Drenaje del cubo

Si no hay desagüe en el suelo, o si no tiene previsto utilizar continuamente el deshumidificador, es posible que sencillamente quiera vaciar el cubo.

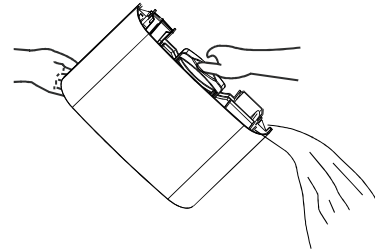
- Agarre el cubo por los lados para deslizarlo hacia fuera.



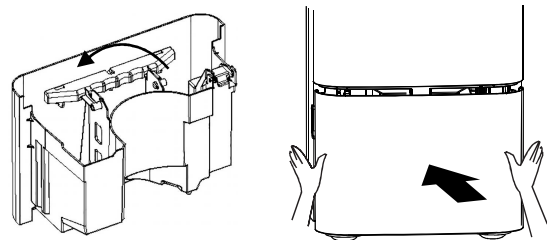
- Levante el cubo utilizando la manija.



- Vierta el agua en un fregadero o bañera.



- Baje la manija y vuelva a instalar el cubo.



IMPORTANTE:

Si se enciende la luz de cubo vacío, el deshumidificador no funcionará. Es necesario vaciar o volver a instalar el cubo.

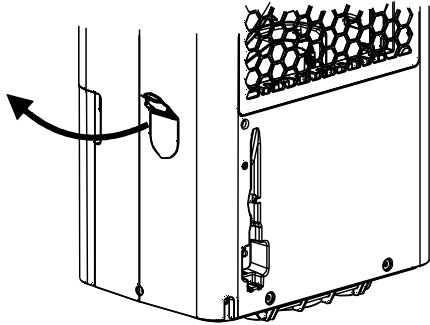
NOTA:

- Si se retira el cubo de agua inmediatamente después de apagar el deshumidificador, el agua que quede en el termocambiador podría gotear dentro de la zona de almacenamiento del cubo de agua. Elimine el agua con un paño suave.
- No toque el nivel de agua durante la limpieza.
- Limpe el cubo de agua una vez a la semana durante el uso.
- Si la temperatura ambiente es baja, hay menos humedad en el aire que el producto deba eliminar.
- Desenchufe el producto antes de retirar el cubo de agua. Si se retira el cubo de agua mientras el producto está funcionando, se detendrá el compresor.

Opción 2 Drenaje por gravedad

Si tiene previsto utilizar continuamente el deshumidificador, puede elegir un drenaje directo conectando una manguera de jardín a la unidad.

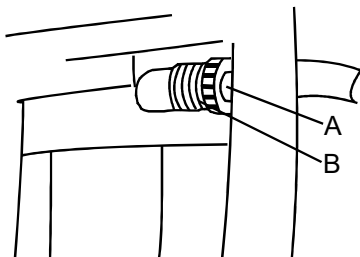
1. Apague el deshumidificador y desconecte el cable de alimentación.
2. Retire la cubierta del conector en el lateral de la unidad.



3. Quite el cubo.
4. Conecte una manguera de jardín al conector de la manguera de drenaje del interior del deshumidificador.

NOTA:

- La manguera de jardín se vende por separado.
- El diámetro interno de la manguera de drenaje debe ser superior a 12,7mm.
- El conector está diseñada para mangueras de jardín de Norteamérica.



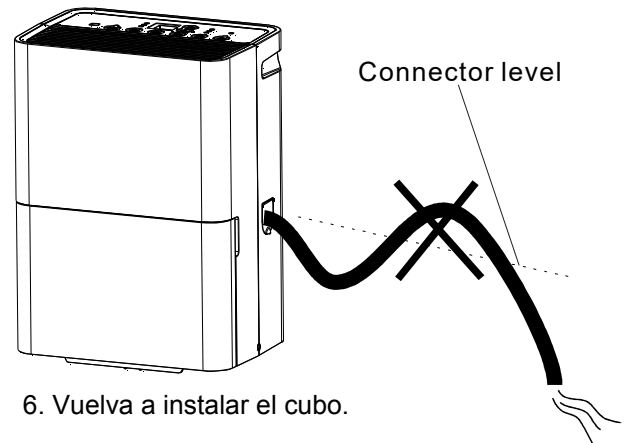
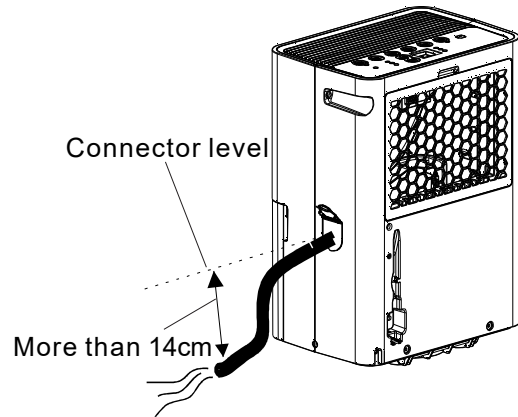
A. Manguera de jardín
B. Conector de la manguera de drenaje

IMPORTANTE:

En Norteamérica, los conectores de la manguera de jardín son de rosca recta (no cónica) de 3/4 de diámetro con un paso de 4,52 hilos por cm (la parte macho tiene un diámetro exterior de 26,99mm).

⚠ ADVERTENCIA **Tenga cuidado de no lesionarse las manos cuando conecte la manguera.**

5. Coloque el otro extremo de la manguera de jardín en el desagüe del suelo. Compruebe que la manguera esté plana y en el desagüe. Asegúrese de que todas las partes de la manguera estén en un nivel más bajo que el conector de la manguera en el deshumidificador. Además, la salida de de la manguera debe ser al menos 14 cm más baja que el conector de la manguera. La manguera no debe estar doblada o pellizcada.



6. Vuelva a instalar el cubo.

NOTA:

- Para utilizar el cubo sin la manguera de jardín, basta con retirar la manguera de jardín y colocar el tapón de goma.
- Primero debe instalarse y alinearse correctamente el cubo para que el deshumidificador funcione con o sin la manguera de jardín conectada.

Sonidos normales

Cuando el deshumidificador funcione con normalidad, es posible que escuche sonidos como:

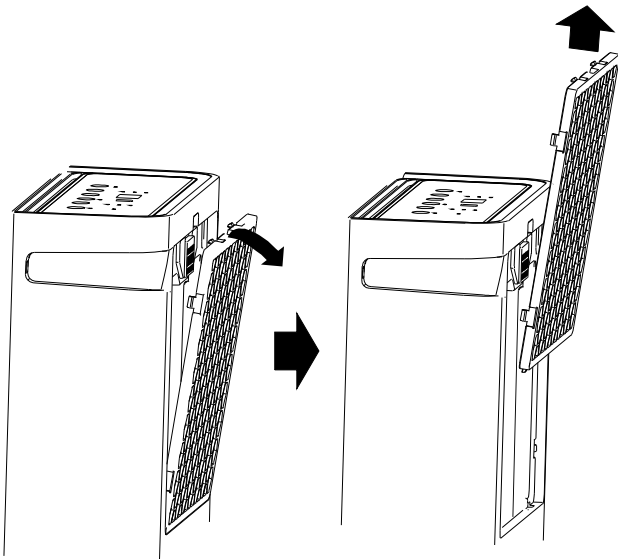
- Sonidos del compresor, que podrían ser fuertes.
- Movimiento de aire del ventilador.
- Sonidos de chasquido cuando el deshumidificador o el compresor se encienda o apague y cuando funcione el interruptor de apagado automático.

CUIDADO DEL DESHUMIDIFICADOR

Su nuevo deshumidificador está diseñado para darle muchos años de servicio dependiente. Esta sección explica cómo limpiar y mantener el deshumidificador.

Para evitar daños en el compresor, nunca almacene ni envíe el aparato volteado o de lado.

Limpiar el filtro de aire



Es posible extraer el filtro de aire para limpiarlo fácilmente. Un filtro limpio ayuda a eliminar el polvo, lino y otras partículas del aire y es importante para conseguir la mejor eficacia operativa. Compruebe el filtro cada dos semanas para ver si es necesario limpiarlo.

1. Apague el deshumidificador.
2. Retire el filtro de aire.
3. Utilice una aspiradora para limpiar el filtro de aire si está sucio, lávelo con agua caliente y un detergente suave.
4. Reinstale el filtro de aire.
5. Encienda el deshumidificador.

NOTA:

No lave el filtro de aire en el lavavajillas ni utilice limpiadores químicos. Deje que el filtro se seque completamente al aire antes de volver a instalarlo para garantizar la máxima eficacia operativa.

Limpiar el deshumidificador

Exterior

1. Apague el deshumidificador y desconecte el cable de alimentación.
2. Limpie la superficie de la unidad con un paño suave o el accesorio de desempolvado de la aspiradora.

Cubo de agua

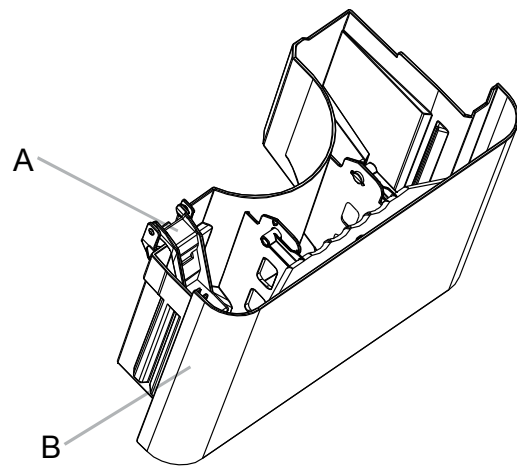
Enjuague el interior del cubo de agua cada pocas semanas con detergente suave para evitar el crecimiento de moho y bacterias.

Nivel de agua

El cubo de agua del deshumidificador tiene un nivel de agua. No dañe ni retire el nivel de agua del cubo. Si el nivel no está colocado correctamente, se iluminará la luz de cubo vacío evitando que funcione y podría resultar en fugas.

NOTA:

Compruebe que el nivel esté insertado correctamente en su sitio.



- A. Nivel de agua
B. Cubo


RESOLUCIÓN DE PROBLEMAS

Antes de llamar al departamento de servicio, consulte las sugerencias siguientes.

El deshumidificador no funciona

- ¿Está encendido el deshumidificador?
Encienda el deshumidificador.

⚠ ADVERTENCIA



Peligro de descarga eléctrica

Enchufe a una toma con 3 clavijas y conexión a tierra.

No retire la clavija de conexión a tierra.

No utilice adaptadores.

No utilice un cable alargador.

No seguir estas instrucciones puede resultar en muerte, incendio o descarga eléctrica.

- ¿Está conectado el cable de alimentación a una toma de tres clavijas con conexión a tierra?
Enchufe a una toma con 3 clavijas y conexión a tierra.
Consulte "Requisitos eléctricos" en la página 12.
- ¿Se ha fundido un fusible del hogar o ha fallado un interruptor?
Sustituya el fusible o restablezca el interruptor.
Si el problema persiste, llame a un electricista.
Consulte "Requisitos eléctricos" en la página 12.
- ¿Está el cubo instalado correctamente?

Vuelva a instalar el cubo de forma que encaje completamente en el deshumidificador.

- ¿Es necesario vaciar el cubo?
Vacíe el cubo.
- ¿Está bien colocado el nivel de agua?
Retire el cubo. Compruebe que el nivel esté insertado en su sitio. Vuelva a instalar el cubo.
- ¿Ha dejado de funcionar repentinamente el deshumidificador y no se vuelve a encender?
Confirme que la alimentación esté conectada y que el cubo esté colocado. Si la unidad sigue sin funcionar, llame a Hisense para solicitar el servicio en periodo de garantía.

El deshumidificador funciona pero no deshumidifica

- Todos los modelos tienen una función de deshielo automática que apagará el compresor y permitirá que el ventilador funcione. Cuando la función de deshielo detecte la temperatura de funcionamiento correcta, el ciclo del compresor volverá a iniciarse.
- El filtro está sucio u obstruido con restos.
Limpie el filtro.

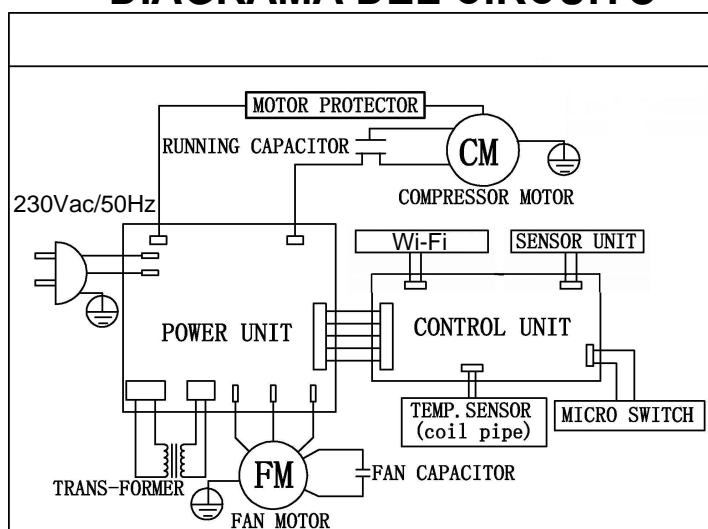
El aire que sale del deshumidificador es caliente

- El deshumidificador saca aire caliente en condiciones de funcionamiento normales.

El deshumidificador muestra un código de error

- Si el deshumidificador muestra un código de error, póngase en contacto con el servicio al cliente de Hisense.

DIAGRAMA DEL CIRCUITO



Hisense

Déshumidificateur Guide d'utilisation et d'entretien

FRANÇAIS

Merci beaucoup d'avoir acheté ce déshumidificateur. Veuillez lire attentivement ces instructions d'utilisation et d'entretien avant d'utiliser cet appareil et conservez ce manuel pour référence ultérieure.

TABLE DES MATIERES

IDENTIFICATION DES PIÈCES.....	1
MESURES DE SÉCURITÉ	2
SÉCURITÉ RELATIVE AU DÉSHUMIDIFICATEUR.....	9
CONTRAINTES D'INSTALLATION	12
Contraintes électriques	12
Contraintes d'emplacement	12
UTILISATION DU DÉSHUMIDIFICATEUR.....	13
Configuration	13
Vidange du déshumidificateur.....	15
Sons normaux	16
ENTRETIEN DU DÉSHUMIDIFICATEUR.....	17
Nettoyage du filtre à air	17
Nettoyage du déshumidificateur.....	17
DÉPANNAGE	18

INSTRUCTIONS DE SÉCURITÉ

Cet appareil électrique peut être utilisé par des enfants âgés de 8 ans et plus et des personnes avec des capacités physiques, sensorielles ou mentales réduites, ou ayant un manque d'expérience et de connaissances à condition qu'elles soient supervisées ou guidées concernant l'utilisation de l'appareil électrique de manière sûre et comprennent les risques encourus. Les enfants ne devraient pas jouer avec l'appareil électrique. Le nettoyage et l'entretien utilisateur ne devraient pas être effectués par des enfants sans supervision. Les enfants devraient être surveillés pour s'assurer qu'ils ne jouent pas avec l'appareil électrique.

Si le cordon d'alimentation est endommagé, il doit être remplacé par le fabricant, son agent de service ou une personne qualifiée de manière similaire afin d'éviter tout danger. L'appareil électrique doit être installé conformément aux règles de câblage nationales. La plage de pressions statiques extérieures est de -0,2 Pa à 0,2 Pa. Gardez l'unité à une distance de 5 m ou plus des surfaces combustibles.

Ne faites pas fonctionner le climatiseur dans une pièce humide telle qu'une salle de bain ou une buanderie.

PRÉSERVATION DE L'ENVIRONNEMENT

L'appareil électrique est composé de matériaux recyclables et réutilisables. La mise à la ferraille doit être effectuée conformément aux réglementations locales sur l'enlèvement des ordures. Avant de le mettre à la ferraille, assurez-vous de couper les cordons principaux, afin que l'appareil électrique ne puisse pas être réutilisé.

Pour des informations plus détaillées concernant la manipulation et le recyclage de ce produit, contactez vos autorités locales qui gèrent avec le tri sélectif des déchets ou la boutique où vous avez acheté l'appareil électrique.

MISE A LA FERRAILLE DE L'APPAREIL ÉLECTRIQUE

Cet appareil électrique est marqué conformément à la directive européenne 2012/19/UN Déchets d'équipements électriques et électroniques (WEEE).





Ce symbole indique qu'au sein de l'Union Européenne, cet appareil ne doit pas être jeté avec les ordures ménagères. Afin d'éviter tout dommage sur l'environnement et/ou sur la santé humaine, recyclez-le de façon responsable, en favorisant au mieux la réutilisation des ressources. Pour retourner votre appareil usagé, contactez les centres de tri ou le magasin auprès duquel vous avez acheté l'appareil. Ceux-ci pourront prendre en charge le recyclage de votre appareil.



MISE EN GARDE

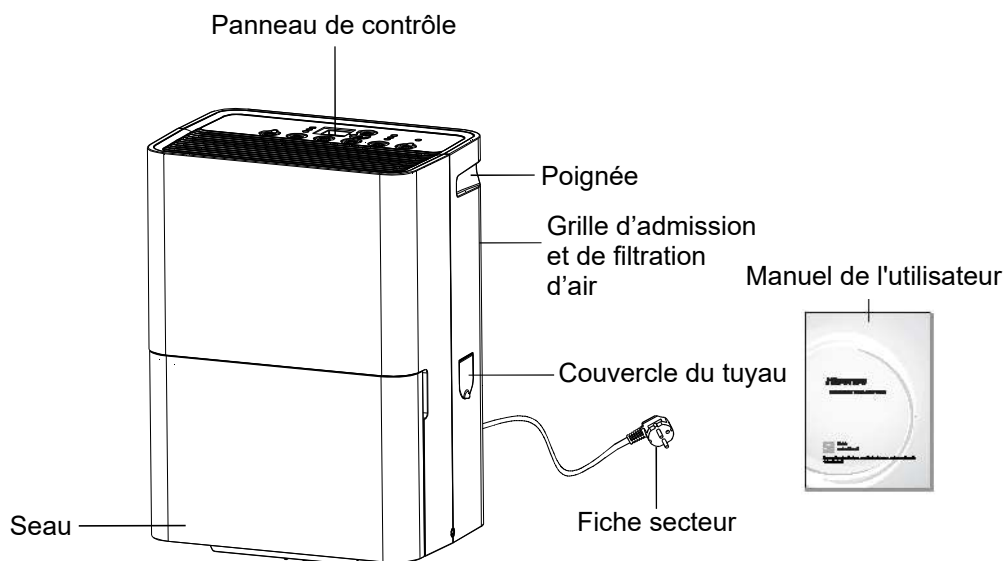
- Ne pas utiliser de moyens pour accélérer le processus de décongélation ou de nettoyage, autres que ceux recommandés par le fabricant.
- L'appareil doit être entreposé en fonctionnement continu dans une pièce sans source d'allumage (par exemple, des flammes nues, un appareil fonctionnant au gaz ou un appareil de chauffage électrique en fonctionnement).
- Ne pas percer ou brûler.
- Soyez conscient que les réfrigérants peuvent ne pas avoir d'odeur.
- L'appareil électrique doit être installé, opéré et stocké dans une pièce avec une surface au sol supérieure à 5m².
- Les espaces où se trouvent les tuyaux réfrigérants doivent être conformes avec les réglementations nationales sur le gaz.
- La maintenance devrait uniquement être effectuée comme recommandé par le fabricant.
- L'appareil doit être stocké dans un endroit bien ventilé où la taille de la pièce correspond à la surface de la pièce telle que spécifiée pour le fonctionnement.
- Toute procédure de travail qui affecte la sécurité devrait être effectuée par des personnes compétentes.
- L'appareil doit être stocké dans une pièce ne contenant de flammes nues (par exemple un appareil à gaz en fonctionnement) et des sources d'allumage (par exemple un équipement de chauffage électrique en fonctionnement).
- L'appareil doit être rangé de manière à éviter tout dommage mécanique.
- Toute personne travaillant sur ou pénétrant dans un circuit de frigorigène doit détenir un certificat en cours de validité délivré par une autorité d'évaluation agréée de l'industrie, qui autorise sa compétence à manipuler les frigorigènes en toute sécurité conformément à une spécification d'évaluation reconnue par l'industrie.
- L'entretien doit être effectué uniquement selon les recommandations du fabricant de l'équipement. L'entretien et les réparations nécessitant l'assistance d'un autre personnel qualifié doivent être effectués sous la supervision de la personne compétente pour l'utilisation des frigorigènes inflammables.

Explication des symboles affichés sur l'appareil:

 <p>Mise en garde, risque d'incendie</p>	<p>ATTENTION</p>	<p>Ce symbole indique que cet appareil utilise un réfrigérant inflammable. Il existe un risque d'incendie si le réfrigérant est exposé à une source d'inflammation externe.</p>
	<p>MISE EN GARDE</p>	<p>Ce symbole indique que le manuel d'utilisation doit être lu attentivement.</p>
	<p>MISE EN GARDE</p>	<p>Ce symbole indique qu'un personnel de service devrait effectuer tout entretien de cet équipement en référence au manuel d'installation.</p>
	<p>MISE EN GARDE</p>	<p>Ce symbole indique que des informations sont disponibles sur l'appareil, telles que le manuel d'utilisation ou d'installation.</p>

Paramètre du fusible de la machine : (T2,5 A, 250 V).

IDENTIFICATION DES PIÈCES



REMARQUE :

Les chiffres dans ce manuel sont basés sur la vue externe d'un modèle standard. Ils peuvent être différents de celui du déshumidificateur que vous avez sélectionné.

MESURES DE SÉCURITÉ

Mesures de sécurité pour l'utilisation du réfrigérant R290

Les procédures de base d'installation sont les mêmes que celles du réfrigérant conventionnel (R22 ou R410A). Cependant, faites attention aux points suivants:



MISE EN GARDE

1. **Transport d'équipements contenant des fluides frigorigènes inflammables**
Respect de la réglementation du transport
2. **Marquage de l'équipement à l'aide de signes**
Respect des réglementations locales
3. **Mise en rebut des équipements utilisant des fluides frigorigènes inflammables**
Respect des réglementations nationales
4. **Stockage d'équipements / appareils**
Le stockage de l'équipement doit être conforme aux instructions du fabricant.
5. **Stockage des appareils emballés (invendus)**
 - La protection de l'emballage de stockage doit être conçue de manière à ce que les dommages mécaniques à l'intérieur de l'emballage n'entraînent pas de fuite de la charge de réfrigérant.
 - Le nombre maximal d'équipements pouvant être stockés ensemble sera déterminé par les réglementations locales.
6. **Informations sur l'entretien**
 - 6-1 **Inspection de la zone**

Avant de commencer à travailler sur des systèmes contenant des réfrigérants inflammables, des contrôles de sécurité sont nécessaires pour réduire au minimum le risque d'inflammation. Pour réparer le système de réfrigération, les précautions suivantes doivent être respectées avant d'effectuer des travaux sur le système.
 - 6-2 **Procédure de travail**

Les travaux doivent être effectués selon une procédure contrôlée afin de minimiser le risque de présence de gaz ou de vapeurs inflammables pendant le travail.
 - 6-3 **Zone de travail générale**
 - Tout le personnel de maintenance et les autres personnes travaillant dans la zone locale doivent recevoir des instructions sur la nature du travail effectué. Le travail dans des espaces confinés doit être évité.
 - La zone autour de l'espace de travail doit être sectionnée. Rassurez-vous que la zone a été sécurisée par le contrôle des matières inflammables.
 - 6-4 **Vérification de la présence du fluide frigorigène**
 - La zone doit être contrôlée avec un détecteur de frigorigène approprié avant et pendant le travail, afin de s'assurer que le technicien est au courant des espaces potentiellement inflammables.
 - Rassurez-vous que l'équipement de détection des fuites utilisé est adapté à l'utilisation de fluides frigorigènes inflammables, c'est-à-dire qu'il ne produit pas d'étincelles, qu'il est correctement étanche ou intrinsèquement sûr.



MISE EN GARDE

6-5 Présence d'un extincteur

- Si un travail à chaud doit être effectué sur l'équipement de réfrigération ou toute pièce connexe, un équipement d'extinction d'incendie approprié doit être disponible.
- Avoir un extincteur à poudre sèche ou CO₂ dans les environs de la zone de charge

6-6 Pas de sources d'inflammation

- Il est interdit à toute personne effectuant des travaux sur un système de réfrigération d'exposer une tuyauterie contenant ou ayant contenu un frigorigène inflammable à une source d'inflammation de telle sorte que cela puisse entraîner un risque d'incendie ou d'explosion.
- Toutes sources pouvant causer une inflammation, y compris le tabagisme, devraient être maintenues suffisamment loin du site d'installation, d'entretien, de retrait et d'élimination, au cours de laquelle un réfrigérant inflammable peut éventuellement être libéré dans l'espace environnant.
- Avant le début des travaux, il faut surveiller la zone autour de l'équipement pour s'assurer qu'il n'y a pas de dangers ou de risques d'inflammation. Les panneaux «défense de fumer» doivent être affichés.

6-7 Zone ventilée

- Rassurez-vous que la zone est ouverte ou qu'elle est suffisamment ventilée avant de pénétrer dans le système ou d'effectuer un travail à chaud.
- Un degré de ventilation doit continuer pendant la période de travail.
- La ventilation devrait disperser en toute sécurité tout réfrigérant libéré et, de préférence, l'expulser vers l'extérieur dans l'atmosphère.

6-8 Contrôles de l'équipement de réfrigération

- Lorsque des composants électriques sont changés, ils doivent être adaptés à l'usage et aux spécifications correctes.
- Les directives du fabricant en matière de maintenance et de service doivent être suivies à tout moment. En cas de doute, consultez le service technique du fabricant.
- Les contrôles suivants doivent être réalisés sur les installations utilisant des frigorigènes inflammables:
 - La taille de la charge est en accord avec la taille de la salle où les pièces contenant le fluide frigorigène sont installées;
 - Les machines de ventilation et les sorties fonctionnent correctement et ne sont pas obstruées;
 - Si un circuit frigorifique indirect est utilisé, la présence d'un frigorigène doit être vérifiée dans le circuit secondaire;
 - Les marques sur l'équipement restent visibles et lisibles. Les marquages et les signes illisibles doivent être corrigés;
 - Les tuyaux ou composants de réfrigération sont installés dans une position où ils sont peu susceptibles d'être exposés à une substance susceptible de corroder les composants contenant des réfrigérants, à moins que les composants ne soient constitués de matériaux qui sont intrinsèquement résistants à la corrosion ou sont convenablement protégés contre la corrosion.



MISE EN GARDE

6-9 Contrôle des appareils électriques

- La réparation et l'entretien des composants électriques doivent inclure les contrôles de sécurité initiaux et les procédures d'inspection des composants.
- S'il existe un défaut susceptible de compromettre la sécurité, aucune alimentation électrique ne doit être raccordée au circuit tant qu'il n'a pas été rectifié de manière satisfaisante.
- Si le défaut ne peut pas être corrigé immédiatement mais qu'il est nécessaire de continuer à fonctionner, une solution temporaire adéquate doit être utilisée.
- Cela doit être signalé au propriétaire de l'équipement de sorte que toutes les parties sont avisées.
- Les contrôles initiaux de sécurité comprennent
 - Vérifier si les condensateurs sont déchargés: ceci doit être fait de manière sûre pour éviter la possibilité d'étincelles;
 - Vérifier qu'il n'y ait pas de composants électriques et de câblage sous tension pendant le chargement, la récupération ou la purge du système;
 - Vérifier qu'il y a continuité de la mise à la terre.

7. Réparations de composants scellés

- Pendant les réparations des composants scellés, toutes les alimentations électriques doivent être déconnectées de l'équipement sur lequel on travaille avant le retrait des couvercles scellés, etc.
- S'il est absolument nécessaire de fournir une alimentation électrique à l'équipement pendant l'entretien, une détection permanente des fuites doit être installée au point le plus critique pour avertir au cas d'une situation potentiellement dangereuse.
- Une attention particulière doit être portée à ce qui suit afin de garantir qu'en travaillant sur des composants électriques, le boîtier ne soit pas altéré de telle sorte que le niveau de protection soit affecté.
- Cela comprend les dommages aux câbles, le nombre excessif de connexions, les bornes non conformes aux spécifications d'origine, les dommages aux joints, le mauvais montage des presse-étoupe, etc.
- Rassurez-vous que l'appareil est bien fixé.
- Rassurez-vous que les joints ou les matériaux d'étanchéité ne se sont pas dégradés de sorte qu'ils ne servent plus à empêcher la pénétration d'atmosphères inflammables.
- Les pièces de rechange doivent être conformes aux spécifications du fabricant.

REMARQUE:

L'utilisation de produits d'étanchéité à base de silicone peut nuire à l'efficacité de certains types d'équipement de détection des fuites. Les composants sécurisés par défaut ne doivent pas nécessairement être isolés avant de travailler dessus.

8. Réparation des composants intrinsèquement sûrs

- Ne pas appliquer de charges inductives ou capacitatives permanente sur le circuit sans s'assurer que celle-ci ne dépassera pas la tension et le courant autorisés pour l'équipement étant utilisé.
- Les composants intrinsèquement sûrs sont les seuls types qui peuvent être entretenus

MISE EN GARDE

sous tension dans une atmosphère inflammable. L'appareil d'essai doit être correctement calibré.

- Remplacez les composants uniquement par des pièces spécifiées par le fabricant.
- D'autres parties peuvent provoquer l'inflammation du réfrigérant dans l'atmosphère suite à une fuite.

9. Câblage

- Vérifiez que le câblage ne sera pas soumis à l'usure, à la corrosion, à une pression excessive, aux vibrations, aux arêtes vives ou à tout autre effet environnemental négatif.
- Le contrôle doit également prendre en compte les effets du vieillissement ou des vibrations continues provenant de sources telles que les compresseurs ou les ventilateurs.

10. Détection de fluides frigorigènes inflammables

- Les sources potentielles d'inflammation ne doivent en aucun cas être utilisées pour la recherche ou la détection de fuites de réfrigérant.
- Une lampe halogénure (ou tout autre détecteur utilisant une flamme nue) ne doit pas être utilisé.

11. Méthodes de détection des fuites

- Les méthodes suivantes de détection des fuites sont jugées acceptables pour les systèmes contenant des frigorigènes inflammables:
 - Des détecteurs de fuite électroniques devraient être utilisés pour détecter des réfrigérants inflammables, mais la sensibilité peut ne pas être adéquate, ou peut nécessiter un recalibrage. (Le dispositif de détection doit être étalonné dans une zone sans frigorigène.)
 - Rassurez-vous que le détecteur n'est pas une source potentielle d'inflammation et convient au réfrigérant utilisé.
 - Le dispositif de détection des fuites doit être réglé à un pourcentage du LFL du fluide frigorigène et doit être étalonné par rapport au fluide frigorigène utilisé et le pourcentage de gaz approprié (25% maximum) doit être confirmé.
 - Les fluides de détection de fuites sont adaptés à la plupart des fluides frigorigènes, mais l'utilisation de détergents contenant du chlore doit être évitée car le chlore peut réagir avec le fluide frigorigène et corroder les tuyaux en cuivre.
 - Si une fuite est suspectée, toutes les flammes nues doivent être retirées / éteintes.
 - Si une fuite de fluide frigorigène qui nécessite un brasage est constatée, tout le fluide frigorigène doit être récupéré du système ou isolé (au moyen de vannes d'arrêt) dans une partie du système éloignée de la fuite.
 - L'azote sans oxygène (OFN) doit ensuite être purgé à travers le système avant et pendant le processus de brasage.

12. Enlèvement et évacuation

- Lorsqu'il faut créer une rupture dans le circuit frigorifique pour effectuer des réparations - ou à d'autres fins - des procédures conventionnelles doivent être utilisées.
- Cependant, il est important que la meilleure pratique soit respectée puisque l'inflammabilité est un facteur à considérer.
- La procédure suivante doit être respectée:
 - Enlevez le réfrigérant;
 - Purgez le circuit avec du gaz inerte;

MISE EN GARDE

- Évacuez;
- Purgez à nouveau avec du gaz inerte;
- Ouvrez le circuit en coupant ou en brasant.
- La charge de réfrigérant doit être récupérée dans des cylindres de récupération adaptés.
- Le système doit être « rincé » avec de l'azote libre d'oxygène pour assurer la sécurité de l'unité.
- Ce processus peut devoir être répété plusieurs fois.
- L'air comprimé ou l'oxygène ne doivent pas être utilisés pour cette tâche.
- Le rinçage doit être effectué en cassant le vide dans le système avec de l'azote libre d'oxygène et en continuant à remplir jusqu'à ce que la pression de travail soit atteinte, puis en évacuant vers l'atmosphère, et finalement en tirant vers le bas jusqu'à ce qu'il est vide.
- Ce processus doit être répété jusqu'à ce qu'il n'y ait plus de réfrigérant dans le système. Lorsque la charge finale de l'azote libre d'oxygène est utilisée, le système doit être mis à la pression atmosphérique pour permettre qu'on puisse travailler dessus.
- Cette opération est absolument vitale pour le brasage des tuyauteries.
- Rassurez-vous que la sortie de la pompe à vide n'est pas proche de toute source d'allumage et qu'une ventilation adéquate est disponible.

13. Procédures de charge

- En plus des procédures de charge conventionnelles, les exigences suivantes doivent être respectées:
 - Rassurez-vous qu'il n'y a pas de contamination des différents réfrigérants lors de l'utilisation de l'équipement de charge.
 - Les flexibles ou les tuyaux doivent être aussi courts que possible pour minimiser la quantité de réfrigérant qu'ils contiennent.
 - Les bouteilles doivent être maintenues debout.
 - Rassurez-vous que le système de réfrigération est mis à la terre avant de charger le système avec du réfrigérant.
 - Étiquetez le système lorsque la charge est terminée (si ce n'est pas déjà fait).
 - Beaucoup d'attention est nécessaire pour ne pas trop remplir le système de réfrigération.
- Avant de recharger le système, il doit être testé sous pression avec de l'azote libre d'oxygène.
- Le système doit être testé à la fin du chargement mais avant la mise en service.
- Un contrôle pour détecter des fuites doit être effectué avant de quitter le site.

14. Démantèlement

- Avant d'effectuer cette procédure, il est essentiel que le technicien connaisse parfaitement l'équipement et tous ses détails.
- Il est recommandé de conserver tous les réfrigérants en toute sécurité.
- Avant la réalisation de la tâche, un échantillon d'huile et de réfrigérant doit être prélevé en cas d'analyse avant de réutiliser le réfrigérant récupéré. Il est essentiel que l'énergie électrique soit disponible avant le début de la tâche.
 - a) Familiarisez-vous avec l'équipement et son fonctionnement.
 - b) Coupez toute alimentation électrique au système.

MISE EN GARDE

- c) Avant d'essayer la procédure, rassurez-vous que:
- Un équipement de manutention mécanique est disponible, si nécessaire, pour la manipulation des bouteilles de réfrigérant;
 - Tout équipement de protection individuelle est disponible et utilisé correctement;
 - Le processus de récupération est supervisé à tout moment par une personne compétente;
 - L'équipement de récupération et les bouteilles sont conformes aux normes appropriées.
- d) Pompez le système de réfrigérant, si possible.
- e) S'il est impossible de créer un vide, faites un collecteur de sorte que le réfrigérant puisse être retiré de diverses parties du système.
- f) Rassurez-vous que le cylindre est situé sur la balance avant que la récupération ait lieu.
- g) Démarrer la machine de récupération et servez-vous en conformément aux instructions du fabricant.
- h) Ne pas trop remplir les bouteilles. (Pas plus de 80% de charge liquide).
- l) Ne jamais dépasser la pression maximale de service du vérin, même temporairement.
- j) Lorsque les bouteilles ont été remplies correctement et que le processus est terminé, rassurez-vous que les bouteilles et l'équipement sont rapidement retirés du site et que toutes les vannes d'isolation de l'équipement sont fermées.
- k) Le frigorigène récupéré ne doit pas être chargé dans un autre système de réfrigération à moins qu'il a été nettoyé et contrôlé.

15. **Étiquetage**

- L'équipement doit porter une étiquette indiquant qu'il a été démonté et vidé du réfrigérant.
- L'étiquette doit être datée et signée.
- Rassurez-vous qu'il y a des étiquettes sur l'équipement indiquant que l'équipement contient du réfrigérant inflammable.

16. **Récupération**

- Lors de l'élimination du fluide frigorigène d'un système, que ce soit pour l'entretien ou le démantèlement, il est recommandé de retirer tous les fluides frigorigènes en toute sécurité.
- Lors du transfert du réfrigérant dans les bouteilles, rassurez-vous que seuls les cylindres de récupération de réfrigérant appropriés sont utilisés.
- Rassurez-vous que le nombre correct de cylindres pour maintenir la charge totale du système est disponible.
- Toutes les bouteilles à utiliser sont désignées pour le frigorigène récupéré et étiquetées pour ce frigorigène (c.-à-d. Des bouteilles spéciales pour la récupération du frigorigène).
- Les bouteilles doivent être munies d'une soupape de décharge et des soupapes d'arrêt correspondantes en bon état de fonctionnement.
- Les cylindres de récupération vides sont évacués et, si possible, refroidis avant la récupération.

MISE EN GARDE

- L'équipement de récupération doit être en bon état de fonctionnement avec un ensemble d'instructions sur l'équipement à portée de main et doit être adapté à la récupération des fluides frigorigènes inflammables.
- De plus, un ensemble de balances étalonnées doit être disponible et en bon état de fonctionnement.
- Les tuyaux doivent être complets avec des raccords de déconnexion sans fuite et en bon état.
- Avant d'utiliser la machine de récupération, vérifiez qu'elle est en état de fonctionnement satisfaisant, a été maintenu correctement et que tous les composants électriques associés sont scellés pour empêcher une ignition dans le cas d'une émission de réfrigérant
- Renseignez-vous auprès du fabricant en cas de doute.
- Le frigorigène récupéré doit être renvoyé au fournisseur du frigorigène dans le bon cylindre de récupération, et la note de transfert de déchets appropriée doit y être apposée.
- Ne pas mélanger les réfrigérants dans les unités de récupération et surtout pas dans les cylindres.
- Si des compresseurs ou des huiles de compresseur doivent être retirés, s'assurer qu'ils ont été évacués à un niveau acceptable pour s'assurer que le fluide frigorigène inflammable ne reste pas dans le lubrifiant.
- Le processus d'évacuation doit être effectué avant le renvoi du compresseur aux fournisseurs.
- Seul le chauffage électrique de la carrosserie du compresseur doit être utilisé pour accélérer ce processus.
- Lorsque l'huile est évacuée d'un système, elle doit être effectuée en toute sécurité.

SÉCURITÉ RELATIVE AU DÉSHUMIDIFICATEUR

Votre sécurité et la sécurité des autres sont très importantes

Nous avons fourni de nombreux messages concernant la sécurité dans ce manuel et sur votre appareil électrique.

Lisez et respectez toujours tous les messages de sécurité.



C'est le symbole d'alerte de sécurité.

Ce symbole vous alerte sur les risques potentiels qui peuvent tuer ou blesser des personnes y compris vous-même.

Tous les messages relatifs à la sécurité sont précédés de ce symbole d'avertissement ou des mots « DANGER » ou « ATTENTION »

Ces mots signifient :

⚠ DANGER

Risque immédiat QUI ENTRAÎNERA des blessures graves, voire le décès.

⚠ ATTENTION

Risque immédiat qui pourrait entraîner des blessures graves, voire le décès.

Tous les messages concernant la sécurité vous indiqueront quel est le risque potentiel, comment réduire la probabilité de blessure, et ce qui peut se produire si les instructions ne sont pas suivies.

INSTRUCTIONS DE SÉCURITÉ IMPORTANTES

⚠ DANGER Pour réduire les risques d'explosion, d'incendie, de mort, d'électrocution ou de blessures ou de brûlures corporelles lors de l'utilisation de cet appareil. Des précautions de sécurité élémentaires doivent être respectées, notamment les suivantes.

INSTALLATION

- Branchez-le dans une prise à trois broches mise à la terre. N'enlevez pas la broche de terre.
- N'essayez jamais de faire fonctionner cet appareil s'il est endommagé, s'il fonctionne mal, s'il est partiellement démonté ou si des pièces sont manquantes ou brisées, y compris un cordon ou une fiche endommagée.
- N'utilisez pas d'adaptateur électrique ou d'adaptateurs à prises multiples avec ce déshumidificateur.
- N'utilisez pas de rallonge.
- Déconnectez le déshumidificateur avant tout entretien.
- Ne buvez pas l'eau recueillie dans le seau d'eau.
- Cet appareil n'est pas conçu pour être utilisé par de jeunes enfants ou des personnes à mobilité réduite sans surveillance. Les enfants doivent être surveillés pour s'assurer qu'ils ne jouent pas avec l'appareil.
- Lors de l'installation ou du déplacement de l'appareil, veillez à ne pas pincer, écraser ou endommager le cordon d'alimentation.
- Gardez les matériaux d'emballage hors de la portée des enfants. Les matériaux d'emballage peuvent être dangereux pour les enfants. Il y a un risque de suffocation.
- N'utilisez pas l'appareil dans de l'eau stagnante et ne laissez jamais le produit entrer en contact avec de l'eau pendant son utilisation.
- Stockez et installez l'appareil dans un endroit où il ne sera pas exposé à des températures inférieures au point de congélation ou à des conditions météorologiques extérieures.
- Appelez un technicien agréé pour réparer ou remplacer immédiatement tous les cordons d'alimentation endommagés. N'utilisez pas de cordon présentant des fissures ou des dommages dus à l'abrasion sur toute sa longueur ou à chaque extrémité.

- N'utilisez pas le produit si la prise est endommagée ou lâche.
- Dans l'éventualité d'une fuite de gaz (gaz propane gaz PL, etc.), ne faites pas fonctionner cet appareil ou tout autre appareil. Ouvrez une fenêtre ou une porte pour aérer la pièce immédiatement.
- Ne pas démonter, réparer ou modifier le produit.
- Ne pas stocker ou utiliser des gaz ou des matériaux inflammables à proximité du déshumidificateur.

OPÉRATION

- Lisez toutes les instructions avant d'utiliser l'appareil et conservez ces instructions.
- Ne pas altérer les commandes.
- Poussez la fiche à fond dans la prise murale afin de ne pas la desserrer.
- Ne saisissez pas le cordon d'alimentation et ne touchez pas les commandes de l'appareil avec des mains mouillées.
- Ne pas modifier ou étendre le cordon d'alimentation.
- Si le produit émet un bruit étrange ou émet une odeur ou de la fumée, débranchez le câble d'alimentation et contactez le centre de service client de Hisense.
- Évitez de placer le déshumidificateur ou d'autres objets lourds sur le cordon d'alimentation.
- N'utilisez pas de l'eau pour nettoyer le déshumidificateur.
- Gardez l'entrée et la sortie d'air libres d'obstructions.
- Ne couvrez pas le cordon d'alimentation avec un tapis ou une moquette. Si vous placez des objets lourds sur le cordon, vous pourriez l'endommager.
- Gardez le produit à l'abri du feu et de températures très élevées.
- N'utilisez pas le produit dans des endroits où il pourrait être éclaboussé par de l'eau.
- Ne pas insérer les doigts, les bâtons, etc. dans l'entrée ou la sortie d'air. Le ventilateur tourne à grande vitesse et cela pourrait causer des blessures.
- Ne réparez ou ne remplacez aucune pièce de l'appareil. Tous les dépannages et entretiens doivent être effectués par un technicien qualifié, sauf si cela est spécifiquement recommandé dans ce manuel. Utilisez uniquement des pièces d'usine autorisées.
- Connectez-vous à un circuit électrique d'une tension appropriée, protégé et dimensionné pour éviter une surcharge électrique.

INSTRUCTIONS DE SÉCURITÉ IMPORTANTES

⚠ ATTENTION Pour réduire le risque de blessure, de dysfonctionnement ou de détérioration du produit ou de la propriété lors de l'utilisation de cet appareil, respectez les mesures de sécurité de base, y compris les mesures suivantes:

INSTALLATION

- Utilisez cet appareil uniquement aux fins prévues.
Ce produit n'est pas conçu pour préserver des instruments de précision, de la vaisselle ou des œuvres d'art.
- Ne débranchez jamais l'appareil en tirant sur le cordon d'alimentation. Il faut toujours tenir la fiche fermement et tirez-le de la prise.
- N'utilisez pas le produit dans des endroits où des chimiques sont utilisées.
Les produits chimiques et les solvants dissous dans l'air pourraient provoquer une déformation et une fuite.
- Éteignez le déshumidificateur et débranchez le cordon d'alimentation avant de le nettoyer.
Attendez que le ventilateur cesse de tourner.
- Ne pas utiliser le déshumidificateur sans filtre.
L'utilisation du produit sans filtre peut entraîner une réduction de la durée de vie du produit, un choc électrique ou des blessures.

OPÉRATION

- Ne pas utiliser le produit pour conserver des animaux / plantes, des instruments de précision, des œuvres d'art, etc.
- Ne placez aucun objet sur le déshumidificateur.
- Éteignez le déshumidificateur et videz le seau d'eau avant de déplacer le déshumidificateur.
- Retirez la fiche d'alimentation si vous n'utilisez pas le produit pendant une période prolongée.
- N'utilisez pas le produit dans un espace très restreint tel qu'un placard.
Une mauvaise ventilation peut entraîner une surchauffe.
- N'utilisez pas de cire, de diluant ou de détergent puissant lors du nettoyage. Essayez le produit avec un chiffon doux.
- N'utilisez pas le produit en plein soleil ou sous la pluie.
- Ne touchez pas le produit avec des mains mouillées.
- Placez le produit sur une surface ferme et stable.
- Retirez les attaches de câble et rallongez le cordon d'alimentation avant utilisation.
- Ne pas vaporiser de substances étrangères ou d'eau sur le produit.

ENREGISTRER CES INSTRUCTIONS


RANGEMENT ET MISE EN REBUT DE L'APPAREIL

- Disposez de cet appareil conformément aux règlements fédéraux et locaux.
- Les réfrigérants doivent être évacués avant la disposition.
- Veuillez recycler ou disposer du matériau d'emballage du produit d'une façon écologique.
- Pour éviter des dégâts au compresseur, ne placez ou expédiez jamais l'appareil à l'envers ou de côté.

CONTRAINTES D'INSTALLATION

Contraintes électriques

⚠ ATTENTION



Risque de choc électrique

L'appareil doit toujours être branché à une prise à trois broches mise à terre.
N'enlevez pas la broche de terre.
N'utilisez pas d'adaptateur.
N'utilisez pas de rallonge.
Ne pas suivre ces instructions peut entraîner un décès un incendie ou un choc électrique.

Des exigences électriques spécifiques sont indiquées dans l'image ci-dessous. Suivez les exigences pour le type de prise à mettre sur le cordon d'alimentation électrique.

Spécifications de l'alimentation



- 220-240V ~ / 50Hz
- Un fusible ou disjoncteur temporisé de 15A

Méthode de mise à la terre recommandée

Ce déshumidificateur doit être relié à la terre. Ce déshumidificateur est équipé d'un cordon d'alimentation électrique avec une prise à trois broches mise à terre. Le cordon doit être branché dans une prise à trois broches appropriée et mise à terre conformément à toutes les normes et règlements locaux. S'il n'existe pas de prise appropriée, c'est la responsabilité du client d'avoir une prise à trois broches mise à terre installée par un électricien qualifié.

C'est la responsabilité du client de :

- Contacter un technicien qualifié.
- S'assurer que l'installation électrique est adéquate et conforme au Code national électrique, ANSI / NFPA 70-nouvelle édition, et toutes les normes et règlements locaux.

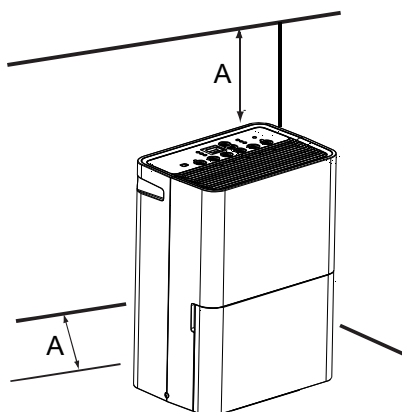
Contraintes d'emplacement



ATTENTION Pour réduire le risque de blessure, de dysfonctionnement ou de détérioration du produit ou de la propriété lors de l'utilisation de cet appareil, respectez les mesures de sécurité de base, y compris les mesures suivantes:

REMARQUE :

- Votre modèle peut être différent de celui illustré ci-dessous.
- Ce produit ne doit pas être utilisé ni étayé dans un espace confiné (la surface du sol doit être supérieure à 5 m²).



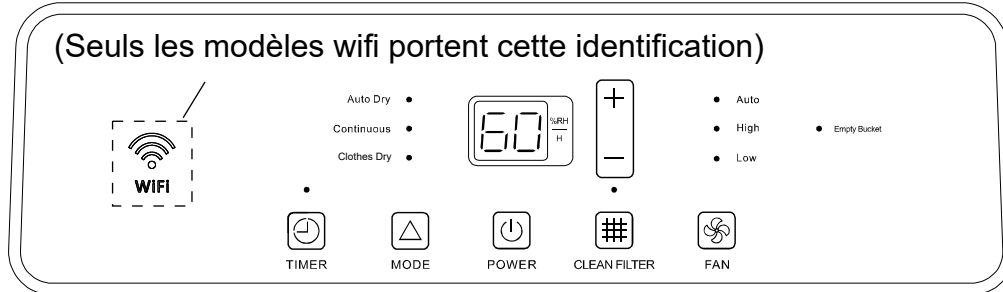
A. 30,5 cm à 45,7 cm

- Ne placez pas l'appareil à l'extérieur. Ce déshumidificateur est destiné à un usage résidentiel intérieur uniquement (il doit être installé, utilisé et étayé dans un espace non-confiné avec une surface du sol supérieure à 5 m²). Ce déshumidificateur n'est pas recommandé pour un utilisation commerciale.
- Laissez un espace d'au moins 30,5 cm à 45,7 cm à l'arrière et sur les côtés du déshumidificateur pour les modèles avec volets arrière et au-dessus du déshumidificateur pour les modèles avec volets en dessus.
- Vous aurez besoin d'une surface suffisamment solide pour supporter le déshumidificateur. Ne le placez pas sur un tapis. Assurez-vous que le déshumidificateur est bien placé avant de le mettre en marche, pour éviter tout renversement.
- Vous auriez besoin d'une surface suffisamment nivelée pour éviter que l'eau ne se déverse lorsque le seau est plein.
- Ne bloquez pas les persiennes de l'appareil.
- Ne jamais utiliser ce déshumidificateur dans une zone susceptible d'accumuler de l'eau stagnante. Si cette condition se développe, pour votre sécurité, débranchez l'alimentation électrique avant d'entrer en contact avec cette eau.
- Éteignez le déshumidificateur, débranchez le cordon d'alimentation et videz le seau avant de déplacer l'appareil pour éviter toute fuite d'eau ou le choc électrique.

UTILISATION DU DÉSHUMIDIFICATEUR

Configuration

Panneau de contrôle



REMARQUE :

- Le point de consigne est l'Humidité Relative : plus le point est faible, plus l'air est sec ; plus le point est élevé, moins l'air est sec.
- Le panneau de commande de votre modèle peut différer de celui illustré ci-dessus.

Démarrage / Arrêt du déshumidificateur

ATTENTION Le déshumidificateur doit être en position verticale pendant au moins 2 heures avant son utilisation.

ATTENTION Ne tirez pas le seau d'eau pendant l'utilisation normale, sinon vous risqueriez de vous électrocuter. Si vous souhaitez déplacer le déshumidificateur, rassurez-vous d'abord de débrancher le cordon d'alimentation.

REMARQUE :

- Avant de démarrer le déshumidificateur, rassurez-vous que le seau est vide et bien placé dans le déshumidificateur.
- Chaque fois que vous débranchez le déshumidificateur ou la puissance est interrompue, les commandes retourneront aux réglages précédents lorsque l'alimentation est rétablie.
- L'humidité affichée est comprise entre 30% d'humidité relative et 90% d'humidité relative.
- L'humidité peut être réglée entre 30% d'humidité relative et 80% d'humidité relative.
- Il est important de définir le niveau d'humidité désiré à un réglage réalisable. Pour assurer un fonctionnement efficace de l'énergie, utilisez le déshumidificateur uniquement dans un espace clos, sans fenêtres ouvertes ou d'autres sources d'air humide (pour éviter un fonctionnement continu).
- La température de fonctionnement est comprise entre 5°C et 32°C. L'humidité de fonctionnement est comprise entre 30% HR et 80% HR. À des températures de 5°C ou moins, l'eau gèle à l'intérieur du produit. À des températures supérieures à 32°C, la température interne du produit déclenche un dispositif de sécurité qui désactive le produit pour éviter d'endommager le produit.
- Le compresseur dispose d'un délai de 3 minutes avant de redémarrer. Si le produit est arrêté et redémarré immédiatement, il faudrait attendre 3 minutes avant de redémarrer le compresseur pour garantir la protection de ce dernier.

- Lorsque le déshumidificateur fonctionne la température intérieure augmente. Le déshumidificateur n'a pas de fonction de refroidissement ou de chauffage. La chaleur est générée pendant son fonctionnement, de sorte que la température ambiante peut augmenter d'environ 5°C en fonction des conditions d'utilisation (température intérieure, taille de la pièce)

ATTENTION



Risque de choc électrique

L'appareil doit toujours être branché à une prise à trois broches mise à terre.
N'enlevez pas la broche de terre.
N'utilisez pas d'adaptateur.
N'utilisez pas de rallonge.
Ne pas suivre ces instructions peut entraîner un décès ou un choc électrique.

1. Branchez l'appareil dans une prise à trois broches mise à la terre.
2. Appuyez sur POWER pour allumer le déshumidificateur.
3. Appuyez sur FAN pour sélectionner la vitesse de ventilation.
4. Appuyez sur MODE pour choisir le mode (Auto Dry/Continuous/Clothes Dry/Manual set).
5. Appuyez sur le bouton plus ou moins pour régler le niveau d'humidité en mode de réglage manuel.
6. Appuyez sur POWER pour éteindre le déshumidificateur.



REMARQUE :

En cas de panne ou d'interruption de courant, le déshumidificateur redémarrera automatiquement selon les derniers réglages utilisés, dès que l'alimentation est rétablie.

Vitesse de ventilation

1. Appuyez sur FAN pour sélectionner la vitesse de ventilation.
2. Choisissez entre Low, High et Auto.




- Low (Faible) - Permet d'atteindre le réglage d'humidité désiré avec un niveau sonore plus faible.
- High (Élevée) - Permet d'atteindre plus rapidement le réglage d'humidité désiré.
- Auto - Permet d'atteindre l'humidité de consigne à une vitesse nominale.

REMARQUE :

Une fois que l'humidité relative de la pièce atteint le réglage désiré, le compresseur s'arrêtera et le ventilateur s'arrêtera périodiquement. Le ventilateur pourrait s'allumer périodiquement pour lire le taux d'humidité, sans que le compresseur ne fonctionne.

Mode d'humidité désiré

1. Appuyez sur MODE pour sélectionner le réglage d'humidité désiré.
 - Mode de séchage automatique : le voyant de séchage automatique est allumé.
 - Mode de séchage continu : le voyant de séchage continu est allumé.
 - Mode de séchage des vêtements : le voyant de séchage des vêtements est allumé.
 - Mode de réglage manuel : Le voyant de séchage automatique, le voyant de séchage continu et le voyant de séchage des vêtements sont éteints.
- 
2. Choisissez Auto Dry, Continuous, Clothes Dry ou Manual Set.
 - Auto Dry (Séchage automatique): Le déshumidificateur ne fonctionne qu'en mode Dry. La vitesse de ventilation est réglée automatiquement. Le taux d'humidité désiré est réglé à 50 % automatiquement.
 - Continuous (continue) : Le déshumidificateur fonctionnera en continu. La vitesse du ventilateur peut être ajustée. L'humidité désirée ne peut pas être ajustée.
 - Clothes Dry (Séchage des vêtements) : Le déshumidificateur fonctionne en mode de déshumidification forte et passe automatiquement en mode de séchage en fonction de l'humidité réelle de la pièce. Une fois le séchage terminé, le mode de séchage se désactivera automatiquement et le voyant du mode Vêtements commencera à clignoter. Lorsque vous appuyez à nouveau sur la touche Mode, vous entrera à nouveau dans le mode de séchage et le voyant de mode passera de clignotant à allumé. L'humidité désirée ne peut pas être ajustée.
 - Manual Set (Réglage manuel) : Le déshumidificateur fonctionnera à la vitesse du ventilateur sélectionnée jusqu'au taux d'humidité réglé. Si le taux d'humidité de la pièce est plus élevé que le réglage d'humidité désiré, le compresseur se mettra en marche. Si le taux d'humidité de la pièce est plus bas que le réglage d'humidité désiré, le compresseur s'éteindra, ainsi que le ventilateur.

REMARQUE :

La fonction de dégivrage désactivera le compresseur si la température est basse. Lorsque le dégivreur détecte la bonne température de fonctionnement, le compresseur se remettra en marche. Un certain gel est normal lorsque le déshumidificateur est utilisé à basse température.

Voyant Empty Bucket (Seau Vide)

Si ce voyant est allumé, le ventilateur et le compresseur cesseront de fonctionner. Ce voyant indique que vous devez vérifier :

- Si le seau est plein, videz-le et réinstallez-le.
- Si le seau n'est pas en position, retirez-le et réinstallez-le. Assurez-vous que le seau est bien inséré dans le déshumidificateur et que le voyant de seau est éteint, sinon le déshumidificateur ne fonctionnera pas.

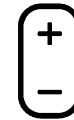
Puissance

Appuyez sur POWER pour allumer ou éteindre le déshumidificateur.



Taux d'humidité

1. Appuyez sur le bouton Plus ou Moins pour régler le taux d'humidité désiré. Le taux d'humidité désiré dans l'affichage numérique clignotera pendant 5 secondes après le fonctionnement.



2. Le taux d'humidité courant de la pièce sera affiché après 5 secondes de clignotement du taux d'humidité désiré.

REMARQUE :

Le taux d'humidité ne peut être ajusté que manuellement en mode Manual Set. En mode Continuous et Auto Dry, le taux d'humidité est réglé automatiquement.

Écran numérique

L'écran indique l'humidité relative ou le temps (selon le réglage).

1. Lorsque le déshumidificateur fonctionne en mode Manual Set, l'écran affichera l'humidité relative de la pièce.
2. Lorsque la minuterie est sélectionnée, l'écran affichera l'heure à laquelle le déshumidificateur s'allumera et s'éteindra, selon le réglage.



REMARQUE :

Le taux d'humidité affiché n'est donné qu'à titre indicatif. Pour assurer un taux d'humidité précis, veuillez utiliser un hygromètre.

Timer (minuterie)

Pour régler la Minuterie pour un délai de 30 minutes à 24 heures avant que le déshumidificateur ne s'éteigne (le déshumidificateur doit être en marche):

1. Appuyez sur TIMER. Le voyant de la minuterie s'allumera et l'écran clignotera. L'écran affichera le temps restant avant que le déshumidificateur ne s'éteigne.



- Appuyez sur le bouton Plus ou Moins pour changer le temps de délai : de 30 minutes à 24 heures.

Pour régler la minuterie afin d'allumer le déshumidificateur avec les réglages précédents :

- Éteignez le déshumidificateur.
- Appuyez sur TIMER. Le voyant de la minuterie clignotera.
L'écran affichera le temps restant avant que le déshumidificateur ne se mette en marche.
- Appuyez sur le bouton Plus ou Moins pour changer le temps de délai : de 30 minutes à 24 heures.

Pour effacer la programmation de délai de la Minuterie :

REMARQUE : Le déshumidificateur peut être allumé ou éteint.

- Appuyez sur TIMER une fois après que la minuterie a été programmée. L'écran affichera le temps restant.
- Lorsque l'écran affiche le temps restant, appuyez sur TIMER à nouveau. Le voyant de la Minuterie s'éteindra.

Pour visualiser le temps restant.

Appuyez sur TIMER une fois après que la minuterie a été programmée.

L'écran affichera le temps restant.

REMARQUE :

Videz le seau d'eau de vidange avant de régler la fonction Minuterie. Si le seau d'eau devient plein pendant la fonction Minuterie, le voyant Empty Bucket s'allume et la déshumidification s'arrête.

Clean Filter (Nettoyer le filtre)

- Lorsque le voyant Clean Filter est allumé, enlevez, nettoyez et remplacez le filtre à air. Reportez-vous à « Nettoyage du filtre à air ».
- Appuyez sur le bouton Clean Filter pour réinitialiser le moniteur du filtre.



REMARQUE :

Lorsque le voyant est allumé, il restera allumé pendant 180 heures ou jusqu'à ce que vous appuyiez sur le bouton Clean Filter.

Vidange du déshumidificateur

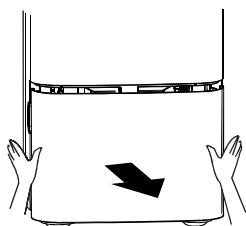
⚠ ATTENTION

Risque de maladie
Ne pas boire l'eau recueillie dans le seau.
Cela peut causer des maladies.

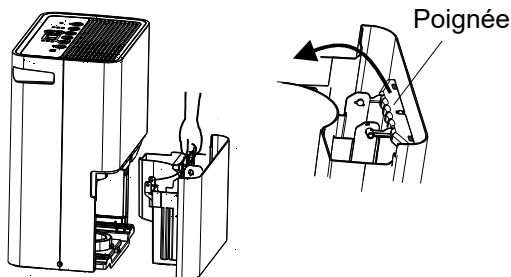
Option 1 Vidange du seau

Si un drain de sol n'est pas disponible, ou si vous ne prévoyez pas utiliser votre déshumidificateur en permanence, vous pourriez tout simplement vider le seau.

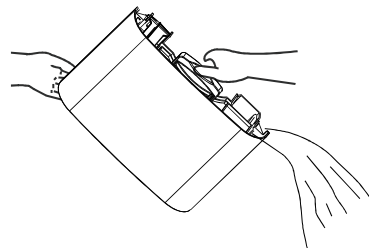
- Tenez les côtés du seau pour le faire glisser hors de l'appareil.



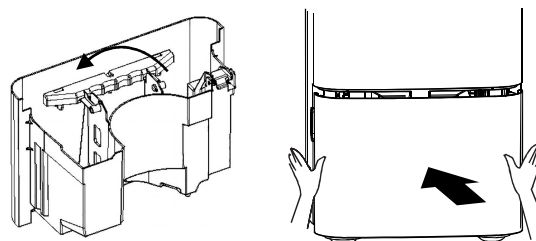
- Soulevez le seau par la poignée.



- Versez l'eau dans un évier ou un lavabo.



- Rabattez la poignée et remettez le seau en place.



IMPORTANT:

Si l'indicateur lumineux Seau Vide est allumé, le déshumidificateur ne fonctionnera plus. Le seau peut devoir être vidé ou réinstallé.

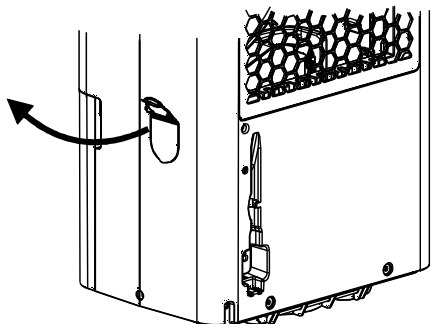
REMARQUE :

- Si le seau d'eau est retiré immédiatement après avoir éteint le déshumidificateur, l'eau restante dans l'échangeur de chaleur peut se vider à l'intérieur de la zone de stockage du seau d'eau. Nettoyez cette eau avec un chiffon doux.
- Lors du nettoyage, ne touchez pas le flotteur du niveau d'eau.
- Nettoyez le seau d'eau une fois par semaine pendant l'utilisation.
- Si la température ambiante est basse, il y a moins d'humidité pour aspiration par l'appareil.
- Débranchez l'appareil avant de retirer le seau d'eau. Si le seau est retiré pendant le fonctionnement de l'appareil, le compresseur s'arrêtera.

Option 2 Vidange à gravité

Si vous prévoyez laisser votre déshumidificateur allumer en permanence, vous pouvez choisir une vidange directe par la fixation d'un tuyau de vidange à l'appareil.

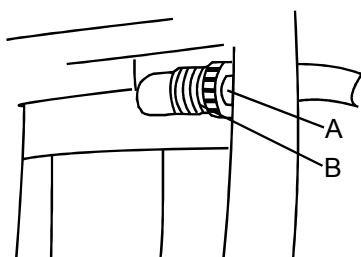
1. Éteignez le déshumidificateur et débranchez le cordon d'alimentation.
2. Découvrez le couvercle du connecteur sur le côté de l'appareil.



3. Retirez le seau.
4. Raccordez un tuyau d'arrosage au connecteur du tuyau de vidange à l'intérieur du déshumidificateur. Fixez fermement le tuyau pour vous assurer qu'il n'y a pas de fuite d'eau.

REMARQUE :

- Le tuyau d'arrosage est vendu séparément.
- Et le diamètre intérieur du tuyau de vidange doit être supérieur à 12,7 mm.
- Le connecteur est conçu uniquement pour les tuyaux d'arrosage nord-américains.



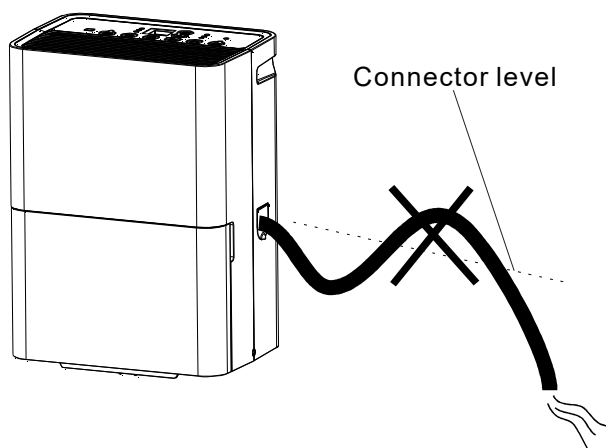
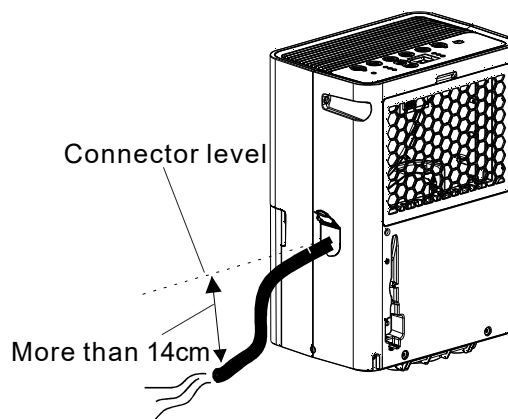
A. Tuyau d'arrosage
B. Connecteur du tuyau de vidange

IMPORTANT :

En Amérique du Nord, les connecteurs du tuyau de jardin sont à filetage droit (non conique) de 3/4" de diamètre à pas de 4,52 filets par cm (la partie mâle est de 26,99 mm de diamètre extérieur).

ATTENTION Veillez à ne pas vous blesser les mains lors de la connexion du tuyau.

5. Placez l'autre extrémité du tuyau d'arrosage dans un drain de plancher. Vérifiez que le tuyau est à plat et est dans le drain. Assurez-vous que toutes les parties du tuyau sont à un niveau inférieur à celui du connecteur du tuyau sur le déshumidificateur. De même, la sortie du tuyau doit être au moins 14 cm au-dessous du connecteur du tuyau. Le tuyau ne doit pas être plié ni pincé.



6. Réinstallez le seau.

REMARQUE :

- Pour utiliser le seau sans le tuyau d'arrosage, il suffit de retirer le tuyau d'arrosage et de replacer le bouchon en caoutchouc.
- Le seau doit être installé et correctement aligné pour que le déshumidificateur puisse fonctionner avec ou sans un tuyau d'arrosage relié.

Sons normaux

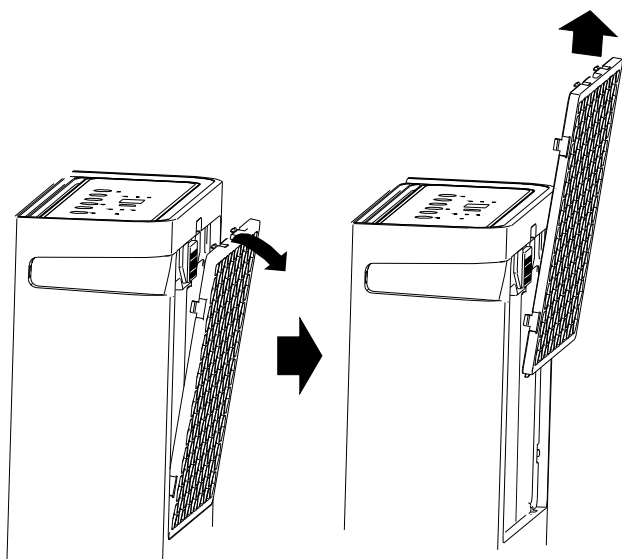
Lorsque votre déshumidificateur fonctionne normalement, vous pouvez entendre des sons tels que :

- Le bourdonnement du compresseur qui peut parfois être fort.
- Un mouvement d'air du ventilateur.
- Déclis lorsque le compresseur ou le déshumidificateur se met en marche et s'éteint et lorsque le commutateur d'arrêt automatique fonctionne bien.

ENTRETIEN DU DÉSHUMIDIFICATEUR

Votre nouveau déshumidificateur est conçu pour fonctionner de façon fiable pendant de nombreuses années. Cette partie explique comment nettoyer et prendre soin de votre déshumidificateur. Pour éviter des dégâts au compresseur, ne placez ou n'expédiez jamais l'appareil à l'envers ou de côté.

Nettoyage du filtre à air



Le filtre à air est amovible pour un nettoyage facile. Un filtre propre aide à éliminer de la poussière, des peluches et autres particules de l'air et il est important pour une meilleure efficacité de fonctionnement. Vérifiez le filtre toutes les deux semaines pour voir si un nettoyage est nécessaire.

1. Éteignez le déshumidificateur.
2. Retirez le filtre à air.
3. Utilisez un aspirateur pour nettoyer le filtre à air. Si le filtre à air est sale, lavez-le avec de l'eau tiède et un détergent doux.
4. Réinstallez le filtre à air.
5. Allumez le déshumidificateur.

REMARQUE :

Ne pas laver le filtre à air dans le lave-vaisselle ou utiliser de nettoyant chimique. Faites sécher filtre complètement à l'air avant de le réinstaller pour assurer une efficacité maximale.

Nettoyage du déshumidificateur

Extérieur

1. Éteignez le déshumidificateur et débranchez le cordon d'alimentation.
2. Essuyez la surface de l'appareil avec un chiffon doux ou l'accessoire de dépoussiérage de votre aspirateur.

Seau d'eau

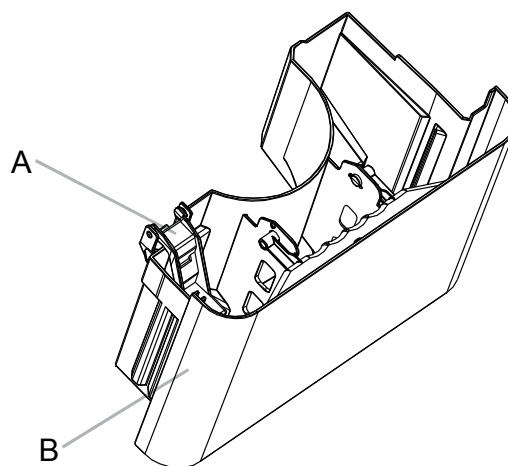
Après quelques semaines, rincez l'intérieur du seau d'eau avec un détergent doux pour éviter la croissance des moisissures et des bactéries.

Flotteur du niveau d'eau

Le seau d'eau du déshumidificateur dispose d'un flotteur de niveau d'eau. Ne pas endommager ou enlever le flotteur du niveau d'eau du seau. Si le flotteur n'est pas correctement installé, l'indicateur lumineux SEAU VIDE s'allumera tout en perturbant le fonctionnement de l'appareil. Ceci pourrait entraîner des fuites.

REMARQUE :

Rassurez-vous que le flotteur est correctement enclenché en place.



- A. Flotteur de niveau d'eau
B. Seau


DÉPANNAGE

Avant d'appeler le centre d'assistance, essayez d'appliquer ces suggestions ci-dessous.

Le déshumidificateur ne fonctionne pas

- Est-ce que le déshumidificateur est en marche? Allumez le déshumidificateur.

⚠ ATTENTION



Risque de choc électrique

Branchez-le dans une prise à trois broches mise à la terre.
N'enlevez pas la broche de terre.
N'utilisez pas d'adaptateur.
N'utilisez pas de rallonge.
Ne pas suivre ces instructions peut entraîner un décès un incendie ou un choc électrique.

- Est-ce que le cordon d'alimentation est branché dans une prise à trois broches mise à la terre? Branchez-le dans une prise à trois broches mise à la terre.
Voir les « exigences électriques » à la page 12.
- Est-ce qu'un fusible est grillé ou le disjoncteur s'est déclenché? Remplacez le fusible ou ré-enclenchez le disjoncteur.
Si le problème persiste, appelez un électricien.
Voir les « exigences électriques » à la page 12.
- Est-ce que le seau est correctement installé?

Réinstallez le seau pour qu'il entre entièrement dans le déshumidificateur.

- Est-ce que le seau doit être vidé? Videz le seau.
- Est-ce que le flotteur de niveau d'eau est en place? Retirez le seau. Rassurez-vous que le flotteur est bien en place. Réinstallez le seau.
- Est-ce que le déshumidificateur s'est arrêté soudainement et ne veut plus s'allumer? Vérifiez si le cordon d'alimentation est connecté, et si le seau est en place. Si l'appareil ne fonctionne toujours pas, appelez Hisense pour un service de garantie.

Le déshumidificateur est en marche, mais ne déshumidifie pas.

- Tous les modèles ont une fonction de dégivrage automatique qui arrête le compresseur et laisse tourner le ventilateur. Lorsque la fonction de dégivrage détecte la bonne température de fonctionnement, le compresseur se remettra en marche.
- Le filtre est sale ou obstrué des débris. Nettoyez le filtre.

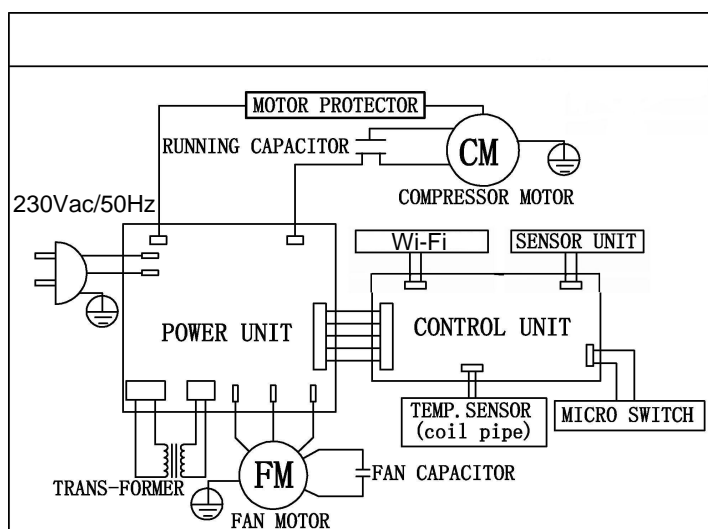
L'air provenant du déshumidificateur est chaud

- Le déshumidificateur renvoie de l'air chaud dans des conditions de fonctionnement normales.

Le déshumidificateur affiche des codes d'erreur

- Si le déshumidificateur affiche un code d'erreur, veuillez contacter le service client Hisense.

SCHÉMA DE CIRCUIT



Hisense

Руководство по эксплуатации и уходу за осушителем воздуха

Благодарим Вас за то, что приобрели осушитель воздуха данной модели. Пожалуйста, внимательно прочитайте данное руководство по эксплуатации и уходу перед использованием данного устройства, сохраните данное руководство для обращения к нему в будущем.

СОДЕРЖАНИЕ

О ПРОДУКТЕ	1
МЕРЫ БЕЗОПАСНОСТИ	2
БЕЗОПАСНОСТЬ ОСУШИТЕЛЯ ВОЗДУХА	9
ТРЕБОВАНИЯ ДЛЯ УСТАНОВКИ	12
Требования по электроснабжению	12
Требования к расположению	12
ИСПОЛЬЗОВАНИЕ ОСУШИТЕЛЯ ВОЗДУХА	13
Настройка элементов управления	13
Слив поглощенной влаги осушителя	15
Нормальные звуки	16
УХОД ЗА ОСУШИТЕЛЕМ	17
Чистка воздушного фильтра	17
Чистка осушителя	17
УСТРАНЕНИЕ НЕИСПРАВНОСТЕЙ	18

ИНСТРУКЦИИ ПО БЕЗОПАСНОСТИ

Устройством разрешено пользоваться детям от 8 лет и старше, а также лицам со сниженными физическими, сенсорными или мыслительными способностями, или не имеющим опыта использования и знаний, если они находятся под присмотром или проинструктированы как пользоваться прибором безопасным образом, и понимают связанные с ним опасности. Детям не следует играть с устройством. Чистка и уход за устройством не должны осуществляться детьми без присмотра.

Следует контролировать, чтобы дети не играли с устройством.

Если шнур питания поврежден, он должен быть заменен производителем, его сервисным агентом или столь же квалифицированным лицом во избежание опасности.

Устройство необходимо подключать в соответствии с правилами выполнения электропроводки в вашей стране. Диапазон внешнего статического давления от -0,2 Па до 0,2 Па. Дистанция до легко воспламеняемых предметов должна составлять не менее 5 метров. Не используйте кондиционер в помещениях с повышенной влажностью, таких как ванная или прачечная.

ОХРАНА ОКРУЖАЮЩЕЙ СРЕДЫ

Этот прибор изготовлен из материала, пригодного для повторного использования или вторичной переработки. Утилизация должна осуществляться в соответствии с местными правилами утилизации отходов. Перед утилизацией обязательно отрежьте сетевой шнур, чтобы устройство нельзя было использовать повторно.

Для получения более подробной информации об обращении с этим устройством после использования и его утилизации обращайтесь в местные организации, которые занимаются отдельным сбором мусора, или в магазин, где вы приобрели прибор.

УТИЛИЗАЦИЯ УСТРОЙСТВА

Это устройство имеет маркировку в соответствии с Европейской директивой 2012/19/EU, Об отходах электрического и электронного оборудования (WEEE).

Эта маркировка указывает на то, что данный продукт не следует утилизировать вместе с другими бытовыми отходами на территории ЕС. Чтобы предотвратить возможный вред окружающей среде или здоровью людей от неконтролируемой утилизации отходов, утилизируйте их ответственно, чтобы способствовать устойчивому повторному использованию материальных ресурсов. Чтобы вернуть использованное устройство, воспользуйтесь системами возврата и сбора или обратитесь к продавцу, у которого был приобретен продукт. Они могут принять этот продукт для экологически безопасной переработки.



ВНИМАНИЕ

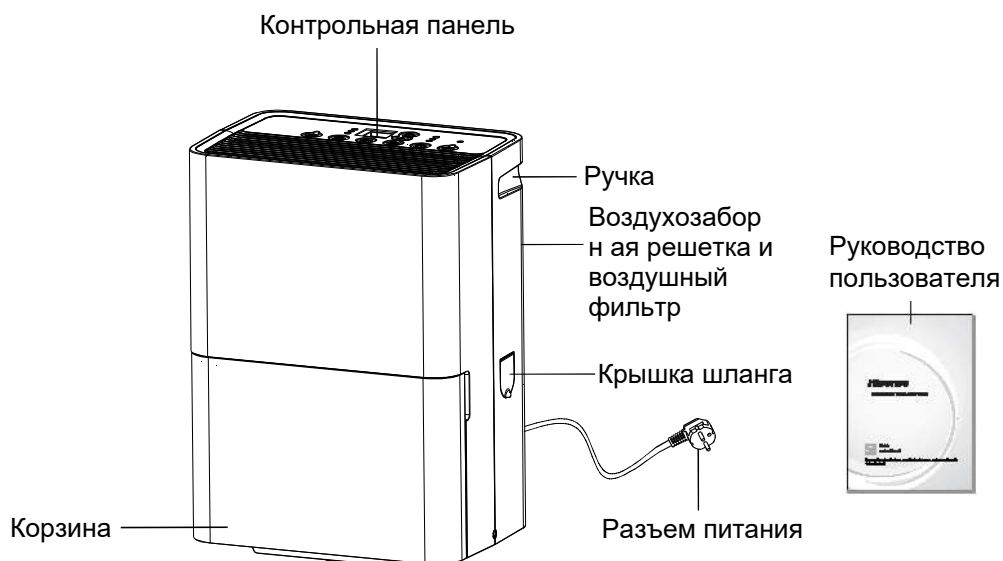
- Не используйте средства для ускорения процесса размораживания или очистки, кроме рекомендованных производителем.
- Прибор должен храниться в помещении без постоянно действующих источников возгорания (например, открытого огня, газовых приборов или электрических обогревателей).
- Не прокалывать и не сжигать.
- Помните, что хладагенты могут не иметь запаха.
- Прибор должен устанавливаться, эксплуатироваться и храниться в помещении с площадью пола, превышающей 5 м².
- Помещения, где проходят трубы для хладагента должны соответствовать национальным газовым нормам.
- Обслуживание должно выполняться только в соответствии с рекомендациями производителя.
- Устройство следует хранить в хорошо проветриваемом помещении, где размер помещения соответствует площади помещения, указанной для работы устройства.
- Все рабочие процедуры, которые влияют на средства безопасности, должны выполняться только компетентными лицами.
- Устройство должно храниться в помещении без открытого огня (например, газовых приборов) и источников возгорания (напр. электрических обогревателей).
- Следует принять предосторожности для защиты данного устройства от механического повреждения.
- Любое лицо, работающее с контуром хладагента или вскрывающее его, должно иметь действующий сертификат от аккредитованного отраслевого органа по оценке, который уполномочивает их квалификацию по обращению с хладагентами в соответствии с признанными в отрасли условиями оценки.
- Обслуживание должно выполняться только в соответствии с рекомендациями производителя оборудования. Техническое обслуживание и ремонт, требующие помощи другого квалифицированного персонала, должны проводиться под наблюдением лица, знакомого с использованием легковоспламеняющихся хладагентов.

Пояснение символов, использованных на устройстве?

 Внимание, опасность возгорания	ОСТОРОЖНО	<p>Этот символ показывает, что в данном устройстве используется легковоспламеняющийся хладагент. В случае утечки хладагента и воздействия внешнего источника возгорания существует опасность возгорания.</p>
	ВНИМАНИЕ	<p>Этот символ указывает на то, что руководство по эксплуатации следует внимательно прочитать.</p>
	ВНИМАНИЕ	<p>Этот символ показывает, что обслуживающий персонал должен обращаться с этим оборудованием прочитав руководство по установке.</p>
	ВНИМАНИЕ	<p>Этот символ показывает, что в наличии имеется руководство по эксплуатации или руководство по установке.</p>

Параметры предохранителя устройства: (T2,5A, 250В).

О ПРОДУКТЕ



ПРИМЕЧАНИЕ:

Цифры в данном руководстве основаны на виде стандартной модели. Они могут отличаться от тех, которые используются в выбранном вами осушителе воздуха.

МЕРЫ БЕЗОПАСНОСТИ

Меры предосторожности при использовании хладагента R290

Основные процедуры монтажа аналогичны тем, которые применяются с обычным хладагентом (R22 или R410A). Однако обратите внимание на следующие моменты:

ВНИМАНИЕ

1. **Перевозка оборудования, содержащего легко воспламеняющиеся хладагенты**
Соблюдение правил перевозки
2. **Маркировка оборудования с использованием знаков**
Соблюдение местных норм
3. **Утилизация оборудования, содержащего легко воспламеняющиеся хладагенты**
Соответствие национальным нормам
4. **Хранение оборудования / техники**
Хранение оборудования должно осуществляться в соответствии с инструкциями производителя.
5. **Хранение упакованного (непроданного) оборудования**
 - Защитная упаковка должна быть сконструирована таким образом, чтобы механическое повреждение оборудования внутри упаковки не приводило к утечке заправленного хладагента.
 - Максимальное количество единиц оборудования, разрешенное к хранению вместе, должно быть определено местными правилами.
6. **Информация по обслуживанию**
 - 6-1 **Проверка помещения**
Перед началом работ с системами, содержащими легко воспламеняющиеся хладагенты, необходимо проверить помещение на предмет безопасности, чтобы минимизировать риск возгорания. Для ремонта холодильной системы необходимо соблюдать следующие меры предосторожности перед проведением работ в системе.
 - 6-2 **Порядок работы**
Работы должны проводиться в соответствии с контролируемой процедурой, чтобы минимизировать риск выброса горючего газа или паров во время выполнения работ.
 - 6-3 **Общие требования к помещению работ**
 - Весь обслуживающий персонал и другие работающие в помещении должны быть проинструктированы о характере выполняемых работ. Работ в замкнутых пространствах следует избегать.
 - Зона вокруг рабочего пространства должна быть отгорожена. Убедитесь, что условия в зоне работы безопасны, путем контроля наличия легко воспламеняющихся материалов.
 - 6-4 **Проверка наличия хладагента**
 - Помещение должно быть проверено соответствующим детектором хладагента до и во время работы, чтобы убедиться, что механик осведомлен о потенциально воспламеняющихся веществах в воздухе.
 - Убедитесь, что используемое оборудование для обнаружения утечек пригодно для использования с легко воспламеняющимися хладагентами, то есть искробезопасно, обеспечивает герметичность или взрывобезопасно.



ВНИМАНИЕ

6-5 Наличие огнетушителя

- Если необходимо проводить какие-либо огневые работы на холодильном оборудовании или любых связанных с ним деталях, необходимо иметь в наличии соответствующее оборудование для пожаротушения.
- Имейте сухой порошковый или углекислотный огнетушитель рядом с зоной зарядки

6-6 Отсутствие источников возгорания

- Никто из лиц, выполняющих работы в отношении холодильной системы, которые включают в себя работу с трубопроводами, которые содержат или содержали легковоспламеняющийся хладагент, не должны использовать какие-либо источники огня таким образом, чтобы это могло привести к пожару или взрыву.
- Все возможные источники возгорания, включая курение сигарет, должны находиться на достаточном расстоянии от места установки, ремонта, демонтажа и утилизации, во время которых легковоспламеняющийся хладагент может попадать в окружающее пространство.
- Перед началом работ необходимо осмотреть зону вокруг оборудования, чтобы убедиться в отсутствии воспламеняющихся или воспламеняющих факторов. Должны быть размещены знаки «Не курить».

6-7 Вентиляция помещения

- Перед тем, как проникнуть в систему или выполнить какие-либо огневые работы, убедитесь, что помещение открыто или что оно хорошо вентилируется.
- Эффективность вентиляции должна сохраняться в течение всего периода выполнения работ.
- Вентиляция должна безопасно рассеивать любой выпущенный хладагент и предпочтительно вытягивать его наружу в атмосферу.

6-8 Проверки холодильного оборудования

- При замене электрических компонентов, они должны соответствовать назначению и техническим требованиям.
- Всегда соблюдайте указания производителя по техническому обслуживанию и ремонту. В случае сомнений обратитесь за помощью в технический отдел производителя.
- Следующие проверки должны применяться к установкам, использующим легковоспламеняющиеся хладагенты:
 - Размер порции заправки соответствует размеру помещения, в котором установлены детали, содержащие хладагент;
 - Вентиляционное оборудование и выпуски работают надлежащим образом и не заблокированы препятствиями;
 - Если используется не прямой холодильный контур, вторичный контур должен быть проверен на наличие хладагента;
 - Маркировка оборудования продолжает оставаться видимой и разборчивой. Неразборчивые маркировки и знаки должны быть исправлены;
 - Холодильная труба или компоненты устанавливаются в таком месте, где они вряд ли будут подвергаться воздействию какого-либо вещества, которое может корродировать компоненты, содержащие хладагент, если компоненты не изготовлены из материалов, которые по своей природе устойчивы к коррозии или надлежащим образом защищены от такой коррозии.

ВНИМАНИЕ

6-9 Проверки электрических компонентов

- Ремонт и техническое обслуживание электрических компонентов должны включать в себя первоначальные проверки безопасности и процедуры проверки компонентов.
- Если обнаружена неисправность, которая может поставить под угрозу безопасность, то никакое электропитание нельзя подключать к цепи, пока неисправность не будет удовлетворительно устранена.
- Если неисправность не может быть исправлена немедленно, но необходимо продолжить работу, следует использовать безопасное временное решение.
- Об этом должно быть сообщено владельцу оборудования, чтобы все стороны были проинформированы.
- Первоначальные проверки безопасности должны включать следующее
 - Что конденсаторы разряжены: это должно быть сделано безопасным способом, чтобы избежать возможности искрения;
 - Убедитесь, что во время зарядки, восстановления или очистки системы нет открытых электрических компонентов и проводки под током;
 - Убедитесь в надежности всех контактов.

7. Ремонт герметичных компонентов

- Во время ремонта герметичных компонентов все источники электропитания должны быть отключены от оборудования, на котором выполняется работа, до снятия герметичных крышек и т. д.
- Если во время обслуживания абсолютно необходимо обеспечить электропитание оборудования, то в наиболее критической точке должен быть предусмотрен постоянно действующий датчик обнаружения утечки, чтобы предупредить о потенциально опасной ситуации.
- Особое внимание должно быть уделено тому, чтобы гарантировать, что при работе с электрическими компонентами устройство не меняется таким образом, чтобы это повлияло на уровень защиты.
- Это включает повреждение кабелей, чрезмерное количество соединений, клеммы, не выполненные в соответствии с оригинальной спецификацией, повреждение уплотнений, неправильную установку сальников и т.д.
- Убедитесь, что устройство надежно закреплено.
- Убедитесь, что уплотнения или уплотнительные материалы не разложились так, что они больше не предотвращают проникновение воспламеняющихся сред.
- Запасные части должны соответствовать спецификациям производителя.

ПРИМЕЧАНИЕ:

Использование силиконового герметика может снизить эффективность некоторых типов оборудования для обнаружения утечек. Искробезопасные компоненты не должны быть изолированы перед началом работы с ними.

8. Ремонт искробезопасных компонентов

- Не применяйте постоянные индуктивные или емкостные нагрузки в цепи, не убедившись, что они не превысят напряжение и ток, допустимые для используемого оборудования.
- Искробезопасные компоненты - единственные типы, над которыми можно

ВНИМАНИЕ

работать, когда они включены, в присутствии легковоспламеняющейся среды. Испытательное оборудование должно иметь правильный диапазон.

- Для замены компонентов используйте только детали, указанные производителем.
- Другие детали могут привести к возгоранию хладагента в атмосфере из-за утечки.

9. Кабели

- Убедитесь, что кабели не будут подвержены износу, коррозии, избыточному давлению, вибрации, контакту с острыми краями или любому другому неблагоприятному воздействию окружающей среды.
- Проверка также должна учитывать влияние старения или постоянной вибрации от таких источников, как компрессоры или вентиляторы.

10. Обнаружение легковоспламеняющихся хладагентов

- Ни при каких обстоятельствах нельзя использовать потенциальные источники возгорания при поиске или обнаружении утечек хладагента.
- Нельзя применять галоидный течеискатель (или любой другой детектор, использующий открытое пламя).

11. Методы обнаружения утечек

- Следующие методы обнаружения утечек считаются приемлемыми для систем, содержащих легковоспламеняющиеся хладагенты:
 - Для обнаружения легковоспламеняющихся хладагентов должны использоваться электронные датчики утечки, но чувствительность может быть недостаточной или может потребоваться повторная калибровка. (Оборудование для обнаружения должно быть откалибровано в зоне, свободной от хладагента.)
 - Убедитесь, что детектор не является потенциальным источником возгорания и подходит для используемого хладагента.
 - Оборудование для обнаружения утечки должно быть выставлено ниже предела возгорания хладагента и должно быть откалибровано в соответствии с используемым хладагентом так, чтобы был подтвержден соответствующий уровень обнаружения газа (максимум 25%).
 - Жидкости для обнаружения утечек подходят для использования с большинством хладагентов, но следует избегать использования моющих средств, содержащих хлор, поскольку хлор может вступать в реакцию с хладагентом и вызывать коррозию медных трубопроводов.
 - Если есть подозрение на утечку, все открытое пламя должно быть удалено/погашено.
 - Если обнаружена утечка хладагента, которая требует пайки, весь хладагент должен быть слит из системы или изолирован (с помощью запорных клапанов) в части системы, удаленной от утечки.
 - Бескислородный азот (OFN) необходимо продуть через систему как до, так и во время процесса пайки.

12. Снятие и вывоз

- При вскрытии контура хладагента для выполнения ремонта или для любых других целей должны использоваться стандартные процедуры.
- Тем не менее, важно придерживаться передового опыта, так как огнеопасность является важным фактором риска.
- Должна соблюдаться следующая процедура:
 - Удалить хладагент;
 - Продуть контур инертным газом;

ВНИМАНИЕ

- Эвакуировать;
- Вновь продуть инертным газом;
- Вскрыть контур путем резки или пайки.
- Заряд хладагента должен быть залит в правильные цилиндры.
- Система должна быть продута с помощью чистого азота, для обеспечения безопасности устройства.
- Этот процесс может потребоваться повторить несколько раз.
- Для этой задачи нельзя использовать сжатый воздух или кислород.
- Промывка должна производиться путем вытеснения вакуума из системы с помощью чистого азота и продолжения заполнения до тех пор, пока не будет достигнуто рабочее давление, затем выпуск газа в атмосферу и, наконец, сброс до вакуума.
- Этот процесс необходимо повторять до тех пор, пока в системе не останется хладагента. После окончательной продувки чистым азотом, давление в системе должно быть сброшено до атмосферного, чтобы обеспечить работу.
- Эта операция абсолютно необходима в случае, если производится пайка трубопроводов.
- Убедитесь, что выпуск от вакуумного насоса не находится вблизи источников возгорания и эта зона вентилируется.

13. Порядок зарядки

- В дополнение к обычным процедурам зарядки должны соблюдаться следующие требования:
 - Убедитесь, что при использовании зарядного оборудования не происходит загрязнения различными хладагентами.
 - Шланги или трубопроводы должны быть как можно короче, чтобы минимизировать количество хладагента, содержащегося в них.
 - Цилиндры должны быть в вертикальном положении.
 - Убедитесь, что система охлаждения заземлена до начала заправки системы хладагентом.
 - Промаркируйте систему, когда зарядка завершена (если это еще не сделано).
 - Следует соблюдать крайнюю осторожность, чтобы не переполнить систему охлаждения.
- Перед зарядкой системы она должна быть испытана под давлением с чистым азотом.
- Система должна быть проверена на предмет утечек после завершения зарядки, но до ввода в эксплуатацию.
- Вторичное испытание на герметичность должно быть проведено до выезда с площадки.

14. Вывод из эксплуатации

- Перед выполнением этой процедуры важно, чтобы техник полностью ознакомился с оборудованием и всеми его деталями.
- Рекомендуется, чтобы все хладагенты были безопасным образом собраны.
- Перед выполнением задачи необходимо взять пробу масла и хладагента в случае необходимости анализа перед повторным использованием регенерированного хладагента. Важно, чтобы электрическая энергия была в наличии до начала задачи.
 - а) Ознакомьтесь с оборудованием и его принципами работы.
 - б) Изолируйте электрическую часть.

ВНИМАНИЕ

с) Перед началом процедуры, убедитесь в следующем:

- При необходимости имеется механическое погрузочно-разгрузочное оборудование для работы с баллонами с хладагентом;
- Все средства индивидуальной защиты в наличии и используются правильно;
- Процесс утилизации всегда контролируется компетентным лицом;
- Оборудование для утилизации и цилиндры соответствуют соответствующим стандартам.

d) Откачайте давление в системе охлаждения, если это возможно.

e) Если создать вакуум невозможно, смонтируйте коллектор, чтобы хладагент можно было удалить из различных частей системы.

f) Убедитесь, что цилиндр расположен на весах до начала отбора

g) Запустите аппарат отбора и примените его в соответствии с инструкциями изготовителя.

h) Не переполняйте цилиндры. (не более 80% от объема заливки жидкости).

l) Не превышайте максимальное рабочее давление цилиндра, даже временно.

j) Когда цилиндры были заполнены правильно и процесс завершен, убедитесь, чтобы цилиндры и оборудование были немедленно удалены с площадки и все запорные клапаны на оборудовании закрыты.

к) Восстановленный хладагент не должен заправляться в другую систему охлаждения, пока он не очищен и не проверен.

15. Маркировка

- Оборудование должно иметь маркировку, указывающую, что оно выведено из эксплуатации и опорожнено от хладагента.
- Метка должна быть датирована и подписана.
- Убедитесь, что на оборудовании имеются метки, на которых указано, что оборудование содержит легковоспламеняющийся хладагент.

16. Восстановление

- При удалении хладагента из системы, для обслуживания или вывода из эксплуатации, рекомендуется, чтобы все хладагенты были удалены безопасно.
- При подаче хладагента в баллоны убедитесь, что используются только соответствующие баллоны для регенерации хладагента.
- Убедитесь, что доступно правильное количество баллонов для сбора всего запаса из системы.
- Все используемые баллоны предназначены для восстановленного хладагента и имеют маркировку для этого хладагента (т.е. специальные баллоны для регенерации хладагента).
- Баллоны должны быть укомплектованы предохранительным клапаном и соответствующими запорными клапанами в хорошем рабочем состоянии.
- Пустые баллоны для восстановления убираются и, если возможно, охлаждаются, до начала восстановления.
- Оборудование для восстановления должно быть в исправном рабочем состоянии с набором инструкций относительно оборудования, которое применяется в работе, и должно быть пригодным для сбора



ВНИМАНИЕ

- легковоспламеняющихся хладагентов.
- Кроме того, комплект калиброванных весов должен быть в наличии и в хорошем рабочем состоянии.
 - Шланги должны быть укомплектованы герметичными разъединительными муфтами и быть в хорошем состоянии.
 - Перед использованием аппарата регенерации убедитесь, что он находится в удовлетворительном рабочем состоянии, в хорошем состоянии и что все соответствующие электрические компоненты герметизированы для предотвращения возгорания в случае выброса хладагента
 - В случае сомнений проконсультируйтесь с производителем
 - Восстановленный хладагент должен быть возвращен поставщику хладагента в правильном баллоне для утилизации и должна быть оформлена соответствующая записка о передаче отходов.
 - Не смешивайте хладагенты в установках рекуперации, особенно в баллонах.
 - Если необходимо убрать компрессоры или удалить компрессорные масла, убедитесь, что они были откачаны до приемлемого уровня, чтобы убедиться, что горючий хладагент не останется в смазке.
 - Процесс эвакуации должен выполняться до возврата компрессора поставщикам.
 - Для ускорения этого процесса должен использоваться только электрический нагрев корпуса компрессора.
 - Слив масла из системы должен выполняться безопасно.

БЕЗОПАСНОСТЬ ОСУШИТЕЛЯ ВОЗДУХА

Ваша безопасность и безопасность других людей очень важны для нас

Мы разместили много важных сообщений о безопасности в этом руководстве и на вашем устройстве.

Всегда читайте и соблюдайте все сообщения о безопасности.



Это символ предупреждения об опасности.

Этот символ предупреждает вас о потенциальных опасностях, которые могут причинить смерть или вред вам и другим.

Все сообщения безопасности сопровождаются специальным символом со словом «ОПАСНОСТЬ» или «ОСТОРОЖНО»

Эти слова означают:

 **ОПАСНОСТЬ**

Опасность, которая, если ее не избежать, приведет к смерти или серьезным травмам.

 **ОСТОРОЖНО**

Опасность, которая, если ее не предотвратить, может привести к смерти или серьезной травме.

Все сообщения о безопасности сообщают вам о потенциальной опасности, расскажут о том, как снизить вероятность получения травмы, и о том, что может произойти, если не будут выполнены инструкции.

ВАЖНЫЕ ИНСТРУКЦИИ ПО БЕЗОПАСНОСТИ

ОПАСНОСТЬ

Чтобы снизить риск взрыва, пожара, смерти, электрического удара, ожогов или травм во время использования данного устройства, следуйте основным мерам предосторожности, включая следующие:

УСТАНОВКА

- Подключите к заземленной 3-контактной розетке. Не удаляйте контакт заземления.
- Никогда не пытайтесь использовать этот прибор, если он находится в поврежденном, неисправном, частично разобранным состоянии или содержит недостающие или сломанные детали, включая поврежденный шнур или штепсель.
- Не используйте электрический переходник или переходник с несколькими розетками при работе с этим осушителем.
- Не используйте удлинитель.
- Отключите осушитель воздуха от питания перед обслуживанием.
- Не пейте воду, собранную в корзину для сбора воды.
- Устройство не предназначено для использования маленькими детьми или людьми с ограниченными возможностями без наблюдения других. Маленькие дети должны находиться под наблюдением, чтобы гарантировать, что они не будут играть с данным устройством.
- При установке или перемещении устройства, следите за тем, чтобы не зацепить, не раздавить и не повредить провод питания.
- Держите упаковочные материалы подальше от детей. Упаковочный материал может быть опасен для детей. Существует риск удушья.
- Не ставьте устройство в воду во время использования и не позволяйте брызгам воды напрямую попадать на устройство во время его использования.
- Храните и устанавливайте устройство в месте, где оно не будет подвергаться воздействию температур ниже 0°C или уличным погодным условиям.
- Свяжитесь с квалифицированным специалистом обслуживания для ремонта или немедленной замены всех проводов питания, которые были повреждены. Не используйте провод, на котором видны следы трещин или износа по всей его длине или с какого-либо конца.

- Не используйте данное устройство, если розетка была повреждена или находится в расшатанном состоянии.
- В случае утечки пропана, газа LP и другого газа, не используйте данное или какое-либо другое устройство. Немедленно откройте окно или дверь и проветрите помещение.
- Не разбирайте, не ремонтируйте или не пытайтесь модифицировать устройство самостоятельно.
- Не храните осушитель воздуха рядом с воспламеняемыми газами или материалами.

ЭКСПЛУАТАЦИЯ

- Прочитайте все инструкции перед использованием устройства, сохраните данные инструкции.
- Не трогайте элементы управления без необходимости.
- Вставьте разъем питания в розетку полностью таким образом, чтобы он не шатался.
- Не хватайте кабель питания и не трогайте элементы управления устройства влажными руками.
- Не модифицируйте и не удлиняйте кабель питания.
- Если устройство издает странные звуки, запахи или дым, достаньте разъем питания из розетки и свяжитесь со службой поддержки Hisense.
- Не ставьте осушитель воздуха или другие тяжелые предметы на провод питания.
- Не промывайте осушитель воздуха водой.
- Следите за тем, чтобы отверстия для входа и выхода воздуха не были загорожены посторонними предметами.
- Не накрывайте шнур питания ковром или тряпками. Установка тяжелых предметов на шнур питания может привести к его повреждению.
- Держите устройство подальше от огня и высокой температуры.
- Не используйте данное устройство в местах, где на него могут попасть брызги воды.
- Не вставляйте пальцы, палочки и другие предметы в отверстия для входа и выхода воздуха. Вентилятор работает на высокой скорости и может привести к травмам.
- Не чините и не заменяйте самостоятельно какие-либо детали устройства. Ремонт и обслуживание устройства должны осуществляться квалифицированным персоналом, если иное не было специально указано в руководстве пользователя. Используйте только одобренные заводские детали.
- Подключите устройство к цепи питания с надлежащими номинальными значениями, защитой и размером, чтобы избежать перегрузки.

СОХРАНИТЕ ЭТИ ИНСТРУКЦИИ

▲ОСТОРОЖНО

Чтобы снизить риск получения травм, сбоев в работе или повреждения продукта или имущества при использовании данного устройства, соблюдайте основные меры предосторожности, включая следующие:

УСТАНОВКА

- Используйте данное устройство только по его непосредственному назначению. Данное устройство не предназначено для сохранения точных инструментов, посуды или произведений искусства.
- Никогда не пытайтесь отключить устройство от сети, потянув за шнур питания. Всегда держите вилку твердо и вытаскивайте ее прямо из розетки.
- Не используйте данное устройство в местах, где используются химические вещества. Химические вещества и растворители, содержащиеся в воздухе, могут привести к деформации или утечке устройства.
- Выключите осушитель воздуха и отключите разъем питания перед чисткой. Дождитесь, пока вентилятор прекратит работу.
- Не используйте осушитель воздуха без фильтра. Использование устройства без фильтра может привести к сокращению срока эксплуатации устройства, электрическому удару или травме.

ЭКСПЛУАТАЦИЯ

- Не используйте данное устройство для сохранения животных/растений, точных инструментов, произведений искусства и др.
- Не ставьте посторонние предметы на осушитель воздуха.
- Выключите осушитель воздуха и опустошите водосборник перед перемещением осушителя воздуха.
- Достаньте разъем питания из розетки, если вы не собираетесь использовать устройство продолжительный период времени.
- Не используйте устройство в очень тесных пространствах, например в шкафу. Плохая вентиляция может привести к перегреву устройства.
- Не используйте воск, разбавитель или сильное моющее средство во время чистки. Протрите устройство мягкой тряпкой.
- Не используйте устройство под воздействием прямых солнечных лучей или под дождем.
- Не трогайте устройство влажными руками.
- Поместите устройство на твердой, устойчивой поверхности.
- Снимите кабельные стяжки и размотайте шнур питания перед использованием.
- Не брызгайте водой или неизвестными веществами на устройство.

СОХРАНИТЕ ЭТИ ИНСТРУКЦИИ

ХРАНЕНИЕ И УТИЛИЗАЦИЯ УСТРОЙСТВА

- Осуществляйте утилизацию устройства в соответствии с Федеральными и местными правилами.
- Перед утилизацией необходимо откачать хладагент.
- Пожалуйста, осуществляйте переработку или утилизацию упаковочного материала устройства экологически чистым способом.
- Чтобы избежать повреждения компрессора, никогда не храните и не транспортируйте устройство в перевернутом состоянии или на боку.

ТРЕБОВАНИЯ ДЛЯ УСТАНОВКИ

Требования по электроснабжению

⚠ ОСТОРОЖНО



Опасность поражения электрическим током
Всегда подключайте устройство к заземленной трехконтактной розетке.
Не удаляйте контакт заземления.
Не используйте адаптер.
Не используйте удлинитель.
Несоблюдение данных инструкций может привести к смертельному пожару или электрическому удару.

Специальные электрические требования указаны в таблице ниже. Соблюдайте требования, указанные для типа разъема на шнуре питания.

Требования к источнику питания



- 220-240V ~ / 50Hz
- Предохранитель с временной задержкой или автоматический выключатель 15 А

Рекомендованный метод заземления

Данный осушитель воздуха должен быть заземлен. Данный осушитель воздуха оборудован кабелем питания с трехконтактной вилкой заземления. Шнур должен быть подключен к подходящей заземленной трехконтактной розетке, заземленной в соответствии со всеми местными нормами и правилами. Если подходящая розетка недоступна, то ответственность за правильное заземление трехконтактной розетки, установленной квалифицированным электриком, лежит на клиенте.

Пользователь имеет следующие обязанности:

- Связаться с квалифицированным электромонтажником.
- Чтобы убедиться, что электроустановка соответствует требованиям и соответствует Национальному электротехническому кодексу, ANSI / NFPA 70 последней редакции, а также всем местным нормам и правилам.

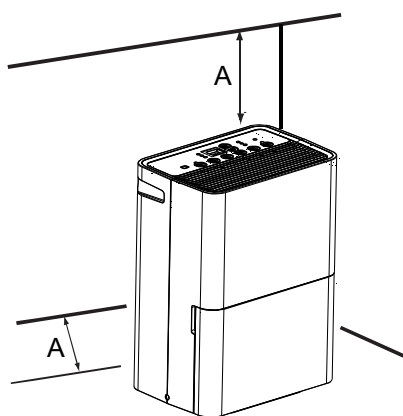
Требования к расположению

⚠ ОСТОРОЖНО

Чтобы снизить риск получения травм, сбой в работе или повреждения продукта или имущества при использовании данного устройства, соблюдайте основные меры предосторожности, включая следующие:

ПРИМЕЧАНИЕ:

- Ваша модель может отличаться от той, что изображена в руководстве.
- Данное устройство нельзя использовать или устанавливать в замкнутом пространстве (площадь площадки должна быть больше 5 м²).



A. от 30,5 см до 45,7 см

- Не размещайте устройство на открытом воздухе. Этот осушитель воздуха предназначен только для использования в жилых помещениях (его необходимо установить и использовать в просторном помещении с площадью пола более 5 м²). Продукт не рекомендован для коммерческого использования.
- Свободное пространство в 30,5–45,7 см необходимо оставить сзади и по бокам осушителя воздуха для моделей с входной решеткой сзади, и над осушителем для моделей, где входная решетка расположена сверху.
- Опорная поверхность для осушителя воздуха должна быть достаточно прочной. Не ставьте осушитель на ковер. Перед началом работы убедитесь, что осушитель надежно установлен во избежание протекания.
- Вам следует разместить осушитель воздуха на поверхности, уровень которой будет достаточным, чтобы гарантировать, что вода из заполненного водосборника не будет разливаться.
- Не загромождайте жалюзийные отверстия осушителя посторонними предметами.
- Никогда не используйте данный осушитель воздуха в месте, где существует вероятность накопления стоячей воды. Если такое состояние сохранится, для вашей собственной безопасности отключите шнур питания до того, как вступить в стоящую воду.
- Выключите осушитель воздуха, отсоедините шнур питания и опорожните резервуар для воды перед тем, как переместить устройство, во избежание утечки воды или поражения электрическим током.

ИСПОЛЬЗОВАНИЕ ОСУШИТЕЛЯ ВОЗДУХА

Настройка элементов управления

Контрольная панель



ПРИМЕЧАНИЕ:

- Заданное значение - относительная влажность: задайте меньшее значение для более сухого воздуха, и большее - для большей влажности.
- Панель управления на вашей модели может отличаться от показанной выше.

Запуск/выключение осушителя воздуха

⚠ ОСТОРОЖНО Осушитель воздуха должен находиться в стоячем положении хотя бы 2 часа перед началом использования.

⚠ ОСТОРОЖНО Не доставайте водосборник во время использования устройства, это может быть сопряжено с риском удара током. Если вы хотите переместить осушитель воздуха, сначала достаньте разъем питания.

ПРИМЕЧАНИЕ:

- Перед включением осушителя убедитесь, что водосборник пустой и полностью помещен в осушитель.
- Каждый раз, когда вы отключаете осушитель или происходит отключение питания, элементы управления возвращаются к предыдущим настройкам при возобновлении питания.
- Отображаемая влажность составляет от 30% относительной влажности до 90% относительной влажности.
- Влажность может быть установлена на уровень между 30% относительной влажности и 80% относительной влажности.
- Важно установить желаемый уровень влажности на реалистичный уровень. Чтобы обеспечить энергоэффективную работу, используйте осушитель только в закрытом помещении, без открытых окон или других источников влажного воздуха (чтобы избежать постоянной работы).
- Рабочая температура устройства составляет от 5°C до 32°C. Рабочая влажность составляет от 30% относительной влажности до 80% относительной влажности. При температуре 5°C или ниже вода внутри устройства замерзает. При температуре выше 32°C внутренняя температура устройства приводит к активации защитного устройства, которое отключает осушитель, чтобы избежать его повреждения.
- Компрессор имеет 3-минутную задержку перед повторным запуском. Если устройство выключить и повторно включить, то для защиты компрессора существует 3-минутная задержка перед повторным запуском компрессора.

- При работе осушителя температура в помещении будет повышаться. Осушитель воздуха не имеет функции охлаждения/нагрева. Тепло генерируется во время работы устройства, поэтому температура в помещении может повыситься на значение до 5°C, в зависимости от условий эксплуатации (температуры и размера помещения)

⚠ ОСТОРОЖНО



Опасность поражения электрическим током
Всегда подключайте устройство к заземленной трехконтактной розетке.
Не удаляйте контакт заземления.
Не используйте адаптер.
Не используйте удлинитель.
Несоблюдение этих инструкций может привести к смерти, пожару или поражению электрическим током.

1. Включите в заземлённую трёхштырьковую розетку.
2. Нажмите POWER, чтобы включить осушитель.
3. Нажмите кнопку FAN, чтобы выбрать скорость вентилятора.
4. Нажмите MODE, чтобы выбрать режим (Auto Dry/Continuous/Clothes Dry/Manual Set).
5. Нажмите кнопку плюс или минус, чтобы настроить уровень влажности в режиме ручной настройки.
6. Нажмите POWER, чтобы выключить осушитель.



ПРИМЕЧАНИЕ:

В случае отключения или прерывания подачи питания, после восстановления питания, осушитель перезапустится автоматически с последними использованными настройками.

Скорость вентилятора

1. Нажмите кнопку FAN, чтобы выбрать скорость вентилятора.
2. Выберите режим Low, High или Auto.



- Low- достигните желаемого уровня влажности с более низким уровнем шума.
- High- позволяет быстрее достичь желаемого уровня влажности.
- Auto - достигает заданного уровня влажности с нормальной скоростью.

ПРИМЕЧАНИЕ:

Как только относительная влажность в помещении достигнет желаемого значения, компрессор остановится, а вентилятор будет периодически отключаться.

Вентилятор может периодически включаться для считывания уровня влажности без запуска компрессора.

Режим желаемой влажности

1. Нажмите MODE, чтобы выбрать желаемую влажность.

- Режим автоматической сушки: горит индикатор автоматической сушки.
- Режим непрерывной сушки: горит индикатор непрерывной сушки.
- Режим сушки белья: горит индикатор сушки белья.
- Режим ручной настройки: Индикатор автоматической сушки, индикатор непрерывной сушки и индикатор сушки белья отключены.



2. Выберите Auto Dry, Continuous, Clothes Dry or Manual Set.

- Auto Dry: Осушитель работает только в режиме осушения. Скорость вентилятора задаётся автоматически. Желаемая влажность автоматически задаётся на уровне 50%.
- Continuous: Осушитель будет работать непрерывно. Скорость вентилятора можно регулировать. Желаемая влажность не регулируется.
- Clothes Dry: Осушитель работает в режиме сильного осушения и автоматически сушит одежду в соответствии с фактической влажностью в помещении. По окончании сушки, произойдёт автоматический выход из режима сушки, и начнёт мигать индикатор режима Белье. Если вы ещё раз нажмёте кнопку режима, вы снова войдёте в режим сушки, индикатор режима перестанет мигать и загорится. Желаемая влажность не регулируется.
- Manual Set: Осушитель будет работать с выбранной скоростью вентилятора до заданного уровня влажности. Компрессор включится, если уровень влажности в помещении выше желаемого. Компрессор и вентилятор выключатся, если уровень влажности в помещении ниже желаемого.

ПРИМЕЧАНИЕ:

Функция защиты от обледенения отключает компрессор при низкой температуре. Компрессор снова включится, когда датчик защиты от обледенения определит правильную рабочую температуру. Некоторое заморозание является нормальным, если осушители используются при низких температурах.

Индикатор пустой ёмкости

Вентилятор и компрессор остановятся при включении этого индикатора. Этот индикатор указывает на то, что вам необходимо проверить:

- Если ёмкость заполнена, опустошите и переустановите.
- Если ёмкость не на месте, выньте и переустановите. Убедитесь, что ёмкость полностью вставлена в осушитель и индикатор ёмкости не горит, иначе осушитель не будет работать.

Питание

Нажмите POWER, чтобы включить или выключить осушитель.



Уровень влажности

1. Нажмите кнопку Плюс или Минус, чтобы задать желаемый уровень влажности. Желаемая влажность на цифровом дисплее будет мигать в течение 5 секунд после включения.



2. Фактическая влажность в помещении будет отображаться через 5 секунд после мигания желаемой влажности.

ПРИМЕЧАНИЕ:

Вручную влажность можно регулировать только в режиме Ручной настройки. В режимах Непрерывной сушки и Автоматической сушки уровень влажности задаётся автоматически.

Цифровой дисплей

Дисплей показывает относительную влажность или время (в зависимости от настройки).

1. Когда осушитель работает в режиме Ручной настройки, на дисплее отображается относительная влажность в помещении.
2. После выбора таймера на дисплее отображается время, в которое осушитель включится или выключится, в зависимости от настройки.



ПРИМЕЧАНИЕ:

Отображаемая влажность только для справки. Пожалуйста, сверьтесь с гигрометром для получения точной информации о влажности.

Таймер

Чтобы установить Таймер на задержку перед выключением осушителя от 30 минут до 24 часов (осушитель должен быть включен):

1. Нажмите кнопку TIMER. Загорится индикатор таймера, и дисплей начнёт мигать. На дисплее отобразится время, оставшееся до выключения осушителя.



2. Нажмите кнопку Плюс или Минус, чтобы изменить время задержки, от 30 минут до 24 часов.

Установить Таймер для включения осушителя с предыдущей настройкой:

1. Выключите осушитель.
2. Нажмите кнопку TIMER. Загорится индикатор таймера.
На дисплее отобразится оставшееся время до включения осушителя.
3. Нажмите кнопку Плюс или Минус, чтобы изменить время задержки, от 30 минут до 24 часов.

Чтобы очистить программу задержки таймера:

ПРИМЕЧАНИЕ: Осушитель может быть как включен, так и выключен.

1. Нажмите кнопку TIMER один раз после того, как она будет запрограммирована. Дисплей покажет оставшееся время.
2. Пока на дисплее отображается оставшееся время, снова нажмите TIMER. Индикатор таймера погаснет.

Чтобы увидеть оставшееся время.

Нажмите кнопку TIMER один раз после того, как она будет запрограммирована.

Дисплей покажет оставшееся время.

ПРИМЕЧАНИЕ:

Опустошите ведро для сливной воды перед установкой функции Таймера. Если ведро для воды заполнится во время работы таймера, загорится индикатор пустого ведра и осушение прекращается.

Очистка фильтра

1. Когда загорится индикатор очистки фильтра, снимите, очистите и замените воздушный фильтр. См. раздел «Чистка воздушного фильтра».
2. Нажмите кнопку Очистить фильтр, чтобы сбросить датчик фильтра.



ПРИМЕЧАНИЕ:

Если индикатор светится, он будет светиться в течение 180 часов или до тех пор, пока вы не нажмете кнопку Очистить фильтр.

Слив поглощенной влаги осушителя

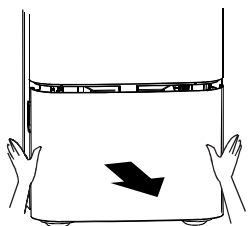
⚠ ОСТОРОЖНО

Риск заболевания
Не пейте воду из водосборника.
Это может привести к заболеванию.

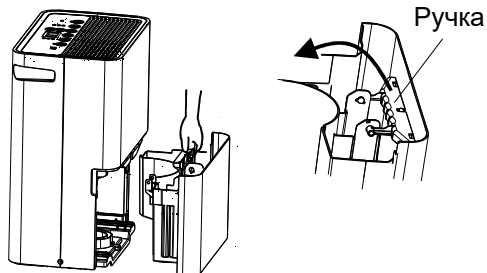
Вариант 1. Осушение водосборника

Если дренаж через нижнее отверстие не доступен или вы не собираетесь использовать ваш осушитель в непрерывном режиме, вам может понадобиться осушить водосборник.

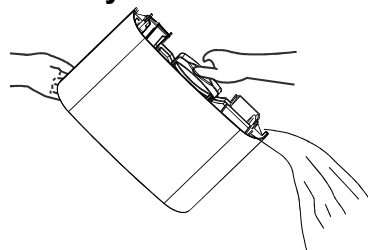
1. Возьмите водосборник по бокам и вытащите его.



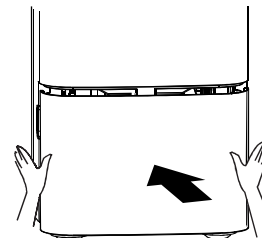
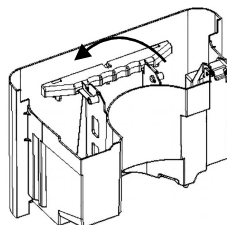
2. Поднимите ёмкость за ручку.



3. Слейте воду в раковину или ванную.



4. Сложите ручку и переустановите ёмкость.



ВАЖНО:

Если загорится индикатор Пустой водосборник, осушитель не будет работать. Вам может понадобиться опустошить или заново установить водосборник.

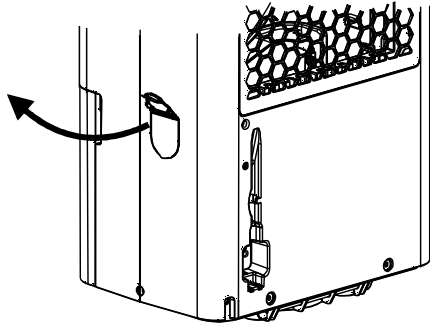
ПРИМЕЧАНИЕ:

- Если водосборник снимается сразу после выключения осушителя, то вода, остающаяся в теплообменнике, может капать в зону хранения водосборника. Удалите воду с помощью мягкой тряпки.
- Во время чистки не трогайте поплавков уровня воды.
- Прочищайте водосборник раз в неделю.
- Если температура среды низкая, в воздухе остается меньше влаги для удаления с помощью устройства.
- Отключите устройство от сети перед снятием водосборника. Если водосборник снимается во время работы устройства, компрессор будет установлен.

Вариант 2. Дренаж с помощью гравитации

Если вы планируете использовать осушитель непрерывно, вы можете выбрать вариант прямого слива, прикрепив к устройству садовый шланг.

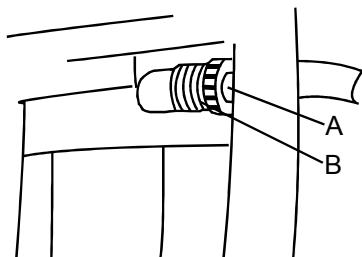
1. Выключите осушитель и отключите кабель питания.
2. Откройте крышку разъема на боковой стороне устройства.



3. Выньте ёмкость.
4. Подсоедините садовый шланг к разъёму сливного шланга внутри осушителя. Надёжно подсоедините шланг, чтобы убедиться в отсутствии утечки воды.

ПРИМЕЧАНИЕ:

- Садовый шланг продаётся отдельно.
- Внутренний диаметр сливного шланга должен превышать 12,7мм.
- Соединитель предназначен только для североамериканских садовых шлангов.



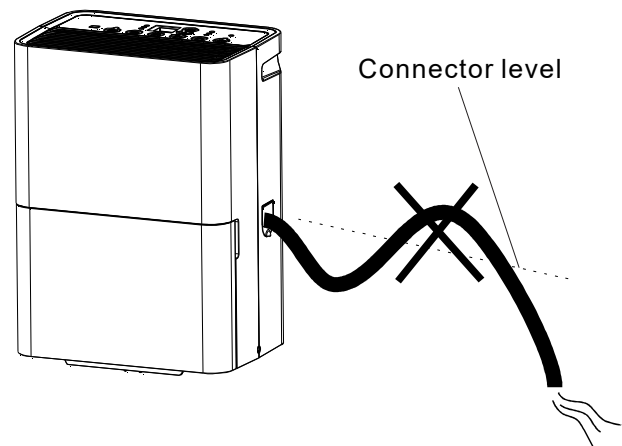
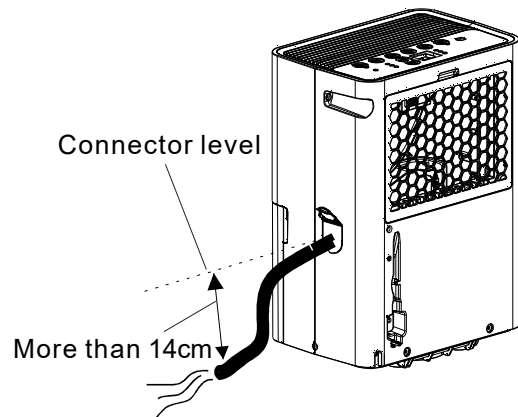
A. Садовый шланг
B. Соединитель сливного шланга

ВАЖНЫЙ:

В Северной Америке соединители для садовых шлангов имеют прямую (неконическую) резьбу диаметром 3/4 с шагом витков 4,52 на см (внешний диаметр разъёма типа «папа» 26,99мм).

⚠ ОСТОРОЖНО Будьте осторожны, чтобы не повредить руки при подсоединении шланга.

5. Вставьте другой конец садового шланга в сливное отверстие в полу. Убедитесь, что шланг лежит ровно и установлен в слив. Убедитесь, что все части шланга находятся ниже сливного разъема для шланга на осушителе. Выходное отверстие шланга должно быть как минимум на 14 см ниже разъема шланга. Шланг не должен быть перекручен или пережат.



6. Переустановите ёмкость.

ПРИМЕЧАНИЕ:

- Для того, чтобы использовать резервуар для воды без садового шланга, просто снимите шланг и закройте резиновую заглушку.
- Водосборник должен быть установлен и надлежащим образом совмещен с осушителем воздуха для обеспечения работы с или без садового шланга.

Нормальные звуки

При нормальной работе осушителя воздуха вы можете услышать следующие звуки:

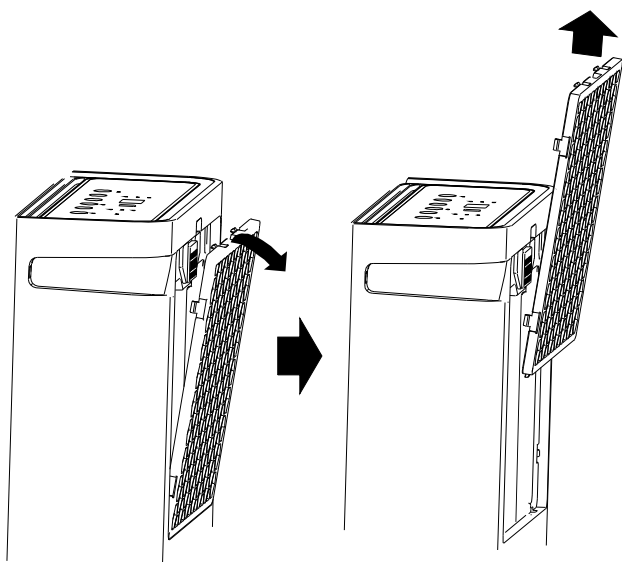
- Шум компрессора, который может быть довольно громким.
- Движение воздуха из вентилятора
- Щелчки при включении или выключении осушителя или компрессора, а также при работе переключателя автоматического отключения.

УХОД ЗА ОСУШИТЕЛЕМ

Ваш новый осушитель воздуха спроектирован таким образом, чтобы обеспечить многолетнюю службу. В данном разделе указаны инструкции для чистки и ухода за осушителем.

Чтобы избежать повреждения компрессора, никогда не храните и не транспортируйте устройство вверх ногами или на бок.

Чистка воздушного фильтра



Воздушный фильтр может быть снят для удобства чистки. Чистый фильтр помогает удалять пыль, пух и другие частицы из воздуха и важен для повышения эффективности работы. Проверяйте фильтр каждые две недели на необходимость чистки.

1. Выключите осушитель воздуха.
2. Снимите воздушный фильтр.
3. Используйте пылесос для очистки воздушного фильтра, если воздушный фильтр загрязнен, промойте его в теплой воде с мягким моющим средством.
4. Установите воздушный фильтр на место.
5. Включите осушитель воздуха.

ПРИМЕЧАНИЕ:

Не мойте воздушный фильтр в посудомоечной машине и не используйте химические чистящие средства. Перед установкой полностью высушите воздушный фильтр, чтобы обеспечить максимальную эффективность работы.

Чистка осушителя

Наружная часть

1. Выключите осушитель и отключите кабель питания.
2. Протрите поверхность устройства мягкой тряпкой или пылесборной насадкой вашего пылесоса.

Водосборник

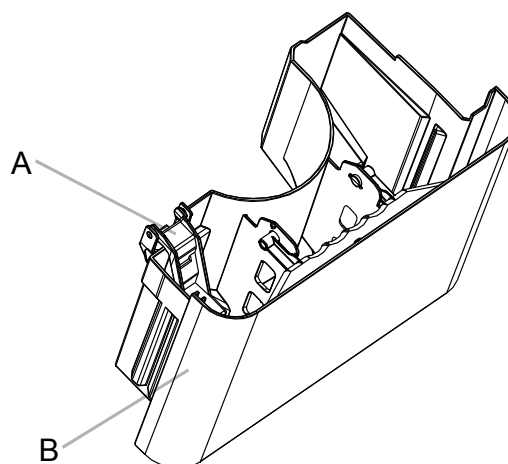
Каждые несколько недель промывайте внутреннюю часть водосборника мягким моющим средством, чтобы предотвратить появление плесени или бактерий.

Поплавок уровня воды

Водосборник осушителя оборудован поплавком уровня воды. Не повреждайте и не снимайте поплавок уровня воды. Если поплавок не находится на надлежащем месте, загорится индикатор Пустой водосборник, который не даст устройству работать и может привести к утечке.

ПРИМЕЧАНИЕ:

Убедитесь, что поплавок находится в надлежащем месте.



- A. Поплавок уровня воды
B. Водосборник

УСТРАНЕНИЕ НЕИСПРАВНОСТЕЙ

Перед тем, как обратиться в службу поддержки, попробуйте следовать рекомендациям ниже.

Осушитель не запускается

- Осушитель воздуха включен?
Включите осушитель воздуха.

⚠ ОСТОРОЖНО



Опасность поражения электрическим током
Подключите устройство к трехконтактной розетке.
Не удаляйте контакт заземления.
Не используйте адаптер.
Не используйте удлинитель.
Несоблюдение этих инструкций может привести к смерти, пожару или поражению электрическим током.

- Кабель питания вставлен в заземленную трехконтактную розетку?
Подключите устройство к трехконтактной розетке. См. «Электрические требования» на стр. 12.
- Перегорел ли бытовой предохранитель или сработал ли автоматический выключатель?
Замените предохранитель или перезагрузите автоматический выключатель.
Если проблема остается, обратитесь к электрику. См. «Электрические требования» на стр. 12.
- Водосборник установлен надлежащим образом?
Установите водосборник обратно на место таким образом, чтобы он был полностью вставлен в осушитель.

- Нужно ли опустошить водосборник? Опустошите водосборник.
- Поплавок уровня воды на месте?
Снимите водосборник. Убедитесь, что поплавок на месте. Установите водосборник на место.
- Осушитель внезапно перестал работать и не включается?
Убедитесь, что питание включено, а водосборник на месте. Если устройство по-прежнему не работает, свяжитесь с службой Hisense для проведения гарантийного обслуживания.

Осушитель работает, но не поглощает влагу.

- Все модели имеют функцию автоматической защиты от обледенения, которая выключает компрессор. Когда сенсор защиты от обледенения обнаружит, что температура вернулась в оптимальную зону, компрессор будет снова включен.
- Фильтр загрязнен или забит мусором.
Очистите фильтр.

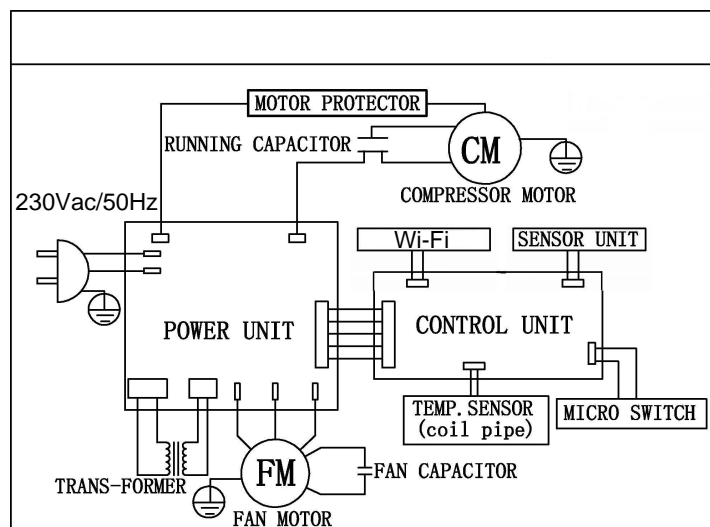
Воздух, поступающий из осушителя теплый.

- Осушитель будет выпускать теплый воздух в нормальных условиях эксплуатации.

На дисплее осушителя воздуха отображается код ошибки

- Если на дисплее осушителя воздуха отображается код ошибки, свяжитесь со службой поддержки Hisense

ПРИНЦИПИАЛЬНАЯ ЭЛЕКТРИЧЕСКАЯ СХЕМА



Hisense

Luftentfeuchter Gebrauchs- und Pflegeanleitung

DEUTSCH

Vielen Dank, dass Sie sich für diesen Luftentfeuchter entschieden haben. Bitte lesen Sie diese Gebrauchs- und Pflegeanleitung sorgfältig durch, bevor Sie dieses Gerät benutzen und bewahren Sie diese Anleitung zum späteren Gebrauch auf.

INHALTSVERZEICHNIS

PRODUKTÜBERSICHT	1
SICHERHEITSVORKEHRUNGEN	2
SICHERHEIT DES LUFTENTFEUCHTERS.....	9
INSTALLATIONSANFORDERUNG	12
Elektrische Anforderungen	12
Standortanforderungen	12
VERWENDUNG DES LUFTENTFEUCHTERS	13
Einstellen der Bedienelemente	13
Entleeren des Luftentfeuchters	15
Normale Töne	16
PFLEGE DES LUFTENTFEUCHTERS.....	17
Reinigen des Luftfilters	17
Reinigung des Luftentfeuchters	17
FEHLERBEHEBUNG	18

SICHERHEITSHINWEISE

Dieses Gerät kann von Kindern von 8 Jahren und älter sowie Personen mit eingeschränkten körperlichen, sensorischen bzw. geistigen Fähigkeiten oder mangelnder Erfahrung und Wissen verwendet werden, wenn sie eine Beaufsichtigung bzw. Anweisung für die Nutzung der Maschine auf sichere Weise erfahren und die Risiken gekannt haben. Die Kinder dürfen nicht mit dem Gerät spielen. Die Reinigung und Wartung dürfen nicht von Kindern ohne Aufsicht durchgeführt werden.

Die Kinder sollten beaufsichtigt werden, um sicherzustellen, dass sie nicht mit dem Gerät spielen. Wenn das Netzkabel beschädigt ist, muss es durch den Hersteller, seinen Kundendienst oder ähnlich qualifizierte Personen ersetzt werden, um eine Gefährdung zu vermeiden. Das Gerät muss gemäß den nationalen Verdrahtungsvorschriften installiert werden. Der Bereich der externen statischen Drücke beträgt -0,2Pa bis 0,2Pa. Halten Sie das Gerät 5 m oder mehr von brennbaren Oberflächen entfernt.

Betreiben Sie Ihre Klimaanlage nicht in einem nassen Raum wie einem Badezimmer oder einer Waschküche.

SCHUTZ DER UMWELT

Dieses Gerät besteht aus wiederverwertbaren oder recyclebaren Materialien. Die Entsorgung muss nach den örtlichen Entsorgungsvorschriften durchgeführt werden. Vor der Entsorgung stellen Sie sicher, dass das Netzkabel abgeschnitten ist, damit das Gerät nicht wieder verwendet werden kann.

Für weitere detaillierte Informationen über die Handhabung und Wiederverwertung dieses Produkts wenden Sie sich bitte an Ihre örtlichen Behörden, die für die getrennte Sammlung von Müll sorgen, oder das Geschäft, in dem Sie das Gerät gekauft haben.

ENTSORGEN DES GERÄTES

Dieses Gerät ist gemäß der EU-Richtlinie 2012/19/EU über Elektro- und Elektronik-Altgeräte (WEEE) gekennzeichnet.

Diese Markierung zeigt an, dass dieses Produkt in der EU nicht zusammen mit anderen Hausabfällen entsorgt werden sollte. Um mögliche Umwelt- und Gesundheitsschäden aus unkontrollierter Abfallentsorgung zu vermeiden, recyceln Sie es verantwortungsbewusst, um die nachhaltige Wiederverwendung von Rohstoffen zu fördern.





Verwenden Sie bitte die entsprechenden Rückgabe- und Sammelsysteme zur Rückgabe Ihres gebrauchten Gerätes oder wenden Sie sich an den Händler, bei dem Sie das Produkt gekauft haben. Sie können dieses Produkt auf umweltfreundliche Weise recyceln.



VORSICHT

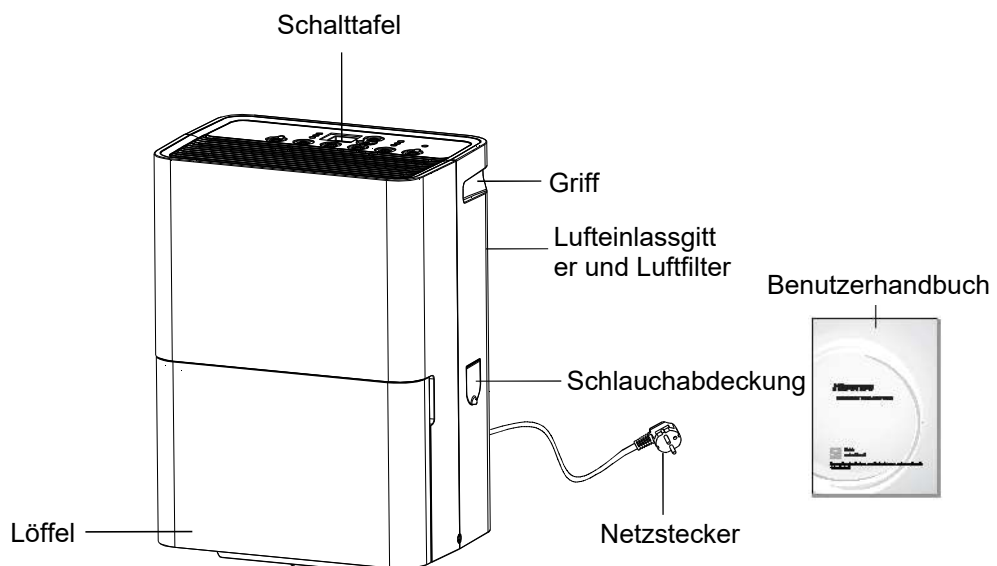
- Verwenden Sie keine Mittel, um den Abtauvorgang zu beschleunigen oder zu reinigen, außer den vom Hersteller empfohlenen.
- Das Gerät muss in einem Raum aufbewahrt werden, ohne kontinuierlich Zündquellen (z. B. : offene Flammen, ein Betriebsgasgerät oder eine Elektroheizung) zu betreiben.
- Nicht durchstechen oder verbrennen.
- Seien Sie sich bewusst, dass die Kältemittel keinen Geruch enthalten können.
- Das Gerät muss in einem Raum mit einer Grundfläche von mehr als 5 m² installiert, betrieben und gelagert werden.
- Räume, in denen die Kältemittelleitungen den nationalen Gasvorschriften entsprechen müssen.
- Die Wartung darf nur gemäß den Empfehlungen des Herstellers erfolgen.
- Das Gerät muss in einem gut belüfteten Bereich aufbewahrt werden, in dem die Raumgröße dem für den Betrieb angegebenen Raum entspricht.
- Alle Arbeitsvorgänge, die Sicherheitsmaßnahmen betreffen, dürfen nur von qualifizierten Personen durchgeführt werden.
- Das Gerät muss in einem Raum aufbewahrt werden, ohne kontinuierlich offene Flammen (z. B. Betriebsgasgerät) und Zündquellen (z. B. eine elektrische Heizheizung) zu betreiben.
- Das Gerät muss so beschaffen sein, dass keine mechanischen Schäden auftreten.
- Jede Person, die an der Arbeit an einem Kältemittelkreislauf beteiligt ist oder in einen Kältemittelkreislauf eintritt, sollte ein gültiges Zertifikat von einer industrie-akkreditierten Beurteilungsbehörde besitzen, die ihre Kompetenz zur sicheren Handhabung von Kältemitteln in Übereinstimmung mit einer von der Industrie anerkannten Beurteilungsspezifikation autorisiert.
- Die Instandhaltung darf nur wie vom Gerätehersteller empfohlen durchgeführt werden. Wartung und Reparatur, die die Unterstützung von anderen Fachkräften erfordern, sind unter der Aufsicht der bei der Verwendung von brennbaren Kältemitteln zuständigen Person durchzuführen.

Erläuterung der auf dem Gerät angezeigten Symbole:

 Vorsicht, Brandgefahr	WARNUNG	Dieses Symbol zeigt an, dass dieses Gerät ein brennbares Kältemittel verwendet. Wenn das Kältemittel ausgelaufen ist und einer externen Zündquelle ausgesetzt ist, besteht ein Brandgefahr.
	VORSICHT	Dieses Symbol zeigt an, dass die Bedienungsanleitung sorgfältig gelesen werden muss.
	VORSICHT	Dieses Symbol zeigt an, dass ein Servicepersonal dieses Gerät mit Bezug auf das Installationshandbuch bedienen sollte.
	VORSICHT	Dieses Symbol zeigt an, dass die Informationen wie die Bedienungsanleitung oder das Installationshandbuch zur Verfügung stehen.

Sicherungsparameter der Maschine: (T2,5A, 250V).

PRODUKTÜBERSICHT



HINWEIS:

Die Abbildungen in diesem Handbuch sind basierend auf der Außenansicht eines Standardmodells. Diese können von dem von Ihnen gewählten Luftentfeuchter abweichen.

SICHERHEITSVORKEHRUNGEN

Vorsichtsmaßnahmen für die Verwendung von R290 Kältemittel

Die grundlegenden Arbeitsschritte für die Installation entsprechen denen des konventionellen Kältemittels (R22 oder R410A). Beachten Sie jedoch die folgenden Punkte:

VORSICHT

1. **Transport von Geräten, die brennbare Kältemittel enthalten**

Einhaltung der Transportvorschriften

2. **Kennzeichnung von Geräten mit Zeichen**

Einhaltung der örtlichen Vorschriften

3. **Entsorgung von Geräten mit brennbaren Kältemitteln**

Einhaltung nationaler Vorschriften

4. **Lagerung von Geräten / Geräten**

Die Lagerung von Geräten sollte den Anweisungen des Herstellers entsprechen.

5. **Lagerung von verpackten (unverkauften) Geräten**

- Der Schutz der Lagerverpackung sollte so konstruiert sein, dass eine mechanische Beschädigung der Ausrüstung innerhalb der Verpackung nicht zu einem Verlust der Kältemittelfüllung führt.
- Die maximale Anzahl von Ausrüstungsgegenständen, die zusammen gelagert werden dürfen, richtet sich nach den örtlichen Vorschriften.

6. **Informationen zur Wartung**

6-1 **Überprüfung auf den Bereich**

Vor Beginn von Arbeiten an Systemen, die brennbare Kältemittel enthalten, sind die Sicherheitsprüfungen erforderlich, um sicherzustellen, dass das Risiko einer Entzündung minimiert wird. Für die Reparatur am Kühlsystem sind vor der Durchführung der Arbeiten am System die folgenden Vorsichtsmaßnahmen zu beachten.

6-2 **Arbeitsablauf**

Die Arbeiten müssen unter kontrollierten Bedingungen durchgeführt werden, um das Risiko zu minimieren, dass brennbare Gase oder Dämpfe während der Arbeiten vorhanden sind.

6-3 **Allgemeiner Arbeitsbereich**

- Alle Wartungspersonal und andere, die im örtlichen Bereich arbeiten, sind über die Art der durchgeführten Arbeiten zu unterrichten. Die Arbeiten in engen Räumen sind zu vermeiden.
- Der Bereich um den Arbeitsbereich wird abgetrennt. Stellen Sie sicher, dass die Bedingungen innerhalb des Bereichs durch die Kontrolle von brennbarem Material sichergestellt wurden.

6-4 **Prüfung auf Vorhandensein von Kältemittel**

- Der Bereich muss vor und während der Arbeit mit einem geeigneten Kältemitteldetektor überprüft werden, um sicherzustellen, dass der Techniker potenziell brennbare Atmosphären beachtet.
- Stellen Sie sicher, dass die verwendete Leckerkennungsanlage für den Einsatz mit brennbaren Kältemitteln geeignet ist, d.h. funkenfrei, ausreichend abgedichtet oder eigensicher.

VORSICHT

6-5 Vorhandensein eines Feuerlöschers

- Wenn Heißarbeiten an der Kühlanlage oder an den zugehörigen Teilen durchgeführt werden sollen, müssen entsprechende Feuerlöschgeräte vorhanden sein.
- Es gibt einen Löschpulver- oder CO₂-Feuerlöscher neben dem Ladebereich.

6-6 Keine Zündquellen

- Kein Mensch, der die Arbeiten in Bezug auf ein Kältesystem durchführt, die die Durchführung von Rohrleitungen beinhaltet, die brennbares Kältemittel enthalten oder enthalten haben, darf die Zündquellen so verwenden, dass es zu einem Brand- oder Explosionsrisiko führen kann.
- Alle möglichen Zündquellen, einschließlich Zigarettenrauchen, sollten ausreichend weit entfernt vom Ort der Installation, Reparatur, Beseitigung und Entsorgung aufbewahrt werden, während brennbares Kältemittel eventuell in den umgebenden Raum freigegeben werden kann.
- Vor der Arbeit ist der Bereich um die Ausrüstung zu beurteilen, um sicherzustellen, dass es keine brennbaren Gefahren oder Zündrisiken gibt. Das Zeichen "No Smoking" wird angezeigt.

6-7 Belüfteter Bereich

- Stellen Sie sicher, dass der Bereich im Freien ist oder ausreichend belüftet ist, bevor Sie in das System gelangen oder eine heiße Arbeit ausführen.
- Während der Durchführung der Arbeit wird die Belüftung fortgesetzt.
- Die Belüftung sollte jedes freigesetzte Kältemittel sicher zerstreuen und es vorzugsweise nach außen in die Atmosphäre ausstoßen.

6-8 Überprüfung auf das Kühlgerät

- Wenn elektrische Komponenten geändert werden, müssen sie für den Zweck und die korrekte Spezifikation geeignet sein.
- Zu jeder Zeit müssen die Wartungs- und Service-Richtlinien des Herstellers befolgt werden. Im Zweifelsfall wenden Sie sich an die technische Abteilung des Herstellers.
- Die folgenden Prüfungen müssen bei Anlagen mit brennbaren Kältemitteln durchgeführt werden:
 - Die Füllmenge entspricht der Raumgröße, in der die kältemittelhaltigen Teile installiert sind;
 - Die Lüftungsmaschinen und -auslässe funktionieren ordnungsgemäß und sind nicht behindert;
 - Wenn ein indirekter Kühlkreislauf verwendet wird, muss der Sekundärkreislauf auf das Vorhandensein von Kältemittel überprüft werden;
 - Die Markierung am Gerät ist immer sichtbar und lesbar. Unlesbare Markierungen und Zeichen sind zu korrigieren;
 - Die Kühlrohre oder -komponenten werden so installiert, dass sie möglichst keiner Substanz ausgesetzt sind, die kältemittelhaltige Komponenten korrodieren kann, es sei denn, die Komponenten bestehen aus Materialien, die inhärent korrosionsbeständig sind oder in geeigneter Weise gegen Korrosion geschützt sind.

VORSICHT

6-9 Überprüfung auf elektrische Geräte

- Reparatur und Wartung von elektrischen Komponenten müssen die Erstkontroll- und Bauteilprüfverfahren beinhalten.
- Wenn ein Fehler vorliegt, der die Sicherheit beeinträchtigen könnte, darf keine Stromversorgung an den Stromkreis angeschlossen werden, bis der Fehler zufriedenstellend behoben ist.
- Wenn der Fehler nicht sofort behoben werden kann, aber der Betrieb fortgesetzt werden muss, muss eine angemessene vorübergehende Lösung verwendet werden.
- Dies muss dem Besitzer des Geräts gemeldet werden, so dass alle Parteien darauf hingewiesen werden.
- Die ersten Sicherheitsprüfungen müssen Folgendes umfassen:
 - Die Kondensatoren sind entladen: Dies muss auf eine sichere Art und Weise geschehen, um Funkenbildung zu vermeiden;
 - Während des Ladens, Wiederherstellens oder Spülens des Systems sind keine spannungsführenden elektrischen Komponenten und Leitungen freigelegt;
 - Es gibt eine Kontinuität der Erdverbindung.

7. Reparaturen an versiegelten Komponenten

- Bei Reparaturen an versiegelten Bauteilen müssen vor dem Entfernen von versiegelten Abdeckungen usw. alle elektrischen Betriebsmittel von den zu bearbeitenden Geräten getrennt werden.
- Wenn eine elektrische Versorgung der Geräte während der Wartung unbedingt erforderlich ist, muss sich eine dauerhaft funktionierende Leckerkennung am kritischsten Punkt befinden, um vor einer potenziell gefährlichen Situation zu warnen.
- Es Besondere Aufmerksamkeit sollte dabei auf folgende Komponenten gelegt werden, um sicherzustellen, dass das Gehäuse bei Arbeiten an elektrischen Bauteilen nicht so verändert wird, dass das Schutzniveau beeinträchtigt wird.
- Hierbei handelt es sich um Schäden an Kabeln, übermäßige Anzahl von Anschlüssen, Klemmen, die nicht der Originalspezifikation entsprechen, Beschädigung der Dichtungen, fehlerhafte Montage von Verschraubung usw.
- Stellen Sie sicher, dass das Gerät sicher montiert ist.
- Stellen Sie sicher, dass die Dichtungen oder Dichtungsmaterialien nicht abgebaut wurden, so dass sie nicht mehr dem Zweck dienen, das Eindringen brennbarer Atmosphären zu verhindern.
- Die Ersatzteile müssen den Herstellerangaben entsprechen.

HINWEIS:

Die Verwendung von Silikondichtstoffen kann die Wirksamkeit einiger Arten von Lecksuchgeräten verhindern. Eigensichere Bauteile müssen vor der Arbeit nicht isoliert werden.

8. Reparatur an eigensicheren Komponenten

- Setzen Sie keine dauerhaften induktiven oder kapazitiven Lasten auf den Stromkreis ein, ohne sicherzustellen, dass dies nicht die zulässige Spannung und den Strom überschreitet, die für das verwendete Gerät zulässig sind.
- Eigensichere Bauteile sind die einzigen Typen, die in der Gegenwart einer brennbaren Atmosphäre bearbeitet werden können. Das Prüfgerät muss bei der richtigen Bewertung sein.

VORSICHT

- Ersetzen Sie die Komponenten nur mit den vom Hersteller angegebenen Teilen.
- Andere Teile können dazu führen, dass das Kältemittel aus einem Leck in die Atmosphäre gelangt.

9. Verkabelung

- Vergewissern Sie sich, dass die Verkabelung keinem Verschleiß, Korrosion, übermäßigem Druck, Vibrationen, scharfen Kanten oder anderen umweltschädlichen Auswirkungen unterliegt.
- Bei der Prüfung sind auch die Auswirkungen von Alterung oder ständiger Vibration aus Quellen wie Kompressoren oder Ventilatoren zu berücksichtigen.

10. Erkennung von brennbarem Kältemitteln

- Unter keinen Umständen dürfen potentielle Zündquellen bei der Suche nach Kältemittellecks oder bei der Erkennung von Kältemittellecks verwendet werden.
- Ein Halogenbrenner (oder ein anderer Detektor mit offener Flamme) darf nicht verwendet werden.

11. Lecksuchverfahren

- Für Systeme mit brennbaren Kältemitteln gelten folgende Lecksuchverfahren als zulässig:
 - Elektronische Lecksuchgeräte sollen zur Erkennung von brennbaren Kältemitteln verwendet werden, die Empfindlichkeit ist jedoch unter Umständen nicht ausreichend oder muss möglicherweise neu kalibriert werden. (Die Erkennungseinrichtung muss in einem kältemittelfreien Bereich kalibriert sein.)
 - Stellen Sie sicher, dass der Detektor keine potentielle Zündquelle darstellt und für das verwendete Kältemittel geeignet ist.
 - Die Leckerkennungsgeräte müssen auf einen prozentualen Anteil der LFL des Kältemittels eingestellt sein und auf das verwendete Kältemittel kalibriert sein, und der entsprechende Prozentsatz des Gases (maximal 25%) wird bestätigt.
 - Die Leckerkennungsflüssigkeiten sind für den meisten Kältemitteln geeignet, aber die Verwendung von chlorhaltigen Waschmitteln ist zu vermeiden, da das Chlor mit dem Kältemittel reagieren und das Kupferrohr korrodieren kann.
 - Wenn ein Leck vermutet wird, müssen alle offenen Flammen entfernt / ausgelöscht werden.
 - Wenn ein Austreten von Kältemittel gefunden wird, das ein Hartlöten erfordert, muss das gesamte Kältemittel aus dem System zurückgewonnen oder in einem Teil des Systems, das vom Leck entfernt ist, isoliert werden (mittels Absperrventilen).
 - Sauerstofffreier Stickstoff (OFN) muss dann vor und während des Lötprozesses durch das System gespült werden.

12. Entfernung und Evakuierung

- Beim Eingehen in den Kältemittelkreislauf für Reparaturen - oder für andere Zwecke - sind konventionelle Verfahren anzuwenden.
- Es ist jedoch wichtig, dass die besten Praktiken befolgt werden, da die Entflammbarkeit berücksichtigt wird.
- Das folgende Verfahren sind zu beachten:
 - Entfernen Sie das Kältemittel;
 - Spülen Sie den Kreislauf mit Inertgas;

VORSICHT

- Evakuieren;
- Spülen Sie erneut mit Inertgas;
- Öffnen Sie den Stromkreis durch Schneiden oder Löten.
- Die Kältemittelfüllung muss in die richtigen Rückgewinnungszylinder zurückgewonnen werden.
- Das System muss mit OFN (Sauerstofffreier Stickstoff) "gespült" werden, um das Gerät sicher zu machen.
- Dieser Vorgang muss möglicherweise mehrmals wiederholt werden.
- Druckluft oder Sauerstoff dürfen für diese Aufgabe nicht verwendet werden.
- Die Spülung muss erreicht werden, indem das Vakuum im System mit OFN unterbrochen wird und OFN weiter gefüllt wird, bis der Arbeitsdruck erreicht ist, dann in die Atmosphäre abgelassen und schließlich bis auf ein Vakuum heruntergezogen wird.
- Dieser Vorgang muss wiederholt werden, bis sich kein Kältemittel mehr im System befindet. Wenn die endgültige OFN-Füllung verwendet wird, muss das System auf den Atmosphärendruck entlüftet werden, um die Arbeit zu ermöglichen.
- Dieser Vorgang ist unbedingt erforderlich, wenn Lötarbeiten an der Rohrleitung durchgeführt werden sollen.
- Stellen Sie sicher, dass sich der Auslass der Vakuumpumpe nicht in der Nähe von Zündquellen befindet und eine Belüftung vorhanden ist.

13. Füllungsvorgänge

- Zusätzlich zu herkömmlichen Füllverfahren sind folgende Anforderungen zu beachten:
 - Stellen Sie sicher, dass bei Verwendung von Füllgeräten keine Kontamination verschiedener Kältemittel auftritt.
 - Die Schläuche oder Leitungen müssen so kurz wie möglich sein, um die in ihnen enthaltene Kältemittelmenge zu minimieren.
 - Die Zylinder müssen aufrecht stehen.
 - Stellen Sie sicher, dass das Kühlsystem geerdet ist, bevor Sie das System mit Kältemittel füllen.
 - Beschriften Sie das System, wenn die Füllung abgeschlossen ist (falls noch nicht geschehen).
 - Es ist darauf zu achten, dass die Kälteanlage nicht überfüllt wird.
- Vor der Wiederfüllung des Systems muss ein Drucktest mit OFN durchgeführt werden.
- Das System muss nach Abschluss der Füllung, aber vor der Inbetriebnahme, auf Dichtigkeit geprüft werden.
- Eine Nachlauf-Dichtheitsprüfung ist vor dem Verlassen der Baustelle durchzuführen.

14. Außerdienststellung

- Vor der Durchführung dieses Verfahrens ist es wichtig, dass der Techniker mit dem Gerät und dem ganzen Detail vertraut ist.
- Es wird empfohlen, alle Kältemittel sicher zurückzugewinnen.
- Vor der Durchführung der Aufgabe ist eine Öl- und Kältemittelprobe zu entnehmen, falls eine Analyse vor der Wiederverwendung von rückgewonnenem Kältemittel erforderlich ist. Es ist wichtig, dass die Stromversorgung vor Beginn der Aufgabe zur Verfügung steht.
- a) Machen Sie sich mit dem Gerät und seiner Bedienung vertraut.
- b) Isolieren Sie das System galvanisch.

VORSICHT

- c) Vor Ausführen des Verfahrens stellen Sie sicher dass:
 - Für die Handhabung von Kältemittelzylindern steht ggf. mechanische Handhabungsgeräte zur Verfügung;
 - Alle persönlichen Schutzausrüstungen sind verfügbar und richtig benutzt;
 - Der Rückgewinnungsprozess wird von einer kompetenten Person jederzeit überwacht;
 - Die Rückgewinnungsausrüstung und Zylinder entsprechen den entsprechenden Normen.
- d) Pumpen Sie das Kältemittelsystem ab, wenn möglich.
- e) Wenn ein Vakuum nicht möglich ist, stellen Sie einen Verteiler her, damit das Kältemittel aus verschiedenen Teilen des Systems entfernt werden kann.
- f) Vergewissern Sie sich, dass sich der Zylinder auf der Waage befindet, bevor die Rückgewinnung erfolgt.
- g) Starten Sie das Rückgewinnungsgerät und betreiben Sie es nach den Anweisungen des Herstellers.
- h) Überfüllen Sie die Zylinder nicht. (Nicht mehr als 80% Volumen Flüssigkeitsfüllung).
- l) Der maximalen Betriebsdruck des Zylinders soll nicht überschritten werden, auch nur vorübergehend.
- j) Wenn die Zylinder korrekt gefüllt sind und der Prozess abgeschlossen ist, vergewissern Sie sich, dass die Zylinder und die Ausrüstung sofort von der Baustelle entfernt wird und alle Absperrventile am Gerät geschlossen sind.
- k) Das rückgewonnene Kältemittel darf nicht in ein anderes Kühlsystem geladen werden, es sei denn, es wurde gereinigt und überprüft.

15. Beschriftung

- Die Ausrüstung muss mit der Beschriftung versehen sein, aus der hervorgeht, dass sie in Außerdienststellung und von Kältemittel entleert worden ist.
- Die Beschriftung ist zu datieren und zu unterzeichnen.
- Vergewissern Sie sich, dass die Beschriftung auf dem Gerät vorhanden ist, aus der hervorgeht, dass das Gerät brennbares Kältemittel enthält.

16. Rückgewinnung

- Bei der Beseitigung von Kältemittel aus einem System, entweder für Wartung oder Außerdienststellung, empfiehlt es sich, alle Kältemittel sicher zu entfernen.
- Bei der Übertragung von Kältemittel in die Zylinder ist darauf zu achten, dass nur geeignete Kältemittelrückgewinnungszylinder eingesetzt werden.
- Stellen Sie sicher, dass die korrekte Anzahl der Zylinder zum Halten der gesamten Systemfüllung zur Verfügung steht.
- Alle zu verwendenden Zylinder sind für das rückgewonnene Kältemittel bestimmt und für dieses Kältemittel gekennzeichnet (z. B. Spezialzylinder für die Rückgewinnung von Kältemittel).
- Die Zylinder müssen mit Druckbegrenzungsventil und zugehörigen Absperrventilen versehen und in einwandfreiem Zustand sein.
- Leere Rückgewinnungszylinder werden evakuiert und wenn möglich abgekühlt, bevor die Rückgewinnung erfolgt.
- Die Rückgewinnungsausrüstung muss in einem guten Zustand mit einer Reihe von Anweisungen bezüglich der vorhandenen Ausrüstung sein und für die Rückgewinnung von brennbaren Kältemitteln geeignet sein.

 **VORSICHT**

- Darüber hinaus muss ein Satz von kalibrierten Waagen zur Verfügung stehen und in einwandfreiem Zustand sein.
- Die Schläuche müssen mit leckfreien Trennkupplungen versehen und in gutem Zustand sein.
- Vor der Verwendung des Rückgewinnungsgerätes ist zu prüfen, ob es sich in einem zufriedenstellenden Zustand befindet, ordnungsgemäß gewartet wurde und alle zugehörigen elektrischen Komponenten versiegelt sind, um eine Zündung im Falle einer Kältemittelfreisetzung zu verhindern
- Wenden Sie sich im Zweifelsfall an den Hersteller.
- Das rückgewonnene Kältemittel muss dem Kältemittellieferanten im richtigen Rückgewinnungszylinder zugeführt werden, und die entsprechende Abfallübertragungsnotiz ist angeordnet.
- Mischen Sie das Kältemittel nicht in Rückgewinnungseinheiten , insbesondere nicht in Zylindern.
- Wenn Kompressoren oder Kompressoröle entfernt werden müssen, stellen Sie sicher, dass sie auf ein akzeptables Niveau evakuiert wurden, um sicherzustellen, dass brennbares Kältemittel nicht im Schmiermittel verbleibt.
- Der Evakuierungsvorgang ist vor der Rückgabe des Kompressors an die Lieferanten durchzuführen.
- Zur Beschleunigung dieses Verfahrens ist nur eine elektrische Heizung zum Kompressorkörper zu verwenden.
- Wenn Öl aus einem System abgelassen wird, muss es sicher ausgeführt werden.

SICHERHEIT DES LUFTENTFEUCHTERS

Ihre Sicherheit und die Sicherheit anderer sind sehr wichtig

In diesem Handbuch und auf Ihrem Gerät finden Sie viele wichtige Sicherheitshinweise.
Lesen und befolgen Sie alle Sicherheitshinweise.



Dies ist das Sicherheitssymbol.

Dieses Symbol weist Sie auf mögliche Gefahren hin, die Sie und andere töten oder verletzen können.

Alle Sicherheitsmeldungen folgen dem Sicherheitswarnsymbol mit dem Wort "GEFAHR" oder "WARNUNG".

Diese Wörter bedeuten:



GEFAHR

Eine Gefahr, die, wenn sie nicht vermieden wird, zum Tod oder zu schweren Verletzungen führt.



WARNUNG

Eine Gefahr, die, wenn sie nicht vermieden wird, zum Tod oder schweren Verletzungen führen kann.

Alle Sicherheitshinweise zeigen Ihnen die potenzielle Gefahr an, und sagen Ihnen, wie Sie das Verletzungsrisiko reduzieren können, und sagen Ihnen, was passieren kann, wenn die Anweisungen nicht befolgt werden.

WICHTIGE SICHERHEITSANWEISUNGEN



GEFAHR

Um die Gefahr von Explosionen, Bränden, Tod, Stromschlag, Verbrühungen oder Verletzungen für Personen bei der Verwendung dieses Geräts zu verringern, befolgen Sie die folgenden grundlegenden Vorsichtsmaßnahmen:

INSTALLATION

- Stecken Sie den Stecker in eine geerdete Steckdose mit 3 Stiften. Entfernen Sie den Erdungsanschluss nicht.
- Versuchen Sie niemals, dieses Gerät zu betreiben, wenn es beschädigt, fehlerhaft, teilweise zerlegt oder mit fehlenden oder beschädigten Teilen, einschließlich eines beschädigten Kabels oder Steckers, versehen ist.
- Verwenden Sie mit diesem Luftentfeuchter kein Netzteil oder Adapter mit mehreren Ausgängen.
- Verwenden Sie kein Verlängerungskabel.
- Trennen Sie den Luftentfeuchter vor der Wartung vom Stromnetz.
- Trinken Sie kein Wasser, das im Wassereimer gesammelt wird.
- Das Gerät ist nicht für den unkontrollierten Gebrauch durch kleine Kinder oder beeinträchtigte Personen bestimmt. Kleine Kinder sollten beaufsichtigt werden, um sicherzustellen, dass sie nicht mit dem Gerät spielen.
- Achten Sie bei der Installation oder Bewegung des Geräts darauf, dass das Netzkabel nicht eingeklemmt, gequetscht oder beschädigt wird.
- Bewahren Sie das Verpackungsmaterial außerhalb der Reichweite von Kindern auf. Verpackungsmaterial kann für Kinder gefährlich sein. Es besteht Erstickengefahr.
- Verwenden Sie das Gerät nicht in stehendem Wasser und bespritzen Sie es während des Gebrauchs nicht direkt mit Wasser.
- Lagern und installieren Sie das Gerät so, dass es weder Temperaturen unter dem Gefrierpunkt noch Witterungseinflüssen im Freien ausgesetzt ist.
- Wenden Sie sich an einen autorisierten Servicetechniker, um alle beschädigten Netzkabel zu reparieren oder sofort zu ersetzen. Verwenden Sie kein Kabel, das auf seiner gesamten Länge oder an beiden Enden Risse oder Abrieberscheinungen aufweist.

- Verwenden Sie das Produkt nicht, wenn der Auslass beschädigt oder lose ist.
- Im Falle eines Gaslecks Propangas LP-Gas, etc. betreiben Sie weder dieses noch ein anderes Gerät. Öffnen Sie ein Fenster oder eine Tür, um den Bereich sofort zu belüften.
- Zerlegen, reparieren oder modifizieren Sie das Produkt nicht.
- Lagern oder verwenden Sie keine brennbaren Gase oder Materialien in der Nähe des Luftentfeuchters.

BETRIEB

- Lesen Sie vor der Benutzung des Gerätes alle Anweisungen und bewahren Sie diese auf.
- Manipulieren Sie die Bedienelemente nicht.
- Stecken Sie den Netzstecker ganz in die Steckdose, damit er sich nicht löst.
- Greifen Sie nicht an das Netzkabel und berühren Sie die Bedienelemente des Geräts nicht mit nassen Händen.
- Das Netzkabel darf nicht verändert oder verlängert werden.
- Wenn das Produkt ein seltsames Geräusch macht oder einen Geruch oder Rauch abgibt, ziehen Sie den Netzstecker und wenden Sie sich an den Hisense-Kundendienst.
- Stellen Sie den Luftentfeuchter oder andere schwere Gegenstände nicht auf das Netzkabel.
- Verwenden Sie zur Reinigung des Luftentfeuchters kein Wasser.
- Halten Sie den Luftein- und -austritt frei von Hindernissen.
- Decken Sie das Netzkabel nicht mit einem Läufer oder Teppich ab. Wenn Sie schwere Gegenstände auf das Kabel legen, kann es beschädigt werden.
- Halten Sie das Produkt von Feuer und hoher Hitze fern.
- Verwenden Sie das Produkt nicht an Orten, an denen es mit Wasser bespritzt werden kann.
- Stecken Sie keine Finger, Stöcke usw. in den Luftein- oder -austritt. Der Ventilator läuft mit hohen Geschwindigkeiten und kann Verletzungen verursachen.
- Reparieren oder ersetzen Sie keine Geräteteile. Alle Reparaturen und Wartungen müssen von qualifiziertem Servicepersonal durchgeführt werden, vorausgesetzt, dass dies in dieser Betriebsanleitung ausdrücklich empfohlen wird. Verwenden Sie nur autorisierte Werkzeuge.
- Schließen Sie das Gerät an einen ordnungsgemäß bemessenen, geschützten und dimensionierten Stromkreis an, um eine elektrische Überlastung zu vermeiden.

ANLEITUNG AUFBEWAHREN

⚠️ WARNUNG

Um das Risiko von Verletzungen von Personen, Fehlfunktionen oder Schäden am Produkt oder an Eigentum bei der Verwendung dieses Geräts zu verringern, befolgen Sie die folgenden grundlegenden Sicherheitsvorkehrungen:

INSTALLATION

- Verwenden Sie dieses Gerät nur für den vorgesehenen Zweck.
Dieses Produkt ist nicht für die Konservierung von Präzisionsinstrumenten, Geschirr oder Kunstwerken bestimmt.
- Ziehen Sie niemals den Netzstecker des Gerätes durch Ziehen am Netzkabel. Greifen Sie den Stecker immer fest und ziehen Sie ihn gerade aus der Steckdose heraus.
- Verwenden Sie das Produkt nicht an Orten, an denen Chemikalien verwendet werden.
In der Luft gelöste Chemikalien und Lösungsmittel können zu Produktverformungen und Undichtigkeiten führen.
- Schalten Sie den Luftentfeuchter aus und ziehen Sie vor der Reinigung den Netzstecker.
Warten Sie, bis sich der Ventilator nicht mehr bewegt.
- Betreiben Sie den Luftentfeuchter nicht ohne Filter.
Die Verwendung des Produkts ohne Filter kann zu einer verkürzten Lebensdauer, einem elektrischen Schlag oder zu Verletzungen führen.

BETRIEB

- Verwenden Sie das Produkt nicht zur Konservierung von Tieren/Pflanzen, Präzisionsinstrumenten, Kunstwerken etc.
- Stellen Sie keine Gegenstände auf den Luftentfeuchter.
- Schalten Sie den Luftentfeuchter aus und leeren Sie den Wassereimer, bevor Sie den Luftentfeuchter bewegen.
- Ziehen Sie den Netzstecker, wenn Sie das Gerät über einen längeren Zeitraum nicht benutzen.
- Verwenden Sie das Produkt nicht auf engstem Raum, z.B. in einem Schrank.
Eine schlechte Belüftung kann zu einer Überhitzung führen.
- Verwenden Sie bei der Reinigung kein Wachs, Verdünner oder ein starkes Reinigungsmittel. Wischen Sie das Produkt mit einem weichen Tuch ab.
- Verwenden Sie das Produkt nicht bei direkter Sonneneinstrahlung oder Regen.
- Berühren Sie das Gerät nicht mit nassen Händen.
- Stellen Sie das Produkt auf eine feste, stabile Oberfläche.
- Entfernen Sie die Kabelbinder und verlängern Sie das Netzkabel vor Gebrauch.
- Sprühen Sie keine Fremdstoffe oder Wasser auf das Produkt.

ANLEITUNG AUFBEWAHREN

LAGERUNG UND ENTSORGUNG DER EINHEIT

- Entsorgen Sie dieses Gerät in Übereinstimmung mit den behördlichen und örtlichen Vorschriften.
- Kältemittel müssen vor der Entsorgung evakuiert werden.
- Bitte recyceln oder entsorgen Sie das Verpackungsmaterial des Produkts umweltgerecht.
- Um Schäden am Kompressor zu vermeiden, lagern oder versenden Sie das Gerät niemals kopfüber oder seitlich.

INSTALLATIONSANFORDERUNG

Elektrische Anforderungen

⚠️ WARNUNG



Stromschlaggefahr

Stecken Sie den Stecker immer in eine geerdete dreipolige Steckdose. Entfernen Sie den Erdungsanschluss nicht. Verwenden Sie keinen Adapter. Verwenden Sie kein Verlängerungskabel. Die Nichtbeachtung dieser Anweisungen kann zu Todesfeuer oder Stromschlägen führen.

Die spezifischen elektrischen Anforderungen sind in der folgenden Tabelle aufgeführt. Beachten Sie die Anforderungen an die Art des Steckers am Netzkabel.

Anforderungen an die Stromversorgung



- 220-240V ~ / 50Hz
- 15A zeitverzögerte Sicherung oder Leistungsschalter

Empfohlene Erdungsmethode

Dieser Luftentfeuchter muss geerdet werden. Dieser Luftentfeuchter ist mit einem Netzkabel mit einem dreipoligen Erdungsstecker ausgestattet. Das Kabel muss an eine geerdete, dreipolige Steckdose angeschlossen werden, die gemäß den örtlichen Vorschriften und Verordnungen geerdet ist. Wenn keine Gegensteckdose vorhanden ist, liegt es in der Verantwortung des Kunden, eine ordnungsgemäß geerdete Dreipunktsteckdose von einem qualifizierten Elektriker installieren zu lassen.

Es liegt in der Verantwortung des Kunden:

- Sich an einen qualifizierten Elektroinstallateur zu wenden.
- Um sicherzustellen, dass die elektrische Installation angemessen ist und dem Nationalen Elektrischen Code, ANSI/NFPA 70 letzte Auflage und allen lokalen Vorschriften und Verordnungen entspricht.

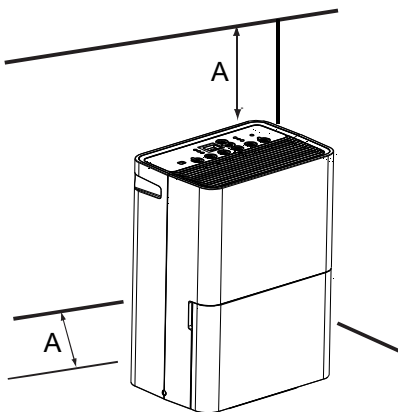
Standortanforderungen

⚠️ WARNUNG

Um das Risiko von Verletzungen von Personen, Fehlfunktionen oder Schäden am Produkt oder an Eigentum bei der Verwendung dieses Geräts zu verringern, befolgen Sie die folgenden grundlegenden Sicherheitsvorkehrungen:

HINWEIS:

- Ihr Modell kann von dem abgebildeten abweichen.
- Dieses Produkt darf nicht in einem beengten Raum (Verwendung nur in Räumen mit $> 5 \text{ m}^2$ Bodenfläche gestattet) verwendet oder aufbewahrt werden.
- Nicht im Freien aufstellen/verwenden. Dieser Luftentfeuchter ist nur für die Verwendung in Innenräumen vorgesehen (Verwendbarkeit, d. h. Installation, Betrieb und Aufbewahrung in einem offenen Raum mit einer Bodenfläche von $> 5 \text{ m}^2$). Dieser Luftentfeuchter ist nicht für den gewerblichen Einsatz vorgesehen.
- Lassen Sie bei Modellen mit hinteren Lüftungsschlitzen auf der Rückseite und an den Seiten des Luftentfeuchters mindestens 30,5 cm bis 45,7 cm Abstand und entsprechend oberhalb des Luftentfeuchters bei Modellen mit oberen Lüftungsschlitzen.
- Sie benötigen zum Aufstellen des Luftentfeuchters eine ausreichend robuste Oberfläche. Installieren Sie ihn nicht auf einem Teppich und stellen Sie sicher, dass der Luftentfeuchter sicher steht, bevor Sie ihn in Betrieb nehmen, um ein Umkippen zu verhindern.
- Sie benötigen eine Oberflächenebene, die ausreicht, um zu verhindern, dass das Wasser ausläuft, wenn der Eimer voll mit Wasser ist.
- Blockieren Sie nicht die Lüftungsschlitze des Gerätes.
- Betreiben Sie diesen Luftentfeuchter niemals in einem Bereich, in dem sich stehendes Wasser ansammeln kann. Wenn sich dieser Zustand entwickelt, trennen Sie zu Ihrer Sicherheit die Stromversorgung, bevor Sie ins Wasser gehen.
- Bevor Sie den Luftentfeuchter bewegen, sollten Sie ihn unbedingt abschalten, den Netzstecker abziehen und den Eimer entleeren, um ein Auslaufen von Wasser oder einen Stromschlag zu vermeiden.

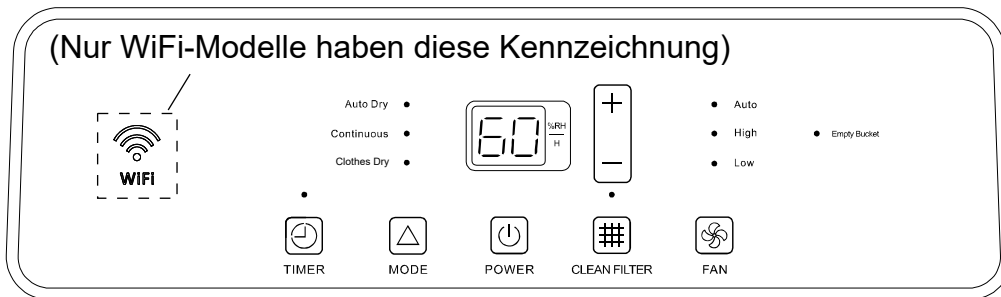


A. 30,5 cm bis 45,7 cm

VERWENDUNG DES LUFTENTFEUCHTERS

Einstellen der Bedienelemente

Schalttafel



HINWEIS:

- Der Sollwert ist die relative Luftfeuchtigkeit: niedriger ist trockener, höher ist weniger trocken.
- Das Bedienfeld Ihres Modells kann von dem oben abgebildeten abweichen.

Starten/Stoppen des Entfeuchters

⚠ WARNUNG Der Luftentfeuchter sollte vor dem Gebrauch mindestens 2 Stunden aufrecht stehen.

⚠ WARNUNG Ziehen Sie den Wassereimer bei normalem Gebrauch nicht heraus, da sonst die Gefahr eines Stromschlags besteht. Wenn Sie den Luftentfeuchter bewegen wollen, ziehen Sie zuerst den Netzstecker.

HINWEIS:

- Bevor Sie den Entfeuchter einschalten, vergewissern Sie sich, dass der Eimer leer ist und bis zum Anschlag in den Entfeuchter passt.
- Jedes Mal, wenn Sie den Luftentfeuchter ausstecken oder die Stromversorgung unterbrochen wird, kehren die Bedienelemente zu den vorherigen Einstellungen zurück, wenn die Stromversorgung wiederhergestellt wird.
- Die angezeigte Luftfeuchtigkeit liegt zwischen 30% und 90% relativer Luftfeuchtigkeit.
- Die Luftfeuchtigkeit kann zwischen 30% und 80% relativer Luftfeuchtigkeit eingestellt werden.
- Es ist wichtig, den gewünschten Feuchtigkeitsgrad auf eine erreichbare Einstellung einzustellen. Um einen energieeffizienten Betrieb zu gewährleisten, verwenden Sie den Luftentfeuchter nur in einem geschlossenen Raum, ohne offene Fenster oder andere feuchte Luftquellen (zur Vermeidung eines Dauerbetriebs).
- Die Betriebstemperatur liegt zwischen 5°C und 32°C. Die Betriebsfeuchtigkeit liegt zwischen 30% und 80% relativer Luftfeuchtigkeit. Bei Temperaturen von 5°C oder weniger gefriert Wasser im Inneren des Produkts. Bei Temperaturen über 32°C löst die Innentemperatur des Produkts eine Schutzvorrichtung aus, die das Produkt deaktiviert, um Produktschäden zu vermeiden.
- Der Verdichter hat eine Verzögerung von 3 Minuten vor dem Neustart. Wenn das Produkt gestoppt und sofort wieder gestartet wird, gibt es zum Schutz des Kompressors eine 3-minütige Verzögerung, bis der Kompressor wieder anläuft.
- Wenn der Luftentfeuchter in Betrieb ist, steigt die Raumtemperatur. Der Luftentfeuchter hat keine

Kühl-/Heizfunktion. Während des Betriebs wird Wärme erzeugt, so dass die Raumtemperatur je nach Einsatzbedingungen (Raumtemperaturgröße des Raumes) um ca. 5°C erhöht werden kann.

⚠ WARNUNG



Gefahr durch Stromschlag

Stecken Sie den Stecker immer in eine geerdete dreipolige Steckdose. Entfernen Sie den Erdungsanschluss nicht. Verwenden Sie keinen Adapter. Verwenden Sie kein Verlängerungskabel. Die Nichtbeachtung dieser Anweisungen kann zu Tod, Brand oder Stromschlägen führen.

1. Stecken Sie den Stecker in eine geerdete dreipolige Steckdose.
2. Drücken Sie POWER, um den Luftentfeuchter einzuschalten.
3. Drücken Sie FAN, um die Lüftergeschwindigkeit auszuwählen.
4. Drücken Sie zur Auswahl des Modus die Taste MODE (Auto Dry/Continuous/Clothes Dry/Manual Set).
5. Drücken Sie zum manuellen Einstellen der Luftfeuchtigkeit im manuellen Einstellmodus die „+“- oder „-“-Taste.
6. Drücken Sie POWER, um den Luftentfeuchter auszuschalten.



HINWEIS:

Im Falle eines Stromausfalls oder einer Unterbrechung der Stromversorgung startet der Luftentfeuchter nach der Wiederherstellung der Stromversorgung automatisch in den zuletzt verwendeten Einstellungen neu.

Lüftergeschwindigkeit

1. Drücken Sie FAN, um die Lüftergeschwindigkeit auszuwählen.
2. Wählen Sie Low (Langsam), High (Turbo) oder Auto (Automatisch).



- Langsam-Die gewählte Luftfeuchtigkeit wird bei niedrigem Geräuschpegel erzielt.
- Turbo-Die gewählte Luftfeuchtigkeit wird in kürzerer Zeit erzielt.
- Automatisch-Die gewählte Luftfeuchtigkeit wird mit normaler Geschwindigkeit erzielt.

HINWEIS:

Sobald die relative Luftfeuchtigkeit im Raum der gewählten Einstellung entspricht, schaltet sich der Kompressor ab und das Gebläse schaltet sich periodisch aus. Das Gebläse kann sich bei nicht-aktivem Kompressor periodisch einschalten, um die Luftfeuchtigkeit abzulesen.

Gewünschter Feuchtigkeitsmodus

1. Drücken Sie zur Auswahl der gewünschten FeuchtigkeitsEinstellung die Taste MODE.
 - Automatischer Trockenmodus: Die Auto Dry leuchtet.
 - Trockenmodus-Dauerbetrieb: Die Continuous Dry-Anzeige leuchtet.
 - Wäschetrocknen-Modus: Die Clothes Dry-Anzeige leuchtet.
 - Manuelle Einstellung-Modus: Die drei Modusanzeigen Auto Dry, Continuous Dry und Clothes Dry sind alle deaktiviert.



2. Wählen Sie Auto Dry, Continuous ,Clothes Dry , Manual Set.
 - Auto Dry: Der Luftentfeuchter wird ausschließlich im Trockenmodus betrieben. Die Gebläsegeschwindigkeit wird automatisch eingestellt. Die gewünschte Luftfeuchtigkeit wird automatisch auf 50% eingestellt.
 - Continuous: Der Luftentfeuchter läuft kontinuierlich im Dauerbetrieb. Die Gebläsegeschwindigkeit ist anpassbar. Die gewünschte Luftfeuchtigkeit kann nicht eingestellt werden.
 - Clothes Dry: Der Luftentfeuchter arbeitet in einem intensiven Entfeuchtungsmodus und trocknet Wäsche automatisch entsprechend der aktuellen Raumfeuchtigkeit. Am Ende des Trocknungsvorgangs wird der Entfeuchtungsmodus automatisch beendet und die Anzeige für den Wäschemodus beginnt zu blinken. Wenn Sie die Modus-Taste erneut drücken, kehren Sie in den Trocknungsmodus zurück, und die Modus-Anzeige wechselt von Blinken zu Leuchten. Die gewünschte Luftfeuchtigkeit kann nicht eingestellt werden.
 - Manual Set: Der Luftentfeuchter arbeitet mit der gewählten Gebläsegeschwindigkeit bis zum Erreichen der eingestellten Luftfeuchtigkeit. Wenn die Luftfeuchtigkeit des Raumes höher ist als die gewünschte Feuchtigkeitseinstellung, schaltet sich der Kompressor ein. Falls die Luftfeuchtigkeit im Raum unterhalb der eingestellten Luftfeuchtigkeit liegt, werden sowohl Kompressor als auch Gebläse deaktiviert.

HINWEIS:

Die Enteisungsfunktion schaltet den Verdichter aus, wenn eine niedrige Temperatur vorliegt. Wenn der Enteiser die richtige Betriebstemperatur erfasst, schaltet sich der Kompressor wieder ein. Ein gewisses Einfrieren ist normal, wenn Entfeuchter bei niedrigen Temperaturen eingesetzt werden.

Licht für leeren Eimer

Falls diese Leuchte leuchtet, werden das Gebläse und der Kompressor ausgeschaltet. Diese Leuchte zeigt an, dass eine Überprüfung erforderlich ist:

- Wenn der Behälter voll ist, leeren Sie ihn und bringen Sie ihn wieder an.
- Wenn der Eimer nicht in Position ist, entfernen Sie den Eimer und montieren Sie ihn wieder. Vergewissern Sie sich, dass der Eimer bis zum Anschlag in den Luftentfeuchter passt und die Eimerleuchte ausgeschaltet ist, da sonst der Luftentfeuchter nicht läuft.

Strom (Leistung)

Drücken Sie POWER, um den Luftentfeuchter ein- oder auszuschalten.



Luftfeuchtigkeitsgrad

1. Drücken Sie die „+“-oder „-“-Taste, um den gewünschten Feuchtigkeitsgrad einzustellen. Die gewünschte Luftfeuchtigkeit in der Digitalanzeige blinkt nach dem Betrieb 5 Sekunden lang.



2. Die aktuelle Raumluftfeuchtigkeit wird nach 5 Sekunden Blinken der gewünschten Luftfeuchtigkeit angezeigt.

HINWEIS:

Die Luftfeuchtigkeit kann nur im Modus Manuelle Einstellung manuell eingestellt werden. In den Betriebsarten Dauerbetrieb und Wäsche trocknen wird das Feuchtigkeitsniveau automatisch eingestellt.

Digitale Anzeige

Auf dem Bildschirm wird die relative Luftfeuchtigkeit oder die Zeit angezeigt (je nach Einstellung).

1. Arbeitet der Luftentfeuchter im Modus Manuelle Einstellung, zeigt der Bildschirm die relative Luftfeuchtigkeit im Raum an.
2. Bei ausgewähltem Timer zeigt das Display die Zeit an, zu der sich der Luftentfeuchter je nach Einstellung ein- oder ausschalten wird.



HINWEIS:

Die angezeigte Luftfeuchtigkeit dient nur als Referenz. Für eine genaue Feuchtigkeitsmessung überprüfen Sie bitte ein Hygrometer.

Timer

So stellen Sie den Timer auf eine Verzögerung von 30 Minuten bis 24 Stunden ein, bevor der Luftentfeuchter ausgeschaltet wird (der Luftentfeuchter muss dafür aktiviert sein):

1. Drücken Sie TIMER. Die Timer-Kontrollleuchte leuchtet auf und das Display blinkt. Der Bildschirm zeigt die verbleibende Zeit bis zum Ausschalten des Luftentfeuchters an.



2. Drücken Sie die „+“-oder „-“-Taste, um die Verzögerungszeit zwischen 30 Minuten und 24 Stunden zu ändern.

So stellen Sie den Timer ein, um den Luftentfeuchter mit der vorherigen Einstellung zu aktivieren:

1. Schalten Sie den Luftentfeuchter aus.
2. Drücken Sie TIMER. Die Timer-Kontrollleuchte blinkt. Auf dem Display wird die verbleibende Zeit bis zum Einschalten des Luftentfeuchters angezeigt.
3. Drücken Sie die „+“-oder „-“-Taste, um die Verzögerungszeit zwischen 30 Minuten und 24 Stunden zu ändern.

Vorgehen zum Löschen des Timer-Verzögerungsprogramms:

HINWEIS: Der Luftentfeuchter kann entweder ein- oder ausgeschaltet sein.

1. Drücken Sie nach der Programmierung einmal auf die Taste TIMER. Das Display zeigt die verbleibende Zeit an.
2. Drücken Sie während der Restzeitanzeige auf dem Bildschirm erneut die Taste TIMER. Die Timer-Kontrollleuchte schaltet sich aus.

Und die verbleibende Zeit wird nicht mehr angezeigt.

Drücken Sie nach der Programmierung einmal auf die Taste TIMER.

Das Display zeigt die verbleibende Zeit an.

HINWEIS:

Entleeren Sie den Wassereimer vor der Einstellung der Timer-Funktion. Falls sich der Wassereimer während der Timer-Funktion komplett füllt, leuchtet die Leuchte „Empty Bucket“ (Eimer leeren) auf und die Entfeuchtung stoppt.

Filter reinigen

1. Wenn die Anzeigeleuchte „Filter reinigen“ leuchtet, entfernen, reinigen und ersetzen Sie den Luftfilter. Siehe „Reinigen des Luftfilters“.
2. Drücken Sie zum Zurücksetzen der Filteranzeige die Taste Filter reinigen.



HINWEIS:

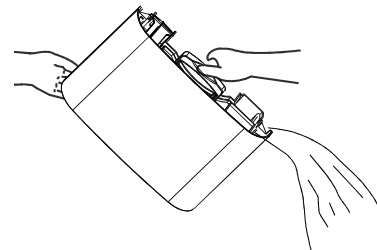
Die eingeschaltete Lampe leuchtet 180 Stunden lang oder bis Sie die Taste Filter reinigen drücken.

Entleeren des Luftentfeuchters



WARNUNG

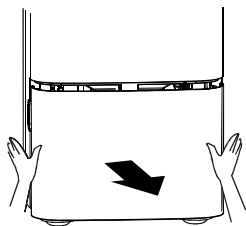
Krankheitsgefahr
Trinken Sie kein Wasser, das in einem Wassereimer gesammelt wird.
Dies kann zu Krankheiten führen.



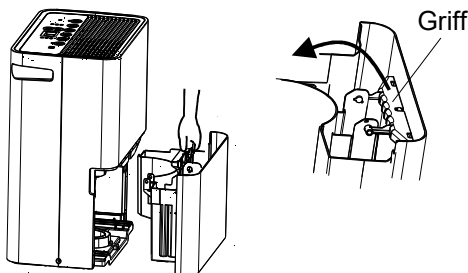
Option 1 Eimerentwässerung

Wenn kein Bodenablauf vorhanden ist oder Sie nicht vorhaben, Ihren Luftentfeuchter dauerhaft laufen zu lassen, möchten Sie vielleicht einfach den Eimer leeren.

1. Greifen Sie die Eimerseiten, um den Eimer herauszuziehen.

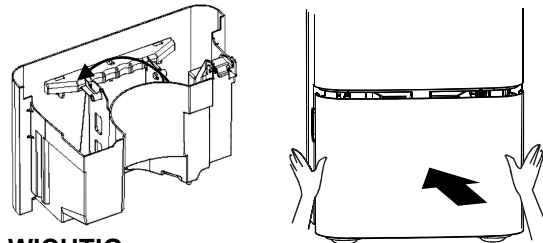


2. Heben Sie den Eimer am Griff an.



3. Gießen Sie Wasser in eine Spüle oder Wanne.

4. Klappen Sie den Griff herunter und setzen Sie den Eimer wieder ein.



WICHTIG:

Wenn die Leuchte „Behälter leeren“ leuchtet, funktioniert der Luftentfeuchter nicht.

Möglicherweise muss der Behälter geleert oder neu installiert werden.

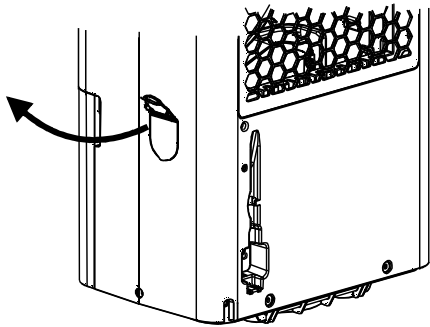
HINWEIS:

- Wenn der Wassereimer unmittelbar nach dem Ausschalten des Luftentfeuchters entfernt wird, kann das im Wärmetauscher verbleibende Wasser in den Speicherbereich des Wassereimers tropfen. Entfernen Sie das Wasser mit einem weichen Tuch.
- Berühren Sie während der Reinigung nicht den Wasserpegelregler.
- Reinigen Sie den Wassereimer einmal pro Woche während des Gebrauchs.
- Wenn die Umgebungstemperatur niedrig ist, befindet sich weniger Feuchtigkeit in der Luft, die das Produkt entfernen muss.
- Ziehen Sie den Netzstecker, bevor Sie den Wassereimer entfernen. Wenn der Eimer während des Betriebs des Produkts entfernt wird, stoppt der Kompressor.

Option 2 Schwerkraft-Selbstentleerung

Wenn Sie planen, Ihren Luftentfeuchter kontinuierlich zu betreiben, können Sie die direkte Entleerung wählen, indem Sie einen Gartenschlauch an das Gerät anschließen.

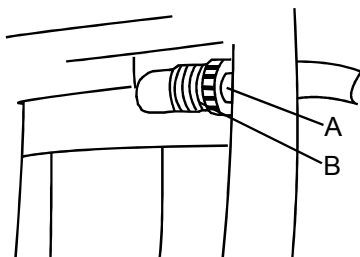
1. Schalten Sie den Luftentfeuchter aus und ziehen Sie den Netzstecker.
2. Decken Sie die Steckerabdeckung an der Seite des Gerätes auf.



3. Entfernen Sie den Eimer.
4. Befestigen Sie einen Gartenschlauch am Ablaufschlauchanschluss auf der Innenseite des Entfeuchters. Befestigen Sie den Schlauch sicher, um sicherzustellen, dass kein Wasser austritt.

HINWEIS:

- Der Gartenschlauch ist separat erhältlich.
- Der Innendurchmesser des Abflussschlauchs sollte mindestens 12,7mm betragen.
- Der Anschluss eignet sich ausschließlich für nordamerikanische Gartenschläuche.



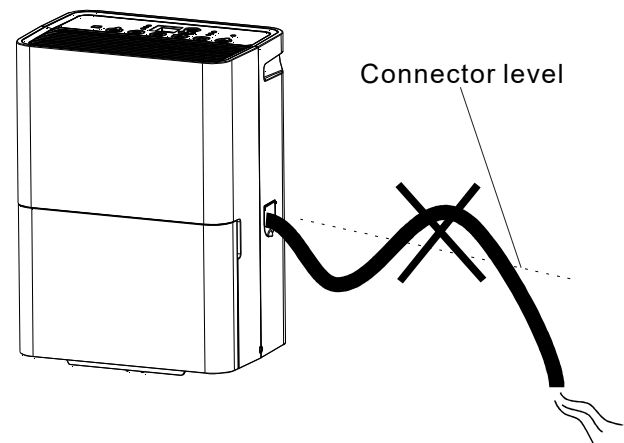
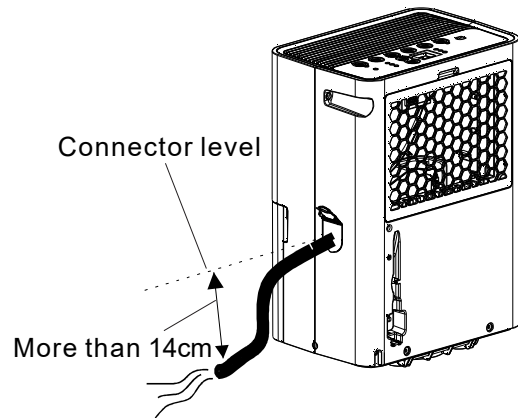
A. Gartenschlauch
B. Ablaufschlauchanschluss

WICHTIG:

In Nordamerika haben die Gartenschlauchanschlüsse ein gerades (nicht konisches) 3/4-Gewinde mit einer Steigung von 4,52 Gewinden pro cm (die Steckkomponente hat einen Außendurchmesser von 26,99mm).

⚠️ WARNUNG Achten Sie darauf, dass Sie beim Anschließen des Schlauches Ihre Hände nicht verletzen.

5. Stecken Sie das andere Ende des Gartenschlauchs in einen Bodenablauf. Prüfen Sie, ob der Schlauch flach liegt und im Abfluss liegt. Stellen Sie sicher, dass alle Teile des Schlauchs sich auf einer niedrigeren Ebene befinden als der Schlauchanschluss am Luftentfeuchter. Außerdem sollte sich der Ausgang des Schlauches mindestens 14 cm tiefer befinden als der Schlauchanschluss. Der Schlauch darf nicht geknickt oder eingeklemmt werden.



6. Setzen Sie den Eimer wieder ein.

HINWEIS:

- Um den Eimer ohne den Gartenschlauch zu nutzen, entfernen Sie einfach den Gartenschlauch und decken die Öffnung mit dem Gummistopfen ab.
- Der Eimer muss montiert und richtig ausgerichtet sein, damit der Entfeuchter mit oder ohne angeschlossenem Gartenschlauch arbeiten kann.

Normale Töne

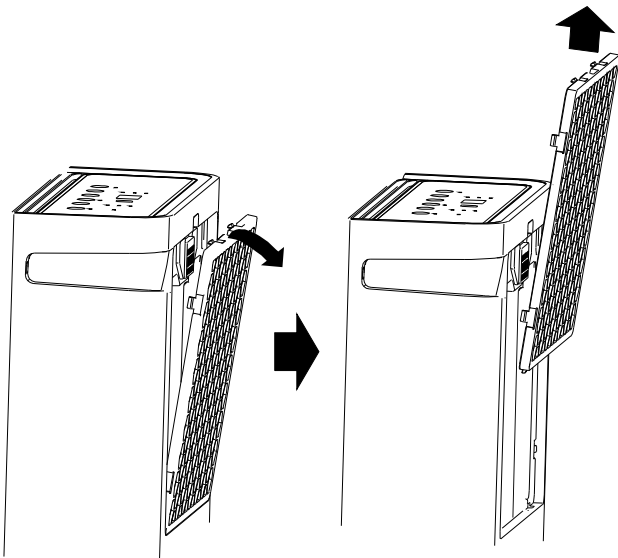
Wenn Ihr Luftentfeuchter normal arbeitet, können Sie folgende Geräusche hören:

- Kompressorgeräusche, die laut sein können.
- Luftbewegung durch den Ventilator.
- Das Klicken ertönt, wenn der Entfeuchter oder Kompressor ein- und ausgeschaltet wird und wenn der automatische Abschaltswitch funktioniert.

PFLEGE DES LUFTENTFEUCHTERS

Ihr neuer Luftentfeuchter ist so konzipiert, dass er Ihnen viele Jahre lang einen zuverlässigen Service bietet. In diesem Abschnitt wird erklärt, wie Sie Ihren Luftentfeuchter reinigen und pflegen. Um Schäden am Kompressor zu vermeiden, lagern oder versenden Sie das Gerät niemals kopfüber oder seitlich.

Reinigen des Luftfilters



Der Luftfilter ist zur einfachen Reinigung abnehmbar. Ein sauberer Filter hilft, Staub, Flusen und andere Partikel aus der Luft zu entfernen und ist wichtig für eine optimale Betriebsleistung. Überprüfen Sie den Filter alle zwei Wochen, um festzustellen, ob er gereinigt werden muss.

1. Schalten Sie den Luftentfeuchter aus.
2. Entfernen Sie den Luftfilter.
3. Verwenden Sie einen Staubsauger, um den Luftfilter bei Verschmutzung des Luftfilters zu reinigen, waschen Sie ihn in warmem Wasser mit einem milden Reinigungsmittel.
4. Setzen Sie den Luftfilter wieder ein.
5. Schalten Sie den Luftentfeuchter ein.

HINWEIS:

Reinigen Sie den Luftfilter nicht in der Geschirrspülmaschine und verwenden Sie keinen chemischen Reiniger. Lufttrocknen Sie den Filter vor dem Wiedereinbau vollständig, um eine maximale Betriebsleistung zu gewährleisten.

Reinigung des Luftentfeuchters

Außenbereich

1. Schalten Sie den Luftentfeuchter aus und ziehen Sie den Netzstecker.
2. Stauben Sie die Oberfläche des Gerätes mit einem weichen Tuch oder mit dem Staubaufsatz Ihres Staubsaugers ab.

Wassereimer

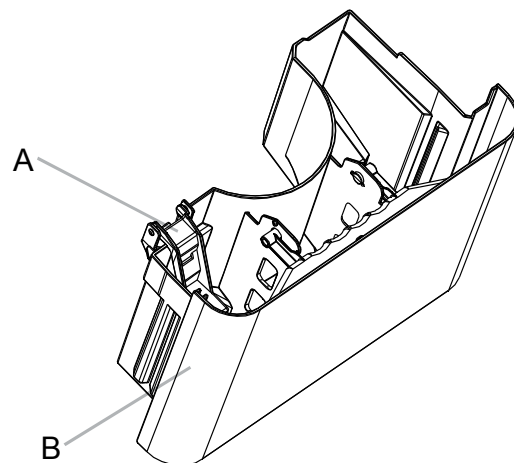
Alle paar Wochen spülen Sie das Innere des Wassereimers mit einem milden Reinigungsmittel aus, um das Wachstum von Schimmel, Mehltau und Bakterien zu vermeiden.

Wasserpegelregler

Der Wassereimer des Luftentfeuchters verfügt über einen Wasserpegelregler. Beschädigen oder entfernen Sie nicht den Wasserpegelregler des Eimers. Wenn der Regler nicht richtig positioniert ist, leuchtet die Leuchte „Behälter leeren“ auf. Dies verhindert den Betrieb und kann zu Undichtigkeiten führen.

HINWEIS:

Vergewissern Sie sich, dass der Regler richtig eingerastet ist.



- A. Wasserpegelregler
B. Eimer


FEHLERBEHEBUNG

Bevor Sie den Kundendienst anrufen, versuchen Sie die folgenden Vorschläge.

Der Luftentfeuchter läuft nicht.

- Ist der Luftentfeuchter eingeschaltet?
Schalten Sie den Luftentfeuchter ein.

⚠️ WARNUNG



Stromschlaggefahr

Stecken Sie den Stecker in eine geerdete dreipolige Steckdose.

Entfernen Sie den Erdungsanschluss nicht.

Verwenden Sie keinen Adapter.

Verwenden Sie kein Verlängerungskabel.

Die Nichtbeachtung dieser Anweisungen kann zu Tod, Brand oder Stromschlägen führen.

- Ist das Netzkabel an eine geerdete Dreipunktsteckdose angeschlossen?
Stecken Sie den Stecker in eine geerdete dreipolige Steckdose.
Siehe "Elektrische Anforderungen" auf Seite 12.
- Ist eine Haushaltssicherung durchgebrannt oder ein Trennschalter ausgelöst worden?
Ersetzen Sie die Sicherung oder setzen Sie den Leistungsschalter zurück.
Wenn das Problem weiterhin besteht, wenden Sie sich an einen Elektriker.
Siehe "Elektrische Anforderungen" auf Seite 12.

- Ist der Eimer richtig montiert?
Montieren Sie den Eimer wieder so, dass er bis zum Anschlag in den Luftentfeuchter passt.
- Muss der Eimer geleert werden?
Entleeren Sie den Eimer.
- Ist der Wasserpegelregler angebracht?
Entfernen Sie den Eimer. Vergewissern Sie sich, dass der Regler eingerastet ist. Setzen Sie den Eimer wieder ein.
- Hat der Luftentfeuchter plötzlich den Betrieb eingestellt und schaltet sich nicht ein?
Vergewissern Sie sich, dass der Strom angeschlossen ist und der Behälter an seinem Platz ist. Wenn das Gerät immer noch nicht funktioniert, rufen Sie Hisense für den Garantie-Service an.

Der Luftentfeuchter läuft, entfeuchtet aber nicht

- Alle Modelle verfügen über eine automatische Enteisungsfunktion, die den Kompressor abschaltet und den Ventilator laufen lässt. Wenn die Enteisungsfunktion die richtige Betriebstemperatur erfasst, schaltet sich der Verdichter wieder ein.
- Der Filter ist verschmutzt oder verstopft. Reinigen Sie den Filter.

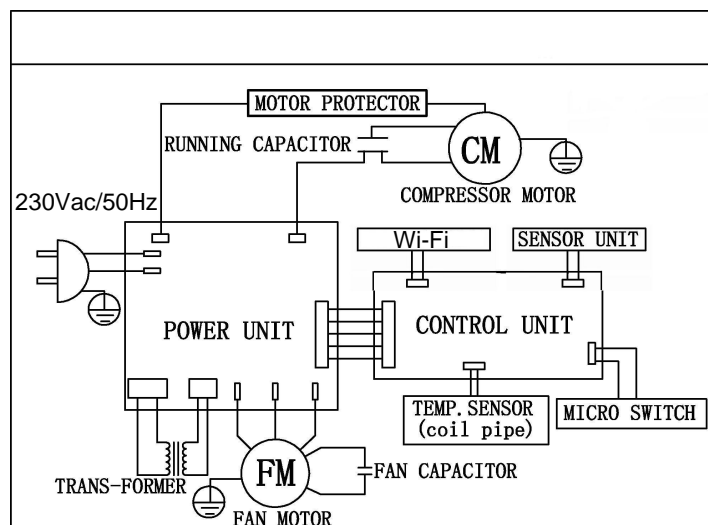
Die aus dem Luftentfeuchter kommende Luft ist warm

- Der Luftentfeuchter gibt unter normalen Betriebsbedingungen warme Luft ab.

Der Luftentfeuchter zeigt Fehlercodes an

- Wenn der Luftentfeuchter einen Fehlercode anzeigt, wenden Sie sich bitte an den Hisense-Kundendienst.

SCHALTPLAN



Hisense

Vodič za upotrebu i negu odvlaživača

Hvala vam što ste kupili ovaj odvlaživač vazduha. Pažljivo pročitajte ovo uputstvo za upotrebu i održavanje pre upotrebe ovog uređaja i sačuvajte ovo uputstvo za buduću upotrebu.

SADRŽAJ

PREGLED PROIZVODA	1
MERE PREDOSTROŽNOSTI	2
ODVLAŽIVAČ - BEZBEDNOST	9
ZAHTEVI ZA INSTALIRANJE	12
Električni zahtevi	12
Lokacijski uslovi	12
UPOTREBA ODVLAŽIVAČA VAZDUHA	13
Podešavanje kontrola	13
Pražnjenje odvlaživača	15
Normalni zvukovi	16
BRIGA O ODVLAŽIVAČU	17
Čišćenje filtera za vazduh	17
Čišćenje odvlaživača	17
REŠAVANJE PROBLEMA	18

BEZBEDNOSNA UPUTSTVA

Ovaj uređaj mogu da koriste deca uzrasta od 8 godina i više i osobe sa smanjenim fizičkim, senzornim ili mentalnim sposobnostima ili nedostatkom iskustva i znanja ako im je obezbeđen nadzor ili uputstva u vezi sa upotrebom uređaja na siguran način i razumeju opasnosti koje su prisutne.

Deca se ne smeju igrati uređajem. Deca ne smeju da čiste ili održavaju uređaj bez nadzora odgovornog lica. Deca treba da budu pod nadzorom da bi se osiguralo da se ne igraju uređajem. Ako je kabl za napajanje oštećen, sme ga zameniti proizvođač, njegov ovlašćeni serviser ili slično kvalifikovana lica kako bi se izbegla opasnost. Uređaj treba da bude instaliran u skladu sa nacionalnim propisima o ožičenju. Opseg spoljnih statičkih pritisaka je od -0,2 Pa do 0,2 Pa. Držite jedinicu na udaljenosti od 5 m ili više od zapaljivih površina.

Ne koristite uređaj u vlažnoj prostoriji kao što je kupatilo ili vešernica.

ZAŠTITA ŽIVOTNE SREDINE

Ovaj uređaj je napravljen od materijala koji se može reciklirati ili ponovo upotrebiti. Otpad se mora odlagati u skladu sa lokalnim propisima o odlaganju otpada. Pre nego što ga bacite, obavezno odsecite kabl za napajanje tako da se uređaj ne može ponovo koristiti.

Za detaljnije informacije o rukovanju i recikliranju ovog proizvoda, obratite se lokalnim vlastima koje se bave odvojenim sakupljanjem smeća ili prodavnici u kojoj ste kupili uređaj.

ODLAGANJE UREĐAJA

Ovaj uređaj je označen u skladu sa Evropskom direktivom 2012/19/EU o otpadu električne i elektronske opreme (OEEO).

Ova oznaka označava da se ovaj proizvod ne sme odlagati sa drugim kućnim otpadom širom EU. Da biste sprečili moguće štetne posledice po okolinu i ljudsko zdravlje usled nekontrolisanog odlaganja otpada, odgovorno ga reciklirajte da biste podstakli trajnu ponovnu upotrebu materijalnih resursa. Da biste vratili korišćeni uređaj, koristite sisteme za povraćaj i prikupljanje ili kontaktirajte prodavca gde je proizvod kupljen.

Oni mogu da preuzmu ovaj proizvod za ekološki bezbedno recikliranje.



OPREZ





- Nemojte koristiti nikakva sredstva za ubrzavanje procesa odmrzavanja ili za čišćenje, osim onih preporučenih od strane proizvođača.
- Uređaj se mora čuvati u prostoriji bez neprekidnog rada izvora paljenja (na primer: otvoreni plamen, gasni uređaj ili električni grejač koji radi).
- Nemojte bušiti ili paliti.
- Imajte na umu da rashladna sredstva možda nemaju miris.
- Uređaj se instalira, koristi i skladišti u prostoriji površine veće od 5 m².
- Prostor u kojima su cevi za rashladno sredstvo mora biti u skladu sa nacionalnim propisima o gasu.
- Servisiranje treba vršiti samo po preporuci proizvođača.

- Uređaj treba čuvati u dobro provetrenom prostoru gde veličina prostorije odgovara prostoru određenom za upotrebu.
- Sve radne postupke koji utiču na bezbednost smeju da sprovode samo kompetentna lica.
- Uređaj se skladišti u prostoriji bez neprekidnog rada otvorenog plamena (na primer, radni gasni uređaj) i izvora paljenja (na primer električni grejač koji radi).
- Uređaj treba uskladištiti kako bi se sprečilo mehaničko oštećenje.
- Svaka osoba koja upravlja uređajem ili otvara kolo rashladnog sredstva treba da poseduje ažurirani važeći sertifikat od industrijski akreditovanog tela za procenu koji ovlašćuje njihovu nadležnost za bezbedno rukovanje rashladnim sredstvima u skladu sa industrijski priznatom specifikacijom za procenu.

Servisiranje treba vršiti samo po preporuci proizvođača opreme. Održavanje i

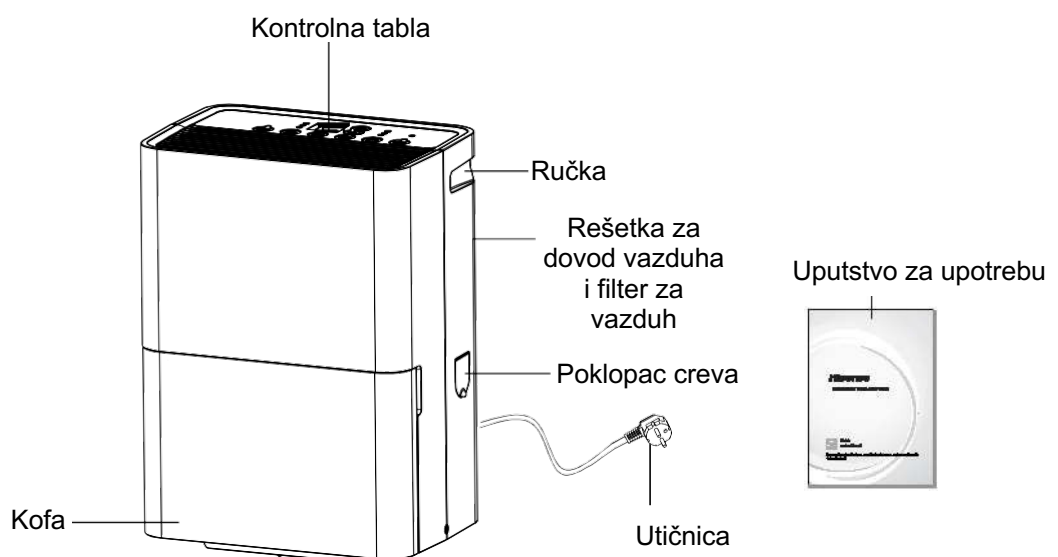
- popravka koji zahtevaju pomoć drugog kvalifikovanog osoblja treba da se obavljaju pod nadzorom osobe nadležne za upotrebu zapaljivih rashladnih sredstava.

Objašnjenje simbola prikazanih na uređaju:

 Oprez, opasnost od požara	UPOZORENJE	Ovaj simbol pokazuje da ovaj uređaj koristi zapaljivo rashladno sredstvo. Ako rashladno sredstvo procuri i bude izloženo spoljnom izvoru paljenja, postoji opasnost od požara.
	OPREZ	Ovaj simbol pokazuje da uputstvo za upotrebu treba pažljivo pročitati.
	OPREZ	Ovaj simbol pokazuje da servisno osoblje treba da rukuje ovom opremom u skladu sa uputstvom za instalaciju.
	OPREZ	Ovaj simbol pokazuje da su dostupne informacije kao što su uputstvo za upotrebu ili uputstvo za instalaciju.

Parametar osigurača uređaja: (T2.5 A, 250 V).

Pregled proizvoda



NAPOMENA:

Vrednosti u ovom uputstvu zasnovane su na spoljašnjem prikazu standardnog modela. Mogu se razlikovati od odvlaživača koji ste izabrali.

MERE PREDOSTROŽNOSTI

Mere predostrožnosti za korišćenje rashladnog sredstva R290

Osnovni postupci instalacije su isti kao i kod konvencionalnog rashladnog sredstva (R22 ili R410A). Međutim, obratite pažnju na sledeće:



OPREZ

1. **Transport opreme koja sadrži zapaljiva rashladna sredstva**
Usklađenost sa propisima o transportu
2. **Obeležavanje opreme znakovima**
Usklađenost sa lokalnim propisima
3. **Odlaganje opreme koja sadrži zapaljiva rashladna sredstva**
Usklađenost sa nacionalnim propisima
4. **Skladištenje opreme/uređaja**
Skladištenje opreme treba da bude u skladu sa uputstvima proizvođača.
5. **Skladištenje zapakovane (neprodane) opreme**
 - Zaštita paketa za skladištenje treba da bude konstruisana tako da mehanička oštećenja opreme unutar paketa ne mogu izazvati curenje punjenja rashladnog sredstva.
 - Maksimalan broj komada opreme koji se mogu skladištiti zajedno biće određen lokalnim propisima.
6. **Informacije o servisiranju**
 - 6-1 **Provera područja**
Pre početka rada na sistemima koji sadrže zapaljiva rashladna sredstva, neophodne su bezbednosne provere kako bi se osiguralo da je rizik od paljenja sveden na minimum. Za popravku rashladnog sistema treba se pridržavati sledećih mera predostrožnosti pre izvođenja radova na sistemu.
 - 6-2 **Radna procedura**
Radove treba preduzeti po kontrolisanom postupku kako bi se smanjio rizik od prisustva zapaljivog gasa ili pare tokom izvođenja radova.
 - 6-3 **Opšte područje rada**
 - Svo osoblje za održavanje i ostali koji rade u lokalnoj oblasti treba da budu obavešteni o prirodi posla koji se obavlja. Rad u skućenim prostorima treba izbegavati.
 - Područje oko radnog prostora treba odvojiti. Uverite se da su uslovi unutar područja bezbedni tako što ćete proveriti da li ima zapaljivog materijala.
 - 6-4 **Provera prisustva rashladnog sredstva**
 - Područje treba proveriti odgovarajućim detektorom za rashladno sredstvo pre i tokom rada, osiguravajući da je tehničar svestan potencijalno zapaljive atmosfere.
 - Uverite se da je oprema za otkrivanje curenja koja se koristi pogodna za upotrebu sa zapaljivim rashladnim tečnostima, tj. bez varničenja, da je adekvatno zatvorena ili bezbedna.



OPREZ

6-5 Prisustvo aparata za gašenje požara

- Ako se na rashladnoj opremi ili bilo kojim povezanim delovima obavljaju bilo kakvi radovi koji uključuju toplotu, odgovarajuća oprema za gašenje požara treba da bude dostupna.
- Postavite suvi prah ili aparat za gašenje požara sa CO₂ pored prostora za punjenje.

6-6 Nema izvora paljenja

- Nijedna osoba koja obavlja radove u vezi sa rashladnim sistemom koji podrazumevaju izlaganje bilo kakvih cevovoda koji sadrže ili su sadržavali zapaljivo rashladno sredstvo ne bi trebalo da koristi bilo koji izvor paljenja na način koji bi mogao da dovede do rizika od požara ili eksplozije.
- Sve moguće izvore paljenja, uključujući pušenje cigareta, treba držati dovoljno daleko od mesta ugradnje, popravke, uklanjanja i odlaganja, tokom kojih zapaljivo rashladno sredstvo može da se oslobodi u okolinu.
- Pre izvođenja radova, područje oko opreme treba pregledati kako bi se osiguralo da nema opasnosti od zapaljivosti ili rizika od paljenja. Trebalo bi da budu istaknuti znakovi „Zabranjeno pušenje”.

6-7 Provetren prostor

- Uverite se da je prostor na otvorenom ili da je adekvatno provetren pre otvaranja sistema ili izvođenja bilo kakvih radova koji uključuju toplotu.
- Prostor treba da bude dovoljno provetren tokom obavljanja radova.
- Ovo provetravanje treba bezbedno da rasprši sve ispuštene rashladne materije i po mogućnosti da ih izbaci u atmosferu.

6-8 Provere rashladne opreme

- Kada se menjaju električne komponente, one treba da odgovaraju nameni i da ispunjavaju odgovarajuće specifikacije.
- U svakom trenutku treba poštovati uputstva proizvođača za održavanje i servisiranje. Ako ste u nedoumici, konsultujte tehničko odeljenje proizvođača za pomoć.
- Sledeće provere treba primeniti na instalacije koje koriste zapaljiva rashladna sredstva:
 - Veličina punjenja treba da bude u skladu sa veličinom prostorije u kojoj su ugrađeni delovi koji sadrže rashladno sredstvo;
 - Ventilacioni uređaji i otvori treba da rade adekvatno, bez ikakvih prepreka;
 - Ako se koristi indirektni rashladni krug, sekundarni krug treba proveriti zbog prisustva rashladnog sredstva;
 - Oznake na opremi treba da budu vidljive i čitljive. Oznake i znakovi koji su nečitki treba ispraviti;

Rashladna cev ili komponente treba da budu postavljene u položaj u kome je malo verovatno da će biti izložene bilo kojoj supstanci koja može korodirati komponente koje sadrže rashladno sredstvo, osim ako su komponente izrađene od materijala koji su inherentno otporni na koroziju ili su prikladno zaštićeni od takve korozije.

OPREZ

6-9 Provere električnih uređaja

Popravka i održavanje električnih komponenti treba da obuhvati početne bezbednosne provere i procedure pregleda komponenti.

- Ako postoji kvar koji bi mogao ugroziti nečiju bezbednost, ne priključujte napajanje na krug sve dok ga ispravno ne popravite.
- Ako se kvar ne može odmah otkloniti, ali je neophodno nastaviti sa radom, treba koristiti adekvatno privremeno rešenje.
- Ovo treba prijaviti vlasniku opreme, tako da su sve strane obaveštene.
- Početne bezbednosne provere obuhvataju:
 - Pražnjenje kondenzatora: moraju se bezbedno isprazniti, izbegavajući mogućnost varničenja;
 - Proveriti da li ima izloženih električnih komponenti ili ožičenja pod naponom tokom punjenja, obnavljanja ili čišćenja sistema;
 - Proveriti da li postoji kontinuitet uzemljenja.

Popravke zaptivenih komponenti

- Tokom popravki zaptivenih komponenti, sva električna napajanja moraju biti isključena iz opreme na kojoj se radi pre bilo kakvog uklanjanja zapečaćenih poklopaca, itd.
- Ako je apsolutno neophodno da se oprema napaja tokom popravke, treba koristiti metodu neprekidne detekcije propuštanja u najkritičnijoj tački kako bi se potencijalno opasne situacije mogle otkriti što je pre moguće.
- Posebna pažnja se posvećuje sledećem kako bi se osiguralo da kućište ne bude izmenjeno do te mere da bi uticalo na nivo zaštite.
- To uključuje oštećenje kablova, prekomeran broj priključaka, terminala koji ne odgovaraju originalnim specifikacijama, oštećenja zaptivača, nepravilno postavljanje uvodnica, itd.
- Uverite se da je aparat bezbedno postavljen.
- Uverite se da zaptivke ili zaptivni materijali nisu potrošeni tako da ne služe u svrhu sprečavanja ulaska zapaljivih atmosfera.
- Rezervni delovi moraju biti u skladu sa specifikacijama proizvođača.

NAPOMENA:

Upotreba silikonske zaptivne mase može sprečiti efikasnost neke opreme za otkrivanje curenja. Samosigurne komponente ne moraju da budu izolovane pre rada na njima.

8. Popravka samosigurnih komponenti

- Nemojte primenjivati trajna induktivna ili kapacitivna opterećenja na kolo bez da se uverite da ona neće prekoračiti dozvoljeni napon i struju za opremu u upotrebi.
- Samosigurne komponente su jedine na kojima se može raditi dok se nalaze u zapaljivoj atmosferi. Ispitni uređaj treba da bude na odgovarajućem nivou.



OPREZ

- Komponente zamenite samo delovima koje je naveo proizvođač.
- Drugi delovi mogu da dovedu do paljenja rashladnog sredstva u atmosferi usled curenja.

9. Kabl

- Pazite da kablovi nisu izloženi habanju, koroziji, prekomernom pritisku, vibracijama, oštrim ivicama ili drugim štetnim uticajima okoline.
- Nadzor bi takođe trebalo da uzme u obzir starenje ili izvore neprekidnih vibracija kao što su kompresori ili ventilatori.

10. Detekcija zapaljivih rashladnih sredstava

- Ni pod kojim uslovima ne treba koristiti potencijalni izvor zapaljenja za lociranje ili otkrivanje curenja rashladnog sredstva.
- Upotreba halogene baklje (ili bilo kojeg senzora otvorenog plamena) je zabranjena.

11. Metode detekcije curenja

- Sledeće metode otkrivanja curenja smatraju se prihvatljivim za sisteme koji sadrže zapaljiva rashladna sredstva:
 - Elektronski detektori curenja koriste se za otkrivanje zapaljivih rashladnih sredstava, ali osetljivost možda nije adekvatna ili će možda biti potrebna ponovna kalibracija. (Oprema za detekciju mora biti kalibrisana u prostoru bez rashladnog sredstva.)
 - Uverite se da detektor ne predstavlja potencijalni izvor paljenja i da je pogodan za korišćeno rashladno sredstvo.
 - Oprema za otkrivanje curenja mora biti podešena na procenat LFL (donja granica zapaljivosti) rashladnog sredstva i mora biti kalibrisana prema korišćenom rashladnom sredstvu i odgovarajućem procentu gasa (maksimalno 25 %).
 - Tečnosti za otkrivanje curenja su pogodne za upotrebu sa većinom rashladnih sredstava, ali treba izbegavati upotrebu deterdženata koji sadrže hlor, jer hlor može reagovati sa rashladnim sredstvom i dovesti do korodiranja bakarnih cevi.
 - Ako sumnjate na curenje, svi otvoreni plamenovi se moraju ukloniti/ ugasiti.
 - Ako se otkrije curenje rashladnog sredstva koje zahteva lemljenje, rashladno sredstvo mora biti izvučeno iz sistema ili izolovano (pomoću zapornih ventila) u deo sistema udaljenom od mesta curenja.
 - Azot bez kiseonika (OFN) se zatim propušta kroz sistem pre i tokom procesa lemljenja.

12. Uklanjanje i pražnjenje

- Prodiranje u rashladni krug može se izvršiti korišćenjem uobičajenih tehnika za popravku ili druge svrhe.
- Međutim, u slučaju zapaljivih rashladnih tečnosti, važno je slediti dobru praksu, pošto se radi o zapaljivom materijalu.
- Treba slediti sledeći postupak:
 - Uklonite rashladno sredstvo;
 - Očistite krug inertnim gasom;



OPREZ

- Ispraznite;
- Ponovo očistite inertnim gasom;
- Otvorite rashladni krug sečenjem ili lemljenjem.
- Rashladno sredstvo mora biti vraćeno u odgovarajuće boce.
- Sistem mora biti „ispran” azotom bez kiseonika da bi uređaj bio bezbedan.
- Ovaj postupak će možda trebati ponoviti nekoliko puta.
- Komprimovani vazduh ili kiseonik se ne smeju koristiti za ovaj zadatak.
- Ispiranje se vrši prekidom vakuuma u sistemu sa azotom bez kiseonika i nastavljanjem punjenja dok se ne postigne radni pritisak, a zatim odzračivanjem u atmosferu i na kraju zaptivanjem.
- Ovaj proces se ponavlja sve dok u sistemu nema rashladnog sredstva. Kada je završeno poslednje punjenje azota bez kiseonika, sistem mora biti pod prirodnim pritiskom da bi se započeli radovi.
- Ova operacija je neophodna pre obavljanja lemljenja na cevovodu.
- Proverite nije li izlaz vakuumske pumpe blizu potencijalnih izvora plamena i da li je ventilacija dovoljna.

13. Proces punjenja

- Pored konvencionalnih postupaka punjenja, moraju se ispuniti i sledeći zahtevi:
 - Prilikom punjenja uređaja pazite da nije kontaminiran različitim rashladnim sredstvima.
 - Creva ili vodovi moraju biti što je moguće kraći kako bi se smanjila količina rashladnog sredstva u njima.
 - Boce držite u uspravnom položaju.
 - Pre punjenja rashladnim sredstvom, proverite da li je sistem rashladnog sredstva uzemljen.
 - Označite sistem kada je punjenje završeno (ako to već nije urađeno).
 - Potrebno je voditi računa da se rashladni sistem ne prepuni.
- Pre punjenja sistema, pritisak se mora proveriti sa azotom bez kiseonika.
- Sistem mora biti testiran na curenje po završetku punjenja, a pre puštanja u rad.
- Pre napuštanja lokacije sprovodi se dodatno ispitivanje curenja.

14. Stavljanje van upotrebe

- Pre sprovođenja ovog postupka, neophodno je da tehničar bude u potpunosti upoznat sa opremom i svim njenim detaljima.
- Dobra je praksa da se sva rashladna sredstva obnavljaju.
- Pre izvršenja zadatka, uzima se uzorak ulja i rashladnog sredstva u slučaju da je potrebna analiza pre ponovne upotrebe rashladnog sredstva. Neophodno je da je električna energija dostupna pre početka zadatka. a) Upoznajte se sa opremom i njenim radom.
- b) Isključite električno napajanje uređaja.



OPREZ

- c) Pre početka postupka, uverite se da:
- Mehanička oprema za rukovanje je dostupna, ako je potrebno, za rukovanje rashladnim sredstvom;
 - Sva lična zaštitna oprema je dostupna i pravilno se koristi;
 - Proces obnavljanja u svakom trenutku nadgleda nadležno lice;
 - Oprema i boce za skladištenje su u skladu sa važećim standardima.
- d) Ako je moguće, ispumpajte sistem za hlađenje.
- e) Ako ispumpavanje nije moguće, napravite razdelnik, tako da rashladno sredstvo može biti uklonjeno iz različitih delova sistema.
- f) Pre vraćanja proverite da li je boca na vagi.
- g) Pokrenite mašinu za punjenje i postupajte u skladu sa uputstvima proizvođača.
- h) Nemojte prepuniti boce. (Do 80 % zapremine tečnosti).
- l) Ne prekoračujte maksimalni dozvoljeni radni pritisak boce, čak ni privremeno.
- j) Nakon što su boce pravilno napunjene i postupak je završen, odmah uklonite boce i opremu sa lokacije i proverite da li su svi ventili za zatvaranje na uređaju zatvoreni.
- k) Ispumpano rashladno sredstvo ne treba stavljati u drugi sistem za hlađenje dok nije očišćeno i provereno.

15. Obeležavanje

- Uređaj mora da bude obeležen da je van upotrebe i da je ispražnjen.
- Nalepnica mora biti datirana i potpisana.
- Za opremu koja sadrži zapaljive rashladne tečnosti, proverite da li postoje nalepnice na kojima se to navodi.

16. Obnavljanje

- Prilikom uklanjanja rashladnog sredstva iz sistema, bilo za servisiranje ili stavljanja van pogona, preporučuje se i praktično uklanjanje svih rashladnih sredstava.
- Prilikom prebacivanja rashladnog sredstva u boce, pazite da koristite samo odgovarajuće boce za obnavljanje rashladnog sredstva.
- Proverite da li ima dovoljno boca da se napuni ceo sistem.
- Svaka boca koja se koristi označena je i označena za povrat rashladnog sredstva (tj. posebne boce za obnavljanje rashladnog sredstva).
- Boce moraju imati odgovarajuće i funkcionalne ventile za smanjenje pritiska i pripadajuće ventile za zatvaranje.
- Prazne boce za punjenje se iznose i, ako je moguće, hlade pre obnove.
- Oprema za punjenje mora biti u ispravnom stanju zajedno sa uputstvima u vezi sa opremom, koja će biti odgovarajuća i za obnovu zapaljivih rashladnih sredstava.



OPREZ

- Pored toga, mora biti dostupan i set dobro kalibriranih vaga.
- Creva moraju biti opremljena izolacionim čepovima koji ne propuštaju i u dobrom stanju.
- Pre upotrebe mašine za istakanje, proverite da li je u dobrom radnom stanju, da li je pravilno održavana i da li su sve povezane električne komponente zatvorene kako bi se sprečio požar nakon oslobađanja rashladnog sredstva.
- Ako ste u nedoumici, obratite se proizvođaču.
- Ispumpano rashladno sredstvo vraća se dobavljaču rashladnog sredstva u odgovarajućoj boci, zajedno sa odgovarajućom napomenom.
- Ne mešajte rashladne tečnosti a naročito ne u bocama.
- Ako je potrebno ukloniti kompresore ili kompresorska ulja, prvo proverite da li su ispražnjeni na prihvatljivom nivou kako biste bili sigurni da nema zapaljivog rashladnog sredstva u mazivu.
- Proces pražnjenja mora biti završen pre vraćanja kompresora dobavljaču.
- Da bi se ubrzao ovaj proces, telo kompresora može se zagrevati samo električno.
- Kada se ulje ispušta iz sistema, mora se sprovesti na bezbedan način.

ODVLAŽIVAČ – BEZBEDNOST

Vaša bezbednost i bezbednost drugih su veoma važni

U ovaj priručnik i na vaš uređaj stavili smo mnoge važne bezbednosne poruke.

Uvek pročitajte i pratite sve bezbednosne poruke.



Ovo je simbol sigurnosnog upozorenja.

Ovaj simbol vas upozorava na potencijalne opasnosti koje mogu ubiti ili povrediti vas i druge.

Sve bezbednosne poruke će pratiti simbol bezbednosnog upozorenja sa rečju „OPASNOST“ ili „UPOZORENJE“.

Ove reči znače:

▲ OPASNOST

Opasnost koja će, ako se ne izbegne, dovesti do smrti ili ozbiljnih povreda.

▲ UPOZORENJE

Opasnost koja, ako se ne izbegne, može dovesti do smrti ili ozbiljnih povreda.

Sve bezbednosne poruke će vam reći koje su potencijalne opasnosti, reći će vam kako da smanjite mogućnost povrede i šta može da se desi ako se uputstva ne poštuju.

ZBEDNOSNA UPUTSTVA

▲ OPASNOST

Da biste smanjili rizik od eksplozije, požara, smrti, strujnog udara, opekotina ili povreda osoba prilikom korišćenja ovog uređaja, pridržavajte se osnovnih mera predostrožnosti, uključujući sledeće:

INSTALACIJA

- Priključite u uzemljenu utičnicu sa 3 rupe. Ne uklanjajte zupčanik za uzemljenje.
- Nikada ne pokušavajte da rukujete ovim uređajem ako je oštećen, neispravan, delimično rastavljen ili ako nedostaju ili su pokvareni delovi.
- Nemojte koristiti električni adapter ili adapter sa više utičnica sa ovim odvlaživačem.
- Nemojte koristiti produžni kabl.
- Isključite odvlaživač pre servisiranja.
- Nemojte piti vodu sakupljenu u kofi za vodu.
- Uređaj nije namenjen za upotrebu od strane male dece ili osoba sa invaliditetom bez nadzora, mala deca treba da budu pod nadzorom da bi se osiguralo da se ne igraju uređajem.
- Prilikom postavljanja ili pomeranja uređaja, pazite da ne stegnete, zgnječite ili oštetite kabl za napajanje.
- Čuvajte ambalažni materijal van domašaja dece. Ambalažni materijal može biti opasan za decu. Postoji opasnost od gušenja.
- Nemojte koristiti uređaj u stajaćoj vodi ili dozvoliti da proizvod direktno prska vodu tokom upotrebe.
- Skladištite i instalirajte uređaj tamo gde neće biti izložen temperaturama ispod nule ili spoljnim vremenskim uslovima.
- Pozovite ovlašćenog servisera da popravi ili odmah zameni sve kablove za napajanje koji su oštećeni. Nemojte koristiti kabl koji ima pukotine ili oštećenja od habanja duž svoje dužine ili na bilo kom kraju.

- Nemojte koristiti proizvod ako je utičnica oštećena ili labava.
- U slučaju curenja gasa (propan, tečni gas, itd.) ne koristite ovaj ili bilo koji drugi uređaj. Otvorite prozor ili vrata da biste odmah provetrili prostor.
- Nemojte rastavljati, popravljati ili menjati proizvod.
- Nemojte čuvati ili koristiti zapaljive gasove ili materijale u blizini odvlaživača.

RAD

- Pročitajte sva uputstva pre korišćenja uređaja i sačuvajte ova uputstva.
- Ne dirajte komande.
- Gurnite utikač do kraja u zidnu utičnicu tako da ne bude labav.
- Ne hvatajte kabl za napajanje i nemojte rukovati uređajem mokrim rukama.
- Nemojte menjati ili produžavati kabl za napajanje.
- Ako aparat počne da stvara čudne zvuke ili ispušta miris ili dim, izvucite utikač i obratite se Hisense korisničkoj službi.
- Izbegavajte postavljanje odvlaživača vazduha ili drugih teških predmeta na kabl za napajanje.
- Odvlaživača nemojte da čistite vodom.
- Ulazni i izlazni otvor za vazduh ne sme da bude blokiran.
- Ne prekrivajte kabl tepihom ili prostirkama. Postavljanje teških predmeta na kabl može da ga ošteti.
- Držite uređaj dalje od vatre i jake toplote.
- Nemojte koristiti uređaj na mestima gde bi mogao biti prskan vodom.
- Ne stavljajte prste, štapiće itd. u otvor za vazduh. Ventilator radi velikom brzinom i može izazvati telesne povrede.
- Nemojte popravljati ili menjati bilo koji deo uređaja. Sve popravke i servisiranje mora izvršiti kvalifikovano servisno osoblje, osim ako to nije izričito naznačeno u ovom uputstvu za upotrebu. Koristite samo originalne rezervne delove.
- Povežite na pravilno, zaštićeno strujno kolo odgovarajuće snage da biste izbegli električno preopterećenje.

SAČUVAJTE OVA UPUTSTVA

UPOZORENJE

Da biste smanjili rizik od povreda lica, kvara ili oštećenja proizvoda ili imovine prilikom upotrebe ovog proizvoda, pridržavajte se osnovnih mera predostrožnosti, uključujući sledeće:

INSTALACIJA

- Koristite ovaj uređaj samo za predviđenu svrhu.
Ovaj proizvod nije namenjen za čuvanje preciznih instrumenata, posuđa ili umetničkih dela.
- Nikada ne isključujte uređaj povlačenjem kabla za napajanje. Uvek čvrsto uhvatite utikač i izvucite ga direktno iz utičnice.
- Nemojte koristiti uređaj na mestima gde se koriste hemikalije.
Hemikalije i rastvarači rastvoreni u vazduhu mogu izazvati deformaciju i curenje,
- Isključite odvlaživač i izvucite utikač pre čišćenja. Sačekajte da se ventilator zaustavi.
- Ne koristite odvlaživač bez filtera.
Upotreba proizvoda bez filtera može dovesti do skraćanja životnog veka proizvoda, strujnog udara ili povrede.

RAD

- Nemojte koristiti proizvod za čuvanje životinja/biljaka, preciznih instrumenata, umetničkih dela itd.
- Ne stavljajte nikakve predmete na odvlaživač.
- Isključite odvlaživač i ispraznite kofu za vodu pre pomeranja odvlaživača.
- Izvucite utikač ako nećete koristiti uređaj duže vreme.
- Nemojte koristiti uređaj u veoma malom prostoru kao što je ormar.
Loša ventilacija može dovesti do pregrevanja.
- Nemojte koristiti vosak, razređivač ili jak deterdžent za čišćenje. Obrišite uređaj mekom krpom.
- Nemojte koristiti uređaj na direktnoj sunčevoj svetlosti ili kiši.
- Ne dodirujte uređaj mokrim rukama.
- Postavite uređaj na čvrstu, stabilnu površinu.
- Uklonite kablovske vezice i produžite kabl za napajanje pre upotrebe.
- Nemojte prskati strane supstance ili vodu po proizvodu.

SAČUVAJTE OVA UPUTSTVA

SKLADIŠTENJE I ODLAGANJE JEDINICE

- Odložite ovaj uređaj u skladu sa saveznim i lokalnim propisima.
- Rashladna sredstva se moraju izvaditi pre odlaganja.
- Reciklirajte ili odložite ambalažni materijal proizvoda na ekološki prihvatljiv način.
- Da biste izbegli oštećenje kompresora, nikada nemojte skladištiti ili isporučivati uređaj naopako ili bočno.

ZAHTEVI ZA INSTALIRANJE

Električni zahtevi

UPOZORENJE



Opasnost od električnog udara

Uvek uključite u uzemljenu trostruku utičnicu.

Ne uklanjajte zupčanik za uzemljenje.

Nemojte koristiti adapter.

Nemojte koristiti produžni kabl.

Nepoštovanje ovih uputstava može dovesti do smrti, požara ili strujnog udara.

Specifični električni zahtevi navedeni su u grafikonu u nastavku. Pridržavajte se zahteva za tip utikača na kablju za napajanje.

Zahtevi za napajanje



- 220-240 V ~ / 50 Hz
- 15 A osigurač sa vremenskim odlaganjem ili prekidač

Preporučeni način uzemljenja

Ovaj odvlaživač mora biti uzemljen. Ovaj odvlaživač je opremljen kablom za napajanje koji ima trokraki uzemljeni utikač. Utikač mora biti priključen u uzemljenu utičnicu u skladu sa svim lokalnim kodeksima i pravilnicima. Ako utičnica sa uzemljenjem nije dostupna, odgovornost je kupca da kvalifikovani električar postavi pravilno uzemljenu trokraku utičnicu.

Odgovornost kupca je:

- Kontaktirati kvalifikovanog električnog instalatera.
- Da osigura adekvatnu električnu instalaciju u skladu sa nacionalnim električnim kodeksima, ANSI/NFPA 70-poslednje izdanje, i svi lokalnim kodeksima i pravilnicima.

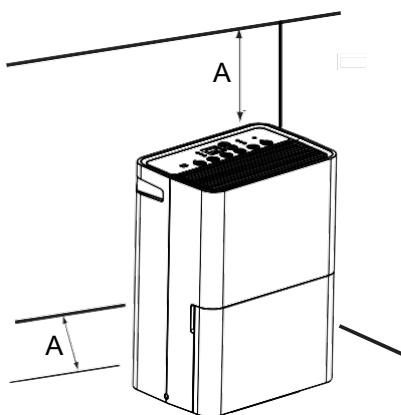
Lokacijski uslovi

UPOZORENJE

Da biste smanjili rizik od povreda lica, kvara ili oštećenja proizvoda ili imovine prilikom upotrebe ovog uređaja, pridržavajte se osnovnih mera predostrožnosti, uključujući sledeće:

NAPOMENA:

- Vaš model se može razlikovati od prikazanog.
- Ovaj uređaj se ne sme koristiti ili držati u skućenom prostoru (podna površina mora biti veća od 5 m²).



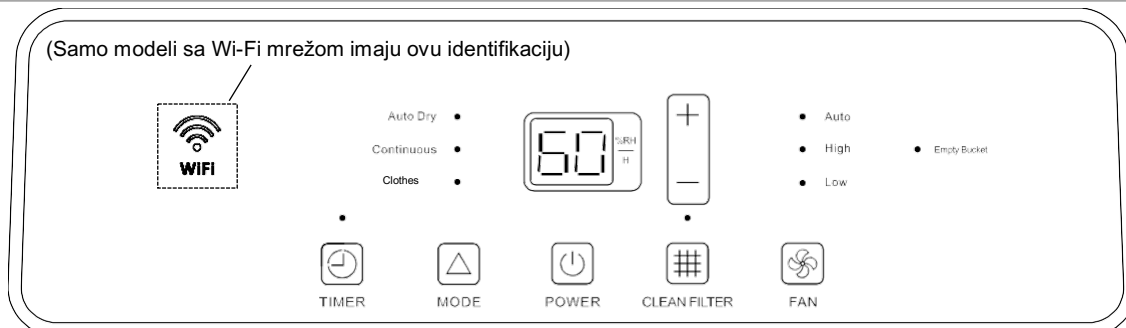
A. 30,5 cm do 45,7 cm

- Ne držite uređaj na otvorenom. Ovaj odvlaživač je namenjen samo za unutrašnju stambenu upotrebu (instalira se, koristi i drži u neograničenom prostoru površine veće od 5m²). Ovaj odvlaživač se ne preporučuje za komercijalnu upotrebu.
- Ostavite najmanje 30,5 cm do 45,7 cm prostora na zadnjoj i bočnim stranama odvlaživača za modele sa zadnjim otvorima i iznad odvlaživača za modele sa gornjim otvorima.
- Trebaće vam dovoljno čvrsta površina da izdrži odvlaživač. Ne postavljajte na tepih. Uverite se da je odvlaživač čvrsto postavljen pre nego što počne da radi, sprečite pomeranje.
- Trebaće vam nivo površine dovoljan da spreči prosipanje vode kada je kofa puna vode.
- Nemojte blokirati otvore uređaja.
- Nikada ne koristite ovaj odvlaživač na području gde je verovatno da će se akumulirati stajaća voda. Ako dođe do toga, bezbedno isključite napajanje pre nego što uđete u vodu.
- Isključite odvlaživač, izvucite kabl za napajanje i ispraznite kofu pre pomeranja jedinice sprečite curenje vode ili strujni udar.

UPOTREBA ODVLAŽIVAČA VAZDUHA

Podešavanje kontrola

Kontrolna tabla



NAPOMENA:

- Zadana vrednost je relativna vlažnost: niža je suvlja, viša je manje suva.
- Kontrolna tabla vašeg modela može se razlikovati od gore prikazane.

Pokretanje/zaustavljanje odvlaživača

UPOZORENJE

Odvlaživač treba da bude u ispravnom položaju najmanje 2 sata pre upotrebe.

UPOZORENJE

Ne izvlačite kofu sa vodom tokom normalnog rada, u suprotnom može doći do rizika od strujnog udara. Ako želite da premestite odvlaživač, uverite se da ste prvo izvukli utikač.

NAPOMENA:

- Pre uključivanja odvlaživača, uverite se da je kofa prazna i da je postavljena do kraja u odvlaživaču.
- Svaki put kada isključite odvlaživač ili se napajanje prekine, komande će se vratiti na prethodna podešavanja kada se napajanje vrati.
- Prikazana vlažnost je između 30 % relativne vlažnosti i 90 % relativne vlažnosti.
- Vlažnost se može podesiti između 30 % relativne vlažnosti i 80 % relativne vlažnosti.
- Važno je da podesite željeni nivo vlažnosti na dostižan nivo. Da bi se obezbedila energija-efikasan rad, koristite odvlaživač samo u zatvorenom prostoru, bez otvorenih prozora ili drugih izvora vlažnog vazduha (kako bi se izbegao neprekidan rad).
- Radna temperatura je između 5 °C i 32 °C. Radna vlažnost je između 30 % RH i 80 % RH. Na temperaturama od 5 °C ili manjim, voda se smrzava unutar uređaja. Na temperaturama iznad 32 °C, unutrašnja temperatura uređaja aktivira zaštitni uređaj koji deaktivira uređaj kako bi se izbeglo njegovo oštećenje.
- Kompresor ima odgodu od 3 minute pre ponovnog pokretanja. Ako se uređaj zaustavi i odmah ponovo pokrene, radi zaštite kompresora postoji odlaganje od 3 minuta dok se kompresor ponovo ne pokrene.

- Kada odvlaživač radi, unutrašnja temperatura će porasti. Odvlaživač nema funkciju hlađenja /grejanja. Toplota se generiše tokom rada, tako da sobna temperatura može da se poveća za oko 5° C u zavisnosti od uslova upotrebe (unutrašnja temperatura, veličina prostorije).



UPOZORENJE



Opasnost od električnog udara

Uvek uključite u uzemljenu trostruku utičnicu.

Ne uklanjajte zupčanik za uzemljenje.

Nemojte koristiti adapter.

Nemojte koristiti produžni kabl.

Nepoštovanje ovih uputstava može dovesti do smrti, požara ili strujnog udara.

1. Uključite u uzemljenu utičnicu sa tri rupe.
2. Pritisnite POWER da biste uključili odvlaživač.
3. Pritisnite FAN (VENTILATOR) da biste izabrali brzinu ventilatora.
4. Pritisnite MODE da biste izabrali režim rada (Automatski/Kontinuirani/Sušenje garderobe/Ručni).
5. Pritisnite taster plus ili minus da biste podesili nivo vlažnosti u režimu ručnog podešavanja.
6. Pritisnite POWER da biste isključili odvlaživač.



NAPOMENA:

U slučaju nestanka ili prekida napajanja, odvlaživač će se automatski ponovo pokrenuti, u poslednjim korišćenim postavkama, nakon što se napajanje vrati.

Brzina ventilatora

1. Pritisnite FAN (VENTILATOR) da biste izabrali brzinu ventilatora.
2. Izaberite Low, High ili Auto (niska, visoka ili automatska brzina).



- Low (niska brzina) - dostignite željenu postavku vlažnosti sa nižim nivoom zvuka.
- High (visoka brzina) - brže dostiže željenu vlažnost.
- Auto (automatska brzina) postiže željenu vlažnost pri normalnoj brzini.

NAPOMENA:

Kada relativna vlažnost prostorije dostigne željenu postavku, kompresor će se zaustaviti i ventilator će se periodično isključivati. Ventilator može povremeno da se uključi, da bi očitao nivo vlažnosti, bez rada kompresora.

Režim željene vlažnosti

1. Pritisnite MODE da biste izabrali željeno podešavanje vlažnosti.
 - Automatski režim rada: svetlo automatskog rada je uključeno.
 - Kontinuirani režim rada: svetlo kontinuiranog rada je uključeno.
 - Režim sušenja garderobe: svetlo za sušenje garderobe je uključeno.
 - Režim ručnog podešavanja: svetlo automatskog i kontinuiranog rada kao i svetlo za sušenje garderobe su isključeni.



2. Izaberite automatski ili kontinuirani režim rada, režim sušenja garderobe ili ručno podešavanje.
 - Automatsko sušenje: Odvlaživač će raditi samo u suvom režimu. Brzina ventilatora se podešava automatski. Željena vlažnost se automatski podešava na 50 %.
 - Kontinuirano: Odvlaživač će raditi neprekidno. Brzina ventilatora se može podesiti. Željena vlažnost se ne može podesiti.
 - Sušenje garderobe: odvlaživač radi u režimu jakog odvlaživanja i automatski suši odeću u skladu sa stvarnom vlažnošću u prostoriji. Na kraju postupka sušenja, režim sušenja će se automatski isključiti i indikator za sušenje odeće će početi da treperi. Kada ponovo pritisnete taster „mode“ (režim rada), ponovo ćete ući u režim sušenja i indikator režima će se promeniti od treperenja do uključivanja. Željena vlažnost se ne može podesiti.
 - Ručno podešavanje: Odvlaživač će raditi na izabranoj brzini ventilatora do podešenog nivoa vlažnosti. Ako je nivo vlažnosti u prostoriji veći od željenog, kompresor će se uključiti. Ako je nivo vlažnosti u prostoriji niži od željenog, kompresor će se isključiti, kao i ventilator.

NAPOMENA:

Funkcija odleđivanja će isključiti kompresor ako dođe do stanja niske temperature. Kada uređaj za odmrzavanje oseti ispravnu radnu temperaturu; kompresor će se ponovo uključiti. Određeno zamrzavanje je normalno kada se odvlaživači koriste na niskim temperaturama.

Lampica pražnjenje kofe

Ako je ova lampica uključena, ventilator i kompresor će

prestati da rade. Ova lampica označava da treba da proverite:

- Ako je kofa puna, ispraznite je i ponovo stavite.
- Ako kofa nije na mestu, izvadite je i ponovo postavite. Proverite da li kofa do kraja staje u odvlaživač i da li je oznaka za kofu isključena ili odvlaživač neće raditi.

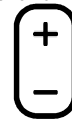
Uključivanje/Isključivanje

Pritisnite POWER (Uključivanje/Isključivanje) da biste uključili ili isključili odvlaživač.



Nivo vlažnosti

1. Pritisnite taster plus ili minus da biste podesili željeni nivo vlažnosti. Željena vlažnost će treperiti na ekranu 5 sekundi nakon rada.



2. Stvarna vlažnost u prostoriji će se prikazati nakon 5 sekundi treperenja željene vlažnosti.

NAPOMENA:

Vlažnost se može podesiti samo ručno u režimu ručnog podešavanja. U kontinuiranom i automatskom režimu rada, nivo vlažnosti se podešava automatski.

Ekran

Ekran prikazuje relativnu vlažnost ili vreme (u zavisnosti od podešavanja).

1. Kada odvlaživač radi u ručnom režimu, na ekranu se prikazuje relativna vlažnost prostorije.
2. Kada je izabran tajmer, na ekranu se prikazuje vreme kada će se odvlaživač uključiti ili isključiti, u zavisnosti od postavke.



NAPOMENA:

Prikazana vlažnost služi samo kao referenca. Za tačnu vlažnost proverite higrometar.

Tajmer

Da biste podesili tajmer odgodu od 30 minuta do 24 časa pre nego što se odvlaživač isključi (odvlaživač mora biti uključen):

1. Pritisnite TAJMER. Indikator tajmera će se upaliti i ekran će zatreperiti. Na ekranu će se prikazati preostalo vreme pre nego što se odvlaživač isključi.



2. Pritisnite taster plus ili minus da biste promenili vreme odlaganja, od 30 minuta do 24 časa.

Da biste podesili tajmer da uključi odvlaživač, sa prethodnim podešavanjem:

1. Isključite odvlaživač.
2. Pritisnite TAJMER. Indikator tajmera će treperiti. Na ekranu će se prikazati preostalo vreme pre nego što se odvlaživač uključi.
3. Pritisnite taster plus ili minus da biste promenili vreme odlaganja, od 30 minuta do 24 časa.

Da biste obrisali program odlaganja tajmera:

NAPOMENA: Odvlaživač može biti uključen ili isključen.

1. Pritisnite TAJMER jednom nakon što je programiran. Na ekranu će se prikazati preostalo vreme.
2. Dok se na ekranu prikazuje preostalo vreme, ponovo pritisnite TAJMER. Indikator tajmera će se isključiti.

Da biste videli preostalo vreme.

Pritisnite TAJMER jednom nakon što je programiran. Na ekranu će se prikazati preostalo vreme.

NAPOMENA:

Ispraznite kofu za odvod vode pre podešavanja funkcije tajmera. Ako se kofa za vodu napuni tokom funkcije tajmera, lampica indikatora Ispraznite kofu se pali i odvlaživanje se zaustavlja.

Čišćenje filtera

1. Kada lampica indikatora za čišćenje filtera zasvetli, uklonite, očistite i zamenite filter za vazduh. Pogledajte „Čišćenje filtera za vazduh“.
2. Pritisnite taster Clean Filter (Čišćenje filtera) da biste resetovali praćenje filtera.



NAPOMENA:

Kada je lampica uključena, ostaće uključena 180 sati ili dok ne pritisnete dugme za čišćenje filtera.

Pražnjenje odvlaživača

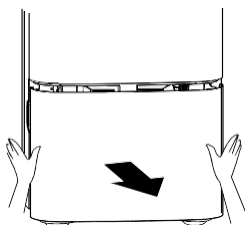
⚠ UPOZORENJE

Opasnost od bolesti
Nemojte piti vodu sakupljenu u kanti za vodu.
To može dovesti do bolesti.

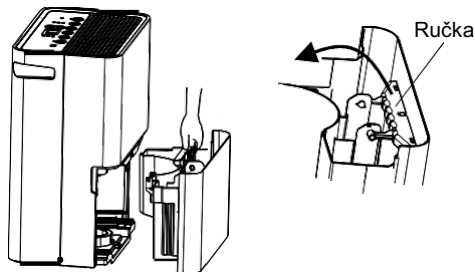
Opcija 1 Pražnjenje kofe

Ako podni odvod nije moguć ili ne planirate da neprekidno koristite odvlaživač, možda ćete želeći da jednostavno ispraznite kofu.

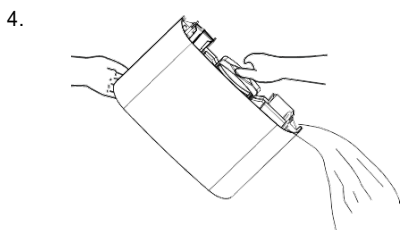
1. Uхватite strane kofe da biste izvukli kofu.



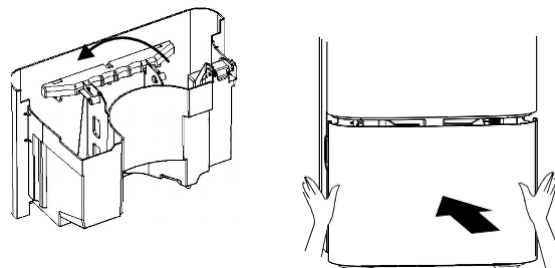
2. Podignite kofu za ručku.



3. Sipajte vodu u sudoperu ili kadu.



Spustite ručku i ponovo postavite kofu.



VAŽNO:

Ako se upali lampica Ispraznite kofu, odvlaživač neće raditi. Možda će biti potrebno isprazniti ili ponovo postaviti kofu.

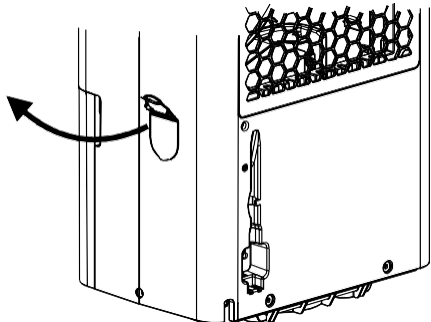
NAPOMENA:

- Ako se kofa za vodu ukloni odmah nakon isključivanja odvlaživača, preostala voda u izmenjivaču toplote može da kapa unutar prostora za skladištenje kofe za vodu. Uklonite vodu mekom krpom.
- Tokom čišćenja, ne dodirujte plovak za nivo vode.
- Očistite kofu za vodu jednom nedeljno tokom upotrebe.
- Ako je temperatura okoline niska, postoji manje vlage u vazduhu za uklanjanje kofe.
- Isključite uređaj iz utičnice pre uklanjanja kofe za vodu. Ako se kofa ukloni dok uređaj radi, kompresor će se zaustaviti.

Opcija 2 Gravitaciono odvodnjavanje

Ako planirate da neprekidno koristite svoj odvlaživač, možete da izaberete direktno odvodnjavanje tako što ćete pričvrstiti baštensko crevo do jedinice.

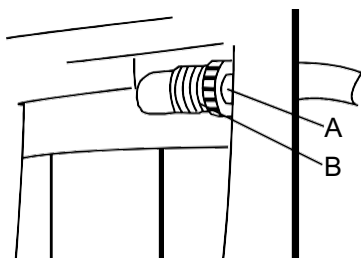
1. Isključite odvlaživač i izvucite kabl za napajanje.
2. Otkrijte poklopac priključka na bočnoj strani uređaja.



3. Uklonite kofu.
4. Pričvrstite baštensko crevo na priključak odvodnog creva sa unutrašnje strane odvlaživača. Čvrsto pričvrstite crevo kako biste bili sigurni da nema curenja vode.

NAPOMENA:

- Baštensko crevo se prodaje odvojeno.
- Unutrašnji prečnik odvodnog creva treba da bude veći od 12,7 mm.
- Priključak je namenjen samo za baštenska creva u Severnoj Americi.



A. Baštensko crevo
B. Priključak odvodnog creva

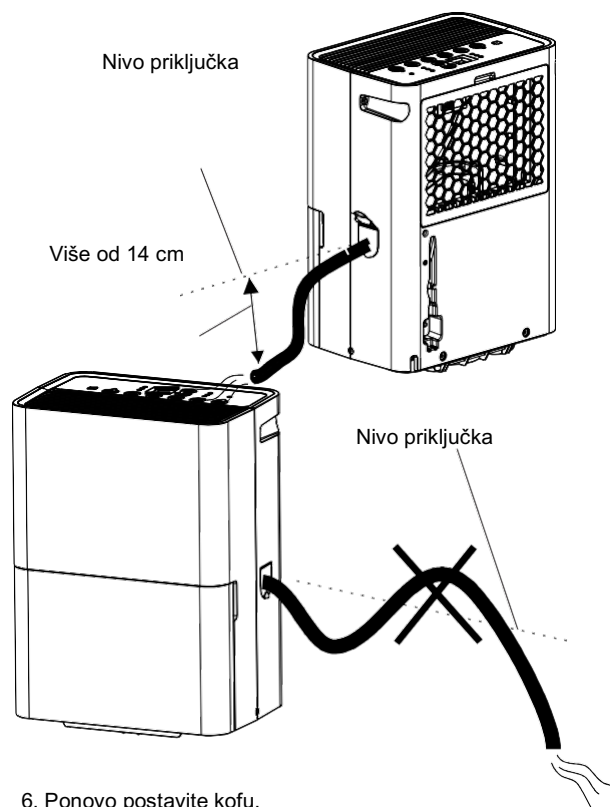
VAŽNO:

U Severnoj Americi priključci baštenskog creva su prečnika 3/4 ravnog (nekonusnog) navoja sa korakom od 4.52 po cm (muški deo ima vanjski prečnik od 26.99mm).

UPOZORENJE

Pazite da ne povredite ruke prilikom povezivanja sa crevom.

5. Stavite drugi kraj baštenskog creva u podni odvod. Proverite da li crevo leži ravno i da li je u odvodu. Uverite se da su svi delovi creva na nižem nivou od priključka creva na odvlaživaču. Takođe, izlaz creva treba da bude najmanje 14 cm niže od priključka creva. Crevo ne sme biti savijeno ili stegnuto.



6. Ponovo postavite kofu.

NAPOMENA:

- Da biste koristili kofu bez baštenskog creva, jednostavno uklonite baštensko crevo, a zatim ponovo postavite kofu.
- Kofa mora biti postavljena i pravilno poravnata da bi odvlaživač radio sa ili bez priključenog baštenskog creva.

Normalni zvukovi

Kada vaš odvlaživač radi normalno, možete čuti zvukove kao što su:

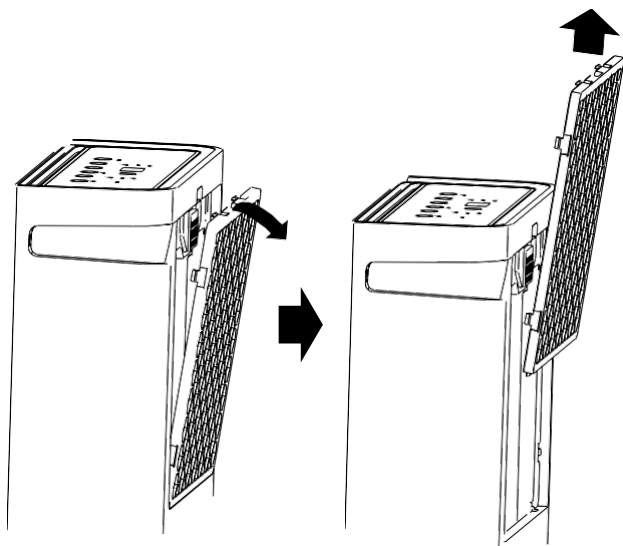
- Zvukovi kompresora, koji mogu biti glasni.
- Kretanje vazduha iz ventilatora.
- Klik se oglašava kada se odvlaživač ili kompresor uključuje i isključuje i kada radi prekidač za automatsko isključivanje.

BRIGA O ODVLAŽIVAČU

Vaš novi odvlaživač vazduha je dizajniran da vam pruži dugogodišnju pouzdanu uslugu. Ovaj odeljak objašnjava kako da očistite i održavate svoj odvlaživač.

Da biste izbegli oštećenje kompresora, nikada nemojte skladištiti ili isporučivati uređaj naopako ili bočno.

Čišćenje filtera za vazduh



Filter za vazduh se može ukloniti radi lakšeg čišćenja. Čist filter pomaže u uklanjanju prašine, vlakana i drugih čestica iz vazduha i važan je za najbolju operativnu efikasnost. Proverite filter svake dve nedelje da biste videli da li je potrebno čišćenje.

1. Isključite odvlaživač.
2. Uklonite filter za vazduh.
3. Koristite usisivač za čišćenje filtera za vazduh ako je filter za vazduh prljav, operite ga u toploj vodi sa blagim deterdžentom.
4. Ponovo postavite filter za vazduh.
5. Uključite odvlaživač.

NAPOMENA:

Nemojte prati filter za vazduh u mašini za pranje sudova niti koristiti bilo koje hemijsko sredstvo za čišćenje. Filter dobro osušite na vazduhu pre ponovne instalacije kako bi se osigurala maksimalna radna efikasnost.

Čišćenje odvlaživača

Spoljašnjost

1. Isključite odvlaživač i izvucite kabl za napajanje.
2. Obrišite površinu uređaja mekom krpom ili priključkom za prašinu vašeg usisivača.

Kofa za vodu

Svakih nekoliko nedelja isperite unutrašnjost kofe za vodu blagim deterdžentom kako biste izbegli rast buđi, plesni i bakterija.

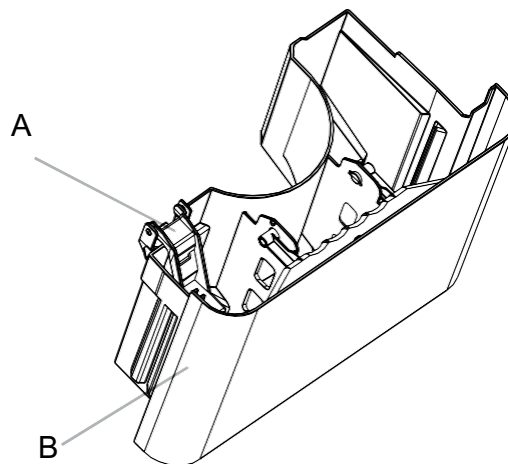
Plovak za nivo vode

Kofa za vodu odvlaživača ima plovak za nivo vode. Nemojte oštetiti ili ukloniti plovak za nivo vode u kofi. Ako plovak nije pravilno postavljen, upaliće se lampica Ispraznite kofu, što će zaustaviti

rad i može dovesti do curenja.

NAPOMENA:

Proverite da li je plovak pravilno postavljen na mestu.



- A. Plovak za nivo vode
B. Kofa


REŠAVANJE PROBLEMA

Pre nego što pozovete servis, isprobajte predloge u nastavku.

Odvlaživač ne radi

- Da li je odvlaživač uključen? Uključite odvlaživač.

⚠ UPOZORENJE



Opasnost od električnog udara

Uvek uključite u uzemljenu trostruku utičnicu.
Ne uklanjajte zupčanik za uzemljenje.
Nemojte koristiti adapter.
Nemojte koristiti produžni kabl.
Nepoštovanje ovih uputstava može dovesti do smrti, požara ili strujnog udara.

- Da li je kabl za napajanje uključen u uzemljenu utičnicu sa tri rupe?
Uključite u uzemljenu utičnicu sa tri rupe.
Pogledajte „Električni zahtevi“ na strani 12.
- Da li je iskočio osigurač u domaćinstvu ili se aktivirao prekidač strujnog kola?
Zamenite osigurač ili resetujte prekidač. Ako se problem nastavi, pozovite električara. Pogledajte „Električni zahtevi“ na strani 12.

- Da li je kofa pravilno postavljena?
Ponovo postavite kofu tako da do kraja uđe u odvlaživač.
- Da li kofu treba isprazniti? Ispraznite kofu.
- Da li je plovak za nivo vode na mestu?
Uklonite kofu. Proverite da li je plovak na mestu. Ponovo postavite kofu.
- Odvlaživač je iznenada prestao da radi i neće da se uključi?
Proverite da li je napajanje povezano i da li je kofa na mestu. Ako uređaj i dalje ne radi, pozovite Hisense za garantni servis.

Odvlaživač radi, ali ne odvlažuje

- Svi modeli imaju funkciju automatskog odleđivanja koja će isključiti kompresor i omogućiti rad ventilatora. Kada funkcija odleđivanja detektuje ispravnu radnu temperaturu, kompresor će se ponovo uključiti.
- Filter je prljav ili začepljen. Očistite filter.

Vazduh koji dolazi iz odvlaživača je topao

- Odvlaživač će ispuštati topli vazduh u normalnim radnim uslovima.

Odvlaživač prikazuje šifre grešaka

- Ako odvlaživač prikazuje šifru greške, obratite se Hisense korisničkoj službi.

KOLO DIJAGRAM

