

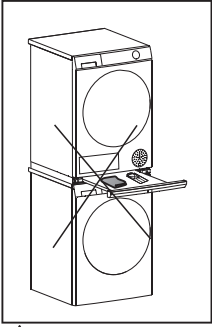
Installation Instructions

Installation guides:

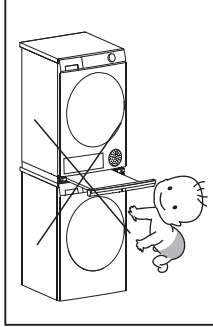
⚠ In case of stack installation, do not place the washing machine on a platform higher than the ground to prevent dumping and falling.

1. Do not skid the screws, you must use attachment screws to prevent it from being unable to match after replacement;
2. During installation, two people must work together and keep a certain distance with the wall;
3. Pay attention to prevent the bracket wooden board from falling out of injury;
4. Must use the attached screw, not own.

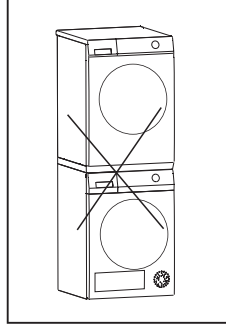
Note: the pictures shown are schematic diagrams.



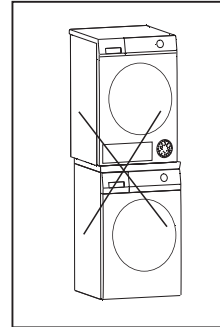
⚠ Bearing capacity exceeding 18kg is not allowed for the support.



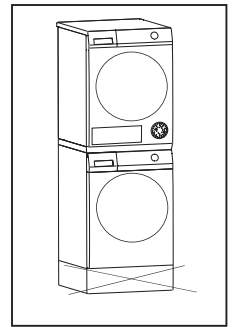
⚠ Children are not allowed to climb



⚠ Do not place washing machine on top

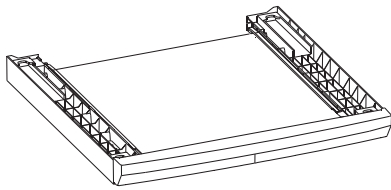


⚠ Installation in a staggered manner is not allowed



⚠ Do not use base for washing machine

Packing list



..... Support × 1



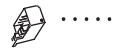
..... Left fixing clip × 1



..... Foot accessory × 4



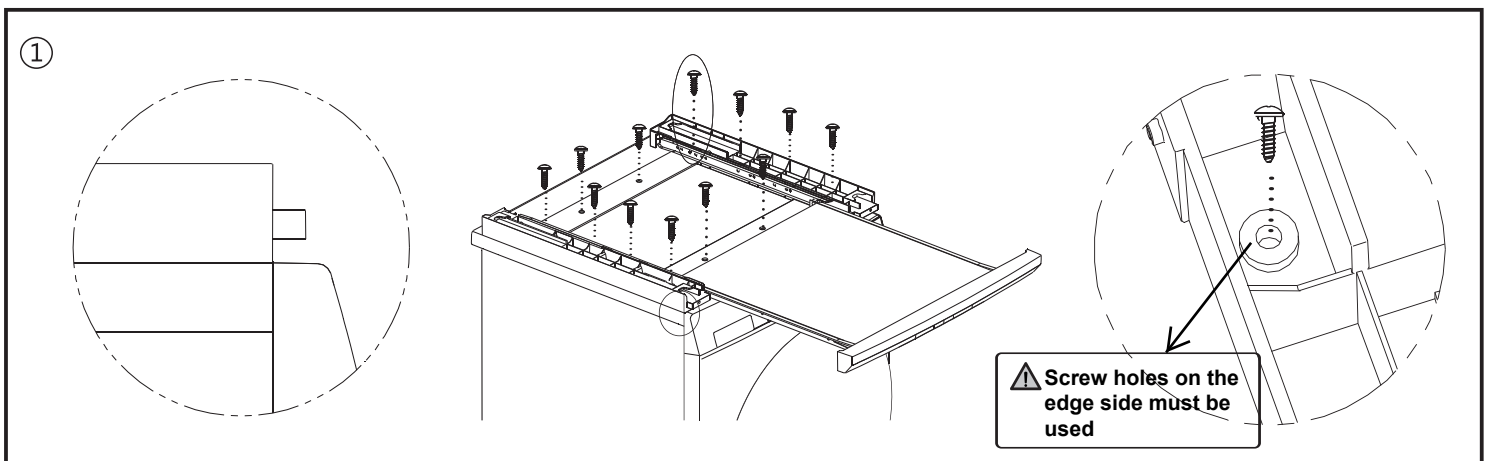
..... Round head screw × 14



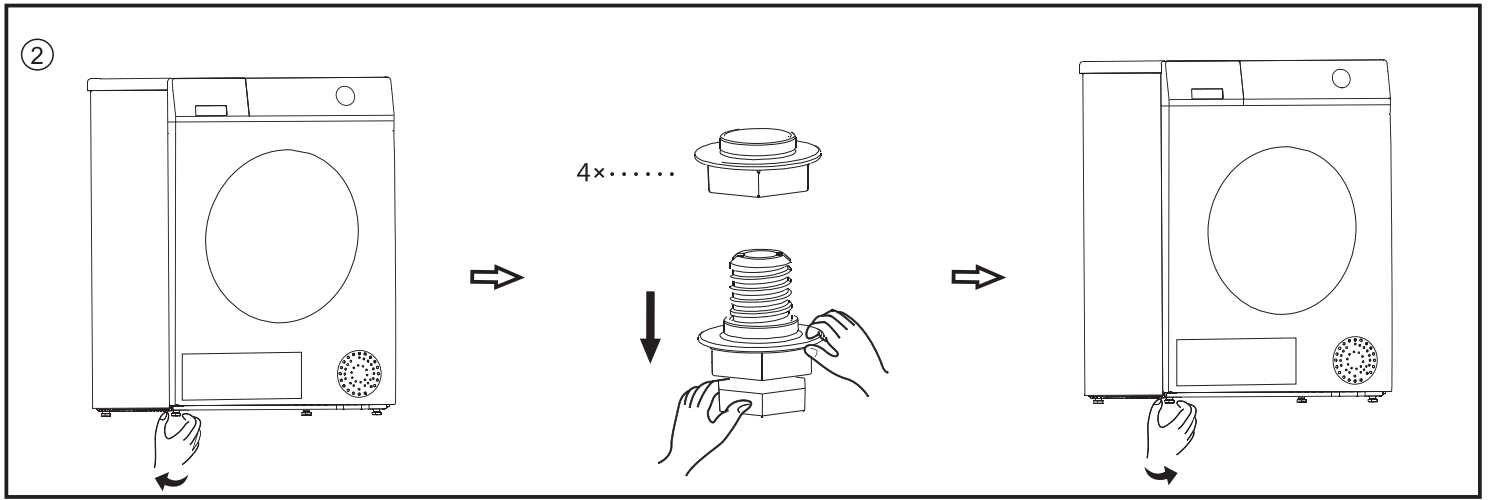
..... Right fixing clip × 1



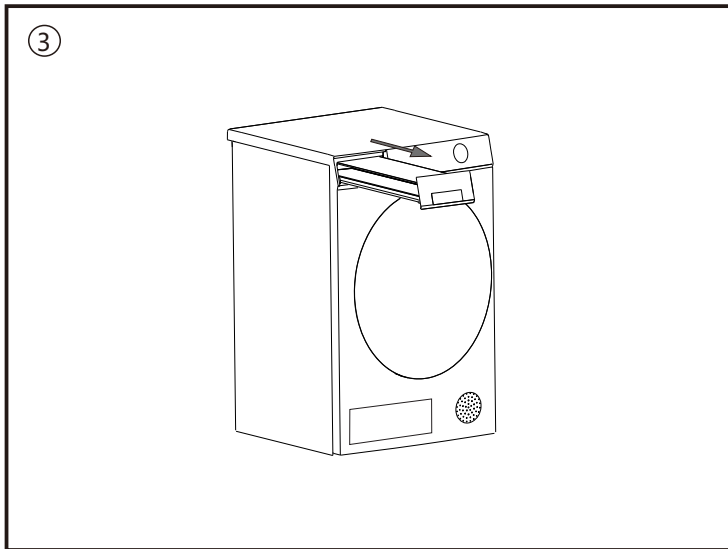
..... Instruction × 1



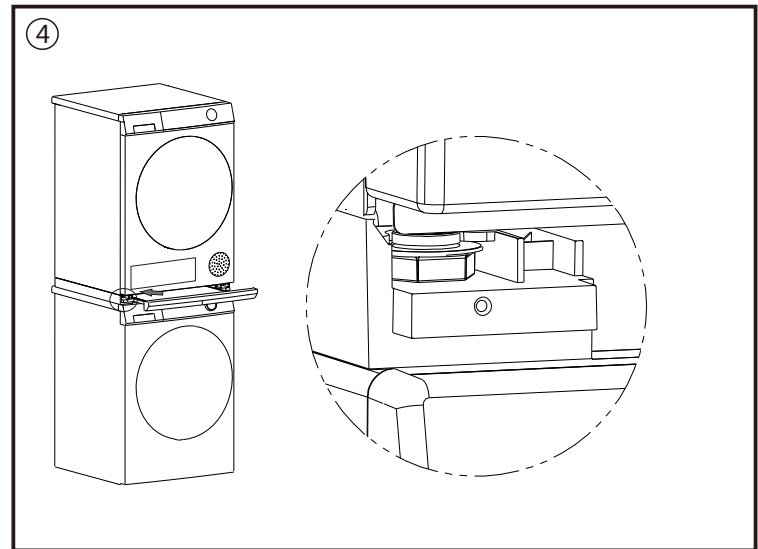
1. Place the support horizontally on the top cover of the washing machine, and align the front end of the support with the side plate seam as the enlarged view on the left; then, fix the left and right supports with 4 round head screws respectively as the enlarged view on the right, draw the drawer out to the maximum distance, to reveal the two connecting supports in the middle, and then fix them with 2 round head screws respectively.



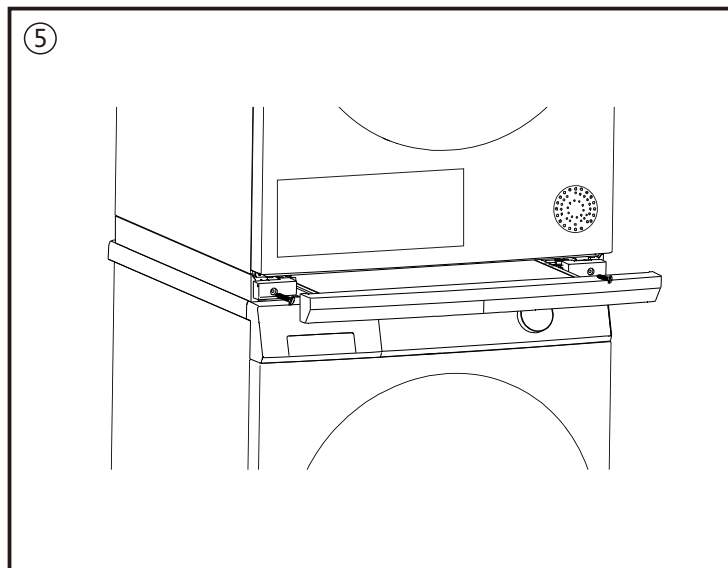
2. Unscrew the 4 feet of the clothes dryer, insert the 4 foot accessories into the feet as shown in the figure, and then reinstall the feet in place.



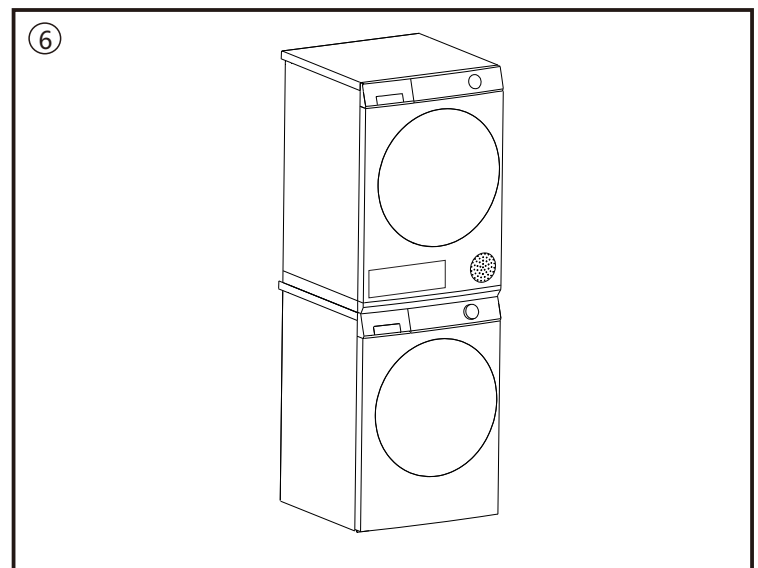
3. Draw the water box, and empty it if there is residual condensate water in it. (This step can be ignored for new machines)



4. Lift the clothes dryer and place it on the dedicated support, push the 4 feet in the direction of the arrow shown in the figure to clip the feet into the U-shaped slot of the support.



5. Install the left and right fixing clips on the left and right supports respectively as shown in the figure, and then fix them with 2 round head screws.



6. Check whether the whole machine is firmly installed.

After installation, you can use an attachment drain pipe to increase the drainage pipe floor drain or water box drainage with water box. After installation, you can use an attachment drain pipe to increase the drainage pipe floor drain or pick up water with water boxes.