

Hisense



USER'S OPERATION MANUAL

English

Thank you for choosing our appliance. We are sure you will find your new refrigerator a pleasure to use. However, before you use the appliance, we recommend that you carefully read the instructions, which provide details about installing and using the product. Please keep this manual for future reference.

Contents

Safety and warning information.....	3
Installing your new appliance.....	12
Appliance Description	16
Control Panel.....	17
Using your appliance.....	19
Helpful hints and tips.....	23
Cleaning and Care.....	24
Troubleshooting.....	26
Disposal of the appliance	27

Safety and warning information

Your safety and the safety of others are very important.

We have provided many important safety messages in this manual and on your appliance. Always read and obey all safety messages.



This is the safety alert symbol.

This symbol alerts you to potential hazards that can kill or hurt you and others. All safety messages will follow the safety alert symbol and either the word "DANGER," "WARNING" or "CAUTION."

These words mean:

DANGER

An imminently hazardous situation. You could be killed or seriously injured if you don't immediately follow

WARNING

A potentially hazardous situation which, if not avoided, could result in death or serious bodily injury.

CAUTION

A potentially hazardous situation which, if not avoided, may result in moderate or minor injury.

All safety messages will tell you what the potential hazard is, tell you how to reduce the chance of injury, and tell you what can happen if the instructions are not followed.



Safety and warning information

For your safety and correct usage, before installing and first using the appliance, read this user manual carefully, including its hints and warnings. To avoid unnecessary mistakes and accidents, it is important to make sure that all people using the appliance are thoroughly familiar with its operation and safety features. Save these instructions and be sure that they remain with the appliance if it is moved or sold, so that anyone using it throughout its life, will be properly informed on its usage and safety notices.

For the safety of life and property, keep the precautions of these user's instructions as the manufacturer is not responsible for damages caused by omission.

Safety for children and others who are vulnerable people

➤ According to EN standard

This appliance can be used by children aged from 8 years and above and persons with reduced physical, sensory or mental capabilities or lack of experience and knowledge if they have been given supervision or instruction concerning use of the appliance in a safe way and understand the hazards involved. Children shall not play with the appliance. Cleaning and user maintenance shall not be made by children without supervision. Children aged from 3 to 8 years are allowed to load and unload refrigerating appliances.

➤ According to IEC standard

This appliance is not intended for use by persons (including children) with reduced physical sensory or mental capabilities, or lack of experience and knowledge, unless they have been given supervision or instruction concerning use of the appliance by a person responsible for their safety.

- Children should be supervised to ensure that they do not play with the appliance.
- Keep all packaging away from children as there is risk of suffocation.
- If you are discarding the appliance, pull the plug out of the socket, cut the connection cable (as close to the appliance as you can) and remove the door to prevent children playing from suffering an electric shock or from closing themselves inside it.
- If this appliance, featuring a magnetic door seals, is to replace an older appliance having a spring lock (latch) on the door or lid, be sure to make the spring lock unusable before you discard the old appliance. This will prevent it from becoming a death trap for a child.



General safety

- **WARNING** — This appliance is intended to be used in household and similar applications such as
 - staff kitchen areas in shops, offices and other working environments;
 - farm houses and by clients in hotels, motels and other residential type environments;
 - bed and breakfast type environments;
 - catering and similar non-retail applications.
- **WARNING** — Do not store explosive substances such as aerosol cans with a flammable propellant in this appliance.
- **WARNING** — If the supply cord is damaged, it must be replaced by the manufacturer, its service agent or similarly qualified persons in order to avoid a hazard.
- **WARNING** — Keep ventilation openings, in the appliance enclosure or in the built-in structure, clear of obstruction.
- **WARNING** — Do not use mechanical devices or other means to accelerate the defrosting process, other than those recommended by the manufacturer.
- **WARNING** — Do not damage the refrigerant circuit.
- **WARNING** — Do not use electrical appliances inside the food storage compartments of the appliance, unless they are of the type recommended by the manufacturer.
- **WARNING** — The refrigerant and insulation blowing gas are flammable. When disposing of the appliance, do so only at an authorized waste disposal centre. Do not expose to flame.
- **WARNING** — When positioning the appliance, ensure the supply cord is not trapped or damaged.

- **WARNING** —Do not locate multiple portable socket-outlets or portable power supplies at the rear of the appliance.
- **WARNING** —Food needs to be packed in bags before putting into the refrigerator, and liquids need to be packed in bottles or containers to avoid the problem that the product design structure is not easy to clean.



The symbol is a warning and indicates the refrigerant and insulation blowing gas are flammable.

Warning: Risk of fire / flammable materials

Replacing the illuminating lamps

- **WARNING**—The illuminating lamps must not be replaced by the user! If the illuminating lamps is damaged, contact the customer helpline for assistance. This warning is only for refrigerators that contain illuminating lamps.

Refrigerant

The refrigerant isobutene (R600a) is contained within the refrigerant circuit of the appliance, a natural gas with a high level of environmental compatibility, which is nevertheless flammable. During transportation and installation of the appliance, ensure that none of the components of the refrigerant circuit becomes damaged.

The refrigerant (R600a) is flammable.

- **WARNING** — Refrigerators contain refrigerant and gases in the insulation. Refrigerant and gases must be disposed of professionally as they may cause eye injuries or ignition. Ensure that tubing of the refrigerant circuit is not damage prior to proper disposal.



WARNING: risk of fire

If the refrigerant circuit should be damaged:

- Avoid opening flames and sources of ignition.
- Thoroughly ventilate the room in which the appliance is situated.

It is dangerous to alter the specifications or modify this product in any way.

Any damage to the cord may cause a short circuit, fire, and/or electric shock.



Electrical safety

- The power cord must not be lengthened.
- Make sure that the power plug is not crushed or damaged. A crushed or damaged power plug may overheat and cause a fire.
- Make sure that you can access the main plug of the appliance.
- Do not pull the main cable.
- If the power plug socket is loose, do not insert the power plug. There is a risk of electric shock or fire.
- You must not operate the appliance without the interior lighting lamp cover.
- The fridge is only applied with power supply of single phase alternating current of 220~240V/50Hz. If fluctuation of voltage in the district of user is so large that the voltage exceeds the above scope, for safety sake, be sure to apply A.C. Automatic voltage regulator of more than 350W to the fridge. The fridge must employ a special power socket instead of common one with other electric appliances. Its plug must match the socket with ground wire.

Daily use

- Do not store flammable gas or liquids in the appliance, There is a risk of an explosion.
- Do not operate any electrical appliances in the appliance (e.g. electric ice cream makers, mixers etc.).
- When unplugging always pull the plug from the mains socket, do not pull on the cable.
- Do not place hot items near the plastic components of this appliance.
- Do not place food products directly against the air outlet on the rear wall.
- Store pre-packed frozen food in accordance with the frozen food manufacture's instructions.
- The appliances manufactures storage recommendations should be strictly adhered to. Refer to relevant instructions for storage.
- Do not place carbonated or fizzy drinks in the freeze compartment as it creates pressure on the container, which may cause it to explode, resulting in damage to the appliance.
- Frozen food can cause frost burns if consumed straight from the freezer compartment.
- Do not place the appliance in direct sunlight.
- Keep burning candles, lamps and other items with naked flames away from the appliance so that do not set the appliance on fire.
- The appliance is intended for keeping food stuff and/ or beverages in normal household as explained in this instruction booklet The appliance is heavy. Care should be taken when moving it.

- Do not remove nor touch items from the freezer compartment if your hands are damp/wet, as this could cause skin abrasions or frost/freezer burns.
- Never use the base, drawers, doors etc. to stand on or as supports.
- Frozen food must not be refrozen once it has been thawed out.
- Do not consume ice popsicles or ice cubes straight from the freezer as this can cause freezer burn to the mouth and lips.
- To avoid items falling and causing injury or damage to the appliance, do not overload the door racks or put too much food in the crisper drawers.
- This refrigerating appliance is not intended to be used as a built-in appliance .



Caution! **Care and cleaning**

- Before maintenance, switch off the appliance and disconnect the mains plug from the mains socket.
- Do not clean the appliance with metal objects, steam cleaner, ethereal oils, organic solvents or abrasive cleansers.
- Do not use sharp objects to remove frost from the appliance. Use a plastic scraper.

Installation Important!

- For electrical connection carefully, follow the instructions given in this manual.
- Unpack the appliance and check if there are damages on it. Do not connect the appliance if it is damaged. Report possible damages immediately to the place you bought it. In this case retain packing.

- It is advisable to wait at least four hours before connecting the appliance to allow the oil to flow back in the compressor.
- Adequate air circulation should be around the appliance, lacking this leads to overheating. To achieve sufficient ventilation, follow the instructions relevant to installation.
- Wherever possible the back of the product should not be too close to a wall to avoid touching or catching warm parts (compressor, condenser) to prevent the risk of a fire, follow the instructions relevant to installation.
- The appliance must not be located close to radiators or cookers.
- Make sure that the mains plug is accessible after the installation of the appliance

Service

- Any electrical work required to do the servicing of the appliance should be carried out by qualified electrician or competent person.
- This product must be serviced by an authorized Service Center, and only genuine spare parts must be used.
 1. If the appliance is Frost Free.
 2. If the appliance contains freezer compartment.

To avoid contamination of food, please respect the following instructions

- Opening the door for long periods can cause a significant increase of the temperature in the compartments of the appliance.
- Clean regularly surfaces that can come in contact with food and accessible drainage systems.
- Store raw meat and fish in suitable containers in the refrigerator, so that it is not in contact with or drip onto other food.
- Two-star frozen-food compartments are suitable for storing pre-frozen food, storing or making icecream and making ice cubes.
- One-, two- and three-star compartments are not suitable for the freezing of fresh food.

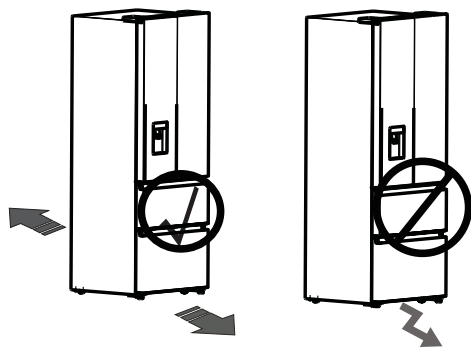
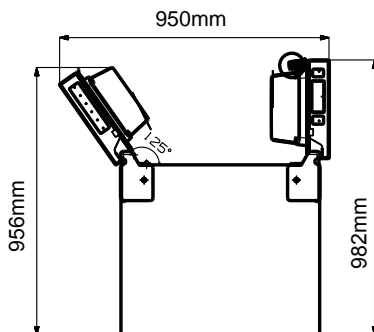
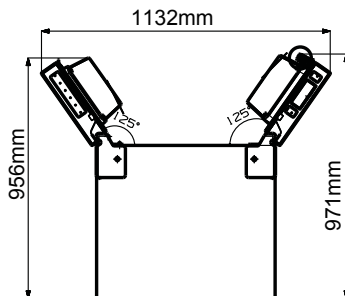
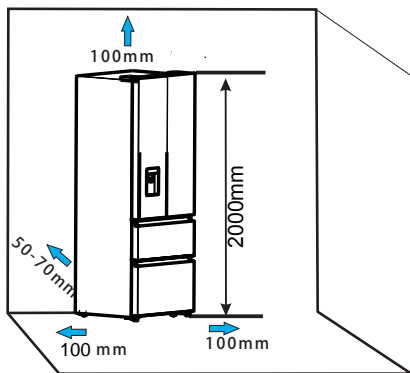
Installing your new appliance

Before using the appliance for the first time, you should be informed of the following tips.

Warning!

For proper installation, this refrigerator must be placed on a level surface of hard material that is the same height as the rest of the flooring. This surface should be strong enough to support a fully loaded refrigerator.

The rollers, which are not castors, should be only used for forward or backward movement. Moving the refrigerator sideways may damage your floor and the rollers.



Ventilation of appliance

In order to improve efficiency of the cooling system and save energy, it is necessary to maintain good ventilation around the appliance for the dissipation of heat. For this reason, sufficient clear space should be available around the refrigerator.

Suggest:

It is advisable for there to be 50-70mm of space from the back to the wall, at least 100mm from its top, at least 100mm from its side to the wall and a clear space in front to allow the doors to open 130°. As shown in follow diagrams.

Note:

- This application perform well from SN to ST. The Appliance may not work properly if it is left for a longer period at a temperature above or below the indicated range.

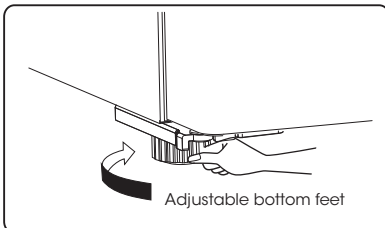
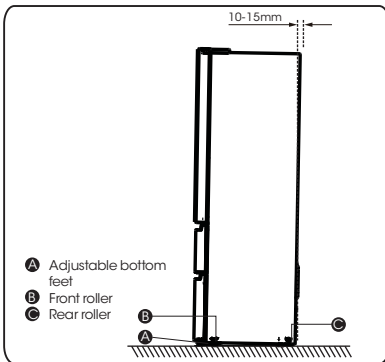
Climate class	Ambient temperature
SN	+10°C to +32°C
N	+16°C to +32°C
ST	+16°C to +38°C
T	+16°C to +43°C

- Stand your appliance in a dry place to avoid high moisture.
- Keep the appliance out of direct sunlight rain or frost. Stand the appliance away from heat sources such as stoves, fires or heaters.

Leveling of appliance

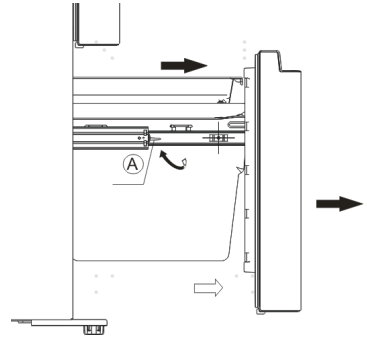
For sufficient leveling and air circulating in the lower rear section of the appliance, the bottom feet may need to be adjusted. You can adjust them manually by hand or by using a suitable spanner.

To allow the doors to self-close, tilt the top backwards by 10-15mm.

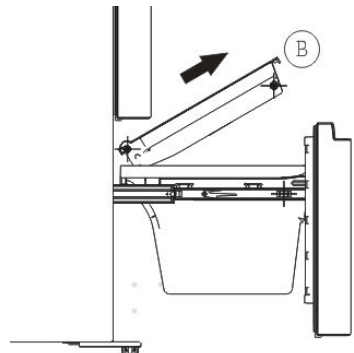


Disassembling the freezer drawer

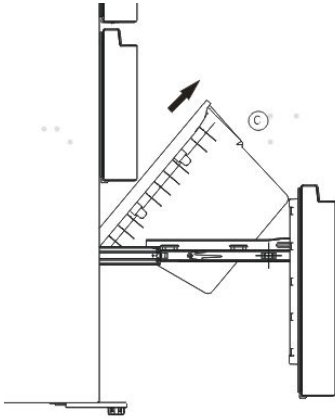
1. The freezer compartment is provided with an upper drawer, a lower drawer, two trays and an ice box;
2. Open the freezer door; Pull up the adjusting block (A) of the slide guides, and pull out the freezer door drawer (A) to the final position.



3. Take out the tray (B) by lifting it up in the direction of the arrow.



4. Remove the lower freezer drawer (C) by lifting it up.

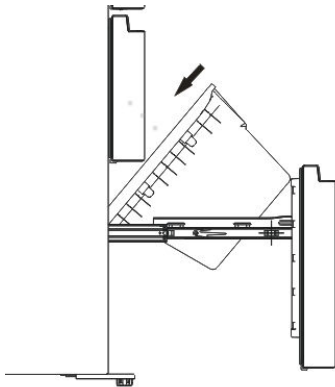


Re-assembling the freezer drawer

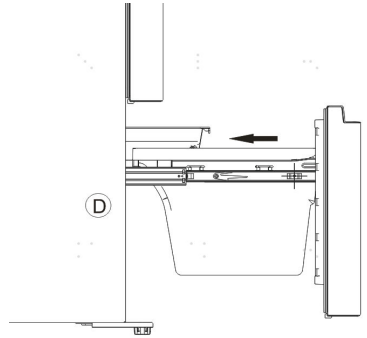
To reattach the drawer after you moved the appliance to its final location, assemble the parts in reverse order.

Installing the lower drawer

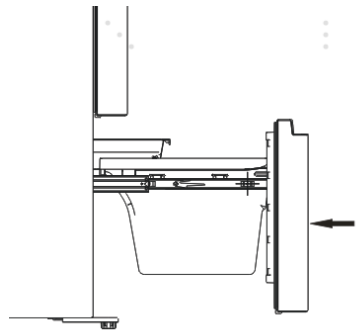
1. Push down the lower drawer to the final position in the direction of the arrow.



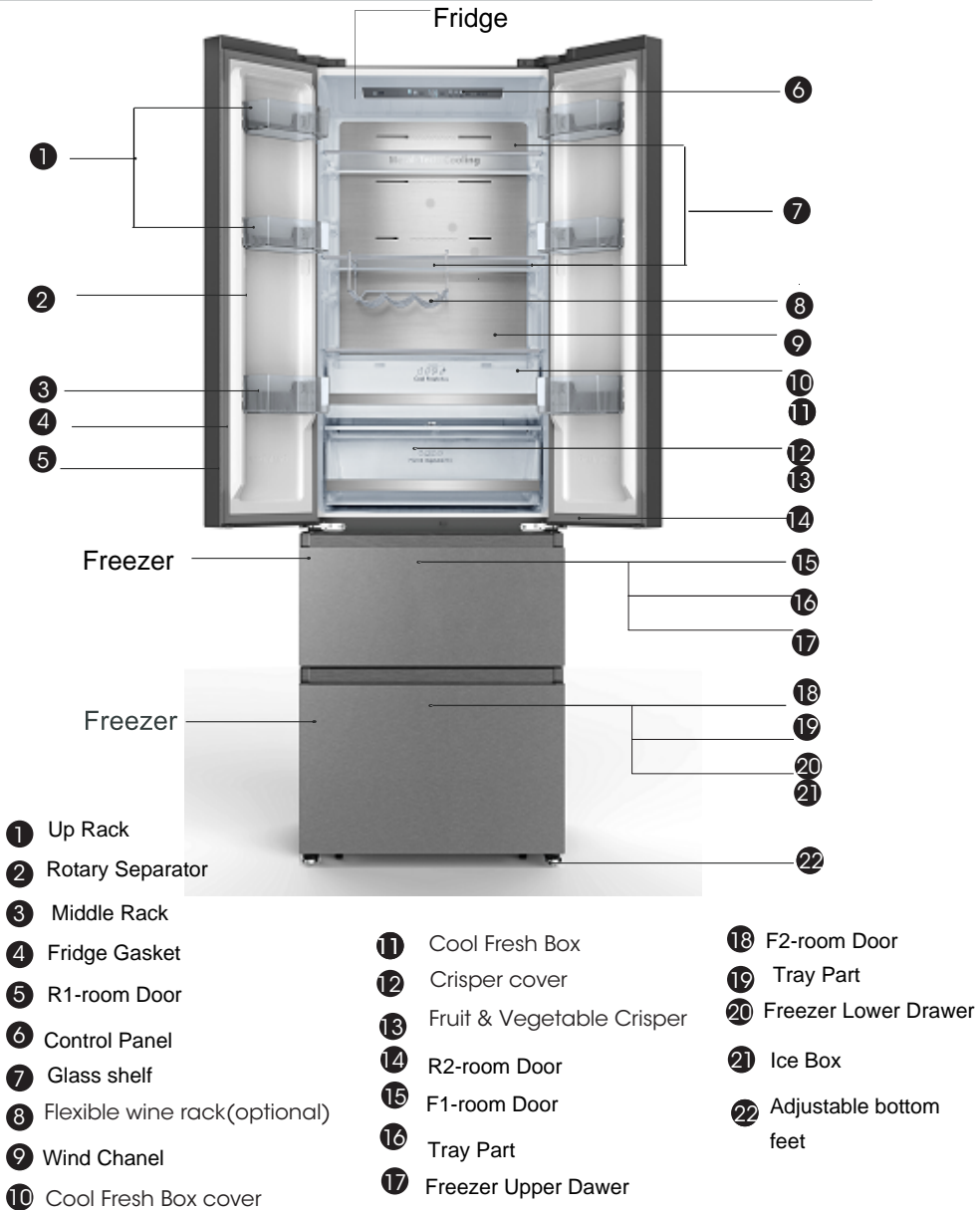
2. Put the tray on the drawer and push it award and ensure the tray's rollers on the freezer liner (D)'s fillets.



3. Push the freezer door along the arrow and close it.



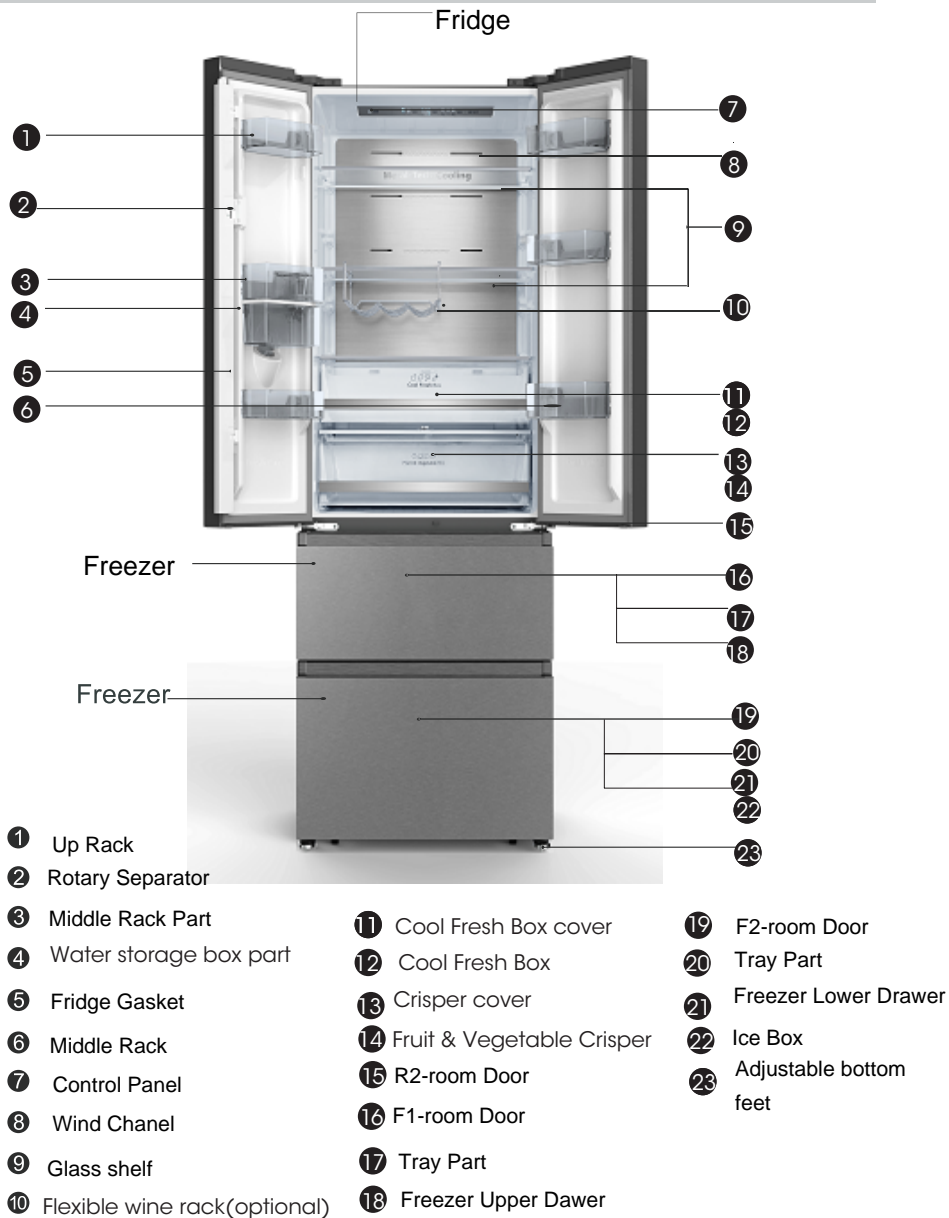
Description of the appliance



Note: Your model may look different from this and other images in this manual, depending on your model's features.

Note: To get the best energy efficiency of this product, please place all shelves, drawers on their original position as the illustration above.

Description of the appliance

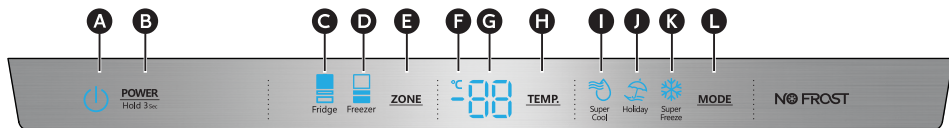


Note: Your model may look different from this and other images in this manual, depending on your model's features.

Note: To get the best energy efficiency of this product, please place all shelves, drawers on their original position as the illustration above.

Control panel

Use your appliance according to the following control regulations, your appliance has the corresponding functions and modes as the display panels showed in the pictures below. When the appliance is powered on for the first time, the backlighting of the icons on display panel starts working. If no buttons have been pressed and the doors are closed, the backlighting will turn off.



- | | | | |
|---------------------------------------|--|--------------------------|----------------------------|
| A Power Icon | D Freezer Compartment Temp Icon | G Temperature | J Holiday Icon |
| B Power Control | E Zone Choice | H Temp Control | K Super Freeze Icon |
| C Fridge Compartment Temp Icon | F Celsius Indicator | I Super Cool Icon | L Mode Control |



Press **POWER** 3 seconds to turn the power on, and press 3 seconds to turn the power off and will display "OF".

Setting Compartment Temperatures

When you set a temperature, you are setting an average temperature for the entire compartment. The actual compartment temperatures may vary from the temperatures displayed depending on the amount and placement of stored food, and the surrounding room temperature.


Recommended Temperature Settings

- Fridge Compartment: 4°C
- Freezer Compartment: -18°C

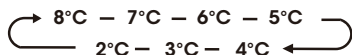
Refrigerator (Fridge) Compartment Temperature

1. Press **ZONE** repeatedly until the Fridge icon appears.



2. When Fridge is on,  is illuminated and then press **TEMP.** repeatedly to cycle through the available temperature settings, from 8°C to 2°C.

NOTE: Each press of the button advances the setting by one degree.



3. Release the **TEMP.** Control when the desired temperature setting appears.

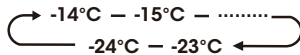
Freezer Compartment Temperature

1. Press **ZONE** repeatedly until the Freezer Choice appears.



2. When Freezer is on,  is illuminated and then press **TEMP.** repeatedly to cycle through the available temperature settings, from -14°C to -24°C.

NOTE: Each press of the button advances the setting by one degree.




3. Release the **TEMP.** Control when the desired temperature setting appears.

Super Cool



The Super Cool feature helps to keep food stored in the refrigerator at the set temperature during periods of high usage, large grocery loads, or temporarily warm room temperatures. The Super Cool feature lowers the temperature in the fridge compartment to 2°C to cool food faster.

1. Press **MODE** repeatedly until the Super Cool icon  appears.

NOTE: When Super Cool is on,  is illuminated and 2°C appears in the temperature display.

2. Press **MODE** to manually turn off Super Cool and return to the previously set temperature.

NOTE: Super Cool will automatically turn off after 3 hours, and the refrigerator will revert to its previous temperature setting.

Super Freeze



The Super Freeze feature helps to keep the food stored in the freezer at the set temperature during periods of high usage, large grocery loads, or temporarily warm room temperatures.

The Super Freeze feature lowers the temperature in the freezer compartment to -24°C to freeze food faster.

1. Press **MODE** repeatedly until the Super Freeze icon  appears.

NOTE: When Super Freeze is on,  is illuminated and -24°C appears in the temperature display.

2. Press **TEMP.** to manually turn off Super Freeze and return to the previously set temperature.

NOTE: Super Freeze will automatically turn off after 52 hours, and the freezer will revert to its previous temperature setting.

When selecting the Super Freeze function, ensure there are no bottled in the freezer compartment. Bottles and cans may explode.

Holiday



If leaving the appliance for a long period of time, you can switch the appliance over to the holiday mode.

Important!

Do not store any food in the fridge compartment during this time.

1. Press **MODE** until the Holiday icon appears. The appliance automatically sets the following temperatures:

- Fridge compartment: 15°C
- Freezer compartment: -18°C

2. Press **TEMP.** to turn off Holiday mode and the refrigerator temperature will revert to its previous temperature setting.

Door Open Alarm

If the fridge door is opened for longer than 2 minutes, the control panel will display "dr", and it will return to the previous set temperature after 8 minutes.

- To turn off the alarm, close the fridge door completely.

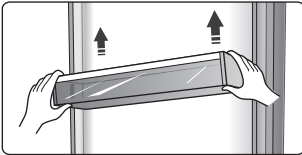
NOTE: High temperature setting will accelerate food waste.

Using your appliance

Your appliance has the accessories as the "Description of the appliance" showed in general, with this part instruction you can have the right way to use them. We recommend that you read through them carefully before using the appliance.

Door rack

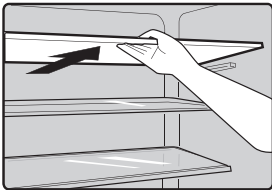
- It is suitable for the storage of eggs, canned liquid, bottled drinks and packed food, etc. Do not place too many heavy things in the racks.
- The door racks can be placed at different heights according to your requirements. Please take food out of the shelf before lifting vertically to reposition.



- All the door racks are completely removable for cleaning.

Shelf in Refrigerator chamber

- The shelves in refrigerator chamber can be taken out to be cleaned.



Flexible wine rack(optional)

- It is for storing bottled wine or drinks, and it can be taken out to clean.

Note: Do not place the bottled wine or drinks directly in front of the air outlet on the wind channel, which may cause it to freeze.

Cool fresh box

- In certain mode, there will be an extra fresh box(drawer). In this drawer you can get a lower temperature to store fish, meat and other erodible food.

Normally it will be about 1°C lower than the other part of the fresh compartment. There are some commendations in the below table which you can consult.

temp. setting of fridge compartment	type of food	suggested storage period
2 or 3 or 4°C	fish or meat	≤2days
5 or 6°C	fruit	<2weeks
7 or 8°C	vegetables	<5days

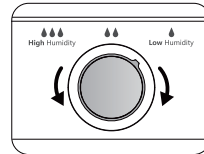
Note: The actual temperature of Cool fresh box may lower than zero, so it is normal that liquid in this drawer was frozen.

Fruit & Vegetable crisper

- The crisper is suitable for storage of vegetables and fruit, etc.

Crisper and Humidity control

- You can rotate the knob on the crisper cover to keep different humidity in the crisper. Push the knob to the left, you will keep a higher humidity which can storage vegetable and fruit long and fresh, to the right will be lower humidity. It is for controlling the temperature of the crisper and avoiding the vegetable losing moisture.



Freezer drawer

- It is used to store food which need to be frozen, including meat, fish and ice cream, etc.

ice tray

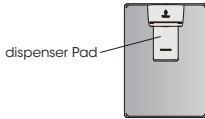
- It is used to make ice cubes. To make ice cubes, please fill water into the ice cube trays and the water level shall not exceed the top line(ideally eighty percent of the ice tray volume). Place the tray into the freezer compartment. and wait at least two hours for the ice cubes to be formed. After the cubes are formed, gently twist the tray to separate the cubes and trays.



Note: If the ice tray is used for the first time or has not been used for a long time, please clean it before using.

Water Dispenser(only for appliance with dispenser)

The water dispenser, located in the fridge door, is for storing drinking water. With this appliance you can obtain chilled water easily without opening the refrigerator. You should review of following tips.



• Before using

Before using this appliance for the first time, you should use it as follows.

1. Hold one bottom side of the door rack by a hand, lift up the opposite side by the other hand, when the slot of the door rack is off from the guide, change hands to repeat these steps.

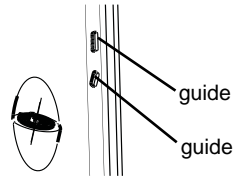
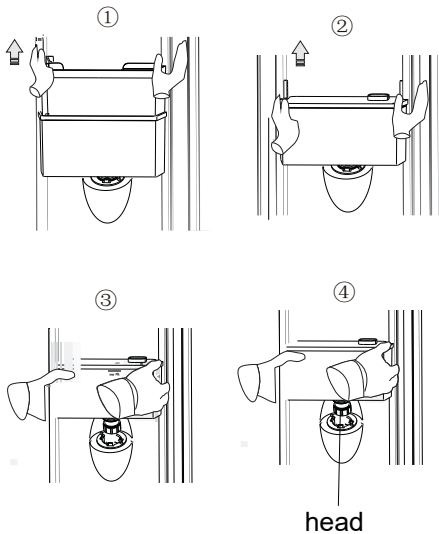
2. Hold one bottom side of the water tank by a hand, lift up the opposite side by the other hand, when the slot of the water tank is off from the guide, change hands to repeat these steps.

3. Hold the two side of the water tank tightly, lift up and put out of the water tank.

4. Unsrew the head, then clean head, lids and the water tank.

Caution!

Drain the water tank before you take it down



• Assembling

After cleaning, please assemble the parts including the head, water tank and lids as follows:

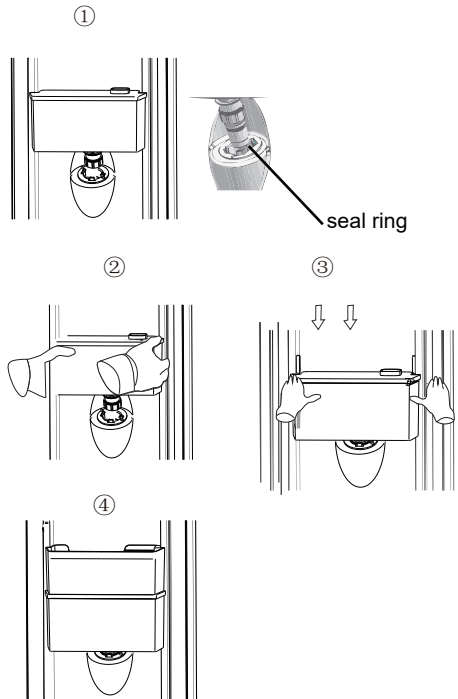
1. Put the seal ring in order first (the seal ring can not turn up), then insert the head into the hole.

2. Hold the two sides of the water tank tightly, fit the water tank along the guides on the door.

3. Push the two sides of the water tank downward as the picture shows.

4. When you hear clicks by both sides and at the same time the both sides of the water tank is closed to the door liner, It means th installation is completed.

then put on the middle rack well .



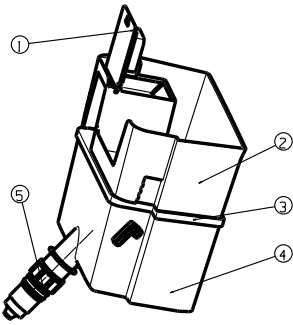
• Filling water

Before you fill the drinking water into the water tank, ensure that the water tank is steady and in a correct position.

Caution!

Fill with water up to 2.5 L (which is suggested) and not above the level. Otherwise, it may overflow when the lids is closed.

We recommend that you fill the water by the following way.
Open the small lid and fill water from the inlet of the middle rack.



- ① water supply inlet cover
- ② middle rack
- ③ water storage box cover
- ④ water sorage box
- ⑤ head

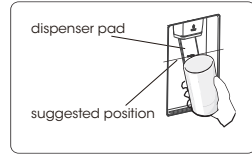
Warning!

Don't touch the other parts of the appliance when filling water, it may cause the water leakage.

Please pour water slowly, or the water will overflow.

Receiving water

- You should use the correct cups to receive water underneath the water dispenser.



Warning!

- Don't push the dispenser lever forward without cup, it may cause the water leak from the dispenser.

Order	Compartments Type	Target storage temp.[°C]	Appropriate food
1	Fridge	+2~+8	Eggs, cooked food, packaged food, fruits and vegetables, dairy products, cakes, drinks and other foods which are not suitable for freezing.
2	(***)*-Freezer	≤-18	Seafood (fish,shrimp,shellfish),freshwater aquatic products and meat products (recommended for 3 months ,the longer the storage time,the worse the taste and nutrition),suitable for frozen fresh food.
3	***-Freezer	≤-18	Seafood (fish, shrimp, shellfish),freshwater aquatic products and meat products (recommended for 3 months,the longer the storage time,the worse the taste and nutrition),are not suitable for frozen fresh.
4	** -Freezer	≤-12	Seafood (fish, shrimp, shellfish), freshwater aquatic products and meat products (recommended for 2 months,the longer the storage time,the worse the taste and nutrition), are not suitable for frozen fresh. food.
5	*-Freezer	≤-6	Seafood (fish, shrimp, shellfish), freshwater aquatic products and meat products (recommended for 1 month,the longer the storage time, the worse the taste and nutrition).
6	0-star	-6~0	Fresh pork, beef, fish, chicken, some packaged processed foods, etc. (Recommended to eat within the same day, preferably no later than 3 days) . Partially encapsulated processed foods (non-freezable foods)
7	Chill	-2~+3	Fresh/frozen pork, beef, chicken, freshwater aquatic products, etc. (7 days below 0°C and above 0°C is recommended for consumption within that day, preferably no more than 2 days). Seafood (less than 0°C for 15 days, it is not recommended to store above 0°C)
8	Fresh Food	0~+4	Fresh pork,beef,fish,chicken,cooked food,etc. (Recommended to eat within the same day,preferably no more than 3 days)
9	Wine	+5~+20	red wine,white wine,sparkling wine etc.

Note: please store different foods according to the compartments or target storage temperature of your purchased products.

- If the refrigerating appliance is left empty for long periods,switch off,defrost, clean,dry, and leave the door open to prevent mould developing within the appliance.

Helpful hints and tips

Energy saving tips

We recommend that you follow the tips below to save energy.

- Try to avoid keeping the door open for long periods in order to conserve energy.
- Ensure the appliance is away from any sources of heat (Direct sunlight, electric oven or cooker etc)
- Don't set the temperature colder than necessary.
- Don't store warm food or evaporating liquid in the appliance.
- Place the appliance in a well ventilated, humidity free, room. Please refer to Installing your new appliance chapter.
- If the diagram shows the correct combination for the drawers, crisper and shelves, do not adjust the combination as this is designed to be the most energy efficient configuration.

Hints for fresh food refrigeration

- Do not place hot food directly into the refrigerator or freezer, the internal temperature will increase resulting in the compressor having to work harder and will consume more energy.
- Do cover or wrap the food, particularly if it has a strong flavor.
- Place food properly so that air can circulate freely around it.

Hints for refrigeration

- Meat (All Types) Wrap in polythene food: wrap and place on the glass shelf above the vegetable drawer. Always follow food storage times and use by dates suggested by manufacturers.
- Cooked food, cold dishes, etc.:
They should be covered and may be placed on any shelf.
- Fruit and vegetables:
They should be stored in the special drawer provided.
- Butter and cheese:

Should be wrapped in airtight foil or plastic film wrap.

- Milk bottles:
Should have a lid and be stored in the door racks.

Hints for freezing

- When first starting up or after a period out of use, let the appliance run at least 2 hours on the higher settings before putting food in the compartment.
- Prepare food in small portions to enable it to be rapidly and completely frozen and to make it possible to subsequently thaw only the quantity required.
- Wrap up the food in aluminum foil or polyethylene food wraps which are airtight.
- Don't allow fresh, unfrozen food to touch the food which is already frozen to avoid temperature rise of the latter.
- Iced products, if consumed immediately after removal from the freezer compartment, will probably cause frost burns to the skin.
- It is recommended to label and date each frozen package in order to keep track of the storage time.

Hints for the storage of frozen food

- Ensure that frozen food has been stored correctly by the food retailer.
- Once defrosted, food will deteriorate rapidly and should not be re-frozen. Do not exceed the storage period indicated by the food manufacturer.

Switching off your appliance

If the appliance needs to be switched off for an extended period, the following steps should be taken prevent mould on the appliance.

1. Remove all food.
2. Remove the power plug from the mains socket.
3. Clean and dry the interior thoroughly.
4. Ensure that all the doors are wedged open slightly to allow air to circulate.

Cleaning and care

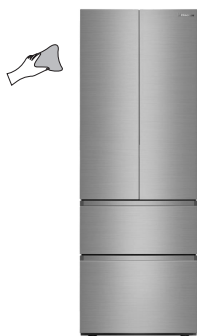
For hygienic reasons the appliance (including exterior and interior accessories) should be cleaned regularly (at least every two months).

Warning!

- The appliance must not be connected to the mains during cleaning as there is a danger of electrical shock! Before cleaning switch the appliance off and remove the plug from the mains socket.

Exterior cleaning

- To maintain good appearance of your appliance, you should clean it regularly.
- Wipe the control panel with a clean, soft cloth.
- Spray water onto the cleaning cloth instead of spraying directly on the surface of the appliance. This helps ensure an even distribution of moisture to the surface.
- Clean the doors, handles and cabinet surfaces with a mild detergent and then wiped dry with a soft cloth.



Caution!

- Don't use sharp objects as they are likely to scratch the surface.
- Don't use Thinner, Car detergent, Clorox, ethereal oil, abrasive cleansers or

organic solvent such as Benzene for cleaning. They may damage the surface of the appliance and may cause fire.

Interior cleaning

- You should clean the appliance interior regularly. It will be easier to clean when food stocks are low. Wipe the inside of the fridge freezer with a weak solution of bicarbonate of soda, and then rinse with warm water using a wrung-out sponge or cloth. Wipe completely dry before replacing the shelves and baskets. Thoroughly dry all surfaces and removable parts before putting them back into place.



- Although this appliance automatically defrosts, a layer of frost may occur on the freezer compartment's interior walls if the freezer door is opened frequently or kept open too long. If the frost is too thick, choose a time when the freezer is nearly empty and proceed as follow:
 1. Remove existing food and accessories baskets, unplug the appliance from the mains power and leave the doors open. Ventilate the room thoroughly to accelerate the process.
 2. When defrosting is completed, clean your freezer as described above.

Caution!

- Don't use sharp objects to remove frost from the freezer compartment. Only after the interior is completely dry should the appliance be switched back on and plugged back into the mains socket.

Door seals cleaning

- Take care to keep door seals clean. Sticky food and drinks can cause seals to stick to the cabinet and tear when you open the door. Wash seal with a mild detergent and warm water. Rinse and dry it thoroughly after cleaning.

Caution!

- Only after the door seals are completely dry should the appliance be powered on .

Replacing the LED light:**Warning:**

- The LED light should be replaced by a

competent person. If the LED light is damaged, contact the customer helpline for assistance. To replace the LED light, the below steps can be followed:

1. Unplug your appliance.
2. Remove light cover by pushing up and out.
3. Hold the LED cover with one hand and pull it with the other hand while pressing the connector latch.
4. Replace LED light and snap it correctly in place.

Water dispenser cleaning (special for water dispenser products):

- Clean water tanks if they have not been used for 48h; flush the water system connected to a water supply if water has not been drawn for 5 days.

Troubleshooting

If you experience a problem with your appliance or are concerned that the appliance is not functioning correctly, you can carry out some easy checks before calling for service, please see below.

Warning! Don't try to repair the appliance yourself. If the problem persists after you have made the checks mentioned below, contact a qualified electrician, authorized service engineer or the shop where you purchased the product.

Problem:	Possible cause & Solution
Appliance is not working correctly	<ul style="list-style-type: none"> ➤ Check whether the power cord is plugged into the power outlet properly. ➤ Check the fuse or circuit of your power supply, replace if necessary. ➤ The ambient temperature is too low. Try setting the chamber temperature to a colder level to solve this problem. ➤ It is normal that the freezer is not operating during the automatic defrost cycle, or for a short time after the appliance is switched on to protect the compressor.
Odours from the compartments	<ul style="list-style-type: none"> ➤ The interior may need to be cleaned. ➤ Some food, containers or wrapping cause odours.
Noise from the appliance	<p>The sounds below are quite normal:</p> <ul style="list-style-type: none"> ➤ Compressor running noises. ➤ Air movement noise from the small fan motor in the freezer compartment or other compartments. ➤ Gurgling sound similar to water boiling. ➤ Popping noise during automatic defrosting. ➤ Clicking noise before the compressor starts. <p>Other unusual noises are due to the reasons below and may need you to check and take action:</p> <ul style="list-style-type: none"> ➤ The cabinet is not level. ➤ The back of appliance touches the wall. ➤ Bottles or containers knocking against each other.
The motor runs continuously	<p>It is normal to frequently hear the sound of the motor, it will need to run more during following circumstances:</p> <ul style="list-style-type: none"> ➤ Temperature setting is set colder than necessary. ➤ Large quantity of warm food has recently been stored within the appliance. ➤ The temperature outside the appliance is too high. ➤ Doors are kept open too long or too often. ➤ After your installing the appliance or it has been switched off for a long time.

Hisense



UPUTSTVO ZA UPOTREBU

BIH/SRB/MNE

Hvala Vam što ste odabrali naš uređaj. Sigurni smo da ćete sa zadovoljstvom koristiti Vaš novi frižider. Međutim, pre upotrebe uređaja, preporučujemo Vam da pažljivo pročitate uputstvo za upotrebu, koje sadrži detalje o povezivanju i upotrebi proizvoda. Molimo Vas da sačuvate ovo uputstvo za buduće potrebe.

Sadržaj

Bezbednosne informacije i upozorenja.....	3
Povezivanje vašeg novog uređaja	12
Opis uređaja	16
Upravljački panel	17
Korišćenje uređaja	19
Korisni saveti	23
Čišćenje i nega.....	24
Otklanjanje problema	26
Odlaganje uređaja	27

Bezbednosne informacije i upozorenja

Vaša bezbednost i bezbednost drugih lica su veoma važni.

Ovo uputstvo sadrži puno važnih bezbednosnih poruka u vezi sa Vašim uređajem. Uvek pročitati i poštovati sve bezbednosne poruke.



Ovo je simbol bezbednosnog upozorenja.

Ovaj simbol Vas upozorava na potencijalne opasnosti koje Vas i druge osobe mogu ubiti ili povrediti. Sve bezbednosne poruke će biti praćene simbolom upozorenja i porukom "OPASNOST", "UPOZORENJE" ili "OPREZ". Ove reči znače:

OPASNOST

Neposredna opasna situacija. Možete stradati ili doživeti ozbiljne povrede ukoliko ne ispoštujete poruku.

UPOZORENJE

Potencijalno opasna situacija koja, ukoliko se ne izbegne, može rezultovati smrtnim ishodom ili ozbiljnom povredom.

OPREZ

Potencijalno opasna situacija koja, ukoliko se ne izbegne, može rezultovati srednje-teškom ili lakšom povredom.

Sve bezbednosne poruke ukazuju na potencijalnu opasnost, kako smanjiti verovatnoću povređivanja i šta se može desiti ukoliko se uputstva ne poštuju.



Bezbednosne informacije i upozorenja

Iz razloga bezbednosti i pravilne upotrebe uređaja, pre povezivanja i prve upotrebe uređaja, pažljivo pročitati ovo uputstvo za upotrebu, uključujući savete i upozorenja. Kako bi se izbegle nepotrebne greške i nezgode, važno je uveriti se da su sve osobe koje će koristiti uređaj u potpunosti upoznate sa njegovom upotrebom i bezbednosnim svojstvima. Sačuvati ovo uputstvo i postarati se da ono prati uređaj ukoliko se uređaj premesti ili proda, kako bi se sve osobe koje će koristiti uređaj propisno informisale o njegovoj upotrebi i upoznale sa sigurnosnim napomenama.

Iz razloga zaštite zdravlja i imovine, primenjivati mere predostrožnosti iz ovog uputstva za upotrebu jer proizvođač neće biti odgovoran za štetu nastalu usled propusta.

Bezbednost dece i ostalih ugroženih kategorija ljudi

➤ U skladu sa EN standardom

Ovaj uređaj mogu koristiti deca starija od 8 godina i osobe sa fizičkim, čulnim ili mentalnim invaliditetom kao i neiskusne osobe i osobe koje nisu upoznate sa upotrebom ovog uređaja, ukoliko to čine pod nadzorom ili prema datim smernicama i na bezbedan način i ukoliko su svesne povezanih opasnosti. Deci nije dozvoljeno da se igraju sa uređajem. Čišćenje i korisničko održavanje uređaja ne smeju obavljati deca bez nadzora. Deca uzrasta od 3 do 8 godina mogu stavljati i uzimati hranu i druge proizvode iz rashladnih uređaja.

➤ U skladu sa IEC standardom

Ovaj uređaj nije predviđen za upotrebu od strane osoba (uključujući decu) sa smanjenim fizičkim, čulnim ili mentalnim sposobnostima, kao i neiskusnih osoba i osoba koje nisu upoznate sa upotrebom ovog uređaja, osim ukoliko to čine pod nadzorom ili prema smernicama za upotrebu uređaja datim od strane osobe odgovorne za njihovu bezbednost.

➤ Deca bi trebalo da budu pod nadzorom kako bi se sprečilo njihovo igranje sa uređajem.

➤ Držati svu ambalažu van dohvata dece jer postoji rizik od gušenja.

➤ Ukoliko više nećete koristiti uređaj, isključiti ga iz struje, iseći strujni kabl (što bliže uređaju) i skinuti vrata, kako bi se sprečio strujni udar ili zatvaranje dece u frižideru tokom igre.

➤ Ukoliko se ovim uređajem, koji sadrži magnetne zaptivače na vratima, zameniti stariji uređaj koji sadrži ručicu sa oprugom na vratima ili poklopcu, obavezno onesposobiti ručicu sa oprugom pre odlaganja starog uređaja. To će sprečiti zaglavljivanje deteta u starom frižideru.



Opšta bezbednost

- UPOZORENJE — Ovaj uređaj je predviđen za upotrebu u domaćinstvu i sličnim primenama kao što su
 - kuhinja za radno osoblje u prodavnicama, kancelarijama i drugim radnim okruženjima;
 - farmerske kućice i za klijente u hotelima, motelima i drugim postavkama stambenog tipa;
 - objektima koji nude noćenje sa doručkom;
 - ugostiteljske i slične nemaloprodajne primene.
- UPOZORENJE — Ne držati eksplozivne supstance kao što su boce sa aerosolima sa zapaljivom sadržinom u ovom uređaju.
- UPOZORENJE — Ukoliko je strujni kabl oštećen, mora se zameniti od strane proizvođača, njegovog ovlašćenog servisera ili drugih kvalifikovanih lica kako bi se izbegla opasnost.
- UPOZORENJE — Ukloniti sve prepreke sa otvora za ventilaciju u kućištu uređaja ili u objektu u kom se uređaj koristi.
- UPOZORENJE — Ne koristiti mehaničke uređaje ili druga sredstva za ubrzavanje procesa odmrzavanja, osim onih koje preporučuje proizvođač.
- UPOZORENJE — Čuvati rashladno kolo od oštećenja.
- UPOZORENJE — Ne koristiti električne uređaje unutar odeljaka za skladištenje hrane u uređaju, osim ukoliko su odobreni od strane proizvođača.
- UPOZORENJE — Rashladno sredstvo i izolacioni gas su zapaljivi. Pri odlaganju uređaja, to učiniti isključivo u ovlašćenom centru za odlaganje otpada. Ne izlagati otvorenom plamenu.
- UPOZORENJE — Pri pozicioniranju uređaja, uveriti se da strujni kabl nije zaglavljen ili oštećen.

- UPOZORENJE — Ne postavljati produžne kablove ili prenosive izvore napajanja sa zadnje strane uređaja.
- UPOZORENJE — Hrana se mora spakovati u kesice pre stavljanja u frižider a tečnosti se moraju staviti u flaše ili posude sa poklopcem kako bi se izbegli problemi jer konstrukcija proizvoda nije laka za čišćenje.



Simbol predstavlja upozorenje i ukazuje na to da su rashladno sredstvo i izolacioni gas zapaljivi.

Upozorenje: Rizik od požara/zapaljivih materijala

Zamena lampica za osvetljenje

- UPOZORENJE — Lampice za osvetljenje se ne smeju menjati od strane korisnika! Ukoliko dođe do oštećenja lampica za osvetljenje, kontaktirati korisničku službu za pomoć. Ovo upozorenje važi samo za frižidere koji su opremljeni lampicama za osvetljenje.

Rashladno sredstvo

Rashladni izobutan (R600a) se nalazi u rashladnom kolu uređaja i predstavlja prirodni gas sa visokim nivoom kompatibilnosti sa prirodnom sredinom, ali je zapaljiv. Tokom transporta i instalacije uređaja, sprečiti oštećivanje bilo koje komponente kola sa rashladnim sredstvom.

Rashladno sredstvo (R600a) je zapaljivo.

- UPOZORENJE — Frižideri sadrže rashladno sredstvo i gasove u izolaciji. Rashladno sredstvo i gasovi se moraju odlagati na stručan način jer mogu izazvati povrede očiju ili se mogu zapaliti. Uveriti se da cevi kola sa rashladnim sredstvom nisu oštećene pre pravilnog odlaganja.



UPOZORENJE: rizik od požara

Ukoliko dođe do oštećenja kola sa rashladnim sredstvom:

- Izbegavati otvorene plamenove i izvore vatre.
- Dobro provetriti prostoriju u kojoj se nalazi uređaj.

Opasno je menjati specifikacije ili modifikovati ovaj proizvod na bilo koji način.

Bilo koje oštećenje kabla može izazvati kratak spoj, požar i/ili strujni udar.



Električna bezbednost

- Strujni kabl se ne sme produžavati.
- Uveriti se da utikač nije prignječen ili oštećen. Prignječen ili oštećen utikač se može pregrijati i izazvati požar.
- Uveriti se da je omogućen pristup glavnom utikaču uređaja.
- Ne vući glavni strujni kabl.
- Ukoliko je utičnica labava, ne uključivati strujni utikač u nju. Postoji rizik od strujnog udara ili požara.
- Ne smete koristiti uređaj ukoliko fali poklopac unutrašnje lampice za osvetljenje.
- Frižider se može napajati isključivo jednofaznom naizmjeničnom strujom od 220~240V/50Hz. Ukoliko je fluktuacija napona u mestu korisnika toliko velika da napon prelazi gorenavedeni opseg, iz razloga bezbednosti obavezno povezati automatski regulator naizmjeničnog napona, čija je snaga veća od 350W, na frižider. Frižider mora koristiti posebnu utičnicu a ne utičnicu koju deli sa drugim električnim uređajima. Žice za uzemljenje na utikaču frižidera i na utičnici se moraju poklapati.

Svakodnevna upotreba

- Ne držati zapaljive gasove ili tečnosti u uređaju. Postoji rizik od eksplozije.
- Ne koristiti bilo koje električne uređaje u uređaju (npr. električne aparate za sladoled, miksera, itd.).
- Prilikom isključivanja iz struje uvek najpre izvući utikač iz utičnice a ne vući za kabl.
- Ne postavljati vruće predmete blizu plastičnih komponenti ovog uređaja.
- Ne postavljati prehrambene proizvode direktno uz odvod za vazduh na zadnjoj strani.
- Prethodno upakovane zamrznute namirnice držati u skladu sa smernicama proizvođača za zamrznutu hranu.
- Preporuke za skladištenje koje je definisano proizvođač uređaja se moraju strogo poštovati. Videti relevantne smernice za skladištenje.
- Ne stavljati gazirana pića ili sokove u odeljak za zamrzavanje jer se stvara pritisak u boci, koji može izazvati njeno pucanje i oštećenje uređaja.
- Zamrznuta hrana može izazvati promrzline ukoliko se konzumira direktno iz odeljka za zamrzavanje.
- Ne izlagati uređaj direktnoj sunčevoj svetlosti.
- Držati sveće, lampe i ostale predmete sa otvorenim plamenom dalje od uređaja kako se uređaj ne bi zapalio.
- Uređaj je predviđen za držanje namirnica i/ili pića u normalnom domaćinstvu kao što je opisano u ovom uputstvu. Uređaj je težak. Potrebno je biti oprezan pri premeštanju uređaja.

- Ne uklanjati niti dodirivati predmete iz odeljka za zamrzavanje ukoliko su vam ruke vlažne/mokre, jer to može izazvati nagrizanje kože ili promrzline.
- Nikada ne koristiti osnovu, fijke, vrata, itd., za stajanje na njima ili kao oslonac.
- Zamrznuta hrana se ne sme ponovo zamrzavati nakon otapanja.
- Ne konzumirati ledene lizalice ili kockice leda direktno iz zamrzivača jer mogu izazvati promrzline u ustima i na usnama.
- Kako bi se izbeglo ispadanje predmet i izazivanje fizičke povrede ili oštećenja uređaja, ne preopterećivati police na vratima niti stavljati previše hrane u fijke za održavanje svežine.
- Ovaj rashladni uređaj nije predviđen za upotrebu kao ugradni uređaj.



Oprez! **Nega i čišćenje**

- Pre održavanja, isključiti uređaj i izvaditi glavni utikač iz utičnice.
- Ne čistiti uređaj metalnim predmetima, paročišćivačima, eteričnim uljima, organskim razređivačima ili abrazivnim sredstvima za čišćenje.
- Ne koristiti oštre predmete za uklanjanje leda sa uređaja. Koristiti plastični strugač.

Važno za instalaciju!

- U vezi sa električnim povezivanjem pažljivo pratiti smernice iz ovog uputstva.
- Otpakovati uređaj i proveriti da na njemu nema oštećenja. Ne povezivati uređaj ukoliko je oštećen. Sve moguće štete odmah prijaviti tamo gde ste kupili uređaj. U ovom slučaju zadržati ambalažu.

- Savetuje se da se sačeka najmanje četiri sata pre povezivanja uređaja kako bi se omogućilo vraćanje ulja u kompresor.
- Potrebno je obezbediti adekvatnu cirkulaciju vazduha oko uređaja, jer u suprotnom može doći do pregrevanja. Kako bi se postigla dovoljna ventilacija, pratiti smernice vezane za povezivanje.
- Gde je to moguće zadnja strana proizvoda ne bi trebalo da bude preblizu zida kako bi se izbeglo dodirivanje ili hvatanje za vruće delove (kompresor, kondenzator) kako bi se sprečio rizik od požara; poštovati smernice vezane za instalaciju.
- Uređaj se ne sme postavljati blizu radijatora ili šporeta.
- Uveriti se da je strujni utikač pristupačan nakon instaliranja uređaja.

Servis

- Sve električne radove koji su potrebni za servisiranje uređaja bi trebalo da obavi kvalifikovani električan ili stručno lice.
- Ovaj proizvod se mora servisirati od strane ovlašćenog servisa i moraju se koristiti isključivo originalni rezervni delovi.
 1. Ukoliko je uređaj Frost Free (sprečava formiranje leda).
 2. Ukoliko uređaj sadrži odeljak za zamrzavanje

Kako bi se izbegla kontaminacija hrane, molimo pratite sledeće smernice

- Otvaranje vrata na duže vreme može izazvati znatno povećanje temperature u komorama uređaja.
- Redovno čistiti površine koje dolaze u dodir sa hranom i pristupačne sisteme za pražnjenje vode.
- Sveže meso i ribu držati u odgovarajućim posudama u frižideru, tako da ne dođu u dodir ili kako ne bi kapali na druge namirnice.
- Odeljci za zamrznutu hranu sa dve zvezdice su podesni za skladištenje prethodno zamrznute hrane, čuvanje ili pravljenje sladoleda i pravljenje ledenih lizalica.
- Odeljci sa jednom, dve ili tri zvezdice, nisu podesni za zamrzavanje sveže hrane.

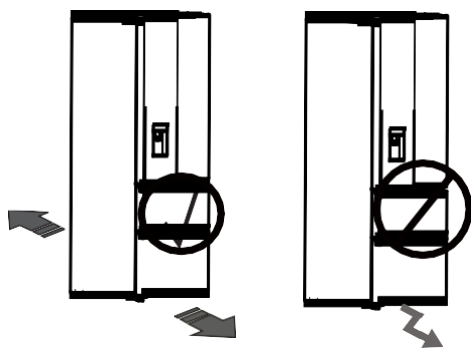
Povezivanje vašeg novog uređaja

Pre prve upotrebe uređaja, potrebno je upoznati se sa sledećim savetima.

Upozorenje!

Kako bi se pravilno povezao, ovaj frižider se mora postaviti na ravnu površinu od čvrstog materijala koji je iste debljine kao i ostatak poda. Ova površina bi trebalo da je dovoljno čvrsta da izdrži težinu punog frižidera.

Roleri, koji nisu točkici, bi trebalo da se koriste isključivo za pomeranje napred ili nazad. Pomeranje frižidera u stranu može oštetiti vaš pod i rolere.

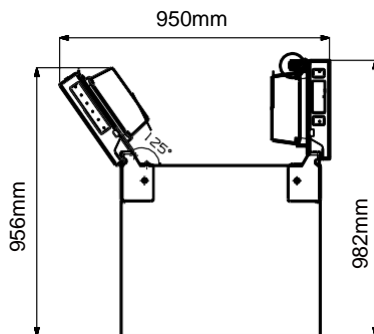
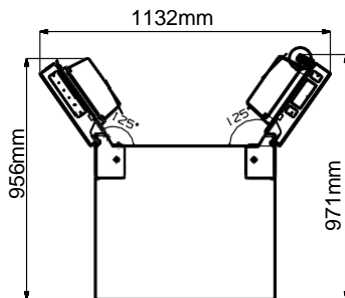
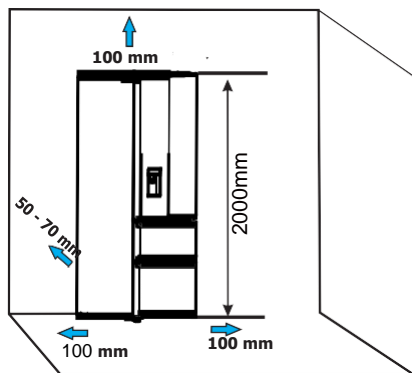


Ventilacija uređaja

Kako bi se unapredila efikasnost rashladnog sistema i uštedela energija, neophodno je omogućiti dobru ventilaciju oko uređaja u svrhu disipacije toplote. Iz ovog razloga je potrebno ostaviti dovoljno slobodnog prostora oko frižidera.

Sugestija:

Savetuje se ostavljanje prostora od 50-70mm od zadnje strane do zida, najmanje 100mm od gornje strane, najmanje 100mm od bočnih strana do zida i slobodan prostor ispred uređaja kako bi se omogućilo otvaranje vrata do 130°. Kao što je prikazano na sledećim dijagramima.



Napomena:

Ovaj uređaj dobro radi u klimatskoj klasi od SN do ST koje su prikazane u tabeli u nastavku. Možda neće raditi kako treba ukoliko se duže vreme ostavi na temperaturi višoj ili nižoj od prikazanog opsega.

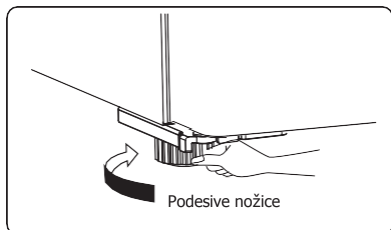
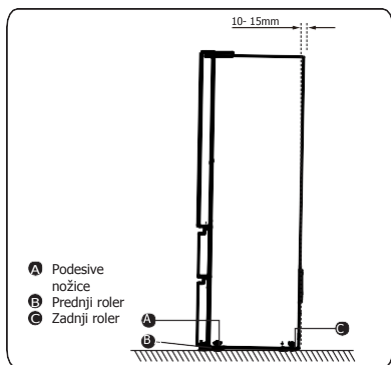
Klimatska klasa	Temperatura sredine
SN	+10°C do +32°C
N	+16°C do +32°C
ST	+16°C do +38°C
T	+16°C do +43°C

- Postavite vaš uređaj na suvo mesto kako bi se izbeglo oštećenje od vlage.
- Držati uređaj dalje od direktne sunčeve svetlosti, kiše ili mraza. Postaviti uređaj dalje od izvora toplote kao što su šporeti, kamini ili grejalice.

Nivelisanje uređaja

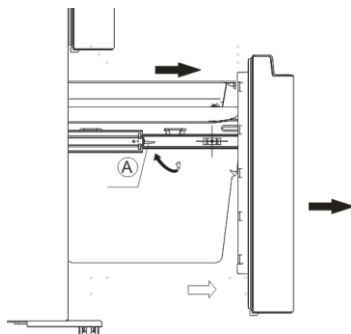
Kako bi se obavilo pravilno nivelisanje i omogućila cirkulacija vazduha u donjem zadnjem delu uređaja, možda će biti neophodno podesiti nožice. Možete ih podesiti ručno ili pomoću odgovarajućeg ključa.

Kako bi se omogućilo samostalno zatvaranje vrata, nagnuti gornji deo unazad za oko 10-15mm.

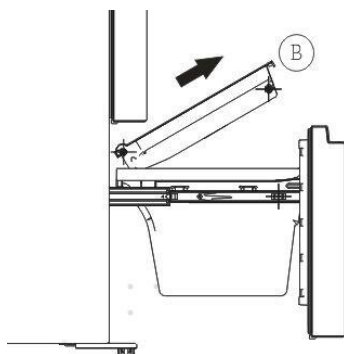


Demontaža fijke zamrzivača

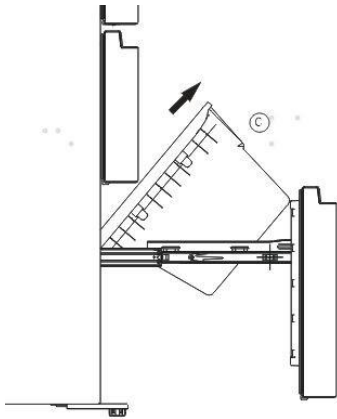
1. Odeljak za zamrzavanje sadrži gornju fijoku, donju fijoku, dve police i kutiju za led;
2. Otvoriti vrata zamrzivača; Izvući element za podešavanje (A) sa kliznih vođica i izvaditi fijoku za vrata zamrzivača (A) do krajnje tačke.



3. Izvaditi policu (B) podižući je u smeru strelice.



4. Izvaditi donju fijoku za zamrzivača (C) podižući je nagore.

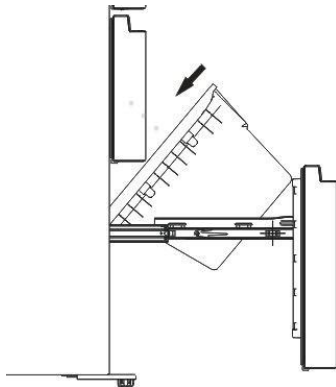


Vraćanje fijke zamrzivača

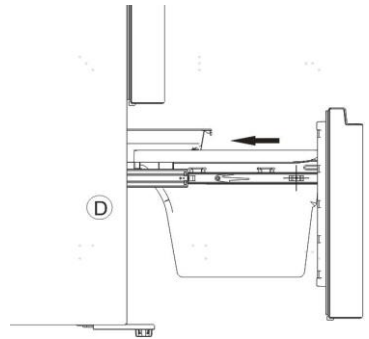
Kako biste ponovo postavili fijeku nakon što ste uređaj premesili u njegov konačni položaj, delove montirajte obrnutim redosledom.

Postavljanje donje fijke

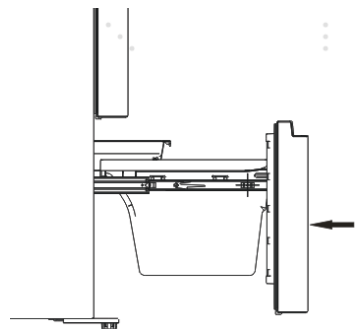
1. Gurnuti donju fijeku u konačni položaj u smeru strelice.



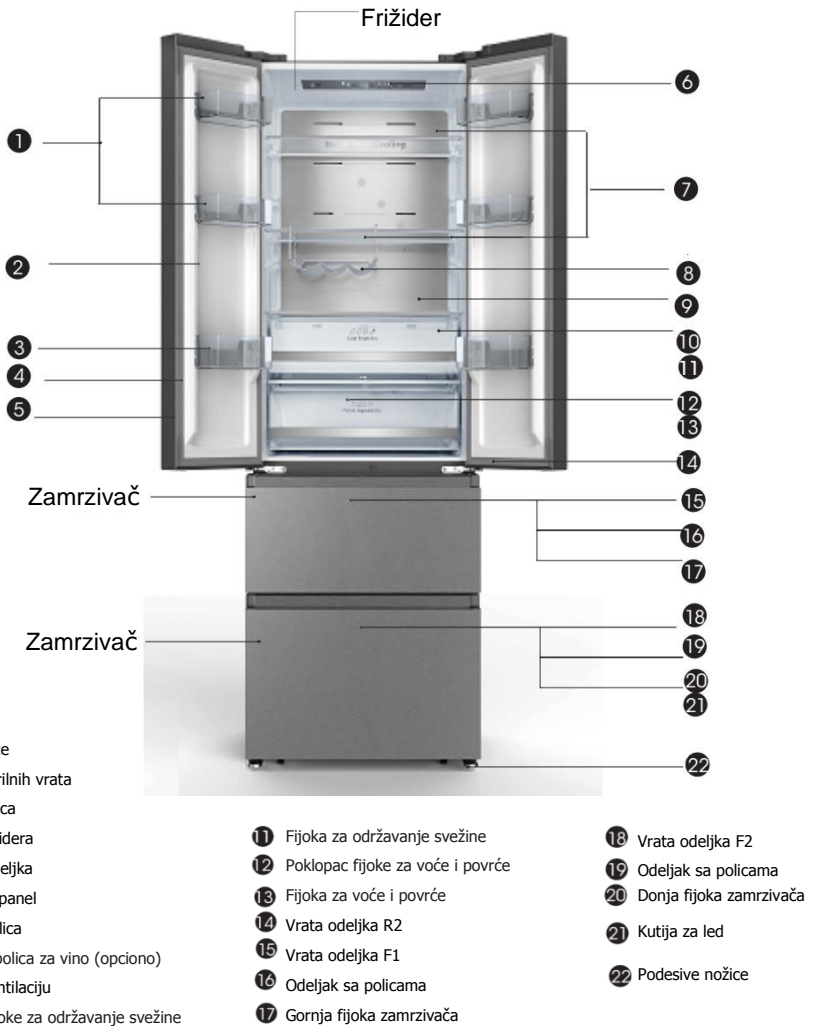
2. Postaviti policu na fijeku i gurnuti je napred i uveriti se da su roleri police upali u žlebove na zidovima zamrzivača.



3. Gurnuti vrata zamrzivača prema strelici i zatvoriti ih.



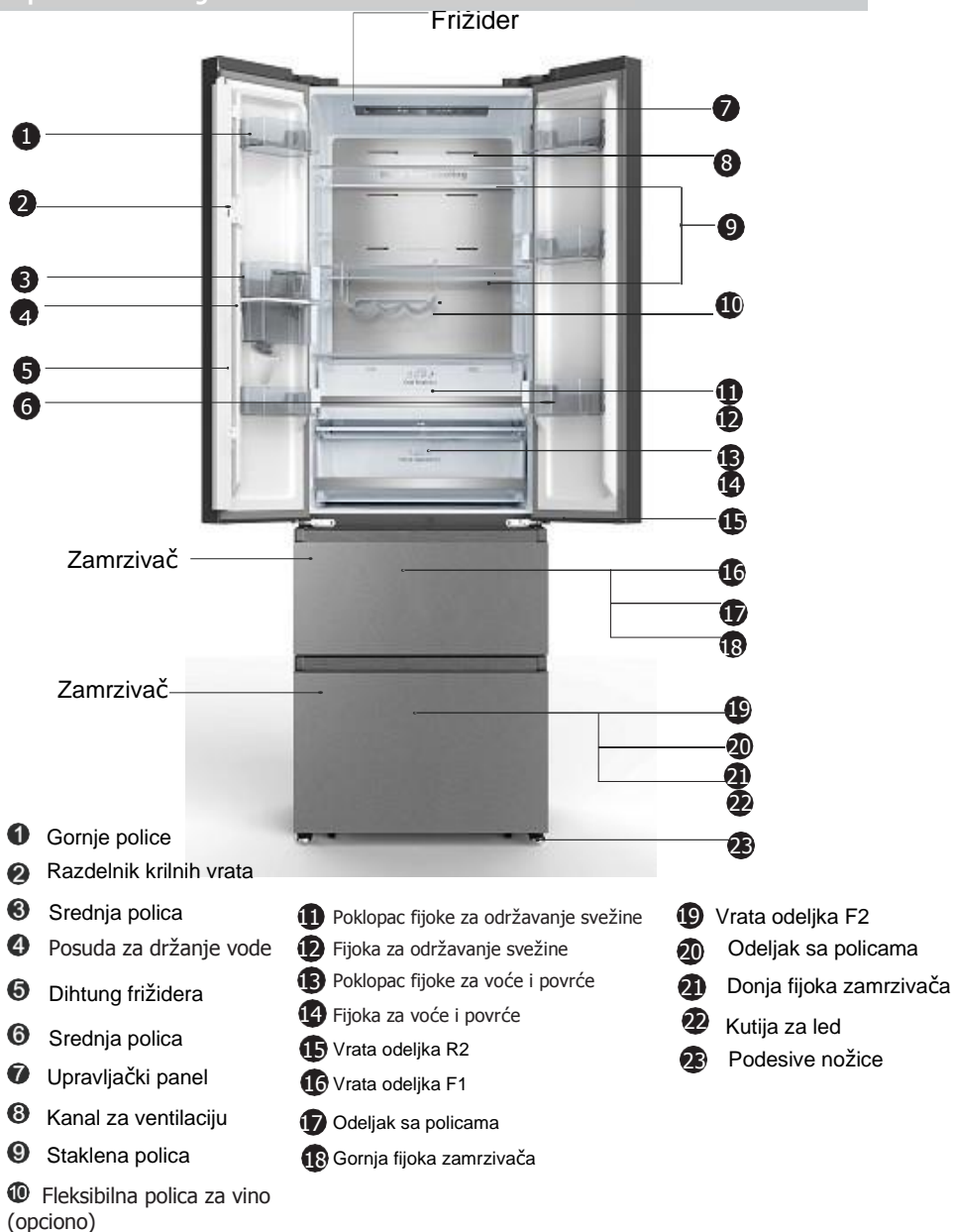
Opis uređaja



Napomena: Vaš model može izgledati drugačije u odnosu na ovu i ostale slike u ovom uputstvu, u zavisnosti od karakteristika vašeg modela.

Napomena: Kako bi se postigla najbolja energetska efikasnost ovog proizvoda, molimo vas da sve police i fijke postavite u njihov predviđen položaj kao što je prikazano na ilustraciji iznad.

Opis uređaja

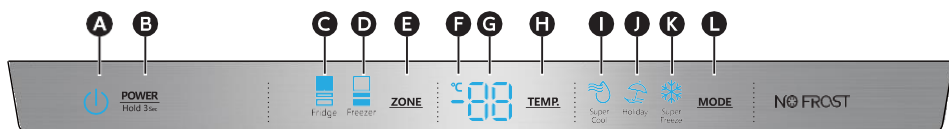


Napomena: Vaš model može izgledati drugačije u odnosu na ovu i ostale slike u ovom uputstvu, u zavisnosti od karakteristika vašeg modela.

Napomena: Kako bi se postigla najbolja energetska efikasnost ovog proizvoda, molimo vas da sve police i fijke postavite u njihov predviđen položaj kao što je prikazano na ilustraciji iznad.

Upravljački panel

Uređaj koristiti pomoću opisanih kontrola. Vaš uređaj sadrži funkcije i režime koji su prikazani na panelu displeja kao na slikama u nastavku. Kada se uređaj uključi po prvi put, pozadina ikonica na panelu displeja će se aktivirati. Ukoliko nije pritisnuto nijedno dugme a vrata su zatvorena, pozadina će se isključiti.



- | | | | |
|-------------------------------------|--------------------------------------|---------------------------------|------------------------------------|
| A Ikonica za struju | D Ikonica za temp. zamrzivača | G Temperatura | J Ikonica odmora |
| B Kontrola uključivanja | E Odabir zone | H Kontrola temp. | K Ikonica super zamrzavanja |
| C Ikonica za temp. frižidera | F Jedinica za temp. | I Ikonica super hlađenja | L Kontrola režima |



Pritisnuti taster **POWER** 3 sekunde za uključivanje uređaja i 3 sekunde za isključivanje uređaja i pojaviće se poruka "OFF".

Podešavanje temperature u odeljcima

Podešena temperatura je prosečna temperatura u celom odeljku. Stvarna temperatura u odeljku se može razlikovati od prikazane temperature u zavisnosti od količine i rasporeda skladištene hrane i sobne temperature.

Preporučene postavke temperature

- Odeljak frižidera: 4°C
- Odeljak zamrzivača: -18°C

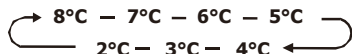
Temperatura frižidera

1. Pritisnuti taster **ZONE** sve dok se ne pojavi ikonica frižidera.



2. Kada je pojavi, **Fridge** svetli i nakon toga pritisnuti taster **TEMP.** za menjanje dostupnih postavki temperature, od 8°C do 2°C.

NAPOMENA: Svaki pritisak tastera menja postavku za jedan stepen.



3. Pustiti taster za kontrolu **TEMP.** kada dođete do željene vrednosti temperature.

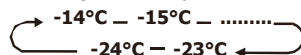
Temperatura zamrzivača

1. Pritisnuti taster **ZONE** sve dok se ne pojavi Zamrzivač.



2. Kada se pojavi zamrzivač, **Freeze** svetli pa nakon toga pritisnuti taster **TEMP.** za menjanje dostupnih postavki temperature, od -14°C do -24°C.

NAPOMENA: Svaki pritisak tastera menja postavku za jedan stepen.



3. Pustiti taster za kontrolu **TEMP.** kada dođete do željene vrednosti temperature.

Super Cool (super hlađenje)



Opcija Super Cool pomaže u držanju namirnica u frižideru na podešenoj temperaturi u slučaju čestog otvaranja frižidera, velikog broja namirnica ili privremeno visokih sobnih temperatura. Super Cool snižava temperaturu u odeljku frižidera na 2°C što omogućuje brže hlađenje hrane.

1. Pritisnuti taster **MODE** sve dok ne

pojavi ikonica Super Cool **Super Cool**.

NAPOMENA: Kada je Super Cool aktivirano, svetli a na ekranu je prikazana temperatura od 2°C.


2. Pritisnuti taster **MODE** za manuelno isključivanje Super Cool opcije i povratak na prethodno podešenu temperaturu.

NAPOMENA: Super Cool će se automatski isključiti nakon 3 sata, a frižider će se vratiti na svoju prethodnu temperaturnu postavku.


Super Freezeze (super zamrzavanje)



Opcija Super Freezeze pomaže u držanju namirnica u zamrzivaču na podešenoj temperaturi u slučaju čestog otvaranja zamrzivača, velikog broja namirnica ili privremeno visokih sobnih temperatura. Opcija Super Freezeze snižava temperaturu u zamrzivaču na -24°C kako bi se hrana brže zamrzavala.

1. Pritiskati taster **MODE** sve dok se ne pojavi ikonica Super Freezeze .

NAPOMENA: Kada je Super Freezeze

aktivirano,  svetli a na ekranu je prikazana temperatura od -24°C.

2. Pritisnuti taster **TEMP.** za manuelno isključivanje Super Freezeze opcije i povratak na prethodno podešenu temperaturu.

NAPOMENA: Super Freezeze će se automatski isključiti nakon 52 sata, a frižider će se vratiti na svoju prethodnu temperaturnu postavku.

Prilikom odabira Super Freezeze funkcije uveriti se da u zamrzivaču nema staklenih flaša. Flaše i konzerve mogu eksplodirati.

Godišnji odmor



Ukoliko nećete koristiti uređaj duže vreme, možete prebaciti uređaj u režim godišnjeg odmora.

Važno!

Za to vreme ne stavljati bilo kakvu hranu u frižider.

1. Pritiskati taster **MODE** sve dok se ne pojavi ikonica Godišnji odmor. Uređaj automatski podešava sledeće temperature:

- Frižider: 15 °C
- Zamrzivač: -18°C

2. Pritisnuti taster **TEMP.** za isključivanje režima godišnjeg odmora i temperatura frižidera će se vratiti u svoju prethodnu temperaturnu postavku.

Alarm za otvorena vrata

Ukoliko su vrata frižidera otvorena duže od 2 minuta, upravljački panel će prikazati poruku "dr" i vratiće se na prethodno podešenu temperaturu nakon 8 minuta.

- Kako bi se alarm isključio, zatvoriti vrata.

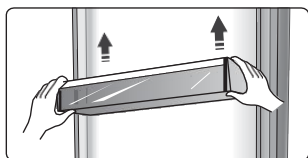
NAPOMENA: Podešena visoka temperatura će ubrzati propadanje hrane.

Korišćenje uređaja

Vaš uređaj sadrži pomoćne elemente kao što je opisano u odeljku "Opis uređaja" u uvodnom delu, i u tom delu uputstva se možete upoznati sa pravilnom upotrebom istih. Preporučujemo da ih pažljivo pročitate pre upotrebe uređaja.

Police za vrata

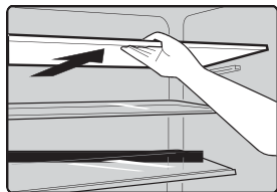
- Podesne su za držanje jaja, konzerviranih tečnosti, flaširanih pića i upakovane hrane, itd. Ne stavljati preteške stvari na policu.
- Police za vrata se mogu se premeštati na vratima prema vašim potrebama. Molimo vas da izvadite namirnice iz police pre nego što je podignete kako biste je premostili.



- Sve police za vrata se mogu u potpunosti izvaditi radi čišćenja.

Polica u komori frižidera

- Police u komori frižidera se mogu izvaditi kako bi se očistile.



Fleksibilna policica za vino (opciono)

- Služi za držanje flaširanih vina ili pića i može se izvaditi kako bi se očistila.

Napomena: Ne stavljati flaširano vino ili pića direktno ispred otvora za vazduh na kanalu za ventilaciju, jer to može zalediti flaše.

Kutija za održavanje svežine

- Određeni modeli sadrže dodatnu kutiju (fijoku) za održavanje svežine. U ovoj fijoci je omogućena niža temperatura za čuvanje ribe, mesa i drugih kvarljivih namirnica. Obično će biti 1°C niža u odnosu na druge delove frižidera. U tabeli u nastavku su date određene preporuke koje možete primeniti.

postavke temperature u frižideru	vrsta hrane	predloženi period čuvanja
2 ili 3 ili 4°C	riba ili meso	≤2 dana
5 ili 6°C	voće	<2 nedelje
7 ili 8°C	povrće	<5 dana

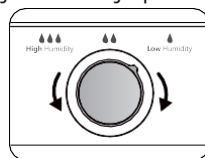
Napomena: Stvarna temperatura u kutiji za održavanje svežine može biti manja od nule, tako da je normalno da se tečnost u ovoj fijoci zamrzne.

Fijoka za voće i povrće

- Ova fijoka je podesna za čuvanje povrća i voća,

Fijoka za voće i povrće i kontrola vlažnosti

- Možete okrenuti rotirajući deo na poklopcu fijoke za voće i povrće kako biste zadržali različitu količinu vlage u fijoci. Ukoliko okrenete ulevo, omogućićete veću vlažnost, a time i duže vreme skladištenja voća i povrća; okretanje udesno će smanjiti vlažnost. Ovaj deo služi za kontrolu temperature u fijoci i za sprečavanje isušivanja povrća.



Fijoka zamrzivača

- Koristi se za čuvanje hrane koju je potrebno zamrznuti, npr. meso, ribu, sladoled, itd.

Posuda za led

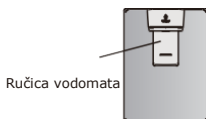
- Koristi se za pravljenje kockica leda. Kako biste napravili kockice leda napunite posudu za led vodom tako da nivo vode ne prelazi gornju liniju (idealno 80% zapremine posude za led). Staviti posudu u zamrzivač i sačekati najmanje dva sata, kako bi se formirale kockice leda. Kada se kockice formiraju, polako uvrnite posudu kako biste razdvojili kockice od posude.



Napomena: Ukoliko se posuda za led koristi prvi puta ili nije korišćena duže vreme, očistiti je pre upotrebe.

Vodomat (samo kod uređaja sa vodomatom)

Vodomat, koji se nalazi u vratima frižidera, služi za držanje pijače vode. Pomoću ovog uređaja lako možete dobiti hladnu vodu bez otvaranja frižidera. Potrebno je da se upoznate sa sledećim savetima.



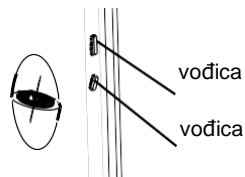
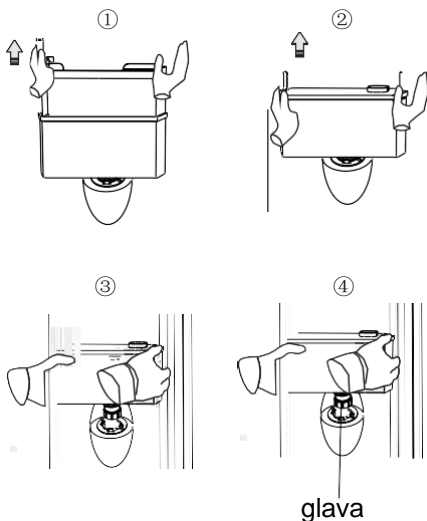
• Pre upotrebe

Pre prve upotrebe uređaja, potrebno je pratiti sledeće korake.

1. Držati jednu donju stranu police za vrata rukom, podiću suprotnu stranu drugom rukom a kada prorez na polici za vrata izađe iz vođice ponoviti korake suprotnim rukama.
2. Držati jednu donju stranu rezervoara za vodu rukom, podiću suprotnu stranu drugom rukom a kada prorez na rezervoaru za vodu izađe iz vođice ponoviti korake suprotnim rukama.
3. Držati čvrsto rezervoar za vodu sa obe strane, podići ga i izvaditi. 4. Odviti glavu, zatim očistiti glavu, poklopce i rezervoar za vodu.

Oprez!

Isprazniti rezervoar za vodu pre nego što ga izvadite

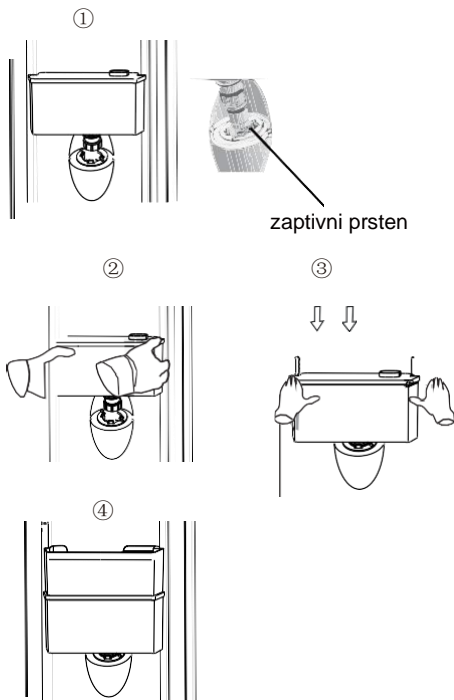


• Montaža

Nakon čišćenja, molimo vas da ponovo spojite delove, uključujući glavu, rezervoar za vodu i poklopce na sledeći način:

1. Najpre staviti zaptivni prsten (zaptivni prsten se ne sme izvrnuti), zatim ubaciti glavu u otvor.
2. Čvrsto držati obe strane rezervoara za vodu, postaviti rezervoar za vodu na vođice na vratima.
3. Gurnuti obe strane rezervoara za vodu nadole kao što je prikazano na slici.
4. Kada čujete klik sa obe strane, tada je rezervoar za vodu pričvršćen za kućište vrata. To znači da je montaža gotova.

Zatim postaviti i srednju policu.



• Punjenje vodom

Pre nego što rezervoar za vodu napunite pijaćom vodom, uverite se da je rezervoar za vodu stabilan i u pravilnom položaju.

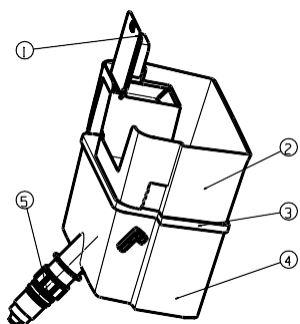
Opresz!

Napunite do 2.5 l vode (sugestija) i nikako iznad obeleženog nivoa.

U suprotnom može doći do preliivanja kada se poklopci zatvore.

Preporučujemo da rezervoar punitte vodom na sledeći način.

Otvoriti mali poklopac i napuniti vodom preko ulaznog otvora srednje police.



① poklopac dovoda vode ② srednja polica

③ poklopac posude za držanje vode

④ posuda za vodu

⑤ glava

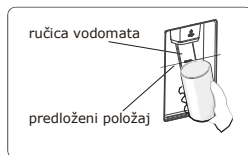
Upozorenje!

Ne dodirivati ostale delove uređaja prilikom punjenja vodom, jer može doći do prosipanja vode.

Molimo Vas da vodu sipate polako da ne bi preliila.

Sipanje vode

- Trebalo bi da koristite odgovarajuću čašu u koju ćete sipati vodu ispod uređaja za točenje.



Upozorenje!

- Ne gurati polugu uređaja za točenje vode unapred bez šolje, jer to može izazvati curenje vode iz uređaja za točenje.

Redo- sled	Tip	Ciljana temp. skladištenja [°C]	Odgovarajuće namirnice
1	Frižider	+2~+8	Jaja, kuvana hrana, upakovana hrana, voće i povrće, mlečni proizvodi, torte, pića i druge namirnice koje nisu podesne za zamrzavanje.
2	(***)*- Zamrzivač	≤-18	Morska hrana (riba, škampi, školjke), namirnice od slatkovodnih životinja i proizvodi od mesa (preporučeno 3 meseca, što je duže vreme čuvanja, lošiji je ukus i hranljiva vrednost), podesno za zamrznutu svežu hranu.
3	***-Zamrzivač	≤-18	Morska hrana (riba, škampi, školjke), namirnice od slatkovodnih životinja i proizvodi od mesa (preporučeno 3 meseca, što je duže vreme čuvanja, lošiji je ukus i hranljiva vrednost), nije podesno za zamrznutu svežu hranu.
4	** -Zamrzivač	≤-12	Morska hrana (riba, škampi, školjke), namirnice od slatkovodnih životinja i proizvodi od mesa (preporučeno 2 meseca, što je duže vreme čuvanja, lošiji je ukus i hranljiva vrednost), nije podesno za zamrznutu svežu hranu.
5	*-Zamrzivač	≤-6	Morska hrana (riba, škampi, školjke), namirnice od slatkovodnih životinja i proizvodi od mesa (preporučeno 1 meseca, što je duže vreme čuvanja, lošiji je ukus i hranljiva vrednost).
6	0-zvezdica	-6~0	Sveža svinjetina, junetina, riba, piletina, određene upakovane prehrambene namirnice, itd. (Preporučeno da se jedne istog dana, uz preporuku da ne prođe više od 3 dana). Delimično upakovane prehrambene namirnice (namirnice koje se ne smeju zamrzavati)
7	Hlađenje	-2~+3	Sveža/zamrznuta svinjetina, junetina, piletina, proizvodi od slatkovodnih životinja, itd. (7 dana ispod 0°C a iznad 0°C se preporučuje za konzumaciju istog dana, poželjno ne duže od 2 dana). Morska hrana (ispod 0°C stepeni 15 dana, ne preporučuje se držanje na temperaturi višoj od 0°C)
8	Sveža hrana	0~+4	Sveža svinjetina, junetina, riba, piletina, kuvana hrana, itd. (Preporučuje se da se pojedje istog dana, poželjno nakon ne više od 3 dana)
9	Vino	+5~+20	crveno vino, belo vino, penušavo vino, itd.

Napomena: molimo vas da različite namirnice čuvate u skladu sa odeljcima, odnosno ciljnim temperaturama čuvanja u vašem uređaju.

- Ukoliko je rashladni uređaj prazan duže vreme, isključiti ga, otopiti, očistiti, osušiti i ostaviti vrata otvorenim kako bi se sprečilo formiranje buđi u uređaju.

Korisni saveti

Saveti za uštedu energije

Preporučujemo da poštujuete savete koji su dati u nastavku kako biste uštedeli struju.

- Izbegavati duže otvaranje vrata kako bi se uštedela energija.
- Uverite se da su uređaji daleko od svih izvora toplote (direktna sunčeva svetlost, električna rerna ili šporet, itd.)
- Ne podešavati nižu temperaturu nego što je to potrebno.
- Ne stavljati toplu hranu ili tečnosti koje isparavaju u uređaj.
- Postaviti uređaj u dobro provetrenu prostoriju bez vlage. Pročitati poglavlje Instaliranje vašeg novog uređaja.
- Ukoliko dijagram pokazuje tačan raspored fijoka, odeljka za održavanje svežine i police, ne menjati takvu kombinaciju jer je projektovana tako da omogući najveće uštede energije.

Saveti za čuvanje sveže hrane

- Ne stavljati vrelu hranu direktno u frižider ili zamrzivač, unutrašnja temperatura će se povećati što je uzrokovati neprekidan rad kompresora i veću potrošnju struje.
- Pokriti ili obmotati hranu, naročito ukoliko ima jak miris.
- Pravilno rasporediti namirnice kako bi se omogućila cirkulacija vazduha oko njih.

Saveti za hlađenje

- Meso (sve vrste) umotati u polietilensku foliju za hranu i staviti na staklenu policu iznad fijoke za povrće. Uvek poštovati rokove čuvanja namirnica i iskoristiti ih do datuma koje preporučuju proizvođači.
- Kuvana hrana, hladna jela, itd.:
Potrebno je pokriti ih i mogu se postaviti na bilo koju policu.
- Voće i povrće:
Potrebno je držati ih u specijalnoj fijoci koja je predviđena za tu svrhu.
- Maslac i sir:

Obmotati nepropusnom aluminijumskom ili plastičnom folijom.

➤ Flaše za mleko:

Moraju imati poklopac i moraju se držati u polici u vratima.

Saveti za zamrzavanje

- Prilikom prvog uključivanja nakon dužeg perioda nekorišćenja, ostaviti uređaj da radi najmanje 2 sata na višoj temperaturi pre stavljanja hrane u komoru.
- Namirnice podeliti u male porcije kako bi se omogućilo njihovo brzo i potpuno zamrzavanje i kasnije omogućilo otapanje samo one količine koja je potrebna.
- Umotati namirnice u aluminijumsku foliju ili polietilensku foliju za hranu koje omogućuju dobru zaptivenost,
- Sprečiti da sveža, nezamrznuta hrana dodirne zamrznutu hranu, kako bi se izbegao zagrevanje zamrznute hrane.
- Ukoliko se ledeni proizvodi konzumiraju odmah po vađenju iz zamrzivača, verovatno će izazvati promrzline na koži.
- Preporučuje se da se na svakom zamrznutom pakovanju napiše naziv i datum zamrzavanja kako bi se pratilo vreme držanja.

Saveti za čuvanje zamrznutih namirnica

- Uveriti se da je zamrznuta hrana pravilno čuvana u prodavnici.
- Kada se odlede, namirnice brzo propadaju i ne mogu se ponovo zalediti. Ne prekoračivati period čuvanja koji je naznačen od strane proizvođača.

Isključivanje vašeg uređaja

Ukoliko je potrebno isključiti uređaj na duži vremenski period, potrebno je preduzeti sledeće korake kako bi se sprečila pojava buđi u uređaju.

1. Izvaditi svu hranu.
2. Izvaditi utikač iz utičnice.
3. Temeljno očistiti i osušiti unutrašnjost.
4. Uveriti se da su oba vrata blokirana u blago otvorenom položaju kako bi se omogućila cirkulacija vazduha.

Čišćenje i nega

Iz higijenskih razloga uređaj (uključujući unutrašnje i spoljašnje elemente) bi trebalo redovno čistiti, najmanje svaka dva meseca.

Upozorenje!

- Uređaj ne bi trebalo da bude uključen u struju tokom čišćenja jer postoji opasnost od strujnog udara! Pre održavanja, isključiti uređaj i izvaditi glavni utikač iz utičnice.

Čišćenje spoljašnjosti

- Kako bi se zadržao dobar izgled uređaja, potrebno je redovno čišćenje.
- Prebrisati upravljački panel čistom, mekom krpom.
- Naprskati vodom krpu za čišćenje umesto prskanja direktno na površinu uređaja. To omogućuje ravnomerno nanošenje vlage na površinu.
- Očistiti vrata, ručice i površine kutije blagim deterdžentom pa zatim obrisati mekom krpom.



Opres!

- Ne koristiti oštre predmete jer mogu izgubiti površinu.
- Ne koristiti razređivače, deterdžent za automobile, Clorox, eterična ulja, abrazivna sredstva ili

organske razređivače kao što je benzen, za čišćenje. Ona mogu oštetiti površinu uređaja i mogu izazvati požar.

Čišćenje unutrašnjosti

- Potrebno je redovno čistiti unutrašnjost uređaja. Lakše je očistiti uređaj kad je u njemu malo hrane. Prebrisati unutrašnjost frižidera i zamrzivača blagim rastvorom sode bikarbone a zatim isprati toplom vodom pomoću isečenog sundera ili krpe. Pre ponovnog postavljanja policica i kutije za održavanje svežine prebrisati unutrašnjost dok ne bude potpuno suva. Dobro osušiti sve površine i montažne delove pre vraćanja na mesto.



- Iako se ovaj uređaj automatski otapa, na unutrašnjim zidovima komore zamrzivača se može formirati sloj leda ukoliko se vrata zamrzivača često otvaraju ili se predugo drže otvorenim. Ukoliko je led previše debeo, izabrati trenutak kada je zamrzivač skoro prazan i postupiti na sledeći način:

1. Izvaditi hranu i pomoćne elemente, isključiti uređaj iz struje i ostaviti otvorena vrata. Dobro provetriti prostoriju kako bi se ubrzao procesa otapanja.
2. Kada je otapanje gotovo, očistiti zamrzivač kao što je opisano u nastavku.

Oprez!

- Ne koristiti oštre predmete za uklanjanje leda iz komore zamrzivača. Tek kada se unutrašnjost potpuno osuši uređaj bi trebalo uključiti u struju.

Čišćenje dihtunga vrata

- Voditi računa da dihtunzi vrata budu uvek čisti. Lepljiva hrana i pića mogu uzrokovati slepljivanje dihtunga za konstrukciju i njihovo cepanje prilikom otvaranja vrata. Isprati dihtung blagim deterdžentom i toplom vodom. Isprati i dobro osušiti nakon čišćenja.

Oprez!

- Uređaj se može uključiti tek nakon što se dihtunzi vrata potpuno osuše.

Zamena LED sijalice: Upozorenje:

- LED sijalicu bi trebalo da zameni

stručno lice. Ukoliko je LED sijalica oštećena, kontaktirati korisničku službu za pomoć. Za zamenu LED sijalice pratiti korake koji su opisani u nastavku:

1. Isključiti uređaj iz struje.
2. Ukloniti poklopac sijalice podizanjem nagore i povlačenjem.
3. Jednom rukom držati poklopac LED sijalice i povući ga drugu rukom uz istovremeno pritiskanje jezička za pričvršćivanje.
4. Zameniti LED sijalicu pa postaviti poklopac.

Čišćenje uređaja za točenje vode (važi za proizvode sa uređajem za točenje vode):

- Očistiti rezervoare za vodu ukoliko nisu korišćeni 48h, isprati sistem za vodu koji je povezan sa dovodom vode ukoliko voda nije točena 5 dana.

Otklanjanje problema

Ukoliko se suočite sa problemom u vezi sa vašim uređajem ili mislite da vaš uređaj ne funkcioniše kako treba, možete obaviti neke jednostavne provere pre pozivanja servisa, kao što je opisano u nastavku.

Upozorenje! Ne pokušavajte da sami popravite uređaj. Ukoliko se problem nastavi nakon što se obavili provere pomenute u nastavku, kontaktirajte kvalifikovanog električara, ovlašćenog servisera ili prodavnicu u kojoj ste kupili proizvod.

Problem:	Mogući uzrok i rešenje
Uređaj ne funkcioniše kako treba	<ul style="list-style-type: none">➤ Proveriti da li je utikač pravilno uključen u utičnicu.➤ Proveriti osigurač ili strujno kolo vašeg napajanja, zameniti ukoliko je potrebno.➤ Temperatura sredine je preniska. Pokušati sa podešavanjem temperature komore na niži nivo kako bi se razrešio ovaj problem.➤ Tokom ciklusa automatskog otapanja kao i kratko vreme nakon uključivanja uređaja, zamrzivač obično ne radi kako bi se zaštitio kompresor.
Neprijatni mirisi iz komora	<ul style="list-style-type: none">➤ Unutrašnjost se možda mora očistiti.➤ Neke namirnice, posude ili omotači mogu izazvati neprijatne mirise.
Šum iz uređaja	<p>Zvuci opisani u nastavku su normalni:</p> <ul style="list-style-type: none">➤ Šum prilikom rada kompresora.➤ Šum od kretanja vazduha od malog motora ventilatora u komori zamrzivača ili drugim komorama.➤ Zvuk mehurića sličan kao pri ključanju vode.➤ Zvuk pucanja nakon automatskog otapanja.➤ Zvuk klikova pre uključivanja kompresora. <p>Drugi neuobičajeni šumovi su posledica opisanih razloga i možda će zahtevati vašu proveru i preduzimanje mera:</p> <ul style="list-style-type: none">➤ Frižider nije nivelisan.➤ Zadnja strana uređaja dodiruje zid.➤ Flaše ili posude se međusobno udaraju.
Neprekidan rad motora	<p>Normalno je da se zvuk motora često čuje, jer će u sledećim okolnostima morati više da radi:</p> <ul style="list-style-type: none">➤ Podešena temperatura je niža nego što je potrebno➤ Velika količina vruće hrane je nedavno stavljena u uređaj.➤ Temperatura van uređaja je previsoka.➤ Vrata su predugo otvorena ili se otvaraju prečesto.➤ Nakon instaliranja uređaja ili dugog perioda van upotrebe.

Problem:	Mogući uzrok i rešenje
U komori se javlja sloj leda	<ul style="list-style-type: none"> ➤ Proveriti da otvori za vazduh nisu blokirani hranom i uveriti se da je hrana raspoređena u uređaju tako da je omogućena dovoljna ventilacija. Uveriti se da su vrata potpuno zatvorena. Za uklanjanje leda molimo Vas da pogledate poglavlje Čišćenje i nega.
Unutrašnja temperatura je previsoka	<ul style="list-style-type: none"> ➤ Možda ste ostavili vrata otvorenim predugo ili prečesto; ili su vrata otvorena zbog neke prepreke; ili je uređaj postavljen tako da nije obezbeđeno dovoljno slobodnog prostora sa bočnih strana, sa zadnje ili sa gornje strane.
Unutrašnja temperatura je preniska	<ul style="list-style-type: none"> ➤ Povećati temperaturu u skladu sa poglavljem "Upravljački panel".
Vrata se ne mogu lako zatvoriti	<ul style="list-style-type: none"> ➤ Proveriti da li je gornji deo frižidera nagnut unazad za 10-15mm kako bi se omogućilo samostalno zatvaranje vrata, ili nešto unutra sprečava zatvaranje vrata.

Odlaganje uređaja

Zabranjeno je odlagati ovaj uređaj zajedno sa kućnim otpadom.

Ambalažni materijal

Ambalažni materijal obeležen simbolom za reciklažu se može reciklirati. Ambalažu odlagati u odgovarajući kontejner za otpad kako bi se omogućila njena reciklaža.

Pre odlaganja uređaja

1. Izvući utikač iz utičnice.
2. Iseći strujni kabl i odložiti ga zajedno sa utikačem

Upozorenje! Frižideri sadrže rashladno sredstvo i gasove u izolaciji. Rashladno sredstvo i gasovi se moraju odlagati na stručan način jer mogu izazvati povrede očiju ili se mogu zapaliti. Uveriti se da cevi kola sa rashladnim sredstvom nisu oštećene pre pravilnog odlaganja.

Pravilno odlaganje ovog proizvoda



Ovaj simbol na proizvod ili na njegovoj ambalaži ukazuje na to da se ovaj proizvod ne sme tretirati kao običan otpad iz domaćinstva. Umesto toga, potrebno je odneti ga na odgovarajuće mesto za prikupljanje otpada za reciklažu električne i elektronske opreme. Obezbeđivanjem pravilnog odlaganja ovog proizvoda, pomoći ćete u sprečavanju negativnih posledica po životnu sredinu i zdravlje ljudi, koje bi inače bile izazvane neodgovarajućim odlaganjem ovog proizvoda. Za detaljnije informacije o recikliranju ovog proizvoda, molimo vas da kontaktirate lokalne nadležne organe, službu za odlaganje vašeg kućnog otpada ili prodavnicu u kojoj ste kupili proizvod.

Problem:	Possible cause & Solution
A layer of frost occurs in the compartment	<ul style="list-style-type: none"> ▶ Check that the air outlets are not blocked by food and ensure food is placed within the appliance to allow sufficient ventilation. Ensure the door can be fully closed. To remove the frost, please refer to the cleaning and care chapter.
Temperature inside is too warm	<ul style="list-style-type: none"> ▶ You may have left the doors open too long or too frequently; or the doors are kept open by some obstacle; or the appliance is located with insufficient clearance at the sides, back and top.
Temperature inside is too cold	<ul style="list-style-type: none"> ▶ Increase the temperature by following the "Control Panel" chapter.
Doors can't be closed easily	<ul style="list-style-type: none"> ▶ Check whether the top of the refrigerator is tilted back by 10-15mm to allow the doors to self close, or if something inside is preventing the doors from closing.

Disposal of the appliance

It is prohibited to dispose of this appliance as household waste.

Packaging materials

Packaging materials with the recycle symbol are recyclable. Dispose of the packaging into a suitable waste collection container to recycle it.

Before disposal of the appliance

1. Pull out the mains plug from the mains socket.
2. Cut off the power cord and discard with the mains plug.

Warning! Refrigerators contain refrigerant and gases in the insulation. Refrigerant and gases must be disposed of professionally as they may cause eye injuries or ignition. Ensure that tubing of the refrigerant circuit is not damaged prior to proper disposal.

Correct Disposal of this product



This symbol on the product or in its packing indicates that this product may not be treated as household waste. Instead, it should be taken to the appropriate waste collection point for the recycling of electrical and electronic equipment. By ensuring this product is disposed of correctly, you will help prevent potential negative consequences for the environment and human health, which could otherwise be caused by the inappropriate waste handling of this product. For more detailed information about the recycling of this product, please contact your local council your household waste disposal service, or the shop where you purchased the product.

Hisense

life reimagined