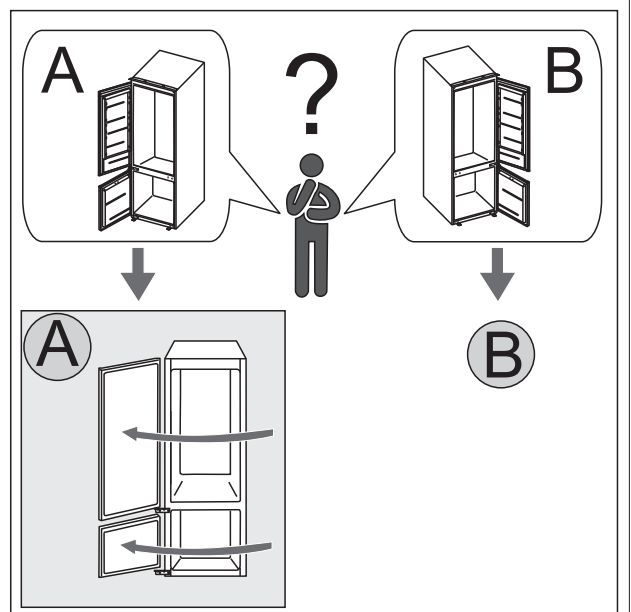
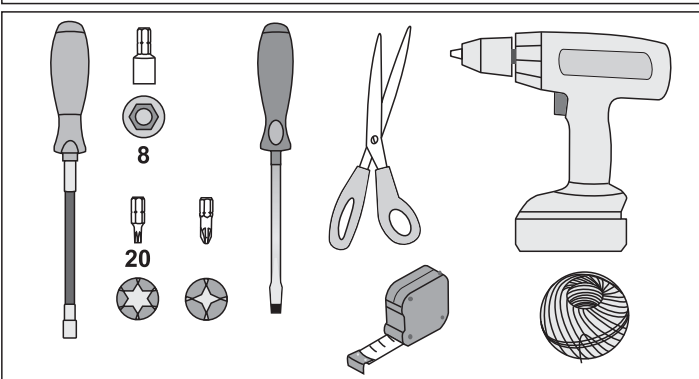
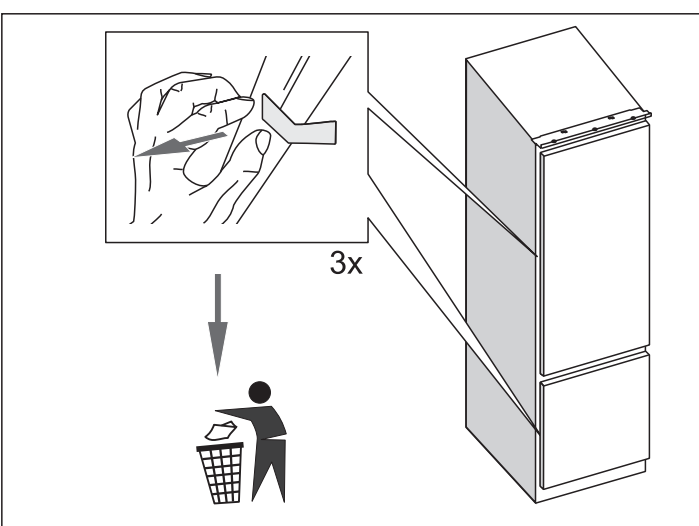
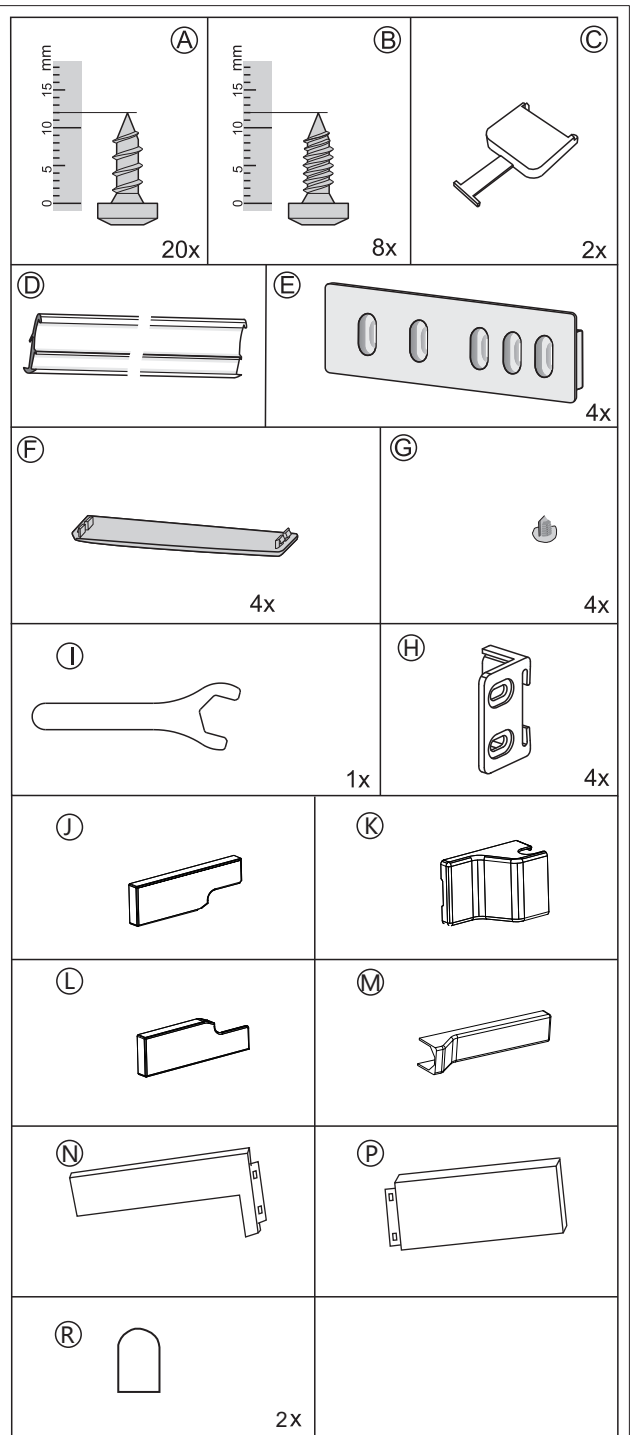
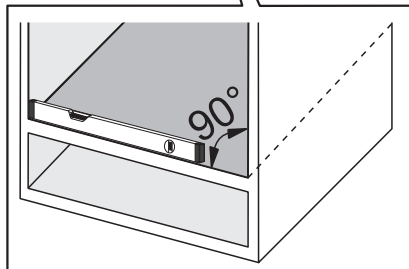
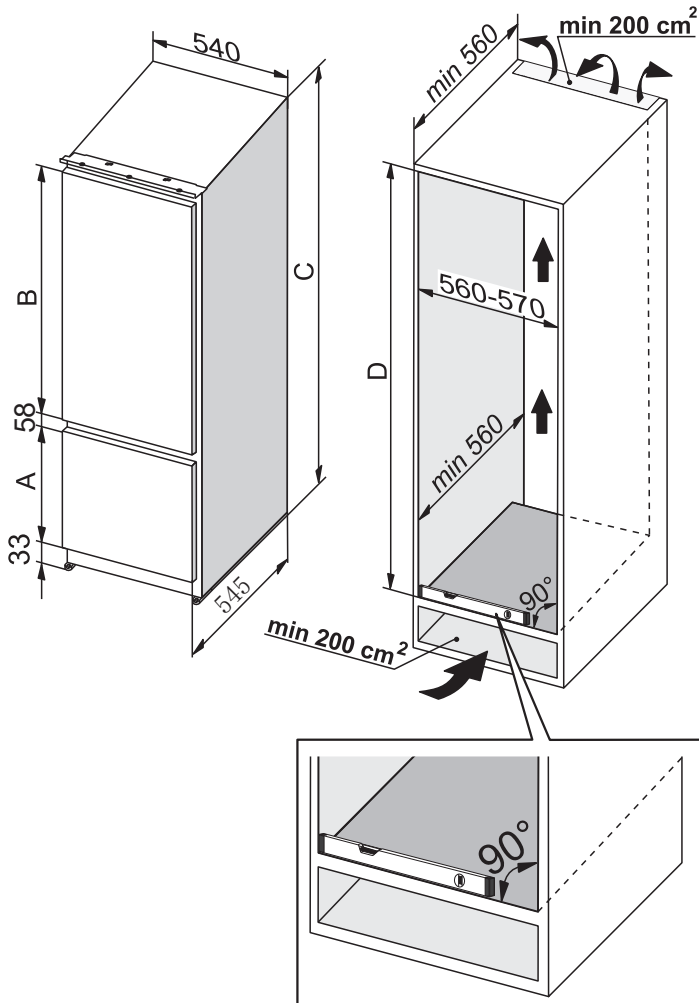


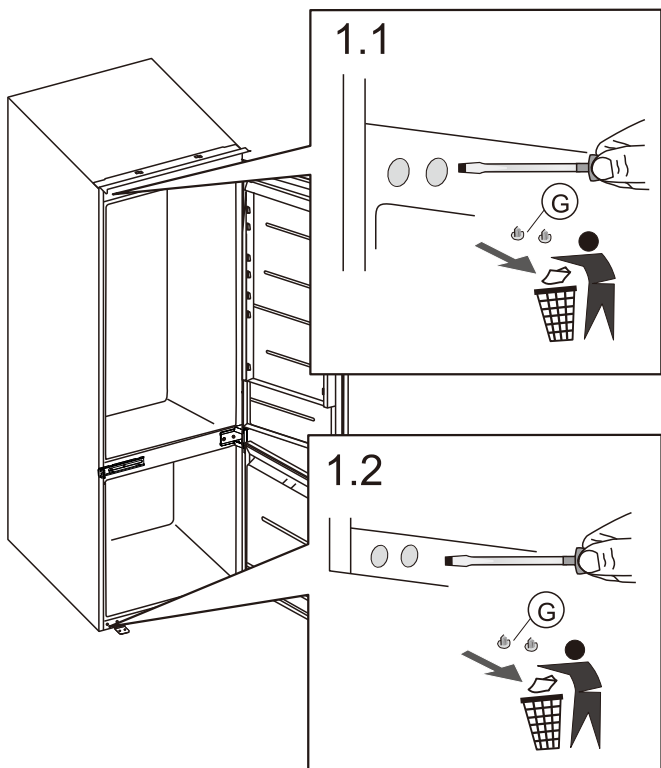


A (mm)	B (mm)	C (mm)	D (mm)
640	1149	1937	1939-1942

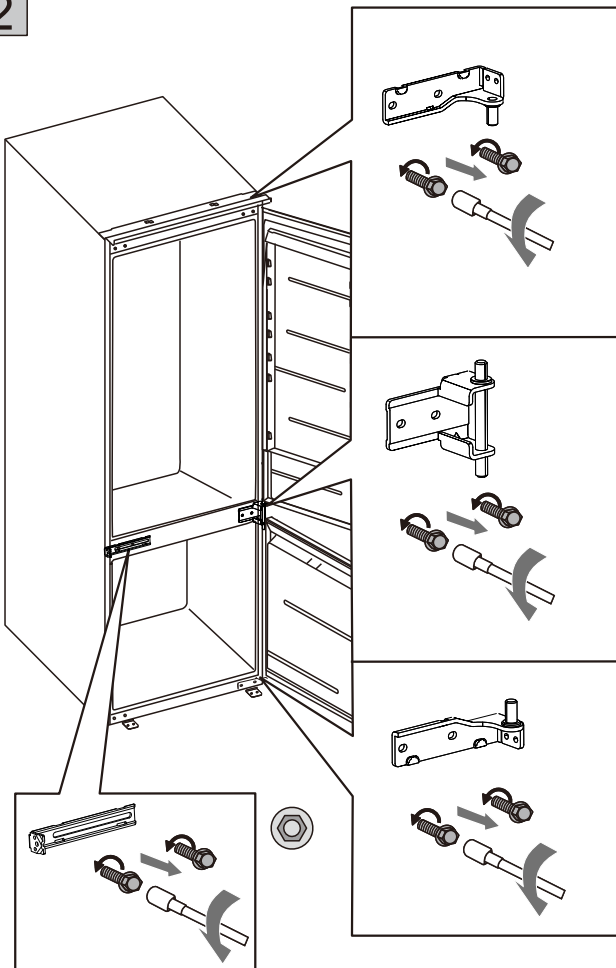


A

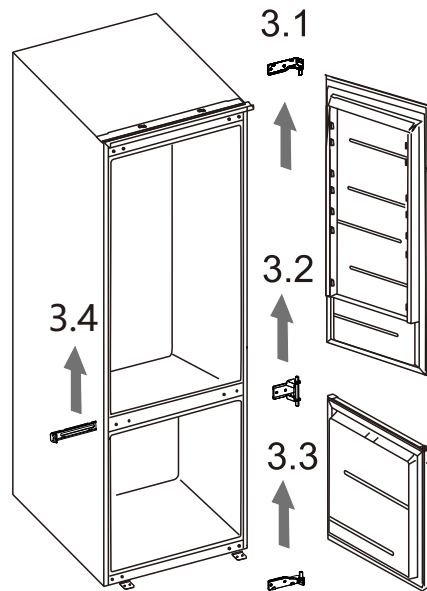
1



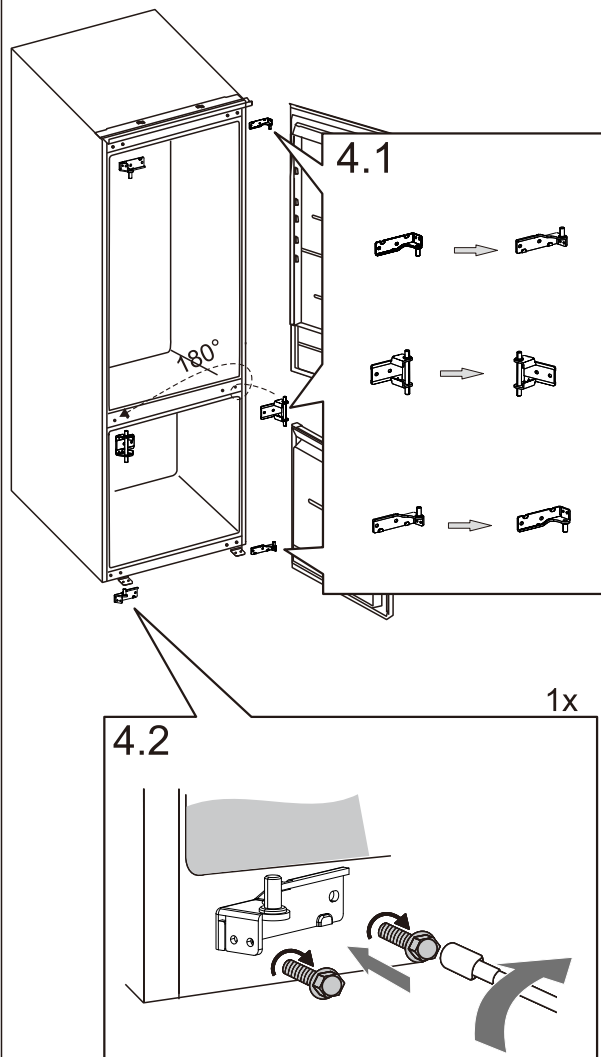
2

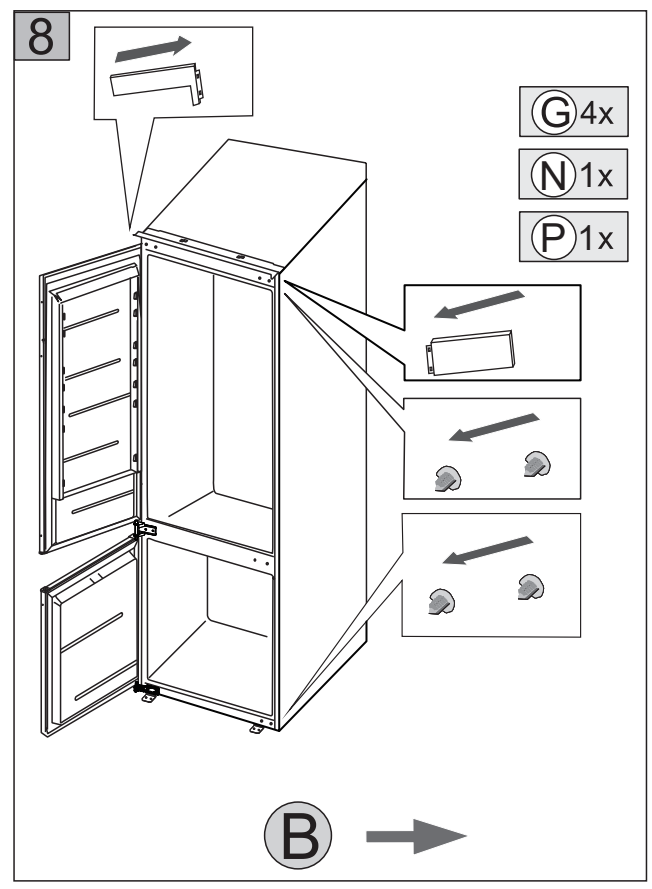
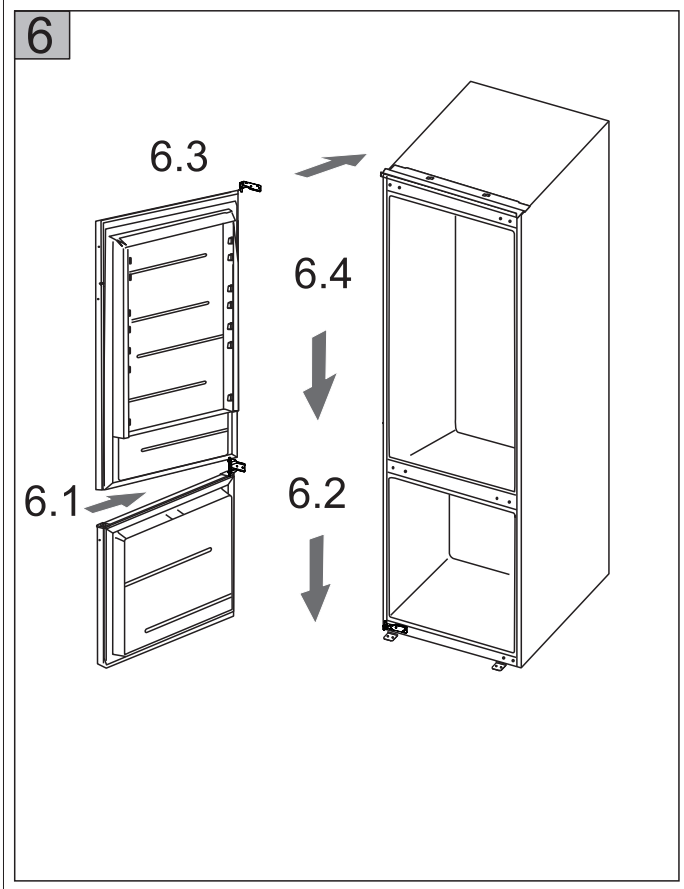
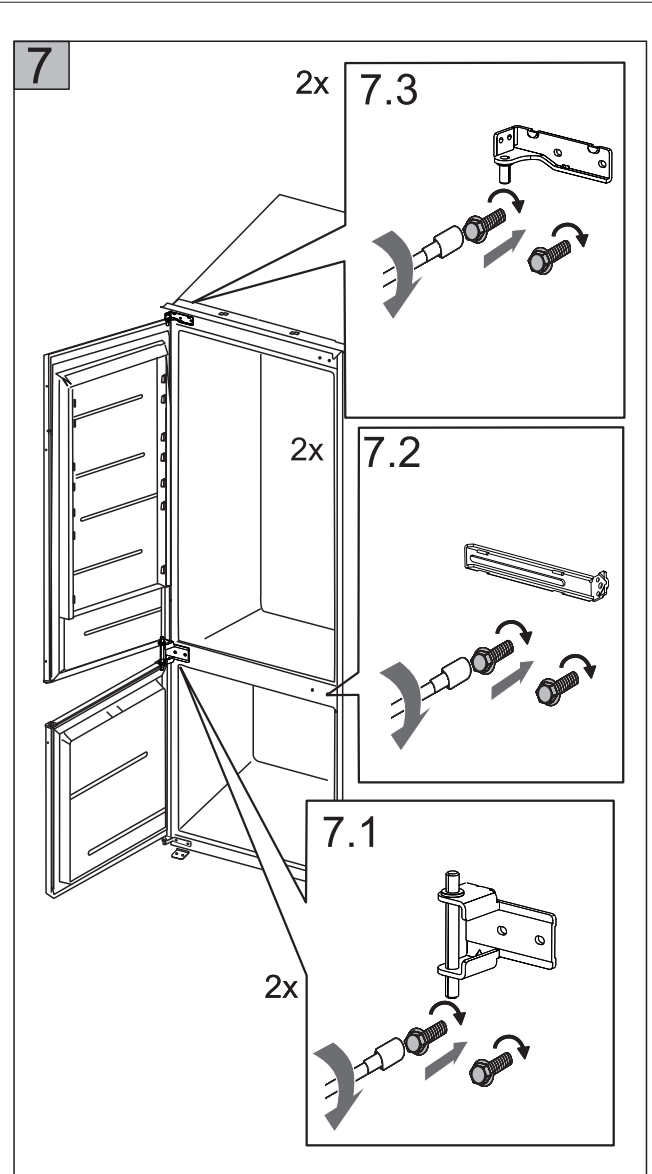
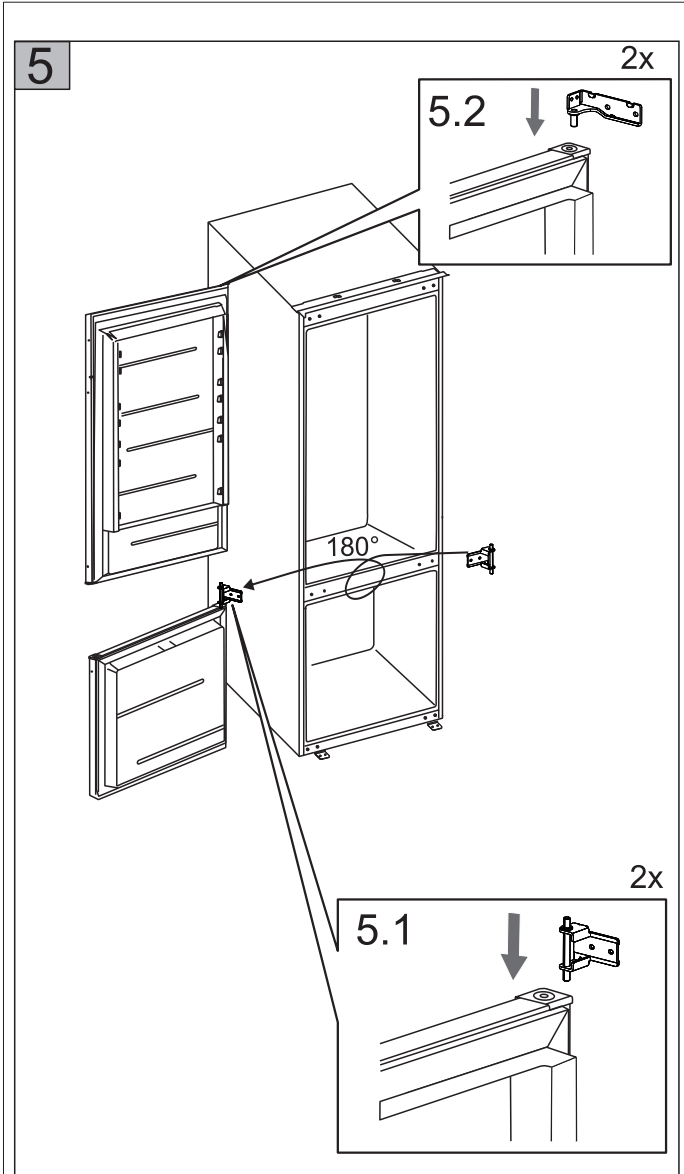


3

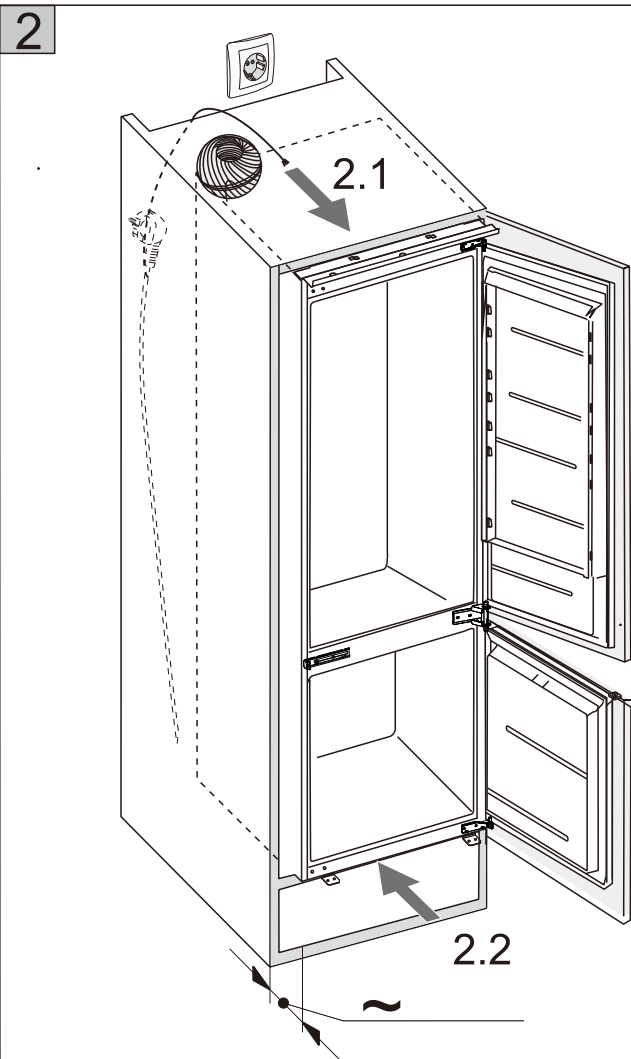
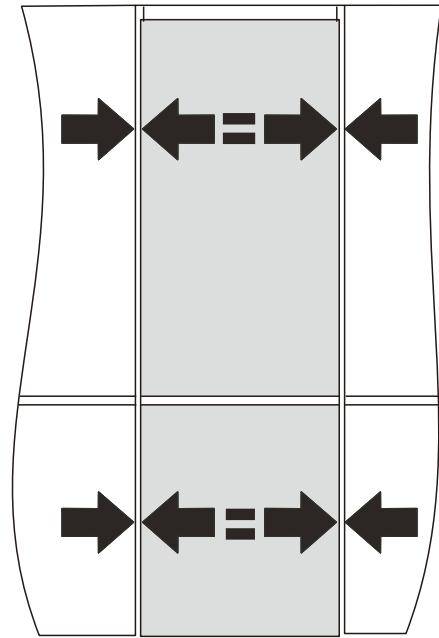
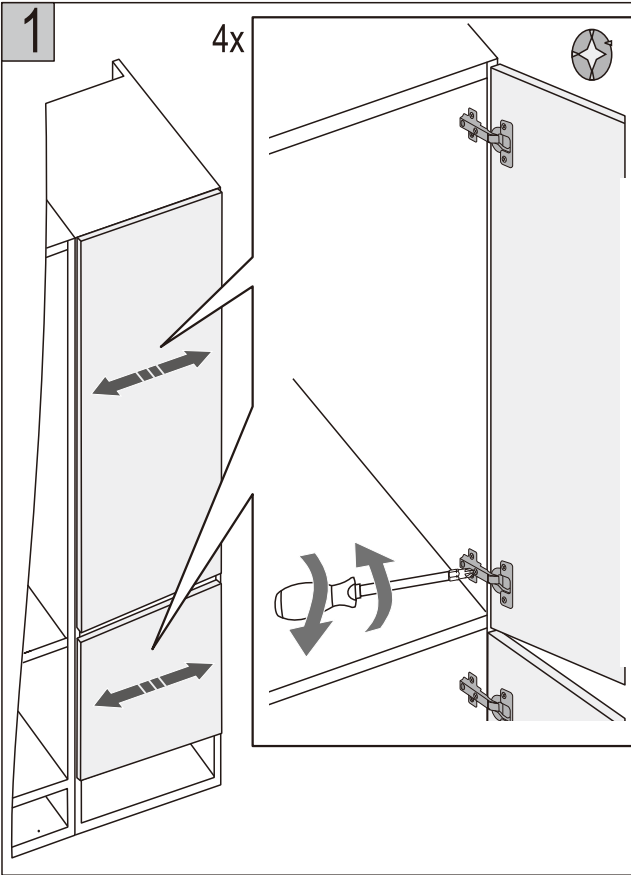


4





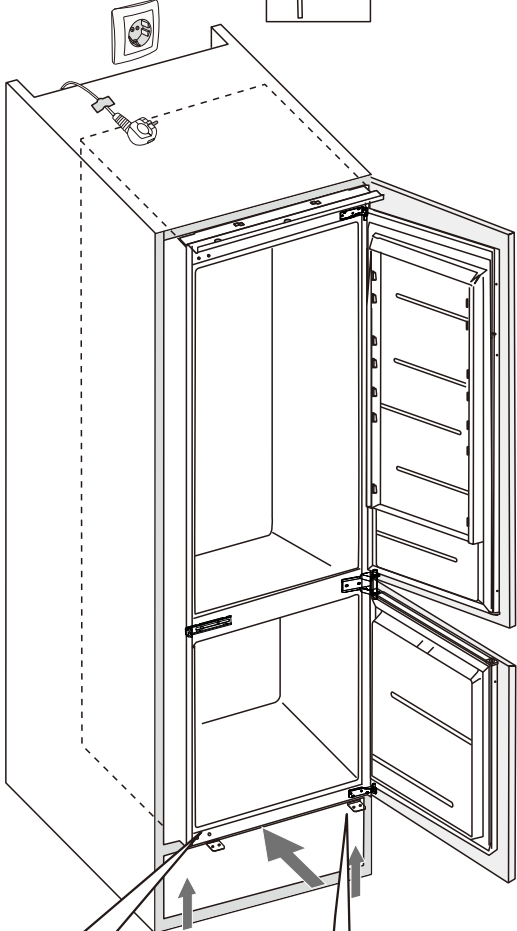
B



3

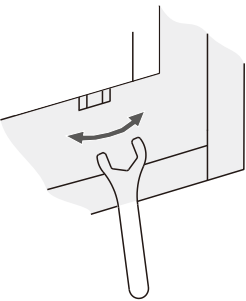
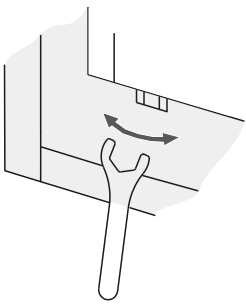


A 4x I 1x



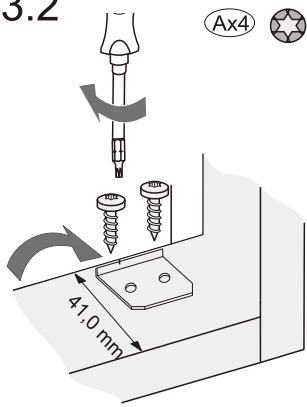
3.1

Ix1

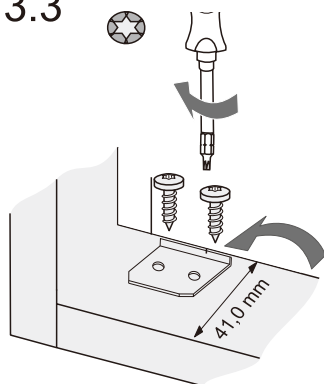


3.2

Ax4

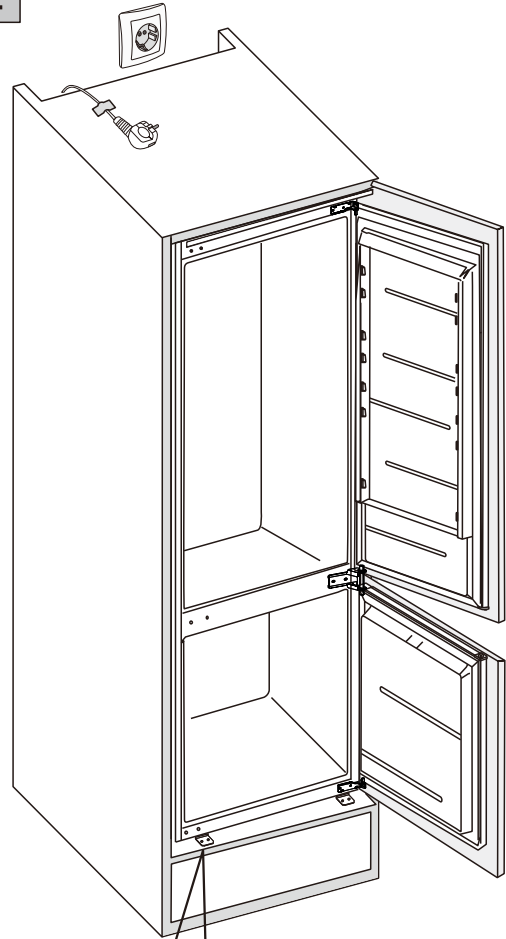


3.3

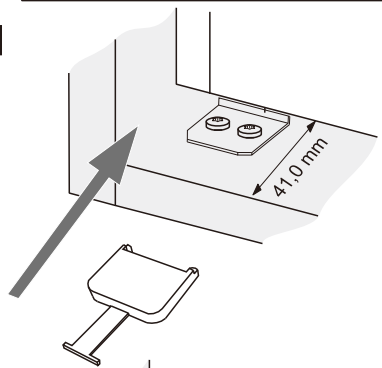


4

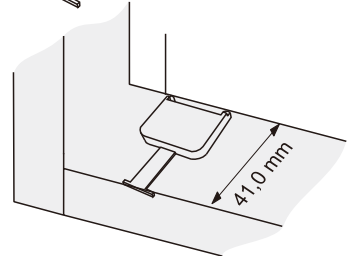
C 2x



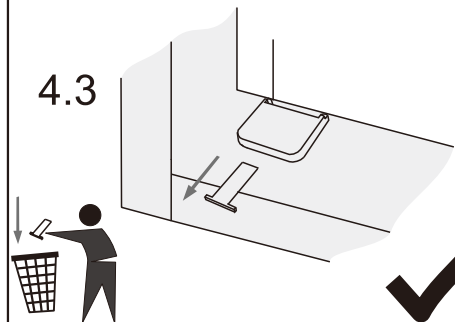
4.1



4.2



4.3



5

A 4x

5.1

0 mm

41,0 mm



5.2



Ax3

1x

5.3

Ax3

Rx2

6

H 4x

B 4x

D 1x

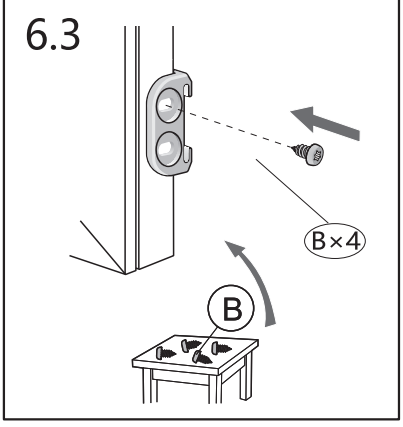
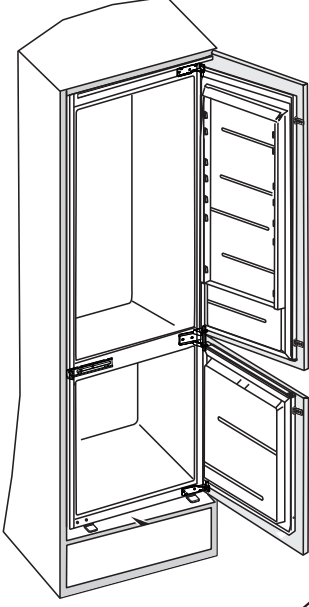
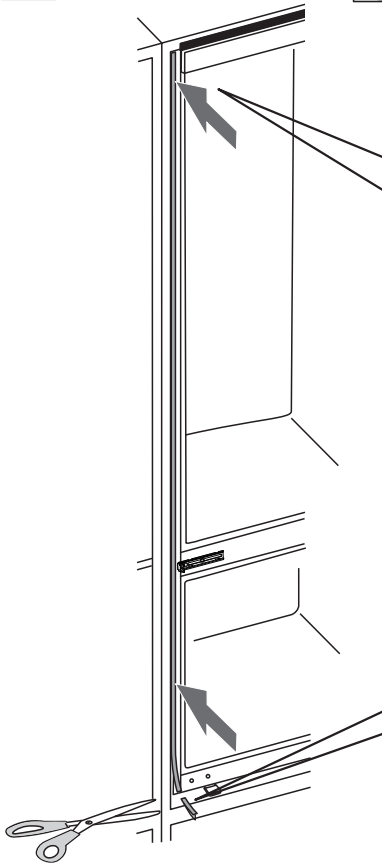
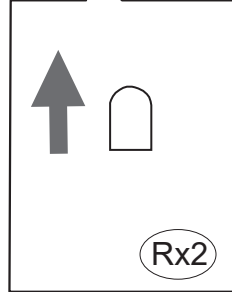
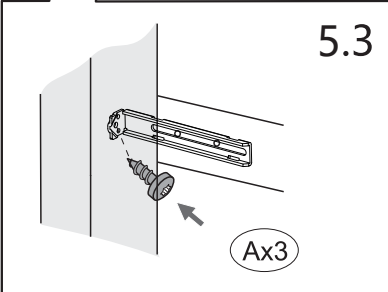
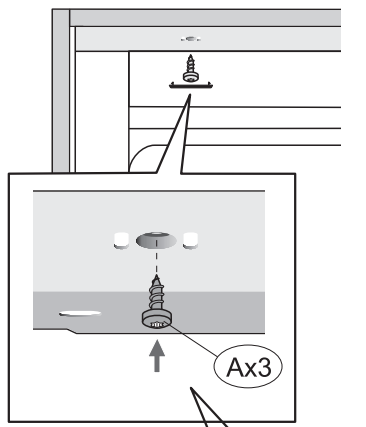
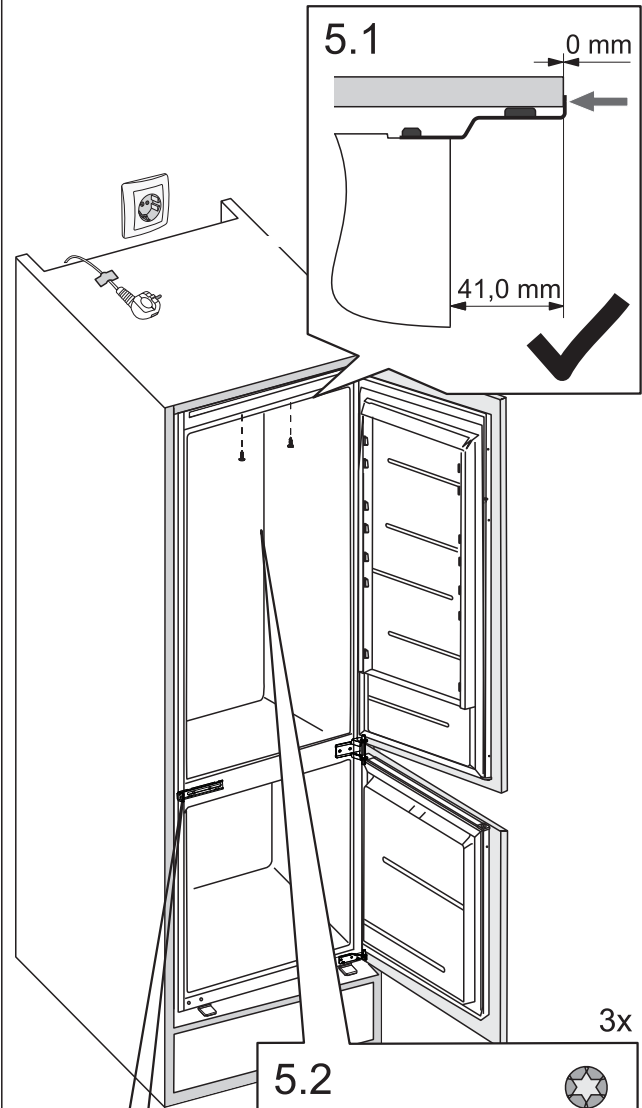
6.1

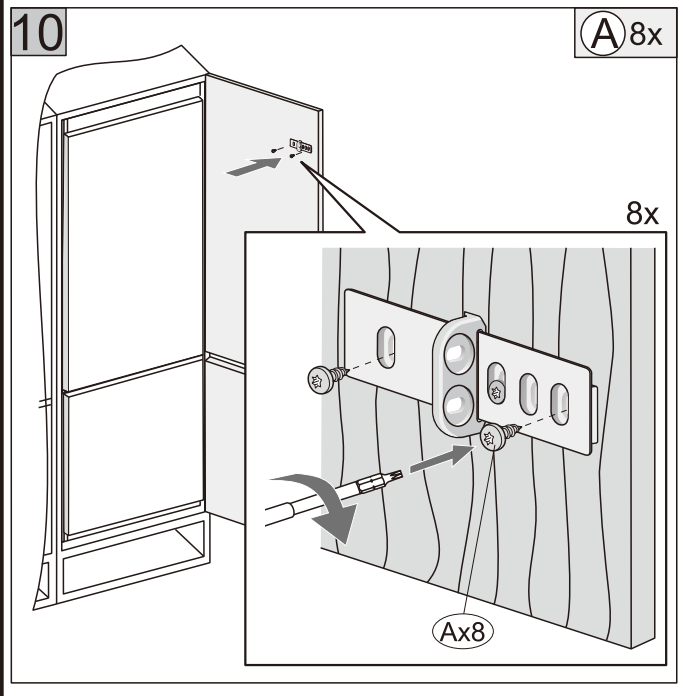
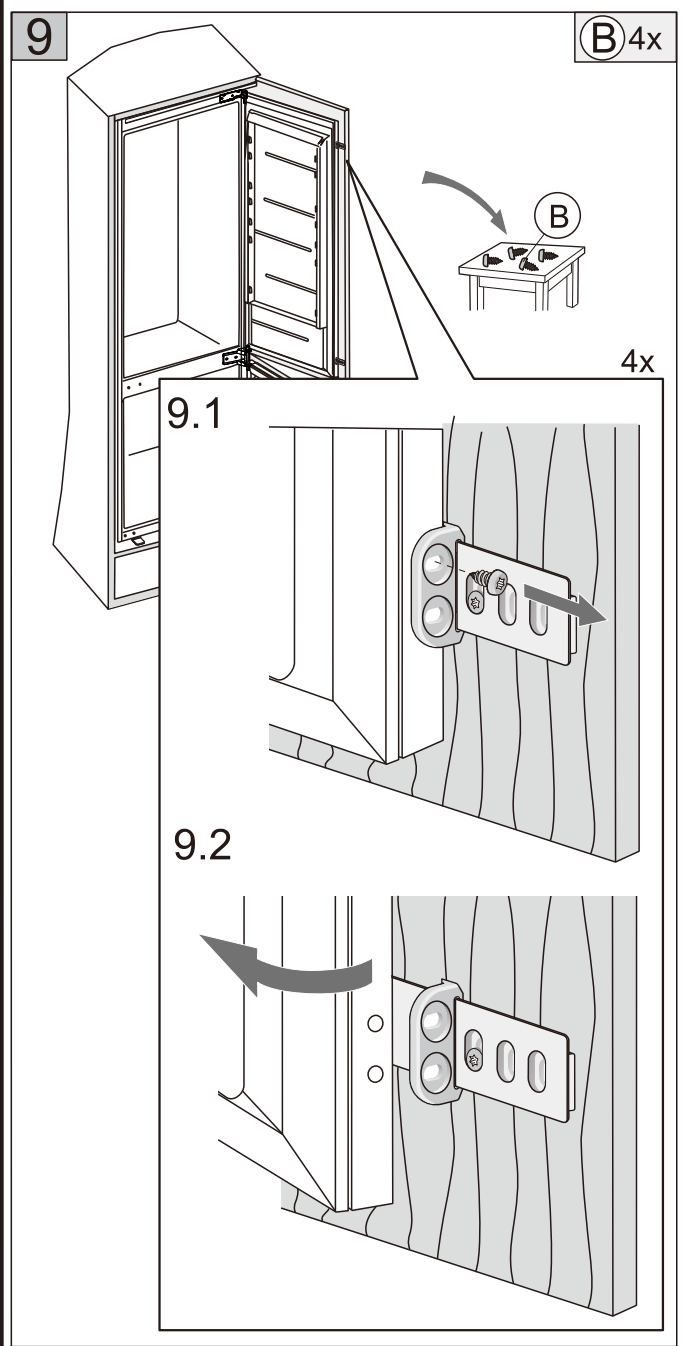
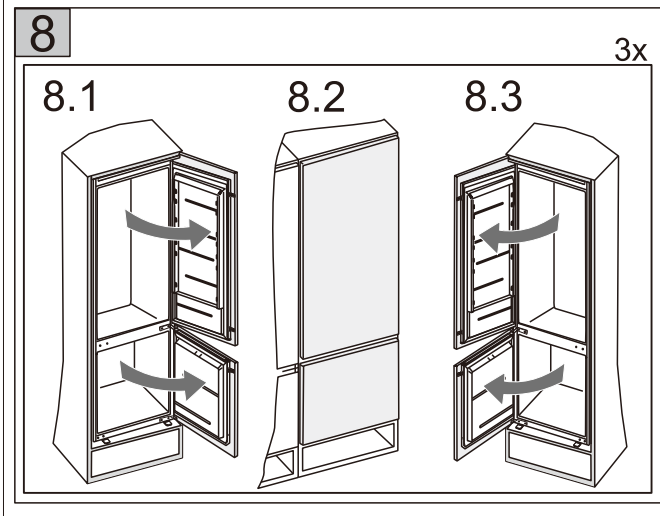
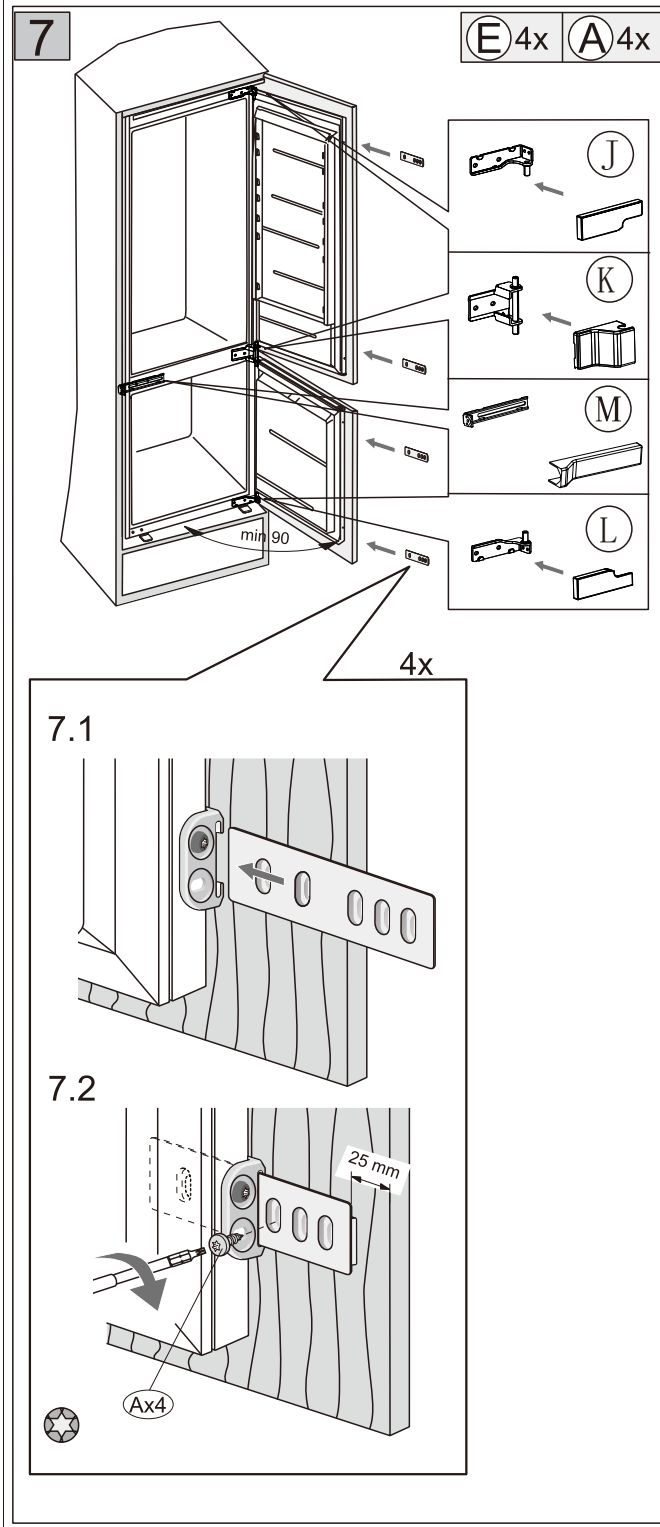
6.2

6.3

Bx4

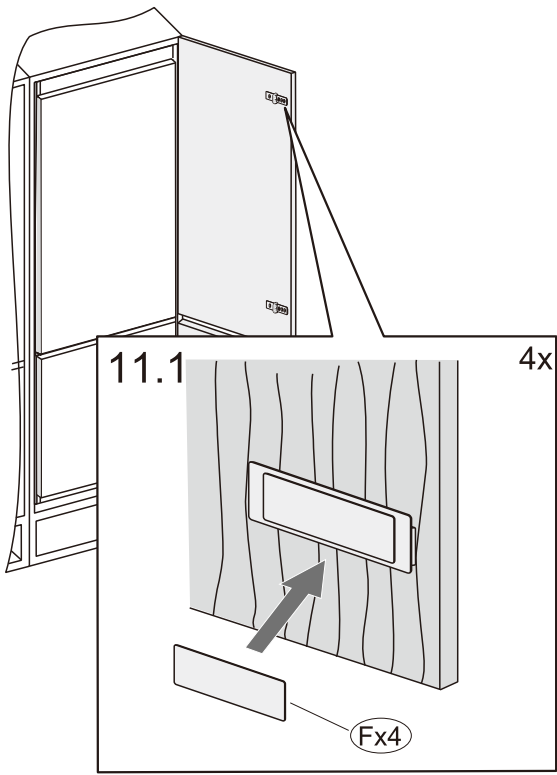
B





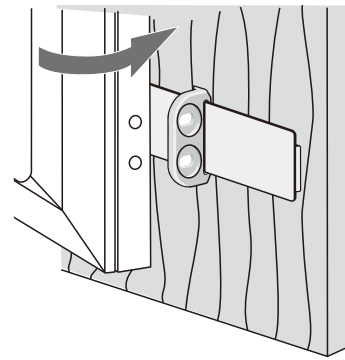
11

F 4x B 8x

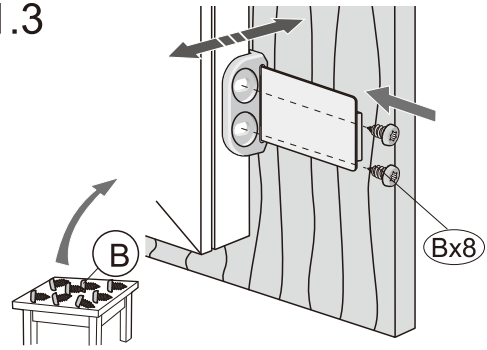


11.2

8x



11.3



b

