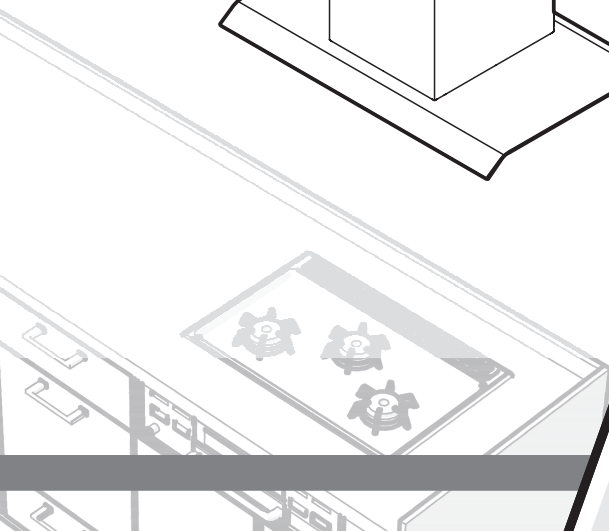
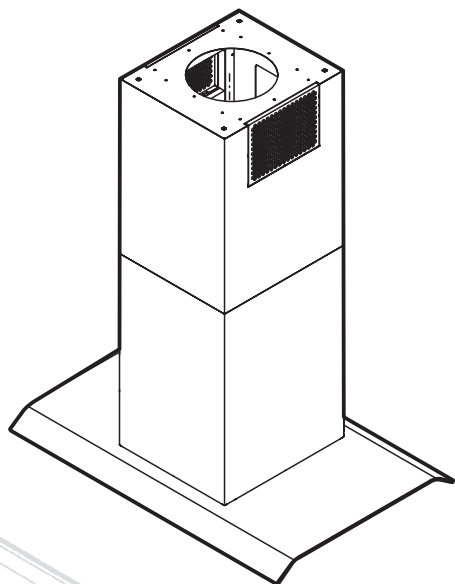
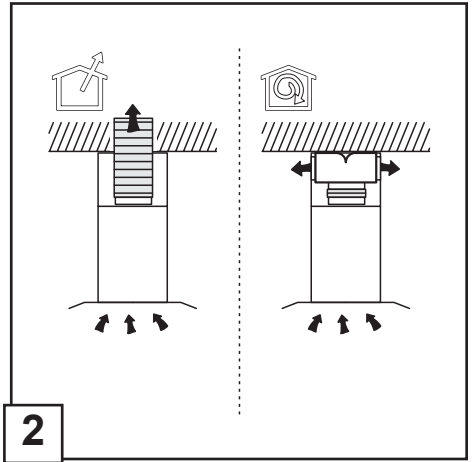
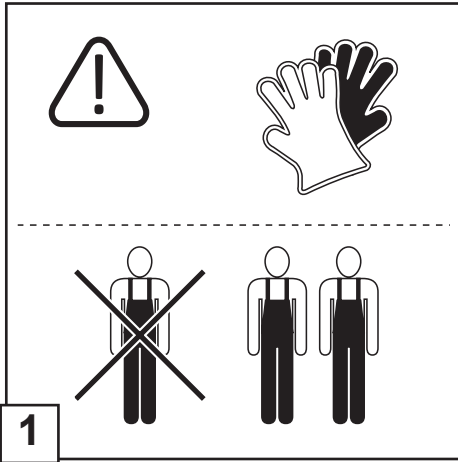


gorenje

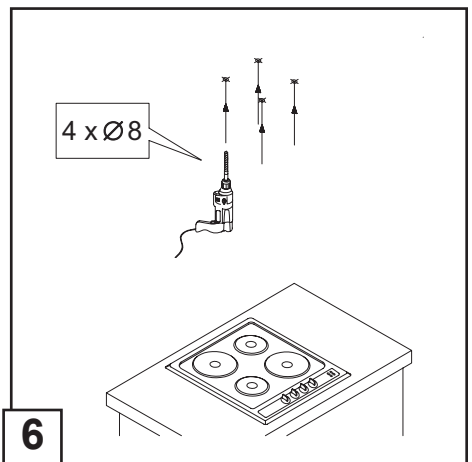
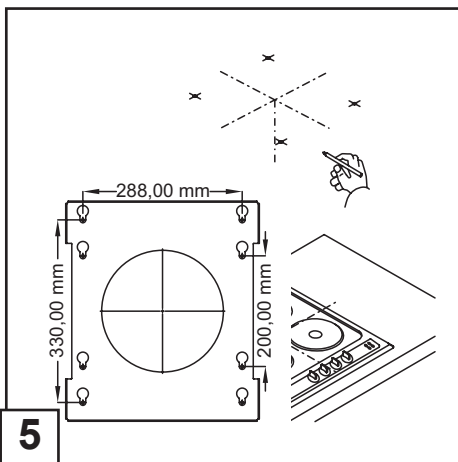
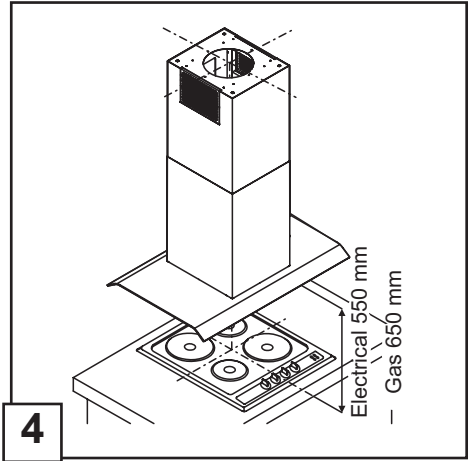
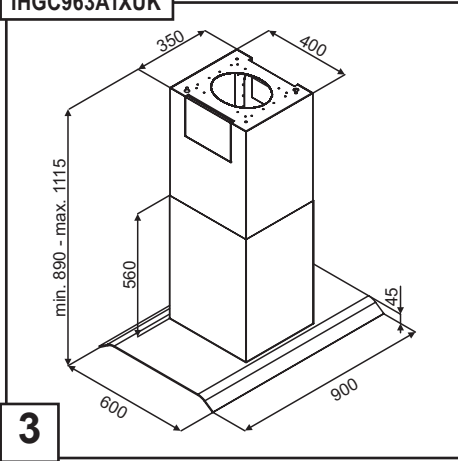


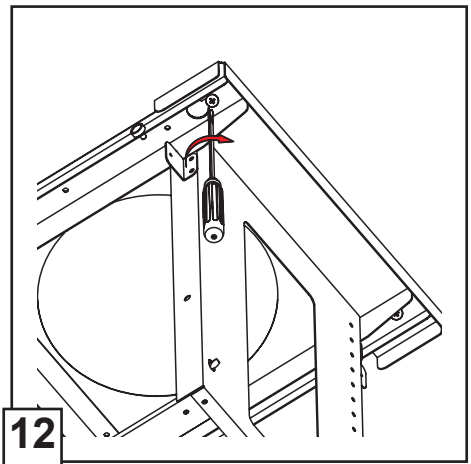
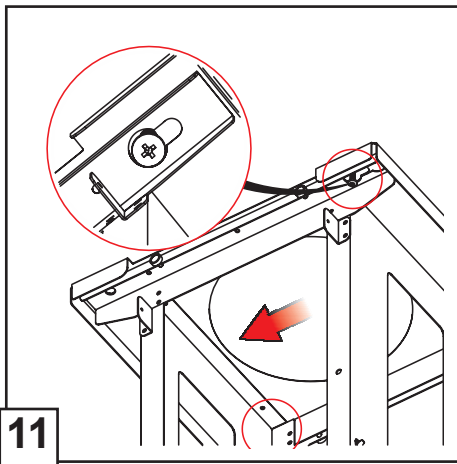
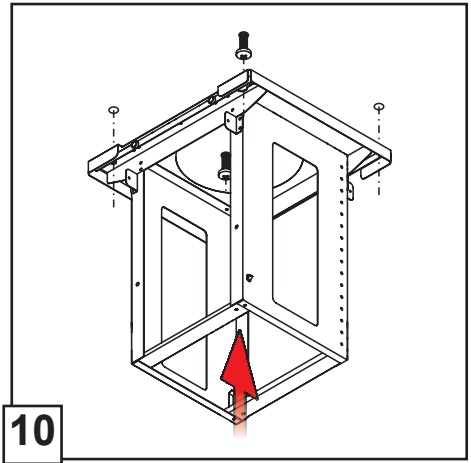
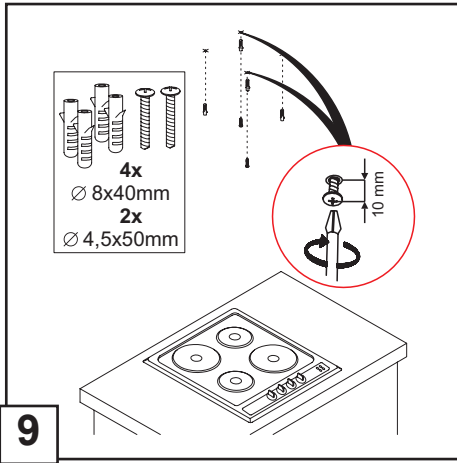
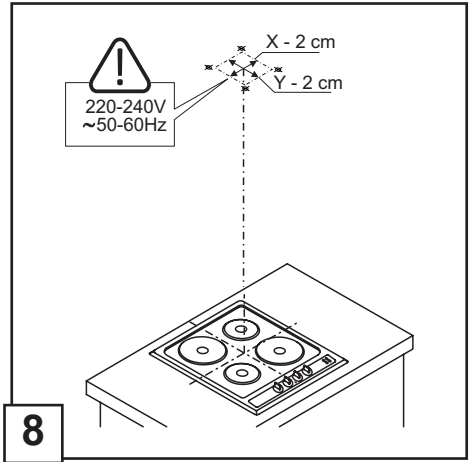
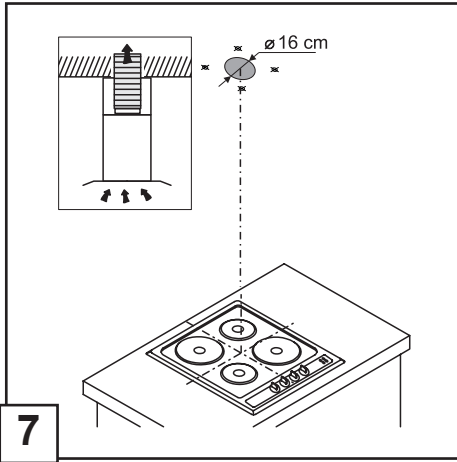
S1 IHGC963A1XUK

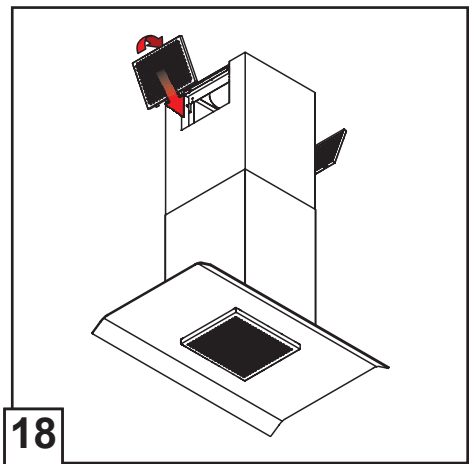
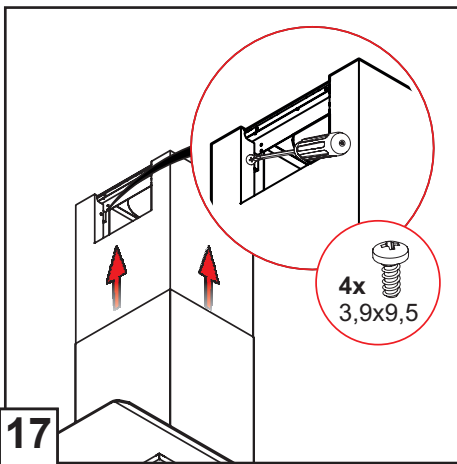
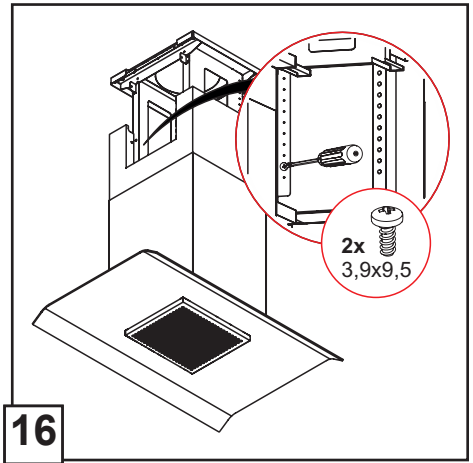
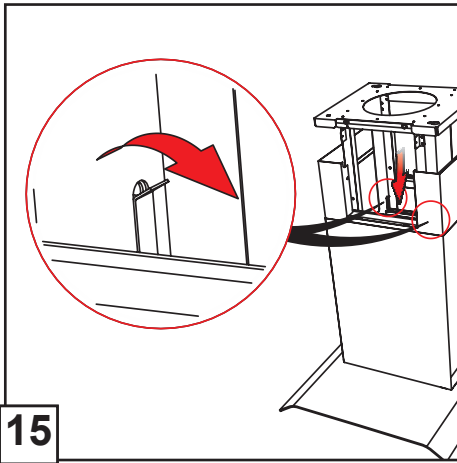
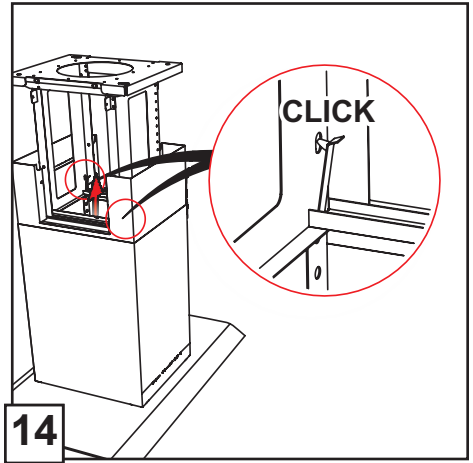
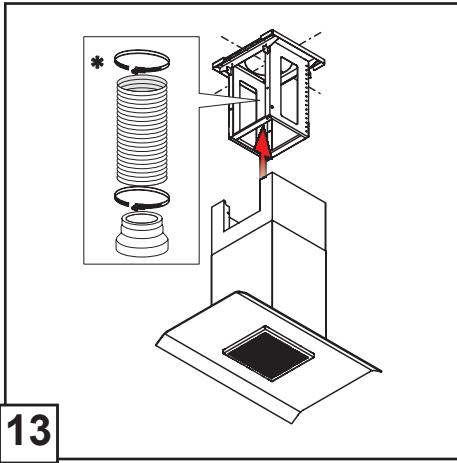
Cooker hood
Dunstabzugshaube
Кухонная вытяжка
Асүй сорып шығаруышы

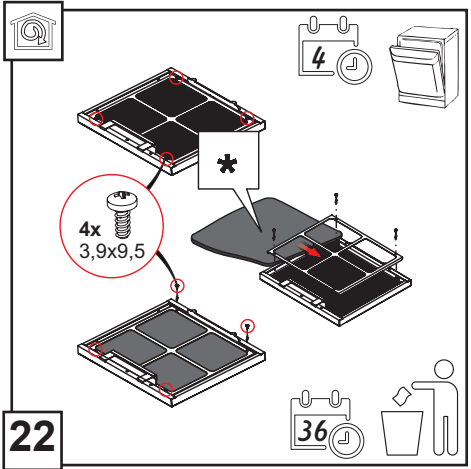
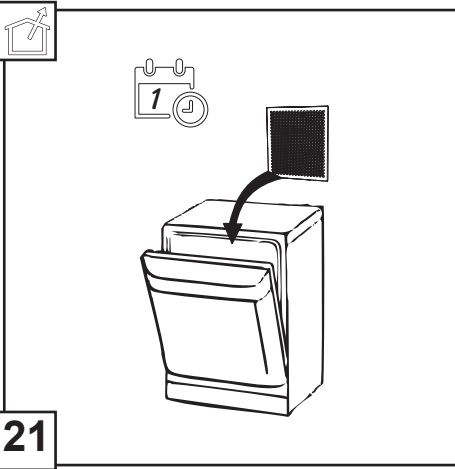
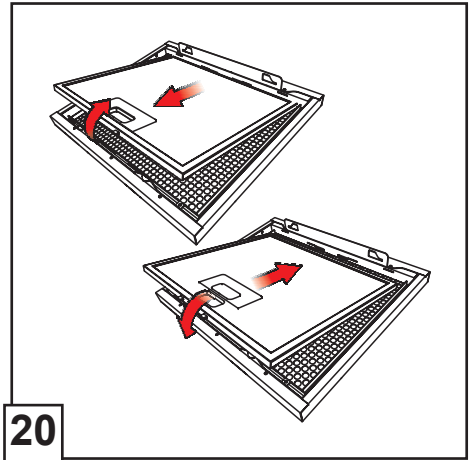
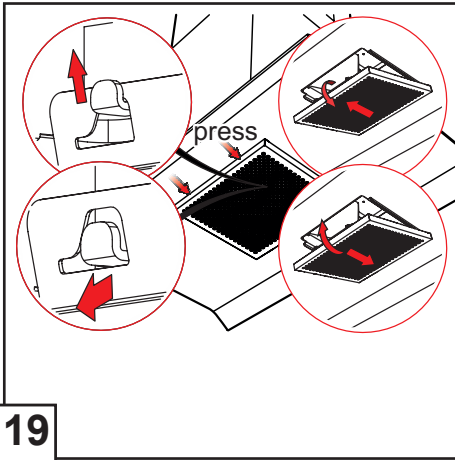


IHGC963A1XUK









Closely follow the instructions set out in this manual. All responsibility, for any eventual inconveniences, damages or fires caused by not complying with the instructions in this manual, is declined. The hood is conceived for the suction of cooking fumes and steam and is destined only for domestic use.

The hood can look different to that illustrated in the drawings in this booklet. The instructions for use, maintenance and installation, however, remain the same.

- ! It is important to conserve this booklet for consultation at any moment. In the case of sale, cession or move, make sure it is together with the product.
- ! Read the instructions carefully: there is important information about installation, use and safety.
- ! Do not carry out electrical or mechanical variations on the product or on the discharge conduits.
- ! Before proceeding with the installation of the appliance verify that there are no damaged all components. Otherwise contact your dealer and do not proceed with the installation.

Note: the elements marked with the symbol “(*)” are optional accessories supplied only with some models or elements to purchase, not supplied.



CAUTION

WARNING! Do not connect the appliance to the mains until the installation is fully complete.

Before any cleaning or maintenance operation, disconnect hood from the mains by removing the plug or disconnecting the mains electrical supply.

Always wear work gloves for all installation and maintenance operations.

The appliance is not intended for use by children or persons with impaired physical, sensorial or mental faculties, or if lacking in experience or knowledge, unless they are under supervision or have been trained in the use of the appliance by a person responsible for their safety.

This appliance is designed to be operated by adults, children should be monitored to ensure that they do not play with the appliance.

This appliance is designed to be operated by adults. Children should not be allowed to tamper with the controls or play with the appliance.

Never use the hood without effectively mounted grating!

The hood must NEVER be used as a support surface unless specifically indicated.

The premises where the appliance is installed must be sufficiently ventilated, when the kitchen hood is used together with other gas combustion devices or other fuels.

The ducting system for this appliance must not be connected to any existing ventilation system which is being used for any other purpose such as discharging exhaust fumes from appliances burning gas or other fuels.

The flaming of foods beneath the hood itself is severely prohibited.

The use of exposed flames is detrimental to the filters and may cause a fire risk, and must therefore be avoided in all circumstances.

Any frying must be done with care in order to make sure that the oil does not overheat and ignite. Accessible parts of the hood may become hot when used with cooking appliance.

With regards to the technical and safety measures to be adopted for fume discharging it is important to closely follow the regulations provided by the local authorities.

The hood must be regularly cleaned on both the inside and outside (AT LEAST ONCE A MONTH).


This must be completed in accordance with the maintenance instructions provided in this manual). Failure to follow the instructions provided in this user guide regarding the cleaning of the hood and filters will lead to the risk of fires.

Do not use or leave the hood without the lamp correctly mounted due to the possible risk of electric shocks.

We will not accept any responsibility for any faults, damage or fires caused to the appliance as a result of the non-observance of the instructions included in this manual.

This appliance is marked according to the European directive 2012/19/EC on Waste Electrical and Electronic Equipment (WEEE). By ensuring this product is disposed of correctly, you will help prevent potential negative consequences for the environment and human health, which could otherwise be caused by inappropriate waste handling of this product.



The symbol  on the product, or on the documents accompanying the product, indicates that this appliance may not be treated as household waste. Instead it should be taken to the appropriate collection point for the recycling of electrical and electronic equipment. Disposal must be carried out in accordance with local environmental regulations for waste disposal.

For further detailed information regarding the process, collection and recycling of this product, please contact the appropriate department of your local authorities or the local department for household waste or the shop where you purchased this product.

Appliance designed, tested and manufactured according to:

- Safety: EN/IEC 60335-1; EN/IEC 60335-2-31, EN/IEC 62233.
- Performance: EN/IEC 61591; ISO 5167-1; ISO 5167-3; ISO 5168; EN/IEC 60704-1; EN/IEC 60704-2-13; ISO 3741; EN 50564; IEC 62301.
- EMC: EN 55014-1; CISPR 14-1; EN 55014-2; CISPR 14-2; EN/IEC 61000-3-2; EN/IEC 61000-3-3.

Suggestions for a correct use in order to reduce the environmental impact: Switch ON the hood at minimum speed when you start cooking and kept it running for few minutes after cooking is finished. Increase the speed only in case of large amount of smoke and vapour and use boost speed(s) only in extreme situations. Replace the charcoal filter(s) when necessary to maintain a good odour reduction efficiency. Clean the grease filter(s) when necessary to maintain a good grease filter efficiency. Use the maximum diameter of the ducting system indicated in this manual to optimize efficiency and minimize noise.

Additional Installation Specifications:

Use only the fixing screws supplied with the product for installation or, if not supplied, purchase the correct screws type. Use the correct length for the screws which are identified in the Installation Guide.

In case of doubt, consult an authorised service assistance centre or similar qualified person.

WARNING! Failure to install the screws or fixing device in accordance with these instructions may result in electrical hazards.

USE

The hood is designed to be used either for exhausting or filter version.



DUCTING VERSION

In this case the fumes are conveyed outside of the building by means of a special pipe connected with the connection ring located on top of the hood.

Attention! The exhausting pipe is not supplied and must be purchased apart. Diameter of the exhausting pipe must be equal to that of the connection ring.

In the horizontal runs the exhausting pipe must be slightly slanted (about 10°) and directed upwards to vent the air easily from the room to the outside.

Attention! If the hood is supplied with active charcoal filter, then it must be removed.

Connect the hood and discharge holes on the walls with a diameter equivalent to the air outlet (connection flange).

Using the tubes and discharge holes on walls with smaller dimensions will cause a diminution of the suction performance and a drastic increase in noise.

Any responsibility in the matter is therefore declined.

! Use a duct of the minimum indispensable length.

- ! Use a duct with as few elbows as possible (maximum elbow angle: 90°).
- ! Avoid drastic changes in the duct cross-section.
- ! Use a duct as smooth as possible inside.
- ! The duct must be made of certified material.



FILTER VERSION

One active charcoal filter is needed for this and can be obtained from your usual retailer.

The filter removes the grease and smells from the extracted air before sending it back into the room through the upper outlet grid.

INSTALLATION

The minimum distance between the supporting surface for the cooking equipment on the hob and the lowest part of the range hood must be not less than 50cm from electric cookers and 65cm from gas or mixed cookers.

If the instructions for installation for the gas hob specify a greater distance, this must be adhered to.



ELECTRICAL CONNECTION

The mains power supply must correspond to the rating indicated on the plate situated inside the hood. If provided with a plug connect the hood to a socket in compliance with current regulations and positioned in an accessible area, after installation. If it not fitted with a plug (direct mains connection) or if the plug is not located in an accessible area, after installation, apply a double pole switch in accordance with standards which assures the complete disconnection of the mains under conditions relating to over-current category III, in accordance with installation instructions.

Warning! Before re-connecting the hood circuit to the mains supply and checking the efficient function, always check that the mains cable is correctly assembled.

The hood is provided with a special power cable ; if the cable is damaged, request a new one from Technical Service.

MOUNTING

Very heavy product; hood handling and installation must be carried out by at least two persons. Before beginning installation:

- Check that the product purchased is of a suitable size for the chosen installation area.
- Remove the charcoal (*) filter/s if supplied (see also relative paragraph). This/these is/are to be mounted only if you want to use the hood in the filtering version.
- Check (for transport reasons) that there is no other supplied material inside the hood (e.g. packets with screws (*), guarantees (*), etc.), eventually removing them and keeping them.
- If possible, disconnect and move freestanding or slide-in range from cabinet opening to provide easier access to rear wall/ceiling. Otherwise put a thick, protective covering over countertop, cooktop or range to protect from damage and debris. Select a flat surface for assembling the unit. Cover that surface with a protective covering and place all canopy hood parts and hardware in it.
- In addition check whether near the installation area of the hood (in the area accessible also with the hood mounted) an electric socket is available and it is possible to connect a fumes discharge device to the outside (only suction version).
- Carry out all the masonry work necessary (e.g. installation of an electric socket and/or a hole for the passage of the discharge tube).

Expansion wall plugs are provided to secure the hood to most types of walls/ceilings. However, a qualified technician must verify suitability of the materials in accordance with the type of wall/ceiling. The wall/ceiling must be strong enough to take the weight of the hood. Do not tile, grout or silicone this appliance to the wall. Surface mounting only.

OPERATION

Use the high suction speed in cases of concentrated kitchen vapours. It is recommended that the cooker hood suction is switched on for 5 minutes prior to cooking and to leave in operation during cooking and for another 15 minutes approximately after terminating cooking.

To select the functions of the hood press on the symbol. Function will be activated when symbol will be released.



- T1. Standby mode** (the control panel off all functions disabled) / **ON** (control panel switched on)
Note: After about a minute of inactivity (suction and lights), the hood will automatically switch to standby.
- T2. ON/OFF lights**
Press again to turn off the lights.
- T3. ON/OFF Automatic operation “AdaptTech”**
The hood automatically sets the suction speed (power) to increase if the environmental conditions detected by the hood sensor require it.
If there are no variations in the environmental conditions, after 10 minutes (if the hood is already in suction speed (power) 1), the hood turns off.
Note: for a correct use of this function, first perform the “Setting of the parameters for Automatic Operation” (see corresponding paragraph).
Note: During automatic operation, if the user acts on the other functions that adjust the speed, auto ventilation function is switched off.
- T4. Manual selection of the suction speed (power):**
L1: suction speed (power) 1
L2: suction speed (power) 2
L3: suction speed (power) 3
Press again to turn off the hood (OFF).
Note: manual selection excludes any other suction related set function.
- T5. ON/OFF Intensive suction speed (power) „POWER BOOST” (timed)**
Note: After 5 minutes of operation the hood returns to its previous state.
- T6. ON/OFF operation mode “Refresh”**
Every 50 minutes of inactivity, the suction speed (power 1 is turned on for 10 minutes.
- T7. ON/OFF Delayed switch off of the suction speed (power) (approx. 30 minutes)**
Note: this function is available for the speeds that can be selected with button **T4**.
- T8. Indicator and reset filter saturation**
The button lights on automatically with steady light when it is necessary to perform the grease filter maintenance. The button lights on automatically with flashing light when it is necessary to perform the charcoal filter maintenance.
After performing the maintenance, with the hood off and the button active, press the button for more than 3 seconds to perform the reset of the filter saturation indicator; repeat the operation if necessary (for ex., when both filters are saturated).

Activation of the charcoal filter saturation indicator

The saturation indicator of the charcoal filter is normally disabled. To activate it, proceed in the following manner:
With the display on (ON) and the suction off (OFF), press simultaneously the buttons **T7** and **T8** for more than 3 seconds; the button **T8** lights on with steady light for approx. 5 seconds, to indicate the activation.
To disable it, repeat the operation; the button **T8** will flash for approx. 5 seconds to indicate the disabling.

Setting of Automatic Operation parameters

For correct use of the automatic operation, perform "Hood Calibration".

Hood Calibration

With the display on (ON) and the suction off (OFF), press button **T3** for 5 seconds.

The suction speed (power) 1 starts functioning and button **T3** flashes to indicate that hood calibration is initiated and it will last for approx. 5 minutes.

Note: to interrupt the calibration, press **T3** for 5 seconds; the calibration will be invalidated and should therefore be repeated.

MAINTENANCE

ATTENTION! Before performing any maintenance operation, isolate the hood from the electrical supply by switching off at the connector and removing the connector fuse.

Or if the appliance has been connected through a plug and socket, then the plug must be removed from the socket.

CLEANING

The cooker hood should be cleaned regularly (at least with the same frequency with which you carry out maintenance of the fat filters) internally and externally. Clean using the cloth dampened with neutral liquid detergent. Do not use abrasive products. **DO NOT USE ALCOHOL!**

WARNING: Failure to carry out the basic cleaning recommendations of the cooker hood and replacement of the filters may cause fire risks. Therefore, we recommend observing these instructions. The manufacturer declines all responsibility for any damage to the motor or any fire damage linked to inappropriate maintenance or failure to observe the above safety recommendations.

GREASE FILTER

Traps cooking grease particles. The grease filter must be cleaned once a month using non aggressive detergents, either by hand or in the dishwasher, which must be set to a low temperature and a short cycle. When washed in a dishwasher, the grease filter may discolour slightly, but this does not affect its filtering capacity. To remove the grease filter, press it and pull it down.

CHARCOAL FILTER (filter version only)

It absorbs unpleasant odours caused by cooking. The saturation of the charcoal filter occurs after more or less prolonged use, depending on the type of cooking and the regularity of cleaning of the grease filter. In any case it is necessary to replace the cartridge at least every four months. In any case, the filter insert should be cleaned at least every 4 months (suitable for dishwashers). The filter should be renewed after 36 months at the latest.

REPLACING LAMPS

The hood is equipped with a lighting system based on LED technology. The LEDs guarantee an optimum lighting, a duration up to 10 times as long as the traditional lamps and allow to save 90% electrical energy.

For replacement, contact the technical service.

• ملاحظة: لإيقاف تباطؤ عمل الشفاط، اضغط على الزر T3 واستمر بالضغط لمدة 5 ثواني؛ يتم إلغاء تباطؤ العمل ويجب تكرار ذلك.

الصيانة

تَحذِير! قبل القيام بأية عملية تنظيف أو صيانة، أفضل التيار الكهربائي للشفاط وذلك بسحب القابض من المقبس أو إيقاف تشغيل المفتاح الرئيسي.

التنظيف

يحتاج الشفاط إلى التنظيف بشكل متكرر، من الخارج كما من الداخل. استخدم قطعة قماش مبللة بالماء والمنظفات المعتدلة للتنظيف. تجنب استخدام المنظفات التي تحتوي على مواد كاشطة. لا تستخدم الكحول!

تَحذِير! عدم الالتزام بتعليمات التنظيف فيما يتعلق بالشفاط والفلتر قد يؤدي إلى خطر الحريق. لذلك ننصحك باتباع التعليمات الموصى بها. نحن نرفض أية مسؤولية ناتجة عن أية أضرار بالمحرك أو أي ضرر حريق مرتبط بصيانة غير مناسبة أو الفشل بملاحظة تعليمات السلامة الواردة أعلاه.

فلتر الدهون

يعمل على شطف أجزاء الدهون، التي تتشكل أثناء الطهي. يجب تنظيفه مرة واحدة في الشهر، ليس بمنظفات كاشطة، يدوياً أو في غسالة الأطباق على درجات حرارة منخفضة ودورة غسل قصيرة. يمكن أن يتبدل لون فلتر الدهون عند غسله بغسالة الأطباق، لكن خصائص الفلتر لا تتغير على الإطلاق. من أجل إزالة فلتر الدهون اسحبه إلى الأسفل.

فلتر الفحم (إصدار مع فلتر فقط)

يمتص الفلتر الروائح الغير مرغوبة الناجمة عن الطهي. يجب استبدال فلتر الفحم بعد استخدامه لفترة طويلة، وهذا يتوقف على نوع الطهي والتنظيف المستمر لفلتر الدهون. في أي حال، لا بد من استبدال البطانة كل أربعة أشهر على الأقل.

استبدال المصابيح

وقد تم تجهيز غطاء محرك السيارة مع نظام الإضاءة على أساس تكنولوجيا ليد. المصابيح ضمان الإضاءة الأمثل، مدة تصل إلى 10 مرات طالما المصابيح التقليدية والسماح لإنقاذ 90٪ الطاقة الكهربائية.

لاستبدال، اتصل الخدمة التقنية.

• قم بتنفيذ جميع أعمال البناء اللازمة (مثل تركيب مقبس كهربائي و/أو حفر فتحة في الجدار لمروور أنابيب الشفط).

تم تزويد الشفطات بملحقات تركيب، مناسبة لجزء أكبر من الجدران/السقوف. ومع ذلك، يجب أن يتم توصيل الشفط من قِبل فني مؤهل، الذي سيقيم بتثبيت المواد بحسب نوع الجدار/السقف. يجب أن يكون الجدار/السقف قوي بما فيه الكفاية لتحمّل وزن الشفط.

العمل

في حال كان تركيب البخار كبير بشكل خاص في المطبخ، استخدم أقصى سرعة. من المستحسن أن تقوم بتشغيل التهوية (الشفط) قبل ٥ دقائق من البدء بالطهي وتركه يعمل لمدة ١٥ دقيقة تقريباً بعد الانتهاء من الطهي أيضاً.

لتحديد وظائف الصحافة هود على الرمز. سيتم تنشيط وظيفة عندما سيتم الافراج عن رمز.

T1	T2	T3	T4	T5	T6	T7	T8

من أجل اختيار وظائف الشفط، يكفي الضغط على أليات التحكم.

- T1. وضعية الاستعداد (لوحة التحكم مطفأة - جميع الوظائف معطلة) / ON (لوحة التحكم تعمل)
- ملاحظة: عند عدم استخدام الشفط لدقيقة واحدة (الشفط واللمبة)، يعود أوتوماتيكياً إلى وضعية الاستعداد.
- T2. ضوء تشغيل/إيقاف / ON/OFF
- اضغط مرة أخرى لإطفاء الضوء
- T3. العمل الأوتوماتيكي "ON / OFF" AdaptTech
- يزيد الشفط سرعة (طاقة) الشفط 1 أوتوماتيكياً، إذا كانت شروط الغرفة، التي كشف عنها جهاز الحساس المثبت في الشفط، تتطلب ذلك. إذا لم تتغير الشروط في الغرفة، فإن الشفط (إذا كان يعمل بالسرعة (الطاقة) 1) ينطفئ بعد 10 دقائق.
- ملاحظة: من أجل ضمان الاستخدام الصحيح لهذه الوظائف، قم أولاً "بضبط معايير العمل الأوتوماتيكي" (انظر الفقرة المتعلقة بذلك).
- ملاحظة: إذا كان الجهاز يستخدم وظيفة أخرى أثناء العمل الأوتوماتيكي، التي تنظم السرعة، تتوقف وظيفة الشفط الأوتوماتيكي.
- T4. ضبط سرعة الشفط (الطاقة) يدوياً:
- L1: المستوى الأول لسرعة (طاقة) العمل
- L2: المستوى الثاني لسرعة (طاقة) العمل
- L3: المستوى الثالث لسرعة (طاقة) العمل، اضغط مرة أخرى لإيقاف تشغيل الشفط (OFF).
- ملاحظة: الإعدادات اليدوية تتوقف تشغيل جميع وظائف الشفط الأخرى.
- ON/OFF T5. مستوى السرعة (الطاقة) القصوى للعمل "POWER BOOST" (مع وظيفة ضبط التوقيت)
- ملاحظة: بعد 5 دقائق من العمل، يعود الشفط إلى سرعة (طاقة) العمل المسبقة الضبط
- T6. العمل ON / OFF في الوضعية "Refresh".
- كل 50 دقيقة من عدم العمل يعمل المستوى الأول لسرعة (طاقة) العمل، في بعض الأجهزة يعمل لمدة 10 دقائق.
- ON / OFF T7. إيقاف التشغيل المؤجل لسرعة (طاقة) العمل (تقريباً 30 دقيقة).
- ملاحظة: تتوفر هذه الوظيفة فقط عند السرعات، التي يمكن اختيارها بواسطة الزر T4.
- T8. مؤشر تشيع الفلتر وإعادة ضبطه.
- تضيء اللمبة على الزر أوتوماتيكياً وتبقى مضيئة بشكل مستمر، للدلالة على ضرورة تنظيف أو استبدال فلتر الدهون. تضيء اللمبة على الزر أوتوماتيكياً وتومض للدلالة على ضرورة تنظيف أو استبدال الفلتر والشفط مطفأ، والزر قيد العمل، اضغط على الزر واستمر بالضغط لمدة 3 ثواني، لإعادة ضبط مؤشر تشيع الفلتر؛ عند الحاجة أعد تكرار الإجراء (على سبيل المثال، إذا كان كلا الفلترين مشبعين).
- تفعيل مؤشر تشيع فلتر الفحم
- ترجمة
- تفعيل مؤشر تشيع فلتر الفحم غير ممكن بشكل طبيعي. لتفعيل المؤشر يرجى اتباع الخطوات التالية: الشاشة قيد العمل (ON) والشفط مطفأ (OFF) اضغط بنفس الوقت على الأزرار T7 و T8 واستمر بالضغط لأكثر من 3 ثواني. تضيء اللمبة على الزر T8 وتبقى مضاءة بشكل مستمر لمدة 5 ثواني للدلالة على تفعيل المؤشر.
- إذا كنت ترغب في تعطيل المؤشر، كرر هذه الخطوات؛ تومض اللمبة على الزر T8 لمدة 5 ثواني تقريباً للدلالة على تعطيل المؤشر.
- ضبط معايير العمل الأوتوماتيكي
- لضمان عمل الجهاز بشكل صحيح أوتوماتيكياً، قم بتنفيذ إجراءات "تباطؤ عمل الشفط" و "اختيار لوحة الطهي".
- تباطؤ عمل الشفط
- عندما تكون الشاشة قيد العمل (ON) والشفط مطفأ (OFF) اضغط على زر T3 واستمر بالضغط لمدة 5 ثواني.
- يبدأ الشفط بالعمل على المستوى الثاني لسرعة (طاقة) الشفط وتومض اللمبة على الزر T3 للدلالة على بدء تباطؤ عمل الشفط، والذي يمكن أن يستمر إلى 5 دقائق تقريباً.

في إزالة الروائح. قم بتنظيف فلتر (فلاتر) الدهون، إذا لزم الأمر، من أجل الحفاظ على فعالية الأداء. استخدم نظام الأنابيب (العوادم) بأكبر أقطار، والواردة في هذا الدليل، لتحسين الكفاءة والحد من الضوضاء. **تنبيه!** إذا لم يتم اتباع هذه التعليمات عند تثبيت البراغي والتوصيلات، يؤدي إلى خطر حدوث صدمة كهربائية

الإستخدام

إن الشفاط متوفر للاستخدام في إصدارين: إصدار شفاطات مع فتحة شفط خارجية أو إصدار شفاطات مع فلتر بإعادة تدوير داخلي.



إصدار مع فتحة شفط

يتم التخلص من الأبخرة عن طريق أنبوب (عادم) موجهة إلى الخارج، وهو مثبت على حلقة توصيل. يجب أن يكون قطر أنبوب التهوية مساوياً لقطر حلقة التوصيل.

تحذير! أنبوب التصريف (العادم) غير مرفق مع الشفاط، ويجب شراؤه بشكل منفصل. في الجزء الأفقي يجب أن يكون الأنبوب مائلاً قليلاً إلى الأعلى (تقريباً ١٠ درجات)، بحيث يتم تصريف الهواء بسهولة إلى الخارج. تحذير: إذا كان الشفاط مزوداً بفلتر الفحم، عندها يجب أن تتم إزالته. قم بتوصيل الشفاط مع الأنابيب والفتحات بالتدفق الأفقي بحيث يكون قطرها بنفس قطر فتحة تصريف الهواء (حلقة التوصيل). استخدام الأنابيب وفتحات التصريف الأفقية، بقطر أصغر، سوف يؤدي إلى تقليل تأثير الشفط وزيادة في مستوى الضوضاء بشكل كبير. نحن نرفض أية مسؤولية ناتجة عن عملية كهذه.

- ! يجب أن يكون طول الأنابيب، لا يقل عن أقل طول لازم.
- ! يجب أن تكون أنابيب الشفط بأقل انحناءات ممكنة (الحد الأقصى لزاوية الانحناء: 90 درجة).
- ! تجنب أية تغييرات حادة في مقطع الأنبوب.
- ! ينبغي أن يكون الجزء الداخلي من الأنبوب أملس قدر الإمكان.
- ! يجب أن تكون المواد التي صنع منها الأنبوب تتوافق مع المعايير.



صدار شفاطات مع فلتر

تتم تنقية الهواء من الشحوم والروائح الكريهة قبل إعادتها إلى البيئـة. عند استخدام شفاطات من هذا الإصدار، من الضروري تركيب فلتر إضافي من الفحم.

التركيب

يجب ألا تقل المسافة بين السطح الداعم للوعاء (للأنية) الموجود على سطح الطهي وأسفل الشفاط في منطقة المطبخ عن ٥٠ سم للمواقد الكهربائية و ٦٥ سم للمواقد الغاز أو المواقد المشتركة (غاز وكهرباء). إذا كان مذكور أ في تعليمات تركيب مواقد الغاز مسافة أكبر، فيجب أخذ ذلك بعين الاعتبار.



التوصيل الكهربائي

يجب أن يتوافق جهد شبكة التيار الكهربائي الرئيسية مع الجهد المشار إليه على لوحة بيانات الجهاز الموجودة داخل الشفاط. إذا كان الشفاط مزود بقياس قم بوصله إلى مقيس مناسب للأنظمة السارية وموجود في مكان يسهل الوصول إليه بعد التركيب. إذا لم يتناسب مع القايـس (توصيل مباشر مع شبكة التيار الكهربائي الرئيسية) أو كان القايـس موجود بمكان يصعب الوصول إليه بعد التركيب، أضف قاطع ثنائي يتناسب مع المواصفات والذي يضمن الفصل الكامل للتيار الكهربائي الرئيسي تحت شروط متعلقة بجهد التيار المفرط من الفئة الثالثة، وبما يتناسب مع تعليمات التركيب.

تحذير! قبل إعادة توصيل الشفاط إلى شبكة التيار الكهربائي الرئيسية والتحقق من فعالية الوظيفة، تتحقق دائماً من صحة توصيل كابل التيار الكهربائي الرئيسي. الشفاط مزود بكابل كهربائي خاص؛ إذا كان الكابل متضرراً، اطب استبداله بأخر جديد من مركز الخدمة.

التركيب

إن الشفاط ثقيل، لذلك يتطلب تحريكه وتركيبه من قبل شخصين على الأقل. قبل البدء في عملية التثبيت:

- تأكد من أن حجم المنتج الذي تم شراؤه مناسب لمكان التثبيت الذي تم اختياره.
- أزل فلتر/فلتر الفحم إذا كان/كانت مزدودة (انظر أيضا الفقرة المتعلقة بذلك). قم بتركيبه/تركيبها فقط في حال اردت استخدام الشفاط في إصدار جهاز تصفية.
- تحقق (لأسباب متعلقة بالنقل) من عدم وجود عناصر أخرى داخل الشفاط (على سبيل المثال أكياس براغي، وثائق الكفالة، وغيرها)، قم بإزالتها والاحتفاظ بها إن وجدت.
- إذا كان بالإمكان، قم بتحريك وإزالة الخزائن، الموجودة تحت وحول منطقة تثبيت الشفاط، وذلك لسهولة الوصول إلى الجدار/السقف الخلفي حيث سيتم تثبيت الشفاط. وإلا
- قم بحماية الخزانة وبقية الأجزاء، حيث سيتم التركيب. قم باختيار سطح مستو لتجميع الجهاز. قم بتغطية السطح بغطاء واقى وضع جميع أجزاء الشفاط والمعدات داخله.
- وبالإضافة إلى ذلك تحقق ما إذا كان بالقرب من مكان تركيب الشفاط (مكان يمكن تركيب الشفاط به) يتوفر مأخذ كهربائي وأنه من الممكن القيام بتوصيل أنابيب الشفط إلى الخارج (فقط في إصدار مع فتحة شفط).

اتبع بدقة التعليمات الواردة في هذا الدليل. نحن نرفض أية مسؤولية ناتجة عن أية مشاكل أو أضرار أو حرائق تلحق بالجهاز، نتيجة عدم الالتزام بالتعليمات الواردة في هذا الدليل. تم تصميم الشفاط لشطف الدخان والأبخرة الناتجة أثناء الطهي، ومخصصة فقط للاستخدام المنزلي.

قد يختلف الشفاط في الشكل عن الصور الموجودة في هذا الكتيب، ولكن تعليمات الاستخدام والصيانة والتركييب هي نفسها.

! احتفظ بهذا الدليل في أماكن يسهل الوصول إليها؛ في حال قمت ببيعه أو نقله أو تغيير مكانه يجب أن يبقى الدليل دائماً مع المنتج.

! يجب قراءة التعليمات بعناية؛ لأنها تشير إلى المعلومات الهامة حول التركيب والاستخدام والسلامة.

! لا تقوم بتعديل الخصائص الكهربائية أو الميكانيكية، ولا تعبث بفتحات التصريف (العامد).

! قبل تركيب الجهاز، تأكد من أن جميع مكوناته سليمة. إذا لم يكن الأمر كذلك، قم بالاتصال بالبائع الوكيل ولا تقم بتركيب الجهاز.

ملاحظة: التفاصيل، التي تحمل الرمز „(*)“، هي ملحقات اختيارية يتم توفيرها فقط مع بعض الموديلات أو عناصر يتم شرائها وهي غير مرفقة.



- لا تقوم بتوصيل الجهاز إلى شبكة التيار الكهربائي حتى يتم الانتهاء من التركيب بالكامل.
- قبل القيام بعملية التنظيف أو الصيانة أفضل الشفاط عن التيار الكهربائي، وذلك بسحب القابس من المقبس أو فصل قاطع الطاقة الرئيسي.
- يجب عدم استخدام الجهاز من قبل الأطفال أو الأشخاص الذين يعانون من ضعف القدرات الجسدية والعقلية أو من قبل الأشخاص بدون خبرة ومعرفة كافية، إلا تحت مراقبة أو مساعدة الشخص المسؤول لاتخاذ الترتيبات اللازمة لسلامتهم.
- يجب مراقبة الأطفال لعدم العبث بالجهاز. لا يجوز استخدام الشفاط، إذا لم يتم تركيب الشبكة بشكل صحيح!
- لا تستخدم الشفاط أبداً كسطح للتخزين، ما لم يُسمح بهذا بشكل صريح. يجب أن تكون الأماكن ذات تهوية كافية، عند استخدام شفاط المطبخ بنفس الوقت مع بقية الأجهزة التي تعمل على الغاز أو أي وقود آخر.
- يجب ألا يتم شطف الهواء إلى نفس القناة التي تُستخدم للتخلص من الأبخرة الناتجة عن حرق الغاز أو أي حرق وقود آخر.
- يجب أخذ الحذر الشديد من اللهب المتصاعد عن الأطعمة تحت الشفاط نفسه.
- تعرض الشفاط للهب المتصاعد يضر بالفلتر وقد يتسبب بخطر الحريق، لذلك يجب تجنبه في جميع الأحوال.
- إن أي عملية قلي يجب أن تتم بإشراف مستمر وذلك للتأكد من عدم تسخين الزيت لدرجة الاشتعال.
- ترتفع درجة حرارة أجزاء الشفاط التي يمكن الوصول إليها أثناء استخدامه مع الفرن بنفس الوقت.
- فيما يتعلق بالتدابير التقنية ومعايير السلامة التي يتعين تطبيقها لتصريف الدخان، من المهم أن يتابع عن كثب العلاقات التي تقدمها الجهات المختصة.
- يجب تنظيف الشفاط بانتظام من الداخل والخارج معاً (مرة واحدة في الشهر على الأقل، فمن الضروري على أي حال الاستمرار بالصيانة وفقاً للتعليمات الواردة في هذا الدليل).
- عدم الالتزام بتعليمات التنظيف فيما يتعلق بالشفاط والفلتر قد يؤدي إلى خطر الحريق.
- لا تستخدم أو تترك غطاء الشفاط بدون تثبيت اللصقة بشكل صحيح وذلك للخطر المحتمل من التعرض لصدمة كهربائية. نحن نرفض أية مسؤولية ناتجة عن أية مشاكل أو أضرار أو حرائق تلحق بالجهاز نتيجة عدم الالتزام بالتعليمات الواردة في هذا الدليل.
- هذا الجهاز معرّف بالتوافق مع التشريعات الأوروبية 2012/19 فيما يتعلق بالتخلص من الأجهزة (ES) أو توجيه (WEEE) الكهربائية والإلكترونية المستهلكة نفايات المعدات الكهربائية والإلكترونية). من خلال ضمان التخلص من هذا المنتج بطريقة صحيحة، فإنك تساهم في الحيلولة دون حدوث عواقب سلبية محتملة التي تهدد البيئة وصحة الإنسان.

إن الرمز على المنتج أو على الوثائق المرفقة، تشير إلى أنه لا ينبغي التخلص منه مع النفايات المنزلية، بل عوضاً عن ذلك يجب تسليمه إلى مراكز التجميع المتخصصة لإعادة تدوير الأجهزة الكهربائية والإلكترونية. يجب أن يتم التخلص من الجهاز وفقاً للأنظمة البيئية للتخلص من النفايات المحلية. لمزيد من المعلومات التفصيلية حول التعامل والاسترداد وإعادة تدوير هذا المنتج، يرجى الاتصال بمجلس البلدية المحلي أو بخدمة التخلص من النفايات المنزلية أو بالمتجر الذي اشتريته منه هذا المنتج.



تم تصميم الجهاز، واختباره وتصنيعه وفقاً لما يلي:

EN/IEC 60335-1; EN/IEC 60335-2-31, EN/IEC 62233

EN/IEC 61591; ISO 5167-1; ISO 5167-3; ISO 5168; EN/IEC 60704-1; EN/IEC 60704-2-13; ISO 3741

EN 50564; IEC 62301

EMC (EM EN 55014-1; CISPR 14-1; EN 55014-2; CISPR 14-2; EN/IEC 61000-3-2; EN/IEC 61000-3-3: EMC)

مقترحات للاستخدام الصحيح، التي يمكن أن تقلل من التأثير على البيئة: قم بتشغيل الشفاط على الحد الأدنى عند البدء بالطهي، واتركه يعمل لعدة دقائق ON للطاقة بعد الانتهاء من الطهي. قم بزيادة السرعة فقط عندما يكون هناك الكثير من الدخان والبخار، استخدم طريقة (طرق) في الحالات الاستثنائية فقط. قم باستبدال فلتر boost (فلتر) الفحم، عند الضرورة، بهذا تحافظ على الفعالية

