

EN

Installation instructions

Induction hob with extractor

DE

Montageanleitung

Induktionskochfeld mit integriertem Abzug

gorenje

EN Instructions for installation

EN 3 - EN 16

DE Montageanleitung

DE 3 - DE 16

Pictograms used - Benutzte Piktogramme



Important information - Wissenswertes



Tip - Tipp

CONTENTS

Introduction

Introduction 4

Dimensions

Appliance dimensions 5

Built in dimensions 6

General

Introduction to installation 7

Assemble pieces 9

Installation

Hob installation 10

Aspiration unit installation 11

Electrical connection

General 15

Installation diagrams 16

INTRODUCTION

Introduction

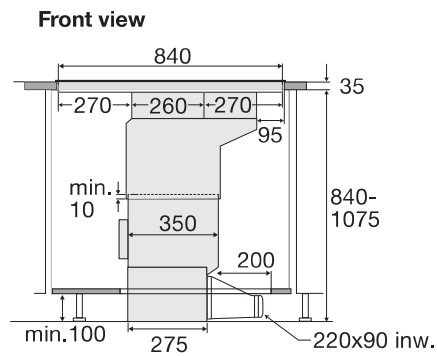
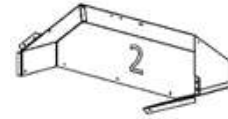
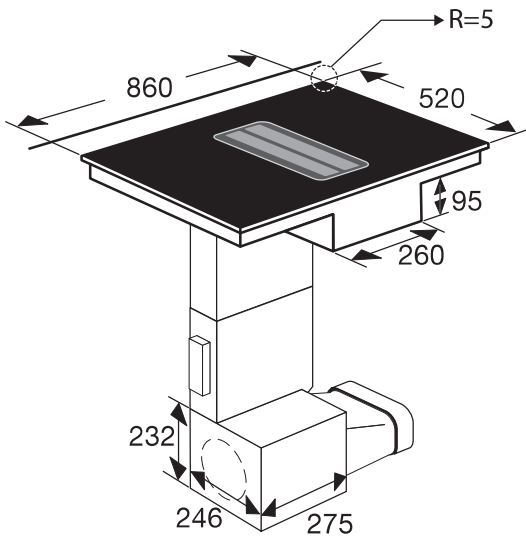


Before installing, read the separate safety instructions first!

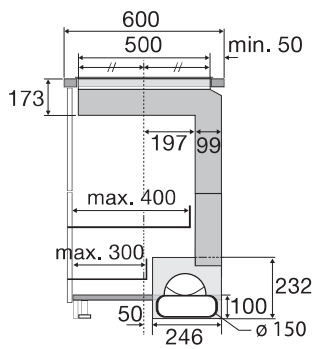
DIMENSIONS

Appliance dimensions

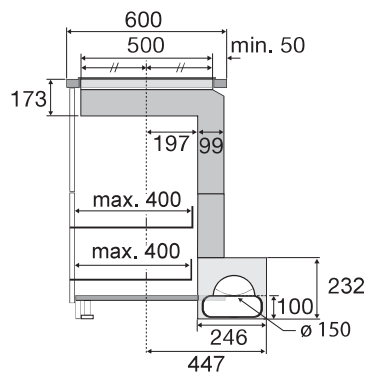
✱ - Depends on type of installation



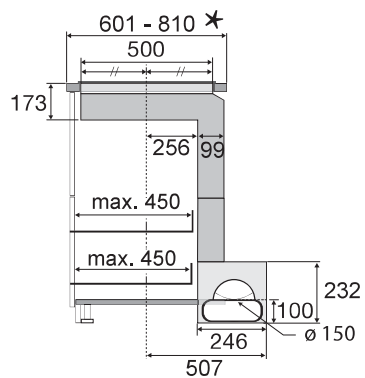
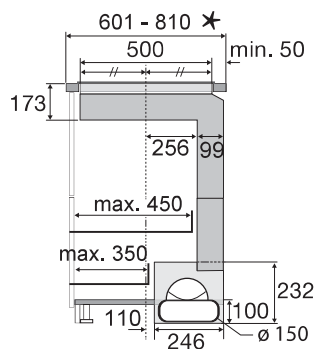
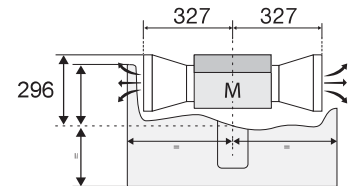
Side view wall



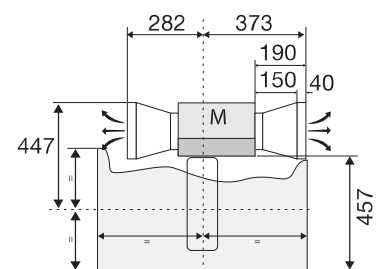
Side view island



Top view wall



Top view island

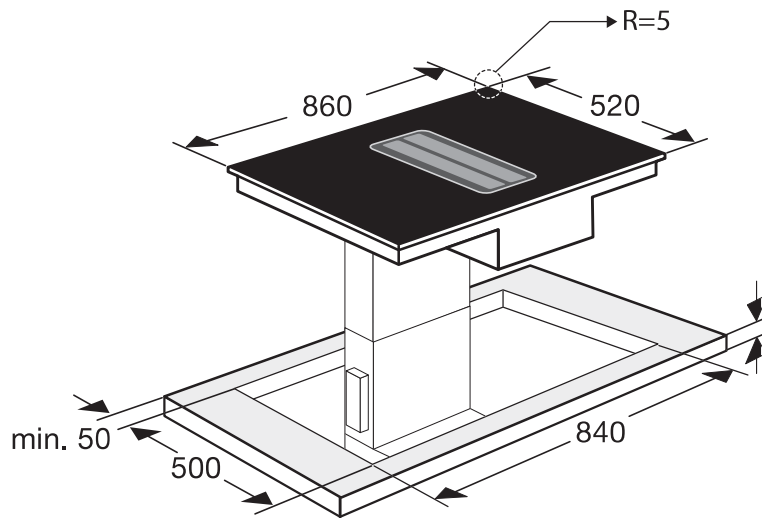


✱ To use only with this kind of installation

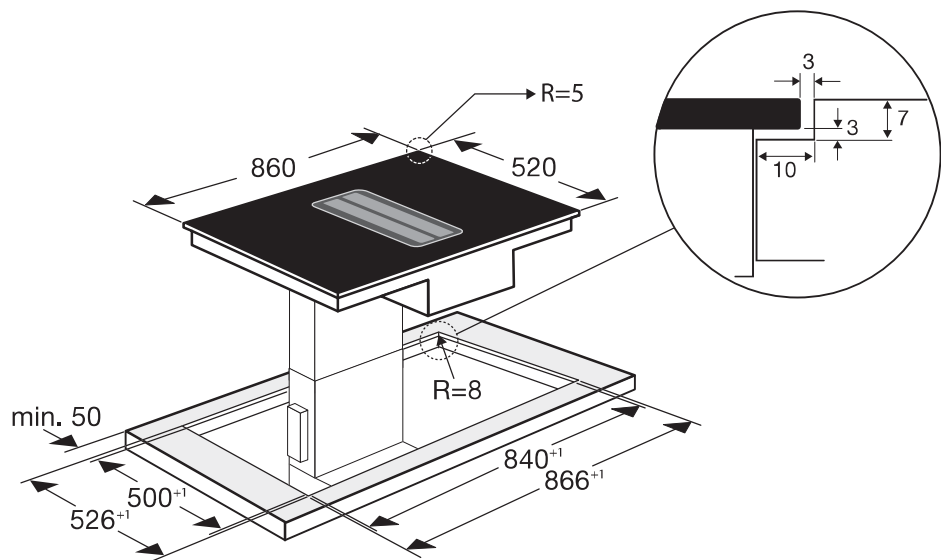
DIMENSIONS

Built in dimensions

Non-flush



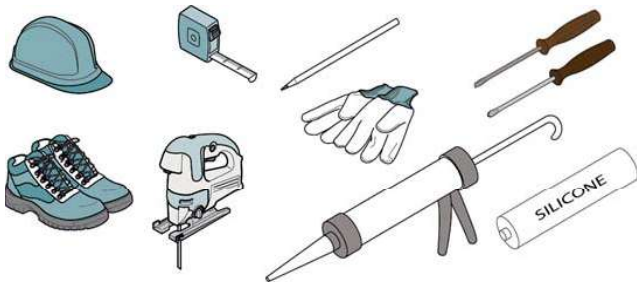
Flush



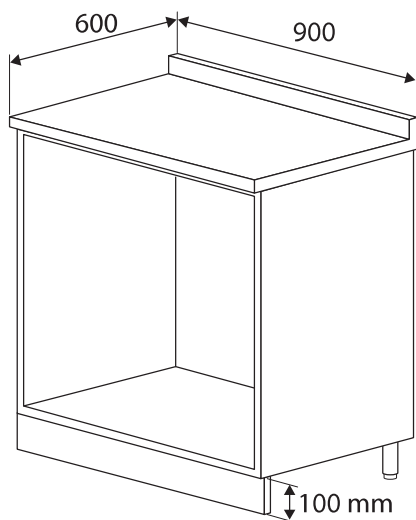
GENERAL

Introduction to installation

- Carefully read the guide before installation the appliances.
- The installation requires safety equipment and a range of tool:

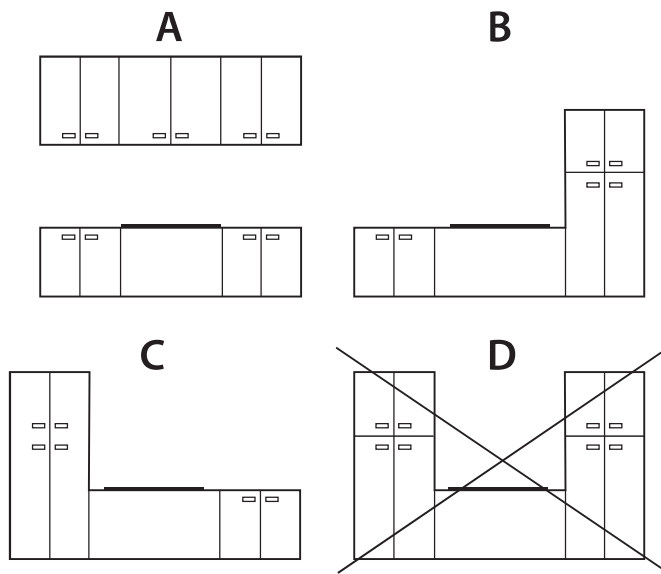


- The suction table is equipped with all the hardware needed for its installation and is suitable for most furniture.
- Check that the minimum surface and volume required in the base of the cabinet is adequate for installation.



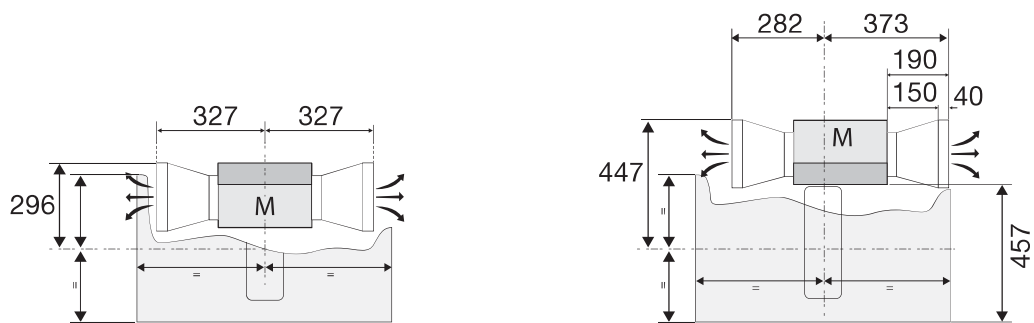
- Minimum height of the cabinet base is very important (min. 100 mm) in order to allow the passage of the air ducts below the base of the furniture.
- The cabinet's back has to be removed where air ducts are located.
- Veneer or other finish of the piece of kitchen furniture into which the hob is to be built in should be treated with heat resistant glue (100° C); otherwise, the worktop finish may be discoloured or deformed. Ideally the appliance should be installed with plenty of space on either side (A). There may be a wall at the rear and a tall unit or wall at one side. On the other side, however, no unit or divider should stand higher than the appliance (B and C).
- To prevent fire it is not possible to place higher cabinets or walls on both sides (D).
- Use of wood decoration plates or boards on the worktops behind the appliance is not permitted.

GENERAL



- Minimum distance between the edge of the appliance and the furniture or wall is 250 mm.
- It is recommended to install the appliance only after having installed the kitchen base cabinet in order to avoid eventual damages to the induction hob.

- The picture below is showing all possible configurations and air outlets and the related sizes.



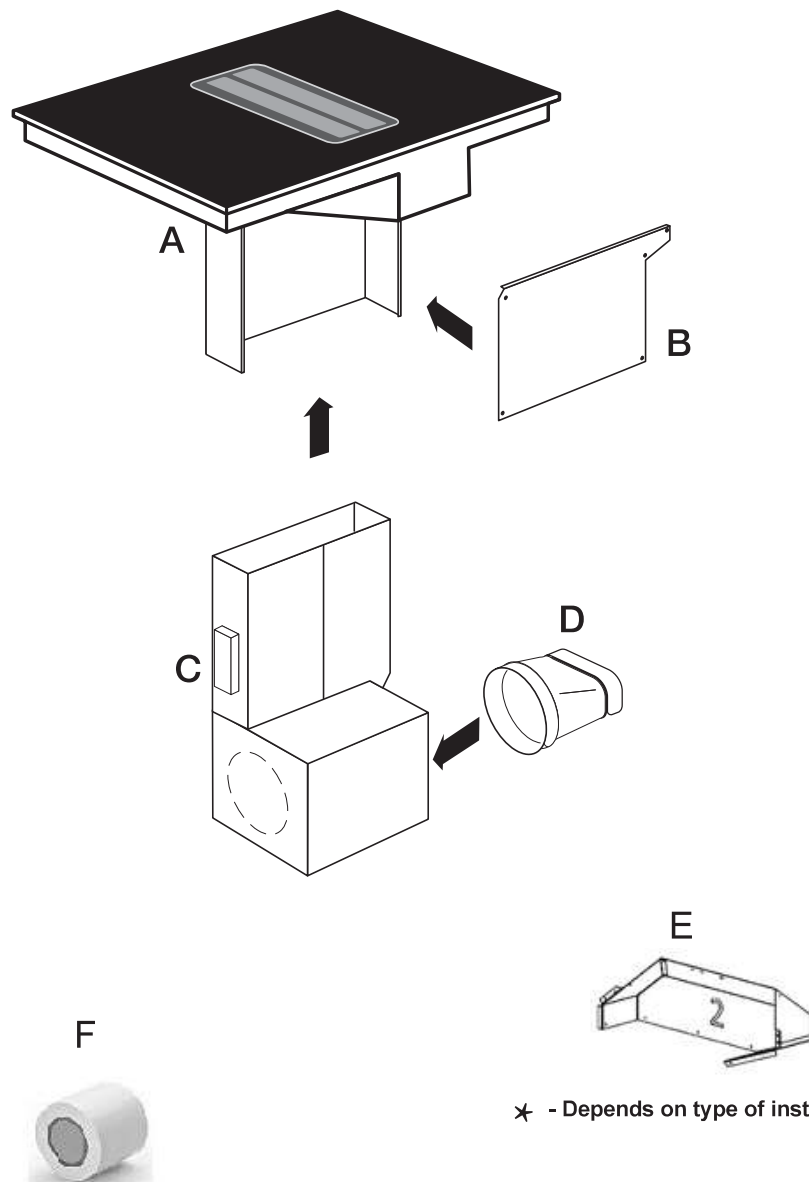
GENERAL

Assemble pieces

- The box is containing items to assemble in the order shown as follows.



Warning! To ensure proper installation carefully follow the described operations in the exact order.



INSTALLATION

Hob installation

Prepare the hole in the worktop and fix the induction hob as shown according to the dimensions indicated (see 'Built in dimensions').

Non-flush installation

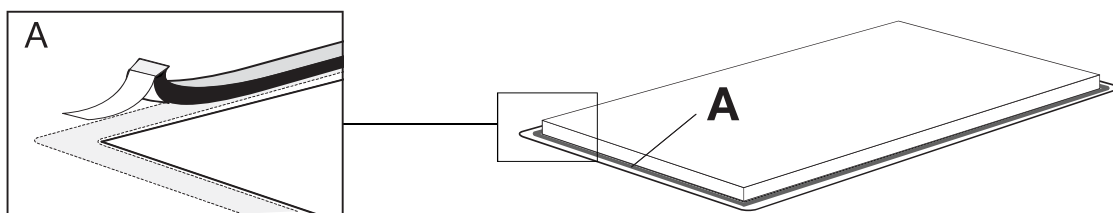
1. Before inserting the appliance into the hole in the kitchen worktop, the supplied foam gasket must be attached to the lower side of the glass.



CAUTION! Do not install the appliance without the foam gasket!

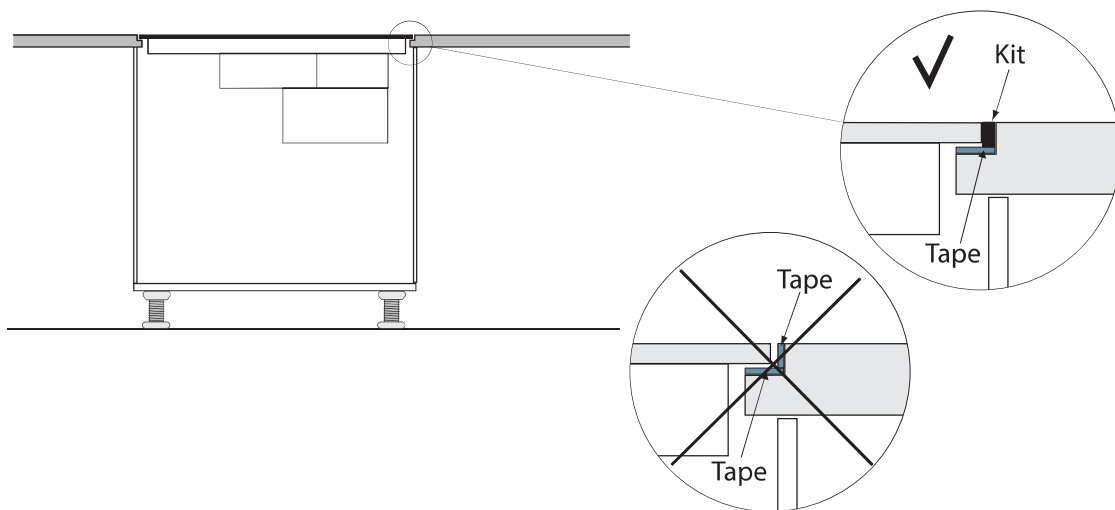
- **Warning! The gasket should be attached to the appliance in the following way:**

- ▷ Remove the protective film from the gasket.
- ▷ Attach the gasket to the lower side approximately $A=2-3$ mm from the edge. The gasket must be attached along the entire length and should not overlap at the corners.



Flush installation

1. Lay in silicone sealant flush with the hole where the milling was done and set the hob in place.



INSTALLATION

Aspiration unit installation

The aspiration unit can be used in extracting mode or filtering mode (optional active carbon filters kit or plasma filter kit are available).

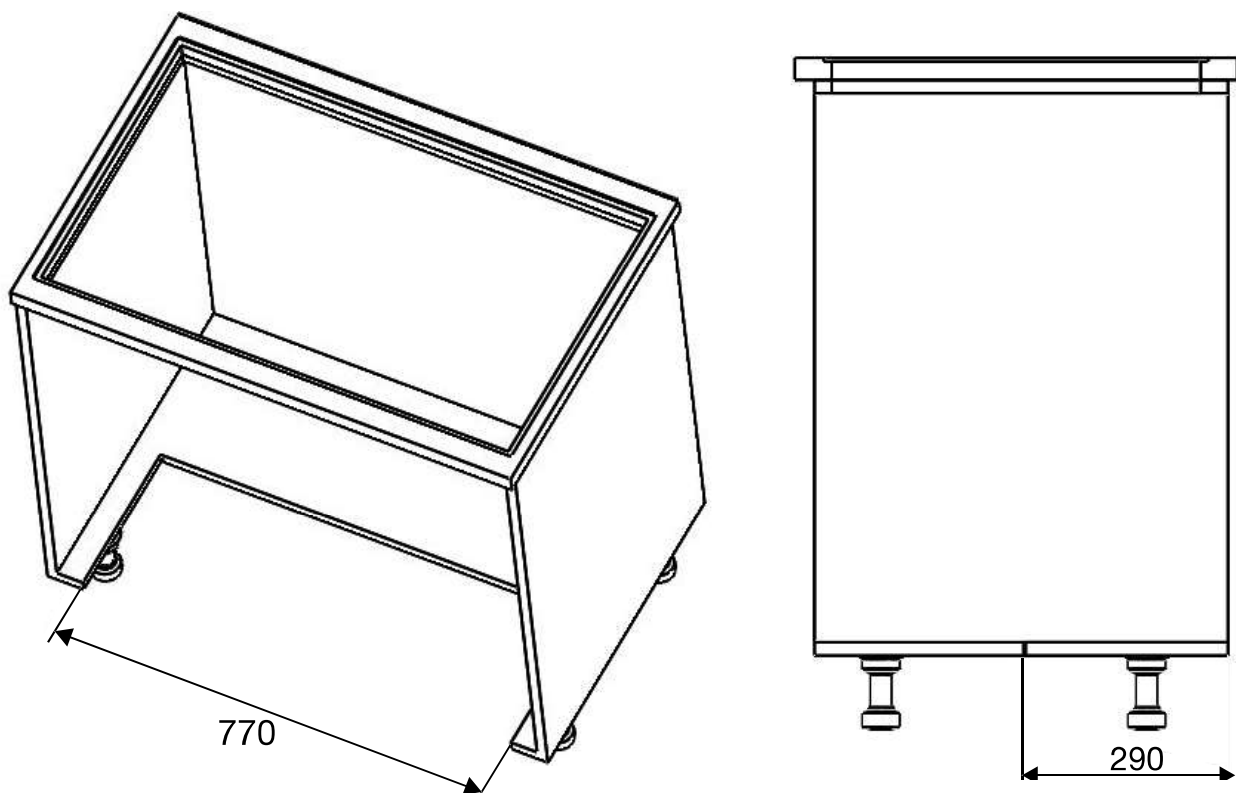
Extracting (expulsion to the outside). Kitchen fumes are expelled through the piping (not supplied with the hood) connected to the motor discharge. The piping must never be connected to combustion discharge pipes (stoves, boilers, burners, etc.). The use of long pipes, with many bends, corrugated and with a diameter smaller than the motor outlet's will cause a decrease in extracting performance and an increase in noise.



Warning! All regulations regarding air exhaust must be observed for installation. Air should not be discharged into a duct used to discharge exhaust fumes produced by gas combustion or other fuels (does not apply to hoods used in filtering mode).

Filtering (recycling). The fumes pass through the carbon anti-odour filter (not supplied with the hood) to be purified and recycled in the kitchen. The use of the carbon anti-odour filter reduces the hood performance, we therefore recommend the hood is installed in extracting mode.

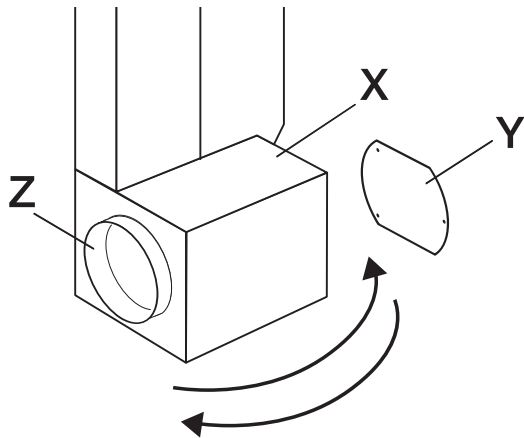
The figure below is showing how to cut the cabinet base to install the aspiration box (see chapter 'Assemble pieces' number C).



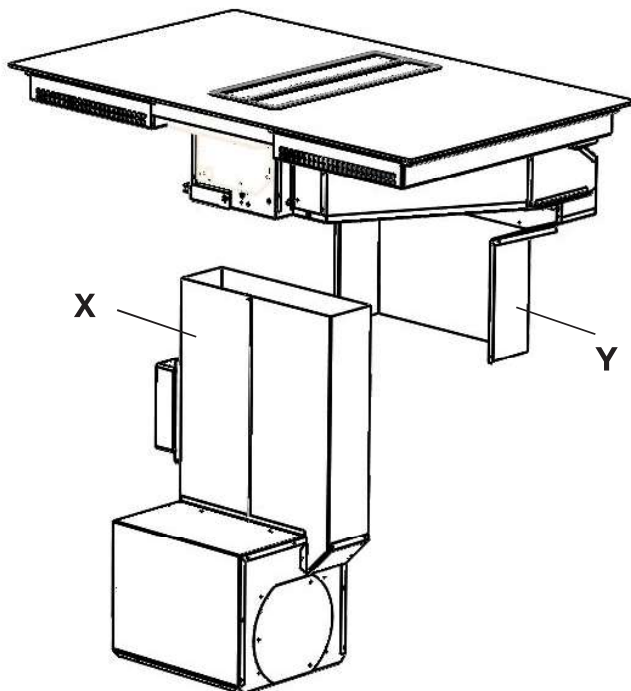
INSTALLATION

The next step is to determine the output of the suction fumes according to the installation requirements. The air outlet can be to the right or to the left.

1. Remove the covers (X) en (Y).
2. Release the air outlet (Z) and place it on the opposite site.
3. Proceed with the reverse operations, place the cover (Y) on the opposite side and reinstall the covering (X).

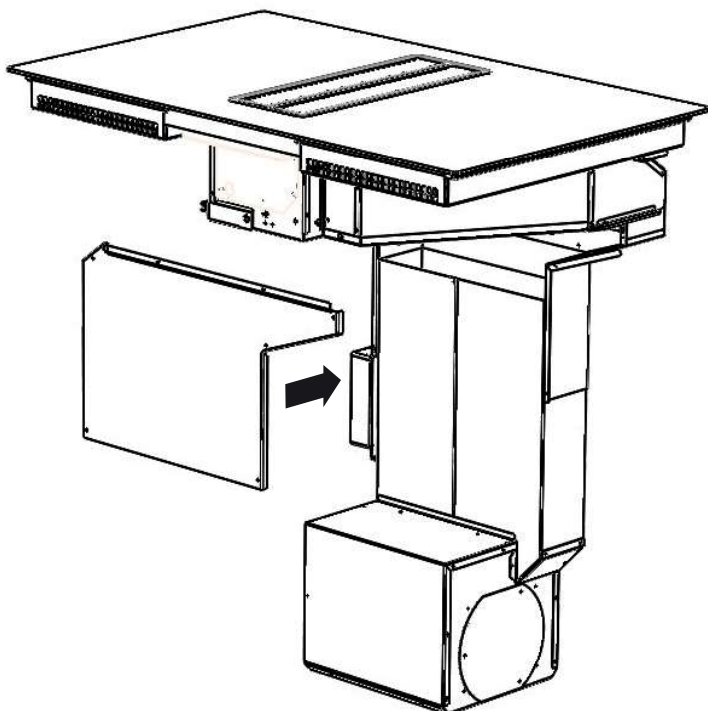


4. Once the position of the aspiration unit has been defined, proceed to position it in the hole at the cabinet base previously cut, paying attention to secure the upper part (X) to the part (Y).

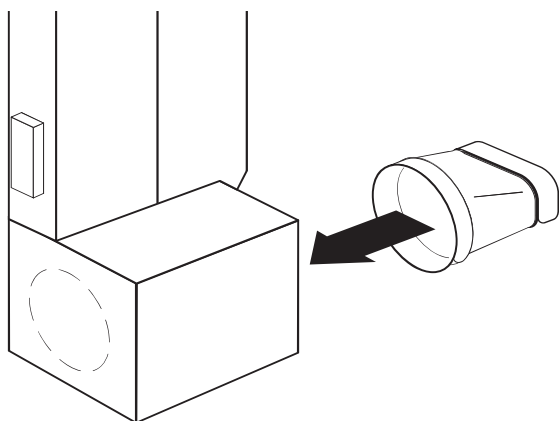


INSTALLATION

5. Proceed with the fixing of the cover on the vertical pipe using the supplied screws.

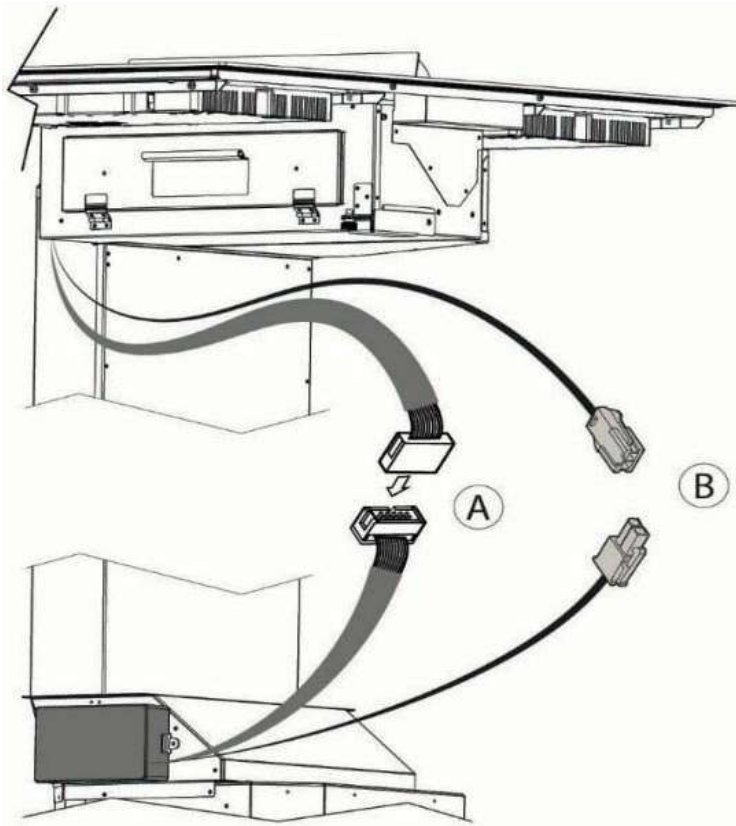


6. Connect the round end from the plastic junction to the aspirator outlet.



INSTALLATION

7. Connect the main board flat connector cable (male-female) with the controls hanging down from the induction hob (A).
8. Connect the main board connector (male – female), with the electronic water detection sensors positioned inside the hood body (B).



9. It is now possible to connect from the outlet of the aspirator to the outside for the fumes discharge through specific accessories and fittings available in specialized stores.
10. The entire pipeline will necessarily have to move under the base of the cabinet, in the kick plate area.

ELECTRICAL CONNECTION

General

The electrical connection must be carried out ONLY by qualified technicians.

The electrical protection of the electrical connection upstream of the equipment must comply with the regulations in force.

The aspiration system is composed by two appliances:

- ▷ Connect the appliances to a permanent connection.
- ▷ Make sure that the voltage (V) and frequency (Hz) indicated on the serial number plate located on the appliances correspond to those available at the installation site.
- Any change to the electrical installation necessary to install the hood should only be undertaken by competent person.
- The electrical connection of the appliance must follow the diagram, according to the voltage of the electricity network.
- To make a fixed connection to the network, a omnipolar interruption device must be interposed between the unit and the network. This device must ensure a separation of contacts, providing a complete disconnection in the category III overvoltage conditions.
- After installation, insulated parts and those carrying electricity must be protected from any possible contact.



CAUTION! If the electrical connection is carried out incorrectly or not meeting the regulations, it may damage part of the appliance and the warranty will not respond.



CAUTION! Before any intervention, disconnect the appliance from the power mains.

These devices must be connected to an earthed system.

Electrical connection of the induction hob

The connection terminals can be reached after opening the conductors cover.

The plate with all the technical data is located at the bottom of the hob.

- Connect the protective cable to the terminal marked with the earth cable symbol.
- The connecting cable must pass through the bracket protecting it from accidental strain.
- After connecting the appliance, turn on all cooking zones / heaters for approximately three minutes to make sure they are operating correctly.
- Connection cable on the back of the appliance should be led in such way that it does NOT touch the appliance back wall, as this part will get very hot during operation.

Connection load

L1 (W)	L2 (W)	L3 (W)	Total load hob (W)	Total load hood (W)
3700	3700		7400	275

ELECTRICAL CONNECTION

Installation diagrams

