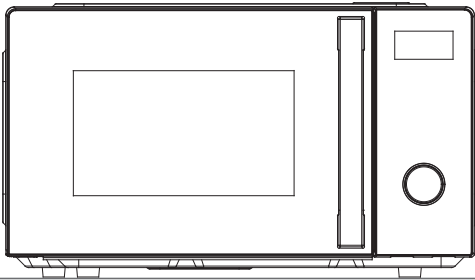


Hisense



H23MOBSD1H

Instruction manual / Microwave oven	
EN	3
Bruksanvisning / Mikrobølgeovn	
NO	24
Instrukcja obsługi / Kuchenka mikrofalowa	
PL	45
Manual de instruções / Forno de micro-ondas	
PT	66
Manual de utilizare/ Microunde	
RO	87
Bruksanvisning / Mikrobølgeoven	
SE	108
Návod na obsluhu / Mikrovlnná rúra	
SK	129
Navodila za uporabo / Mikrovalovna pečica	
SLO	150
Manual udhëzues/Mikrovalë	
SQ	171
Uputstvo za upotrebu/Mikrotalasna rena	
SR	192
Інструкція з експлуатації / Мікрохвильова піч	
UK	213

DEAR CUSTOMER

We sincerely thank you for your purchase. We believe you will soon find ample evidence that you can really rely on our products. To make the use of the appliance easier, we attach these comprehensive instruction manual.

The instructions should aid you in getting familiar with your new appliance. Please, read them carefully before using the appliance for the first time.

In any case, please make sure the appliance was supplied to you undamaged. Should you identify and transport damage, contact your sales representative or the regional warehouse from where the product was delivered. You will find the telephone number on the receipt or delivery report.

We wish you a lot of pleasure with your new household appliance.



The appliance for household use for heating food and beverages using electromagnetic energy, for indoor use only.

INSTRUCTIONS FOR USE

These instructions are intended for the user. They describe the cooker and how to use it. They also apply to different types of appliances, therefore you may find some descriptions of functions that may not apply to your appliance.

We reserve the right to any changes and errors in the instructions for use.

IMPORTANT SAFETY INSTRUCTIONS



Never touch the surfaces of heating or cooking appliances. They will become hot during operation. Keep children at a safe distance. There is a risk of burning!



Microwave energy & High voltage!
Do not remove the cover.

WARNING! The appliance and its accessible parts become hot during use. Care should be taken to avoid touching heating elements. Children less than 8 years of age shall be kept away unless continuously supervised. Children should be supervised to ensure that they do not play with the appliance.

This appliance can be used by children aged from 8 years and above and persons with reduced physical, sensory or mental capabilities or lack of experience and knowledge if they have been given supervision or instruction concerning use of the appliance in a safe way and understand the hazards involved. Children shall not play with the appliance. Cleaning and maintenance shall not be made by children unless they are older than 8 and supervised.

Keep the appliance and its cord out of reach of children less than 8 years.

- **WARNING:** When the appliance is operated in the combination mode, children should only use the oven under adult supervision due to the temperatures generated; (Only for the model with grill function)

- **WARNING:** If the door or door seals are damaged, the oven must not be operated until it has been repaired by a competent person;
- **WARNING:** It is hazardous for anyone other than a competent person to carry out any service or repair operation that involves the removal of a cover which gives protection against exposure to microwave energy;
- **WARNING:** liquids and other foods must not be heated in sealed containers since they are liable to explode.
- Children should be supervised to ensure that they do not play with the appliance.
- Don't remove oven's feet, do not block air vents of the oven.
- Only use utensils that are suitable for use in microwave ovens.
- When heating food in plastic or paper containers, keep an eye on the oven due to the possibility of ignition;
- If smoke is observed, switch off or unplug the appliance and keep the door closed in order to stifle any flames;
- Microwave heating of beverages can result in delayed eruptive boiling, therefore care must be taken when handling the container;
- The contents of feeding bottles and baby food jars shall be stirred or shaken and the temperature checked before consumption, in order to avoid burns;

- Eggs in their shell and whole hard-boiled eggs should not be heated in microwave ovens since they may explode, even after microwave heating has ended;
- When cleaning surfaces of door, door seal, cavity of the oven, use only mild, nonabrasive soaps, or detergents applied with a sponge or soft cloth.
- The oven should be cleaned regularly and any food deposits removed;
- Failure to maintain the oven in a clean condition could lead to deterioration of the surface that could adversely affect the life of the appliance and possibly result in a hazardous situation;
- If the supply cord is damaged, it must be replaced by the manufacturer, its service agent or similarly qualified persons in order to avoid a hazard.
- Do not let the cord hang over the edge of the table or worktop.
- Never connect this appliance to an external timer switch or remote control system in order to avoid a hazardous situation.
- Never replace the light bulb inside the oven. It must always be replaced by Hisense service.
- Do not clean the appliance with steam cleaners, high-pressure cleaners, sharp objects, abrasive cleaning agents, and abrasive sponges and stain removers.

Listed below are, as with all appliances, certain rules to follow and safeguards to assure top performance from this oven:

1. Always have the glass tray, roller arms, coupling and roller track in place when operating the oven.
2. Do not use the oven for any reason other than food preparation, such as for drying clothes, paper, or any other nonfood items, or for sterilizing purposes.
3. Do not operate the oven when empty. This could damage the oven.
4. Do not use the oven cavity for any type of storage, such as papers, cookbooks, etc.
5. Do not cook any food surrounded by a membrane, such as egg yolks, potatoes, chicken livers, etc without first being pierced several times with a fork.
6. Do not insert any object into the openings on the outer case.
7. Do not at any time remove parts from the oven such as the feet, coupling, screws, etc.
8. Do not cook food directly on the glass tray. Place food in/on proper cooking utensil before placing in the oven.

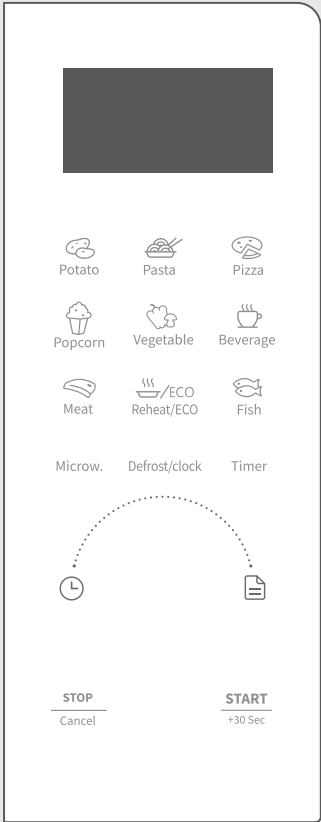
IMPORTANT - COOKWARE NOT TO USE IN YOUR MICROWAVE OVEN

- Do not use metal pans or dishes with metal handles.
 - Do not use anything with metal trim.
 - Do not use paper covered wire twist-ties on plastic bags.
 - Do not use melamine dishes as they contain a material which will absorb microwave energy. This may cause the dishes to crack or char and will slow down the cooking speed.
 - Do not use Centura Tableware. The glaze is not suitable for microwave use. Corelle Livingware closed handle cups should not be used.
 - Do not cook in a container with a restricted opening, such as a pop bottle or sealed oil bottle, as they may explode if heated in a microwave oven.
 - Do not use conventional meat or candy thermometers.
 - There are the thermometers available specifically for microwave cooking. These may be used.
9. Microwave utensils should be used only in accordance with manufacturer's instructions.
 10. Do not attempt to deep-fry foods in this oven.
 11. Please remember that a microwave oven only heats the liquid in a container rather than the container itself. Therefore, even though the lid of a container is not

hot to the touch when removed from the oven, please remember that the food/liquid inside will be releasing the same amount of steam and/or spitting when the lid is removed as in conventional cooking.

12. Always test the temperature of cooked food yourself especially if you are heating or cooking food/liquid for babies. It is advisable never to consume food/liquid straight from the oven but allow it to stand for a few minutes and stir food/liquid to distribute heat evenly.
13. Food containing a mixture of fat and water, e.g. stock, should stand for 30-60 seconds in the oven after it has been turned off. This is to allow the mixture to settle and to prevent bubbling when a spoon is placed in the food/liquid or a stock cube is added.
14. When preparing/cooking food/liquid and remember that there are certain foods, e.g. Christmas puddings, jam and mincemeat, which heat up very quickly. When heating or cooking foods with a high fat or sugar content do not use plastic containers.
15. Cooking utensil may become hot because of heat transferred from the heated food. This is especially true if plastic wrap has been covering the top and handles of the utensil. Potholders may be needed to handle the utensil.
16. To reduce the risk of fire in the oven cavity:
 - a) Do not overcook food. Carefully attend microwave oven if paper, plastic, or other combustible materials are placed inside the oven to facilitate cooking.
 - b) Remove wire twist-ties from bags before placing bag in oven.
 - c) If materials inside the oven should ignite, keep oven door closed, turn the oven off at the wall switch, or shut off power at the fuse or circuit breaker panel.

OPERATION OF CONTROL PANEL



DISPLAY
Shows the clock, cooking time and setting.

DEFROST
Use this key to defrost the food by time and weight

MICROW.
Use this key to select the microwave power level.

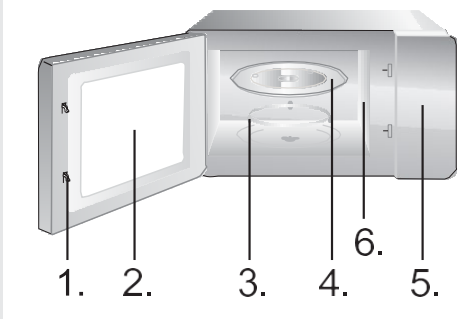
CLOCK
Hold this key for 3 sec to set the clock.

TIMER
Use this key to set the timer function.

ICONS
Use these keys to set time and food weight and to choose the auto menu programmes.

STOP/CANCEL
Use this key to stop or cancel the setting. Hold 3sec for child lock

START/+30 SEC
Use this key to do quick start cooking of 30 seconds, increase cooking time by 30 seconds (by each press), or confirm cooking settings.



1. Door Safety Lock System
2. Oven Window
3. Roller Ring
4. Glass Tray
5. Control Panel
6. Wave guide (please do not remove the mica plate covering the wave guide)

MICROWAVE FUNCTION

There are ten microwave power levels, 100P, 90P, 80P, 70P, 60P, 50P, 40P, 30P, 20P and 10P, respectively. Turn the below knob to increase or decrease cooking time, the time range can be selected from 0:10 to 60:00. After select the time, press “START/+30s” button to start work. An buzzing sound to notify completion of the operation.

HIGH	100% and 90% power output	(Applicable for quick and thorough cooking)
M.High	80% and 70% power output	(Applicable for medium express cooking)
Med	60% and 50% power output	(Applicable for steaming food)
M.Low	40% and 30% power output	(Applicable for defrosting food)
LOW	20% and 10% power output	(Applicable for keeping warm)

CAUTION

- a. The max time which can be set is 60 minutes
- b. Never operate the oven empty.
- c. At the maximum microwave power, the oven will automatically lower the power after a certain time of cooking to lengthen the service life.
- d. If you turn the food during operation, press the **START/+30s**

button once and the preset cooking procedure will continue.

e. If you intend to remove the food before the preset time, you

must press **STOP/CANCEL** button once to clear the preset procedure to avoid unintended operation of next time use.

DEFROST/CLOCK

DEFROST

There are two defrost mode, dEF1 and dEF2, respectively. dEF1 for defrost by weight and dEF2 for defrost by time. Press this button to select defrost by weight or by time, and the display screen will display "dEF1" or "dEF2". Turn the knob to select food weight or defrost time. The weight range of dEF1 is from 100 to 1500g, and the maximum time of dEF2 is 60:00. After selecting the defrost weight or time, press the "START/+30s" button start to work. An buzzing sound to notify completion of the operation. The dEF1 defrost mode by weight will have a beeping sound to prompt the food to be turned over during defrosting.

Below is some food defrosting time advice:

dEF1	For defrosting, the weight range from 100 to 1500g.
dEF2	For defrosting, the maximum time is 60:00.

CAUTION

- a. It is necessary to turn over the food during operation to obtain uniform effect.
- b. Usually defrosting will need longer time than that of cooking the food.
- c. If the food can be cut by knife, the defrosting process can be considered completed.
- d. Microwave penetrates around 4cm into most food
- e. Defrosted food should be consumed as soon as possible, it is not advised to put back to fridge and freeze again.

CLOCK (24-hour clock)

In standby mode, press and hold down the "DEFROST/CLOCK" button for more than 3 seconds to enter the clock setting interface. At the same time, the display screen blinks in hours. The hour time can be set by turning the knob. After setting the hour, press the "START/+30s" button for a short time to switch to the setting minute mode. The minutes can be set by turning the knob. After setting minutes, press the "START/+30s" button again to exit the setting mode.

AUTO COOKING

There are eight automatic menus A.1~A.8, Potato, Pasta, Pizza, Popcorn, Vegetable, Beverage, Meat and Fish respectively. Press the “Menu” button continuously to select the desired menu, then turn the knob to select the weight of the menu. After selecting the cooking weight, press “START/+30s” button to start work. An buzzing sound to notify completion of the operation.

Display	Kind	Method
A.1	Potato	The optional weight are 250g, 500g and 750g
A.2	Pasta	The optional weight are 50g, 100g and 150g
A.3	Pizza	The optional weight are 200g and 400g
A.4	Popcorn	The optional weight is 100g
A.5	Vegetable	The optional weight are 200g, 400g and 600g
A.6	Beverage	The optional weight are 1 cup, 2 cups or 3 cups, each one about 250ml.
A.7	Meat	The optional weight are 200g, 400g and 600g
A.8	Fish	The optional weight are 200g, 400g and 600g

CAUTION

- a. The temperature of food before cooking would be 20-25°C. Higher or lower temperature of the food before cooking would require increase or decrease of cooking time.
- b. The temperature, weight and shape of food will largely influence the cooking effect. If any deviation has been found to the factor noted on above menu, you can adjust the cooking time for best result.

TIMER

In standby mode, press this button to enter the setting interface, and the countdown function icon and "0:00" will be displayed on the display screen. Turn the knob to set the time, the maximum time that can be input is 60:00. After setting the time, press the "START/+30s" button to begins the countdown. An buzzing sound to notify completion of the countdown

REHEAT/ECO**REHEAT**

Reheat function is mainly to facilitate users to heat food according to the weight of food, turn the knob to select the appropriate weight of food, the optional weights are 200g, 400g, 600g, 800g and 1000g. After select the weight, press “START/+30s” button to start work. An buzzing sound to notify completion of the operation.

ECO

In standby mode, press and hold down the Reheat button for 3s to turn on ECO, and the display will turn off. When turning on ECO, press any button to turn off the ECO function.

STOP

In the process of cooking settings, can press “STOP” button to cancel the settings and return to standby state. In the process of microwave oven working, can press “STOP” button to pause. In the standby state, can press “STOP” button again to cancel the function and return to standby state.

START/+30s

After setting the cooking time or food weight, press the “START/+30s” button to start the microwave oven immediately. In working state, can press “START/+30s” button to increase time, press one time to increase 30 seconds, but the menu mode and weight defrosting mode can not adjust time. In pause state, can press “START/+30s” button to continue the microwave oven before cooking mode.

EXPRESS

In standby mode, after the food is put in and the door is closed, press the "START/+30s" button to quickly start the microwave. The default working time is 30 seconds. In the process of working, press the "START/+30s" button once for 30 seconds. An buzzing sound to notify completion of the operation.

CHILD LOCK FUNCTION

Use this feature to lock the control panel when you are cleaning or so that children can not use the oven unsupervised. All the buttons are rendered inoperable in this mode.

- 1) Set lock: In standby mode, press the "STOP" button for more than 3 seconds, the child lock function is locked, and all buttons of the microwave oven can not be operated.
- 2) Cancel lock: In the child lock state, press the "STOP" button for more than 3 seconds to cancel the child lock function.

UTENSILS GUIDELINE

It is strongly recommended to use the containers which are suitable and safe for microwave cooking. Generally speaking, the containers which are made of heat-resistant ceramic, glass or plastic are suitable for microwave cooking. Never use the metal containers for microwave cooking and combination cooking as spark is likely to occur. You can take the reference of below table.

Material of container	Microwave	Notes
Heat-resistant ceramic	Yes	Never use the ceramics which are decorated with metal rim or glazed
Heat-resistant plastic	Yes	Cannot be used for long time microwave cooking
Heat-resistant glass	Yes	
Grill rack	No	
Plastic film	Yes	It should not be used when cooking meat or chops as the over-temperature may do damage to the film

COOKING TIPS

The following factors may affect the cooking result:

Food arrangement

Place thicker areas towards outside of dish, the thinner part towards the centre and spread it evenly. Do not overlap if possible.

Cooking time length

Start cooking with a short time setting, evaluate it after it times out and extend it according to the actual need. Over cooking may result in smoke and burns.

Cooking food evenly

Food such as chicken, hamburger or steak should be turned once during cooking. Depending on the type of food, if applicable, stir it from outside to centre of dish once or twice during cooking

Allow standing time

After cooking times out, leave the food in the oven for an adequate length of time, this allows it to complete its cooking cycle and cooling it down in a gradual manner

Whether the food is done

Color and hardness of food help to determine if it is done, these include:

- Steam coming out from all parts of food, not just the edge
- Joints of poultry can be moved easily
- Pork or poultry shows no signs of blood
- Fish is opaque and can be sliced easily with a fork

Browning dish

When using a browning dish or self-heating container, always place a heat-resistant insulator such as a porcelain plate under it to prevent damage to the turntable and rotating ring.

Microwave safe plastic wrap

When cooking food with high fat content, do not allow the plastic wrap come into contact with food as it may melt

Microwave safe plastic cookware

Some microwave safe plastic cookware might not be suitable for cooking foods with high fat and sugar content. Also, the preheating time specified in the dish instruction manual must not be exceeded

MAINTENANCE

SERVICING

Please check the following before calling for services.

1. Place one cup of water (approx.150ml) in a glass measure in the oven and close the door securely. Oven lamp should go off if the door is closed properly. Let the oven work for 1 min.
 2. Does the oven lamp light?
 3. Does the cooling fan work?
(Put your hand over the rear ventilation openings.)
 4. Does the turntable rotate?

(The turntable can rotate clockwise or counter clockwise. This is quite normal.)

5. Is the water inside the oven hot?

If “NO” is the answer to any of the above questions, please

check your wall socket and the fuse in your meter box.

If both the wall socket and the fuse are functioning properly, CONTACT YOUR NEAREST SERVICE CENTER APPROVED.

SERVICING SAFEGUARDS

Caution: MICROWAVE RADIATION

1. The high voltage capacitor remains charge after disconnection; short the negative terminal of H. V capacitor to the oven chassis (use a screwdriver) to discharge before touching.

2. During servicing below listed parts are liable to be removed and give access to potentials above 250V to earth.

- Magnetron
- High voltage transformer
- High voltage capacitor
- High voltage diode
- High voltage fuse

3. The following conditions may cause undue microwave exposure during servicing.

- Improper fitting of magnetron;
- Improper matching of door interlock, door hinge and door;
- Improper fitting of switch support;
- Door, door seal or enclosure has been damaged.

SPECIFICATIONS

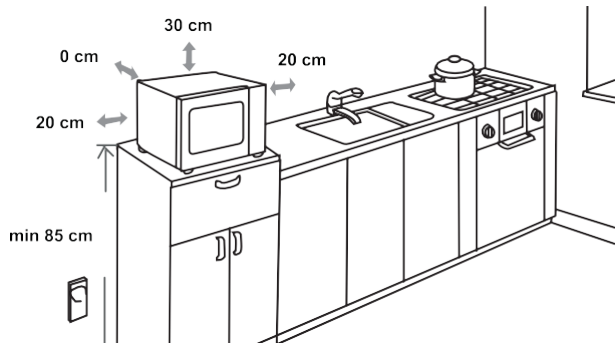
Power consumption.....	220-240V ~50Hz, 1280W
Output power	800W
Operating Frequency.....	2450MHz
Outside Dimensions	480 x 295 x 352 mm
Oven Capacity.....	23 litres
Uncrated Weight.....	Approx. 11.7kg
Noise level.	Lc ≤61 dB (A)



This appliance is marked according to the European directive 2012/19/EU on Waste Electrical and Electronic Equipment (WEEE).

This guideline is the frame of a European-wide validity of return and recycling on Waste Electrical and Electronic Equipment.

MOUNTING DIMENSIONS



RADIO INTERFERENCE

Microwave oven may cause interference to your radio, TV, or similar equipment. When interference occurs, it may be eliminated or reduced by the following procedures.

- a) Clean the door and sealing surface of the oven.
- b) Place the radio, TV, etc. as far away from your microwave oven as possible.
- c) Use a properly installed antenna for your radio, TV, etc. to get a strong signal reception.

WE RESERVE THE RIGHT TO MAKE ANY CHANGES
THAT DO NOT AFFECT THE FUNCTIONALITY OF THE
APPLIANCE.

Hisense

KJÆRE KUNDE!

Tusen takk for at du kjøpte dette produktet. Vi tror du snart vil finne rikelig med bevis på at du virkelig kan stole på produktene våre. For å gjøre bruken av apparatet enklere legger vi ved denne omfattende bruksanvisningen.

Instruksjonene skal hjelpe deg med å bli kjent med det nye apparatet. Les dem nøye før du bruker apparatet første gang.

I alle fall må du forsikre deg om at apparatet ble levert til deg uskadet. Hvis du oppdager transportskader, kan du kontakte selgeren eller det regionale lageret som produktet ble levert fra. Du finner telefonnummeret på kvitteringen eller leveringsrapporten.

Vi håper du får mye glede av det nye apparatet ditt.



Apparatet varmer opp mat og drikke ved bruk av elektromagnetisk energi, og er kun til innendørs bruk.

BRUKSANVISNING

Disse instruksjonene er ment for brukeren. De beskriver ovnen og hvordan du bruker den. De gjelder også for ulike typer apparater, derfor kan du finne noen beskrivelser av funksjoner som kanskje ikke gjelder for apparatet ditt.

Vi forbeholder oss retten til å foreta endringer i bruksanvisningen.

VIKTIGE SIKKERHETSANVISNINGER



Berør aldri overflatene på varme- eller kokeapparater. De vil bli varme under bruk. Hold barn på trygg avstand. Fare for brannskader!



Mikrobølgeenergi og høy spenning!
Ikke fjern dekselet.

ADVARSEL! Apparatet og de tilgjengelige delene blir varme under bruk. Det må utvises forsiktighet for å unngå å berøre varmeelementer. Barn under 8 år skal holdes borte med mindre de er under kontinuerlig tilsyn. Barn skal holdes under tilsyn for å sikre at de ikke leker med apparatet.

Dette apparatet kan brukes av barn som er 8 år eller eldre, og av personer med reduserte fysiske, sensoriske eller mentale evner eller manglende erfaring og kunnskap dersom de får tilsyn eller veiledning om sikker bruk av apparatet og forstår hvilke farer som er involvert. Ikke la barn leke med apparatet. Rengjøring og vedlikehold skal ikke utføres av barn med mindre de har fylt åtte år og er under tilsyn.

Oppbevar apparatet og ledningen utilgjengelig for barn under 8 år.

- **ADVARSEL:** Når apparatet brukes i kombinasjonsmodus, skal barn kun bruke ovnen under tilsyn av en voksen på grunn av temperaturene som genereres (gjelder kun for modellen med grillfunksjon)

- **ADVARSEL:** Hvis døren eller dørtetningene er skadet, må ovnen ikke brukes før den er reparert av en kompetent person.
- **ADVARSEL:** Det er farlig for andre enn en kompetent person å utføre service eller reparasjon som innebærer fjerning av et deksel som gir beskyttelse mot eksponering for mikrobølgeenergi.
- **ADVARSEL:** Væsker og andre matvarer må ikke varmes opp i forseglede beholdere, da de kan eksplodere..
- Barn skal holdes under tilsyn for å sikre at de ikke leker med apparatet.
- Ikke fjern ovnens føtter, og ikke blokker ovnens lufteåpninger.
- Bruk kun redskaper som er egnet for bruk i mikrobølgeovner.
- Når du varmer opp mat i plast- eller papirbeholdere, må du følge med på prosessen på grunn av faren for antenning.
- Hvis det oppstår røyk, må du slå av eller koble apparatet fra strømforsyningen og holde døren lukket for å kvele eventuelle flammer;
- Mikrobølgeoppvarming av drikkevarer kan føre til forsinket koking, og du må derfor være forsiktig når du skal håndtere beholderen;
- Innholdet i tåteflasker og glass med barnemat skal omrøres eller ristes, og temperaturen må kontrolleres før inntak for å unngå forbrenningsskader.

- Rå egg med skallet på og hele hardkokte egg må ikke varmes opp i mikrobølgeovner, da de kan eksplodere, også etter at mikrobølgeoppvarmingen er avsluttet.
- Når du skal rengjøre døren, dørtetningen eller ovensrommet, må du kun bruke en mild ikke-slipende såpe eller et oppvaskmiddel som påføres med en svamp eller en myk klut.
- Rengjør ovnen regelmessig, og fjern eventuelle matrester;
- Hvis ovnen ikke holdes ren, kan det føre til forringelse av overflaten, som igjen kan påvirke levetiden til apparatet og føre til farlige situasjoner.
- Hvis strømledningen er skadet, kan den kun erstattes av produsenten, produsentens serviceorganisasjon eller tilsvarende kvalifiserte personer, for å unngå at det oppstår farlige situasjoner.
- Ikke la ledningen henge over kanten på bordet eller benkeplaten.
- Apparatet må aldri kobles til en ekstern timer eller et fjernkontrollsystem, da dette kan føre til farlige situasjoner.
- Skift aldri ut lyspæren inni ovnen. Den må alltid skiftes ut av Hisense service.
- Ikke rengjør ikke apparatet med damprensere, høytrykksvaskere, skarpe gjenstander, slipende rengjøringsmidler eller slipende svamper og flekkfjerningsmidler.

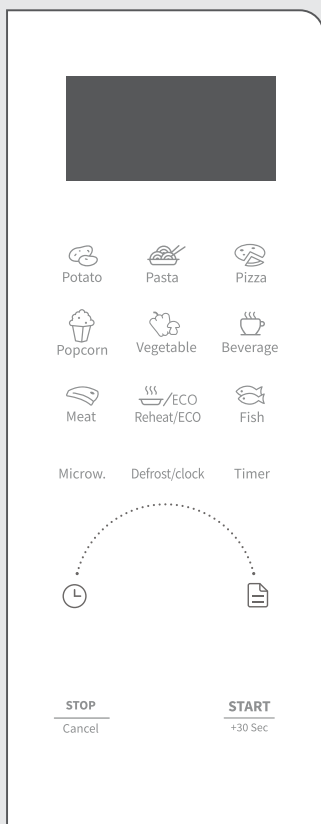
Nedenfor følger en liste som gjelder for alle apparater, med visse regler og sikkerhetstiltak som må følges for å sikre topp ytelse fra denne ovnen:

1. Ha alltid glassbrettet, rullearmene, koblingen og rullesporet på plass når du bruker ovnen.
2. Ikke bruk ovnen til noe annet enn tilberedning av mat, for eksempel til tørking av klær, papir eller andre ikke-matvarer, eller til sterilisering.
3. Bruk ikke ovnen når den er tom. Dette kan skade ovnen.
4. Ikke bruk ovnsrommet til noen form for lagring, av for.eks. papirer, kokebøker eller annet.
5. Ikke kok mat som er omgitt av en membran, for eksempel eggeplommer, poteter, kyllinglever etc. uten først å gjennombore matvaren flere ganger med en gaffel.
6. Fø ikke gjenstander inn i åpningene på det ytre dekslet.
7. Ikke fjern deler av ovnen på noe tidspunkt, for eksempel føtter, koblinger, skruer osv.
8. Ikke tilbered mat direkte på glassplaten. Plasser maten i/på en egnet matlagingsbeholder før du setter den i ovnen. **VIKTIG - KOKEKAR SKAL IKKE BRUKES I MIKROBØLGEOVNEN**
 - Ikke bruk metallpanner eller fat med metallhåndtak.
 - Ikke bruk noe som har pynt av metall.
 - Ikke bruk papirbelagte poselukkere på plastposer.
 - Ikke bruk melaminfat, da de inneholder et materiale som vil absorbere mikrobølgeenergi. Dette kan føre til at fatene sprekker eller forkuller og vil redusere kokehastigheten.
 - Bruk ikke Centura-servise. Glasuren er ikke egnet til bruk i mikrobølgeovn. Corelle Livingware-kopper med lukkede håndtak bør ikke brukes.
 - Ikke kok i en beholder med begrenset åpning, for eksempel en brusflaske eller forseglet oljeflaske, da de kan eksplodere hvis de varmes opp i en mikrobølgeovn.
 - Ikke bruk konvensjonelle kjøtt- eller sukkertermometere.
 - Det finnes termometrene som er spesielt tilpasset matlagning i mikrobølgeovn. Disse kan brukes.
9. Mikrobølgeredskaper skal kun brukes i henhold til produsentens anvisninger.
10. Ikke forsøk å frityrsteke mat i denne ovnen.
11. Husk at en mikrobølgeovn bare varmer opp væsken i en beholder i stedet for selve beholderen. Så selv om lokket på en beholder ikke kjennes

varmt ut når du tar den ut av ovnen, må du være klar over at maten/væsken inni vil avgi like mye damp og/eller sprut som når du lager mat på tradisjonell måte, når du tar av lokket.

12. Sjekk alltid temperaturen til maten selv, spesielt hvis du varmer opp eller koker mat/drikke for barn. Vi anbefaler at du aldri inntar mat/drikke rett fra ovnen, men at du lar den stå i noen minutter og rører om for å fordele varmen jevnt.
13. Mat som inneholder en blanding av fett og vann, f.eks. kraft, bør stå i 30–60 sekunder i ovnen etter at den er slått av. Dette er for å la blandingen sette seg og hindre bobling når du setter en skje i maten/væsken eller tilsetter en buljongterning.
14. Når du tilbereder/koker mat/væske, må du være klar over at det er enkelte matvarer, f.eks. plumpuddinger og syltetøy, som varmes opp svært raskt. Når du varmer opp eller koker mat med høyt fett- eller sukkerinnhold, må du ikke bruke plastbeholdere.
15. Beholdere kan bli varme på grunn av varmen som overføres fra den oppvarmede maten. Dette gjelder spesielt hvis toppen og håndtakene på beholderen har vært dekket av plastfolie. Det kan hende du trenger grytekluter for å kunne håndtere beholderen.
16. Slik reduserer risikoen for brann i ovnsrommet:
 - a) Ikke kok maten for lenge. Følg nøye med på prosessen hvis du bruker papir, plast eller andre antenkelige materialer i ovnen for å lette matlagingen.
 - b) Fjern poselukkere av metall før du legger poser i ovnen.
 - c) Hvis materialer i ovnen skulle antenne, må du holde døren lukket og trekke ut støpselet eller skru av sikringen i sikringsskapet.

BRUK AV KONTROLLPANELET



SKJERM

Viser klokken, tilberedningstiden og innstillingen.

TINING

Bruk denne knappen til å tine maten etter tid og vek

MIKROB.

Bruk denne knappen til å velge effektnivået for mikrobølgeovnen.

KLOKKE

Hold denne knappen inne i 3 sek for å stille inn klokken.

TIMER

Bruk denne tasten til å stille inn timerfunksjonen.

IKONER

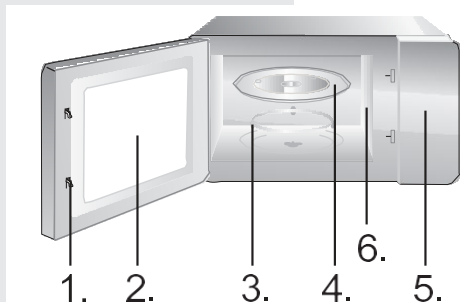
Bruk disse knappene til å angi tid og matvekt og til å velge de automatiske menyprogrammene.

STOPP/AVBRYT

Bruk denne knappen for å stoppe eller avbryte innstillingen. Hold inne i 3 sek for barnesikring.

START/+30 SEK

Bruk denne knappen for å starte hurtigtilberedning i 30 sekunder, øke tilberedningstiden med 30 sekunder (for hvert trykk) eller for å bekrefte innstillingene.



1. Dørens sikkerhetslås
2. Ovnsvindu
3. Rullering
4. Glassplate
5. Kontrollpanel
6. Bølgeleder (ikke fjern glimmerplaten som dekker bølgelederen)

Det er ti mikrobølgeeffektnivåer, henholdsvis 100P, 90P, 80P, 70P, 60P, 50P, 40P, 30P, 20P og 10P. Vri på dreiebryteren nedenfor for å øke eller redusere koketiden, tidsintervallet kan velges fra 0:10 til 60:00. Når du har valgt tid, trykker du på "START/+30s"-knappen for å starte kokeprosessen. Du hører en summelyd når prosessen er fullført.

HØY	100 % og 90 % effekt	(gjelder for rask og grundig tilberedning)
Middels høy	80 % og 70 % effekt	(gjelder for middels rask tilberedning)
Middels	60 % og 50 % effekt	(gjelder for damping av mat)
Middels lav	40 % og 30 % effekt	(gjelder for tining av mat)
LAV	20 % og 10 % effekt	(gjelder for å holde maten varm)

CAUTION

- a. Maksimal tid som kan stilles inn er 60 minutter
- b. Bruk aldri ovnen når den er tom.
- c. Ved maksimal mikrobølgeeffekt vil ovnen automatisk senke effekten etter en viss tid med matlaging for å forlenge levetiden.
- d. Hvis du snur maten under drift, trykker du på **START/+30s**-knappen

én gang, og den forhåndsinnstilte tilberedningsprosedyren fortsetter.

e. Hvis du skal fjerne maten før den forhåndsinnstilte tiden, må du

trykke på **STOP/CANCEL-knappen** én gang for å fjerne den forhåndsinnstilte prosedyren for å unngå utilsiktet bruk neste gang.

TINING/KLOKKETINING

Det er to moduser for tining, henholdsvis dEF1 og dEF2. dEF1 for tining etter vekt og dEF2 for tining etter tid. Trykk på denne knappen for å velge tining etter vekt eller etter tid, og displayet vil vise "dEF1" eller "dEF2". Vri på dreiebryteren for å velge matvekt eller tinetid. Vektområdet for dEF1 er fra 100 til 1500 g, og maksimal tid for dEF2 er 60:00. Etter at du har valgt tiningsvekt eller -tid, trykker du på "START/+30s"-knappen for å starte prosessen. Du hører en summelyd når prosessen er fullført. Tiningsmodus dF1 etter vekt vil ha en pipelyd for å varsle om at maten skal snus under tining.

Nedenfor finner du noen råd om tining av mat:

dEF1	For tining er vektområdet fra 100 g til 1500 g.
dEF2	For tining er maksimal tid 60:00.

CAUTION

- a. Det er nødvendig å snu maten i løpet av prosessen for å oppnå jevn effekt.
- b. Vanligvis vil tining ta lengre tid enn koking.
- c. Hvis maten kan skjæres med kniv, kan tiningen regnes som ferdig.
- d. Mikrobølger trenger ca. 4 cm inn i de fleste typer mat.
- e. Tinet mat bør spises så snart som mulig. Det anbefales ikke å sette maten tilbake i kjøleskapet eller fryse den igjen.

KLOKKE (24-timers klokke)

I standby-modus, trykk og hold nede "DEFROST/CLOCK"-knappen i mer enn 3 sekunder for å gå inn i grensesnittet klokkeinnstilling. Da blinker skjermen i timevisning. Timetiden kan stilles inn ved å vri på dreiebryteren. Når du har stilt inn tiden, trykker du på "START/+30s"-knappen en kort stund for å bytte til innstilling av minutter. Minuttene kan stilles inn ved å vri på dreiebryteren. Når du har stilt inn minuttene, trykker du på "START/+30s"-knappen igjen for å gå ut av innstillingsmodus.

Det er åtte automatiske menyer A.1~A.8, for henholdsvis potet, pasta, pizza, popcorn, grønnsaker, drikke, kjøtt og fisk. Trykk på "Menu"-knappen kontinuerlig for å velge ønsket meny, og vri deretter på dreiebryteren for å velge vekten av menyen. Etter at du har valgt tilberedningsvekten, trykker du på "START/+30s"-knappen for å starte prosessen. Du hører en summelyd når prosessen er fullført.

Display	Type	Metode
A.1	Potet	Den valgfrie vekten er 250 g, 500 g og 750 g
A.2	Pasta	Den valgfrie vekten er 50 g, 100 g og 150 g
A.3	Pizza	Den valgfrie vekten er 200 g og 400 g
A.4	Popkorn	Den valgfrie vekten er 100 g
A.5	Grønnsaker	Den valgfrie vekten er 200 g, 400 g og 600 g
A.6	Drikke	Den valgfrie vekten er 1 kopp, 2 kopper eller 3 kopper, hver og ca. 250 ml.
A.7	Kjøtt	Den valgfrie vekten er 200 g, 400 g og 600 g
A.8	Fisk	Den valgfrie vekten er 200 g, 400 g og 600 g

CAUTION

- a. Temperaturen på maten før koking vil normalt være 20-25 °C. Høyere eller lavere temperatur på maten før tilberedning vil kreve økning eller reduksjon av tilberedningstiden.
- b. Temperaturen, vekten og formen på maten vil i stor grad påvirke kokeeffekten. Hvis det er funnet avvik i faktoren som er angitt på menyen ovenfor, kan du justere tilberedningstiden for å oppnå best resultat.

TIMER

I standby-modus trykker du på denne knappen for å gå inn i grensesnitt for innstillinger, og ikonet for nedtelling og "0:00" vises på skjermen. Vri på dreiebryteren for å stille inn tiden, den maksimale tiden som kan legges inn, er 60:00. Etter å ha stilt inn tiden trykker du på "START/+30s"-knappen for å starte nedtellingen. Du hører en summelyd når prosessen er fullført.

**GJENOPPVARMING/
ECO
GJENOPPVARMING**

Gjenoppvarmingsfunksjonen er hovedsakelig for å gjøre det lett for brukerne å varme mat i henhold til vekten av maten. Vri på dreiebryteren for å velge riktig vekt på maten, de valgfrie vektene er 200 g, 400 g, 600 g, 800 g og 1000 g. Når du har valgt vekt, trykker du på "START/+30s"-knappen for å starte kokeprosessen. Du hører en summelyd når prosessen er fullført.

ECO

I standby-modus, trykk og hold nede Reheat-knappen i 3 s for å slå på ECO, og displayet slås av. Når du slår på ECO, trykker du på en hvilken som helst knapp for å slå av ECO-funksjonen

STOPP

Når du stiller inn kokemodus, kan du trykke på "STOPP"-knappen for å avbryte innstillingene og gå tilbake til standby-modus. Når mikrobølgeovnen er i bruk, kan du trykke på "STOPP"-knappen for sette prosessen å pause. I standby-modus kan du trykke på "STOPP"-knappen igjen for å avbryte funksjonen og gå tilbake til standby-modus.

START/+30s

Når du har stilt inn tilberedningstiden eller matvekten, trykker du på "START/+30s"-knappen for å starte mikrobølgeovnen umiddelbart. Når ovnen er i drift, kan du trykke på "START/+30s"-knappen for å øke tiden, trykk én gang for å øke med 30 sekunder, men tiden kan ikke justeres i menymodus og tinemodus. I pausetilstand kan du trykke på "START/+30s"-knappen for å starte mikrobølgeovnen i tilberedningsmodus.

EKSPRESS

I standby-modus, etter at maten er satt inn og døren er lukket, trykker du på "START/+30s"-knappen for å starte mikrobølgeovnen raskt. Standard arbeidstid er 30 sekunder. Når ovnen er i bruk, trykker du på "START/+30s"-knappen én gang for å få 30 sekunder. Du hører en summelyd når prosessen er fullført.

BARNESIKRING

Bruk denne funksjonen til å låse kontrollpanelet når du rengjør eller slik at barn ikke kan bruke ovnen uten tilsyn. Ingen knapper fungerer i denne modusen.

1) Aktiver lås: I standby-modus trykker du på "STOPP"-knappen i mer enn 3 sekunder for å slå på barnesikringen, og da kan ingen av knappene på mikrobølgeovnen betjenes.

2) Deaktivere barnesikring: I barnesikringsmodusen trykker du på "STOPP"-knappen i mer enn 3 sekunder for å avbryte barnesikringsfunksjonen.

RETNINGSLINJER FOR REDSKAPER

Det anbefales på det sterkeste å bruke beholdere som er egnet og trygge for matlaging i mikrobølgeovn. Generelt sett er beholdere som er laget av varmebestandig keramikk, glass eller plast egnet for mikrobølgeovn. Bruk aldri metallbeholdere til matlaging i mikrobølgeovn og kombinasjonstilberedning, da det sannsynligvis vil oppstå gnister. Se referanser i tabellen nedenfor.

Materiale i beholder	Mikrobølgeovn	Merknader
Varmebestandig keramikk	Ja	Bruk aldri keramikk som er dekorert med metallkant eller glasert
Varmebestandig plast	Ja	Kan ikke brukes i mikrobølgeovn for mat som krever lang tilberedningstid
Varmebestandig glass	Ja	
Grillrist	Nei	
Plastfilm	Ja	Det bør ikke brukes når du tilbereder kjøtt eller koteletter da for høy temperatur kan skade filmen

Følgende faktorer kan påvirke tilberedningsresultatet:

Plasser av maten

Plasser tykkere områder mot ytterkanten av tallerkenen, de tynnere delene mot midten, og fordel det jevnt. Ikke overlapp hvis mulig.

Lengden på tilberedningstiden

Begynn å lage mat med kort tidsinnstilling, vurder den etter at den er tiden har gått ut, og forleng tiden i henhold til det faktiske behovet. For lang tilberedningstid kan føre til røyk og brannskader.

Jevn tilberedning av maten

Mat som kylling, hamburger eller biff bør vendes en gang under tilberedningen. Avhengig av type mat, hvis det er aktuelt, flytt den ytterkanten til midten av tallerkenen en eller to ganger under tilberedningen

La maten stå i ovnen

Etter at tilberedningstiden er ferdig, la maten stå i ovnen i tilstrekkelig lang tid, slik at den kan fullføre tilberedningssyklusen og avkjøles gradvis

Se om maten er ferdig

Matens farge og hardhet bidrar til å avgjøre om den er ferdig. Dette omfatter:

- Damp som kommer ut fra alle deler av maten, ikke bare kanten
- Stykker av fjærfe kan flyttes lett
- Svinekjøtt eller fjærfe viser ingen tegn til blod
- Fisken er ugjennomsiktig og kan enkelt skjæres i skiver med en gaffel

Bruning av rett

Når du bruker et bruningsfat eller en selvoppvarmende beholder, må du alltid plassere en varmebestandig isolator, feks. en porselenstallerken under den for å forhindre skade på dreieskiven og den roterende ringen.

Plastfolie som kan brukes i mikrobølgeovn

Når du tilbereder mat med høyt fettinnhold, må du ikke la plastfolien komme i kontakt med maten, da den kan smelte

Kokekar som kan brukes i mikrobølgeovn

Noen mikrobølgesikre plastkokekar er kanskje ikke egnet for å lage mat med høyt fett- og sukkerinnhold. Forvarmingstiden som er angitt i bruksanvisningen for retten må heller ikke overskrides

VEDLIKEHOLD

SERVICE

Kontroller følgende før du tilkaller service.

1. Plasser en kopp vann (ca. 150 ml) i et glass i ovnen og lukk døren godt. Ovnslampen skal slukkes hvis døren er ordentlig lukket. La ovnen jobbe i 1 min.
 2. Lyser ovnslampen?
 3. Fungerer kjøleviften?
(Legg hånden over ventilasjonsåpningene bak.)
 4. Roterer dreieskiven?

.(Dreieskiven kan rotere med eller mot klokken. Dette er helt normalt.)

5. Er vannet inne i ovnen varmt?

Hvis svaret er "NEI" på noen av spørsmålene ovenfor, skal du sjekke stikkkontakten og sikringen i sikringsskapet.

Hvis både stikkkontakten og sikringen fungerer som de skal, KONTAKT DITT NÆRMESTE GODKJENTE SERVICESENTER.

SERVICE PÅ

SIKKERHETSFUNKSJONER

Forsiktig: MIKROBØLGESTRÅLING

1. Høyspenningskondensatoren forblir ladet etter frakobling, kortslutt den negative polen til høyspenningskondensatoren til ovnschassiset (bruk en skrutrekker) for utlading før du tar på den.

2. Under service kan de nedenfor oppførte delene fjernes og gi tilgang til potensiale over 250 V til jord.

- Magnetron
- Høyspenningstransformator
- Høyspenningskondensator
- Høyspenningsdiode
- Høyspenningssikring

3. Følgende forhold kan forårsake unødig mikrobølgeeksponering under service.

- Feil montering av magnetron.
- Feil matching av dørlås, dørhengsel og dør.
- Feil montering av bryterstøtte.
- Dør, dørpakning eller innkapsling er skadet.

SPESIFIKASJONER

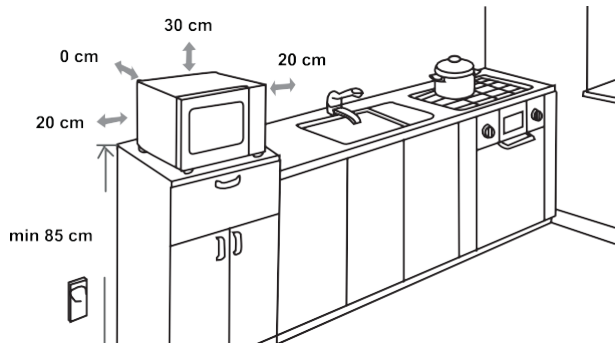
Strømforbruk	220-240V ~50Hz, 1280W
Utgangseffekt.....	800 W
Driftsfrekvens	2450 MHz
Utvendige mål.....	480 x 295 x 352 mm
Ovnkapasitet	23 liter
Vekt u/emballasje.....	Ca. 11.7 kg
Støynivå	L c ≤ 61 dB (A)



Dette apparatet er merket i henhold til EU-direktiv 2012/19/EU om elektrisk og elektronisk avfall (WEEE).

Disse retningslinjene gjenspeiler et europeisk regelverk for retur og resirkulering av elektrisk og elektronisk avfall.

MONTERINGSDIMENSJONER



RADIOINTERFERENS

Mikrobølgeovner kan forårsake interferens for radio, TV eller lignende utstyr. Når det oppstår interferens, kan den elimineres eller reduseres ved hjelp av følgende prosedyrer.

- a) Rengjør døren og tetningsflaten til ovnen.
- b) Plasser radioen, TV-en, osv. så langt unna mikrobølgeovnen som mulig.
- c) Bruk en riktig installert antenne til radioen, TV-en osv. for å få sterkt signalmottak.

VI FORBEHOLDER OSS RETTEN TIL Å GJØRE
ENDRINGER SOM IKKE PÅVIRKER
FUNKSJONALITETEN TIL APPARATET.

Hisense

SZANOWNY KLIENCIE

Dziękujemy za Twój zakup. Wierzymy, że niedługo zrozumiesz, iż możesz polegać na naszych produktach. Aby ułatwić Ci używanie urządzenia, dołączamy do niego zrozumiałą instrukcję obsługi.

Instrukcja pomoże Ci zapoznać się z Twoim nowym urządzeniem. Przeczytaj ją uważnie przed rozpoczęciem użytkowania urządzenia.

Upewnij się, że dostarczone urządzenie nie jest uszkodzone. W przypadku stwierdzenia uszkodzeń, skontaktuj się z miejscowym sprzedawcą. Numer telefonu znajdziesz na potwierdzeniu zakupu lub dostawy.

Mamy nadzieję, że urządzenie sprawi Ci wiele przyjemności.



Urządzenie jest przeznaczone do użytku domowego do podgrzewania żywności i napojów za pomocą energii elektromagnetycznej. Tylko do użytku w pomieszczeniach.

INSTRUKCJA OBSŁUGI

Ta instrukcja jest przeznaczona dla użytkownika. Zawiera opis kuchenki i sposób jej używania. Instrukcja dotyczy również innych typów urządzenia, w związku z czym możesz w niej znaleźć informacje, które nie mają zastosowania do Twojego urządzenia.

Zastrzegamy sobie prawo do wprowadzania zmian w instrukcji obsługi.



Nie dotykać powierzchni urządzeń grzewczych lub kuchennych. Urządzenia to rozgrzewają się podczas pracy. Dzieci powinny przebywać w bezpiecznej odległości. Ryzyko oparzenia!



Energia mikrofalowa & Wysokie napięcie!
Nie usuwać pokrywy.

OSTRZEŻENIE! Urządzenie i akcesoria nagrzewają się podczas pracy. Zachować ostrożność, by uniknąć dotknięcia gorących elementów. Dzieci poniżej 8 roku życia nie powinny używać urządzenia, chyba że pozostają pod stałym nadzorem. Dzieci powinny pozostawać pod nadzorem, by nie bawiły się urządzeniem.

Niniejsze urządzenie nie jest przeznaczone do użytku przez osoby (w tym dzieci poniżej 8 roku życia) o ograniczonych zdolnościach fizycznych, sensorycznych lub umysłowych, lub osoby bez doświadczenia i wiedzy, chyba że będą one nadzorowane lub zostaną poinstruowane w zakresie obsługi urządzenia przez osobę odpowiedzialną za ich bezpieczeństwo. Dzieci nie powinny bawić się urządzeniem. Dzieci mogą wykonywać prace konserwacyjne dopiero, gdy ukończą 8 lat. W trakcie prac konserwacyjnych muszą pozostawać pod nadzorem osoby dorosłej.

Trzymać urządzenie i jego kabel zasilający poza zasięgiem dzieci poniżej 8 roku życia.

- **OSTRZEŻENIE:** Z uwagi na generowane wysokie temperatury (dla modelu z funkcją grillowania), kiedy urządzenie pracuje w trybie kombinowanym, dzieci powinny używać go wyłącznie pod nadzorem osób dorosłych.

- **OSTRZEŻENIE:** Jeżeli drzwiczki lub ich uszczelki są uszkodzone, nie należy używać kuchenki, dopóki nie zostanie naprawiona przez wykwalifikowaną osobę.
- **OSTRZEŻENIE:** Ryzykowne jest przeprowadzanie napraw, obejmujących usuwanie pokrywy chroniącej przed narażaniem na energię mikrofalową, przez osoby niedoświadczone.
- **OSTRZEŻENIE:** Nie wolno podgrzewać cieczy i innej żywności w zamkniętych pojemnikach - ryzyko eksplozji.
- Dzieci powinny pozostawać pod nadzorem, by nie bawiły się urządzeniem.
- Nie usuwać nóżek kuchenki mikrofalowej. Nie zakrywać otworów wentylacyjnych.
- Używać wyłącznie akcesoriów odpowiednich dla kuchenek mikrofalowych.
- Podczas podgrzewania żywności w plastikowym lub papierowym pojemniku należy zwracać uwagę na piekarnik ze względu na możliwość zapłonu.
- W przypadku zauważenia dymu, wyłącz lub odłącz urządzenie i nie otwieraj drzwiczek kuchenki, by zduścić płomień.
- Podgrzewanie napojów w mikrofalach może spowodować opóźnione wrzenie. Zachować ostrożność podczas sięgania po pojemnik.
- Zawartość butelek do karmienia i słoiczków dla niemowląt należy wymieszać lub wstrząsnąć, a przed podaniem sprawdzić temperaturę, aby uniknąć poparzeń.

- Jajek w skorupkach i całych jajek ugotowanych na twardo nie należy podgrzewać w kuchenke mikrofalowej, ponieważ mogą eksplodować nawet po zakończeniu podgrzewania w kuchenke mikrofalowej.
- Do czyszczenia powierzchni drzwiczek, uszczelek drzwiowych i wnętrza kuchenki używać wyłącznie delikatnych mleczek i detergentów, aplikowanych na gąbce lub miękkiej ściereczce.
- Należy regularnie czyścić kuchenkę i usuwać resztki jedzenia.
- Nieutrzymanie kuchenki w czystości prowadzi do pogorszenia stanu powierzchni, co ma negatywny wpływ na żywotność urządzenia i może powodować niebezpieczne sytuacje.
- Jeśli kabel zasilający jest uszkodzony, musi zostać wymieniony przez producenta, autoryzowany serwis lub podobne doświadczone osoby.
- Kabel zasilający nie może zwisać na krawędzi stołu czy blatu.
- W celu uniknięcia niebezpiecznych sytuacji nie podłączać urządzenia do zewnętrznego wyłącznika czasowego lub systemów zdalnej kontroli.
- Nie wymieniać żarówki wewnątrz kuchenki. Żarówkę musi wymienić serwis Hisense.
- Do czyszczenia nie stosować odkurzaczy parowych, myjek wysokociśnieniowych, ostrych przedmiotów, ściernych środków czyszczących i gąbek oraz odplamiaczy.

Poniżej wymieniono pewne zasady, których należy przestrzegać, aby zapewnić najwyższą wydajność tej kuchenki:

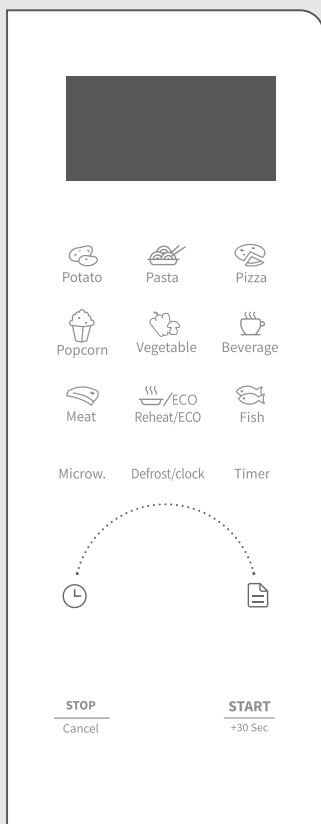
1. W trakcie używania kuchenki szklana taca, ramiona rolowe, złączki itp. muszą być na swoich miejscach.
2. Nie używać kuchenki do celów innych niż przygotowanie jedzenia, np. suszenia ubrań, papieru czy sterylizacji.
3. Nie włączać mikrofal, gdy jest pusta. Może to uszkodzić kuchenkę.
4. Nie używać komory mikrofal do przechowywania czegokolwiek, np. dokumentów, książek kucharskich itp.
5. Nie gotować żywności otoczonej membraną, takich jak żółtka jaja, ziemniaki, kurze wątróbki, bez uprzedniego przekłucia tej membrany widelcem w kilku miejscach.
6. Nie wkładać niczego w otwory na obudowie.
7. Nigdy nie usuwać części kuchenki, takich jak nóżki, złączki, śrubki itp.
8. Nie stawiać żywności bezpośrednio na szklanej tacy. Przed umieszczeniem w kuchence położyć żywność na/w odpowiednim naczyniu.

WAŻNE - W KUCHENCIE MIKROFALOWEJ NIE UŻYWAĆ:

- Nie używać metalowych patelni i naczyń z metalowymi uchwytami.
 - Nie używać przedmiotów z metalowym wykończeniem.
 - Nie używać pokrytych papierem toreb z drucianym elementem.
 - Nie używać naczyń melaminowych, ponieważ materiał ten wchłania energię mikrofalową. Może to spowodować pęknięcie i zwęglanie naczyń, co spowalnia tempo gotowania.
 - Nie używać naczyń Centura. Powłoka nie jest odpowiednia do mikrofal. Nie używać kubków Corelle Livingware.
 - Nie gotować w pojemnikach z ograniczoną możliwością otwierania, takich jak butelki po napojach czy trwale zamknięte butelki oleju. Po podgrzaniu te pojemniki mogą eksplodować.
 - Nie używać tradycyjnych termometrów do mięsa i pieczenia.
 - Istnieją termometry przeznaczone do użytku w kuchenkach mikrofalowych. Można używać tych termometrów.
9. Akcesoria do mikrofal stosować zgodnie z zaleceniami ich producenta.
 10. Nie używać kuchenki do smażenia w głębokim tłuszczu.
 11. Należy pamiętać, że kuchenka mikrofalowa podgrzewa płyn w pojemniku, a nie sam pojemnik. Nawet jeśli w momencie wyjmowania z kuchenki

- pojemnik nie jest gorący w dotyku, należy pamiętać, że po wyjęciu żywność/płyn w pojemniku będzie wydzielać tyle samo pary, co podczas tradycyjnego gotowania.
12. Należy zawsze osobiście sprawdzić temperaturę przygotowanej potrawy, szczególnie w przypadku podgrzewania lub gotowania żywności dla dzieci. Zaleca się, by nigdy nie spożywać potrawy/napoju bezpośrednio po wyjęciu z kuchenki. Należy pozostawić naczynie na kilka minut i wymieszać potrawę/napój, by równomiernie rozprrowadzić ciepło.
 13. Jedzenie zawierające mieszankę tłuszczu i wody, np. rosół, należy pozostawić w kuchence na 30-60 sekund po zakończeniu gotowania. Dzięki temu mieszanka osiądzie, co zapobiegnie bulgotaniu po włożeniu łyżki lub dodaniu kostki rosołowej.
 14. Podczas przygotowywania/gotowania jedzenia/płynów należy pamiętać, że niektóre potrawy, np. puddingi, dzemy czy mięso mielone, ogrzewają się bardzo szybko. Żywności z wysoką zawartością tłuszczu lub cukrów nie podgrzewać/gotować w plastikowych pojemnikach.
 15. Akcesoria kuchenne mogą być gorące - przenika nań ciepło z podgrzewanego jedzenia. Dotyczy to szczególnie sytuacji, gdy rączki akcesoriów kuchennych pokryte są plastikiem. Może być konieczne użycie rękawic kuchennych.
 16. Aby zmniejszyć ryzyko zapłonu wewnątrz komory kuchenki:
 - a) Nie gotować jedzenia zbyt długo. Nadzorować pracę mikrofal, gdy umieszczono w niej przedmioty z papieru, plastiku lub innej substancji palnej.
 - b) Usunąć druciane opaski z toreb przed włożeniem ich do kuchenki.
 - c) Jeżeli dojdzie do zapłonu, nie otwierać drzwiczek kuchenki, wyciągnąć wtyczkę z gniazdka lub wyłączyć bezpieczniki.

PANEL STEROWANIA



WYŚWIETLACZ

Wyświetla godzinę, czas gotowania i ustawienia.

ROZMRAŻANIE

Rozmrażanie żywności wg czasu lub wagi.

MIKROW.

Wybór poziomu mocy.

CLOCK

Przytrzymać przez 3 sekundy, by ustawić zegar.

TIMER

Ustawienie funkcji timera.

IKONY

Ustawienie czasu i wagi potrawy oraz wybór programów auto.

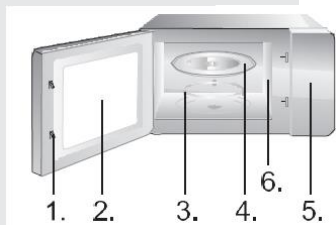
STOP/CANCEL

Zatrzymanie lub anulowanie ustawienia.

Przytrzymać 3 sekundy, by włączyć kontrolę rodzicielską

START/+30 SEC

Szybkie włączanie na 30 sekund, wydłużanie gotowania o 30 sekund (każde wciśnięcie) lub potwierdzenie parametrów gotowania.



1. System blokady drzwiczek
2. Okno kuchenki
3. Wspornik rolkowy
4. Szklana taca
5. Panel sterowania
6. Falowód (nie usuwać płytki mikrowej pokrywającej falowód)

Dostępne jest dziesięć poziomów mocy mikrofali 100P, 90P, 80P, 70P, 60P, 50P, 40P, 30P, 20P i 10P. Obrócić dolne pokrętko, aby skrócić lub wydłużyć czas gotowania. Zakres czasu do wyboru to od 0:10 do 60:00. Po wybraniu czasu nacisnąć przycisk „START/+30s”, aby rozpocząć gotowanie. Brzęczący dźwięk informuje o zakończeniu operacji.

HIGH	100% i 90% mocy	(Do szybkiego i całościowego gotowania)
M.High	80% i 70% mocy	(do gotowania z średnią szybkością)
Med	60% i 50% mocy	(do gotowania na parze)
M.Low	40% i 30% mocy	(do rozmrażania)
LOW	20% i 10% mocy	(do podtrzymywania ciepła)

 **CAUTION**

- a. Maksymalny czas, który można ustawić to 60 minut.
- b. Nigdy nie włączać pustej mikrofalówki.
- c. Przy maksymalnej mocy mikrofal kuchenka automatycznie obniży moc po pewnym czasie, aby wydłużyć żywotność.
- d. Jeżeli obracasz jedzenie podczas gotowania, naciśnij przycisk **START/ +30s**, a ustawiony wcześniej tryb gotowania będzie kontynuowany.

- e. Aby wyjąć potrawę przed ustawionym czasem, należy nacisnąć przycisk **STOP/CANCEL** jeden raz, aby wymazać ustawioną procedurę i uniknąć niezamierzonego użycia tejże przy następnym użyciu.

Dostępne są dwa tryby rozmrażania: dEF1 i dEF2, oznaczające odpowiednio: dEF1 rozmrażanie wg wagi i dEF2 rozmrażanie wg czasu. Nacisnąć ten przycisk, aby wybrać rozmrażanie wg wagi lub czasu. Na wyświetlaczu pojawi się „dEF1” lub „dEF2”. Użyć pokrętki, by wybrać wagę żywności lub czas rozmrażania. Zakres wagowy dla dEF1 wynosi od 100g do 1500g, a maksymalny czas dla dEF2 to 60:00. Po wybraniu wagi lub czasu rozmrażania nacisnąć przycisk „START/+30s”, aby rozpocząć rozmrażanie. Brzęczący dźwięk informuje o zakończeniu operacji. Tryb rozmrażania dEF1 według wagi będzie emitował sygnał dźwiękowy, aby przypomnieć o konieczności obrócenia jedzenia podczas rozmrażania.

Poniżej zamieszczamy kilka wskazówek dot. rozmrażania:

dEF1	Zakres wagowy dla rozmrażania to od 100 g do 1500 g.
dEF2	Maksymalny czas dla rozmrażania to 60:00.

CAUTION

- a. Aby uzyskać równomierny efekt, konieczne jest obracanie żywności podczas gotowania.
- b. Zwykle rozmrażanie zajmuje więcej czasu niż gotowanie.
- c. Jeśli żywność można pokroić nożem, proces rozmrażania można uznać za zakończony.
- d. Mikrofałe wnikają do większości potraw na około 4 cm.
- e. Rozmrożoną żywność należy spożyć jak najszybciej, nie zaleca się wkładania jej z powrotem do lodówki i ponownego zamrażania.

CLOCK (zegar 24-godzinny)

W trybie gotowości nacisnąć i przytrzymać przycisk „DEFROST/CLOCK” przez ponad 3 sekundy, aby przejść do trybu ustawień zegara. Na wyświetlaczu migają pola godzin. Ustawić godzinę, obracając pokrętło. Po ustawieniu godziny nacisnąć krótko przycisk „START/+30s”, aby przejść do trybu ustawiania minut.

Ustawić minuty, obracając pokrętło. Po ustawieniu minut ponownie nacisnąć przycisk „START/+30s”, aby wyjść z trybu ustawień.

AUTO GOTOWANIE

Urządzenie oferuje 8 menu automatycznego gotowania A.1~A.8, Ziemniaki, Makarony, Pizza, Popcorn, Warzywa, Napoje, Mięso i Ryby. Naciskać przycisk „Menu” w sposób ciągły, aby wybrać żądane menu, a następnie obrócić pokrętkę, aby wybrać wagę. Po wybraniu wagi nacisnąć przycisk „START/+30s”, aby rozpocząć gotowanie. Brzęczący dźwięk informuje o zakończeniu operacji.

Wyświetlacz	Rodzaj	Metoda
A.1	Ziemniaki	Opcje wagi to 250 g, 500 g i 750 g.
A.2	Makarony	Opcje wagi to 50 g, 100 g i 150 g.
A.3	Pizza	Opcje wagi to 200 g i 400 g.
A.4	Popcorn	Opcja wagi to 100 g.
A.5	Warzywa	Opcje wagi to 200 g, 400 g i 600 g.
A.6	Napoje	Opcje wagi to 1 szklanka, 2 szklanki lub 3 szklanki, każda po około 250 ml.
A.7	Mięso	Opcje wagi to 200 g, 400 g i 600 g.
A.8	Ryby	Opcje wagi to 200 g, 400 g i 600 g.

CAUTION

a. Temperatura żywności przed gotowaniem powinna wynosić 20-25 °C. Wyższa lub niższa temperatura żywności przed gotowaniem wymagałaby wydłużenia lub skrócenia czasu gotowania.

b. Temperatura, waga i forma żywności mają duży wpływ na efekt gotowania. W przypadku stwierdzenia jakichkolwiek odchyłeń od charakterystyk podanych w powyższym menu, można dostosować czas gotowania w celu uzyskania najlepszych rezultatów.

TIMER

W trybie czuwania nacisnąć ten przycisk, aby wejść do interfejsu ustawień, a ikona funkcji odliczania i „0:00” zostaną wyświetlone na ekranie wyświetlacza.

Obrócić pokrętkę, by wybrać czas gotowania.

Maksymalny czas, jaki można ustawić, to 60:00. Po wybraniu czasu nacisnąć przycisk „START/+30s”, aby rozpocząć odliczanie. Brzęczący dźwięk informuje o zakończeniu odliczania.

**PODGRZEWANIE/
ECO
PODGRZEWANIE**

Funkcja podgrzewania ma głównie na celu ułatwienie użytkownikom podgrzewania żywności w zależności od wagi żywności. Obrócić pokrętko, aby wybrać odpowiednią wagę żywności, opcje wagi to 200 g, 400 g, 600 g, 800 g i 1000 g. Po wybraniu wagi nacisnąć przycisk „START/+30s”, aby rozpocząć pracę. Brzęczący dźwięk informuje o zakończeniu operacji.

ECO

W trybie czuwania nacisnąć i przytrzymać przycisk Podgrzewanie przez 3 sekundy, aby włączyć funkcję ECO. Wyświetlacz wyłączy się. Gdy tryb ECO jest włączony, nacisnąć dowolny przycisk, aby wyłączyć funkcję ECO.

STOP

W trakcie wyboru ustawień nacisnąć przycisk „STOP”, by anulować ustawienia i powrócić do trybu gotowości. W trakcie gotowania można nacisnąć przycisk „STOP”, by zatrzymać gotowanie. W trybie gotowości można ponownie nacisnąć przycisk „STOP”, by anulować wybór funkcji i powrócić do trybu gotowości.

START/+30s

Po wybraniu czasu gotowania lub wagi potrawy nacisnąć przycisk „START/+30s”, aby natychmiast rozpocząć gotowanie. W trybie pracy można nacisnąć przycisk „START/+30s”, aby wydłużyć czas, nacisnąć raz, aby wydłużyć o 30 sekund. Nie można wydłużać czasu w trybie menu automatycznego i rozmrażania wg wagi. W trakcie pauzy można nacisnąć przycisk „START/+30s”, by kontynuować gotowanie mikrofalowe przed trybem gotowania.

EXPRESS

W trybie czuwania, po włożeniu potrawy i zamknięciu drzwi, nacisnąć przycisk „START/+30s”, aby szybko uruchomić mikrofalę. Domyślny czas pracy to 30 sekund. W trakcie pracy nacisnąć i przytrzymać przycisk „START/+30s” przez 30 sekund. Brzęczący dźwięk informuje o zakończeniu operacji.

KONTROLA RODZICIELSKA

Użyć tej funkcji, aby zablokować panel sterowania podczas czyszczenia lub aby dzieci nie mogły korzystać z kuchenki bez nadzoru. W tym trybie wszystkie przyciski nie działają.

1) Włączenie blokady: W trybie gotowości przytrzymać przycisk „STOP” przez ponad 3 sekundy, funkcja blokady przed dziećmi zostaje aktywowana, a wszystkie przyciski kuchenki mikrofalowej nie działają.

2) Wyłączenie blokady: W trybie kontroli rodzicielskiej przytrzymać przycisk „STOP” przez ponad 3 sekundy, by zdezaktywować blokadę.

Zaleca się używanie pojemników odpowiednich i bezpiecznych do gotowania w kuchence mikrofalowej. Ogólnie rzecz biorąc, naczynia wykonane z żaroodpornej ceramiki, szkła lub tworzywa sztucznego nadają się do gotowania w kuchence mikrofalowej. Do gotowania w mikrofalach i gotowania kombinowanego nie należy używać metalowych pojemników, ponieważ istnieje prawdopodobieństwo iskrzenia. Można skorzystać z poniższej tabeli.

Materiał pojemnika	Mikrofala	Uwagi
Ceramika żaroodporna	Tak	Nie używać ceramiki zdobionej metalowym obrzeżem lub szklwionej.
Tworzywo sztuczne żaroodporne	Tak	Nie używać do długiego gotowania w kuchence mikrofalowej
Szko żaroodporne	Tak	
Ruszt grillowy	Nie	Ruszt grillowy może być używany tylko w trybie grillowania i trybie kombinowanym.
Folia z tworzywa sztucznego	Tak	Nie używać folii do pieczenia mięsa lub kotletów, gdyż nadmierna temperatura może uszkodzić folię

Następujące czynniki mogą wpływać na efekt gotowania.

Ułożenie żywności

Ułożyć grubsze kawałki bliżej krawędzi naczynia, cieńsze kawałki bliżej środka i równomiernie rozłożyć. Jeżeli to możliwe, nie układać żywności jedna na drugiej.

Czas gotowania

Rozpocząć gotowanie z ustawionym krótkim czasem, dokonać oceny efektów po upływie czasu i wydłużyć czas zgodnie z rzeczywistymi potrzebami. Zbyt długie gotowanie może doprowadzić do powstawania dymu i oparzeń.

Równomierne gotowanie

Potrawy, takie jak kurczak, hamburger lub stek, należy jednorazowo odwrócić podczas gotowania.

W zależności od rodzaju żywności (i jeżeli jest to możliwe), raz lub dwa razy podczas gotowania przemieszać potrawę w kierunku od zewnątrz do środka naczynia.

Nie wyjmuj od razu

Po upływie czasu gotowania należy pozostawić żywność w kuchence na odpowiedni czas, co pozwoli na dokończenie cyklu gotowania i stopniowe schładzanie.

Czy potrawa jest gotowa

Kolor i twardość żywności pomagają określić, czy potrawa jest gotowa. Mowa o:

- Para wydobywająca się ze wszystkich części jedzenia, nie tylko z krawędzi
- Kawałki drobiu można łatwo poruszyć
- Brak śladów krwi na wieprzowinie czy drobiu
- Ryba jest nieprzezroczysta i można ją łatwo pokroić widelcem

Naczynie do przyrumieniania

W przypadku korzystania z naczynia do przyrumieniania lub pojemnika samonagrzewającego się należy zawsze umieszczać pod nim żaroodporny izolator, np. porcelanowy talerz, aby zapobiec uszkodzeniu talerza obrotowego i pierścienia obrotowego.

Torba plastikowa do użytku w mikrofalach

Podczas gotowania żywności o dużej zawartości tłuszczu nie należy dopuścić do kontaktu plastikowego opakowania z żywnością, ponieważ może się ono stopić.

Naczynia plastikowe do użytku w mikrofalach

Niektóre plastikowe naczynia do gotowania w kuchence mikrofalowej mogą nie nadawać się do gotowania potraw o wysokiej zawartości tłuszczu i cukru. Nie wolno również przekraczać czasu nagrzewania podanego w instrukcji obsługi naczynia.

KONSERWACJA

SERWISOWANIE

Wypróbuj poniższe porady, zanim zadzwonisz do serwisu.

1. Nalać jedną szklanekę wody (ok. 150 ml) do szklanej miarki w kuchence i dokładnie zamknij drzwiczki. Jeżeli drzwiczki są prawidłowo zamknięte, lampka kuchenki powinna zgasnąć. Pozwolić kuchence na pracę przez ok. 1 minutę.
2. Czy lampka kuchenki świeci?
3. Czy wentylator chłodzący działa?
(Sprawdzić, umieszczając rękę nad otworami wentylacyjnymi.)
4. Czy talerz obrotowy się obraca?

(Talerz obrotowy może się obracać w kierunku zgodnym lub przeciwnym ruchowi wskazówek zegara. To normalne.)

5. Czy woda w kuchence jest gorąca?

Jeżeli odpowiedź na którekolwiek z powyższych pytań brzmi „NIE”, należy

sprawdzić gniazdko ścienne i bezpiecznik. Jeśli zarówno gniazdko ścienne, jak i bezpiecznik działają prawidłowo, **NALEŻY SKONTAKTOWAĆ SIĘ Z NAJBLIŻSZYM AUTORYZOWANYM CENTRUM SERWISOWYM.**

UWAGI DOT. SERWISOWANIA

Uwaga: PROMIENIOWANIE MIKROFALOWE

1. Kondensator wysokiego napięcia pozostaje naładowany po odłączeniu; zewrzyj ujemny zacisk kondensatora H. V z obudową kuchenki (użyj śrubokrętu), aby rozładować przed dotknięciem.

2. Podczas serwisowania wymienione poniżej części mogą zostać usunięte, co umożliwi dostęp do potencjałów powyżej 250 V do ziemi.

- Magnetron
- Transformator wysokiego napięcia
- Kondensator wysokiego napięcia
- Dioda wysokiego napięcia
- Bezpiecznik wysokiego napięcia

3. Następujące warunki mogą powodować nadmierne narażenie na działanie mikrofal podczas serwisowania.

- Niewłaściwe dopasowanie magnetronu;
- Niewłaściwe dopasowanie blokady drzwi, zawiasu drzwi i samych drzwi;
- Niewłaściwe dopasowanie wspornika przełącznika;
- Uszkodzone drzwi, uszczelka drzwi lub obudowa.

SPECYFIKACJE

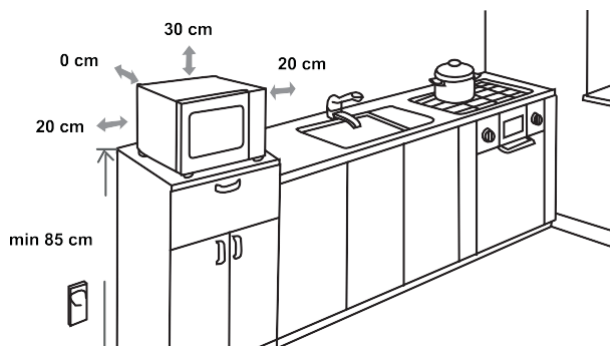
Pobór energii.....	220-240 V ~50 Hz, 1280 W
Moc wyjściowa.....	800 W
Częstotliwość robocza.....	2450 MHz
Wymiary zewnętrzne.....	480 x 295 x 352 mm
Pojemność kuchenki.....	23 litrów
Waga bez opakowania.....	ok. 11.7 kg
Poziom hałasu.....	Lc ≤ 61 dB (A)



To urządzenie zostało oznaczone zgodnie z Dyrektywą Parlamentu Europejskiego 2012/19/UE w sprawie zużytego sprzętu elektrycznego i elektronicznego.

Niniejsze wytyczne stanowią ramy obowiązujących w całej Europie zasad zwrotów i recyklingu zużytego sprzętu elektrycznego i elektronicznego.

WYMIARY MONTAŻOWE



ZAKŁÓCENIA RADIOWE

Kuchenka mikrofalowa może zakłócać pracę radia, TV i innych podobnych urządzeń. Zakłócenia można wyeliminować stosując się do następujących zaleceń.

- a) Wyczyścić drzwiczki i powierzchnię uszczelek.
- b) Umieścić radio, TV itp. urządzenia jak najdalej od kuchenki mikrofalowej.
- c) By uzyskać mocny sygnał, używać anteny radiowej, TV itp.

**ZASTRZEGAMY SOBIE PRAWO DO
WPROWADZANIA ZMIAN NIE WPŁYWAJĄCYCH
NA FUNKCJONALNOŚĆ URZĄDZENIA.**

Hisense

CARO CLIENTE

O nosso sincero obrigado pela sua compra. Acreditamos que em breve encontrará abundantes provas de que pode realmente confiar nos nossos produtos. Para facilitar o uso do aparelho, anexamos este manual de instruções completo.

As instruções deverão ajudar no processo de se familiarizar com o seu novo aparelho. Por favor, leia-as atentamente antes de utilizar o aparelho pela primeira vez.

Em qualquer caso, certifique-se de que o aparelho lhe foi entregue sem danos. Caso identifique algum dano de transporte, entre em contacto com o seu representante comercial ou com o armazém regional de onde o produto foi entregue. Encontrará o número de telefone no recibo ou na guia de entrega.

Desejamos que usufrua muito do seu novo eletrodoméstico.



O aparelho destina-se apenas a uma utilização doméstica e interna, para o aquecimento de alimentos e bebidas através de energia eletromagnética.

INSTRUÇÕES DE UTILIZAÇÃO

Estas instruções destinam-se ao utilizador. Descrevem o forno e como utilizá-lo. Além disso, aplicam-se a diferentes tipos de aparelhos; portanto, pode encontrar algumas descrições de funções que podem não corresponder ao seu aparelho.

Reservamo-nos o direito de proceder a qualquer modificação ou correção do presente manual sem aviso prévio, pedimos desculpas para o incómodo.

INSTRUÇÕES DE SEGURANÇA IMPORTANTES



Nunca toque em superfícies de aparelhos de aquecimento ou de cocção. Estas ficam quentes durante a operação. Mantenha as crianças a uma distância segura. Existe risco de queimadura!



Energia de micro-ondas e alta tensão! Não remova a cobertura.

ATENÇÃO! O aparelho e as peças acessíveis aquecem durante a utilização. É necessário ter cuidado para evitar tocar nos elementos de aquecimento. As crianças com menos de 8 anos de idade devem ser mantidas afastadas, a menos que sejam supervisionadas continuamente. As crianças devem supervisionadas para assegurar que não brincam com o eletrodoméstico.

Este aparelho pode ser utilizado por crianças com idades a partir dos 8 anos e pessoas com capacidades físicas, sensoriais ou mentais reduzidas ou com falta de conhecimento e experiência se forem alvo de supervisão ou instrução relativamente à utilização do aparelho de forma segura e se compreenderem os perigos envolvidos. As crianças não devem brincar com o eletrodoméstico. A limpeza e manutenção não devem ser feitas por crianças a não ser que tenham mais de 8 anos e com a supervisão de um adulto.

Mantenha o aparelho e o cabo fora do alcance das crianças com menos de 8 anos.

- **AVISO:** quando o eletrodoméstico está a funcionar no modo combinado, as crianças só devem utilizar o forno sob a supervisão de adultos, devido às elevadas temperaturas que se geram; (apenas para o modelo com função de grelha)

- **AVISO:** se a porta ou a vedação da porta estiverem danificadas, o forno não pode ser utilizado até ter sido reparado por uma pessoa competente;
- **AVISO:** é perigosa para qualquer pessoa sem formação competente, toda e qualquer reparação ou intervenção que implique a remoção da cobertura que protege contra a exposição à energia de micro-ondas;
- **AVISO:** nunca aqueça líquidos ou outros alimentos em recipientes selados, pois se o fizer, os referidos recipientes poderão explodir.
- As crianças devem supervisionadas para assegurar que não brincam com o eletrodoméstico.
- Não retire os pés do forno; não bloqueie as aberturas de ventilação do forno.
- Utilize exclusivamente utensílios que sejam adequados à utilização em micro-ondas.
- Ao aquecer alimentos em recipientes plásticos ou de papel, vigie o forno devido à possibilidade de ignição;
- Se notar fumo, desligue o aparelho, retire a ficha do respectivo cabo de alimentação da tomada e mantenha a porta do forno fechada, a fim de abafar eventuais chamas;
- O aquecimento de bebidas por micro-ondas pode resultar em ebulição retardada, portanto, deve-se ter cuidado ao manusear o recipiente;
- Agite ou mexa sempre o conteúdo dos biberões ou dos frasquinhos de comida para bebés e verifique sempre a temperatura antes do seu consumo, para evitar queimaduras;

- Nunca cozinhe ovos com casca nem aqueça ovos cozidos inteiros no forno micro-ondas, pois corre o risco de eles explodirem, mesmo depois de o forno se desligar;
- Quando limpar as superfícies da porta, das vedações da porta, ou o interior do forno, use apenas detergentes suaves, não abrasivos, aplicados com uma esponja ou um pano macio.
- O forno deve ser limpo regularmente e quaisquer resíduos de alimentos devem ser removidos;
- Não manter o forno limpo pode resultar em deterioração da superfície, o que afeta negativamente a vida útil do aparelho e possivelmente resultar em situações de perigo;
- Para evitar situações de perigo, um cabo de alimentação que esteja danificado deve ser substituído pelo fabricante, centros de assistência técnica ou técnicos com qualificações semelhantes.
- Não deixe o cabo pendurado no rebordo da mesa ou bancada.
- Nunca ligue este aparelho a um temporizador externo ou sistema de controlo remoto para evitar uma situação perigosa.
- Nunca substitua a lâmpada dentro do forno. Deve ser sempre substituída pelo serviço Hisense.
- Não limpe o aparelho com limpadores a vapor, limpadores de alta pressão, objetos pontiagudos, produtos de limpeza abrasivos, esponjas abrasivas e removedores de manchas.

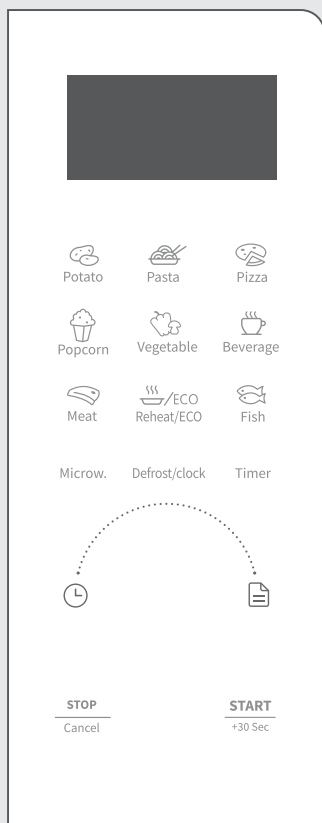
INSTRUÇÕES DE SEGURANÇA PARA A UTILIZAÇÃO GERAL

Enumeradas abaixo estão, tal como para todos os eletrodomésticos, determinadas regras a seguir e algumas advertências, para assegurar o melhor desempenho possível deste forno:

1. Quando utilizar o forno, certifique-se sempre de que o prato rotativo, os braços de rotação, o acoplamento e o rolete estão devidamente instalados.
2. Não utilize o forno por qualquer motivo que não seja a preparação de alimentos, como para secar roupas, papel ou quaisquer outros artigos não alimentares, ou para fins de esterilização.
3. Não utilize o forno quando este estiver vazio. Se o fizer, pode danificar o forno.
4. Não utilize o interior do forno para guardar quaisquer objetos, como papéis, livros de cozinha, etc.
5. Não cozinhe qualquer alimento envolvido por uma membrana, como gemas de ovos, batatas, fígados de frango, etc., sem primeiro ser perfurado várias vezes com um garfo.
6. Não introduza qualquer objeto nas aberturas da cobertura exterior.
7. Não remova em momento algum peças do forno, como pés, fixações, parafusos, etc.
8. Não cozinhe alimentos diretamente no prato rotativo. Coloque os alimentos em recipientes próprios para cozinhar, antes de os colocar no forno. **IMPORTANTE – LOUÇA QUE NÃO DEVE UTILIZAR NO SEU FORNO MICRO-ONDAS:**
 - Não utilize recipientes de metal ou recipientes com peças de metal.
 - Não use qualquer instrumento com rebordos metálicos.
 - Não utilize atilhos de fio metálico revestidos de papel em sacos de plástico.
 - Não utilize pratos de melamina, pois contêm um material que absorve a energia do micro-ondas. Isso pode fazer com que a louça rache ou queime e retardará o processo de cozedura.
 - Não utilize louça da marca Centura. O esmalte não é adequado para uso em micro-ondas. As chávenas de asa fechada Corelle Livingware não devem ser utilizadas.
 - Não cozinhe num recipiente com abertura reduzida, como uma garrafa de refrigerante ou garrafa de óleo fechada, pois esses recipientes podem explodir se forem aquecidos num forno micro-ondas.
 - Não utilize termómetros convencionais para carnes ou doçaria.
 - Existem termómetros disponíveis especificamente para cozinhar em micro-ondas. São esses que devem ser utilizados.
9. Os utensílios de micro-ondas devem ser usados apenas de acordo com as instruções do fabricante.
10. Não tente fritar alimentos neste forno.
11. Lembre-se de que um forno micro-ondas aquece apenas o líquido num recipiente e não o próprio recipiente. Portanto, mesmo que a tampa de um recipiente não esteja

- a queimar quando é removida do forno, lembre-se de que o alimento/líquido dentro estará a libertar tanto vapor e/ou salpicos quando a tampa é retirada como na cozedura convencional.
12. Teste sempre a temperatura dos alimentos cozidos, especialmente se estiver a aquecer ou a cozinhar alimentos/líquidos para bebés. É aconselhável nunca consumir alimentos/líquidos diretamente do forno, mas deixar repousar alguns minutos e mexer os alimentos/líquidos para distribuir o calor uniformemente.
 13. Alimentos que contenham uma mistura de gordura e água como, por exemplo, caldo, devem permanecer por 30 a 60 segundos no forno depois de ter sido desligado. A ideia é permitir que a mistura assente e evitar a fervura quando uma colher é colocada no alimento/líquido ou um cubo de caldo é adicionado.
 14. Ao preparar/cozinhar alimentos/líquidos, lembre-se de que certos alimentos como, por exemplo, pudins de Natal, compotas e carne picada, aquecem muito rapidamente. Ao aquecer ou cozinhar alimentos com alto teor de gordura ou açúcar, não utilize recipientes de plástico.
 15. O recipiente de cozedura pode ficar quente devido ao calor transferido dos alimentos aquecidos. Será particularmente verdade se a parte superior e as asas do utensílio estiverem cobertas por película aderente. Podem ser necessárias pegas para manusear o utensílio.
 16. Para reduzir o risco de incêndio no interior do forno:
 - a) Não cozinhe demasiado os alimentos. Esteja atento ao forno micro-ondas caso tenha colocado dentro do forno papel, plástico ou outros materiais combustíveis para facilitar a cozedura.
 - b) Remova os atilhos de metal dos sacos antes de colocar o saco no forno.
 - c) Se os materiais dentro do forno entrarem em ignição, mantenha a porta do forno fechada, desligue o forno no interruptor de parede ou desligue a corrente no painel de fusíveis ou no disjuntor.

FUNCIONAMENTO DO PAINEL DE CONTROLO



VISOR

Mostra o relógio, o tempo de cozedura e a configuração.

DESCONGELAR

Utilize esta tecla para descongelar os alimentos por tempo e peso

MICROW.

Utilize esta tecla para seleccionar o nível de potência do micro-ondas.

RELÓGIO

Carregue nesta tecla durante 3 segundos para configurar o relógio.

TEMPORIZADOR

Utilize esta tecla para definir a função do temporizador.

ÍCONES

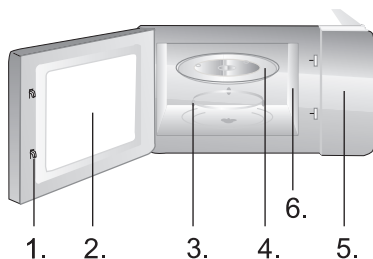
Utilize estas teclas para configurar o tempo e o peso dos alimentos e para escolher os programas do menu automático.

STOP/CANCEL (PARAR/CANCELAR)

Use esta tecla para parar ou cancelar a configuração.

Carregue durante 3 segundos para o bloqueio infantil START/+30s (INICIAR/+30s)

Utilize esta tecla para iniciar a cozedura rápida por 30 segundos, para aumentar o tempo de cozedura em 30 segundos (de cada vez que é premida) ou para confirmar as configurações de cozedura.



1. Sistema de segurança do fecho da porta
2. Janela do forno
3. Aro rotativo
4. Prato rotativo
5. Painel de controlo
6. Guia de ondas (não remova a placa de mica que cobre o guia de ondas)

FUNÇÃO DE MICRO-ONDAS

Existem 10 níveis de potência de micro-ondas, 100P, 90P, 80P, 70P, 60P, 50P, 40P, 30P, 20P e 10P, respetivamente. Gire o botão abaixo para aumentar ou diminuir o tempo de cozimento; o intervalo de tempo pode ser selecionado de 0:10 a 60:00. Depois de selecionar a hora, prima o botão “START/+30s” (INICIAR/+30s) para iniciar o funcionamento. Um aviso sonoro notifica a conclusão da operação.

ALTA	100% e 90% de potência debitada	(Aplicável para cozimento rápido e completo)
M.Alta	80% e 70% de potência debitada	(Aplicável para cozimento expresso médio)
Méd	60% e 50% de potência debitada	(Aplicável para cozinhar alimentos a vapor)
M.Baixa	40% e 30% de potência debitada	(Aplicável para descongelar alimentos)
BAIXA	20% e 10% de potência debitada	(Aplicável para manter quente)

CUIDADO

- a. O tempo máximo que pode ser definido é de 60 minutos.
- b. Nunca utilize o forno vazio.
- c. Na potência máxima de micro-ondas, o forno reduz automaticamente a potência após um certo tempo de cozedura para prolongar a vida útil.
- d. Se girar os alimentos durante a operação, prima o botão **START/+30s** (INICIAR/+30s)

uma vez e o procedimento de cozedura predefinido continuará.

- e. Caso pretenda remover os alimentos antes do tempo predefinido, deverá premir o botão **STOP/CANCEL** (PARAR/CANCELAR) uma vez para limpar o procedimento predefinido, com vista a evitar o funcionamento não intencional na próxima utilização.

**DEFROST/CLOCK
DEFROST
(DESCONGELAR/
DESCONGELAR POR
TEMPO)**

Existem dois modos de descongelamento, dEF1 e dEF2, respetivamente. dEF1 para descongelar por peso e dEF2 para descongelar por tempo. Prima este botão para selecionar descongelar por peso ou por tempo, e o visor mostrará "dEF1" ou "dEF2". Gire o botão para selecionar o peso do alimento ou o tempo de descongelamento. O intervalo de peso de dEF1 é de 100 a 1500 g, e o tempo máximo de dEF2 é de 60:00. Depois de selecionar o peso ou o tempo de descongelamento, prima o botão "START/+30s" (INICIAR/+30s) para iniciar o funcionamento. Um aviso sonoro notifica a conclusão da operação. O modo de descongelamento dEF1 por peso terá um sinal sonoro para indicar que o alimento deve ser virado durante o descongelamento.

Abaixo estão alguns conselhos sobre o tempo de descongelamento de alimentos:

dEF1	Para descongelamento, o intervalo de peso é entre 100 g a 1500 g.
dEF2	Para descongelamento, o tempo máximo é de 60:00.



CUIDADO

- a. É necessário virar o alimento durante a operação para obter um efeito uniforme.
- b. Normalmente, o descongelamento demorará mais tempo do que a cozedura dos alimentos.
- c. Se for possível cortar o alimento com uma faca, o processo de descongelamento pode ser considerado concluído.
- d. As micro-ondas penetram cerca de 4 cm na maioria dos alimentos
- e. Os alimentos descongelados devem ser consumidos assim que possível, não é aconselhável voltar a colocar no frigorífico e congelar novamente.

RELÓGIO

(Formato de 24 horas)

No modo de espera, prima continuamente o botão “DEFROST/CLOCK” (DESCONGELAR/RELÓGIO) durante mais de 3 segundos para entrar na interface de configuração do relógio. Ao mesmo tempo, o visor pisca em horas. A hora pode ser definida ao girar o botão. Depois de definir a hora, prima brevemente o botão “START/+30s” (INICIAR/+30s) para mudar para o modo de configuração de minutos.

É possível definir os minutos girando o botão. Após definir os minutos, prima novamente o botão “START/+30s” (INICIAR/+30s) para sair do modo de configuração.

COZEDURA AUTOMÁTICA

Há oito menus automáticos A.1~A.8, Batata, Massa, Pizza, Pipocas, Legume, Bebida, Carne e Peixe, respetivamente. Prima continuamente o botão “Menu” para selecionar o menu desejado e, em seguida, gire o botão para selecionar o peso do menu. Depois de selecionar o peso de cozedura, prima o botão “START/+30s” (INICIAR/+30s) para iniciar o funcionamento. Um aviso sonoro notifica a conclusão da operação.

Visor	Tipo	Método
A.1	Batata	As opções de peso são 250 g, 500 g e 750 g
A.2	Massa	As opções de peso são 50 g, 100 g e 150 g
A.3	Pizza	As opções de peso são 200 g e 400 g
A.4	Pipocas	A opção de peso é de 100 g
A.5	Legume	As opções de peso são 200 g, 400 g e 600 g
A.6	Bebida	As opções de peso são 1 xícara, 2 xícaras ou 3 xícaras, cada uma com cerca de 250 ml.
A.7.	Carne	As opções de peso são 200 g, 400 g e 600 g
A. 8	Peixe	As opções de peso são 200 g, 400 g e 600 g



CUIDADO

- a. A temperatura dos alimentos antes de cozinhar seria de 20-25 °C. A temperatura mais alta ou mais baixa dos alimentos antes de cozinhar exigiria o aumento ou diminuição do tempo de cozedura.
- b. A temperatura, o peso e a forma dos alimentos influenciarão em grande medida o efeito da cozedura. Em caso de qualquer desvio relativamente ao fator indicado no menu acima, pode ajustar o tempo de cozedura para obter o melhor resultado.

TEMPORIZADOR

No modo de espera, prima este botão para entrar na interface de configuração e o ícone da função de contagem regressiva e “0:00” serão exibidos no ecrã. Gire o botão para definir a hora; o tempo máximo que pode ser inserido é 60:00. Após definir a hora, prima o botão “START/+30s” (INICIAR/+30s) para iniciar o modo de contagem regressiva. Um aviso sonoro notifica a conclusão da contagem regressiva.

REAQUECER / ECO
REAQUECIMENTO

A função de reaquecimento destina-se sobretudo a facilitar que os utilizadores aqueçam os alimentos de acordo com o respetivo peso. Gire o botão para selecionar o peso apropriado do alimento; as opções de peso são 200 g, 400 g, 600 g, 800 g e 1000 g. Depois de selecionar o peso, prima o botão “START/+30s” (INICIAR/+30s) para iniciar o funcionamento. Um aviso sonoro notifica a conclusão da operação.

ECO

No modo de espera, prima continuamente o botão Reheat (Reaquecer) durante 3 segundos para ativar a função ECO e o visor será desligado. Após ativar a função ECO, prima qualquer botão para a desativar.

STOP (PARAR)

No processo de configurações de cozedura, pode premir o botão “STOP” (PARAR) para cancelar as configurações e voltar ao estado de espera. No processo de funcionamento do forno micro-ondas, pode premir o botão “STOP” (PARAR) para colocar em pausa. No estado de espera, pode premir novamente o botão “STOP” (PARAR) para cancelar a função e voltar ao estado de espera.

**START/+30s
(INICIAR/+30s)**

Depois de definir o tempo de cozedura ou o peso do alimento, prima o botão “START/+30s” (INICIAR/+30s) para iniciar o funcionamento do forno micro-ondas imediatamente. No estado de funcionamento, pode premir o botão “START/+30s” (INICIAR/+30s) para aumentar o tempo: prima uma vez para aumentar 30 segundos, mas no modo de menu e no modo de descongelamento por peso não é possível ajustar o tempo. No estado de pausa, pode premir o botão “START/+30s” (INICIAR/+30s) para continuar com o forno micro-ondas antes do modo de cozedura.

EXPRESSO

No modo de espera, após colocar o alimento no interior e fechar a porta, prima o botão “START/+30s” (INICIAR/+30s) para iniciar rapidamente o micro-ondas. O tempo de funcionamento predefinido é de 30 segundos. No processo de funcionamento, prima o botão “START/+30s” (INICIAR/+30s) uma vez para 30 segundos. Um aviso sonoro notifica a conclusão da operação.

FUNÇÃO DE BLOQUEIO INFANTIL

Utilize este recurso para bloquear o painel de controlo quando estiver a limpar ou para que as crianças não possam utilizar o forno sem supervisão. Todos os botões ficam inoperativos neste modo.

1) Definir bloqueio: no modo de espera, prima o botão “STOP” (PARAR) durante mais de 3 segundos; a função de bloqueio infantil é ativada e todos os botões do forno micro-ondas não podem ser operados.

2) Cancelar bloqueio: no estado de bloqueio infantil, prima o botão “STOP” (PARAR) durante mais de 3 segundos para cancelar a função de bloqueio infantil.

ORIENTAÇÃO DE UTENSÍLIOS

É altamente recomendável usar os recipientes que são adequados e seguros para cozinhar no micro-ondas. Em geral, os recipientes que são feitos de cerâmica resistente ao calor, vidro ou plástico são adequados para cozinhar no micro-ondas. Nunca use recipientes de metal para cozinhar no micro-ondas e cozinhar em combinação, pois é provável que surjam faíscas. Pode usar a tabela abaixo como referência.

Material do recipiente	Micro-ondas	Notas
Cerâmica resistente ao calor	Sim	Nunca use cerâmicas decoradas com aro de metal ou esmaltadas
Plástico resistente ao calor	Sim	Não pode ser usado para cozinhar no micro-ondas por períodos prolongados
Vidro resistente ao calor	Sim	
Grelha	Não	
Película de plástico	Sim	Não deve ser usado ao cozinhar carne ou costeletas, pois a temperatura excessiva pode danificar a película

DICAS PARA COZINHAR

Os seguintes fatores podem afetar o resultado da cozedura:

Disposição dos alimentos

Coloque as áreas mais espessas mais perto da parte exterior do prato, a parte mais fina mais perto do centro e espalhe o alimento uniformemente. Não sobreponha alimentos, se possível.

Duração da cozedura

Comece a cozinhar com uma configuração de tempo curta, avalie o alimento após terminar e aumente o tempo de acordo com a necessidade real. A cozedura excessiva pode resultar em fumo e queimaduras.

Cozinhar alimentos uniformemente

Alimentos como frango, hambúrguer ou bife devem ser virados uma vez durante a cozedura. Dependendo do tipo de alimento, se aplicável, mexa-o da parte de fora para o centro do prato uma ou duas vezes durante a cozedura

Deixar repousar

Após o tempo de cozedura, deixe o alimento no forno por um período adequado; isso permite que conclua o seu ciclo de cozedura e esfrie gradualmente

Saber se os alimentos estão cozinhados

A cor e a dureza dos alimentos ajudam a determinar se estão cozinhados; isto inclui:

- Vapor a sair de todas as partes do alimento, e não apenas da borda
- As articulações das aves podem ser movidas facilmente
- A carne de porco ou de aves não mostra sinais de sangue
- O peixe está opaco e pode ser cortado facilmente com um garfo

Prato para dourar

Ao usar um prato para dourar ou recipiente de autoaquecimento, ponha sempre um elemento isolante resistente ao calor, como um prato de porcelana, sob o mesmo para evitar danos à plataforma giratória e ao anel rotativo.

Película de plástico segura para micro-ondas

Ao cozinhar alimentos com elevado teor de gordura, não permita que a película plástica entre em contacto com os alimentos, pois pode derreter.

Utensílios de plástico seguros para micro-ondas

Alguns utensílios de plástico seguros para micro-ondas podem não ser adequados para cozinhar alimentos com elevado teor de gordura e açúcar. Além disso, o tempo de pré-aquecimento especificado no manual de instruções do prato não deve ser excedido.

MANUTENÇÃO

ASSISTÊNCIA

Verifique o seguinte antes de solicitar uma assistência.

1. Coloque um copo de água (aprox. 150 ml) num medidor de vidro no forno e feche bem a porta. A lâmpada do forno deve apagar-se se a porta estiver devidamente fechada. Deixe o forno funcionar durante 1 min.
2. A lâmpada do forno acende?
3. A ventoinha de refrigeração funciona?
(Ponha a mão sobre as aberturas de ventilação traseiras.)
4. A plataforma giratória gira?

A plataforma giratória pode girar no sentido dos ponteiros do relógio ou no sentido inverso. Isso é absolutamente normal.)

5. A água dentro do forno está quente?

Se a resposta for “NÃO” a qualquer uma das perguntas acima, verifique a tomada e o fusível no contador.

Se a tomada e o fusível estiverem a funcionar corretamente, CONTACTE O CENTRO DE ASSISTÊNCIA APROVADO MAIS PRÓXIMO.

SALVAGUARDAS DE ASSISTÊNCIA

Cuidado: RADIAÇÃO DE MICRO-ONDAS

1. O condensador de alta tensão permanece carregado após a desconexão; provoque o curto-circuito do terminal negativo do condensador de alta tensão para o chassi do forno (use uma chave de fenda) para descarregar antes de tocar.

2. Durante a assistência, as peças listadas abaixo podem ser removidas e dar acesso a potenciais descargas acima de 250 V para aterramento.

- Magnetron
- Transformador de alta tensão
- Condensador de alta tensão
- Diodo de alta tensão
- Fusível de alta tensão

3. As seguintes condições podem causar exposição indevida a micro-ondas durante a assistência.

- Encaixe inadequado do magnetron;
- Correspondência inadequada do interlock da porta, dobradiça da porta e porta;
- Encaixe inadequado do suporte do interruptor;
- A porta, a vedação da porta ou invólucro foi danificado.

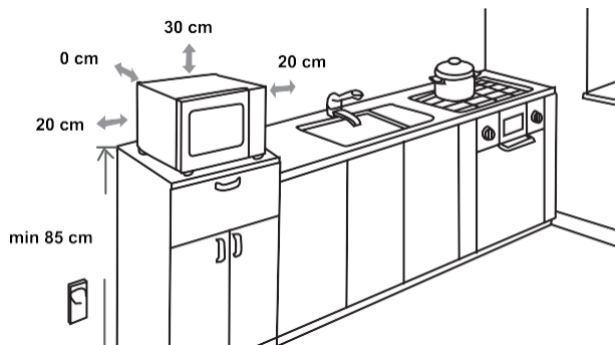
ESPECIFICAÇÕES

Consumo de energia	220-240 V ~50 Hz, 1280 W
Potência de saída	800 W
Frequência de operação.....	2450 MHz
Dimensões externas.....	480× 295 x 352 mm
Capacidade do forno	23 litros
Peso sem embalagem.....	Aprox. 11.7 kg
Nível de ruído	Lc ≤ 61 dB (A)



Este eletrodoméstico está marcado em conformidade com o disposto na diretiva comunitária 2012/19/UE relativa aos resíduos de equipamentos elétricos e eletrônicos (REEE). Esta diretiva é o enquadramento de uma validade em toda a Europa de devolução e reciclagem de Resíduos de Equipamentos Elétricos e Eletrônicos.

DIMENSÕES DE MONTAGEM



INTERFERÊNCIA RADIOELÉTRICA

O forno micro-ondas pode provocar interferências no seu rádio, no seu televisor ou em equipamentos similares. Quando ocorre interferência, esta pode ser eliminada ou reduzida pelos procedimentos seguintes.

- a) Limpe a porta e a superfície de vedação do forno.
- b) Coloque o rádio, a TV, etc., o mais afastados possível do forno micro-ondas.
- c) Utilize uma antena devidamente instalada para o seu rádio, TV, etc., para assegurar uma receção forte do sinal.

RESERVAMO-NOS O DIREITO DE FAZER QUAISQUER ALTERAÇÕES QUE NÃO AFETEM A FUNCIONALIDADE DO APARELHO.

Hisense

STIMATE CLIENT

Vă mulțumim sincer pentru achiziție. Credem că veți găsi în curând dovezi ample că vă puteți baza cu adevărat pe produsele noastre. Pentru a facilita utilizarea aparatului, atașăm acest manual de utilizare cuprinzător.

Instrucțiunile vă vor ajuta să vă familiarizați cu noul aparat. Vă rugăm să le citiți cu atenție înainte de a utiliza aparatul pentru prima dată.

În orice caz, asigurați-vă că aparatul v-a fost furnizat intact. În cazul în care identificați deteriorări la transport, contactați reprezentantul de vânzări sau depozitul regional de unde a fost livrat produsul. Veți găsi numărul de telefon pe chitanță sau pe procesul-verbal de livrare.

Vă dorim să vă bucurați de noul aparat electrocasnic.



Aparat de uz casnic pentru încălzirea alimentelor și a băuturilor cu ajutorul energiei electromagnetice, numai pentru uz interior.

INSTRUCȚIUNI DE
UTILIZARE

Aceste instrucțiuni se adresează utilizatorului. Acestea descriu dispozitivul și modul de utilizare. Acestea se aplică, de asemenea, diferitelor tipuri de aparate, prin urmare, puteți găsi unele descrieri ale funcțiilor care este posibil să nu se aplice aparatului dvs.

Ne rezervăm dreptul asupra oricăror modificări și erori în instrucțiunile de utilizare.



Nu atingeți niciodată suprafețele aparatelor de încălzire sau de gătit. Acestea se vor încălzi în timpul funcționării. Țineți copiii la o distanță sigură. Există riscul de arsuri!



Energia microundelor și înaltă tensiune! Nu scoateți capacul.

AVERTIZARE! Aparatul și piesele sale accesibile devin fierbinți în timpul utilizării. Trebuie să aveți grijă să evitați atingerea elementelor de încălzire. Copiii sub 8 ani trebuie ținuti la distanță dacă nu sunt supravegheați continuu. Copiii trebuie supravegheați pentru a vă asigura că nu se joacă cu aparatul.

Acest aparat poate fi utilizat de copii cu vârsta de peste 8 ani și de persoane cu capacități fizice, senzoriale sau mentale reduse sau lipsite de experiență și cunoștințe, dacă sunt supravegheate sau au fost instruite cu privire la utilizarea aparatului într-un mod sigur și înțeleg pericolele implicate. Nu permiteți copiilor să se joace cu aparatul. Curățarea și întreținerea nu trebuie efectuate de copii decât dacă au vârsta mai mare de 8 ani și sunt supravegheați.

Nu lăsați aparatul și cablul acestuia la îndemâna copiilor cu vârsta sub 8 ani.

- **ATENȚIONARE:** Atunci când aparatul este utilizat în modul combinat, copiii trebuie să utilizeze cuptorul numai sub supravegherea unui adult, din cauza temperaturilor generate; (Numai pentru modelul cu funcție grill)

- **ATENȚIONARE:** Dacă ușa sau garniturile ușii sunt deteriorate, cuptorul nu trebuie să funcționeze până când nu a fost reparat de o persoană competentă;
WARNING: If the door or door seals are damaged, the oven must not be operated until it has been repaired by a competent person;
- **ATENȚIONARE:** Este periculos pentru oricine altcineva în afară de o persoană competentă să efectueze orice operațiune de service sau de reparare care implică îndepărtarea unui capac care oferă protecție împotriva expunerii la energia cuptorului cu microunde;
- **ATENȚIONARE:** lichidele și alte alimente nu trebuie încălzite în recipiente etanșe, întrucât există riscul de a exploda.
- Copiii trebuie supravegheați pentru a vă asigura că nu se joacă cu aparatul.
- Nu scoateți picioarele cuptorului, nu blocați fantele de aerisire ale cuptorului.
- Utilizați numai ustensile adecvate pentru utilizarea în cuptoarele cu microunde.
- Atunci când încălziți alimentele în recipiente din plastic sau hârtie, supravegheați cuptorul întrucât există riscul de aprindere;
- Dacă observați fum, opriți sau deconectați aparatul și țineți ușa închisă pentru a înăbuși flăcările;
- Încălzirea cu microunde a băuturilor poate duce la o fierbere eruptivă întârziată, prin urmare, trebuie să aveți grijă când manipulați recipientul;
- Se amestecă sau se agită conținutul borcanelor cu alimente pentru copii și se verifică temperatura înainte

de consum, pentru a se evita arsurile;

- Ouăle în coajă și ouăle fierte tari întregi nu trebuie încălzite în cuptoarele cu microunde, deoarece acestea pot exploda, chiar și după ce încălzirea cu microunde s-a încheiat;
- Când curățați suprafețele ușii, garniturile ușii, cavitatea cuptorului, utilizați numai săpunuri neagresive, neabrazive sau detergenți aplicați cu un burete sau o lavetă moale.
- Cuptorul trebuie curățat regulat și depunerile de alimente trebuie îndepărtate;
- Dacă nu mențineți curățenia cuptorului, suprafața acestuia se poate deteriora, ceea ce ar putea afecta negativ durata de funcționare a aparatului și ar putea duce la o situație periculoasă;
- În cazul în care cablul de alimentare este deteriorat, acesta trebuie înlocuit de către producător, de agentul de service sau de persoane cu calificare corespunzătoare, pentru a evita pericolele.
- Nu lăsați cablul de alimentare să atârne peste marginea mesei sau a blatului de lucru.
- Nu conectați niciodată acest aparat la un temporizator extern sau la un sistem de comandă de la distanță pentru a evita o situație periculoasă.
- Nu înlocuiți niciodată becul din interiorul cuptorului. Acesta trebuie să fie întotdeauna înlocuit de departamentul de service al companiei Hisense.
- Nu curățați aparatul cu aparate de curățat cu abur, aparate de curățat cu înaltă presiune, obiecte ascuțite, agenți de curățare abrazivi, bureți abrazivi sau produse de îndepărtare a petelor.

Mai jos sunt prezentate, la fel ca în cazul tuturor aparatelor, anumite reguli de urmat și măsuri de protecție pentru a asigura cea mai bună performanță a acestui cuptor:

1. În timpul utilizării cuptorului, platoul de sticlă, brațele cu role, dispozitivul de cuplare și șenila cu role trebuie să stea întotdeauna la locul lor.
2. Nu utilizați cuptorul în alte scopuri în afară de pregătirea alimentelor, cum ar fi pentru uscarea hainelor, hârtiei sau a altor produse nealimentare sau pentru sterilizare.
3. Nu utilizați cuptorul atunci când este gol. Acest lucru ar putea deteriora cuptorul.
4. Nu utilizați cavitatea cuptorului pentru nici un tip de depozitare, cum ar fi pentru hârtii, cărți de bucate etc.
5. Nu gătiți alimente înconjurate de membrană, cum ar fi gălbenușuri de ou, cartofi, ficat de pui etc., fără a le înțepa cu furculița în prealabil de câteva ori.
6. Nu introduceți nici un obiect în orificiile de pe carcasa exterioară.
7. Nu îndepărtați niciodată piese ale cuptorului, cum ar fi picioarele, cuplajul, șuruburile etc.
8. Nu gătiți mâncarea direct pe platoul de sticlă. Așezați alimentele în/pe ustensila de gătit corespunzătoare înainte de a le introduce în cuptor.

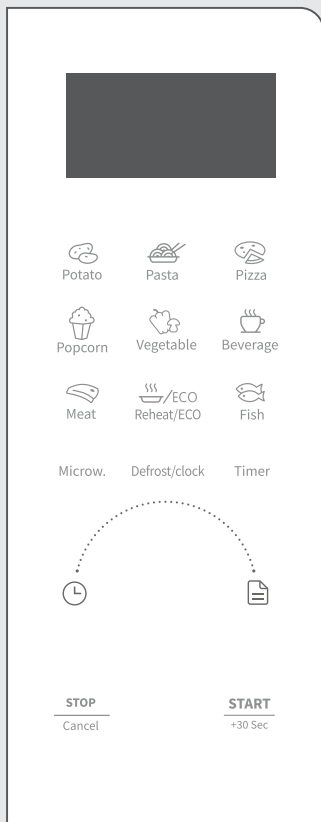
IMPORTANT - VASE CE NU TREBUIE UTILIZATE ÎN CUPTORUL CU MICROUNDE

- Nu folosiți oale metalice sau vase cu mânere metalice.
 - Nu folosiți recipiente cu ornamente metalice.
 - Nu folosiți cleme de sârmă acoperite cu hârtie destinate sigilării pungilor de plastic.
 - Nu utilizați vase de melamină, deoarece acestea conțin un material care va absorbi energia cuptorului cu microunde. Acest lucru poate duce la fisurarea sau carbonizarea vaselor și va încetini viteza de gătire.
 - Nu utilizați veselă marca Centura. Glazura nu este potrivită pentru utilizarea în cuptorul cu microunde. Cănila cu toartă marca Corolle Livingware nu trebuie utilizate.
 - Nu gătiți într-un recipient cu deschidere limitată, cum ar fi sticlele PET sau cele de ulei închise etanș, deoarece acestea pot exploda dacă sunt încălzite într-un cuptor cu microunde.
 - Nu utilizați termometre convenționale pentru carne sau acadele.
 - Sunt disponibile termometre speciale pentru prepararea alimentelor la cuptorul cu microunde. Pe acelea le puteți folosi.
9. Ustensilele pentru cuptoare cu microunde trebuie utilizate numai în conformitate cu instrucțiunile producătorului.
 10. Nu încercați să prăjiți alimente în acest cuptor.
 11. Vă rugăm să rețineți că un cuptor cu microunde încălzește mai degrabă lichidul dintr-un recipient și nu recipientul în sine. Prin urmare, chiar dacă la scoaterea din cuptor capacul unui recipient nu este fierbinte la atingere, vă rugăm să rețineți că alimentele/ lichidele din interior

vor elibera aceeași cantitate de abur și/ sau vor arunca jeturi de presiune atunci când veți îndepărta capacul, la fel ca în cazul gătitului convențional.

12. Testați întotdeauna temperatura alimentelor găsite, în special dacă încălziți sau gătiți alimente/ lichide pentru bebeluși. Este recomandabil să nu consumați niciodată alimente/ lichide direct din cuptor, ci să le lăsați să stea timp de câteva minute și să amestecați alimentele/ lichidele pentru a distribui căldura în mod uniform.
13. Alimentele care conțin un amestec de grăsimi și apă, de exemplu, supă concentrată, trebuie să stea timp de 30-60 de secunde în cuptor după ce acesta s-a oprit. Acest lucru permite amestecului să se stabilizeze și să prevină barbotarea atunci când o lingură este plasată în aliment/ lichid sau când se adaugă un cub de supă concentrată.
14. Atunci când preparați/ gătiți alimente/ lichide amintiți-vă că există anumite alimente, de exemplu budinci de Crăciun, gem sau carne tocată, care se încălzesc foarte repede. Atunci când încălziți sau gătiți alimente cu conținut ridicat de grăsimi sau zahăr, nu utilizați recipiente din plastic.
15. Ustensilele de gătit se pot încălzi din cauza căldurii transferate din alimentele încălzite. Acest lucru este valabil mai ales dacă folia de plastic a acoperit partea superioară și mânerul ustensilei. Pentru manevrarea ustensilelor pot fi necesare șervete groase.
16. Pentru a reduce riscul de incendiu în cavitatea cuptorului:
 - a) Nu gătiți excesiv alimentele. Priviți cu atenție cuptorul cu microunde dacă în interiorul acestuia sunt introduse hârtie, plastic sau alte materiale combustibile pentru a facilita gătitul.
 - b) Scoateți clemele de sigilare din sârmă ale pungilor înainte de a introduce punga în cuptor.
 - c) Dacă materialele din interiorul cuptorului se aprind, țineți ușa cuptorului închisă, opriți cuptorul de la întrerupătorul de perete sau opriți alimentarea de la panoul de siguranțe sau al întrerupătorului.

FUNȚIONAREA PANOULUI DE COMANDĂ



AFIȘAJ

Afișează ceasul, timpul de gătire și setarea.

DEFROST (Decongelare)

Utilizați această tastă pentru a dezgheța alimentele în funcție de timp și greutate în CUPTORUL CU MICROUNDURI.

Utilizați această tastă pentru a selecta nivelul de putere al microundurilor.

CLOCK (Ceas)

Țineți apăsată această tastă timp de 3 secunde pentru a seta ceasul.

TIMER (Temporizator)

Utilizați această tastă pentru a seta funcția de temporizare.

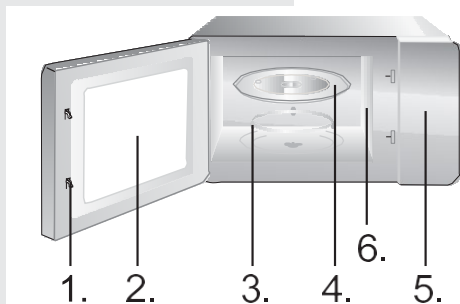
Pictograme

Utilizați aceste taste pentru a seta ora și greutatea mâncării și pentru a alege programele de meniu automat.

STOP/CANCEL (Stop/Anulare)

Utilizați această tastă pentru a opri sau anula setarea. Țineți-o apăsată timp de 3 sec pentru blocare de siguranță pentru copii

START/+30 SEC
Utilizați această tastă pentru a începe rapid gătitul de 30 de secunde, pentru a crește timpul de gătit cu 30 de secunde (la fiecare apăsare) sau pentru a confirma setările de gătit.



1. Sistem de blocare de siguranță a ușii
2. Fereastra cuptorului
3. Inel cu role
4. Platou de sticlă
5. Panou de comandă
6. Ghid de unde (vă rugăm să nu scoateți placa de mică care acoperă ghidul de unde)

FUNCȚIA CUPTORULUI CU MICROUND

Există 10 niveluri de putere ale cuptorului cu microunde în total, respectiv 100P, 90P, 80P, 70P, 60P, 50P, 40P, 30P, 20P și 10P. Rotiți butonul de mai jos pentru a mări sau reduce durata de gătire, intervalul de timp care poate fi selectat este de la 0:10 la 60:00. După selectarea duratei, apăsați pe butonul „START/+30sec” pentru a începe gătitul. Se va auzi o sonerie ce anunță finalizarea operațiunii.

HIGH	puterea de ieșire 100% și 90%	(Aplicabil pentru gătit rapid și în profunzime)
M.High	puterea de ieșire 80% și 70%	Aplicabil pentru gătit mediu expres)
Med	puterea de ieșire 60% și 50%	(Aplicabil pentru prepararea alimentelor la abur)
M.Low	puterea de ieșire 40% și 30%	(Aplicabil pentru decongelarea alimentelor)
LOW	puterea de ieșire 20% și 10%	(Aplicabil pentru păstrarea alimentelor calde)

CAUTION

- Durata maximă care poate fi setată este de 60 de minute
- Nu folosiți niciodată cuptorul gol.
- Când atinge puterea maximă, cuptorul cu microunde o va reduce automat după un anumit timp de gătit pentru a prelungi durata de utilizare.
- Dacă întoarceți alimentele în timpul funcționării, apăsați o dată **pe butonul**

START/+30s

și procedura de preparare presetată va continua.

e. Dacă doriți să scoateți alimentele înainte de ora presetată, trebuie să apăsați pe butonul **STOP/ ANULARE** pentru a șterge procedura presetată, pentru a evita utilizarea neintenționată la următoarea utilizare.

DECONGELAREA/ DECONGELARE ÎN FUNCȚIE DE TIMP

Există două moduri de decongelare dEF1 și, respectiv, dEF2. dEF1 pentru decongelare în funcție de greutate și dEF2 pentru decongelare în funcție de timp. Apăsați acest buton pentru a selecta decongelarea în funcție de greutate sau în funcție de timp, și pe ecran se va afișa "dEF1" ori "dEF2". Rotiți butonul pentru a selecta greutatea alimentelor sau timpul de decongelare. Gama de greutate a dEF1 este de la 100 la 1500 g, iar durata maximă este de 60:00. După ce ați selectat greutatea sau timpul de decongelare, apăsați butonul „START/ +30s” pentru a începe să funcționeze. Se va auzi o sonerie ce anunță finalizarea operațiunii. Modul de decongelare dEF1 în funcție de greutate va emite un bip pentru a determina răsturnarea alimentelor în timpul decongelării. Mai jos sunt câteva sfaturi privind timpul de decongelare a alimentelor:

dEF1	Pentru decongelare, intervalul de greutate este 100g - 1500g.
dEF2	Pentru decongelare, durata maximă este de 60:00.

CAUTION

- a. În timpul decongelării, este necesar să întoarceți alimentele pentru a obține un efect uniform.
- b. De obicei, pentru decongelare aveți nevoie de mai mult timp decât pentru gătitul alimentelor.
- c. Puteți considera că procesul de decongelare este finalizat atunci când puteți tăia alimentele cu cuțitul.
- d. Microundele pătrund aproximativ 4 cm în majoritatea alimentelor
- e. Alimentele decongelate trebuie consumate cât mai curând posibil, nu este recomandat să le puneți la frigider și să le congelați din nou.

CEAS (ceas cu 24 de ore)

În modul de așteptare, apăsați butonul „DEFROST/CLOCK” mai mult de 3 secunde pentru a intra în interfața de setare a ceasului. În același timp, ecranul afișează intermitent orele. Ora poate fi setată rotind butonul. După setarea orei, apăsați pe butonul „START/ +30s” pentru o scurtă perioadă de timp pentru a trece la modul de setare a minutelor. Minutetele pot fi setate rotind butonul. După setarea minutelor, apăsați din nou pe butonul „START/+30s” pentru a ieși din modul de setare.

GĂTIRE AUTOMATĂ

Există opt meniuri automate A.1~A.8, cartofi, paste, Pizza, Popcorn, legume, băuturi, carne și respectiv pește. Apăsăți pe butonul „Menu” continuu pentru a selecta meniul dorit și rotiți butonul pentru a selecta greutatea dorită a meniului. După selectarea greutății meniului, apăsați pe butonul „START/+30sec” pentru a începe gătitul. Se va auzi o sonerie ce anunță finalizarea operațiunii.

Afișajul	Tip	Metodă
A.1	Cartofi	Greutățile opționale sunt de 250g, 500g și 750g
A.2	Paste	Greutățile opționale sunt de 50g, 100g și 150g
A.3	Pizza	Greutățile opționale sunt de 200g și 400g
A.4	Popcorn	Greutatea opțională este de 100g
A.5	Legume	Greutățile opționale sunt de 200g, 400g și 600g
A.6	Băuturi	Greutatea opțională este de 1 ceașcă, 2 cești sau 3 cești, fiecare de aproximativ 250ml.
A.7	Carne	Greutățile opționale sunt de 200g, 400g și 600g
A.8	Pește	Greutățile opționale sunt de 200g, 400g și 600g

CAUTION

- a. Temperatura alimentelor înainte de gătire trebuie să fie de 20-25°C. Temperatura mai mare sau mai mică a alimentelor înainte de gătit ar presupune mărirea sau reducerea timpului de gătire.
- b. Temperatura, greutatea și forma alimentelor vor influența în mare măsură efectul gătirii. Dacă s-a constatat o abatere de la factorul menționat în meniul de mai sus, puteți regla timpul de preparare pentru a obține cel mai bun rezultat.

TIMER (Temporizator)

În modul așteptare, apăsați pe acest buton pentru a accesa interfața de setare, iar pictograma funcției de numărătoare inversă și "0:00" vor fi afișate pe ecranul de afișare. Rotiți butonul pentru a seta durata, durata maximă care poate fi introdusă este 60:00. După setarea timpului, apăsați pe butonul „START/+30sec” pentru a începe numărătoarea inversă. Se va auzi un semnal sonor ce anunță finalizarea numărătorii inverse

REHEAT/ECO REHEAT

(Reîncălzire/Reîncălzire Eco)

Funcția de reîncălzire se folosește în principal pentru a permite utilizatorilor să încălzească alimentele în funcție de greutate, rotiți butonul pentru a selecta greutatea corespunzătoare a alimentelor, greutatele opționale sunt 200g, 400g, 600g, 800g și 1000g. După selectarea greutății, apăsați pe butonul „START/+30sec” pentru a începe gătitul. Se va auzi o sonerie ce anunță finalizarea operațiunii.

ECO

În modul așteptare, apăsați și mențineți apăsat butonul Reheat (Reîncălzire) timp de 3s pentru a activa funcția ECO, iar afișajul se va stinge. Când porniți funcția ECO, apăsați pe orice buton pentru a o dezactiva.

STOP

În procesul de setare a gătirii, puteți apăsa pe butonul „STOP” pentru a anula setările și a reveni la starea de așteptare. În timpul gătirii la cuptorul cu microunde, puteți apăsa pe butonul „STOP” pentru a-l întrerupe. În starea de așteptare, puteți apăsa pe butonul „STOP” din nou pentru a anula funcția și pentru a reveni la starea de așteptare.

START/+30s

După setarea timpului de gătire sau a greutatei alimentelor, apăsați pe butonul „START/+30sec” pentru a porni cuptorul cu microunde imediat. În starea de funcționare, puteți apăsa pe butonul „START/+30sec” pentru a mări timpul, apăsați o dată pentru a mări timpul cu 30 secunde, dar nu puteți regla timpul din modul meniu și de decongelare în funcție de greutate. În starea de pauză, puteți apăsa pe butonul „START/+30sec” pentru ca cuptorul să continue să funcționeze înainte de a seta modul de gătire.

EXPRES

În modul așteptare, după ce alimentele sunt introduse în cuptor și ușa este închisă, apăsați pe butonul "START/+30s" pentru a porni rapid cuptorul cu microunde. Durata implicită de funcționare este de 30 secunde. În timpul procesului de funcționare, apăsați pe butonul "START/+30s" o dată timp de 30 secunde. Se va auzi o sonerie ce anunță finalizarea operațiunii.

FUNCȚIA DE BLOCARE DE SIGURANȚĂ PENTRU COPII

Utilizați această funcție pentru a bloca panoul de comandă atunci când îl curățați sau astfel încât copiii să nu poată utiliza cuptorul nesupravegheați. Toate butoanele sunt nefuncționale în acest mod.

- 1) **Setați blocarea:** În modul așteptare, apăsați pe butonul „STOP” mai mult de 3 secunde, funcția de blocare de siguranță pentru copii este blocată și butoanele cuptorului cu microunde nu pot fi acționate.
- 2) **Anulați blocarea:** În modul de blocare de siguranță pentru copii, apăsați pe butonul „STOP” mai mult de 3 secunde pentru a anula funcția de blocare de siguranță pentru copii.

GHID DE FOLOSIRE A USTENSILELOR

Se recomandă utilizarea recipientelor care sunt potrivite și sigure pentru gătitul la cuptorul cu microunde. În general, recipientele care sunt fabricate din ceramică, sticlă sau plastic rezistente la căldură sunt potrivite pentru gătitul la cuptorul cu microunde. Nu utilizați niciodată recipientele metalice pentru gătit cu microunde și gătit combinat, deoarece este posibil să apară scânteii. Puteți consulta tabelul de referință de mai jos.

Materialul recipientului	Cuptor cu microunde	Note
Rezistent la căldură ceramică	Da	Nu folosiți niciodată recipiente ceramice decorate cu margine sau decorațiuni metalice
Plastic rezistent la căldură	Da	Nu poate fi utilizat pentru gătit la microunde pe durată mare
Sticlă rezistentă la căldură	Da	
Grătar	Nu	
Folie din plastic	Da	Nu trebuie utilizată la gătitul cărnii sau a coteletelor, deoarece temperatura excesivă poate deteriora folia

SUGESTII PENTRU GĂTIT

Următorii factori pot afecta rezultatul gătitului:

Aranjarea alimentelor

Puneți zonele mai groase spre exteriorul vasului, partea mai subțire spre centru și întindeți/distribuiți uniform. Nu suprapuneți dacă este posibil.

Durata de gătit

Începeți să gătiți cu o setare scurtă, evaluați după expirarea timpului și extindeți în funcție de nevoia reală. Gătitul excesiv poate duce la fum și ardere.

Gătirea uniformă a alimentelor

Alimente precum puiul, hamburgerul sau friptura trebuie întoarse o dată în timpul gătirii. În funcție de tipul de aliment, dacă este cazul, amestecați-l din exterior spre centrul vasului o dată sau de două ori în timpul gătirii

Permiteți timp de repaus

După terminarea timpului de gătire, lăsați alimentele în cuptor pentru o perioadă adecvată de timp, acest lucru le permite să își finalizeze ciclul de gătire și să se răcească în mod treptat

Dacă mâncarea este făcută

Culoarea și fermitatea alimentelor ne ajută să aflăm dacă gătitul s-a încheiat, acestea includ:

- Abur care iese din toate părțile alimentelor, nu doar de pe margini
- Articulațiile de păsări pot fi mișcate cu ușurință
- Carnea de porc sau de pasăre nu prezintă semne de sânge
- Peștele este opac și poate fi feliat ușor cu o furculiță

Vasul de rumenire

Când utilizați un vas de rumenire sau un recipient cu autoîncălzire, așezați întotdeauna un izolator rezistent la căldură, cum ar fi o placă de porțelan, sub acesta pentru a preveni deteriorarea farfuriei și ainelului rotativ.

Folie de plastic care poate fi utilizată în siguranță în cuptorul cu microunde

Când gătiți alimente cu conținut ridicat de grăsimi, nu lăsați folia de plastic să intre în contact cu alimentele, deoarece se poate topi

Vase din plastic care pot fi utilizate în siguranță în cuptorul cu microunde

Unele vase din plastic sigure pentru microunde ar putea să nu fie potrivite pentru gătitul alimentelor cu conținut ridicat de grăsimi și zahăr. De asemenea, nu trebuie să se depășească timpul de preîncălzire specificat în manualul de instrucțiuni al vasului

ÎNȚREȚINERE

SERVICII

Vă rugăm să verificați următoarele înainte de a solicita servicii.

1. Introduceți o ceașcă cu apă (aprox. 100 ml) măsurată în paharul de măsurat în cuptor și închideți ușa în siguranță. Becul cuptorului ar trebui să se stingă dacă ușa este închisă corect. Lăsați cuptorul să funcționeze timp de 1 min.
2. Becul cuptorului se aprinde?
3. Ventilatorul de răcire funcționează? (Puneți mâna peste fantele de ventilație din spate.)
4. Platanul se rotește? (Farfuria se poate roti în orar sau

în sens anterior. Acest lucru este normal.)

5. Apa din interiorul cuptorului este fierbinte?
Dacă răspunsul la oricare dintre întrebările de mai sus este „NU”, vă rugăm să verificați priza de perete și siguranța din caseta contorului.

Dacă atât priza de perete, cât și siguranța funcționează corect, CONTACTAȚI CEL MAI APROPIAT CENTRU DE SERVICE AUTORIZAT.

GARANȚII DE SERVICE

Atenție: RADIAȚIILE CU MICROUNDDE

1. Condensatorul de înaltă tensiune rămâne încărcat după deconectare; scurtați borna negativă H a condensatorului V la șasiul cuptorului (utilizați o șurubelniță) pentru descărcare înainte de atingere.

2. În timpul lucrărilor de service de mai jos, piesele enumerate pot fi îndepărtate și pot oferi acces la potențialele de peste 250V de împământare.

- Magnetron
- Transformator de înaltă tensiune
- Condensator de înaltă tensiune
- Diodă de înaltă tensiune
- Siguranță de înaltă tensiune

3. Următoarele condiții pot cauza expunerea excesivă la microundde în timpul lucrărilor de service.

- Montarea incorectă a magnetronului;

- Potrivire necorespunzătoare a interblocării ușii, a balamalei ușii și a ușii;
- Montarea necorespunzătoare a suportului comutatorului;
- Ușa, garnitura ușii sau carcasa au fost deteriorate.

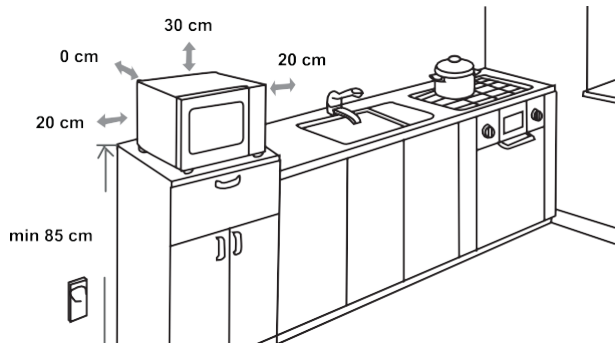
SPECIFICAȚII

Consum de energie	220-240V ~50Hz, 1280W
Putere de ieșire	800W
Frecvența de operare	2450 MHz
Dimensiuni exterioare	480×295×352mm
Capacitatea cuptorului	23 litri
Greutate scos din cutie	aprox.11.7 kg
Nivel de zgomot	Lc ≤ 61 dB (A)



Acest aparat este marcat în conformitate cu Directiva europeană 2012/19/UE privind Deșeurile de echipamente electrice și electronice (DEEE). Această normă reprezintă cadrul de reglementare la nivel european al returnării și reciclării deșeurilor de echipamente electrice și electronice.

DIMENSIUNI DE MONTARE



INTERFERENȚE RADIO

Cuptorul cu microunde poate provoca interferențe cu radioul, televizorul sau alte echipamente similare. Atunci când interferențele apar, acestea pot fi eliminate sau reduse prin următoarele proceduri.

- a) Curățați ușa și suprafața de etanșare a cuptorului.
- b) Așezați radioul, televizorul etc. cât mai departe posibil de cuptorul cu microunde.
- c) Utilizați o antenă instalată corect pentru radio, TV etc. pentru a obține o recepție puternică a semnalului.

NE REZERVĂM DREPTUL DE A FACE ORICE MODIFICĂRI CARE NU AFECTEAZĂ FUNCȚIONALITATEA APARATULUI.

Hisense

BÄSTA KUND

Stort tack för ditt köp. Vi är förvissade om att du snart kommer att få många belägg för att du verkligen kan lita på våra produkter. Som hjälp i att använda produkten bifogar vi denna utförliga bruksanvisning.

Dessa instruktioner bör vara till hjälp när du bekantar dig med produkten. Läs dem noga innan du använder apparaten för första gången.

Se i vilket fall som helst till att apparaten har levererats till dig oskadad. Om du upptäcker transportskador ska du kontakta säljaren eller det regionala lager som levererat produkten. Du hittar telefonnumret på kvittot eller i leveransrapporten.

Vi hoppas att du får glädje av din nya hushållsapparat.

Apparat för hushållsbruk för uppvärmning av mat och dryck med elektromagnetisk energi. Endast för inomhusbruk.



BRUKSANVISNING

Dessa instruktioner är avsedda för användaren. De beskriver ugnen och hur man använder den. De gäller även olika typer av produkter, därför kan du få vissa beskrivningar av funktioner som kanske inte gäller för just din produkt.

Vi förbehåller oss rätten att göra ändringar och korrigera fel i bruksanvisningen.

VIKTIGA SÄKERHETSANVISNINGAR



Rör aldrig vid ytorna på uppvärmnings- eller tillagningsprodukter. Dessa blir heta vid användning. Håll barn på säkert avstånd. Brandrisk!



Mikrovågsenergi och hög spänning!
Ta inte av höljet.

WARNING! Produkten och dess åtkomliga delar blir varma under användning. Var försiktig så att du inte vidrör värmeelementen. Barn under 8 år ska hållas borta från produkten om de inte hålls under kontinuerlig uppsikt. Barn ska hållas under uppsikt för att förhindra att de leker med produkten.

Produkten kan användas av barn från 8 år och personer med nedsatt fysisk, sensorisk eller mental förmåga, eller med bristfällig erfarenhet och kunskap, under förutsättning att de har instruerats om hur man använder produkten på ett säkert sätt och är införstådda med de risker som är förknippade därmed. Barn får inte leka med produkten. Rengöring och underhåll får inte utföras av barn om de inte är äldre än 8 år och hålls under uppsikt.

Förvara produkten och sladden utom räckhåll för barn under 8 år.

- **WARNING:** Om produkten används i kombinationsläge får barn endast använda ugnen under uppsikt av vuxen, på grund av den temperatur som uppstår; (endast för modell med grillfunktion)

- **VARNING:** Om luckan eller luckans tätning är skadad får ugnen inte användas förrän den har reparerats av tekniskt kunnig person;
- **VARNING:** Det är farligt för personer som inte är tekniskt kunniga att utföra service eller reparationer som innebär att ett hölje för skydd mot exponering för mikrovågsenergi tas bort;
- **VARNING!** Vätskor och livsmedel får inte värmas upp i tillslutna behållare eftersom dessa kan explodera.
- Barn ska hållas under uppsikt för att förhindra att de leker med produkten.
- Avlägsna inte ugnens fötter och täpp inte till ugnens luftutlopp.
- Använd endast redskap som är lämpliga för att användas i mikrovågsugnar.
- När du värmer mat i plast- eller pappersbehållare bör ugnen hållas under uppsikt, på grund av risken för antändning;;
- Om rök observeras, stäng av eller koppla ur produkten och håll luckan stängd för att kväva eventuella lågor;
- När dryck värms med mikrovågor kan vätskan koka över när den tas ut. Iakttag därför försiktighet när behållaren hanteras;
- Innehållet i nappflaskor och barnmatsburkar ska röras om eller skakas och temperaturen kontrolleras före konsumtion, för att undvika brännskador;

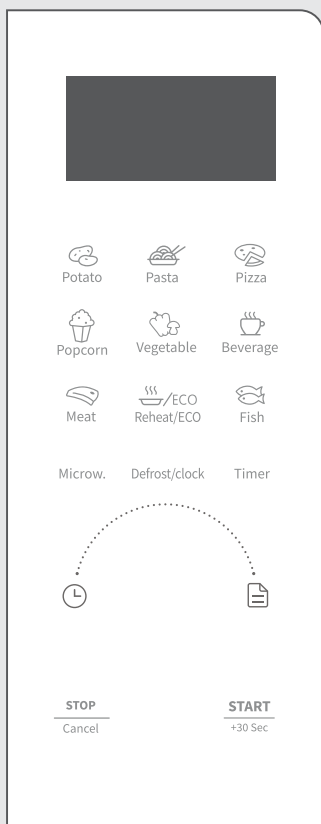
- Oskalade råa ägg och hela hårdkokta ägg bör inte värmas i mikrovågsugn, då de kan explodera, även efter att mikrovågsuppvärmningen har upphört;
- För rengöring av lucka, tätningar och ugnens insida, använd endast mild tvål utan slipmedel, eller en svamp eller disktrasa med lite diskmedel.
- Ugnen ska rengöras regelbundet och eventuella matavlagringar avlägsnas;
- Om ugnen inte hålls ren kan det leda till att ytan försämras, vilket kan förkorta produktens livslängd och även leda till fara;
- Om strömsladden är trasig måste den bytas av tillverkaren, dennes serviceagent eller behöriga personer för att undvika fara.
- Låt inte sladden hänga över kanten på bordet eller bänkskivan.
- För att minska riskerna ska du aldrig ansluta produkten till en extern tidsbrytare eller ett fjärrkontrollsystem.
- Byt aldrig glödlampan som sitter i ugnen. Den lampan får endast bytas av Hisenses service.
- Rengör aldrig produkten med ångtvätt, högtryckstvätt, vassa föremål, slipande rengöringsmedel eller slipande svampar och fläckborttagare.

Nedan listas, som med alla produkter, vissa regler att följa och skyddsåtgärder för att säkerställa bästa prestanda från denna ugn:

1. Ha alltid glastallriken, rullarmarna, kopplingen och rullspåret på plats när du använder ugnen.
2. Använd inte ugnen till något annat än matlagning, till exempel för torkning av kläder, papper eller andra icke-livsmedelsprodukter eller för steriliseringsändamål.
3. Kör aldrig ugnen när den är tom. Detta kan skada ugnen.
4. Använd inte ugnstrymmet för någon typ av förvaring, till exempel av papper, kokböcker o.s.v.
5. Tillaga inte något livsmedel omgivet av ett membran såsom äggulor, potatis, kycklinglever, etc utan att först genomborra detta flera gånger med en gaffel.
6. För aldrig in föremål i öppningarna på ugnens hölje.
7. Ta aldrig bort delar från ugnen, t.ex fötter, koppling eller skruvar.
8. Tillaga aldrig mat direkt på glasplattan. Placera maten i ett lämpligt kärl innan du sätter den i ugnen. **VIKTIGT – KÄRL SOM INTE SKA ANVÄNDAS I MIKROVÅGSUGNEN**
 - Använd inte kärl av metall eller som har handtag av metall.
 - Använd inga föremål med metallkanter.
 - Använd inte påsförslutare med pappersöverdrag på plastpåsar.
 - Använd inte melaminskålar eftersom de innehåller ett material som absorberar mikrovågsenergi. Det kan göra att kärlet spricker eller bränns och förlänger tillagningstiden.
 - Använd inte Centura Tableware. Glasyren är inte lämplig för mikrovågsbruk. Corelle Livingwares koppar med slutna handtag ska inte användas.
 - Tillaga inte i en behållare med begränsad öppning, till exempel en läskflaska eller förseglad oljeflaska, eftersom de kan explodera om de värms upp i en mikrovågsugn.
 - Använd inte konventionella kött- eller godistermometrar.
 - Det finns speciella termometrar för mikrovågsmatlagning. Använd dessa istället.
9. Mikrovågsredskap ska användas endast i enlighet med tillverkarens instruktioner.
10. Försök aldrig fritera i mikrovågsugnen.
11. Kom ihåg att en mikrovågsugn bara värmer vätskan i en behållare och inte själva behållaren. Detta innebär att locket på en behållare kan vara

- svalt när du tar ut den från ugnen, men att maten/vätskan inuti ändå avger samma mängd ånga och/eller stänk som när du tar av locket vid normal tillagning på spisen.
12. Kontrollera alltid temperaturen på den värmda maten själv, särskilt om du värmer eller tillagar mat/dryck till spädbarn. Det rekommenderas att aldrig förtära mat/dryck direkt efter att den tagits ut ur ugnen, utan låt den istället stå i några minuter och rör om för att värmen ska fördelas.
 13. Mat som innehåller en blandning av fett och vatten, t.ex. buljong, bör få stå i 30–60 sekunder inne i ugnen efter att denna har stängts av. Detta gör att blandningen får tid att sätta sig och förhindrar att det bubblar när du sätter en sked i maten/vätskan eller tillsätter buljongtärning.
 14. Kom ihåg att vissa livsmedel, t.ex. pudding, sylt och köttfärs, går mycket fort att värma. Använd inte kärl av plast när du värmer livsmedel som har en hög halt av fett eller socker.
 15. Köksredskap kan bli mycket heta när värmen leds över från den mat som värms. Det gäller särskilt om överdel och handtag på redskapen har överdrag av plast. Grythandskar kan behöva användas för att hålla i redskapet.
 16. För att minska risken för brand i ugnen:
 - a) Tillaga inte för länge. Håll alltid uppsikt över mikrovågsugnen om brännbara material som t.ex. papper, plast eller dylikt placeras i ugnen för att underlätta tillagningen.
 - b) Avlägsna påsförslutare innan påsar placeras i ugnen.
 - c) Om materialen i ugnen skulle antändas, låt ugnsluckan vara stängd och stäng av ugnen med väggbrytaren eller genom att ta ut säkringen/stänga av automatsäkringen.

ANVÄNDNING AV KONTROLLPANELEN



DISPLAY

Visar klocka, tillagningstid och inställningar.

DEFROST

Den här knappen används för att tina mat efter tid och vikt

MICROW.

Den här knappen används för att välja styrka på mikrovågorna.

KLOCKA

Håll ned den här knappen i 3 sekunder för att ställa in klocktid.

TIMER

Använd den här knappen för att ställa in tidtagarfunktionen.

IKONERNA

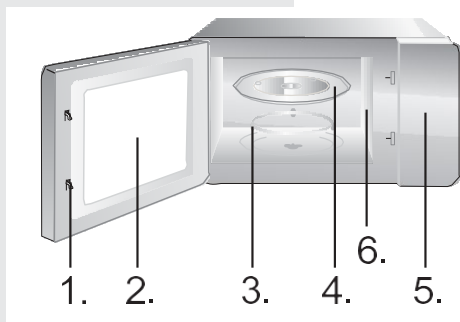
De här knapparna används för att välja menyprogram som ställer in tid och vikt automatiskt.

STOP/CANCEL

Använd den här knappen för att stoppa eller avbryta inställningen. Håll ner i 3 sekunder för barnspärr

START/+30 SEC

Används för att snabbstarta tillagning i 30 sekunder, för att öka tiden med 30 sekunder (för varje knapptryck) eller för att bekräfta inställningarna.



1. Luckstängningssystem
2. Ugnsfönster
3. Rullring
4. Glastallrik
5. Kontrollpanel
6. Vågguide (ta inte bort micaplattan som täcker vågguiden)

Det finns tio mikrovågseffektnivåer, 100P, 90P, 80P, 70P, 60P, 50P, 40P, 30P, 20P respektive 10P. Vrid på reglaget nedan för att öka eller minska tillagningstiden. Tidsintervallet kan väljas från 0:10 till 60:00. När du har valt tid trycker du på "START/+30s." för att börja tillagningen. En ljudsignal hörs när programmet är klart.

HÖG	100 % och 90 % effekt	(för snabb och grundlig tillagning)
Medel-Hög	80 % och 70 % effekt	(Tillämpligt för medelhög expresstillagning)
Medel	60 % och 50 % effekt	(för ångkokning)
Medel-Låg	40 % och 30 % effekt	(Tillämpligt för att tina livsmedel)
LÅG	20 % och 10 % effekt	(för varmhållning)

CAUTION

- Den maximala tiden som kan ställas in är 60 minuter
- Använd aldrig ugnen tom.
- Vid maximal mikrovågseffekt sänker ugnen automatiskt effekten efter en viss tillagningstid för att förlänga ugnens livslängd.
- Om du vänder maten under användning trycker du på **START/+ 30s**

en gång, så fortsätter den förinställda tillagningsproceduren.

e. Om du ska ta bort maten före den förinställda tiden, måste du

trycka på **STOP/CANCEL-knappen** en gång för att rensa den förinställda proceduren och undvika oavsiktlig användning av nästa gång.

**AVFROSTNING/
AVFROSTNING MED TID**

Det finns två avfrostningslägen, dEF1 respektive dEF2. dEF1 för avfrostning efter vikt och dEF2 för avfrostning efter tid. Tryck på den här knappen för att välja avfrostning efter vikt eller tid. Skärmen visar "dEF1" eller "dEF2". Vrid reglaget för att välja matens vikt eller avfrostningstid. Viktintervallet för dEF1 är från 100 till 1 500 g och den maximala tiden för dEF2 är 60:00. När du har valt avfrostningsvikten eller tiden trycker du på "START/+30s" för att börja. En ljudsignal hörs när programmet är klart. DEF1-upptiningsläget efter vikt avger ett pipjud när maten ska vändas under avfrostningen.

Nedan följer några råd om avfrostningstid för mat:

dEF1	För avfrostning är viktintervallet från 100 g till 1 500 g.
dEF2	För avfrostning är den maximala tiden 60:00.

CAUTION

- a. Du måste vända maten under avfrostningen för att få enhetlig effekt.
- b. Avfrostning tar vanligtvis längre tid än att laga maten.
- c. Om maten kan skäras med kniv kan avfrostningen anses vara avslutad..
- d. Mikrovågorna tränger in cirka 4 cm i de flesta livsmedel
- e. Avfrostad mat bör konsumeras så snart som möjligt, det rekommenderas inte att sätta tillbaka den i kylskåpet och frysa den igen.

KLOCKA (24-timmars klocka)

I standby-läge trycker du på och håller ned knappen "DEFROST/CLOCK" i mer än 3 sekunder för att öppna klockinställningsgränssnittet. Samtidigt blinkar skärmen med timmar. Timmarna kan ställas in genom att vrida på reglaget. När du har ställt in timme trycker du kort på knappen "START/+30s" för att växla till minutläget. Minuterna kan ställas in genom att vrida på reglaget. Efter att ha ställt in minuter, trycker du på "START/+30s" igen för att lämna inställningsläget.

AUTOMATPROGRAM

Det finns åtta automatiska menyer A.1~A.8, potatis, pasta, pizza, popcorn, grönsaker, dryck, kött respektive fisk. Håll in "Meny"-knappen för att välja önskad meny och vrid sedan på reglaget för att välja menyns vikt. När du har valt tillagningsvikten trycker du på "START/+30s" för att börja. En ljudsignal hörs när programmet är klart.

Display	Sort	Metod
A.1	Potatis	Den valfria vikten är 250 g, 500 g och 750 g
A.2	Pasta	Den valfria vikten är 50 g, 100 g och 150 g
A.3	Pizza	Den valfria vikten är 200 g och 400 g
A.4	Popcorn	Den valfria vikten är 100 g
A.5	Grönsaker	Den valfria vikten är 200 g, 400 g och 600 g
A.6	Dryck	Den valfria vikten är 1 kopp, 2 koppar eller 3 koppar, var och en på cirka 250 ml.
A.7	Kött	Den valfria vikten är 200 g, 400 g och 600 g
A.8	Fisk	Den valfria vikten är 200 g, 400 g och 600 g

CAUTION

- a. Temperaturen på maten före tillagning bör vara 20–25 °C. Högre eller lägre temperatur på maten före tillagning skulle kräva ökning eller minskning av tillagningstiden.
- b. Matens temperatur, vikt och form påverkar i stor utsträckning tillagningseffekten. Om något avviker från det som angetts på menyn ovan kan du justera tillagningstiden för bästa resultat.

TIMER

I standby-läget trycker du på den här knappen för att öppna inställningsgränssnittet. Ikonen för nedräkningsfunktionen och "0:00" visas på skärmen. Vrid på vredet för att ställa in tiden, den maximala tiden som kan ställas in är 60:00. När du har ställt in tiden trycker du på knappen "START/+ 30s" för att starta nedräkningen. En ljudsignal avges för att meddela att nedräkningen är färdig

**UPPVÄRMNING/
ECO UPPVÄRMNING**

Uppvärmningsfunktionen används främst för att underlätta för användare att värma mat beroende på matens vikt, vrid på reglaget för att välja lämplig vikt på livsmedlet, valfria vikter är 200 g, 400 g, 600 g, 800 g och 1 000 g. När du har valt vikt trycker du på "START/+30s" för att börja tillagningen. En ljudsignal hörs när programmet är klart.

ECO

Håll ned värmningsknappen i 3 sekunder i standby-läge för att starta ECO. Displayen stängs av. När du aktiverat ECO kan du trycka på valfri knapp för att stänga av ECO-funktionen..

STOP

När du ställer in tillagningen trycker du på "STOP" för att avbryta inställningarna och återgå till standby-läge. När ugnen går pausar du med "STOP". I standby-läge trycker du på "STOP" igen för att avbryta funktionen och återgå till standby-läget.

START/+30s

När du har ställt in tillagningstiden eller matvikten trycker du på "START/+30s" för att starta mikrovågsugnen direkt. När ugnen går trycker du "START/+30s" för att öka tiden: tryck en gång för att öka med 30 sekunder. I menyläget och avfrostningsläge efter vikt går det inte att justera tiden. I pausläge trycker du på "START/+30s" för att fortsätta mikrovågsugnen före tillagningsläget.

EXPRESS

I vänteläge, efter att maten har satts in och dörren är stängd, trycker du på knappen "START/+ 30s" för att snabbt starta mikrovågsugnen. Standardtiden är 30 sekunder. När mikron används trycker du på knappen "START/+ 30s" en gång för 30 sekunder. En ljudsignal hörs när programmet är klart.

BARNSPÄRRFUNKTION

Använd den här funktionen för att låsa kontrollpanelen när du rengör den eller så att barn inte kan använda ugnen utan tillsyn. I det här läget kan inga knappar användas.

1) Ställa in spärren: I standby-läge trycker du på "STOP" i mer än 3 sekunder, så aktiveras barnspärren och inga knappar i mikrovågsugnen kan användas.

2) Avbryta spärrläget: I barnspärrläget trycker du på "STOP" i mer än 3 sekunder för att avbryta barnspärrfunktionen.

RIKTLINJER FÖR REDSKAP

Vi rekommenderar starkt att du använder behållare som är lämpliga och säkra för mikrovågsugn. Generellt sett är behållare gjorda av värmebeständig keramik, glas eller plast lämpliga för mikrovågsugn. Använd aldrig metallbehållare för tillagning i mikrovågsugn och kombinationstillagning eftersom gnistor sannolikt kommer att uppstå. Du kan tabellen nedan som referens.

Material i behållaren	Mikrovåg	Kommentarer
Värmebeständig keramik	Ja	Använd aldrig keramik som är dekorerad med metallkant eller är glaserad
Värmebeständig plast	Ja	Kan inte användas under långvarig tillagning i mikrovågsugn
Värmebeständigt glas	Ja	
Grillgaller	Nej	
Plastfilm	Ja	Ska inte användas vid tillagning av kött eller kotletter eftersom övertemperaturen kan skada filmen

Följande faktorer kan påverka tillagningsresultatet:

Placering av maten

Placera tjockare områden mot utsidan av tallriken, tunnare delar mot mitten och sprid den jämnt. Undvik att överlappa om möjligt.

Tillagningstidens längd

Börja tillagning med en kort tidsinställning, utvärdera efter att den har gått ut och förläng efter det faktiska behovet. Överkokning kan leda till rök- och brännskador.

Tillaga maten jämnt

Mat som kyckling, hamburgare eller biff bör vändas en gång under tillagningen. Beroende på typ av mat rör du vid behov om från utsidan till mitten av skålen en eller två gånger under tillagningen

Låt stå en tid

Efter tillagningstiderna lämnar du maten i ugnen under tillräcklig tid, vilket gör att den kan slutföra sin tillagningscykel och kylas ner gradvis

Om maten är klar

Matens färg och hårdhet bidrar till avgöra om den är färdig. Detta inkluderar:

- Ånga som kommer ut från alla delar av maten, inte bara kanten
- Delar av fjäderfä kan enkelt flyttas
- Fläsk eller fjäderfä visar inga tecken på blod
- Fisken är ogenomskinlig och kan enkelt delas med en gaffel

Bryning av rätten

När du använder en skål för bryning eller en självuppvärmande behållare placerar du alltid en värmebeständig isolator som en porslinstallrik under den för att förhindra skador på fotringen och den roterande ringen.

Mikrovågssäker plastfolie

När du lagar mat med hög fetthalt ska plastfolien inte komma i kontakt med maten, eftersom den kan smälta

Mikrovågssäkra kokkärl

Vissa mikrovågssäkra köksredskap i plast kanske inte är lämpliga för att laga mat med hög fett- och sockerhalt. Förvärmningstiden som anges i instruktionerna för maträtten får inte heller överskridas

UNDERHÅLL

SERVICE

Kontrollera följande innan du ringer service.

1. Sätt en kopp vatten (ca 150 ml) i ett glasmått i ugnen och stäng luckan ordentligt. Ugnslampan bör släckas om dörren är ordentligt stängd. Låt ugnen vara igång i 1 min.
 2. Tänds ugnslampan?
 3. Fungerar kylfläkten?
(Lägg handen över de bakre ventilationsöppningarna.)
 4. Roterar fotringen?

(Fotringen kan rotera medurs eller moturs. Detta är helt normalt.)

5. Är vattnet inne i ugnen varmt?

Om svaret är "NEJ" på någon av ovanstående frågor kontrollerar du ditt vägguttag och säkringen i elskåpet.

Om både vägguttaget och säkringen fungerar som de ska, **KONTAKTAR DU NÄRMASTE GODKÄNDA SERVICECENTER.**

SKYDDSÅTGÄRDER VID SERVICE

Varning! MIKROVÅGSSTRÅLNING

1. Högspänningskondensatorn förblir laddad efter frånkoppling; kortslut den negativa terminalen på högspänningskondensatorn till ugnschassit (använd en skruvmejsel) för att ladda ur innan du rör vid den.

2. Under service nedan kan visade delar tas bort och ge tillgång till potentialer på över 250 V till jord.

- Magnetron
- Högspänningstransformator
- Högspänningskondensator
- Högspänningsdiod
- Högspänningssäkring

3. Följande tillstånd kan orsaka onödig exponering för mikrovågor under service.

- Felaktig montering av magnetron;
- Felaktig anpassning av dörrlås, dörrgångjärn och dörr;
- Felaktig montering av strömbrytarstöd;
- Dörr, dörrtätning eller hölje har skadats.

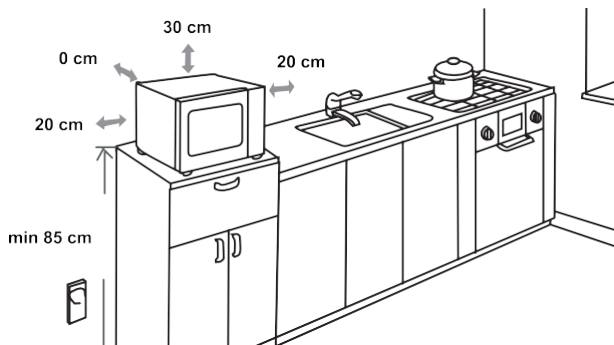
SPECIFIKATIONER

Strömförbrukning	220-240 V ~50 Hz, 1280 W
Uteffekt	800 W
Driftfrekvens	2450 MHz
Yttre mått	480 x 295 x 352 mm
Ugnskapacitet	23 liter
Vikt exkl. emballage	Cirka 11,7 kg
Ljudnivå	L _c ≤ 61 dB (A)



Produkten är märkt enligt EU-direktiv 2012/19/EU om avfall som utgörs av eller innehåller elektrisk och elektronisk utrustning (WEEE). Riktlinjen utgör ramverket för en europeisk giltighetsmärkning för retur och återvinning av WEEE.

MÅTT VID MONTERING



RADIOSTÖRNINGAR

Mikrovågsugnar kan orsaka störningar på radio, TV eller liknande utrustning. Om störningar uppstår kan de förhindras eller minimeras genom att göra på följande sätt.

- a) Rengör ugnsluckan och tätningen.
- b) Ställ radion, TV:n o.s.v. så långt bort från mikrovågsugnen som möjligt.
- c) Använd en korrekt installerad antenn till radion, TV:n o.s.v. för att få en så stark signal som möjligt.

VI FÖRBEHÅLLER OSS RÄTTEN ATT GÖRA
ÄNDRINGAR SOM INTE PÅVERKAR APPARATENS
FUNKTIONALITET.

Hisense

VÁŽENÝ ZÁKAZNÍK

Úprimne vám ďakujeme za váš nákup. Veríme, že čoskoro nájdete dostatok dôkazov, že sa na naše produkty môžete naozaj spoľahnúť. Aby sme uľahčili používanie zariadenia, pripájame tento komplexný návod na použitie.

Pokyny by vám mali pomôcť oboznámiť sa s novým spotrebičom. Pred prvým použitím spotrebiča si ich, prosím, pozorne prečítajte.

V každom prípade sa uistite, že vám bol spotrebič dodaný nepoškodený. Ak zistíte akékoľvek poškodenie spôsobené prepravou, kontaktujte svojho obchodného zástupcu alebo regionálny sklad, odkiaľ bol produkt dodaný. Telefónne číslo nájdete na potvrdení o doručení alebo baliacom liste.

Prajeme vám veľa potešenia z vášho nového domáceho spotrebiča.



Prístroj na domáce použitie na ohrev potravín a nápojov pomocou elektromagnetickej energie, iba na vnútorné použitie.

NÁVOD NA
POUŽITIE

Tieto pokyny sú určené pre používateľa. Opisujú spotrebič a ako ho používať. Sú však určené taktiež pre ostatné podobné typy spotrebičov, preto môžete nájsť niektoré opisy funkcií, ktoré sa na váš spotrebič nemusia vzťahovať.

Vyhradzujeme si právo na akékoľvek zmeny a chyby v návode na použitie.

DÔLEŽITÉ BEZPEČNOSTNÉ POKYNY



Nikdy sa nedotýkajte plôch spotrebičov určených na varenie alebo ohrievanie. Počas prevádzky sa zahrievajú. Udržujte deti v bezpečnej vzdialenosti. Hrozí nebezpečenstvo popálenia!



Zdroj mikrovlnného žiarenia a vysoké napätie. Neodstraňujte kryt.

VAROVANIE! Zariadenie a jeho prístupné časti sa počas používania zahrievajú. Dbajte, aby ste sa nedotkli varných prvkov. Deti mladšie ako 8 rokov by sa k zariadeniu nemali približovať, ak nie sú pod neustálym dohľadom dospelého. Dozrite na to, aby sa so spotrebičom nehrali deti.

Deti staršie ako osem rokov a osoby so zníženými telesnými, zmyslovými a rozumovými schopnosťami či s nedostatkom znalostí a skúseností môžu tento spotrebič používať pod zodpovedajúcim dohľadom, alebo ak boli poučené o bezpečnom používaní spotrebiča a chápu nebezpečenstvá spojené s jeho používaním. Deti sa so spotrebičom nesmú hrať. Čistenie a používateľskú údržbu by nemali vykonávať deti, ak nie sú staršie ako 8 rokov a nie sú pod dohľadom.

Nenechávajte spotrebič a jeho prívodný kábel v dosahu detí mladších ako 8 rokov.

- **VAROVANIE:** Keď prístroj pracuje v kombinovanom režime, môžu ho deti používať iba pod prísny dozor dospelých osôb (Platí len pre prístroje s funkciou grilu).

- **UPOZORNENIE:** Ak sú dvierka alebo tesnenie dvierok poškodené, rúra sa nesmie používať, pokiaľ ju neopraví kvalifikovaná osoba.
- **VAROVANIE:** Akékoľvek opravy, vykonávané pod krytom, ktorý chráni používateľa pred mikrovlnnými lúčmi, sú nebezpečné. Preto vám radíme, aby ste ich prenechali odborníkom.
- **VAROVANIE:** Tekuté alebo iné potraviny neohrievajte vo voľne alebo tesne uzavretých nádobách, pretože môže dôjsť k ich prasknutiu.
- Dozrite na to, aby sa so spotrebičom nehrali deti.
- Neodstraňujte nožičky rúry a neblokujte vetracie otvory rúry.
- Používajte iba riad vhodný na použitie v mikrovlnných rúrach.
- Pri ohrievaní potravín v plastových alebo papierových nádobách rúru kvôli možnosti vznietenia sledujte.
- Ak sa vyskytne dym, ihneď vypnite prístroj a zástrčku vyťahnite zo zásuvky; dvierka nechajte otvorené a prípadný oheň uhasťte.
- Ak v mikrovlnnej rúre ohrievate nápoje, počítajte s tým, že môže byť nápoj v krátkom čase ohriaty na bod varu – preto buďte opatrní.
- Obsah fliaš na kŕmenie a nádob na detskú výživu treba pred konzumáciou premiešať alebo pretrepať a skontrolovať teplotu, aby nedošlo k popáleniu.

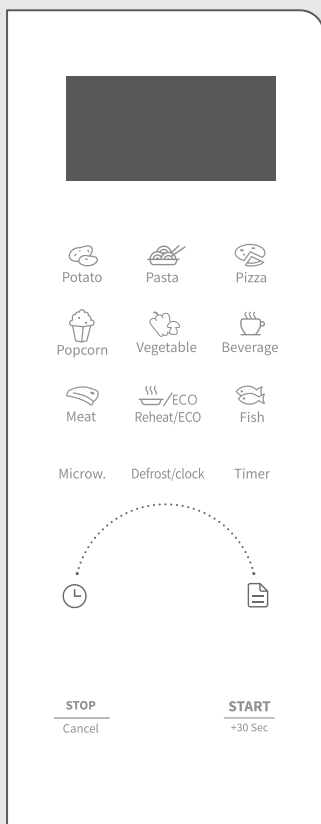
- Vajcia v škrupinke a celé natvrdo uvarené vajcia by sa nemali ohrievať v mikrovlnných rúrach, pretože môžu explodovať, a to aj po ukončení mikrovlnného ohrevu.
- Keď čistíte povrchy dvierok, tesnenie alebo vnútrajšok rúry, používajte iba jemné neabrazívne čistiace prostriedky alebo mydlá a nanášajte ich pomocou hubky alebo jemnej handričky.
- Rúru treba pravidelne čistiť a odstraňovať všetky zvyšky jedla.
- Ak nebudete rúru udržiavať v čistom stave, mohlo by to viesť k zhoršeniu povrchu, čo by mohlo nepriaznivo ovplyvniť životnosť spotrebiča a prípadne viesť k vzniku nebezpečnej situácie.
- Ak je napájací kábel poškodený, musí ho vymeniť výrobca, jeho servisný zástupca alebo podobne kvalifikovaná osoba, aby sa zabránilo nebezpečenstvu.
- Nenechávajte kábel visieť cez okraj stola alebo pracovné dosky.
- Aby ste zabránili nebezpečenstvu, nikdy zariadenie nepripájajte k externému časovému spínaču alebo systému diaľkového ovládania.
- Nikdy sami nevymieňajte žiarovku vnútri rúry. Vždy ju musí vymeniť služba Hisense.
- Nečistite zariadenie parnými čističmi, vysokotlakovými čističmi, ostrými predmetmi, abrazívnymi čistiacimi prostriedkami a hubkami ani odstraňovačmi škvŕn.

V ďalšom texte sú uvedené niektoré pravidlá a bezpečnostné opatrenia, na ktoré, ako aj pri iných prístrojoch, je nutné brať zreteľ, aby prístroj fungoval bezchybne, účinne a dlhodobo bez problémov:

1. Ak je mikrovlnná rúra v činnosti, musí byť sklenený tanier, držiaky valca, spojka a drážky vždy na svojom mieste.
2. Nepoužívajte rúru na žiadne iné účely než na prípravu jedál; v mikrovlnnej rúre nesusťte oblečenie, papier alebo iné predmety a nepoužívajte ju na sterilizáciu.
3. Nikdy nezapínajte rúru, ak je prázdna, pretože by ste ju mohli poškodiť.
4. V mikrovlnnej rúre neskladujte žiadny predmet: napr. papier, recepty atď.
5. Nevarte pokrmy s blanou alebo šupkou, napr. vaječné žĺtky, zemiaky, kuraciu pečeň atď. bez toho, aby ste predtým blanu alebo šupku na viacerých miestach pred varením prepichli.
6. Nevkladajte žiadne predmety do otvorov na vonkajšej strane rúry.
7. Nikdy nedemontujte časti rúry, napr. pätky, zámok, skrutky atď.
8. Nevarte pokrmy priamo na sklenenom tanieri v rúre. Skôr ako pokrm vložíte do rúry, dajte ho do vhodnej nádoby. **DÔLEŽITÉ:** Kuchynský riad, ktorého použitie v mikrovlnnej rúre je zakázané:
 - Nepoužívajte kovové panvice alebo nádoby s kovovými držadlami.
 - Nepoužívajte riad s hranami potiahnutými kovom.
 - Nepoužívajte papierom potiahnuté kovové drôtky na zatváranie igelitových vreciek.
 - Nepoužívajte riad z melamínu, pretože obsahuje materiál, ktorý absorbuje mikrovlnné lúče. To môže spôsobiť, že nádoba praskne alebo sa spáli, okrem toho môže spomaliť proces ohrievania alebo varenia.
 - Nepoužívajte riad bez vhodnej ochrany, ktorá je určená na používanie v mikrovlnnej rúre. Nepoužívajte ani uzavretý riad s rukoväťou.
 - Nepripravujte pokrmy alebo nápoje v riade so zúženým okrajom, napr. fľaša, ktorý môže pri ohrievaní prasknúť.
 - Nepoužívajte klasické teplomery na mäso a cukrovinky.
 - Používať môžete iba teplomery, ktoré sú určené na použitie v mikrovlnných rúrach.
9. Pomôcky pre mikrovlnnú rúru používajte iba v súlade s návodmi ich výrobcu.
10. Nepokúšajte sa v mikrovlnnej rúre smažiť potraviny.
11. Dbajte na to, aby sa v rúre ohrial iba obsah nádoby a nie samotná nádoba, v ktorej sa obsah nachádza.

- Môže sa totiž stať, že po naddvihnutí pokrievky sa obsah v nádobe odparuje alebo z neho striekajú kvapky, hoci samotná pokrievka nie je horúca.
12. Pred použitím vždy skontrolujte teplotu pokrmu, obzvlášť ak je pokrm určený deťom. Odporúčame vám, aby ste nikdy neochutnávali pokrmy priamo z rúry. Najskôr nádobu vyberte a obsah premiešajte, aby sa teplota rovnomerne rozdelila.
 13. Pokrmy, ktoré obsahujú emulziu omastku a vody, napr. polievkový základ, musia v rúre zostať ešte 30 až 60 sekúnd po vypnutí. Vývar prestane vriieť a nebude bublať, ak ho premiešate alebo doň vložíte polievkovú kocku.
 14. Pri príprave pokrmov dávajte pozor, aby sa niektoré druhy pokrmov, napr. vianoční puding, marmeláda alebo mleté mäso, neohriali príliš rýchlo. Na ohrievanie alebo varenie pokrmov, ktoré obsahujú väčšie množstvo tuku, nepoužívajte umelohmotný riad.
 15. Pomôcky, ktoré používate pri príprave pokrmov v mikrovlnnej rúre, sa môžu veľmi zahriať, pretože pokrmy vylučujú teplo. Najmä to platí v prípade, keď je horná časť nádoby prikrytá umelohmotnou pokrievkou alebo krytom. Na prenesenie takej nádoby budete potrebovať kuchynské rukavice.
 16. Aby ste znížili riziko požiaru v mikrovlnnej rúre:
 - a) Neprevárajte jedlo. Dôkladne kontrolujte priebeh ohrievania, ak sa v rúre nachádzajú papierové alebo umelohmotné pomôcky, prípadne riad z horľavého materiálu.
 - b) Skôr ako položíte vrecko do mikrovlnnej rúry, odstráňte drôtičky, ktoré slúžia na jeho uzatváranie.
 - c) Ak predmet v rúre začne horieť, nechajte dvierka rúry zavreté, vypnite rúru, vytiahnite zástrčku zo zásuvky alebo vypnite hlavnú poistku na poistkovom paneli.

OBSLUHA OVLÁDACIEHO PANELU



DISPLEJ

Zobrazuje hodiny, čas varenia a nastavenie.

ROZMRAZOVANIE

Toto tlačidlo použite na rozmrazovanie jedla podľa času a hmotnosti

MIKROV.

Toto tlačidlo použite na výber úrovne mikrovlnného výkonu.

HODINY

Ak chcete nastaviť hodiny, podržte toto tlačidlo na 3 sekundy.

ČASOVAC

Pomocou tohto tlačidla nastavíte funkciu časovača.

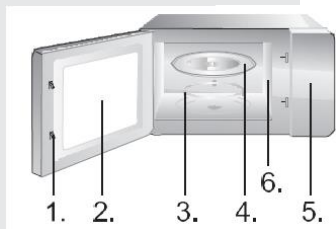
IKONY

Tieto tlačidlá použite na nastavenie času a hmotnosti jedla a na výber programov automatického menu.

ZASTAVIŤ/ZRUŠIŤ

Toto tlačidlo použite na zastavenie alebo zrušenie nastavenia. Podržte 3 sekundy pre detskú poistku **START/+30 SEK**

Pomocou tohto tlačidla môžete rýchlo spustiť varenie po 30 sekundách, predĺžiť čas varenia o 30 sekúnd (každým stlačením) alebo potvrdiť nastavenie varenia.



1. Bezpečnostný systém zamykania dverok
2. Okno rúry
3. Valcový krúžok
4. Sklenený podnos
5. Ovládací panel
6. Vlnovod (neodstraňujte, prosím, sľudovú dosku zakrývajúcu vlnovod)

K dispozícii je desať úrovní mikrovlnného výkonu, 100P, 90P, 80P, 70P, 60P, 50P, 40P, 30P, 20P a 10P, v tomto poradí. Otočením nižšie uvedeného gombíka zvýšite alebo znížite čas varenia, časový rozsah je možné vybrať od 0:10 do 60:00. Po zadaní času varenia začnite prácu stlačením tlačidla „ŠTART/+30s“. Bzučiaci zvuk oznámi ukončenie operácie.

VYSOKÝ	100 % a 90 % výstupný výkon	(Použiteľné na rýchle a dôkladné varenie)
Stredne vysoký	80 % a 70 % výstupný výkon	(Použiteľné pre stredne rýchle varenie)
Stredný	60 % a 50 % výstupný výkon	(Použiteľné na varenie potravín v pare)
Stredne nízky	40 % a 30 % výstupný výkon	(Použiteľné na rozmrazovanie potravín)
NÍZKY	20 % a 10 % výstupný výkon	(Použiteľné na udržanie tepla)

**POZOR**

- a. Maximálny čas, ktorý je možné nastaviť, je 60 minút.
- b. Nikdy nepoužívajte rúru ak je prázdna.
- c. Pri maximálnom mikrovlnnom výkone rúra po určitom čase varenia automaticky zníži výkon, aby sa predĺžila životnosť rúry.
- d. Ak chcete počas prevádzky jedlo otočiť, stlačte raz tlačidlo **ŠTART/+30s**

a nastavený postup prípravy bude pokračovať.

- e. Ak máte v úmysle vybrať jedlo pred stanoveným časom, musíte stlačiť **ZASTAVIŤ/ZRUŠIŤ**. Stlačte jedenkrát tlačidlo ZASTAVIŤ/ZRUŠIŤ a vymaže sa prednastavený postup, aby ste zabránili neúmyselnému použitiu pri ďalšej príprave.

ROZMRAZOVANIE/ HODINY PRE NASTAVENIE ODMRAZOVANIA

K dispozícii sú dva režimy odmrazovania, dEF1 a dEF2, dEF1 pre odmrazovanie podľa hmotnosti a dEF2 pre odmrazovanie podľa času. Stlačením tohto tlačidla vyberte rozmrazovanie podľa hmotnosti alebo podľa času a na displeji sa zobrazí "dEF1" alebo "dEF2". Otočením gombíka vyberte hmotnosť potravín alebo čas rozmrazovania. Rozsah hmotnosti dEF1 je od 100 g do 1500 g a maximálny čas dEF2 je 60:00. Po výbere hmotnosti rozmrazovania začnite prácu stlačením tlačidla „ŠTART/+30s“. Bzučiaci zvuk oznámi ukončenie operácie. V režime rozmrazovania dEF1 podľa hmotnosti sa ozve pípnutie, ktoré vyzve na otočenie jedla počas rozmrazovania.

Nižšie sú uvedené niektoré rady týkajúce sa času rozmrazovania potravín:

dEF1	Na rozmrazovanie je hmotnostný rozsah od 100g do 1500g.
dEF2	Na rozmrazovanie, maximálny čas je 60:00.

POZOR

- a. Aby sa dosiahol jednotný účinok, je potrebné jedlo počas procesu rozmrazovania prevrátiť.
- b. Rozmrazovanie zvyčajne trvá dlhší čas ako konečná príprava jedla.
- c. Ak sa jedlo dá krájať nožom, proces rozmrazovania sa môže považovať za dokončený.
- d. Mikrovlny preniknú do hĺbky 4 cm vo väčšine potravín.
- e. Rozmrazené jedlo by sa malo konzumovať čo najskôr, neodporúča sa preto, aby ste ho znovu umiestnili do chladničky a opätovne zmrazili.

HODINY

(24-hodinový
formát)

V pohotovostnom režime stlačte tlačidlo „ROZMRAZOVANIE/HODINY“ na viac ako 3 sekundy, aby ste vstúpili do rozhrania nastavenia hodín. Súčasne na displeji blikajú hodiny. Hodiny môžete nastaviť otáčaním gombíka. Po nastavení hodín stlačte krátko tlačidlo „ŠTART/+30s“ na prechod do režimu nastavenia minút.

Minúty môžete nastaviť otáčaním gombíka nižšie. Po nastavení minút stlačte znovu tlačidlo „ŠTART/+30s“ na opustenie režimu nastavenia.

AUTOMATICKÉ VARENIE

K dispozícii je osem automatických men A.1~A.8: zemiaky, cestoviny, pizza, pukance, zelenina, nápoje, mäso a ryby. Nepretržitým stláčaním tlačidla „Menu“ vyberte požadovanú ponuku a potom otáčaním ovládača vyberte hmotnosť ponuky. Po zadaní hmotnosti varenia stlačením tlačidla „ŠTART/+30s“ spustíte prevádzku. Bzučiaci zvuk oznámi ukončenie operácie.

Obrazovka	Typ jedla	Metoda
A.1	Zemiaky	Voliteľné hmotnosti sú 250 g, 500 g a 750 g.
A.2	Cestoviny	Voliteľné hmotnosti sú 50 g, 100 g a 150 g.
A.3	Pizza	Voliteľné hmotnosti sú 200 g a 400 g.
A.4	Pukance	Voliteľná hmotnosť je 100g
A.5	Zelenina	Voliteľné hmotnosti sú 200 g, 400 g a 600 g.
A.6	Nápoj	Voliteľná hmotnosť je 1 šálka, 2 šálky alebo 3 šálky, každá s objemom 250 ml.
A.7	Mäso	Voliteľné hmotnosti sú 200 g, 400 g a 600 g.
A.8	Ryby	Voliteľné hmotnosti sú 200 g, 400 g a 600 g.



POZOR

a. Teplota jedla pred varením by mala byť 20-25 °C. Vyššia alebo nižšia teplota jedla pred varením by vyžadovala predĺženie alebo skrátenie času varenia.

b. Teplota, hmotnosť a tvar jedla do značnej miery ovplyvnia efekt varenia. Ak bola zistená akákoľvek odchýlka od faktora uvedeného vo vyššie uvedenej ponuke, môžete upraviť čas varenia na dosiahnutie najlepších výsledkov.

ČASOVAČ

V pohotovostnom režime stlačením tohto tlačidla vstúpíte do rozhrania nastavenia a na displeji sa zobrazí ikona funkcie odpočítavania a „0:00“. Otáčaním gombíka nastavte čas, maximálny čas, ktorý je možné zadať, je 60:00. Po nastavení času stlačte tlačidlo ŠTART/+30s pre zahájenie odpočítavania. Bzučiaci zvuk oznámi ukončenie odpočítavania

**DOHRIEVANIE/EC
O DOHRIEVANIE**

Funkcia opätovného ohrevu slúži hlavne na uľahčenie ohrievania jedla podľa hmotnosti jedla. Otáčaním gombíka vyberte vhodnú hmotnosť potraviny, voliteľné hmotnosti sú 200 g, 400 g, 600 g, 800 g a 1 000 g. Po výbere hmotnosti stlačte tlačidlo „ŠTART/+30s“, aby ste mohli začať pracovať. Bzučiaci zvuk oznámi ukončenie operácie.

ECO

V pohotovostnom režime stlačte a na 3 sekundy podržte tlačidlo Dohrievanie, čím zapnete režim ECO. Displej sa vypne. Keď zapnete funkciu ECO, stlačte akékoľvek tlačidlo, aby ste funkciu ECO vypli.

STOP

V procese nastavovania varenia môžete stlačením tlačidla „STOP“ zrušiť nastavenie a vrátiť sa do pohotovostného stavu. V procese mikrovlnnej rúry môžete prácu pozastaviť stlačením tlačidla „STOP“. V pohotovostnom stave môžete opätovným stlačením tlačidla „STOP“ funkciu zrušiť a vrátiť sa do pohotovostného stavu.

ŠTART/+30s

Po nastavení času varenia alebo hmotnosti jedla stlačte tlačidlo „ŠTART/+30s“ na okamžité spustenie mikrovlnnej rúry. Pri prevádzke môžete stlačením tlačidla „ŠTART/+30s“ predĺžiť čas, jedným stlačením pridať 30 sekúnd, ale režim ponuky a režim rozmrazovania hmotnosti nemôžu čas upraviť. V stave pauzy môžete stlačením tlačidla „ŠTART/+30s“ pokračovať v mikrovlnnej rúre pred režimom varenia.

EXPRES

V pohotovostnom režime po vložení jedla a zatvorení dvierok stlačte tlačidlo „ŠTART/+30s“, aby ste mikrovlnnú rúru rýchlo spustili. Predvolený pracovný čas je 30 sekúnd. Počas prevádzky stlačte raz tlačidlo „ŠTART/+30s“ na 30 sekúnd. Bzučiaci zvuk oznámi ukončenie operácie.

FUNKCIA DETSKÉHO ZÁMKU

Túto funkciu použite na uzamknutie ovládacieho panela pri čistení alebo na to, aby deti nemohli rúru používať bez dozoru. V tomto režime sú všetky tlačidlá nefunkčné.

- 1) Nastavenie zámky: V pohotovostnom režime stlačte tlačidlo "STOP" na dlhšie než 3 sekundy, funkcia detskej zámky sa aktivuje a všetky tlačidlá mikrovlnnej rúry nie je možné ovládať.
- 2) Zrušenie zámky: V stave detskej poistky stlačte tlačidlo "STOP" na dlhšie než 3 sekundy na zrušenie funkcie detskej poistky.

NÁDOBY NA OHRIEVANIE POTRAVÍN

Dôrazne sa odporúča používať len také nádoby, ktoré sú vhodné na bezpečné použitie v mikrovlnných rúrach. Všeobecne možno povedať, že nádoby, ktoré sú vyrobené z tepelne odolnej keramiky, skla alebo plastu, sú vhodné pre varenie v mikrovlnnej rúre. Na ohrievanie nikdy nepoužívajte kovové nádoby, pretože pri ohrievaní by mohli vznikáť iskry. Bližšie informácie nájdete v nižšie uvedenej tabuľke.

Materiál nádoby	Mikrovlnná rúra	Poznámky
Tepelne odolná keramika	Áno	Nikdy nepoužívajte keramiku, ktorá je zdobená kovovým okrajom alebo je glazovaná.
Tepelne odolný plast	Áno	Nepoužívajte na dlhodobé varenie.
Tepelne odolné sklo	Áno	
Grilovací rošt	Nie	Grilovací rošt možno použiť iba v režime grilovania a kombinovanom režime.
Plastová fólia	Áno	Nepoužívajte na ohrievanie ani varenie mäsa, pretože by sa nadmernou teplotou mohla fólia poškodiť.

Nasledujúce faktory ovplyvňujú výsledok varenia:

Usporiadanie potravín

Hrubé kúsky uložte na okraj varnej nádoby, tenšie kúsky do stredu. Kúsky rozložte rovnomerne, nemali by sa krížiť nad seba.

Doba ohrevu

Začnite krátkou dobou ohrevu. Skontrolujte výsledok, podľa toho upravte zvyšný čas. Prevarenie môže viesť k tvorbe dymu a požiaru.

Rovnomerné varenie

Potraviny – ako kura, hamburger alebo steaky – počas ohrevu obráťte.

V závislosti od typu jedla, ak je to vhodné, počas varenia raz alebo dvakrát premiešajte zvonku do stredu nádoby

Nechajte odstáť

Po uplynutí času varenia nechajte jedlo v rúre dostatočne dlho, aby sa mohol dokončiť cyklus varenia a postupne sa vychladilo.

Ak je jedlo hotové

Farba a tvrdosť potravín pomáhajú určiť, kedy sú hotové. Okrem iného:

- z hotovej potraviny stúpa rovnomerne para zo všetkých častí,
- kĺbmi hydiny sa dá ľahko pohybovať
- bravčové alebo hydinové mäso nevykazuje žiadne známky krvi
- ryba je neprehľadná a dá sa vidličkou ľahko deliť.

Nádoba na pečenie

Keď používate nádobu na pečenie alebo samoohrievaciu nádobu, vždy pod ňu umiestnite tepelne odolný izolátor, napríklad porcelánový tanier, aby ste predišli poškodeniu otočného taniera a otočného prstenca.

Plastový obal vhodný do mikrovlnnej rúry

Pri varení jedla s vysokým obsahom tuku nedovoľte, aby sa plastový obal dostal do kontaktu s jedlom, pretože by sa mohol roztopiť

Plastový riad vhodný do mikrovlnnej rúry

Niektoré plastové nádoby vhodné do mikrovlnnej rúry nemusia byť vhodné na varenie jedál s vysokým obsahom tuku a cukru. Tiež nesmie byť prekročený čas predohrevu uvedený v návode na obsluhu riadu

ÚDRŽBA

SERVIS

Kým zavoláte servis, skontrolujte nasledujúce.

1. Vložte jednu šálku vody (približne 150 ml) do sklenenej odmerky do rúry a pevne zatvorte dvierka. Osvetlenie rúry by malo zhasnúť, ak sú dvierka správne zatvorené. Rúru nechajte pracovať 1 min.
2. Svieti žiarovka rúry?
3. Funguje chladiaci ventilátor?
(Položte ruku na zadné ventilačné otvory.)
4. Otáča sa otočný tanier?

(Otočný tanier sa môže otáčať v smere alebo proti smeru hodinových ručičiek. Je to celkom normálne.)

5. Je voda vnútri rúry horúca?

Ak je odpoveď na niektorú z vyššie uvedených otázok „NIE“, prosím

skontrolujte zásuvku a poistku v elektromere.

Ak zásuvka aj poistka fungujú správne,
**KONTAKTUJTE NAJBLIŽŠIE SCHVÁLENÉ
SERVISNÉ CENTRUM.**

SERVISNÁ ZÁRUKA

Pozor: MIKROVLNNÉ ŽIARENIE

1. Vysokonapäťový kondenzátor zostáva po odpojení nabitý; skratujte zápornú svorku vysokonapäťového kondenzátora k šasi rúry (použite skrutkovač), aby sa pred dotykomb vybila.

2. Počas servisu môžu byť nižšie uvedené diely odstránené a umožniť prístup k potenciálu nad 250 V k zemi.

- Magnetron
- Vysokonapäťový transformátor
- Vysokonapäťový kondenzátor
- Vysokonapäťová dióda
- Vysokonapäťová poistka

3. Nasledujúce podmienky môžu spôsobiť neprimerané vystavenie mikrovlnám počas servisu.

- Nesprávna montáž magnetrónu;
- Nesprávne zladenie dverného zámku, dverného závesu a dverí;
- Nesprávna montáž držiaka spínača;
- Došlo k poškodeniu dverí, tesneniu dverí alebo krytu.

ŠPECIFIKÁCIA

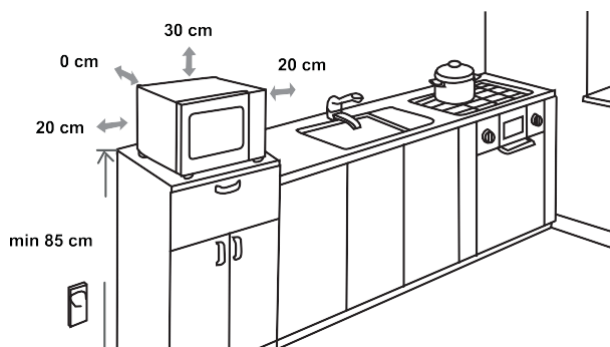
Spotreba el. energie	220-240 V ~50 Hz, 1280 W
Výkon	800 W
Pracovná frekvencia	2450 MHz
Vonkajšie rozmery	480×295×352mm
Objem rúry	23 litrov
Hmotnosť bez obalu	približne 11.7kg
Hladina hluku.....	Lc ≤61 dB (A)



Tento spotrebič je označený v súlade s Európskou smernicou 2012/19/EÚ o odpade z elektrických a elektronických zariadení (OEEZ).

Táto smernica tvorí rámec pre recyklovanie odpadu z elektrických a elektronických zariadení platný pre celú Európu.

MONTÁŽNE ROZMERY



RUŠENIE PRÍJMU RÁDIA

Mikrovlnná rúra môže spôsobiť rušenie vášho rádia, TV alebo podobného zariadenia. Ak nastane takéto rušenie môžete ho odstrániť alebo znížiť nasledovnými opatreniami.

- a) Vyčistite dvere a tesnenie rúry.
- b) Rádio, TV, atď. umiestnite čo najďalej od mikrovlnnej rúry.
- c) Na dosiahnutie silného signálu, použite pre vaše rádio, TV, atď. správne nainštalovanú anténu.

VYHRADZUJEME SI PRÁVO VYKONAŤ AKÉKOĽVEK
ZMENY, KTORÉ NEOVPLYVNIA FUNKČNOSŤ
SPOTREBIČA.

Hisense

SPOŠTOVANI KUPEC

Iskreno se vam zahvaljujemo za vaš nakup. Prepričani smo, da se boste kmalu še sami prepričali, da se lahko resnično zanesete na naše izdelke. Da bi olajšali uporabo naprave, vam prilagamo ta izčrpna navodila za uporabo.

Navodila vam bodo pomagala pri seznanjanju s svojo novo napravo. Prosimo, da jih pred prvo uporabo naprave natančno preberete.

V vsakem primeru preverite, da je bila naprava dostavljena nepoškodovana. Če opazite kakršno koli škodo, ki je nastala med prevozom, se obrnite na svojega prodajnega zastopnika ali regionalno skladišče, od koder je bil izdelek dostavljen. Telefonsko številko boste našli na računu ali poročilu o dostavi.

Želimo vam veliko zadovoljstva z vašim novim gospodinjskim aparatom.



Naprava za gospodinjsko uporabo za ogrevanje hrane in pijač z uporabo elektromagnetne energije, samo za notranjo uporabo.

NAVODILA ZA
UPORABO

Ta navodila so namenjena uporabniku.

Opisujejo pečico in kako jo uporabljati. Uporabljajo se za različne vrste naprav, zato boste morda našli nekaj opisov funkcij, ki morda ne veljajo za vašo napravo.

Pridružujemo si pravico do morebitnih sprememb in napak v navodilih za uporabo.



Nikoli se ne dotikajte površin grelnih ali kuhalnih aparatov. Med delovanjem bodo postali vroči. Otroci naj se ne približujejo napravi. Obstaja nevarnost opeklin!



Mikrovalovna energija in visoka napetost! Ne odstranjujte pokrova.

OPOZORILO! Naprava in njeni dostopni deli se med uporabo segrejejo. Paziti je treba, da se ne dotikate grelnih elementov. Otroci, mlajši od 8 let, naj bodo ves čas pod nadzorom. Otroke je treba nadzorovati in zagotoviti, da se ne igrajo z napravo.

To napravo lahko uporabljajo otroci, stari 8 let in več, in osebe z zmanjšanimi fizičnimi, čutilnimi ali mentalnimi zmožnostmi ali osebe brez izkušenj ali znanja, če so pravilno nadzorovani(e) ali če so prejeli(e) navodila o varni uporabi naprave in razumejo tveganje, ki ga s tem prevzemajo. Otroci naj se ne igrajo z napravo. Otroci naj ne izvajajo vzdrževalnih in čistilnih del, razen če so starejši od 8 let in ustrezno nadzorovani.

Napravo in njen napajalni kabel držite zunaj dosega otrok, mlajših od 8 let.

- **OPOZORILO:** Ko naprava deluje v kombiniranem načinu, smejo otroci pečico uporabljati samo pod nadzorom odrasle osebe zaradi ustvarjene temperature; (samo za model s funkcijo žara)

- **OPOZORILO:** Če so vrata ali tesnila vrat poškodovana, pečice ne smete uporabljati, dokler je ne popravi ustrezno usposobljena oseba;
- **OPOZORILO:** Servisne posege ali popravila naprave, pri katerih je treba sneti zaščitne pokrove, ki ščitijo pred mikrovalovnim sevanjem, sme izvajati le ustrezno usposobljen serviser, saj je sicer takšen poseg izjemno nevaren;
- **OPOZORILO:** Tekočin in druge hrane nikoli ne segrevajte v tesno zaprtih posodah, saj lahko te eksplodirajo.
- Otroke je treba nadzorovati in zagotoviti, da se ne igrajo z napravo.
- Ne odstranjujte nog pečice in ne blokirajte zračnikov.
- Uporabljajte le pripomočke, ki so primerni za uporabo v mikrovalovni pečici.
- Pri segrevanju hrane v plastičnih ali papirnatih posodah bodite pozorni na pečico zaradi možnosti vžiga;
- Če opazite dim, izklopite ali izključite napravo in ne odpirajte vrat pečice, da zadušite plamen;
- Segrevanje pijač z mikrovalovi lahko povzroči zapoznelo eruptivno reakcijo, zato je treba paziti pri ravnanju s posodo;
- Vsebino stekleničk za hranjenje in kozarcev za otroško hrano je treba premešati ali pretresti in pred zaužitjem preveriti temperaturo, da se preprečijo opekline;

- Jajca v lupini in cela trdo kuhana jajca se ne smejo segrevati v mikrovalovnih pečicah, ker lahko eksplodirajo, tudi po koncu mikrovalovnega ogrevanja;
- Pri čiščenju površin vrat, tesnil vrat in notranjosti pečice uporabljajte samo blaga, neabrazivna mila ali detergente, ki jih nanesete z gobico ali mehko krpo.
- Redno čistite pečico in iz nje odstranite vse ostanke hrane;
- Če ne vzdržujete čistoče v pečici, lahko to privede do propadanja njenih površin, to pa lahko negativno vpliva na življenjsko dobo naprave ter privede do potencialno nevarnih situacij;
- Če je električni kabel poškodovan, ga mora proizvajalec, njegov servisni zastopnik ali podobno usposobljena oseba zamenjati, da ne pride do nevarnosti.
- Kabel ne sme viseti čez rob mize ali delovne površine.
- Naprave nikoli ne priključite na zunanje časovno stikalo ali sistem daljinskega upravljanja, da se izognete nevarnim situacijam.
- Nikoli ne zamenjajte žarnice v notranjosti pečice. Vedno jo mora zamenjati serviser Hisense.
- Naprave ne čistite s parnimi čistilniki, visokotlačnimi čistilniki, ostrimi predmeti, abrazivnimi čistilnimi sredstvi ter abrazivnimi gobicami in odstranjevalci madežev.

Spodaj so, tako kot pri vseh napravah, določena pravila, ki jih je treba upoštevati, in zaščitni ukrepi za zagotovitev najboljšega delovanja pečice:

1. Pri uporabi pečice imejte vedno nameščen stekleni pladenj, ročice valjev, sklopko in vodilne tirnice.
2. Pečice ne uporabljajte iz kakršnega koli drugega razloga, kot je priprava hrane, na primer za sušenje oblačil, papirja ali drugih neživilskih predmetov ali za sterilizacijo.
3. Pečice ne uporabljajte, ko je prazna. To lahko poškoduje pečico.
4. Ne uporabljajte pečice za kakršno koli shranjevanje, npr. papirja, kuharskih knjig itd.
5. Ne kuhajte hrane, obdane z membrano, kot so jajčni rumenjaki, krompir, piščančja jetra itd., ne da bi živilo prej večkrat prebodli z vilicami.
6. Ne vstavljajte nobenega predmeta v odprtine na zunanjem ohišju.
7. Nikoli ne odstranjujte delov iz pečice, kot so noge, spojke, vijaki itd.
8. Hrane ne kuhajte neposredno na steklenem pladnju. Hrano položite v/na ustrezno posodo za kuhanje, preden jo položite v pečico.

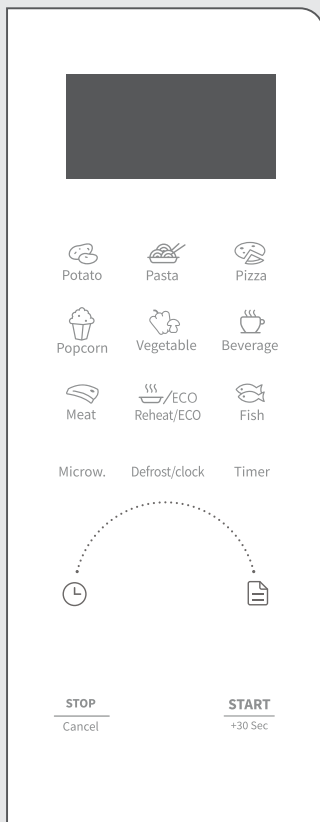
POMEMBNO - POSODE, KI JIH NE SMETE UPORABLJATI V MIKROVALOVNI PEČICI

- Ne uporabljajte kovinskih posod ali posod s kovinskimi ročaji.
 - Ne uporabljajte posode ali pripomočkov s kovinskimi oblogami.
 - Na plastičnih vrečkah ne uporabljajte žičnih spojke, prekritih s papirjem.
 - Ne uporabljajte melaminskih posod, saj vsebujejo material, ki bo absorbiral mikrovalovno energijo. To lahko povzroči, da posode razpokajo ali zoglejijo, kar med drugim tudi upočasni hitrost kuhanja.
 - Ne uporabljajte namiznega pribora Centura. Njegova prevleka namreč ni primerna za uporabo v mikrovalovni pečici. Ne uporabljajte posode Corelle Livingware z zaprtimi ročaji.
 - Ne kuhajte v posodi z omejeno odprtino, kot so steklenice z zamaškom ali zaprte steklenice, ker lahko eksplodirajo, če se segrejejo v mikrovalovni pečici.
 - Ne uporabljajte običajnih termometrov za meso.
 - Na voljo so posebni termometri za kuhanje v mikrovalovni pečici. Ti se lahko uporabijo.
9. Pripomočke za mikrovalovno pečico uporabljajte samo v skladu z navodili proizvajalca.
 10. V tej pečici ne poskušajte cvrti hrane.
 11. Ne pozabite, da mikrovalovna pečica segreva le tekočino v posodi in ne posode same. Zato, čeprav pokrov posode ni

vroč na dotik, ko ga vzamete iz pečice, ne pozabite, da bo hrana/tekočina v posodi sprostila enako količino pare in/ali vroče tekočine, ko odstranite pokrov, kot pri običajnem kuhanju.

12. Vedno preizkusite temperaturo kuhane hrane sami, še posebej, če ogrevate ali kuhate hrano/tekočino za dojenčke. Priporočljivo je, da nikoli ne zaužijete hrane/tekočine neposredno iz pečice, ampak pustite, da stoji nekaj minut in premešate hrano/tekočino, da enakomerno porazdelite toploto.
13. Živila, ki vsebujejo mešanico maščobe in vode, npr. jušna osnova, morajo po izklopu stati v pečici 30-60 sekund. To omogoča, da se zmes usede in prepreči penjenje, ko damo žlico v hrano/tekočino ali dodamo kocko z jušno osnovo.
14. Pri pripravi/kuhanju hrane/tekočine ne pozabite, da obstajajo določena živila, npr. narastki, marmelada in mleto meso, ki se zelo hitro segrejejo. Pri segrevanju ali kuhanju živil z visoko vsebnostjo maščob ali sladkorja ne uporabljajte plastičnih posod.
15. Kuhinjski pripomočki se lahko segrejejo zaradi toplote, ki se prenaša iz ogrevane hrane. To še posebej velja, če plastična folija pokriva vrh in ročaje pripomočka. Za rokovanje s posodo bodo morda potrebna držala.
16. Za zmanjšanje nevarnosti požara v pečici:
 - a) Ne prekuhajte hrane. Z mikrovalovno pečico ravnejte previdno, če so v pečico nameščeni papir, plastika ali drugi gorljivi materiali, ki olajšajo kuhanje.
 - b) Preden vrečko položite v pečico, z nje odstranite papirnate spojke.
 - c) Če se materiali v pečici vnamejo, pustite vrata pečice zaprta, izklopite pečico na stenskem stikalu ali izklopite napajanje na plošči varovalke ali odklopnika.

DELOVANJE NADZORNE PLOŠČE



ZASLON

Prikazuje uro, čas kuhanja in nastavitvev.

ODMRZOVANJE

S to tipko odmrzujete hrano glede na čas in težo.

MICROW.

S to tipko izberite stopnjo moči mikrovalovne pečice.

URA

Držite to tipko 3 sekunde, da nastavite uro.

ČASOVNIK

S to tipko nastavite funkcijo časovnika.

IKONE

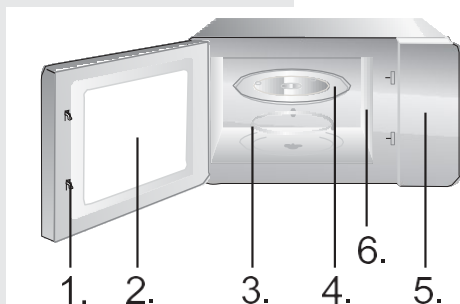
S temi tipkami nastavite čas in težo hrane ter izberite programe samodejnega menija.

USTAVI/PREKLIČI

S to tipko ustavite ali prekličite nastavitvev. Držite 3 sekunde za aktivacijo otroške zaščite.

ZAČNI/+30 SEK.

S to tipko lahko hitro začnete kuhati 30 sekund, podaljšate čas kuhanja za 30 sekund (pri vsakem dotiku) ali potrdite nastavitve kuhanja.



1. Sistem za zaklepanje vrat
2. Okno pečice
3. Vrtljivi obroč
4. Stekljeni pladenj
5. Nadzorna plošča
6. Valovni vodnik (ne odstranjujte sljudne ploščice, ki pokriva valovni vodnik)

Na voljo je deset stopenj mikrovalovne moči, 100P, 90P, 80P, 70P, 60P, 50P, 40P, 30P, 20P in 10P. Če želite podaljšati ali skrajšati čas kuhanja, obrnite spodnji gumb. Časovni razpon se lahko nastavi med 10 sekundami in 60 minutami (0:10 in 60:00). Ko izberete čas, pritisnite gumb "ZAČNI/+30s" za začetek delovanja. Zvočni alarm vas bo obvestil o zaključku delovanja.

VISOKA MOČ	100-% in 90-% izhodna moč	(Primerno za hitro in temeljito kuhanje)
Srednje visoka moč	80-% in 70-% izhodna moč	(Primerna za srednje hitro kuhanje)
Srednja moč	60-% in 50-% izhodna moč	(Primerna za kuhanje s paro)
Srednje nizka moč	40-% in 30-% izhodna moč	(Primerna za odmrzovanje živil)
NIZKA MOČ	20-% in 10-% izhodna moč	(Primerna za pogrevanje)

 **POZOR**

- a. Najdaljši čas, ki ga lahko nastavite, je 60 minut.
- b. Pečice nikoli ne uporabljajte prazne.
- c. Pri največji moči mikrovalovne pečice bo pečica samodejno zmanjšala moč po določenem času kuhanja, da podaljša življenjsko dobo.
- d. Če med delovanjem želite obrniti hrano v pečici, enkrat pritisnite gumb **ZAČNI/+30s** in prednastavljeni postopek kuhanja se bo nadaljeval.

**ODMRZOVANJE
GLEDE NA TEŽO/
ODMRZOVANJE
GLEDE NA ČAS**

e. Če nameravate hrano odstraniti pred pretekom nastavljenega časa, enkrat pritisnite gumb **USTAVI/PREKLIČI**, da odstranite prednastavljeni postopek in se tako izognete nenamernemu začetku delovanja naslednjič, ko boste uporabili pečico.

Obstajata dva načina odmrzovanja, dEF1 in dEF2. dEF1 pomeni odmrzovanje glede na težo, dEF2 pa odmrzovanje glede na čas. Pritisnite ta gumb, da izberete odmrzovanje po teži ali času, na zaslonu pa se prikaže "dEF1" ali "dEF2". Obrnite gumb, da izberete težo hrane ali čas odmrzovanja. Razpon teže pri dEF1 je od 100 do 1500 g, najdaljši čas pri dEF2 pa je 60 minut (60:00). Ko izberete težo ali čas odmrzovanja, pritisnite gumb "ZAČNI/+30s", da začnete z delovanjem. Zvočni alarm vas bo obvestil o zaključku delovanja. Med načinom odmrzovanja dEF1 po teži boste zaslišali piskajoč zvok, ki vas bo pozval, da obrnete hrano med odmrzovanjem.

Spodaj je nekaj splošnih nasvetov glede odmrzovanja hrane:

dEF1	Pri tem načinu odmrzovanja lahko težo nastavite med 100 in 1500 g.
dEF2	Najdaljši možni čas odmrzovanja je 60 minut (60:00).

 **POZOR**

- a. Med delovanjem je treba hrano obrniti, da se doseže enakomeren učinek.
- b. Običajno bo odmrzovanje trajalo dlje kot kuhanje hrane.
- c. Če je hrano mogoče rezati z nožem, to običajno pomeni, da je postopek odmrzovanja končan.
- d. Mikrovalovna pečica prodre približno 4 cm globoko v večino hrane.
- e. Odmrznjeno hrano je treba zaužiti čim prej. Ni priporočljivo, da jo postavite nazaj v hladilnik in ponovno zamrznete.

URA (24-urni način)

V stanju pripravljenosti pritisnite in držite gumb "ODMRZOVANJE/URA" vsaj 3 sekunde, da vstopite v vmesnik za nastavitve ure. Prikaz ure na zaslonu bo začel utripati. Ura se lahko nastavi z obračanjem gumba. Po nastavitvi ure na kratko pritisnite gumb "ZAČNI/+30s", da preklopite v način nastavitve minut.

Minute lahko nastavite z obračanjem gumba. Po nastavitvi minut ponovno pritisnite gumb "ZAČNI/+30s", da zapustite način nastavitve.

SAMODEJNO KUHANJE

Obstaja osem avtomatskih menijev A.1 ~ A.8, ki so Krompir, Testenine, Pica, Pokovka, Zelenjava, Pijača, Meso in Ribe. Pritiskajte gumb "Meni", dokler ne najdete zelenega menija, nato obrnite gumb, da določite težo. Po izbiri teže kuhanja pritisnite gumb "ZAČNI/+30s" za začetek delovanja. Zvočni alarm vas bo obvestil o zaključku delovanja.

Prikaz na zaslonu	Vrsta	Metoda
A.1	Krompir	Možnosti izbire teže so 250 g, 500 g in 750 g.
A.2	Testenine	Možnosti izbire teže so 50 g, 100 g in 150 g.
A.3	Pica	Možnosti izbire teže sta 200 g in 400 g.
A.4	Pokovka	Možnost izbire teže je 100 g.
A.5	Zelenjava	Možnosti izbire teže 200 g, 400 g in 600 g.
A.6	Pijača	Možnosti izbire teže so 1 skodelica, 2 skodelici ali 3 skodelice, vsaka skodelica znaša približno 250 ml.
A.7	Meso	Možnosti izbire teže 200 g, 400 g in 600 g.
A.8	Ribe	Možnosti izbire teže 200 g, 400 g in 600 g.

 **POZOR**

- a. Temperatura hrane pred kuhanjem je naj med 20 in 25 °C. Višja ali nižja temperatura hrane pred kuhanjem bo zahtevala podaljšanje ali skrajšanje časa kuhanja.
- b. Temperatura, teža in oblika hrane bodo v veliki meri vplivali na učinek kuhanja. Če ste ugotovili kakršno koli odstopanje od dejavnikov, navedenih v zgornjem meniju, lahko prilagodite čas kuhanja za najboljši rezultat.

ČASOVNIK

V načinu pripravljenosti pritisnite ta gumb, da vstopite v vmesnik za nastavitve, na zaslonu pa se prikaže ikona funkcije časovnika in "0:00". Obrnite gumb, da nastavite čas; največja vrednost časa, ki jo lahko vnesete, je 60 minut (60:00). Po nastavitvi časa pritisnite gumb "ZAČNI/+30s", da začnete odštevanje. Zvočni alarm vas bo obvestil o zaključku odštevanja časa.

**POGREVANJE/
ECO-POGREVANJE**

Funkcija ponovnega pogrevanja omogoči uporabnikom, da pogrejejo hrano glede na težo hrane; obrnite gumb, da izberete ustrezno težo hrane, ponujene možnosti so 200 g, 400 g, 600 g, 800 g in 1000 g. Ko izberete težo, pritisnite gumb "ZAČNI/+30s" za začetek delovanja. Zvočni alarm vas bo obvestil o zaključku delovanja.

ECO

V stanju pripravljenosti pritisnite in držite gumb za pogrevanje za 3 sekunde, da vklopite način ECO, in zaslon se bo izklopil. Ko je način ECO vklopljen, pritisnite kateri koli gumb, da izklopite funkcijo ECO.

ZAUSTAVITEV

Med nastavitvijo kuhanja lahko pritisnete gumb "USTAVI", da prekličete nastavitve in se vrnete v stanje pripravljenosti. Med delovanjem mikrovalovne pečice lahko pritisnete gumb "USTAVI" za premor. V stanju pripravljenosti lahko ponovno pritisnete gumb "USTAVI", da prekličete funkcijo in se vrnete v stanje pripravljenosti.

ZAČETEK/+30s

Po nastavitvi časa kuhanja ali teže hrane pritisnite gumb "ZAČNI/+30s", da takoj zaženete mikrovalovno pečico. Med delovanjem pečice lahko pritisnete gumb "ZAČNI/+30s", da podaljšate čas. Pritisnite enkrat, da ga podaljšate za 30 sekund, vendar pa ga ne morete podaljšati v načinu menija in načinu odmrzovanja po teži. V stanju mirovanja lahko pritisnete gumb "ZAČNI/+30s", da nadaljujete z delovanjem mikrovalovne pečice pred načinom kuhanja.

EXPRESS

V stanju pripravljenosti, ko je hrana postavljena v pečico in so vrata zaprta, pritisnite gumb "ZAČNI/+30s", da hitro zaženete mikrovalovno pečico. Privzeti delovni čas je 30 sekund. Med delovanjem pečice enkrat pritisnite gumb "ZAČNI/+30s" za dodatnih 30 sekund. Zvočni alarm vas bo obvestil o zaključku delovanja.

OTROŠKA ZAŠČITA

S to funkcijo zaklenete nadzorno ploščo med čiščenjem ali da otrokom preprečite nenadzorovano uporabo pečice. V tem načinu so vsi gumbi onemogočeni.

1) Nastavite zaščito: V stanju pripravljenosti pritisnite gumb "USTAVI" za vsaj 3 sekunde. Funkcija otroške zaščite se aktivira in gumbov mikrovalovne pečice ni mogoče upravljati.

2) Odklenite zaščito: V stanju aktivirane otroške zaščite pritisnite gumb "USTAVI" za vsaj 3 sekunde, da prekličete funkcijo otroške zaščite.

NAVODILA ZA POSODO

Močno priporočamo uporabo posod, ki so primerne in varne za kuhanje v mikrovalovni pečici. Na splošno so posode, ki so izdelane iz toplotno odporne keramike, stekla ali plastike, primerne za kuhanje v mikrovalovni pečici. Nikoli ne uporabljajte kovinskih posod za kuhanje v mikrovalovni pečici in kombinirano kuhanje, saj je verjetno, da bo prišlo do iskrenja. Pomagate si lahko s spodnjo tabelo.

Material posode	Kuhanje z mikrovalovi	Opombe
Keramika, odporna proti vročini	Da	Nikoli ne uporabljajte keramike, ki je okrašena s kovinskim obročem ali položena
Plastika, odporna proti vročini	Da	Ne sme se dolgo časa uporabljati za mikrovalovno kuhanje
Steklo, odporno proti vročini	Da	
Rešetka za žar	Ne	
Plastična folija	Da	Ne sme se uporabljati pri kuhanju mesa ali kotleto, saj lahko previsoka temperatura poškoduje folijo

Na rezultat kuhanja lahko vplivajo naslednji dejavniki:

Razporeditev živil

Debelejše dele živil postavite bolj k robu posode, tanjše dele pa po sredini in jih enakomerno razporedite. Ne nalagajte jih drug na drugega, če je mogoče.

Čas kuhanja

Začnite kuhati s kratko nastavitvijo časa, jo ocenite po tem, ko se izteče, in jo podaljšajte glede na dejanske potrebe. Prekomerno kuhanje lahko povzroči dim in opekline.

Enakomerno kuhanje hrane

Med kuhanjem je treba hrano, kot so piščanec, hamburger ali zrezek, enkrat obrniti.

Hrano med kuhanjem po potrebi enkrat ali dvakrat premešajte od zunaj do središča posode.

Pustite hrani, naj počiva

Ko se čas kuhanja izteče, pustite hrano v pečici dovolj dolgo, da ji omogočite, da konča svoj cikel kuhanja in se postopoma ohladi.

Znaki, da je hrana pripravljena

Barva in čvrstost hrane pomagata ugotoviti, ali je pripravljena, to vključuje:

- Para, ki prihaja iz vseh delov hrane, ne samo z roba
- Dele perutnine lahko zlahka premikate
- Svinjina ali perutnina ne kaže znakov krvi
- Ribe so neprozorne in jih je mogoče enostavno rezati z vilicami

Posoda za peko

Pri uporabi posode za peko ali samosegrevajoče posode vedno postavite pod njo toplotno odporen izolator, kot je porcelanska plošča, da preprečite poškodbe vrtljive plošče in obroča.

Plastična folija, ki je primerna za uporabo v mikrovalovni pečici

Pri kuhanju živil z visoko vsebnostjo maščob ne dovolite, da bi plastična folija prišla v stik z živilom, saj se lahko stopi.

Plastična posoda, ki je primerna za uporabo v mikrovalovni pečici

Nekatere plastične posode, ki so primerne za uporabo v mikrovalovni pečici, morda niso primerne za kuhanje živil z visoko vsebnostjo maščob in sladkorja. Prav tako ne smete prekoračiti časa predgrevanja, določenega v navodilih za uporabo posode.

VZDRŽEVANJE

SERVIS

Prosimo, preverite naslednje, preden pokličete servis.

1. Postavite približno 150 ml vode v stekleni posodi v pečico in varno zaprite vrata. Luč pečice se mora ugasniti, če so vrata pravilno zaprta. Pečico pustite delovati 1 minuto.

2. Ali luč pečice sveti?

3. Ali hladilni ventilator deluje?

(Položite roko čez zadnje prezračevalne odprtine.)

4. Ali se vrtljiva plošča vrti?

(Vrtljiva plošča se lahko vrti v smeri urinega kazalca ali v nasprotni smeri urinega kazalca. To je povsem normalno.)

5. Je voda v pečici vroča?

Če je odgovor na katero koli od zgornjih vprašanj "NE", vas prosimo, da preverite stensko vtičnico in varovalko v električni omarici. Če tako stenska vtičnica kot varovalka pravilno delujeta, se **OBRNITE NA NAJBLIŽJI POOBLAŠČENI SERVISNI CENTER.**

VARNOSTNI UKREPI

Opozorilo: MIKROVALOVNO SEVANJE

1. Visokonapetostni kondenzator ostane napolnjen po odklopu; sprožite kratek stik na negativnem priključku kondenzatorja na ohišju pečice (uporabite izvijač), da ga pred dotikom izpraznite.
2. Med servisiranjem se spodaj navedeni deli, ki so pod napetostjo 250 V, lahko snamejo.
 - Magnetron
 - Visokonapetostni transformator
 - Visokonapetostni kondenzator
 - Visokonapetostna dioda
 - Visokonapetostna varovalka
3. Naslednji pogoji lahko med servisiranjem povzročijo izpostavljenost mikrovalovom.

- Nepravilna vgradnja magnetrona;
- Nepravilno ujemanje ključavnice vrat, tečajev vrat in vrat;
- Nepravilna vgradnja nosilca stikala;
- Vrata, tesnilo vrat ali ohišje so poškodovani.

SPECIFIKACIJE

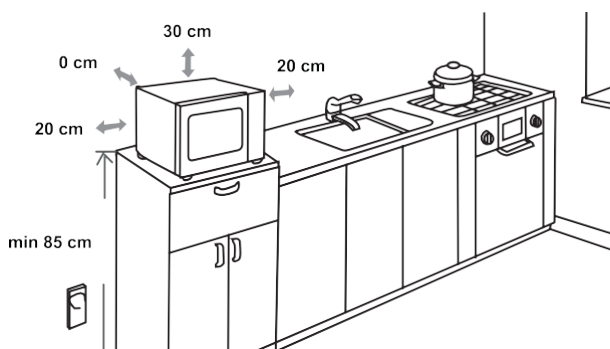
Poraba energije	220-240 V ~50 Hz, 1280 W
Izhodna moč	800 W
Delovna frekvenca	2450 MHz
Zunanje dimenzije	480 x 295 x 352 mm
Prostornina pečice	23 litrov
Teža brez embalaže.....	Pribl. 11.7 kg
Raven hrupa	Lc ≤ 61 dB (A)



Ta naprava je označena v skladu z Evropsko direktivo 2012/19/EU o odpadni električni in elektronski opremi (OEEO).

Ta smernica je okvir vseevropske veljavnosti vračila in recikliranja odpadne električne in elektronske opreme.

DIMENZIJE ZA MONTAŽO



Mikrovalovna pečica lahko moti vaš radio, televizor ali podobno opremo. Če pride do motenj, jih je mogoče odpraviti ali zmanjšati z naslednjimi postopki.

- a) Očistite vrata in tesnilno površino pečice.
- b) Radio, TV itd. postavite čim dlje od mikrovalovne pečice.
- c) Uporabite pravilno nameščeno anteno za vaš radio, TV itd., da dobite močan sprejem signala.

PRIDRŽUJEMO SI PRAVICO DO KAKRŠNIH KOLI
SPREMEMB, KI NE VPLIVAJO NA DELOVANJE
NAPRAVE.

Hisense

I DASHUR KLIENT

Ju falënderojmë sinqerisht për blerjen tuaj. Besojmë se së shpejti do të gjeni prova të mjaftueshme që vërtet mund të mbështeteni te produktet tona. Për ta bërë më të lehtë përdorimin e pajisjes, ne bashkëngjism këtë manual gjithëpërfshirës të udhëzimeve.

Udhëzimet duhet t'ju ndihmojnë të njiheni me pajisjen tuaj të re. Lexojini me kujdes para se ta përdorni pajisjen për herë të parë.

Për çdo rast, sigurohuni që pajisja ju është sjellë e padëmtuar. Nëse identifikoni ndonjë dëm transporti, kontaktoni me përfaqësuesin tuaj të shitjeve ose magazinën rajonale nga ku është dorëzuar produkti. Numrin e telefonit mund ta gjeni në raportin e pranimit ose dorëzimit.

Ju urojmë ta përdorni me shumë kënaqësi pajisjen tuaj të re shtëpiake.



Pajisja për përdorim shtëpiak për ngrohjen e ushqimit dhe pijeve me anë të energjisë elektromagnetike, vetëm për përdorim të brendshëm.

UDHËZIME PËR PËRDORIMIN

Këto udhëzime janë për përdoruesit.

Ato e përshkruajnë furrën dhe mënyrën se si përdoret. Ato vlejné edhe për lloje të ndryshme pajisjesh elektroshtëpiake, prandaj mund të gjeni disa përshkrime të funksioneve që mund të mos vlejné për pajisjen tuaj.

Ne rezervojmë të drejtën për ndryshime dhe gabime në udhëzimet e përdorimit.



Mos i prekni asnjëherë sipërfaqet e pajisjeve nxehëse apo të gatimit. Ato do të nxehen gjatë funksionimit. Mbani fëmijët në një distancë të sigurt. Ekziston rreziku i djegies!



Energjia e mikrovalës dhe tensioni i lartë! Mos e hiqni kapakun.

PARALAJMËRIM! Pajisja dhe pjesët e saj të arritshme, nxehen gjatë përdorimit. Tregoni kujdes dhe shmangni prekjen e elementeve nxehëse. Fëmijët nën moshën 8 vjeç duhet të mbahen larg nëse nuk mbikëqyren vazhdimisht. Fëmijët duhet të mbikëqyren për t'u siguruar që të mos luajnë me pajisjen elektroshtëpiake.

Kjo pajisje elektroshtëpiake mund të përdoret nga fëmijët e moshës 8 vjeç e sipër dhe nga personat me aftësi të kufizuara fizike, shqisore ose mendore apo me mungesë përvojë dhe njohurish, në rast se ata mbikëqyren ose udhëzohen në lidhje me përdorimin e pajisjes në mënyrë të sigurt dhe kuptojnë rreziqet e përfshira. Fëmijët nuk duhet të luajnë me pajisjen elektroshtëpiake. Pastrimi dhe mirëmbajta nuk duhet të bëhet nga fëmijët, nëse nuk janë mbi 8 vjeç dhe nuk mbikëqyren.

Mbajeni pajisjen dhe kordonin e saj larg fëmijëve të moshës nën 8 vjeç.

- **KUJDES:** Kur pajisja punon në modalitetin e kombinuar, fëmijët duhet të përdorin furrën vetëm nën mbikëqyrjen e të rriturve për shkak të temperaturave të krijuara (Vetëm për modelin me funksionin e skarës);

- **KUJDES:** Nëse dera ose gomatat e derës dëmtohen, furrat nuk duhet të përdoret derisa të riparohen nga një person kompetent;
- **KUJDES:** Është e rrezikshme për cilindo tjetër, përveç një personi kompetent, të kryejë ndonjë shërbim apo riparim që përfshin heqjen e një mbulese që jep mbrojtje nga ekspozimi ndaj energjisë së mikrovalës;
- **KUJDES:** Lëngjet dhe ushqimet e tjera nuk duhet të nxehen në enë të mbyllura, pasi ato mund të shpërthejnë;
- Fëmijët duhet të mbikëqyren për tu siguruar që të mos luajnë me pajisjen elektroshtëpiake;
- Mos i hiqni këmbëzat e furrës dhe mos i bllokoni vrimat e ajrit të furrës;
- Përdorni vetëm enë kuzhine që janë të përshtatshme për furrat me mikrovalë;
- Kur ngrohni ushqimin në enë plastike ose letre, shikoni me kujdes furrën për shkak të mundësisë së ndezjes;
- Nëse vërehet tym, fikni ose hiqni pajisjen nga priza dhe mbajeni derën të mbyllur për të mbytur flakët e mundshme;
- Ngrohja e pijeve me mikrovalë mund të rezultojë në vlimin e vonuar shpërthyes, prandaj duhet pasur kujdes gjatë trajtimit të enës;
- Përmbajtjet e shisheve dhe kavanozave të ushqimit për fëmijë duhet të trazohen ose të tunden dhe temperatura të kontrollohet para konsumimit, në mënyrë që të shmangen djegiet;

- Vezët në lëvozhgën e tyre dhe vezët e plota shumë të ziera nuk duhet të ngrohen në furrat me mikrovalë, pasi ato mund të shpërthejnë edhe pasi të ketë mbaruar ngrohja me mikrovalë;
- Kur pastroni sipërfaqet e derës, gominës së derës apo zgavrës së furrës, përdorni vetëm sapunë të butë jogërryes ose detergjentë të aplikuar me një sfungjer ose leckë të butë;
- Furra duhet të pastrohet rregullisht dhe të hiqen të gjitha mbetjet e ushqimit;
- Mosmbajtja e furrës në një gjendje të pastër, mund të çojë në përkeqësimin e sipërfaqes, gjë që mund të ndikojë negativisht në jetëgjatësinë e pajisjes dhe mund të rezultojë në një situatë të rrezikshme;
- Në qoftë se kordoni i energjisë është i dëmtuar, ai duhet të zëvendësohet nga prodhuesi, agjenti i tij i shërbimit ose nga persona me të njëjtin kualifikim, në mënyrë që të shmanget ndonjë rrezik;
- Mos lejoni që kordoni të varet nga skaji i tryezës apo banakut;
- Për të shmangur një situatë të rrezikshme, asnjëherë mos e lidhni këtë pajisje me një ndërprerës me kohëmatës të jashtëm apo një sistem telekomandimi;
- Asnjëherë mos e zëvendësoni llambën brenda furrës. Ajo duhet të zëvendësohet gjithmonë nga shërbimi i Hisense;
- Mos e pastroni pajisjen me pastrues me avull, pastrues me presion të lartë, objekte të mprehta, agjentë pastrimi gërryes dhe heqës njollash dhe sfungjerë gërryes.

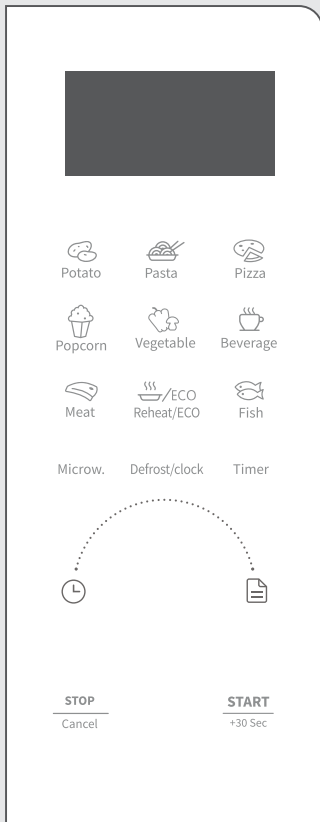
Më poshtë janë listuar, si në të gjitha pajisjet, disa rregulla që duhet të ndiqen dhe masat mbrojtëse për të siguruar performancën më të mirë nga kjo furrë:

1. Gjithmonë mbani tavën e qelqit, krahët rrotullues, kanxhën dhe pistën e rrotullimit në vend kur përdorni furrën.
2. Mos e përdorni furrën për asnjë arsye tjetër përveç përgatitjes së ushqimit, si për tharjen e rrobave, letrës ose ndonjë artikulli tjetër joushqimor, ose për qëllime sterilizimi.
3. Mos e përdorni furrën kur është bosh. Kjo mund të dëmtojë furrën.
4. Mos e përdorni zgavrën e furrës për asnjë lloj magazinimi, si letra, libra gatimi etj.
5. Mos gatvani asnjë ushqim të rrethuar nga një membranë, siç janë të verdhat e vezëve, patatat, mëlçitë e pulës, etj., pa e shpuar disa herë me pirun.
6. Mos fusni asnjë objekt në vrimat e ajrimit të pajisjes.
7. Mos i nxirrni në asnjë moment nga furra pjesët e tilla si këmbëzat, kanxhën, vidat etj.
8. Mos gatvani ushqim direkt në tavën e qelqit. Vendosni ushqimin në enën e duhur të gatimit para se ta vendosni në furrë. **E RËNDËSISHME – ENËT E GATIMIT QË NUK DUHEN PËRDORUR NË MIKROVALËN TUAJ**
 - Mos përdorni tiganë ose enë metalike me doreza metalike.
 - Mos përdorni asgjë me dekor metalik.
 - Mos i përdorni lidhjet e telit të mbuluara me letër në qese plastike.
 - Mos përdorni enë melamine, pasi ato përmbajnë një material i cili do të thithë energjinë e mikrovalës. Kjo mund të shkaktojë që enët të çahen dhe do të ngadalësojë shpejtësinë e gatimit.
 - Mos përdorni enë Centura. Lustra nuk është e përshtatshme për përdorim në mikrovalë. Flixhanët me dorezë të mbyllur Corelle Livingware nuk duhet të përdoren.
 - Mos gatvani në një enë me hapje të kufizuar, të tilla si shishet plastike ose shishet e mbyllura të vajit, pasi ato mund të shpërthejnë nëse nxehen në një furrë me mikrovalë.
 - Mos përdorni termometra tradicionalë për mishin apo ëmbëlsirat.
 - Ekzistojnë termometra të disponueshëm posaçërisht për gatimin me mikrovalë. Ato mund të përdoren.
9. Enët e mikrovalës duhet të përdoren vetëm në përputhje me udhëzimet e prodhuesit.
10. Mos u përpiqni të skuqni ushqime në këtë furrë.
11. Mos harroni se një furrë me mikrovalë ngroh vetëm lëngun në enë dhe jo vetë enën. Prandaj, edhe pse kapaku i një ene nuk është

i nxehtë në prekje kur hiqet nga furra, mos harroni se ushqimi/lëngu brenda do të lëshojë të njëjtën sasi avulli dhe/ose spërka kur kapaku të hiqet, si në gatimet tradicionale.

12. Gjithmonë testojeni vetë temperaturën e ushqimit të gatuar, veçanërisht nëse ngrohni ose gatuani ushqim/lëng për foshnjat. Është e këshillueshme që asnjëherë të mos konsumoni ushqim/lëng direkt nga furra, por ta lini të qëndrojë për disa minuta dhe të përzieni ushqimin/lëngun për të shpërndarë nxehtësinë në mënyrë të barabartë.
13. Ushqimi që përmban një përzierje të yndyrës dhe ujit, p.sh. lëngu i mishit, duhet të qëndrojë për 30-60 sekonda në furrë pasi të jetë fikur. Kjo bëhet për të lejuar që përzierja të qetësohet dhe për të parandaluar filluskimin kur vendoset luga në ushqim/lëng ose kur shtohet një ekstrakt mishi.
14. Kur përgatisni/gatuani ushqim/lëng, mos harroni se ekzistojnë ushqime të caktuara, p.sh. pudingët e Krishtlindjeve, reçeli dhe mishi i grirë, të cilat nxehen shumë shpejt. Kur ngrohni ose gatuani ushqime me përmbajtje të lartë yndyre ose sheqeri, mos përdorni enë plastike.
15. Enët e gatimit mund të nxehen për shkak të nxehtësisë së transferuar nga ushqimi i ngrohur. Kjo është veçanërisht e vërtetë nëse mbështjellja plastike ka mbuluar pjesën e sipërme dhe dorezat e enës. Dorashkat kundër nxehtësisë mund të nevojiten për të mbajtur enët.
16. Për të zvogëluar rrezikun e zjarrit në zgavrën e furrës:
 - a) Mos e gatuani ushqimin më shumë se ç'duhet. Kujdes me furrën me mikrovalë nëse letra, plastika ose materiale të tjera të djegshme vendosen brenda furrës për të lehtësuar gatimin.
 - b) Hiqni lidhjet e përdredhura të telit nga qeset para se të vendosni qesen në furrë.
 - c) Nëse materialet brenda furrës ndizen, mbajeni derën e furrës të mbyllur, fikni furrën me çelësin e murit ose fikni energjinë në siguresën ose panelin e ndërprerësit.

FUNKSIONIMI I PANELIT TË KONTROLLIT



EKRANI

Tregon orën, kohën e gatimit dhe cilësimin.

SHKRIRJA

Përdoreni këtë tast për të shkrirë ushqimin sipas kohës dhe peshës

MICROW.

Përdoreni këtë tast për të zgjedhur nivelin e fuqisë së mikrovalës.

ORA

Mbajeni këtë tast shtypur për 3 sekonda për të vendosur orën.

KOHËMATËSI

Përdoreni këtë tast për të vendosur funksionin e kohëmatësit.

IKONAT

Përdorini këto taste për të vendosur kohën dhe peshën e ushqimit dhe për të zgjedhur programet e menuesë automatike.

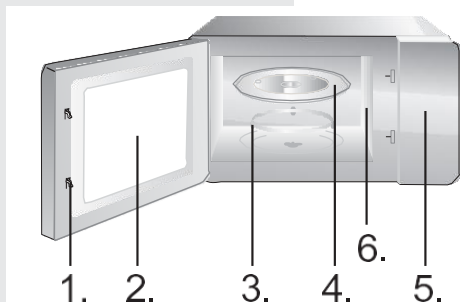
STOP/CANCEL

Përdoreni këtë buton për të ndaluar ose anuluar cilësimin.

Mbajeni shtypur 3 sek. për bllokimin për fëmijët

START/+30 SEC

Përdoreni këtë tast për të bërë gatim me nisje të shpejtë prej 30 sekondash, për të rritur kohën e gatimit me 30 sekonda (me çdo shtypje) ose për të konfirmuar cilësimet e gatimit.



1. Sistemi i bllokimit të sigurisë për derën
2. Dritarja e furrës
3. Unaza rrotulluese
4. Tava prej qelqi
5. Paneli i kontrollit
6. Udhëzuesi i valës (mos e hiqni pllakën mica që mbulon udhëzuesin e valës)

Ka përkatësisht dhjetë nivele të fuqisë së mikrovalës, 100P, 90P, 80P, 70P, 60P, 50P, 40P, 30P, 20P dhe 10P. Rrotulloni çelësin e mëposhtëm për të rritur ose ulur kohën e gatimit. Intervali kohor mund të zgjidhet nga 0:10 deri në 60:00. Pas zgjedhjes së kohës, shtypni butonin "START/+30s" për të filluar punën. Një tingull zhurmues për të njoftuar përfundimin e punës.

E LARTË	Fuqi dalëse prej 100% dhe 90%	(Zbatohet për gatim të shpejtë dhe tërësor)
Mesat. e lartë	Fuqi dalëse prej 80% dhe 70%	(Zbatohet për gatim ekspres mesatar)
E mes.	Fuqi dalëse prej 60% dhe 50%	(Zbatohet për avullimin e ushqimit)
Mesat. e ulët	Fuqi dalëse prej 40% dhe 30%	(Zbatohet për shkrirjen e ushqimit)
E ULËT	Fuqi dalëse prej 20% dhe 10%	(Zbatohet për mbajtjen ngrrohtë)

**PARALAJMËRIM**

- a. Koha maksimale që mund të vendoset është 60 minuta
- b. Mos e përdorni kurrë furrën bosh.
- c. Në fuqinë maksimale të mikrovalës, furra do të ulë automatikisht fuqinë pas një kohe të caktuar gatimi për të zgjatur jetëgjatësinë e shërbimit.
- d. Nëse e ktheni ushqimin gjatë punës, shtypni butonin **START/+30s** një herë dhe procedura e paracaktuar e gatimit do të vazhdojë.

**SHKRIRJA /
SHKRIRJA SIPAS
KOHËS**

e. Nëse keni ndërmend ta hiqni ushqimin para kohës së paracaktuar, duhet të shtypni butonin **STOP/CANCEL** një herë për të pastruar procedurën e paracaktuar për të shmangur funksionimin e paqëllimshëm gjatë përdorimit të radhës.

Ekzistojnë dy modalitete të shkrirjes, dEF1, përkatësisht dEF2. dEF1 për shkrirjen sipas peshës dhe dEF2 për shkrirjen sipas kohës. Shtypeni këtë buton për të zgjedhur shkrirjen sipas peshës ose kohës dhe ekrani do të shfaqë "dEF1" ose "dEF2". Rrotulloni çelësin për të zgjedhur peshën e ushqimit ose kohën e shkrirjes. Diapazoni i peshës së dEF1 është nga 100 në 1500g dhe koha maksimale e dEF2 është 60:00. Pas zgjedhjes së peshës ose kohës së shkrirjes, shtypni butonin "START/+30s" për të filluar punën. Një tingull zhurmues për të njoftuar përfundimin e punës. Modaliteti i shkrirjes dEF1 sipas peshës do të lëshojë një tingull bip për të treguar që ushqimi duhet të kthehet gjatë shkrirjes.

Më poshtë janë disa këshilla për kohën e shkrirjes së ushqimit:

dEF1	Për shkrirjen, diapazoni i peshës është nga 100g deri në 1500g.
dEF2	Për shkrirjen, koha maksimale është 60:00.



PARALAJMËRIM

- a. Është e nevojshme ta ktheni ushqimin gjatë përdorimit për të marrë efekt të njëtrajtshëm.
- b. Zakonisht, shkrirjes do t'i duhet më shumë kohë se gatimit të ushqimit.
- c. Nëse ushqimi mund të pritët me thikë, procesi i shkrirjes mund të konsiderohet i përfunduar.
- d. Mikrovala depërton rreth 4cm në shumicën e ushqimeve
- e. Ushqimi i shkrirë duhet të konsumohet sa më shpejt të jetë e mundur dhe nuk këshillohet të vendoset përsëri në frigorifer dhe të ngrihet përsëri.

ORA (ora 24 orëshe)

Në modalitetin e gatishmërisë, shtypni dhe mbani shtypur butonin "DEFROST/CLOCK" për më shumë se 3 sekonda për t'u futur në ndërfaqen e vendosjes së orës. Në të njëjtën kohë, ekrani vezullon orën. Koha e orës mund të vendoset duke rrotulluar çelësin. Pas vendosjes së orës, shtypni butonin "START/+30s" për një kohë të shkurtër, për të kaluar në modalitetin e vendosjes së minutave. Minutat mund të vendosen duke rrotulluar çelësin. Pas vendosjes së minutave, shtypni sërish butonin "START/+30s" për të dalë nga modaliteti i vendosjes.

GATIMI AUTOMATIK

Ka tetë menu automatike A.1 ~ A.8, Patate, Makarona, Pica, Kokoshka, Perime, Pije, Mish dhe Peshk, përkatësisht. Shtypni vazhdimisht butonin "Menu" për të zgjedhur menunë e dëshiruar, pastaj rrotulloni çelësin për të zgjedhur peshën e menisë. Pas zgjedhjes së peshës së gatimit, shtypni butonin "START/+30s" për të filluar punën.

Një tingull zhurmues për të njoftuar përfundimin e punës.

Ekрани	Lloji	Mënyra
A.1	Patate	Peshat opsionale janë 250g, 500g dhe 750g
A.2	Makarona	Peshat opsionale janë 50g, 100g dhe 150g
A.3	Pica	Peshat opsionale janë 200g dhe 400g
A.4	Kokoshka	Pesha opsionale është 100g
A.5	Perime	Peshat opsionale janë 200g, 400g dhe 600g
A.6	Pije	Peshat opsionale janë 1 gotë, 2 gota ose 3 gota, secila rreth 250ml
A.7	Mish	Peshat opsionale janë 200g, 400g dhe 600g
A.8	Peshk	Peshat opsionale janë 200g, 400g dhe 600g



PARALAJMËRIM

- a. Temperatura e ushqimit para gatimit duhet të jetë 20-25°C. Temperatura më e lartë ose më e ulët e ushqimit para gatimit kërkon rritje ose ulje të kohës së gatimit.
- b. Temperatura, pesha dhe forma e ushqimit, do të ndikojnë shumë në efektin e gatimit. Nëse është gjetur ndonjë devijim në faktorin e shënuar në menunë e mësipërme, ju mund të rregulloni kohën e gatimit për rezultatin më të mirë.

TIMER

Në modalitetin e gatishmërisë, shtypni këtë buton për të hyrë në ndërfaqen e cilësimit dhe ikona e funksionit të numërimit mbrapsht dhe "0:00" do të shfaqen në ekran. Rrotulloni çelësin për të vendosur kohën, koha maksimale që mund të futet është 60:00. Pas vendosjes së kohës, shtypni butonin "START/+30s" për të filluar numërimin mbrapsht. Një tingull zhurmues për të njoftuar përfundimin e numërimit mbrapsht

**RINGROHJA /
RINGROHJ ECO**

Funksioni i ringrohjes është kryesisht për t'u mundësuar përdoruesve që të ngrohin ushqimin sipas peshës së ushqimit, ktheni çelësin për të zgjedhur peshën e duhur të ushqimit, peshat opsionale janë 200g, 400g, 600g, 800g dhe 1000g. Pas zgjedhjes së peshës, shtypni butonin "START/+30s" për të filluar punën. Një tingull zhurmues për të njoftuar përfundimin e punës.

ECO

Në modalitetin e gatishmërisë, shtypni dhe mbani shtypur butonin e ringrohjes për 3 sekonda për të aktivizuar funksionin ECO dhe ekrani do të fiket. Kur aktivizoni funksionin ECO, shtypni cilindo buton për të çaktivizuar funksionin ECO.

STOP

Në procesin e cilësimeve të gatimit, mund të shtypni butonin "STOP" për të anuluar cilësimet dhe për t'u kthyer në gjendjen e gatishmërisë. Në procesin e punës së furrës me mikrovalë, mund të shtypni butonin "STOP" për ta pezulluar. Në gjendjen e gatishmërisë, mund të shtypni përsëri butonin "STOP" për të anuluar funksionin dhe për t'u kthyer në gjendjen e gatishmërisë.

START/+30s

Pas vendosjes së kohës së gatimit ose peshës së ushqimit, shtypni butonin "START/+30s" për të ndezur menjëherë mikrovalën. Në gjendje pune, mund të shtypni butonin "START/+30s" për të rritur kohën, shtypeni një herë për ta rritur me 30 sekonda, por modaliteti i menusë dhe modaliteti i shkrirjes sipas peshës nuk mund ta rregullojnë kohën. Në gjendje pezullimi, mund të shtypni butonin "START/+30s" për të vazhduar mikrovalën para modalitetit të gatimit.

Në modalitetin e gatishmërisë, pasi ushqimi të jetë vënë dhe dera të jetë mbyllur, shtypni butonin "START/+30s" për të ndezur shpejt mikrovalën. Koha e paracaktuar e punës është 30 sekonda. Në procesin e punës, shtypni butonin "START/+30s" një herë për 30 sekonda. Një tingull zhurmues për të njoftuar përfundimin e punës.

**FUNKSIONI I
BLLOKIMIT PËR
FËMIJËT**

Përdoreni këtë funksion për të bllokuar panelin e kontrollit kur jeni duke pastruar ose në mënyrë që fëmijët të mos e përdorin furrën pa mbikëqyrje. Të gjithë butonat bëhen të papërdorshëm në këtë modalitet.

1) Vendosni bllokimin: në modalitetin e gatishmërisë, shtypni butonin "STOP" për më shumë se 3 sekonda, funksioni i bllokimit për fëmijët është i bllokuar dhe të gjithë butonat e furrës me mikrovalë nuk mund të përdoren.

2) Anuloni bllokimin: në gjendjen e bllokimit për fëmijët, shtypni butonin "STOP" për më shumë se 3 sekonda për të anuluar funksionin e bllokimit për fëmijët.

UDHËZUESI PËR ENËT

Rekomandohet fort të përdoren enët të cilat janë të përshtatshme dhe të sigurta për gatim me mikrovalë. Në përgjithësi, enët të cilat janë prej qeramikës rezistente ndaj nxehtësisë, prej qelqi ose plastike, janë të përshtatshme për gatim me mikrovalë. Mos përdorni asnjëherë enë metalike për gatim me mikrovalë dhe gatim të kombinuar, pasi ka të ngjarë të shkaktojë shkëndija. Mund ta merrni si referencë tabelën më poshtë.

Materiali i enës	Mikrovalë	Shënime
Qeramikë rezistente ndaj nxehtësisë	Po	Mos përdorni asnjëherë qeramikë të zbukuruar me buzë metalike ose me glazurë
Plastikë rezistente ndaj nxehtësisë	Po	Nuk mund të përdoret për gatim me mikrovalë për një kohë të gjatë
Xham rezistent ndaj nxehtësisë	Po	
Raft skare	Jo	
Plasmas	Po	Nuk duhet të përdoret kur gatuni mish ose bërçolla, pasi temperatura e tepërt mund të dëmtojë filmin

Faktorët në vijim mund të ndikojnë në rezultatin e gatimit:

Organizimi i ushqimit

Vendosni zonat më të trasha drejt pjesës së jashtme të enës, pjesën më të hollë drejt qendrës dhe përhapeni në mënyrë të barabartë. Mos i mbivendosni nëse është e mundur.

Kohëzgjatja e gatimit

Filloni të gatuar me një cilësim kohor të shkurtër, vlerësojeni pasi të arrijë cakun kohor dhe zgjateni sipas nevojës. Gatimi i tepërt mund të rezultojë në tym dhe djegie.

Gatimi i ushqimit në mënyrë të barabartë

Ushqimi si pula, hamburgeri ose bifteku, duhet të kthehen një herë gjatë gatimit.

Në varësi të llojit të ushqimit, nëse është e aplikueshme, trazojeni nga jashtë në qendër të enës një ose dy herë gjatë gatimit

Lejoni kohën e qëndrimit

Pas përfundimit të gatimit, lëreni ushqimin në furrë për një gjatësi të përshtatshme kohore, pasi kjo e lejon të përfundojë ciklin e saj të gatimit dhe ta ftohë atë në mënyrë graduale

Nëse ushqimi është bërë

Ngjyra dhe fortësia e ushqimit ndihmojnë për të përcaktuar nëse ka përfunduar. Këto përfshijnë:

- Avulli që del nga të gjitha pjesët e ushqimit, jo vetëm nga një anë
- Kofshët e pulës mund të lëvizin lehtësisht
- Mishi i derrit ose i pulës nuk tregon shenja gjaku
- Peshku nuk është i padepërtueshëm dhe mund të pritët lehtë me pirun

Enë për skuqje

Kur përdorni një enë për skuqje ose enë me vetënxehe, vendosni gjithmonë një izolues rezistent ndaj nxehtësisë, si një pllakë porcelani nën të, për të parandaluar dëmtimin e pllakës rrotulluese dhe unazës rrotulluese.

Mbështjellës plastik i sigurt për mikrovalë

Kur gatvani ushqim me përmbajtje të lartë yndyre, mos lejoni që mbështjellësi plastik të bjerë në kontakt me ushqimin, pasi mund të shkrihet

Enë plastike gatimi të sigurt për mikrovalë

Disa enë plastike gatimi të sigurt për mikrovalë, mund të mos jenë të përshtatshme për gatimin e ushqimeve me përmbajtje të lartë yndyre dhe sheqeri. Veç kësaj, koha e nxehtësisë paraprake, e specifikuar në manualin e udhëzimeve të enës, nuk duhet të tejkalohet

MIRËMBAJTJA

SHËRBIMI

Kontrolloni sa vijon para se të telefononi për shërbime.

1. Vendosni një gotë ujë (përafërsisht 150ml) në një masë qelqi në furrë dhe mbylleni derën në mënyrë të sigurt. Llamba e furrës duhet të fiket nëse dera është e mbyllur siç duhet. Lëreni furrën të punojë për 1 minutë.

2. A ndizet llamba e furrës?

3. A punon ventilatori i ftohjes?

(Vendosni dorën mbi vrimat e ventilimit të pasmë.)

4. A rrotullohet pllaka rrotulluese?

(Pllaka rrotulluese mund të rrotullohet në drejtim të akrepave të orës ose kundër akrepave të orës. Kjo është normale.)

5. A është uji brenda furrës i nxehtë?

Nëse “JO” është përgjigja për secilën nga pyetjet e mësipërme, kontrolloni prizën e murit dhe siguresën në kutinë e matësit.

Nëse priza e murit edhe siguresa funksionojnë siç duhet, **KONTAKTONI ME QENDRËN MË TË AFËRT TË MIRATUAR TË SHËRBIMIT.**

MASA MBROJTËSE GJATË SHËRBIMIT

Kujdes: RREZATIMI I MIKROVALËS

1. Kondensatori i tensionit të lartë mbetet i ngarkuar edhe pas shkëputjes; para se ta prekni, lidhni terminalin negativ H. V me shasinë e furrës (përdorni një kaçavidë) për ta shkarkuar.

2. Gjatë shërbimit, pjesët e listuara më poshtë mund të hiqen dhe të japin qasje në potencialet mbi 250V në tokë.

- Magnetroni
- Transformatori me tension të lartë
- Kondensatori me tension të lartë
- Dioda me tension të lartë
- Siguresa me tension të lartë

3. Kushtet në vijim mund të shkaktojnë ekspozim të panevojshëm të mikrovalës gjatë shërbimit.

- Montimi i papërshtatshëm i magnetronit;
- Përputhja e papërshtatshme e bllokimit të derës, menteshës së derës dhe derës;
- Montimi i papërshtatshëm i mbështetjes së çelësit;
- Dera, gomina ose mbyllja e derës janë dëmtuar.

SPECIFIKIMET

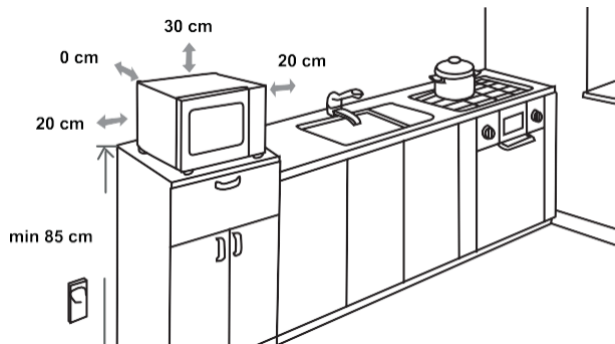
Konsumi i energjisë	220-240V ~50Hz, 1280W
Fuqia dalëse.....	800W
Frekuenca e funksionimit	2450MHz
Përmasat e jashtme	480 x 295 x 352mm
Kapaciteti i furrës	23 litra
Pesha pa kutinë.....	Përafërsisht 11.7kg
Nivellii zhurmës	Lc ≤ 61 dB (A)



Kjo pajisje është etiketuar në përputhje me Direktivën Evropiane (Direktiva WEEE) 2012/19/EU për Mbetjet e Pajisjeve Elektrike dhe Elektronike.

Ky udhëzues është korniza e një vlefshmërie mbarë evropiane të kthimit dhe riciklimit të mbeturinave të pajisjeve elektrike dhe elektronike.

PËRMASAT E MONTIMIT



NDËRHYRJA NË FREKUENCAT E RADIOS

Furra me mikrovalë mund të shkaktojë ndërhyrje në frekuencat e radios, televizorit ose pajisjeve të ngjashme. Kur ndodh ndërhyrja, ajo mund të eliminohet ose të zvogëlohet nga procedurat e mëposhtme.

- a) Pastroni derën dhe sipërfaqen mbyllëse të furrës.
- b) Vendosni radion, televizorin etj., sa më larg që të jetë e mundur nga mikrovala juaj.
- c) Përdorni një antenë të instaluar siç duhet për radion, televizorin etj., për të marrë një sinjal të fortë pranimi.

NE REZERVOJMË TË DREJTËN PËR TË BËRË
NDRYSHIME QË NUK NDIKOJNË NË
FUNKSIONALITETIN E PAJISJES.

Hisense

POŠTOVANI KUPČE

Iskreno vam se zahvaljujemo na kupovini. Verujemo da ćete uskoro pronaći mnogo razloga o tome da se zaista možete osloniti na naše proizvode. Da bi upotreba uređaja bila lakša, prilažemo ova sveobuhvatna uputstva za upotrebu.

Uputstva bi trebalo da vam pomognu da se upoznate sa novim uređajem. Molimo vas da ih pažljivo pročitate pre nego što prvi put upotrebite uređaj.

U svakom slučaju, molimo vas da se uverite da vam je uređaj isporučen neoštećen. Ako otkrijete oštećenja nastala u toku transporta, obratite se prodajnom predstavniku ili regionalnom skladištu odakle je proizvod isporučen. Broj telefona ćete pronaći na računu ili izveštaju o isporuci.

Želimo vam puno zadovoljstva uz vaš novi kućni uređaj.



Uređaj je namenjen za kućnu upotrebu za zagrevanje hrane i pića koristeći elektromagnetnu energiju; samo za upotrebu u zatvorenom prostoru.

UPUTSTVO ZA
UPOTREBU

Ova uputstva su namenjena korisniku. Opisuju rernu i kako se koristi. Primenjuju se i na različite vrste uređaja; zbog toga ćete možda pronaći neke opise funkcija koje se možda ne odnose na vaš uređaj.

Pridržavamo pravo do eventualnih promena i grešaka u uputstvima za upotrebu.



Nikada ne dirajte površine uređaja za grejanje ili kuvanje. Uređaji se zagrevaju tokom rada. Držite decu na bezbednoj udaljenosti. Postoji rizik od opekotina!



Struja i visoki napon mikrotalasne rerne! Ne uklanjajte poklopac.

UPOZORENJE! Uređaj i njegovi pristupačni delovi postaju vrući tokom upotrebe. Treba voditi računa da se ne dodiruju delovi koji se zagrevaju. Mala deca (mlađa od osam godina) neka budu celo vreme pod nadzorom. Decu treba nadgledati kako biste bili sigurni da se ne igraju uređajem.

Ovaj uređaj smeju da koriste deca uzrasta od 8 i više godina i lica sa smanjenim fizičkim, senzornim ili mentalnim sposobnostima ili nedovoljnim iskustvom i znanjem, pod uslovom da su pod nadzorom i da su im data uputstva o bezbednom korišćenju uređaja i da shvataju prateće rizike. Nemojte dozvoliti da se deca igraju uređajem. Deca ne smeju da čiste ili održavaju uređaj ukoliko nisu starija od 8 godina i pod nadzorom.

Držite uređaj i njegov kabl van domašaja dece mlađe od 8 godina.

- **UPOZORENJE:** Kada uređaj radi u kombinovanom režimu, deca bi trebalo da koriste rernu samo pod nadzorom odrasle osobe zbog generisanih temperatura (samo za model sa funkcijom roštilja)

- **UPOZORENJE:** Ukoliko su vrata ili zaptivke na vratima oštećeni, rerna ne sme da se koristi dok je ne popravi stručno lice;
- **UPOZORENJE:** Opasno je za bilo koga osim stručnog lica da izvrši servis ili popravku koja podrazumeva uklanjanje navlake koja štiti od izloženosti mikrotalasnoj energiji.
- **UPOZORENJE:** : tečnosti i druge namirnice ne smeju da se zagrevaju u zatvorenim posudama jer mogu da eksplodiraju.
- Decu treba nadgledati kako bi se osiguralo da se ne igraju uređajem.
- Nemojte skidati nožice rerne i nemojte pokrivati otvore za ventilaciju.
- Koristite samo pribor koji je pogodan za upotrebu u mikrotalasnim rernama.
- Kada zagrevate hranu u plastičnim ili papirnim posudama, pazite na rernu zbog mogućnosti zapaljenja;
- Ako primetite dim, isključite uređaj ili isključite napajanje uređaja i držite vrata zatvorenima kako biste ugasili plamen;
- Grejanje napitaka u mikrotalasnoj rerni može dovesti do odloženog kipljenja, zato treba voditi računa prilikom rukovanja posudom;
- Sadržaj flašica za hranjenje i tegli za hranu za bebe treba promešati ili protresti, a temperaturu proveriti pre konzumacije kako bi se izbegle opekotine;

- Jaja u ljusci i cela tvrdo kuvana jaja ne bi trebalo da se zagrevaju u mikrotalasnim rernama jer mogu da eksplodiraju, čak i posle završetka zagrevanja u mikrotalasnoj rerni;
- Prilikom čišćenja površina vrata, zaptivki na vratima ili unutrašnjosti rerne, koristite samo blaga neabrazivna sredstva ili deterdžente nanete sunderom ili mekom krpom.
- Rernu treba redovno čistiti, a sve naslage hrane ukloniti.
- Neodržavanje rerne u čistom stanju moglo bi da dovede do oštećenja njene površine, što bi moglo nepovoljno da utiče na vek trajanja uređaja i eventualno dovede do opasne situacije;
- Ukoliko je priključni kabl oštećen, sme ga zameniti isključivo proizvođač, njegov ovlašćeni serviser ili osobe obučene za to kako biste sprečili opasnosti.
- Nemojte dozvoliti da kabl visi preko ivice stola ili radne ploče.
- Nikada ne povezujte ovaj uređaj sa spoljnim prekidačem za tajmer ili sistemom daljinskog upravljača kako biste izbegli opasnu situaciju.
- Nikada ne menjajte sijalicu unutar rerne. Zamenu treba vršiti Hisense servis.
- Nemojte čistiti uređaj parnim čistačima, čistačima visokog pritiska, oštrim predmetima, abrazivnim sredstvima za čišćenje i abrazivnim sunderima i sredstvima za uklanjanje fleka.

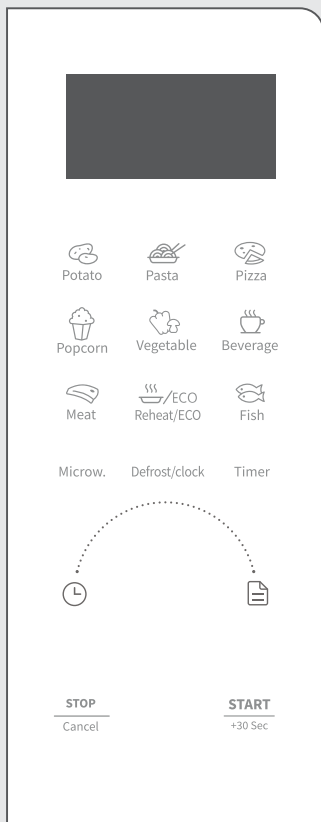
Ispod su navedena, kao i kod svih uređaja, određena pravila koja treba slediti i mere zaštite kako bi se osigurale vrhunske performanse ove rerne:

1. Staklena tacna, ručice valjka, spojnica i žleb za valjak treba da budu na svom mestu kada uključujete rernu.
2. Nemojte koristiti rernu u bilo koje druge svrhe osim za pripremu hrane, kao što je sušenje odeće, papira ili bilo kojih drugih predmeta, ili za sterilizaciju.
3. Ne uključujte rernu kada je prazna. To bi moglo da ošteti rernu.
4. Nemojte koristiti unutrašnjost rerne za skladištenje predmeta kao što su papiri, knjige o kuvanju, itd.
5. Nemojte kuvati bilo koju vrstu hrane koja ima opnu, kao što su žumanca, krompir, pileća džigerica i sličnu hranu a da prethodno ne probijete opnu na nekoliko mesta viljuškom.
6. Nemojte stavljati nikakve predmete u otvore vanjskog dela rerne.
7. Ni u jednom trenutku ne uklanjajte delove iz rerne, kao što su nožice, spojnice, zavrtnji i slično.
8. Ne kuvajte hranu direktno na staklenoj tacni. Stavite hranu u/na odgovarajući pribor za kuvanje pre stavljanja u rernu.
VAŽNO - POSUĐE ZA KUVANJE KOJE NE TREBA KORISTITI U MIKROTALASNOJ RERNI:
 - Nemojte koristiti metalne tiganje ili posuđe sa metalnim drškama.
 - Ne koristite ništa sa metalnom ivicom.
 - Nemojte koristiti plastične kese koje se zatvaraju žicama obloženim papirom.
 - Nemojte koristiti posude od melamina, jer sadrže materijal koji apsorbuje mikrotalasnu energiju. To može dovesti do pucanja posuđa ili zagorevanja i usporiće proces kuvanja.
 - Nemojte koristiti posuđe marke Centura. Posuđe sa glazurom nije pogodno za upotrebu u mikrotalasnoj rerni. Nemojte koristiti zatvorene šolje sa drškom marke Corelle Livingware.
 - Nemojte kuvati u posudi koja je zatvorena, kao što je flaša sa čepom ili flaša za ulje sa pričvršćenim poklopcem, jer takve posude mogu eksplodirati tokom zagrevanja u mikrotalasnoj rerni.
 - Nemojte koristiti obične termometre za pripremu mesa ili slatkiša.
 - Na raspolaganju su termometri namenjeni upotrebi u mikrotalasnoj rerni. Samo ta vrsta termometara može da se koristi.
9. Pribor za mikrotalasnu rernu treba koristiti samo u skladu sa uputstvima proizvođača.
10. Ne pokušavajte da pržite hranu u ulju u ovoj rerni.
11. Imajte na umu da mikrotalasna rerna zagreva samo tečnost u posudi, a ne i posudu. Stoga, iako poklopac posuđe nije

vruć na dodir kada se izvadi iz rerne, imajte na umu da će hrana/tečnost unutar posude ispuštati istu količinu pare i/ili ključati kada se poklopac skine kao i prilikom standardnog kuvanja.

12. Uvek sami proverite temperaturu kuvane hrane, naročito ako grejete ili kuvate hranu/tečnost namenjenu bebama. Preporučljivo je da nikada ne konzumirate hranu/tečnost direktno iz rerne, već ostavite da odstoji nekoliko minuta te promešajte hranu/tečnost da se toplota ravnomerno rasporedi.
13. Hrana koja sadrži mešavinu masti i vode, kao što je bujon, bi trebalo da odstoji u rerni 30–60 sekundi nakon isključivanja rerne. Ovo treba uraditi zbog toga da se omogući smesi da se slegne i da se spreči ključanje kada se stavi kašika u hranu/tečnost ili kada se doda kockica bujona.
14. Kada pripremate/kuvate hranu/tečnost, ne zaboravite da postoje određene namirnice, kao što su božićni pudinzi, džem i mleveno meso, koje se brzo zagrevaju. Kada grejete ili kuvate namirnice sa visokim sadržajem masti ili šećera, nemojte koristiti plastične posude.
15. Pribor za kuvanje može postati vruć zbog toplote koja se prenosi sa zagrejane hrane. Ovo je naročito tačno ako plastična folija prekriva gornji deo i drške pribora. Za rukovanje priborom će možda biti potrebne kuhinjske rukavice.
16. Da biste smanjili rizik od požara unutar rerne:
 - a) Ne kuvajte hranu predugo. Pažljivo rukujte mikrotalasnom rernom ako stavite papir, plastiku ili drugi zapaljivi materijal unutar rerne da bi se olakšalo kuvanje.
 - b) Pre nego što stavite kesicu u rernu, skinite žičicu za zatvaranje kesice.
 - c) Ako se materijali unutar rerne zapale, držite vrata rerne zatvorenima, isključite rernu iz utičnice ili isključite napajanje na razvodnoj ploči ili isključite prekidače napajanja.

RAD KONTROLNE TABLE



EKRAN

Prikazuje sat, vreme kuvanja i podešavanja.

ODMRZAVANJE

Koristite ovaj taster da odmrznete hranu prema vremenu ili težini hrane

MIKROT.

Koristite ovaj taster da izaberete nivo snage mikrotalasne rerne.

SAT

Držite ovaj taster 3 sekunde da podesite sat.

TAJMER

Koristite ovu tipku da podesite funkciju tajmera.

IKONE

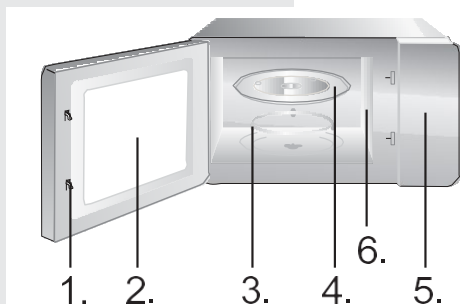
Pomoću ovih tastera podesite vreme i težinu hrane te izaberite programe automatskog menija.

ZAUSTAVI/PREKINI

Koristite ovaj taster da zaustavite ili poništite podešavanje. Držite 3 sekunde za bezbednosno zaključavanje za decu

START/+30 SEK

Koristite ovaj taster za brzi početak kuvanja od 30 sekundi, produžite vreme kuvanja za 30 sekundi (svakim pritiskom) ili potvrdite podešavanja kuvanja.



1. Sistem bezbednosnog zaključavanja vrata
2. Prozor rerne
3. Rotirajući prsten
4. Staklena tacna
5. Kontrolna tabla
6. Talasovod (ne vadite silikatnu ploču koja prekriva talasovod)

Postoji deset nivoa snage mikrotalasa, 100P, 90P, 80P, 70P, 60P, 50P, 40P, 30P, 20P i 10P. Okrenite dugme ispod da biste povećali ili smanjili vreme kuvanja, vremenski opseg se može izabrati od 0:10 do 60:00. Nakon što izaberete vreme, pritisnite dugme „START/+30s.” za početak rada. Zvučni signal obaveštava o završetku rada.

VISOKA	100% i 90% izlazne snage	(Primenljivo za brzo i temeljno kuvanje)
Srednje visoka	80% i 70% izlazne snage	(Primenljivo za srednje brzo kuvanje)
Srednja	60% i 50% izlazne snage	(Primenljivo za kuvanje hrane na pari)
Srednje niska	40% i 30% izlazne snage	(Primenljivo za odmrzavanje hrane)
NISKA	20% i 10% izlazne snage	(Primenljivo za održavanje toplote)

 **OPREZ**

- a. Maksimalno vreme koje se može podesiti je 60 minuta
- b. Nikada ne uključujte rernu kada je prazna.
- c. Na maksimalnoj snazi mikrotalasnne rerne, rerna će automatski smanjiti snagu nakon određenog vremena kuvanja kako bi se produžio radni vek.
- d. Ako tokom rada okrećete hranu, pritisnite dugme **START/+30s** jednom i nastaviće se unapred podešeni postupak kuvanja.

**ODMRZAVANJE/
VREMENSKO
ODMRZAVANJE**

e. Ako nameravate da izvadite hranu pre unapred podešenog vremena, morate jednom pritisnuti dugme **ZAUSTAVI/PREKINI** da biste obrisali unapred podešeni postupak kako biste izbegli neželjeni rad prilikom sledeće upotrebe.

Postoje dva režima odmrzavanja, dEF1 i dEF2, tim redosledom. dEF1 za odmrzavanje prema težini i dEF2 za odmrzavanje prema vremenu. Pritisnite ovo dugme da biste izabrali odmrzavanje prema težini ili vremenu, a na ekranu će se prikazati „dEF1” ili „dEF2”. Okrenite dugme da biste izabrali težinu hrane ili vreme odmrzavanja. Opseg težine dEF1 je od 100 do 1500 g, a maksimalno vreme dEF2 je 60:00. Nakon odabira težine ili vremena odmrzavanja, pritisnite dugme "START/+30s" za početak rada. Zvučni signal obaveštava o završetku rada. Režim odmrzavanja dEF1 prema težini će imati zvučni signal koji će vas podsetiti da okrenete hranu tokom odmrzavanja.

U nastavku vam donosimo nekoliko saveta o vremenu odmrzavanja hrane:

dEF1	Za odmrzavanje, opseg težine je od 100 g do 1500 g.
dEF2	Za odmrzavanje, maksimalno vreme je 60:00.

OPREZ

- a. Tokom postupka hranu treba da okrenete kako bi se obezbedilo ravnomerno odmrzavanje.
- b. Obično je za odmrzavanje potrebno više vremena nego za kuvanje hrane.
- c. Smatra se da je postupak odmrzavanja završen kada hranu možete da presečete nožem.
- d. Kod većine namirnica, mikrotalasi prodiru 4 cm u dubinu
- e. Odmrznuta hrana treba da se konzumira što je pre moguće, ne preporučuje se ponovno stavljanje u frižider i zamrzavanje.

SAT (24-časno vreme)

U režimu pripravnosti, držite dugme „ODMRZAVANJE/SAT” duže od 3 sekunde da biste ušli u interfejs za podešavanje sata. Istovremeno, sati trepere na ekranu. Okretanjem dugmeta možete da podesite sate. Nakon podešavanja sata, kratko pritisnite dugme "START/+30s" da biste prešli na režim podešavanja minuta. Okretanjem dugmeta možete da podesite minute. Nakon podešavanja minuta, ponovo pritisnite dugme „START/+30s” da biste izašli iz režima podešavanja.

Postoji osam automatskih menija A.1 ~ A.8, Krumpir, Testenina, Pica, Kokice, Povrće, Piće, Meso i Riba. Pritisnite dugme „Meni” neprekidno da biste izabrali željeni meni, a zatim okrenite dugme da biste izabrali težinu u meniju. Nakon odabira kuvanja prema težini, pritisnite dugme „START/+30s” za početak rada. Zvučni signal obaveštava o završetku rada.

Ekran	Vrsta hrane	Metoda
A.1	Krompir	Opciona težina je 250 g, 500 g i 750 g
A.2	Testenina	Opciona težina je 50 g, 100 g i 150 g
A.3	Pica	Opciona težina je 200 g i 400 g
A.4	Kokice	Opciona težina je 100 g
A.5	Povrće	Opciona težina je 200 g, 400 g i 600 g
A.6	Piće	Opciona težina je 1 šolja, 2 šolje ili 3 šolje, svaka oko 250 ml.
A.7	Meso	Opciona težina je 200 g, 400 g i 600 g
A.8	Riba	Opciona težina je 200 g, 400 g i 600 g

OPREZ

- a. Temperatura hrane pre kuvanja treba da bude 20-25 °C. Viša ili niža temperatura hrane pre kuvanja zahteva povećanje ili smanjenje vremena kuvanja.
- b. Temperatura, težina i oblik hrane imaju značajan uticaj na efekat kuvanja. Ako je došlo do odstupanja od elemenata navedenih u gornjem meniju, vreme kuvanja može da se podesi da bi se postigli najbolji rezultati.

TAJMER

U režimu pripravnosti, pritisnite ovo dugme da biste ušli u interfejs podešavanja, a na ekranu će se prikazati ikona funkcije odbrojavanja i „0:00”. Okrenite dugme za podešavanje vremena, maksimalno vreme koje se može uneti je 60:00. Nakon podešavanja vremena, pritisnite dugme „START/+30s” da biste pokrenuli odbrojavanje. Zvučni signal obaveštava o završetku odbrojavanja

**PODGREVANJE/
ECO
PODGREVANJE**

Funkcija podgrevanja uglavnom olakšava korisnicima podgrevanje hrane prema težini hrane. Okrenite dugme za odabir odgovarajuće težine hrane, opcione težine su 200 g, 400 g, 600 g, 800 g i 1000 g. Nakon što izaberete težinu, pritisnite dugme „START/+30s.” za početak rada. Zvučni signal obaveštava o završetku rada.

ECO

U režimu pripravnosti, pritisnite i držite taster za podgrevanje 3 sekunde da biste uključili funkciju ECO, a ekran će se isključiti. Kada uključujete funkciju ECO, pritisnite bilo koje dugme da biste isključili funkciju ECO.

STOP

U procesu podešavanja kuvanja, možete da pritisnete dugme „STOP” da biste otkazali podešavanja i vratili se u stanje pripravnosti. Tokom rada mikrotalasne rerne, možete da pritisnete dugme „STOP” da biste pauzirali. U stanju pripravnosti, možete ponovo pritisnuti dugme „STOP” da biste otkazali funkciju i vratili se u stanje pripravnosti.

START/+30s

Nakon podešavanja vremena kuvanja ili težine hrane, pritisnite dugme „START/+30s” da biste odmah pokrenuli mikrotalasnu rernu. Tokom rada rerne, možete da pritisnete dugme „START/+30s” da biste povećali vreme, pritisnite jednom da biste povećali za 30 sekundi, ali režim menija i režim odmrzavanja prema težini ne mogu da podese vreme. Tokom pauze, možete da pritisnete dugme „START/+30s” za nastavak rada mikrotalasne rerne pre režima kuvanja.

EKSPRESNO

U režimu pripravnosti, nakon stavljanja hrane i zatvaranja vrata, pritisnite dugme „START/+30s” za brzo pokretanje mikrotalasne rerne. Podrazumevano radno vreme je 30 sekundi. Tokom rada pritisnite dugme „START/+30s” jednom na 30 sekundi. Zvučni signal obaveštava o završetku rada.

BEZBEDNOSNA BLOKADA ZA DECU

Koristite ovu funkciju da zaključate kontrolnu tablu dok čistite ili da deca ne mogu da koriste rernu bez nadzora. U ovom režimu su onemogućena sva dugmad.

- 1) Podesite zaključavanje: U režimu pripravnosti, pritisnite dugme „STOP” duže od 3 sekunde, funkcija blokade za decu je zaključana i ne mogu se koristiti dugmad mikrotalasne rerne.
- 2) Otkazite zaključavanje: U stanju blokade za decu, pritisnite taster „STOP” duže od 3 sekunde da biste otkazali funkciju blokade za decu.

UPUTSTVO ZA POSUĐE

Preporučuje se upotreba posuda koje su pogodne i bezbedne za kuvanje u mikrotalasnoj rerni. Generalno govoreći, posude koji su napravljene od keramike, stakla ili plastike otporne na toplotu pogodne su za kuvanje u mikrotalasnoj rerni. Nikada ne koristite metalne posude za kuvanje u mikrotalasnoj rerni i kombinovano kuvanje jer može doći do iskrenja. Možete da pogledate preporuke u donjoj tabeli.

Materijal posude	Mikrotalasna rerna	Napomene
Keramika otporna na toplotu	Da	Nikada ne koristite keramiku koja je na ivicama ukrašena metalom ili koja je ostakljena
Plastika otporna na toplotu	Da	Ne može se koristiti za dugotrajno kuvanje u mikrotalasnoj rerni
Staklo otporno na toplotu	Da	
Rešetka za roštilj	Ne	
Plastična folija	Da	Ne sme se koristiti prilikom pečenja mesa ili kotleta, jer previsoka temperatura može da ošteti foliju

Sledeći faktori mogu uticati na rezultat kuvanja:

Raspoređivanje hrane

Postavite deblje delove prema spoljašnjosti posude, tanji deo prema sredini i ravnomerno rasporedite. Ne stavljajte delove hrane jedan na drugi ako je to moguće.

Vreme kuvanja

Započnite kuvanje sa kratkim podešavanjem vremena, procenite ga nakon što istekne i produžite ga prema stvarnim potrebama. Prekomerno kuvanje može dovesti do dima i opekotina.

Ravnomerno kuvanje hrane

Hranu kao što je piletina, hamburger ili biftek treba okrenuti jednom tokom kuvanja.

U zavisnosti od vrste hrane, ako je primenljivo, mešajte je od spolja do sredine posude jednom ili dva puta tokom kuvanja

Omogućite vreme mirovanja

Nakon isteka vremena kuvanja, ostavite hranu u rerni odgovarajuće vreme, što joj omogućava da završi svoj ciklus kuvanja i da se postepeno ohladi.

Da li je hrana gotova

Boja i tvrdoća hrane pomažu da se utvrdi da li je gotova, a to uključuje:

- Para izlazi iz svih delova hrane, ne samo sa ivice
- Zglobovi živine se mogu lako pomerati
- Nema znakova krvi na svinjetini ili peradi.
- Riba je neprozirna i lako se seče viljuškom

Posuda za pečenje

Kada koristite posudu za pečenje ili posudu za samozagrevanje, uvek postavite izolator otporan na toplotu, kao što je porcelanski tanjir, da biste sprečili oštećenje rotirajućeg tanjira i rotirajućeg prstena.

Plastična folija koja se može koristiti u mikrotalasnoj rerni

Kada pečete hranu sa visokim sadržajem masti, ne dozvolite da plastična folija dođe u kontakt sa hranom, jer se može istopiti

Plastično posuđe koje se može koristiti u mikrotalasnoj rerni

Neke plastične posude koje se mogu koristiti u mikrotalasnoj rerni možda nisu pogodne za pečenje hrane sa visokim sadržajem masti i šećera. Takođe, ne sme se prekoračiti vreme podgrevanja navedeno u uputstvu za upotrebu posuđa

ODRŽAVANJE

SERVISIRANJE

Proverite sledeće pre nego što pozovete servis.

1. Stavite jednu šolju vode (oko 150 ml) u staklenu meru u rernu i čvrsto zatvorite vrata. Lampica rerne treba da se isključi ako su vrata pravilno zatvorena. Pustite rernu da radi 1 minut.

2. Da li lampica rerne svetli?

3. Da li ventilator radi?

(Stavite ruku preko zadnjih ventilacionih otvora.)

4. Da li se rotirajući tanjir okreće?

(Rotirajući tanjir se može okretati u smeru kazaljke na satu ili u suprotnom smeru. To je sasvim normalno.)

5. Da li je voda u retni vruća?

Ako je „NE” odgovor na bilo koje od gore navedenih pitanja, molim vas da proverite zidnu utičnicu i osigurač u kutiji sa osiguračima. Ako i zidna utičnica i osigurač funkcionišu ispravno, **OBRATITE SE NAJBLIŽEM ODOBRENOM SERVISNOM CENTRU.**

GARANCIJA SERVISIRANJA

Oprez: MIKROTALASNO ZRAČENJE

1. Visokonaponski kondenzator ostaje napunjen strujom nakon isključivanja; spojite kontakte negativnog terminala visokonaponskog kondenzatora i kućišta rerne (šrafčigerom) za pražnjenje pre dodirivanja.

2. Tokom servisiranja, dole navedeni delovi se mogu ukloniti da bi se omogućio pristup potencijalima iznad 250 V na uzemljenje.

- Magnetron
- Visokonaponski transformator
- Visokonaponski kondenzator
- Visokonaponska dioda
- Visokonaponski osigurač

3. Sledeća stanja mogu da izazovu nepotrebnu izloženost mikrotalasima tokom servisiranja.

- Nepravilno postavljanje magnetrona;
- Nepravilno podudaranje brave vrata, šarke vrata i vrata;
- Nepravilno postavljanje nosača prekidača;
- Vrata, zaptivka vrata ili kućište su oštećeni.

SPECIFIKACIJE

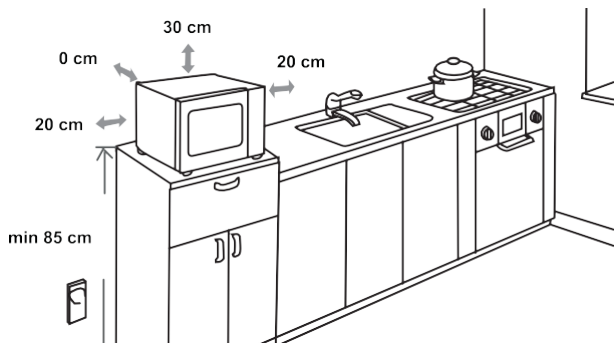
Potrošnja struje	220-240 V ~50 Hz, 1280 W
Izlazna snaga.....	800 W
Radna frekvencija.....	2450 MHz
Spoljašnje dimenzije	480× 295 x 352 mm
Kapacitet rerne	23 litara
Težina bez pakovanja.....	Pribl. 11.7 kg
Nivo buke	Lc ≤61 dB (A)



Ovaj uređaj je označen u skladu sa Evropskom direktivom 2012/19/EU o otpadu električne i elektronske opreme (WEEE).

Ovo uputstvo je u skladu sa važenjem povrata i reciklaže otpadne električne i elektronske opreme širom Evrope.

DIMENZIJE PRILIKOM MONTAŽE



Mikrotalasna rerma može da izazove smetnje na radiju, TV-u ili sličnoj opremi. Kada dođe do smetnji, one mogu biti uklonjene ili smanjene sledećim postupcima.

- a) Očistite vrata i površine zaptivki na rerni.
- b) Postavite radio, TV i slične uređaje što dalje od mikrotalasne rerne.
- c) Koristite pravilno instaliranu antenu za radio, TV i slične uređaje kako biste primali jak signal.

ZADRŽAVAMO PRAVO DA IZVRŠIMO BILO KAKVE PROMENE KOJE NE UTIČU NA FUNKCIONALNOST UREĐAJA.

Hisense

ШАНОВНИЙ КЛІЄНТЕ!

Щиро дякуємо за покупку. Ми впевнені, незабаром у вас буде достатньо доказів, що ви дійсно можете покладатися на нашу продукцію. Аби полегшити користування приладом, ми додаємо цю вичерпну інструкцію.

Ці інструкції допоможуть вам ознайомитися з новим приладом. Уважно прочитайте їх перед першим використанням приладу.

У будь-якому разі переконайтеся, що ви отримали неушкоджений прилад. Якщо ви виявите пошкодження, що виникли під час транспортування, зверніться до свого торгового представника чи до регіонального складу, звідки був доставлений продукт. Номер телефону наведено в чеку чи у звіті про отримання.

Бажаємо отримати задоволення від вашого нового побутового приладу.



Прилад для побутового використання з метою нагрівання їжі та напоїв з використанням електромагнітної енергії, тільки для використання у закритих приміщеннях.

ІНСТРУКЦІЇ ЩОДО ЕКСПЛУАТАЦІЇ

Ці інструкції призначено для користувачів. В них наведено опис плити та способів використання. Ці інструкції також стосуються різних типів приладів, тому описи деяких функцій можуть не стосуватися вашого приладу.

Ми зберігаємо за собою право на будь-які зміни та помилки в інструкціях з використання.



Ніколи не торкайтеся поверхонь нагрівальних приладів або приладів для приготування їжі. Вони нагріваються під час роботи. Тримайте дітей на безпечній відстані. Стережіться опіків!



Мікрохвильова енергія та висока напруга! Не знімайте кришку.

ПОПЕРЕДЖЕННЯ. Під час роботи прилад і його відкриті частини нагріваються. Не торкайтеся елементів, які нагріваються під час роботи. Не підпускайте до приладу дітей віком до 8 років без постійного нагляду. Стежте, щоб діти не гралися з приладом.

Цей прилад можна використовувати дітям віком від 8 років, а також особам з обмеженими фізичними, сенсорними або розумовими здібностями чи з нестачею досвіду та знань, якщо вони перебувають під наглядом або отримали вказівки стосовно безпечного використання приладу та розуміють пов'язану з цим небезпеку. Не дозволяйте дітям грати з приладом. Чищення та обслуговування не повинно виконуватися дітьми, якщо вони не досягли 8-річного віку та не перебувають під наглядом.

Тримайте прилад і шнур в місці, що є недоступним для дітей віком до 8 років.

- **ПОПЕРЕДЖЕННЯ.** Коли прилад працює в комбінованому режимі, діти мусять використовувати піч виключно під наглядом дорослих через високі температури (тільки для моделі з грилем)

- **ПОПЕРЕДЖЕННЯ!** Якщо дверцята чи ущільнювачі дверцят пошкоджено, піч не можна використовувати, доки її не відремонтує кваліфікована особа;
- **ПОПЕРЕДЖЕННЯ!** Виконувати будь-які операції з обслуговування чи ремонту, що передбачають зняття кришки захисту від впливу мікрохвильової енергії, небезпечно для кожного, крім компетентних спеціалістів;
- **ПОПЕРЕДЖЕННЯ!** Рідини та інші продукти не можна нагрівати в герметичних контейнерах, адже вони можуть вибухнути.
- Стежте, щоб діти не гралися з приладом.
- Не знімайте з печі підставки та не блокуйте отвори для повітря.
- Використовуваний кухонний посуд має бути придатним для застосування в мікрохвильових печах.
- При нагріванні їжі в пластиковій або паперовій ємності стежте за піччю через можливість займання;
- якщо спостерігається дим, вимкніть прилад або від'єднайте його від електромережі та тримайте двері закритими, щоб запобігти утворенню полум'я;
- мікрохвильове нагрівання напоїв може призвести до затриманого бурхливого кипіння, тому поводитися з контейнерами з рідиною необхідно обережно;
- вміст пляшечок для годування та банок з дитячим харчуванням слід перемішувати чи струшувати, а також перевіряти температуру перед уживанням, аби уникнути опіків;

- яйця у шкаралупі та цілі варені яйця не слід нагрівати в мікрохвильових печах, оскільки вони можуть вибухнути, навіть після завершення мікрохвильового нагрівання;
- Під час очищення поверхонь дверцят, ущільнення дверей або порожнини печі використовуйте лише м'які, неабразивні миючі засоби, нанесені за допомогою губки чи м'якої тканини.
- Чистити піч і видаляти з неї будь-які залишки продуктів необхідно регулярно.
- Якщо піч буде брудна, то бруд може призвести до псування поверхні, що може погано вплинути на термін експлуатації приладу та спричинити виникнення небезпечних ситуацій.
- Якщо шнур живлення пошкоджений, з метою уникнення небезпеки його має бути замінено виробником, його представником з обслуговування чи аналогічною кваліфікованою особою.
- Не допускайте, щоб шнур звисав з краю столу або робочої поверхні.
- Ніколи не підключайте цей прилад до зовнішнього вимикача з таймером або системи дистанційного керування, щоб уникнути небезпечних ситуацій.
- Ніколи не замінюйте лампу всередині печі. Це мають робити спеціалісти Hisense.
- Не очищайте прилад пароочисниками, засобами для очищення під високим тиском, гострими предметами, абразивними засобами для очищення, абразивними губками та засобами для видалення плям.

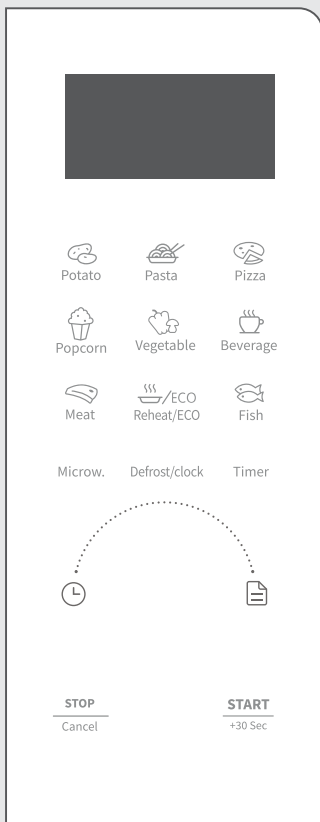
ІНСТРУКЦІЇ З БЕЗПЕКИ ДЛЯ ЗАГАЛЬНОГО ВИКОРИСТАННЯ

Нижче наведено певні правила, яких слід дотримуватися, та заходи безпеки, щоб забезпечити найвищу продуктивність цієї печі:

1. Під час роботи печі скляна таця, роликоче кільце, муфта та роликоча доріжка мають завжди бути на місці.
2. Не використовуйте піч з жодною метою, що не стосується приготування їжі, наприклад, для сушіння одягу, паперу чи будь-яких інших непродовольчих товарів або для стерилізації.
3. Не використовуйте піч, коли вона порожня. Через це піч може бути пошкоджено.
4. Не використовуйте порожнину печі для зберігання жодних предметів, як от папери, кулінарні книги тощо.
5. Не готуйте продукти в оболонці чи у шкірці, наприклад, яєчні жовтки, картопля, куряча печінка тощо. Такі продукти слід спочатку проколоти кілька разів, наприклад, виделкою.
6. Не вставляйте жодних предметів у отвори на корпусі ззовні.
7. У жодному разі не знімайте з печі такі деталі, як підставки/ніжки, муфта, гвинти тощо.
8. Не готуйте їжу безпосередньо на скляній таці. Кладіть їжу в/на належний кухонний посуд, перш ніж розташовувати її в печі.
ВАЖЛИВО! В МІКРОХВИЛЬОВІЙ ПЕЧІ НЕ МОЖНА ВИКОРИСТОВУВАТИ КУХОННЕ НАЧИННЯ
 - Не використовуйте металеві пательні чи посуд із металевими ручками.
 - Не використовуйте жодного посуду з металевим обідком.
 - Знімайте з поліетиленових пакетів вкриті папером дротяні стяжки.
 - Не використовуйте меламіновий посуд, оскільки в ньому мититься речовина, що поглинає мікрохвильову енергію. Це може призвести до того, що посуд трісне чи згорнеться, а швидкість приготування сповільниться.
 - Не використовуйте столовий посуд Centura. Глазур не придатна для використання в мікрохвильовій печі. Забороняється використовувати закриті чашки з ручкою Corelle Livingware.
 - Не готуйте в контейнері з закритим отвором, наприклад, у пляшці з закрученою кришкою чи закритій пляшці з олією, оскільки за нагрівання в мікрохвильовій печі вони можуть вибухнути.
 - Не використовуйте звичайні м'ясні або цукеркові термометри.
 - Є термометри, спеціально придатні для приготування їжі в мікрохвильовій печі. Такі термометри використовувати можна.
9. Посуд, придатний для використання в мікрохвильовій печі, слід використовувати лише відповідно до інструкцій виробника.
10. Не намагайтеся смажити продукти в цій печі.
11. Пам'ятайте, що мікрохвильова піч нагріває рідину лише в контейнері, а не сам контейнер. Таким чином, навіть якщо кришка контейнера не

- гаряча на дотик, коли ви виймаєте контейнер з печі, пам'ятайте, що коли кришку знімають, їжа/рідина всередині виділятиме таку ж кількість пари та/або плескати, як і при звичайному готуванні їжі.
12. Завжди перевіряйте температуру приготованої їжі самостійно, особливо якщо нагріваєте чи готуєте їжу/рідину для немовлят. Доцільно ніколи не споживати їжу/рідину безпосередньо з печі, але дати їй постояти кілька хвилин і перемішати їжу/рідину для рівномірного розподілу тепла.
 13. Їжа, що містить суміш жиру та води, наприклад, бульйон, повинна постояти протягом 30-60 секунд у духовці після її вимикання. Це дозволить суміші заспокоїтися та запобігти кипінню при зануренні в їжу/рідину ложки чи бульйонних кубиків.
 14. При приготуванні їжі/рідини пам'ятайте, що є певні продукти, наприклад, різдвяний пудинг, джем і фарш, які нагріваються дуже швидко. При нагріванні чи приготуванні продуктів з високим вмістом жиру чи цукру не використовуйте пластикові контейнери.
 15. Кухонний посуд може стати гарячим через тепло, що передається від нагрітої їжі. Особливо це стосується пластикового шару, що покриває верхню частину та ручки посуду. Користуйтеся рукавичками чи прихватками.
 16. Аби зменшити ризик утворення полум'я в порожнині печі:
 - a) Не перегрівайте їжу. Ретельно наглядайте за мікрохвильовою піччю, якщо всередині печі для полегшення приготування їжі присутній папір, пластик або інші горючі матеріали.
 - b) Знімайте з пакетів дротяні стяжки перед тим, як помістити їх у піч.
 - c) Якщо матеріали всередині печі спалахнуть, не відкривайте дверцята печі, від'єднайте піч від електромережі або вийміть запобіжник або вимкніть автоматичний вимикач на електрощитку.

ЕКСПЛУАТАЦІЯ ПАНЕЛІ КЕРУВАННЯ



ДИСПЛЕЙ

Містить годинник, час готування й налаштування.

РОЗМОРОЖУВАННЯ

Кнопка для розморожування їжі за часом і вагою MICROW.

Кнопка для вибору рівня потужності мікрохвильової печі.

ГОДИННИК

Утримуйте цю кнопку протягом 3 секунд, аби налаштувати годинник.

ТАЙМЕР

Кнопка налаштування таймера.

ЗНАЧКИ

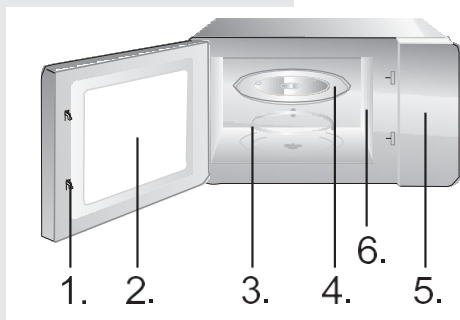
Кнопка налаштування часу й ваги їжі та вибору автоматичної програми.

STOP/CANCEL

Кнопка, щоб зупинити чи скасувати налаштування. Щоб увімкнути блокування доступу дітей, утримуйте кнопку 3 сек.

START/+30 SEC

Кнопка, що дозволяє швидко почати готування їжі протягом 30 секунд, збільшувати час готування на 30 секунд (за кожне натискання) чи підтвердити налаштування готування їжі.



1. Система захисних замків дверцят
2. Вікно печі
3. Роликове кільце
4. Скляна таця
5. Панель керування
6. Хвилевід (не знімайте слюдяну пластину, що закриває хвилевід)

ФУНКЦІЯ МІКРОХВИЛЬ

Є десять рівнів мікрохвильової потужності: 100P, 90P, 80P, 70P, 60P, 50P, 40P, 30P, 20P та 10P, відповідно. Поверніть ручку нижче, щоб збільшити чи зменшити час готування. Діапазон часу можна вибрати від 0:10 до 60:00. Після вибору часу натисніть кнопку **START/+30S**, аби почати роботу печі. Після завершення роботи пролунає звуковий сигнал.

HIGH	100% і 90% вихідної потужності	(для швидкого й ретельного готування)
M.High	80% і 70% вихідної потужності	(для експрес-готування на середній потужності)
Med	60% і 50% вихідної потужності	(для готування їжі на парі)
M.Low	40% і 30% вихідної потужності	(для розморожування їжі)
LOW	20% і 10% вихідної потужності	(для підтримки температури їжі)

УВАГА

- a. Максимальний час, який можна встановити, становить 60 хвилин
- b. Ніколи не вмикайте піч порожньою.
- c. При максимальній потужності мікрохвиль піч автоматично знижує потужність після певного часу готування, щоб подовжити термін експлуатації.
- d. Якщо ви перевертаєте їжу під час роботи, натисніть **START/+30s** натисніть кнопку один раз, і попередньо встановлена процедура готування продовжиться.

**РОЗМОРОЖУВАННЯ/
РОЗМОРОЖУВАННЯ
ЗА ЧАСОМ**

е. Якщо потрібно вийняти їжу до встановленого часу, натисніть кнопку **STOP/CANCEL** один раз, щоб очистити попередньо вибрану процедуру й уникнути ненавмисного повторного використання поточних налаштувань.

Існує два режими розморожування: dEF1 і dEF2. dEF1 — розморожування за вагою, dEF2 — за часом. Натисніть цю кнопку, щоб вибрати розморожування за вагою чи часом, і на дисплеї відобразиться dEF1 або dEF2. Поверніть ручку та виберіть вагу чи час розморожування. Для dEF1 діапазон ваги становить від 100 до 1500 г, а для dEF2 максимальний час становить 60:00. Після вибору ваги натисніть кнопку START/+30S, щоб почати розморожування. Після завершення роботи пролунає звуковий сигнал. У режимі розморожування за вагою dEF1 лунатиме звуковий сигнал. Це означає, що їжу треба перевернути.

Нижче наведено деякі поради щодо часу розморожування продуктів:

dEF1	Для розморожування ваговий діапазон становить від 100 г до 1500 г.
dEF2	Для розморожування максимальний час — 60:00.

 **УВАГА**

- a. Необхідно перевернути їжу під час розморожування, щоб отримати рівномірний ефект.
- b. Зазвичай розморожування потребує більше часу, ніж приготування їжі.
- c. Якщо їжу можна відрізати ножем, процес розморожування можна вважати завершеним.
- d. Мікрохвильові промені проникають приблизно на 4 см всередину більшості продуктів харчування
- e. Розморожену їжу слід ужити якомога швидше, не рекомендується знову ставити її в холодильник або знову заморозувати.

ГОДИННИК
(формат 24 години)

У режимі очікування натисніть і утримуйте кнопку DEFROST/CLOCK більше 3 секунд, аби перейти до налаштування годинника. При цьому на дисплеї блиматимуть розряди годин. Години можна встановити, повернувши ручку. Після налаштування годин натисніть кнопку START/+30s, аби перейти в режим налаштування хвилин. Хвилини можна встановити, повернувши ручку. Після встановлення хвилин знову натисніть кнопку START/+30s, щоб вийти з режиму налаштування.

АВТОМАТИЧНЕ ГОТУВАННЯ

Існує вісім автоматичних меню А.1~А.8, Картопля, макарони, піца, попкорн, овочі, напої, м'ясо та риба відповідно. Аби вибрати потрібне меню, натисніть кнопку Menu. Потім поверніть ручку, щоб вибрати вагу продуктів, що будуть готуватися. Після вибору ваги продуктів натисніть кнопку START/+30S, аби почати роботу печі. Після завершення роботи пролунає звуковий сигнал.

Дисплей	Продукт	Метод
А.1	Картопля	Вага: 250 г, 500 г і 750 г
А.2	Макарони	Вага: 50 г, 100 г і 150 г
А.3	Піца	Вага: 200 г і 400 г
А.4	Попкорн	Вага 100 г
А.5	Овочі	Вага: 200 г, 400 г і 600 г
А.6	Напої	Вага: 1 чашка, 2 чашки чи 3 чашки об'ємом 250 мл кожна.
А.7	М'ясо	Вага: 200 г, 400 г і 600 г
А.8	Риба	Вага: 200 г, 400 г і 600 г

 **УВАГА**

а. Температура продуктів перед готуванням має становити 20-25°C. Їжа, температура якої перед приготуванням вища чи нижча, потребуватиме збільшення чи зменшення часу готування.

б. Температура, вага та форма продуктів суттєво впливають на процес готування. Якщо було виявлено відхилення від пропорцій, наведених вище в меню, відповідно налаштуйте час приготування для найкращого результату.

TIMER

У режимі очікування натисніть цю кнопку, щоб увійти в інтерфейс налаштування. На дисплеї з'явиться значок функції зворотного відліку та 0:00. Поверніть ручку, щоб установити час. Максимальний час, який можна ввести, — 60:00. Після вибору часу натисніть кнопку START/+30s, аби почати відлік. Після завершення відліку пролунає звуковий сигнал.

**НАГРІВАННЯ/
НАГРІВАННЯ ECO**

Функція розігріву в основному полягає в тому, щоб полегшити користувачам нагрівання їжі відповідно до ваги їжі. Поверніть ручку, щоб вибрати потрібну вагу (200 г, 400 г, 600 г, 800 г і 1000 г). Після вибору ваги натисніть кнопку START/+30S, аби почати роботу печі. Після завершення роботи пролунає звуковий сигнал.

ECO

Щоб увімкнути режим ECO, в режимі очікування натисніть і утримуйте кнопку Reheat протягом 3 секунд, після чого дисплей вимкнеться. Аби вимкнути режим ECO, натисніть будь-яку кнопку.

STOP

Аби скасувати налаштування та повернутися до режиму очікування під час готування, натисніть кнопку STOP. У процесі роботи мікрохвильової печі можна натиснути кнопку STOP, щоб призупинити роботу. У режимі очікування можна знову натиснути кнопку STOP, щоб скасувати функцію та повернутися до режиму очікування.

START/+30s

Після вибору часу готування чи ваги продуктів натисніть кнопку START/+30S, аби негайно запустити мікрохвильову піч. Коли піч працює, можна натиснути кнопку START/+30S, аби збільшити час. Натисніть один раз, щоб збільшити час на 30 секунд. Але в режимі програми готування та в режимі розморожування за вагою час змінити не можна. У стані паузи можна натиснути кнопку START/+30S, аби продовжити роботу мікрохвильової печі.

ЕКСПРЕС-НАГРІВАННЯ

У режимі очікування після того, як поставите їжу в піч і закриєте дверцята, натисніть кнопку START/+30s, аби швидко запустити мікрохвильову піч. Час роботи за умовчанням 30 секунд. У процесі роботи натисніть кнопку START/+30s один раз, аби додати 30 секунд. Після завершення роботи пролунає звуковий сигнал.

ФУНКЦІЯ БЛОКУВАННЯ ДОСТУПУ ДІТЕЙ

Використовуйте цю функцію, щоб заблокувати панель керування під час прибирання, або щоб діти не могли користуватися піччю без нагляду. У цьому режимі жодна кнопка не реагує на натискання.

- 1) Як заблокувати піч: у режимі очікування натисніть і утримуйте кнопку STOP більше 3 секунд. Функцію блокування доступу дітей буде ввімкнено. Жодною кнопкою мікрохвильової печі не можна буде скористатися.
- 2) Як скасувати блокування: у стані блокування натисніть і утримуйте кнопку STOP більше 3 секунд.

РЕКОМЕНДАЦІЇ ЩОДО ПОСУДУ

Наполегливо рекомендується використовувати відповідний посуд, що є безпечним для використання в мікрохвильовій печі. Загалом, для використання в мікрохвильовій печі підходить посуд з термостійкої кераміки, скла чи пластику. При готуванні їжі в мікрохвильовій печі та при використанні комбінованих режимів ніколи не користуйтеся металевим посудом, оскільки ймовірно виникнення іскріння. Докладнішу інформацію наведено в таблиці нижче.

Матеріал посуду	Мікрохвилі	Примітки
Термостійка кераміка	Так	Ніколи не використовуйте керамічний посуд з металевим ободом або полив'яний керамічний посуд.
Термостійкий пластик	Так	Не можна використовувати для тривалого приготування в мікрохвильовій печі
Термостійке скло	Так	
Полиця гриля	Ні	
Пластикова плівка	Так	Не слід використовувати для готування м'яса чи відбивних, оскільки надмірна температура може пошкодити плівку

На результат готування можуть вплинути наступні фактори:

Розташування продуктів

Товстіші продукти розташуйте ближче до зовнішньої сторони посуду, тонші частини ближче до центру та рівномірно. Не накладайте продукти один на один, якщо це можливо.

Тривалість готування

Почніть гувати протягом короткого часу, потім оцініть ступінь готовності, коли час спливе. Продовжте за потреби. Надмірне готування їжі може призвести до утворення диму та опіків.

Рівномірне готування їжі

Курку, гамбургери чи стейки під час готування слід перевертати один раз.

Залежно від типу їжі, за можливості, перемішуйте її ззовні до центру один або два рази під час готування

Дайте страві настоятися

Після закінчення часу приготування залиште їжу в печі на достатній час. Це дозволяє завершити цикл готування та поступово охолодити їжу.

Чи готова їжа

Колір і твердість їжі допомагають визначити, чи готова їжі. Сюди входять:

- Пара йде з усіх частин їжі, не тільки з країв
- Суглоби птиці можна легко переміщати
- Свинина чи птиця не мають ознак крові
- Риба непрозора, її можна легко розділити виделкою

Підсмажування страви

При використанні посуду для підсмажування чи самонагрівальної ємності завжди розміщуйте під ним термостійкий ізолятор, як-от порцелянова пластина, щоб запобігти пошкодженню поворотного столу та обертового кільця.

Пластикова обгортка, безпечна для мікрохвиль

При приготуванні їжі з високим вмістом жиру не допускайте контакту пластикової обгортки з їжею, оскільки плівка може розплавитися.

Пластиковий посуд, безпечний для мікрохвиль

Деякий пластиковий посуд, безпечний для мікрохвиль, може бути непридатний для готування продуктів з високим вмістом жирів і цукру. Крім того, не можна перевищувати час попереднього нагрівання, вказаний в інструкції з експлуатації посуду.

ТЕХНІЧНЕ ОБСЛУГОВУВАННЯ

ОБСЛУГОВУВАННЯ

Перш ніж звертатися по технічне обслуговування, перевірте наступне.

1. Поставте в піч воду (приблизно 150 мл) у склянці та щільно закрийте дверцята. Якщо дверцята зачинені належно, лампа має згаснути. Дайте печі попрацювати протягом 1 хв.
 2. Чи світиться лампа всередині печі?
 3. Чи працює вентилятор охолодження?
(Покладіть руку на задні вентиляційні отвори.)
 4. Чи обертається поворотний стіл?

(Поворотний стіл може обертатися за чи проти годинникової стрілки. Це цілком нормально.)

5. Чи гаряча вода в печі?

Якщо відповідь на будь-яке з цих запитань «ні», перевірте розетку та автоматичний вимикач на електрощитку. Якщо розетка та автоматичний вимикач працюють належно, **ЗВЕРНІТЬСЯ ДО НАЙБЛИЖЧОГО ЦЕНТРУ З ОБСЛУГОВУВАННЯ.**

Застереження ЩОДО

ОБСЛУГОВУВАННЯ:

МІКРОХВИЛЬОВЕ ВИПРОМІНЮВАННЯ

1. Після відключення печі на конденсаторі високої напруги залишається заряд; замкніть негативний контакт конденсатора високої напруги на корпус печі (за допомогою викрутки), щоб розрядити конденсатор перед тим, як торкатися його.
2. Під час обслуговування перераховані нижче деталі можуть бути видалені та стати провідниками напруги вище 250 В на землю.
 - Магнетрон
 - Трансформатор високої напруги
 - Конденсатор високої напруги
 - Діод високої напруги
 - Запобіжник високої напруги
3. Наступні умови можуть призвести до надмірного впливу мікрохвиль під час обслуговування.

- Неправильна установка магнетрона;
- Неправильне узгодження блокування дверцят, дверного шарніра та самих дверцят;
- Неправильна установка опори вимикача;
- Пошкодження дверцят, ущільнення дверцят або корпусу.

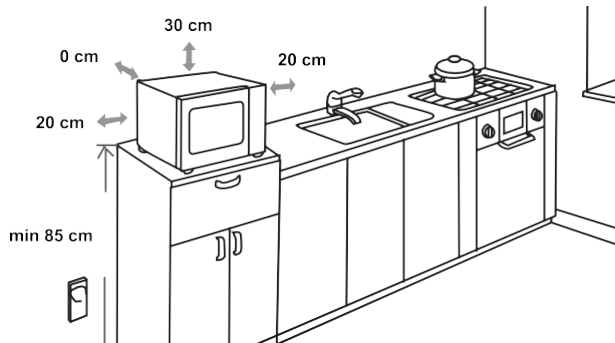
ТЕХНІЧНІ ХАРАКТЕРИСТИКИ

Потужність споживання	220-240 В ~50 Гц, 1280 Вт
Вихідна потужність	800 Вт
Робоча частота	2450 МГц
Зовнішні розміри	480 x 295 x 352 мм
Об'єм печі	23 літрів
Вага без пакування Прибл.....	11.7 кг
Рівень шуму	L _s ≤ 61 дБ (А)



Цей прилад промарковано згідно з європейською директивою 2012/19/EU про відходи виробництва електричного й електронного обладнання (WEEE). Ці рекомендації є основними рекомендаціями загальноєвропейських вимог щодо повернення та переробки відходів електричного та електронного обладнання.

ФІЗИЧНІ РОЗМІРИ ДЛЯ ВСТАНОВЛЕННЯ



ЕЛЕКТРОМАГНІТНІ ПЕРЕШКОДИ

Мікрохвильова піч може створити перешкоди для радіо, телевізора чи подібного обладнання. При виникненні перешкод їх можна усунути чи зменшити за допомогою наступних процедур.

- a) Очистіть дверцята та ущільнювальну поверхню печі.
- b) Розмістіть радіо, телевізор тощо якомога далі від мікрохвильової печі.
- c) Використовуйте належним чином встановлену антену для радіо, телевізора тощо, щоб отримати надійний прийом сигналу.

МИ ЗАЛИШАЄМО ЗА СОБОЮ ПРАВО ВНОСИТИ
БУДЬ-ЯКІ ЗМІНИ, ЩО НЕ ВПЛИВАЮТЬ НА
ФУНКЦІОНАЛЬНІСТЬ ПРИЛАДУ.

Hisense

