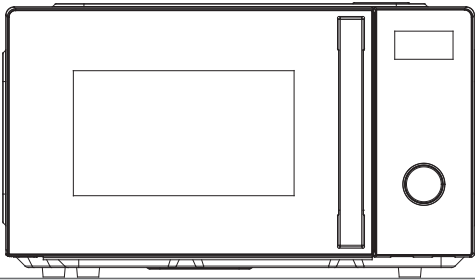


# **Hisense**



**H23MOBSD1H**

Instruction manual / Microwave oven	
<b>EN</b> .....	3
Инструкции за употреба / Микровълнова фурна	
<b>BG</b> .....	24
Návod k obsluze / Mikrovlnná trouba	
<b>CZ</b> .....	45
Bedienungsanleitung / Mikrowelle	
<b>DE</b> .....	66
Brugsanvisning/Mikrobølgeovn	
<b>DA</b> .....	87
Istruzioni per l'uso / Forno a microonde	
<b>EL</b> .....	108
Kasutusjuhend / Mikrolaineahi	
<b>ET</b> .....	129
Instrukcija / Mikrobangų krosnelė	
<b>LT</b> .....	150
Lietošanas pamācība / Mikrovijņu krāsns	
<b>LV</b> .....	171
Упатство за употреба / Микробранова печка	
<b>MK</b> .....	192

---

## DEAR CUSTOMER

We sincerely thank you for your purchase. We believe you will soon find ample evidence that you can really rely on our products. To make the use of the appliance easier, we attach these comprehensive instruction manual.

The instructions should aid you in getting familiar with your new appliance. Please, read them carefully before using the appliance for the first time.

In any case, please make sure the appliance was supplied to you undamaged. Should you identify and transport damage, contact your sales representative or the regional warehouse from where the product was delivered. You will find the telephone number on the receipt or delivery report.

We wish you a lot of pleasure with your new household appliance.



The appliance for household use for heating food and beverages using electromagnetic energy, for indoor use only.

---

## INSTRUCTIONS FOR USE

These instructions are intended for the user. They describe the cooker and how to use it. They also apply to different types of appliances, therefore you may find some descriptions of functions that may not apply to your appliance.

We reserve the right to any changes and errors in the instructions for use.

## IMPORTANT SAFETY INSTRUCTIONS



Never touch the surfaces of heating or cooking appliances. They will become hot during operation. Keep children at a safe distance. There is a risk of burning!



Microwave energy & High voltage!  
Do not remove the cover.

**WARNING!** The appliance and its accessible parts become hot during use. Care should be taken to avoid touching heating elements. Children less than 8 years of age shall be kept away unless continuously supervised. Children should be supervised to ensure that they do not play with the appliance.

This appliance can be used by children aged from 8 years and above and persons with reduced physical, sensory or mental capabilities or lack of experience and knowledge if they have been given supervision or instruction concerning use of the appliance in a safe way and understand the hazards involved. Children shall not play with the appliance. Cleaning and maintenance shall not be made by children unless they are older than 8 and supervised.

Keep the appliance and its cord out of reach of children less than 8 years.

- **WARNING:** When the appliance is operated in the combination mode, children should only use the oven under adult supervision due to the temperatures generated; (Only for the model with grill function)

- **WARNING:** If the door or door seals are damaged, the oven must not be operated until it has been repaired by a competent person;
- **WARNING:** It is hazardous for anyone other than a competent person to carry out any service or repair operation that involves the removal of a cover which gives protection against exposure to microwave energy;
- **WARNING:** liquids and other foods must not be heated in sealed containers since they are liable to explode.
- Children should be supervised to ensure that they do not play with the appliance.
- Don't remove oven's feet, do not block air vents of the oven.
- Only use utensils that are suitable for use in microwave ovens.
- When heating food in plastic or paper containers, keep an eye on the oven due to the possibility of ignition;
- If smoke is observed, switch off or unplug the appliance and keep the door closed in order to stifle any flames;
- Microwave heating of beverages can result in delayed eruptive boiling, therefore care must be taken when handling the container;
- The contents of feeding bottles and baby food jars shall be stirred or shaken and the temperature checked before consumption, in order to avoid burns;

- Eggs in their shell and whole hard-boiled eggs should not be heated in microwave ovens since they may explode, even after microwave heating has ended;
- When cleaning surfaces of door, door seal, cavity of the oven, use only mild, nonabrasive soaps, or detergents applied with a sponge or soft cloth.
- The oven should be cleaned regularly and any food deposits removed;
- Failure to maintain the oven in a clean condition could lead to deterioration of the surface that could adversely affect the life of the appliance and possibly result in a hazardous situation;
- If the supply cord is damaged, it must be replaced by the manufacturer, its service agent or similarly qualified persons in order to avoid a hazard.
- Do not let the cord hang over the edge of the table or worktop.
- Never connect this appliance to an external timer switch or remote control system in order to avoid a hazardous situation.
- Never replace the light bulb inside the oven. It must always be replaced by Hisense service.
- Do not clean the appliance with steam cleaners, high-pressure cleaners, sharp objects, abrasive cleaning agents, and abrasive sponges and stain removers.

Listed below are, as with all appliances, certain rules to follow and safeguards to assure top performance from this oven:

1. Always have the glass tray, roller arms, coupling and roller track in place when operating the oven.
2. Do not use the oven for any reason other than food preparation, such as for drying clothes, paper, or any other nonfood items, or for sterilizing purposes.
3. Do not operate the oven when empty. This could damage the oven.
4. Do not use the oven cavity for any type of storage, such as papers, cookbooks, etc.
5. Do not cook any food surrounded by a membrane, such as egg yolks, potatoes, chicken livers, etc without first being pierced several times with a fork.
6. Do not insert any object into the openings on the outer case.
7. Do not at any time remove parts from the oven such as the feet, coupling, screws, etc.
8. Do not cook food directly on the glass tray. Place food in/on proper cooking utensil before placing in the oven.

**IMPORTANT - COOKWARE NOT TO USE IN YOUR MICROWAVE OVEN**

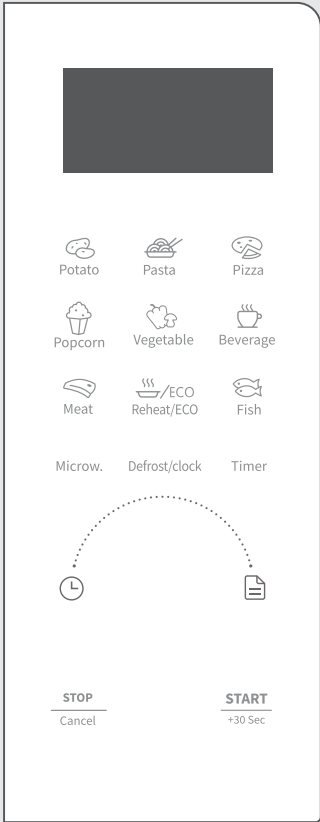
- Do not use metal pans or dishes with metal handles.
  - Do not use anything with metal trim.
  - Do not use paper covered wire twist-ties on plastic bags.
  - Do not use melamine dishes as they contain a material which will absorb microwave energy. This may cause the dishes to crack or char and will slow down the cooking speed.
  - Do not use Centura Tableware. The glaze is not suitable for microwave use. Corelle Livingware closed handle cups should not be used.
  - Do not cook in a container with a restricted opening, such as a pop bottle or sealed oil bottle, as they may explode if heated in a microwave oven.
  - Do not use conventional meat or candy thermometers.
  - There are the thermometers available specifically for microwave cooking. These may be used.
9. Microwave utensils should be used only in accordance with manufacturer's instructions.
  10. Do not attempt to deep-fry foods in this oven.
  11. Please remember that a microwave oven only heats the liquid in a container rather than the container itself. Therefore, even though the lid of a container is not

hot to the touch when removed from the oven, please remember that the food/liquid inside will be releasing the same amount of steam and/or spitting when the lid is removed as in conventional cooking.

12. Always test the temperature of cooked food yourself especially if you are heating or cooking food/liquid for babies. It is advisable never to consume food/liquid straight from the oven but allow it to stand for a few minutes and stir food/liquid to distribute heat evenly.
13. Food containing a mixture of fat and water, e.g. stock, should stand for 30-60 seconds in the oven after it has been turned off. This is to allow the mixture to settle and to prevent bubbling when a spoon is placed in the food/liquid or a stock cube is added.
14. When preparing/cooking food/liquid and remember that there are certain foods, e.g. Christmas puddings, jam and mincemeat, which heat up very quickly. When heating or cooking foods with a high fat or sugar content do not use plastic containers.
15. Cooking utensil may become hot because of heat transferred from the heated food. This is especially true if plastic wrap has been covering the top and handles of the utensil. Potholders may be needed to handle the utensil.
16. To reduce the risk of fire in the oven cavity:
  - a) Do not overcook food. Carefully attend microwave oven if paper, plastic, or other combustible materials are placed inside the oven to facilitate cooking.
  - b) Remove wire twist-ties from bags before placing bag in oven.
  - c) If materials inside the oven should ignite, keep oven door closed, turn the oven off at the wall switch, or shut off power at the fuse or circuit breaker panel.



# OPERATION OF CONTROL PANEL



## DISPLAY

Shows the clock, cooking time and setting.

## DEFROST

Use this key to defrost the food by time and weight MICROW.

Use this key to select the microwave power level.

## CLOCK

Hold this key for 3 sec to set the clock.

## TIMER

Use this key to set the timer function.

## ICONS

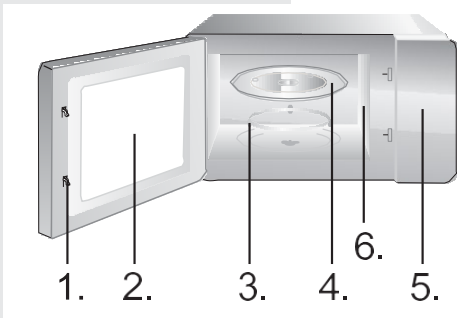
Use these keys to set time and food weight and to choose the auto menu programmes.

## STOP/CANCEL

Use this key to stop or cancel the setting. Hold 3sec for child lock

## START/+30 SEC

Use this key to do quick start cooking of 30 seconds, increase cooking time by 30 seconds (by each press), or confirm cooking settings.



1. Door Safety Lock System
2. Oven Window
3. Roller Ring
4. Glass Tray
5. Control Panel
6. Wave guide (please do not remove the mica plate covering the wave guide)

## MICROWAVE FUNCTION

There are ten microwave power levels, 100P, 90P, 80P, 70P, 60P, 50P, 40P, 30P, 20P and 10P, respectively. Turn the below knob to increase or decrease cooking time, the time range can be selected from 0:10 to 60:00. After select the time, press “START/+30s” button to start work. An buzzing sound to notify completion of the operation.

HIGH	100% and 90% power output	(Applicable for quick and thorough cooking)
M.High	80% and 70% power output	(Applicable for medium express cooking)
Med	60% and 50% power output	(Applicable for steaming food)
M.Low	40% and 30% power output	(Applicable for defrosting food)
LOW	20% and 10% power output	(Applicable for keeping warm)

### CAUTION

- a. The max time which can be set is 60 minutes
- b. Never operate the oven empty.
- c. At the maximum microwave power, the oven will automatically lower the power after a certain time of cooking to lengthen the service life.
- d. If you turn the food during operation, press the **START/+30s**

button once and the preset cooking procedure will continue.

e. If you intend to remove the food before the preset time, you

must press **STOP/CANCEL** button once to clear the preset procedure to avoid unintended operation of next time use.

---

## DEFROST/CLOCK

### DEFROST

There are two defrost mode, dEF1 and dEF2, respectively. dEF1 for defrost by weight and dEF2 for defrost by time. Press this button to select defrost by weight or by time, and the display screen will display "dEF1" or "dEF2". Turn the knob to select food weight or defrost time. The weight range of dEF1 is from 100 to 1500g, and the maximum time of dEF2 is 60:00. After selecting the defrost weight or time, press the "START/+30s" button start to work. An buzzing sound to notify completion of the operation. The dEF1 defrost mode by weight will have a beeping sound to prompt the food to be turned over during defrosting.

Below is some food defrosting time advice:

dEF1	For defrosting, the weight range from 100 to 1500g.
dEF2	For defrosting, the maximum time is 60:00.

## CAUTION

- a. It is necessary to turn over the food during operation to obtain uniform effect.
- b. Usually defrosting will need longer time than that of cooking the food.
- c. If the food can be cut by knife, the defrosting process can be considered completed.
- d. Microwave penetrates around 4cm into most food
- e. Defrosted food should be consumed as soon as possible, it is not advised to put back to fridge and freeze again.

---

### CLOCK (24-hour clock)

In standby mode, press and hold down the "DEFROST/CLOCK" button for more than 3 seconds to enter the clock setting interface. At the same time, the display screen blinks in hours. The hour time can be set by turning the knob. After setting the hour, press the "START/+30s" button for a short time to switch to the setting minute mode. The minutes can be set by turning the knob. After setting minutes, press the "START/+30s" button again to exit the setting mode.

---

## AUTO COOKING

There are eight automatic menus A.1~A.8, Potato, Pasta, Pizza, Popcorn, Vegetable, Beverage, Meat and Fish respectively. Press the “Menu” button continuously to select the desired menu, then turn the knob to select the weight of the menu. After selecting the cooking weight, press “START/+30s” button to start work. An buzzing sound to notify completion of the operation.

Display	Kind	Method
A.1	Potato	The optional weight are 250g, 500g and 750g
A.2	Pasta	The optional weight are 50g, 100g and 150g
A.3	Pizza	The optional weight are 200g and 400g
A.4	Popcorn	The optional weight is 100g
A.5	Vegetable	The optional weight are 200g, 400g and 600g
A.6	Beverage	The optional weight are 1 cup, 2 cups or 3 cups, each one about 250ml.
A.7	Meat	The optional weight are 200g, 400g and 600g
A.8	Fish	The optional weight are 200g, 400g and 600g

## CAUTION

- a. The temperature of food before cooking would be 20-25°C. Higher or lower temperature of the food before cooking would require increase or decrease of cooking time.
- b. The temperature, weight and shape of food will largely influence the cooking effect. If any deviation has been found to the factor noted on above menu, you can adjust the cooking time for best result.

---

## TIMER

In standby mode, press this button to enter the setting interface, and the countdown function icon and "0:00" will be displayed on the display screen. Turn the knob to set the time, the maximum time that can be input is 60:00. After setting the time, press the "START/+30s" button to begins the countdown. An buzzing sound to notify completion of the countdown

---

**REHEAT/ECO****REHEAT**

Reheat function is mainly to facilitate users to heat food according to the weight of food, turn the knob to select the appropriate weight of food, the optional weights are 200g, 400g, 600g, 800g and 1000g. After select the weight, press “START/+30s” button to start work. An buzzing sound to notify completion of the operation.

---

**ECO**

In standby mode, press and hold down the Reheat button for 3s to turn on ECO, and the display will turn off. When turning on ECO, press any button to turn off the ECO function.

---

**STOP**

In the process of cooking settings, can press “STOP” button to cancel the settings and return to standby state. In the process of microwave oven working, can press “STOP” button to pause. In the standby state, can press “STOP” button again to cancel the function and return to standby state.

---

**START/+30s**

After setting the cooking time or food weight, press the “START/+30s” button to start the microwave oven immediately. In working state, can press “START/+30s” button to increase time, press one time to increase 30 seconds, but the menu mode and weight defrosting mode can not adjust time. In pause state, can press “START/+30s” button to continue the microwave oven before cooking mode.



---

## EXPRESS

In standby mode, after the food is put in and the door is closed, press the "START/+30s" button to quickly start the microwave. The default working time is 30 seconds. In the process of working, press the "START/+30s" button once for 30 seconds. An buzzing sound to notify completion of the operation.

---

## CHILD LOCK FUNCTION

Use this feature to lock the control panel when you are cleaning or so that children can not use the oven unsupervised. All the buttons are rendered inoperable in this mode.

- 1) Set lock: In standby mode, press the "STOP" button for more than 3 seconds, the child lock function is locked, and all buttons of the microwave oven can not be operated.
- 2) Cancel lock: In the child lock state, press the "STOP" button for more than 3 seconds to cancel the child lock function.

## UTENSILS GUIDELINE

It is strongly recommended to use the containers which are suitable and safe for microwave cooking. Generally speaking, the containers which are made of heat-resistant ceramic, glass or plastic are suitable for microwave cooking. Never use the metal containers for microwave cooking and combination cooking as spark is likely to occur. You can take the reference of below table.

Material of container	Microwave	Notes
Heat-resistant ceramic	Yes	Never use the ceramics which are decorated with metal rim or glazed
Heat-resistant plastic	Yes	Cannot be used for long time microwave cooking
Heat-resistant glass	Yes	
Grill rack	No	
Plastic film	Yes	It should not be used when cooking meat or chops as the over-temperature may do damage to the film

## COOKING TIPS

The following factors may affect the cooking result:

### **Food arrangement**

Place thicker areas towards outside of dish, the thinner part towards the centre and spread it evenly. Do not overlap if possible.

### **Cooking time length**

Start cooking with a short time setting, evaluate it after it times out and extend it according to the actual need. Over cooking may result in smoke and burns.

### **Cooking food evenly**

Food such as chicken, hamburger or steak should be turned once during cooking. Depending on the type of food, if applicable, stir it from outside to centre of dish once or twice during cooking

### **Allow standing time**

After cooking times out, leave the food in the oven for an adequate length of time, this allows it to complete its cooking cycle and cooling it down in a gradual manner

### **Whether the food is done**

Color and hardness of food help to determine if it is done, these include:

- Steam coming out from all parts of food, not just the edge
- Joints of poultry can be moved easily
- Pork or poultry shows no signs of blood
- Fish is opaque and can be sliced easily with a fork

### **Browning dish**

When using a browning dish or self-heating container, always place a heat-resistant insulator such as a porcelain plate under it to prevent damage to the turntable and rotating ring.

### **Microwave safe plastic wrap**

When cooking food with high fat content, do not allow the plastic wrap come into contact with food as it may melt

### **Microwave safe plastic cookware**

Some microwave safe plastic cookware might not be suitable for cooking foods with high fat and sugar content. Also, the preheating time specified in the dish instruction manual must not be exceeded

## **MAINTENANCE**

### **SERVICING**

Please check the following before calling for services.

1. Place one cup of water (approx.150ml) in a glass measure in the oven and close the door securely. Oven lamp should go off if the door is closed properly. Let the oven work for 1 min.
  2. Does the oven lamp light?
  3. Does the cooling fan work?  
(Put your hand over the rear ventilation openings.)
  4. Does the turntable rotate?

(The turntable can rotate clockwise or counter clockwise. This is quite normal.)

5. Is the water inside the oven hot?

If “NO” is the answer to any of the above questions, please

check your wall socket and the fuse in your meter box.

If both the wall socket and the fuse are functioning properly, CONTACT YOUR NEAREST SERVICE CENTER APPROVED.

### **SERVICING SAFEGUARDS**

#### **Caution: MICROWAVE RADIATION**

1. The high voltage capacitor remains charge after disconnection; short the negative terminal of H. V capacitor to the oven chassis (use a screwdriver) to discharge before touching.

2. During servicing below listed parts are liable to be removed and give access to potentials above 250V to earth.

- Magnetron
- High voltage transformer
- High voltage capacitor
- High voltage diode
- High voltage fuse

3. The following conditions may cause undue microwave exposure during servicing.

- Improper fitting of magnetron;
- Improper matching of door interlock, door hinge and door;
- Improper fitting of switch support;
- Door, door seal or enclosure has been damaged.

## SPECIFICATIONS

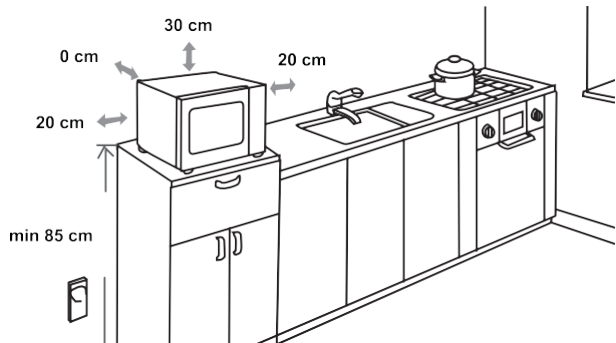
Power consumption.....	220-240V ~50Hz, 1280W
Output power .....	800W
Operating Frequency.....	2450MHz
Outside Dimensions .....	480 x 295 x 352 mm
Oven Capacity.....	23 litres
Uncrated Weight.....	Approx. 11.7kg
Noise level. ....	Lc ≤61 dB (A)



**This appliance is marked according to the European directive 2012/19/EU on Waste Electrical and Electronic Equipment (WEEE).**

**This guideline is the frame of a European-wide validity of return and recycling on Waste Electrical and Electronic Equipment.**

## MOUNTING DIMENSIONS



---

## RADIO INTERFERENCE

Microwave oven may cause interference to your radio, TV, or similar equipment. When interference occurs, it may be eliminated or reduced by the following procedures.

- a) Clean the door and sealing surface of the oven.
- b) Place the radio, TV, etc. as far away from your microwave oven as possible.
- c) Use a properly installed antenna for your radio, TV, etc. to get a strong signal reception.

WE RESERVE THE RIGHT TO MAKE ANY CHANGES  
THAT DO NOT AFFECT THE FUNCTIONALITY OF THE  
APPLIANCE.

**Hisense**

## УВАЖАЕМИ КЛИЕНТИ

Благодарим ви за покупката. Вярваме, че скоро ще се убедите, че наистина може да разчитате на нашите продукти. За да бъде ползването на уреда по-лесно, прилагаме това обстойно ръководство за употреба.

Упътването ще ви помогне да опознаете вашия нов уред. Прочетете го внимателно, преди да използвате уреда за първи път.

При всички случаи се уверете, че уредът ви е доставен без нанесени щети. Ако откриете щети вследствие на транспортирането, свържете се с вашия търговски представител или регионалния склад, от който е доставен продуктът. Ще намерите телефона на касовата бележка или в протокола за доставка.

Пожелаваме ви приятни мигове с вашия нов кухненски уред.



Уредът е само за домашна употреба на закрито, за загряване на храни и напитки чрез електромагнитна енергия.

## ИНСТРУКЦИИ ЗА УПОТРЕБА

Тези инструкции са предназначени за потребителя. Те описват уреда и как да го ползвате. Инструкциите се отнасят до различни видове уреди, затова може да откриете описания на функции, които не се отнасят до вашия уред.

Запазваме си правото на промени и грешки в инструкциите за употреба.



## ВАЖНИ ИНСТРУКЦИИ ЗА БЕЗОПАСНОСТ



Никога не докосвайте повърхностите на нагревателни или готварски уреди. Те ще се нагорещят по време на работа. Пазете децата на безопасно разстояние. Съществува опасност от изгаряне!



Микровълнова енергия и високо напрежение! Не махайте капака.

**ПРЕДУПРЕЖДЕНИЕ!** Уредът и достъпните му части се нагорещават по време на употреба. Внимавайте да не докоснете нагревателните елементи. Децата под 8-годишна възраст трябва да бъдат държани далеч от уреда, освен ако не са наблюдавани непрекъснато. Децата трябва да бъдат наглеждани, за да се уверите, че не си играят с уреда.

Този уред може да бъде използван от деца, навършили 8-годишна възраст или по-големи, както и от лица с намалени физически, сетивни или умствени способности или без опит и познания за работа с уреда, само ако са под наблюдение или са инструктирани за безопасната му употреба и са наясно с евентуалните опасности. Не позволявайте на деца да си играят с уреда. Почистването и поддръжката не трябва да се извършват от деца, освен ако те не са на възраст над 8 години и се наблюдават от възрастен.

Дръжте уреда и неговия кабел далеч от деца под 8-годишна възраст.

- **ПРЕДУПРЕЖДЕНИЕ:** Когато уредът работи в комбиниран режим, децата трябва да ползват фурната само под наблюдение от възрастен заради генерираните температури (само за модела с грил функция).

- **ПРЕДУПРЕЖДЕНИЕ:** Ако вратата или уплътненията на вратата са повредени, фурната не трябва да се ползва, докато не бъде ремонтирана от компетентно лице.
- **ПРЕДУПРЕЖДЕНИЕ:** Съществува опасност за всички освен компетентните лица да извършват сервизни или ремонтни дейности, които включват отваряне на капака, осъществяващ защита срещу излагане на микровълнова енергия.
- **ПРЕДУПРЕЖДЕНИЕ:** Течности и други храни не трябва да се нагряват в запечатани опаковки, тъй като може да избухнат.
- Децата трябва да бъдат наглеждани, за да се уверите, че не си играят с уреда.
- Не отстранявайте крачетата на фурната, не блокирайте вентилационните отвори.
- Използвайте само кухненски съдове, които са подходящи за ползване в микровълнови фурни.
- Когато нагрявате храна в пластмасова или хартиена опаковка, дръжте фурната под око поради опасност от запалване.
- Ако забележите пушек, изключете или извадете щепсела от контакта и дръжте вратата затворена, за да задушите пламъците.
- Нагряването на напитки в микровълнова фурна може да доведе до отложено внезапно завиране, затова внимавайте, като боравите със съда.
- Съдържанието на бебешки шишета и бурканчета с храна трябва да бъде разклатено или разбъркано, а температурата да бъде проверена преди консумация, за да се избегнат изгаряния.

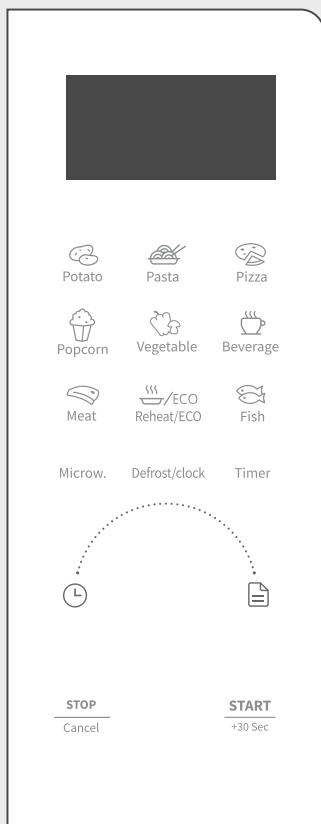
- Яйца с черупка и цели твърдо сварени яйца не трябва да се нагряват в микровълнови фурни, тъй като могат да избухнат, дори след като нагряването е приключило.
- Когато почиствате вратата, уплътнението ѝ, вътрешността на фурната, използвайте меки, неабразивни сапуни или почистващи препарати, които се прилагат с гъба или мека кърпа.
- Фурната трябва да се почиства редовно и всички остатъци от храна да бъдат отстранявани.
- Ако фурната не се поддържа чиста, това може да доведе до увреждане на повърхностите, което може силно да съкрати живота на уреда и е възможно да доведе до опасна ситуация.
- Ако захранващият кабел е повреден, той трябва да бъде сменен от производителя, негов упълномощен сервиз или квалифициран техник, за да се избегне всякаква опасност.
- Не позволявайте кабелът да виси от ръба на масата или работния плот.
- Никога не свързвайте уреда към външен таймер или система за дистанционно управление, за да избегнете опасни ситуации.
- Никога не сменяйте крушката във вътрешността на фурната. Тя винаги трябва да се сменя в сервиз на Hisense.
- Не почиствайте уреда с парочистачки, почистващи уреди под високо налягане, остри предмети, абразивни почистващи препарати, груби гъби или препарати за отстраняване на петна.

По-долу, както при всички уреди, са изредени определени правила и предпазни мерки, които да осигурят най-добрата работа на фурната:

1. Винаги поставяйте на мястото им стъкления поднос, раменете на ролера, вдвояващите приспособления, когато работите с фурната.
2. Не използвайте фурната за друго освен за приготвяне на храна като например сушене на дрехи, хартия или други нехранителни предмети, или за стерилизиране.
3. Не работете с фурната, когато е празна. Това може да я повреди.
4. Не използвайте фурната за съхранение на документи, готварски книги и др.
5. Не гответе храна, съдържаща мембрана като жълтъци, картофи, пилешки дробчета и др. без предварително да сте я надупчили няколко пъти с вилица.
6. Не пъхайте никакви предмети в отворите на корпуса.
7. Никога не отстранявайте части от фурната като например крачетата, вдвояването, винтове и др.
8. Не гответе храна директно върху стъкления поднос. Поставете храната върху/в подходящ готварски съд преди да я сложите във фурната.  
**ВАЖНО** - КУХНЕНСКИ СЪДОВЕ, КОИТО НЕ ТРЯБВА ДА ПОЛЗВАТЕ С ФУРНАТА
  - Не използвайте метални съдове или съдове с метални дръжки.
  - Не използвайте нищо с метални ръбове.
  - Не използвайте пластмасови торбички с метални дръжки, покрити с хартия.
  - Не използвайте меламинови съдове, защото съдържат материал, който поглъща енергията от микровълните. Това може да причини напукване и нащърбване на съдовете и ще забави скоростта на готвене.
  - Не използвайте съдове Centura. Емайълът им не е подходящ за ползване в микровълнови фурни. Затворени чаши Corelle Livingware не трябва да се използват.
  - Не гответе в опаковка с ограничено отваряне като бутилка или запечатана бутилка зехтин, тъй като може да избухнат при нагриване в микровълнова фурна.
  - Не използвайте обикновени термометри за месо или сладкиши.
  - Съществуват термометри специално за микровълново готвене. Те могат да се използват.

9. Съдовете за микровълнови фурни трябва да се използват само в съответствие с инструкциите на производителя.
10. Не опитвайте дълбоко пържене на храни в тази фурна.
11. Моля, обърнете внимание, че микровълновата фурна нагрява течността в съда, а не самия съд. Затова, дори когато капакът на съда не е горещ на пипане при изваждане от фурната, храната/течността вътре в него ще изпускат същото количество пара и/или кипи както когато се махне капакът при обикновеното готвене.
12. Винаги пробвайте температурата на сготвената храна особено ако топлите или готвите храна/течности за бебета. Препоръчително е никога да не консумирате храна/течности директно от фурната, а да изчакате няколко минути и да разбъркате, за да стане температурата равномерна.
13. Храна, която съдържа смес от мазнина и вода, например бульон, трябва да остане във фурната 30-60 секунди след като фурната е била изключена. Това позволява на сместа да се уталожи и предотвратява бълбукането, когато вътре се сложи лъжица или се добави кубче бульон.
14. Когато приготвяте/готвите храни/напитки, помнете, че определени храни, например коледни пудинги, конфитюри и кайма, се сгорещават много бързо. Когато претопляте или готвите храни с високо съдържание на мазнини или захар, не използвайте пластмасови съдове.
15. Съдовете за готвене може да се нагорещат заради топлината, предадена им от готвената храна. Това е особено вярно, ако пластмасово фолио покрива горната част и дръжките на съда за готвене. Може да са необходими ръкохватки за изваждане на съда.
16. За да намалите риска от запалване във вътрешността на фурната:
  - a) Не гответе храната излишно дълго. Внимателно следете фурната, ако хартиени, пластмасови или други горими материали са поставени във вътрешността за улесняване на готвенето.
  - b) Отстранете металните дръжки на торбичките, преди да ги поставите във фурната.
  - c) Ако материалите вътре във фурната се запалят, оставете вратата затворена, изключете от контакта на електрическата мрежа или прекъснете захранването от централното табло/панела за прекъсване на веригата.

# РАБОТА С КОНТРОЛНИЯ ПАНЕЛ



## ДИСПЛЕЙ

Показва часовника, времето за готвене и настройката.

## DEFROST

Използвайте този бутон, за да размразите храната за определено време или според теглото

## MICROW.

Използвайте този бутон, за да изберете степента на мощност.

## ЧАСОВНИК

Задържете този бутон за 3 секунди, за да сверите часовника.

## TIMER

Използвайте този бутон, за да зададете функцията на таймера.

## ИКОНКИ

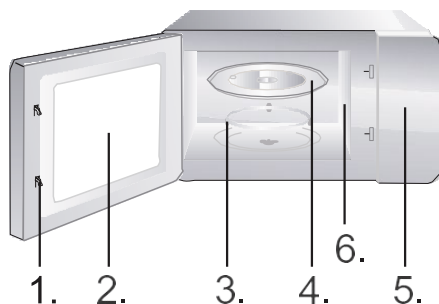
Използвайте тези бутони, за да зададете времето или теглото на храната и да изберете програмите за автоматично готвене.

## STOP/CANCEL

Използвайте този бутон, за да спрете или отмените настройката. Задържете за 3 сек. за защита за деца.

## START/+30 SEC

Използвайте този бутон, за да стартирате бързо готвене за 30 секунди, да увеличите времето за готвене с 30 секунди (с всяко натискане) или да потвърдите настройките за готвене.



1. Система за безопасно заключване на вратата
2. Прозорец на фурната
3. Пръстен
4. Стъклен поднос
5. Контролен панел
6. Вълновод (моля, не премахвайте слюдената пластина, покриваща вълновода)

Има десет нива на микровълнова мощност - 100P, 90P, 80P, 70P, 60P, 50P, 40P, 30P, 20P и 10P. Завъртете копчето по-долу, за да увеличите или намалите времето за готвене в диапазона от 0:10 до 60:00. След избора на време за готвене натиснете бутона "START/+30s", за да стартира фурната. Звук сигнал ще обозначи края на работата.

HIGH	100% и 90% изходна мощност	Подходящо за бързо и цялостно готвене
M.High	80% и 70% изходна мощност	Подходящо за средно бързо готвене
Med	60% и 50% изходна мощност	Подходящо за задушаване на храната
M.Low	40% и 30% изходна мощност	Подходящо за размразяване на храната
LOW	20% и 10% изходна мощност	Подходящо за поддържане на топлината



## ВНИМАНИЕ

- a. Максималното време за работа, което може да се зададе, е 60 минути.
- b. Никога не включвайте фурната празна.
- c. При максимална микровълнова мощност фурната автоматично ще намали мощността след определено време на готвене, за да удължи експлоатационния живот.
- d. Ако обърнете храната по време на работа, натиснете бутона **START/ +30s** веднъж и предварително зададената процедура за готвене ще продължи.
- e. Ако възнамерявате да извадите храната преди предварително зададеното време, трябва да натиснете еднократно бутона STOP/CANCEL, за да анулирате предварително зададената процедура и да избегнете непреднамерена работа при следваща употреба.

## РАЗМРАЗЯВАНЕ ЧРЕЗ DEFROST/CLOCK

Има два режима на размразяване, dEF1 и dEF2, съответно. dEF1 е за размразяване според теглото, а dEF2 е за размразяване за определено време. Натиснете този бутон, за да изберете размразяване според теглото или за определено време и на дисплея ще се изведе „dEF1“ или „dEF2“. Завъртете копчето, за да изберете теглото на храната или времето за размразяване. Диапазонът за теглото на dEF1 е от 100 g до 1500 g, а максималният времеви диапазон за dEF2 е 60:00. След избора на времето или теглото за размразяване натиснете бутона “START/+30s”, за да стартира фурната. Звуков сигнал ще обозначи края на работата. В режим dEF1 за размразяване според теглото ще прозвучи звуков сигнал, за да ви подкани да обърнете храната по време на размразяването.

Ето и няколко съвета за размразяване на храната:

<b>dEF1</b>	За размразяване с диапазон на теглото от 100 до 1500 g.
<b>dEF2</b>	Максималното време за размразяване е 60:00.



## **ВНИМАНИЕ**

- a. Необходимо е да се обърне храната по време на работа, за да се постигне еднороден ефект.
- b. Обикновено размразяването се нуждае от повече време от това за готвене на храната.
- c. Ако храната може да се реже с нож, процесът на размразяване може да се счита за завършен.
- d. Микровълните проникват на около 4 cm в повечето храни.
- e. Размразената храна трябва да се консумира възможно най-скоро, не се препоръчва да се връща в хладилник и да се замразява отново.

---

### ЧАСОВНИК (24-ЧАСОВ ЦИКЪЛ)

В режим на готовност натиснете и задръжте бутона "DEFROST/CLOCK" за повече от 3 секунди, за да влезете в интерфейса за сверяване на часовника. В същото време часовете на дисплея ще мигат. Часовете могат да бъдат сверени чрез завъртане на копчето. След сверяване на часовете натиснете бутона „START/+30s“ за кратко, за да превключите в режима за сверяване на минутите. Минутите могат да бъдат сверени чрез завъртане на копчето. След задаване на минутите натиснете бутона „START/+30s“ отново, за да излезете от режима на сверяване.

Има осем автоматични програми А.1~А.8, Картофи, Паста, Пица, Пуканки, Зеленчуци, Напитки, Месо и Рибa. Натиснете бутона “Меню” неколкократно, за да изберете желаната програма, след което завъртете копчето, за да изберете теглото. След избора на теглото за готвене натиснете бутона “START/+30s”, за да стартира фурната. Звуков сигнал ще обозначи края на работата.

Дисплей	Вид	Начин на приготвяне
A.1	Potato (Картофи)	Опционалното тегло е 250 g, 500 g и 750 g
A.2	Pasta (Паста)	Опционалното тегло е 50 g, 100 g и 150 g
A.3	Pizza (Пица)	Опционалното тегло е 200 g и 400 g
A.4	Popcorn (Пуканки)	Опционалното тегло е 100 g
A.5	Vegetable (Зеленчуци)	Опционалното тегло е 200 g, 400 g и 600 g
A.6	Beverage (Напитки)	Опционалното тегло е 1 чаша, 2 чаши или 3 чаши, около 250 ml всяка.
A.7	Meat (Месо)	Опционалното тегло е 200 g, 400 g и 600 g

## **ВНИМАНИЕ**

- a. Температурата на храната преди готвене трябва да бъде 20-25°C. По-висока или по-ниска температура на храната преди готвене ще изисква увеличаване или намаляване на времето за готвене.
- b. Температурата, теглото и формата на храната до голяма степен ще повлияят върху готвенето. Ако е установено някакво отклонение спрямо горното изискване, можете да настроите времето за готвене за най-добър резултат.

---

### ТАЙМЕР

В режим готовност натиснете този бутон, за да влезете в интерфейса за настройка, и на дисплея ще се покажат иконата на функцията за обратно броене и „0:00“. Завъртете копчето, за да зададете времето за готвене. Максималната въведена стойност може да бъде 60:00. След задаване на времето натиснете бутона „START/+30s“, за да започне обратното броене. Звуков сигнал ще обозначи края на обратното броене.

---

ПРЕТОПЛЯНЕ ЧРЕЗ  
REHEAT/ECO

Функцията за претопляне е главно за улеснение на потребителите при затопляне на храната според теглото ѝ. Завъртете копчето, за да изберете подходящото тегло на храната. Изборът за тегло може да бъде 200 g, 400 g, 600 g, 800 g и 1000 g. След избора на теглото натиснете бутона "START/+30s", за да стартира фурната. Звуков сигнал ще обозначи края на работата.

---

ФУНКЦИЯ ECO

В режим на готовност натиснете и задръжте бутона Reheat за 3 секунди, за да включите ECO и дисплеят ще се изключи. При включена функция ECO, натиснете произволен бутон, за да я изключите.

---

## СПИРАНЕ

В процеса на настройка можете да натиснете бутона "STOP", за да отмените настройките и да се върнете в режим на готовност. В процеса на работа на микровълновата фурна, можете да натиснете бутона "STOP", за да направите пауза. В режим на готовност можете да натиснете бутона "STOP" отново, за да отмените функцията и да се върнете в режим на готовност.

---

## START/+30S

След избора на време за готвене натиснете бутона "START/+30s", за да стартира фурната незабавно. В режим на работа можете да натиснете бутона "START/+30s", за да увеличите времето. Натиснете веднъж, за да увеличите с 30 секунди, но режимите на автоматични програми и размразяване според теглото не позволяват регулиране на времето. В режим на пауза можете да натиснете бутона "START/+30s", за да продължи микровълновата фурна предишния режим на готвене.

В режим на готовност, след като храната е сложена и вратата е затворена, натиснете бутона „START/+30s“, за да стартирате бързо микровълновата фурна. Времето за работа по подразбиране е 30 секунди. В процеса на работа натиснете бутона „START/+30s“ веднъж за 30 секунди. Звуков сигнал ще обозначи края на работата.

Използвайте тази функция, за да заключите контролния панел, когато почиствате фурната, или за да предотвратите ползването ѝ от деца без надзор. В този режим всички бутони са неактивни.

- 1) Задаване на защита за деца: В режим на готовност натиснете бутона „STOP“ за повече от 3 секунди. Функцията за защита на деца се включва и всички бутони на микровълновата фурна стават неактивни.
- 2) Отмяна на защита за деца: В режим на активна защита за деца натиснете бутона „STOP“ за повече от 3 секунди, за да отмените функцията.

## ПРЕПОРЪКИ ОТНОСНО СЪДОВЕТЕ

Силно се препоръчва използването на съдове, които са подходящи и безопасни за готвене в микровълнова фурна. Най-общо казано, съдовете, които са изработени от термоустойчива керамика, стъкло или пластмаса, са подходящи за готвене в микровълнова фурна. Никога не използвайте металните съдове за готвене с микровълни и комбинирано готвене, тъй като има вероятност да възникне искра. Можете да направите справка с таблицата по-долу.

Материал на съда	Микровълни	Бележки
Топлоустойчива керамика	Да	Никога не използвайте керамика, която е украсена с метален ръб или е глазирана
Топлоустойчива пластмаса	Да	Не може да се използва дълго време за готвене в микровълнова фурна
Топлоустойчиво стъкло	Да	
Решетка на грила	Не	
Полиетиленово фолио	Да	Не трябва да се използва при готвене на месо или котлети, тъй като прекомерната температура може да навреди на фолиото

Следните фактори може да окажат влияние върху резултатите от готвенето:

## **Подреждане на храната**

Поставете по-дебелите парчета откъм външната страна на съда, по-тънките парчета към центъра и разпределете равномерно. Не ги застъпвайте, ако е възможно.

## **Продължителност на времето за готвене**

Започнете готвенето с настройка за кратко време, оценете резултата след изтичане на времето и го удължете според действителните нужди. Прекалено дългото готвене може да предизвика задимяване или загаряне.

## **Равномерно готвене на храната**

Храна като пиле, хамбургер или пържола трябва да се обърне веднъж по време на готвене. В зависимост от вида на храната, ако е приложимо, разбъркайте я отвън към центъра на съда веднъж или два пъти по време на готвене.

## **Оставете време за покой**

След като изтече времето за готвене, оставете храната във фурната за подходящ период от време. Това ще позволи завършване на цикъла на готвене и постепенно охлаждане.

## **Готовност на храната**

Цветът и твърдостта на храната спомагат да се определи дали е готова, както и следните признаци:

- Излиза пара от цялото съдържание, не само от краищата
- Пилешките стави могат лесно да бъдат отстранени
- Свинското или пилешкото месо нямат признаци за наличие на кръв
- Рибата е матова и може лесно да се разчлени с вилица



### **Съдове от пирокерамичен материал за запичане**

Когато използвате съд за запичане или самонагриващ се съд, винаги поставяйте топлоустойчив изолатор като например порцеланова чиния под него, за да предотвратите повреда на въртящата се основа и въртящия се пръстен.

### **Подходящо за микровълнова фурна полиетиленово фолио**

Когато готвите храна с високо съдържание на мазнини, не позволявайте полиетиленовото фолио да влезе в контакт с храната, тъй като може да се разтопи.

### **Подходящи за микровълнова фурна пластмасови съдове**

Някои подходящи за микровълнова фурна пластмасови съдове може да не са подходящи за готвене на храни с високо съдържание на мазнини и захар. Също така не трябва да се превишава времето за предварително загряване, посочено в ръководството за приготвяне на ястието.

## **ПОДДРЪЖКА**

### **СЕРВИЗНО ОБСЛУЖВАНЕ**

Преди да се свържете със сервиз, проверете следното:

1. Поставете една чаша вода (приблизително 150 мл) в стъкленца във фурната и затворете добре вратата. Лампата на фурната трябва да угасне, ако вратата е затворена правилно. Оставете фурната да работи за 1 мин.

2. Светва ли лампата на фурната?

3. Работи ли охлаждащият вентилатор?

(Поставете ръката си върху задните вентилационни отвори.)

4. Върти ли се стъкленият поднос?

(Стъкленият поднос може да се върти по посока на часовниковата стрелка или обратно. Това е съвсем нормално.)

5. Водата във фурната гореща ли е?

Ако отговорът на някой от горните въпроси е „НЕ“, моля, проверете контакта и предпазителя с измервателен уред.

Ако контактът и предпазителят функционират правилно, СВЪРЖЕТЕ СЕ С НАЙ-БЛИЗКИЯ ОДОБРЕН СЕРВИЗЕН ЦЕНТЪР.

## **ПРЕДПАЗНИ МЕРКИ ЗА ОБСЛУЖВАНЕ**

### **ВНИМАНИЕ** МИКРОВЪЛНОВА РАДИАЦИЯ

1. Кондензаторът за високо напрежение оставя заряд след изключване; преди допир свържете накъсо отрицателния извод на високоволтовия кондензатор към шасито на фурната (използвайте отвертка), за да се освободи зарядът.

2. По време на обслужването по-долу изброените части могат да бъдат премахнати и да дадат достъп до потенциали с напрежение над 250 V.

- Магнетрон
- Високоволтов трансформатор
- Високоволтов кондензатор
- Високоволтов диод
- Високоволтов предпазител

3. Следните условия могат да причинят ненужно излъчване от микровълновата фурна по време на обслужването.

- Неправилно монтиране на магнетрон;
- Неправилно съгласуване на заключването на вратата, пантата на вратата и вратата;
- Неправилно монтиране на опората на превключвателя;
- Вратата, уплътнението на вратата или корпуса са повредени.

ТЕХНИЧЕСКИ  
ХАРАКТЕРИСТИКИ

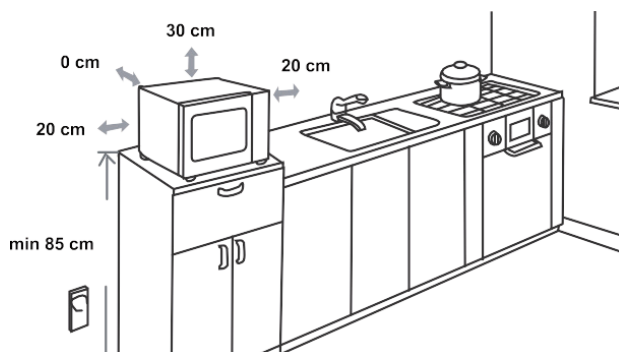
Консумация на електроенергия .....	220-240V~50Hz, 1280W
Изходна мощност .....	800W
Работна честота .....	2450 MHz
Външни размери .....	480×295×352mm
Капацитет на фурната .....	23 литра
Тегло след разпаковане .....	Прибл. 11.7 kg
Ниво на шум .....	Lc ≤ 61 dB (A)



Този уред има маркировка съгласно европейска директива 2012/19/ЕС относно изхвърлянето на използвано електрическо и електронно оборудване (WEEE).

Тази маркировка представлява обозначение за валидност в цяла Европа на възможността за връщане и рециклиране на използвано електрическо и електронно оборудване.

РАЗМЕРИ ЗА  
ИНСТАЛИРАНЕ



Микровълновата фурна може да причини смущения на радио, ТВ или подобно оборудване. Ако настъпи смущение, то може да бъде отстранено или намалено чрез следните действия.

- a) Почистете вратата и уплътняващите повърхности на фурната.
- b) Поставете радио, ТВ или другото оборудване възможно най-далече от микровълновата фурна.
- c) Използвайте подходящо инсталирана антена за радиото, телевизора и т.н., за да приемате силен сигнал.

**ЗАПАЗВАМЕ СИ ПРАВОТО НА ВСЯКАКВИ  
ПРОМЕНИ БЕЗ ДА ВЛИЯЕМ ВЪРХУ РАБОТАТА  
НА УРЕДА.**

**Hisense**

Vážený zákazník

Upřímně vám děkujeme za váš nákup. Věříme, že brzy najdete dostatek důkazů, že se na naše produkty můžete opravdu spolehnout. Abychom usnadnili používání zařízení, připojujeme tento komplexní návod k použití.

Pokyny by vám měly pomoci seznámit se s novým spotřebičem. Před prvním použitím spotřebiče si je prosím pečlivě přečtěte.

V každém případě se ujistěte, že vám byl spotřebič dodán nepoškozený. Pokud zjistíte a jakékoli poškození způsobené přepravou, kontaktujte svého obchodního zástupce nebo regionální sklad, odkud byl produkt dodán. Telefonní číslo najdete na potvrzení o doručení nebo balícím listě.

Přejeme vám hodně potěšení z vašeho nového domácího spotřebiče.



Přístroj pro domácí použití k ohřevu potravin a nápojů pomocí elektromagnetické energie, pouze pro vnitřní použití.

## NÁVOD K POUŽITÍ

Tyto pokyny jsou určeny pro uživatele. Popisují spotřebič a jak ho používat. Jsou ale určeny také pro ostatní podobné typy spotřebičů, proto můžete najít některé popisy funkcí, které se na váš spotřebič nemusí vztahovat.

Vyhrazujeme si právo na jakékoli změny a chyby v návodu k použití.

## DŮLEŽITÉ BEZPEČNOSTNÍ POKYNY



Nikdy se nedotýkejte ploch spotřebičů určených k vaření nebo ohřívání. Během provozu se zahřívají. Udržujte děti v bezpečné vzdálenosti. Hrozí nebezpečí popálení!



Zdroj mikrovlnného záření a vysoké napětí. Neodstraňujte kryt.

**VAROVÁNÍ!** Zařízení a jeho přístupné části se během používání zahřívají. Dbejte, abyste se nedotkli varných prvků. Děti mladší 8 let by se k zařízení neměly přibližovat, pokud nejsou pod neustálým dohledem dospělého. Dohlédněte na to, aby si se spotřebičem nehrály děti.

Děti starší osmi let a osoby se sníženými tělesnými, smyslovými a rozumovými schopnostmi či s nedostatkem znalostí a zkušeností mohou tento spotřebič používat pod odpovídajícím dohledem, nebo pokud byly poučeny o bezpečném používání spotřebiče a chápou nebezpečí spojená s jeho používáním.

Děti si se spotřebičem nesmějí hrát. Čištění a uživatelskou údržbu by neměly provádět děti, pokud nejsou starší 8 let a nejsou pod dohledem.

Udržujte zařízení a jeho kabel mimo dosah dětí mladších 8 let.

- **VAROVÁNÍ:** Je-li spotřebič provozován v kombinovaném režimu, mohou děti používat troubu z důvodu generovaných teplot pouze pod dohledem dospělého.

(Platí jen pro přístroje s funkcí grilu)

- **UPOZORNĚNÍ:** Pokud jsou dvířka nebo těsnění dvířek poškozené, trouba se nesmí používat, dokud ji neopraví kvalifikovaná osoba.
- **VAROVÁNÍ:** Pro kohokoli jiného, než kompetentní osobu je nebezpečné provádět jakékoli servisní nebo opravné operace, které zahrnují odstranění krytu poskytujícímu ochranu před vystavením mikrovlnné energii.
- **VAROVÁNÍ:** Tekutiny a jiné potraviny se nesmějí ohřívat v uzavřených nádobách, protože ty mohou explodovat.
- Dohlédněte na to, aby si se spotřebičem nehrály děti.
- Neodstraňujte nožičky trouby a neblokujejte větrací otvory trouby.
- Používejte pouze nádobí vhodné pro použití v mikrovlnných troubách.
- Při ohřívání potravin v plastových nebo papírových nádobách troubu kvůli možnosti vznícení hlídejte.
- Pokud se vyskytne kouř, ihned vypněte přístroj a zástrčku vytáhněte ze zásuvky; dvířka nechte otevřená a případný oheň uhasťte.
- Mikrovlnný ohřev nápojů může mít za následek opožděný erupční zavření, proto je při manipulaci s nádobou nutná opatrnost.
- Obsah lahví na krmení a nádob na dětskou výživu je třeba před konzumací promíchat nebo protřepat a zkontrolovat teplotu, aby nedošlo k popálení.

- Vejce ve skořápce a celá natvrdo uvařená vejce by se neměla ohřívat v mikrovlnných troubách, protože mohou explodovat, a to i po ukončení mikrovlnného ohřevu.
- Když čistíte povrchy dvířek, těsnění, vnitřek trouby, používejte pouze jemné neabrazivní čisticí prostředky nebo mýdla a nanášejte je pomocí houbičky nebo jemného hadříku.
- Troubu je třeba pravidelně čistit a odstraňovat veškeré zbytky jídla.
- Pokud nebudete troubu udržovat v čistém stavu, mohlo by to vést ke zhoršení povrchu, což by mohlo nepříznivě ovlivnit životnost spotřebiče a případně vést ke vzniku nebezpečné situace.
- Pokud je napájecí kabel poškozen, musí být vyměněn výrobcem, jeho servisním zástupcem nebo podobně kvalifikovanými osobami, aby se zabránilo nebezpečí.
- Nenechávejte kabel viset přes okraj stolu nebo pracovní desky.
- Abyste zabránili nebezpečí, nikdy zařízení nepřipojujte k externímu časovému spínači nebo systému dálkového ovládání.
- Nikdy sami nevyměňujte žárovku uvnitř trouby. Vždy ji musí vyměnit služba Hisense.
- Nečistěte zařízení parními čističi, vysokotlakými čističi, ostrými předměty, abrazivními čisticími prostředky a houbičkami ani odstraňovači skvrn.

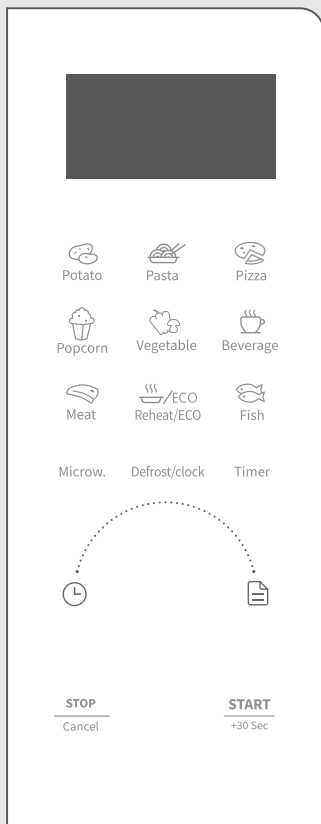


V dalším textu jsou uvedena některá pravidla a bezpečnostní opatření, na která stejně jako u jiných přístrojů musí být brán zřetel, aby přístroj fungoval bezvadně, účinně a dlouhodobě bez problémů:

1. Pokud je mikrovlnná trouba v činnosti, musí být skleněný talíř, držáky válců, spojka a drážky vždy na svém místě.
2. Nepoužívejte troubu pro žádné jiné účely než pro přípravu jídel; v mikrovlnné troubě nesušte oblečení, papír nebo jiné předměty a nepoužívejte ji pro sterilizaci.
3. Nikdy nezapínejte troubu, pokud je prázdná, protože byste ji mohli poškodit.
4. V mikrovlnné troubě neskladujte žádný předmět: např. papír, recepty atd.
5. Nevařte pokrmy s blánou nebo slupkou, např. vaječné žloutky, brambory, kuřecí játra atd., aniž byste předtím blánu nebo slupku na více místech před vařením propíchlí.
6. Nevkládejte žádné předměty do otvorů na vnější straně trouby.
7. Nikdy nedemontujte části trouby, např. patky, zámek, šroubky atd.
8. Nevařte pokrmy přímo na skleněném talíři v troubě. Než pokrm vložíte do trouby, dejte jej do vhodné nádoby.  
**DŮLEŽITÉ** – Kuchyňské nádobí, jehož použití v mikrovlnné troubě je zakázáno:
  - Nepoužívejte kovové pánve nebo nádoby s kovovými držadly.
  - Nepoužívejte nádobí s hranami potaženými kovem.
  - Nepoužívejte papírem potažené kovové drátky k zavírání igelitových sáčků.
  - Nepoužívejte nádobí z melaminu, protože obsahuje materiál, který absorbuje mikrovlnné paprsky. To může způsobit, že nádoba praskne nebo se spálí, kromě toho může zpomalit rychlost ohřívání nebo vaření.
  - Nepoužívejte nádobí bez vhodné ochrany, která je určena k používání v mikrovlnné troubě. Nepoužívejte ani uzavřené nádobí s rukojetí.
  - Nepřipravujte pokrmy nebo nápoje v nádobí se zúženým okrajem, např. láhev, která může při ohřívání prasknout.
  - Nepoužívejte klasické teploměry na maso a cukroví.
  - Používat můžete pouze teploměry, které jsou určeny k použití v mikrovlnných troubách.
9. Pomůcky pro mikrovlnnou troubu používejte pouze v souladu s návody jejich výrobce.
10. Nepokoušejte se v mikrovlnné troubě smažit potraviny.
11. Dbejte na to, aby se v troubě ohřál pouze obsah nádoby, a ne samotná nádoba, ve které se obsah nachází.

- Může se totiž stát, že po nadzvednutí pokličky se obsah v nádobě odpařuje nebo z něj stříkají kapky, přestože samotná poklice není horká.
12. Před použitím vždy zkontrolujte teplotu pokrmu, obzvláště pokud je pokrm určen dětem.  
Doporučujeme vám, abyste nikdy neochutnávali pokrmy přímo z trouby. Nejdříve nádobu vyjměte a obsah promíchejte, aby se teplota rovnoměrně rozdělila.
  13. Pokrmy, které obsahují emulzi omastku a vody, např. polévkový základ, musejí v troubě zůstat ještě 30 až 60 sekund po vypnutí. Vývar přestane vřít a nebude bublat, pokud jej promícháte, nebo do něj vložíte polévkovou kostku (např. masox).
  14. Při přípravě pokrmů dávejte pozor, aby se některé druhy pokrmů, např. vánoční pudink, marmeláda nebo mleté maso, neohřály příliš rychle. K ohřívání nebo vaření pokrmů, které obsahují větší množství tuku, nepoužívejte umělohmotné nádobí.
  15. Pomůcky, které používáte při přípravě pokrmů v mikrovlnné troubě, se mohou velmi zahřát, protože pokrmy vylučují teplo. Zejména to platí v případě, kdy je horní část nádoby přikrytá umělohmotnou poklicí nebo krytem. Na přenesení takové nádoby budete potřebovat kuchyňské rukavice.
  16. Abyste snížili riziko požáru v mikrovlnné troubě:
    - a) Nepřevařujte jídlo. Pečlivě kontrolujte průběh ohřívání, pokud se v troubě nacházejí papírové nebo umělohmotné pomůcky, případně nádobí z hořlavého materiálu.
    - b) Než položíte sáček do mikrovlnné trouby, odstraňte drátky, které slouží k jeho uzavírání.
    - c) Pokud předmět v troubě začne hořet, nechte dvířka trouby zavřená, vypněte troubu, vytáhněte zástrčku ze zásuvky nebo vypněte hlavní pojistku na pojistkovém panelu.

## FUNKCE OVLÁDACÍHO PANELU



### DISPLEJ

Zobrazuje hodiny, dobu vaření a nastavení.

### ROZMRAZOVÁNÍ

Toto tlačítko použijte k rozmrazování jídla podle času a hmotnosti.

### MIKROV.

Toto tlačítko použijte k výběru úrovně mikrovlnného výkonu.

### HODINY

Toto tlačítko podržte po dobu 3 sekund pro nastavení hodin.

### ČASOVAČ

Toto tlačítko použijte k nastavení funkce časovače.

### IKONY

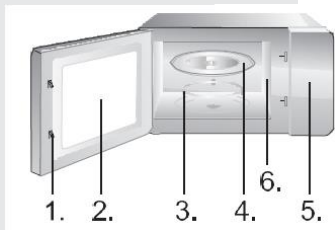
Tato tlačítka použijte k nastavení času a hmotnosti jídla a k výběru programů automatického menu.

### STOP/ZRUŠIT

Toto tlačítko slouží k zastavení nebo zrušení nastavení. Podržte 3 sekundy pro dětskou pojistku

### START/+30 SEK

Toto tlačítko použijte k rychlému spuštění vaření po dobu 30 sekund, ke zvýšení doby vaření o 30 sekund (každým stisknutím) nebo k potvrzení nastavení vaření.



1. Bezpečnostní systém zamykání dveří
2. Okno trouby
3. Válcový kroužek
4. Skleněný talíř
5. Kontrolní panel
6. Vlnovod (neodstraňujte prosím slídovou desku zakrývající vlnovod)

Existuje deset úrovní palebnej síly, 100P, 90P, 80P, 70P, 60P, 50P, 40P, 30P, 20P a 10P. Otočením níže uvedeného ovladače prodloužíte nebo zkrátíte dobu vaření, časový rozsah lze vybrat od 0:10 do 60:00. Po zadání doby vaření zahajte práci stisknutím tlačítka „START/+30s“. Bzučivý zvuk oznamující dokončení operace.

VYSOKÝ	100 % a 90% výstupní výkon	(Použitelné pro rychlé a důkladné vaření)
Středně vysoký	80 % a 70% výstupní výkon	(Použitelné pro středně rychlé vaření)
Střední	60 % a 50 % výstupní výkon	(Použitelné pro vaření pokrmů v páře)
Středně nízký	40 % a 30 % výstupního výkonu	(Použitelné pro rozmrazování potravín)
NÍZKÝ	20 % a 10 % výstupního výkonu	(Použitelné pro udržení tepla)

 **POZOR**

- a. Maximální čas, který lze nastavit, je 60 minut.
- b. Nikdy nepoužívejte troubu, pokud je prázdná.
- c. Při maximálním mikrovlnném výkonu trouba po určité době vaření automaticky sníží výkon, aby se prodloužila životnost.
- d. Chcete-li během provozu jídlo otočit, stiskněte jednou tlačítko **START/ +30s**

a nastavený postup přípravy bude pokračovat.

- e. Pokud máte v úmyslu vybrat jídlo před stanoveným časem, musíte stisknout „**STOP/CANCEL**“. Stiskněte jedenkrát tlačítko „STOP/CANCEL“ a vymaže se přednastavený postup, abyste zabránili neúmyslnému použití při další přípravě.

---

## ROZMRAZOVÁNÍ / HODINY ROZMRAZOVÁNÍ

Existují dva režimy odmrazování, dEF1 a dEF2. dEF1 pro odmrazování podle hmotnosti a dEF2 pro odmrazování podle času. Stisknutím tohoto tlačítka vyberete odmrazování podle hmotnosti nebo podle času a na displeji se zobrazí „dEF1“ nebo „dEF2“. Otočením knoflíku vyberte hmotnost jídla nebo dobu rozmrazování. Hmotnostní rozsah dEF1 je od 100 do 1500 g a maximální čas dEF2 je 60:00. Po výběru hmotnosti nebo času rozmrazování na spuštění provozu stiskněte tlačítko "START/+30s". Bzučivý zvuk oznamující dokončení operace. V režimu rozmrazování dEF1 podle hmotnosti se ozve pípnutí, které vyzve jídlo k otočení během rozmrazování. Níže jsou uvedeny některé rady ohledně doby rozmrazování potravin:

dEF1	Pro rozmrazování je hmotnostní rozsah od 100 g do 1500 g.
dEF2	Pro rozmrazování je maximální čas 60:00.

 **POZOR**

- a. Aby se dosáhlo jednotný účinek, je třeba jídlo během procesu rozmrazování převrátit.
- b. Rozmrazování obvykle trvá delší dobu jako konečná příprava jídla.
- c. Pokud se jídlo dá krájet nožem, proces rozmrazování lze považovat za dokončený.
- d. Mikrovlny proniknou do hloubky 4 cm ve většině potravin.
- e. Rozmrazené jídlo by se mělo konzumovat co nejdříve, nedoporučujeme je vracet zpět do lednice a znovu zmrazovat.

---

**HODINY**  
(24hodinový  
formát)

V pohotovostním režimu stiskněte a podržte tlačítko „DEFROST/CLOCK“ déle než 3 sekundy pro vstup do rozhraní pro nastavení hodin. Současně obrazovka bliká v hodinách. Hodinu lze nastavit otáčením knoflíku. Po nastavení hodiny stiskněte krátce tlačítko "START/+30s" pro přepnutí do režimu nastavení minut.

Minuty lze nastavit otáčením knoflíku. Po nastavení minut stiskněte znovu tlačítko "START/+30s" pro opuštění režimu nastavení.

## AUTOMATICKÉ VAŘENÍ

K dispozici je osm automatických menu A.1~A.8:

brambory, těstoviny, pizza, popcorn, zelenina, nápoje, maso a ryby. Opakovaným stisknutím tlačítka „Menu“ vyberte požadovanou nabídku a poté otáčením ovladače vyberte hmotnost nabídky. Po výběru hmotnosti vaření na spuštění provozu stiskněte tlačítko "START/+30s". Bzučivý zvuk oznamující dokončení operace.

Displej	Druh	Metoda
A.1	<b>Brambory</b>	Volitelná hmotnost je 250 g, 500 g a 750 g
A.2	<b>Těstoviny</b>	Volitelná hmotnost je 50 g, 100 g a 150 g
A.3	<b>Pizza</b>	Volitelná hmotnost je 200 g a 400 g
A.4	<b>Popcorn</b>	Volitelná hmotnost je 100 g
A.5	<b>Zelenina</b>	Volitelná hmotnost je 200 g, 400 g a 600 g
A.6	<b>Nápoj</b>	Volitelná hmotnost je 1 šálek, 2 šálky nebo 3 šálky, každý o objemu 250 ml.
A.7	<b>Maso</b>	Volitelná hmotnost je 200 g, 400 g a 600 g
A.8	<b>Ryba</b>	Volitelná hmotnost je 200 g, 400 g a 600 g

 **POZOR**

a. Teplota jídla před vařením by měla být 20-25 °C. Vyšší nebo nižší teplota jídla před vařením by vyžadovala prodloužení nebo zkrácení doby vaření.

b. Teplota, hmotnost a tvar jídla do značné míry ovlivní účinek vaření. Pokud se zjistí odchylka od faktoru uvedeného v nabídce výše, můžete čas vaření upravit tak, abyste dosáhli nejlepšího výsledku.

---

## ČASOVAČ

V pohotovostním režimu stiskněte toto tlačítko pro vstup do rozhraní nastavení a na displeji se zobrazí ikona funkce odpočítávání a „0:00“. Otočením knoflíku nastavte čas, maximální čas, který lze zadat, je 60:00. Po nastavení času stiskněte tlačítko "START/+30s" pro zahájení odpočítávání. Bzučivý zvuk oznamující dokončení odpočítávání.



---

**OPĚTOVNÝ  
OHŘEV /  
OPĚTOVNÝ  
OHŘEV ECO**

---

Funkce opětovného ohřevu slouží hlavně k usnadnění ohřívání jídla podle hmotnosti jídla, otáčením knoflíku vyberte vhodnou hmotnost jídla, volitelné hmotnosti jsou 200 g, 400 g, 600 g, 800 g a 1000 g . Po výběru hmotnosti zahajte práci stisknutím tlačítka „START/+30s“. Bzučivý zvuk oznamující dokončení operace.

---

**ECO**

V pohotovostním režimu stiskněte a podržte tlačítko „Reheat“ (opětovný ohřev) po dobu 3 s pro zapnutí ECO a displej se vypne. Při zapínání ECO stiskněte libovolné tlačítko pro vypnutí funkce ECO.

---

## STOP

V procesu nastavování vaření můžete stisknutím tlačítka „STOP“ zrušit nastavení a vrátit se do pohotovostního stavu. V procesu mikrovlnné trouby lze práci pozastavit stisknutím tlačítka „STOP“. V pohotovostním stavu můžete opětovným stisknutím tlačítka „STOP“ funkci zrušit a vrátit se do pohotovostního stavu.

---

## START/+30s

Po nastavení doby vaření nebo hmotnosti pokrmu stiskněte tlačítko „START/+30s“ pro okamžité spuštění mikrovlnné trouby. V pracovním stavu lze stisknutím tlačítka „START/+30s“ prodloužit čas, jedním stisknutím prodloužit 30 sekund, ale režim nabídky a režim rozmrazování hmotnosti nelze nastavit čas. Ve stavu pauzy můžete stisknutím tlačítka „START/+30s“ pokračovat v mikrovlnné troubě před režimem vaření.

---

## EXPRES

V pohotovostním režimu po vložení jídla a zavření dvířek stiskněte tlačítko „START/+30s“ pro rychlé spuštění mikrovlnné trouby. Výchozí pracovní doba je

30 sekund. Během práce stiskněte jednou tlačítko "START/+30s" na 30 sekund. Bzučivý zvuk oznamující dokončení operace.

---

## FUNKCE DĚTSKÉHO ZÁMKU

Tuto funkci použijte k uzamčení ovládacího panelu při čištění nebo k tomu, aby děti nemohly troubu používat bez dozoru. V tomto režimu jsou všechna tlačítka nefunkční.

1) Nastavení zámku: V pohotovostním režimu stiskněte tlačítko "STOP" na déle než 3 sekundy, funkce dětské pojistky se zablokuje a žádná tlačítka mikrovlnné trouby nelze ovládat.

2) Zrušení zámku: Ve stavu dětské pojistky stiskněte tlačítko „STOP“ na déle než 3 sekundy, abyste zrušili funkci dětské pojistky.

Důrazně se doporučuje používat nádoby, které jsou vhodné a bezpečné pro vaření v mikrovlnné troubě. Obecně řečeno, nádoby, které jsou vyrobeny z žáruvzdorné keramiky, skla nebo plastu, jsou vhodné pro mikrovlnné vaření. Nikdy nepoužívejte kovové nádoby pro mikrovlnné vaření a kombinované vaření, protože by mohlo dojít k jiskření. Můžete si vzít odkaz na níže uvedenou tabulku.

Materiál nádoby	Mikrovlny		Poznámky
Tepelně odolná keramika	Ano		Nikdy nepoužívejte keramiku, která je zdobená kovovým okrajem nebo
Tepelně odolný plast	Ano		Nelze použít pro dlouhodobé vaření v mikrovlnné troubě
Tepelně odolné sklo	Ano		
Grilovací rošt	Ne		Grilovací rošt lze používat pouze v režimu grilování a kombinovaném režimu.
Plastická fólie	Ano		Nemělo by se používat při vaření masa nebo kotlet, protože přílišná teplota může poškodit fólii

Následující faktory mohou ovlivnit výsledek vaření:

### Uspořádání potravin

Hrubé kousky uložte na okraj varné nádoby, tenčí kousky do středu. Kousky rozložte rovnoměrně, neměli by se křížit nad sebe.

### Doba ohřevu

Začněte krátkou dobou ohřevu. Zkontrolujte výsledek, podle toho upravte zbývající čas. Provaření může vést k tvorbě kouře a požáru.

### Rovnoměrné vaření

Jídlo, jako je kuře, hamburger nebo steak, by se mělo během vaření jednou otočit. V závislosti na druhu jídla, pokud je to vhodné, během vaření jednou nebo dvakrát promíchejte z vnějšku do středu pokrmu

### Nechte odstát

Po uplynutí doby vaření nechte jídlo v troubě dostatečně dlouhou dobu, aby mohl dokončit svůj cyklus vaření a pozvolným způsobem vychladnout.

### Pokud je jídlo hotové

Barva a tvrdost potravin pomáhají určit, kdy jsou hotové. Mimo jiné:

- z hotové potraviny stoupá rovnoměrně pára ze všech částí,
- klouby drůbeže lze snadno pohybovat,
- vepřové nebo drůbeží maso nevykazuje žádné stopy krve,
- ryba je nepřehledná a dá se vidličkou snadno dělit.

## **Browningová mísa**

Při použití nádoby na hnědnutí nebo samoohřevné nádoby pod ni vždy umístěte tepelně odolný izolátor, jako je porcelánový talíř, aby nedošlo k poškození otočného talíře a otočného kroužku.

## **Plastová fólie vhodná do mikrovlnné trouby**

Při vaření potravin s vysokým obsahem tuku nedovolte, aby se plastový obal dostal do kontaktu s potravinami, protože by se mohl roztavit

## **Plastové nádobí vhodné do mikrovlnné trouby**

Některé plastové nádobí vhodné do mikrovlnné trouby nemusí být vhodné pro vaření potravin s vysokým obsahem tuku a cukru. Rovněž nesmí být překročena doba přehřívání uvedená v návodu k použití pokrmu.

## PROVOZ

### **SERVIS**

Než zavoláte servis, zkontrolujte prosím následující.

1. Vložte jeden šálek vody (cca 150 ml) do skleněné odměrky do trouby a pevně zavřete dvířka. Osvětlení trouby by mělo zhasnout, pokud jsou dvířka správně zavřena. Nechte troubu pracovat 1 min.
2. Svítí žárovka trouby?
3. Funguje chladicí ventilátor?  
(Položte ruku na zadní ventilační otvory.)
4. Otáčí se otočný talíř?

(Otočný talíř se může otáčet ve směru nebo proti směru hodinových ručiček. To je docela normální.)

5. Je voda uvnitř trouby horká?

Pokud je odpověď na některou z výše uvedených otázek „NE“, prosím zkontrolujte zásuvku a pojistku v elektroměru.

Pokud zásuvka i pojistka fungují správně, **KONTAKTUJTE NEJBLIŽŠÍ SCHVÁLENÉ SERVISNÍ STŘEDISKO.**

## **SERVISNÍ ZÁRUKA**

### **Pozor: MIKROVLNNÉ ZÁŘENÍ**

1. Vysokonapěťový kondenzátor zůstává po odpojení nabitý; zkratujte zápornou svorku vysokonapěťového kondenzátoru k šasi trouby (použijte šroubovák), aby se před dotykem vybila.

2. Během servisu mohou být níže uvedené díly odstraněny a umožnit přístup k potenciálu nad 250 V k zemi.

- Magnetron
- Vysokonapěťový transformátor
- Vysokonapěťový kondenzátor
- Vysokonapěťová dioda
- Vysokonapěťová pojistka

3. Následující podmínky mohou způsobit nepřiměřené vystavení mikrovlnám během servisu.

- Nesprávná montáž magnetronu;
- Nesprávné sladění dveřního zámku, dveřního závěsu a dveří;
- Nesprávná montáž držáku spínače;
- Došlo k poškození dveří, těsnění dveří nebo krytu.

## SPECIFIKACE

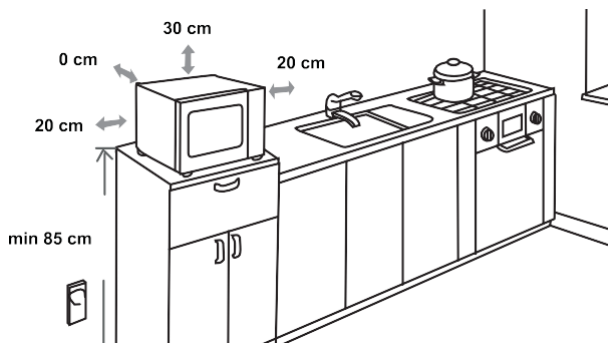
Spotřeba el. energie .....	220-240 V ~50 Hz, 1280 W
Výkon.....	800 W
Funkční frekvence.....	2450 MHz
Vnější rozměry .....	480 x 295 x 352 mm
Objem trouby .....	23 litrů
Hmotnost bez obalu .....	Přibližně 11.7 kg
Hladina hluku .....	Lc ≤61 dB (A)

**Tento přístroj je označen v souladu s evropskou směrnicí 2002/96/ES o elektrickém a elektronickém odpadu (waste electrical and electronic equipment - WEEE).**

**Směrnice obsahuje nařízení o sběru a nakládání s odpady elektrického a elektronického charakteru, které platí v EU.**



## ROZMĚRY PRO INSTALACI





Poruchy funkce  
přijímačů  
(interference)

Mikrovlnná trouba může způsobit poruchu funkce vašeho rádiového nebo televizního přijímače, popř. jiných obdobných přístrojů. V případě, že se vyskytne interference, můžete tuto poruchu snížit, případně zcela odstranit, následovně:

- a) Očistěte dveře a povrch těsnění v troubě.
- b) Umístěte rušený přijímač co možná nejdále od mikrovlnné trouby.
- c) Své rádio nebo televizi vybavte vhodnou anténou, kterou umístíte tak, aby zajistila silný příjem signálu.

VYHRAZUJEME SI PRÁVO NA ZMĚNY, KTERÉ NEMAJÍ  
VLIV NA FUNKČNOST SPOTŘEBIČE.

**Hisense**

## SEHR GEEHRTER KUNDE

Wir danken Ihnen herzlich für Ihren Einkauf. Wir glauben ... dass Sie bald den Beweis dafür haben werden, dass Sie sich auf unsere Produkte wirklich verlassen können. Um den Umgang mit dem Gerät zu erleichtern, legen wir diese ausführliche Bedienungsanleitung bei.

Die Anleitung soll Ihnen helfen, sich mit Ihrem neuen Gerät vertraut zu machen. Bitte lesen Sie diese sorgfältig durch, bevor Sie das Gerät zum ersten Mal verwenden.

Bitte stellen Sie in jedem Fall sicher, dass Ihnen das Gerät unbeschädigt übergeben wurde. Wenden Sie sich bei Feststellung von Transportschäden an Ihren Außendienstmitarbeiter oder an das Regionallager, aus dem das Produkt geliefert wurde. Die Telefonnummer finden Sie auf der Quittung oder dem Lieferschein.

Wir wünschen Ihnen viel Freude mit Ihrem neuen Haushaltsgerät.



Das Haushaltsgerät zum Erwärmen von Speisen und Getränken mit elektromagnetischer Energie, ausschließlich für den Innenbereich.

## GEBRAUCHSANLEITUNG

Diese Anleitung ist für den Anwender bestimmt. Sie beschreibt den Ofen und wie man ihn benutzt. Sie gilt auch für unterschiedliche Gerätetypen, daher finden Sie möglicherweise Funktionsbeschreibungen, die auf Ihr Gerät nicht zutreffen.

Wir behalten uns das Recht auf eventuelle Änderungen und Fehler in der Gebrauchsanleitung vor.



Berühren Sie niemals die Oberflächen von Heiz- oder Kochgeräten. Sie werden während des Betriebs heiß. Halten Sie Kinder in sicherem Abstand. Es besteht Verbrennungsgefahr!



Mikrowellenenergie und Hochspannung!  
Nehmen Sie die Abdeckung nicht ab.

**WARNUNG!** Das Gerät und seine zugänglichen Teile werden während des Gebrauchs heiß. Achten Sie darauf, dass Sie die Heizelemente nicht berühren. Kinder unter 8 Jahren müssen ferngehalten werden, es sei denn, sie werden ständig beaufsichtigt. Beaufsichtigen Sie Kinder, wenn diese das Gerät gebrauchen und achten Sie darauf, dass sie nicht mit dem Gerät spielen.

Dieses Gerät kann von Kindern ab 8 Jahren und darüber sowie von Personen mit eingeschränkten physischen, sensorischen oder geistigen Fähigkeiten oder mangelnder Erfahrung und Kenntnis benutzt werden, wenn sie beaufsichtigt oder bezüglich des sicheren Gebrauchs des Geräts unterwiesen wurden und die damit verbundenen Gefahren verstehen. Kinder nicht mit dem Gerät spielen lassen. Die Reinigung und Wartung darf nicht von Kindern durchgeführt werden, außer sie sind älter als 8 Jahre und werden beaufsichtigt.

Bewahren Sie das Gerät und das Netzkabel immer außer Reichweite von Kindern unter 8 Jahren auf.

- **WARNUNG:** Wenn das Gerät im Kombinationsmodus betrieben wird, sollten Kinder die Mikrowelle aufgrund der hohen Temperaturen nur unter Aufsicht von Erwachsenen benutzen; (nur für das Modell mit Grillfunktion)

- **WARNUNG:** Wenn die Tür oder die Türdichtungen beschädigt sind, darf die Mikrowelle nicht in Betrieb genommen werden, bevor sie von einer sachkundigen Person repariert worden ist;
- **WARNUNG:** Es ist gefährlich, wenn eine nicht fachkundige Person Wartungs- oder Reparaturarbeiten durchführt, bei denen eine Abdeckung entfernt werden muss, die einen Schutz gegen die Einwirkung der Mikrowellenenergie gewährt;
- **WARNUNG:** Flüssigkeiten und andere Lebensmittel dürfen nicht in verschlossenen Behältern erhitzt werden, da sie explodieren können.
- Kinder sollten beaufsichtigt werden, um sicherzustellen, dass sie nicht mit dem Gerät spielen.
- Entfernen Sie nicht die Füße der Mikrowelle, blockieren Sie nicht die Luftzufuhr der Mikrowelle.
- Nur Utensilien benutzen, die auch für den Gebrauch in der Mikrowelle geeignet sind.
- Wenn Sie Lebensmittel in Plastik- oder Papierbehältern erhitzen, sollten Sie den Mikrowellen-Ofen im Auge behalten, da die Möglichkeit einer Entflammung besteht;
- Wenn Rauch austritt, schalten Sie das Gerät aus oder ziehen Sie den Netzstecker und halten Sie die Tür geschlossen, um Flammen zu ersticken;
- Das Erhitzen von Getränken in der Mikrowelle kann zu einem verzögerten Eruptionssieden führen, daher ist bei der Handhabung des Behälters Vorsicht geboten;
- Der Inhalt von Fläschchen und Gläsern mit Babynahrung muss vor dem Verzehr umgerührt oder geschüttelt und die Temperatur überprüft werden, um Verbrennungen zu vermeiden;

- Eier in der Schale und ganze hartgekochte Eier sollten nicht in der Mikrowelle erhitzt werden, da sie explodieren können, auch wenn die Mikrowellenerhitzung beendet ist;
- Verwenden Sie zum Reinigen der Türoberfläche, der Türdichtung oder des Garraums nur milde, nicht scheuernde Seifen oder Reinigungsmittel, die mit einem Schwamm oder einem weichen Tuch aufgetragen werden.
- Der Mikrowellen-Ofen sollte regelmäßig gereinigt und Lebensmittelablagerungen entfernt werden;
- Wird der Mikrowellen-Ofen nicht sauber gehalten, kann dies zu einer Verschlechterung der Oberfläche führen, die sich negativ auf die Lebensdauer des Geräts auswirken und möglicherweise zu einer gefährlichen Situation führen kann;
- Bei Beschädigung des Anschlusskabels, darf dieses nur vom Hersteller, seinem autorisierten Kundendienst oder einer entsprechend qualifizierten Person ausgetauscht werden, um einen Stromschlag zu vermeiden.
- Lassen Sie das Kabel nicht über den Rand des Tisches oder der Arbeitsplatte hängen.
- Schließen Sie dieses Gerät niemals an eine externe Zeitschaltuhr oder ein Fernbedienungssystem an, um eine gefährliche Situation zu vermeiden.
- Ersetzen Sie niemals die Glühbirne im Inneren der Mikrowelle. Es muss immer durch den Hisense-Service ersetzt werden.
- Reinigen Sie das Gerät nicht mit Dampfreinigern, Hochdruckreinigern, scharfen Gegenständen, Scheuermitteln, Scheuerschwämmen und Fleckentfernern.

## SICHERHEITSHINWEISE FÜR DEN ALLGEMEINEN GEBRAUCH

Nachfolgend finden Sie, wie bei allen Geräten, bestimmte Regeln und Sicherheitsvorkehrungen, die Sie beachten sollten, um ein optimales Ergebnis dieses Backofens zu gewährleisten:

1. Für den Betrieb der Mikrowelle müssen der Glasteller, die Rollenarme, die Kupplung und die Rollenschiene immer an ihrem Platz sein.
2. Verwenden Sie die Mikrowelle nicht für andere Zwecke als die Zubereitung von Speisen, z. B. zum Trocknen von Kleidung, Papier oder anderen Gegenständen, die keine Lebensmittel sind, oder zum Sterilisieren.
3. Betreiben Sie die Mikrowelle nicht im leeren Zustand. Dies könnte den Backofen beschädigen.
4. Verwenden Sie den Garraum nicht für die Aufbewahrung von Papieren, Kochbüchern usw.
5. Garen Sie keine von einer Membran umgebenen Lebensmittel, wie Eigelb, Kartoffeln, Hühnerleber, u. a., ohne sie vorher mehrmals mit einer Gabel anzustechen.
6. Stecken Sie keine Gegenstände in die Öffnungen des äußeren Gehäuses.
7. Entfernen Sie zu keiner Zeit Teile der Mikrowelle wie Füße, Kupplungen, Schrauben usw.
8. Garen Sie die Speisen nicht direkt auf dem Glasteller. Legen Sie die Speisen in/auf ein geeignetes Kochgeschirr, bevor Sie sie in den Ofen schieben.

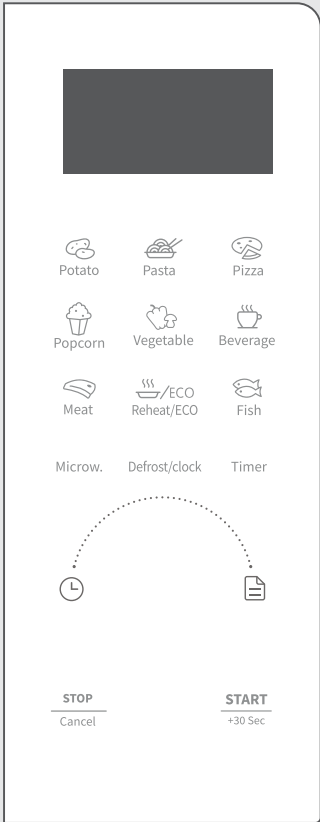
### **WICHTIG - KOCHGESCHIRR, DAS NICHT IN DER MIKROWELLE VERWENDET WERDEN DARF**

- Verwenden Sie keine Metallpfannen oder Geschirr mit Metallgriffen.
  - Verwenden Sie keine Gegenstände mit Metallverzierungen.
  - Verwenden Sie keine papierummantelten Drahtbinder für Plastikbeutel.
  - Verwenden Sie kein Melamingeschirr, da dieses einen Stoff enthält, der Mikrowellenenergie absorbiert. Dies kann dazu führen, dass das Geschirr Risse bekommt oder verkohlt und verlängert die Garzeit.
  - Verwenden Sie kein Centura-Geschirr. Die Glasur ist nicht für die Mikrowelle geeignet. Corelle Livingware Tassen mit geschlossenem Henkel sollten nicht verwendet werden.
  - Kochen Sie nicht in Behältern mit einer verengten Öffnung, wie z. B. einer Limonadenflasche oder einer verschlossenen Ölflasche, da diese beim Erhitzen in der Mikrowelle explodieren können.
  - Verwenden Sie keine herkömmlichen Fleisch- oder Zuckerthermometer.
  - Es gibt Thermometer, die speziell für das Garen in der Mikrowelle geeignet sind. Diese können benutzt werden.
9. Mikrowellennutensilien sollten nur gemäß den Anweisungen des Herstellers verwendet werden.
  10. Versuchen Sie nicht, Lebensmittel in diesem Ofen zu frittieren.
  11. Bitte denken Sie daran, dass ein Mikrowellenherd nur die Flüssigkeit in einem Behälter erwärmt und nicht den Behälter selbst. Auch wenn sich der Deckel eines Behälters nicht heiß anfühlt,

wenn er aus der Mikrowelle genommen wird, sollten Sie daran denken, dass die darin befindlichen Lebensmittel/Flüssigkeiten beim Abnehmen des Deckels die gleiche Menge an Dampf und/oder Spritzern freisetzen wie beim herkömmlichen Kochen.

12. Prüfen Sie die Temperatur von gekochten Lebensmitteln immer selbst, vor allem, wenn Sie Lebensmittel/Flüssigkeit für Säuglinge erhitzen oder kochen. Es ist ratsam, Speisen/Flüssigkeiten nie direkt aus der Mikrowelle zu verzehren, sondern sie einige Minuten stehen zu lassen und umzurühren, damit sich die Hitze gleichmäßig verteilt.
13. Speisen, die eine Mischung aus Fett und Wasser enthalten, z. B. Brühe, sollten nach dem Ausschalten des Ofens noch 30-60 Sekunden in der Mikrowelle stehen. Dadurch kann sich die Mischung absetzen und Blasenbildung verhindern, wenn ein Löffel in die Speise/Flüssigkeit gegeben oder ein Brühwürfel hinzugefügt wird.
14. Denken Sie beim Zubereiten/Kochen von Speisen/Flüssigkeiten daran, dass bestimmte Lebensmittel, z. B. Weihnachtspudding, Marmelade und Hackfleisch, sehr schnell heiß werden. Verwenden Sie beim Erhitzen oder Kochen von Lebensmitteln mit hohem Fett- oder Zuckergehalt keine Kunststoffbehälter.
15. Das Kochgeschirr kann aufgrund der von den erhitzten Speisen übertragenen Wärme heiß werden. Dies gilt insbesondere, wenn Plastikfolie die Oberseite und die Griffe des Utensils bedeckt hat. Möglicherweise werden Topflappen benötigt, um das Utensil zu handhaben.
16. Um die Feuergefahr im Innenraum zu vermindern:
  - a) Lassen Sie das Essen nicht zu lange garen. Gehen Sie vorsichtig mit dem Mikrowellenherd um, wenn Sie Papier, Plastik oder andere brennbare Materialien in den Herd legen, um das Garen zu erleichtern.
  - b) Entfernen Sie die Drahtverschlüsse von den Beuteln, bevor Sie den Beutel in den Ofen schieben.
  - c) Wenn sich Materialien im Inneren der Mikrowelle entzünden sollten, halten Sie die Tür geschlossen, schalten Sie die Mikrowelle am Wandschalter aus oder schalten Sie die Stromversorgung an der Sicherungs- oder Leistungsschaltertafel aus.

# BEDIENUNG DES BEDIENFELDS



## ANZEIGE

Zeigt Uhrzeit, Garzeit und Einstellung an.

## AUFTAUEN

Verwenden Sie diese Taste, um die Lebensmittel nach Zeit und Gewicht aufzutauen:

## MICROW.

Verwenden Sie diese Taste, um die Leistungsstufe der Mikrowelle auszuwählen.

## UHR

Halten Sie diese Taste 3 Sekunden lang gedrückt, um die Uhr einzustellen.

## TIMER

Taste, um die Timer-Funktion einzustellen.

## SYMBOLE

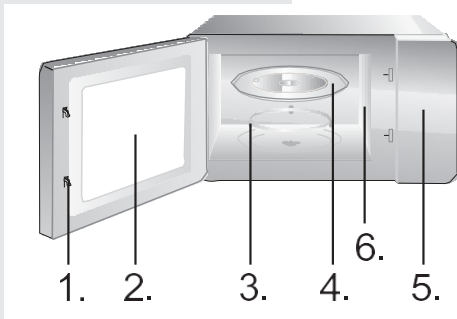
Verwenden Sie diese Tasten, um die Zeit und das Lebensmittelgewicht einzustellen und die Auto-Menü-Programme auszuwählen.

## STOPP/ABBRECHEN

Verwenden Sie diese Taste, um die Einstellung zu stoppen oder abbrechen. 3 Sekunden halten für die Kindersicherung

## START/+30 SEC

Verwenden Sie diese Taste, um 30 Sekunden lang schnell zu garen, die Garzeit um 30 Sekunden zu verlängern (mit jedem Drücken) oder die Gareinstellungen zu bestätigen.



1. Tür-Sicherheitsverriegelungssystem
2. Mikrowellenherdfenster
3. Drehring
4. Glasteller
5. Bedienfeld
6. Wellenleiter (bitte entfernen Sie nicht die Glimmerplatte, die den Wellenleiter abdeckt)



## MIKROWELLENFUNKTION

Es gibt zehn Mikrowellen-Leistungstufen, 100P, 90P, 80P, 70P, 60P, 50P, 40P, 30P, 20P und 10P. Drehen Sie den unteren Knopf, um die Garzeit zu erhöhen oder zu verringern. Der Zeitbereich kann von 0:10 bis 60:00 eingestellt werden. Drücken Sie nach Eingabe der Zeit die "START/+30s."-Taste, um den Betrieb zu starten. Ein Summton meldet den Abschluss des Vorgangs.

HOCH	100 % und 90 % Leistungsabgabe	(Anwendbar für schnelles und gründliches Kochen)
Mittelhoch	80 % und 70 % Leistungsabgabe	(Gilt für mittleres Express-Kochen)
Mittel	60 % und 50 % Leistungsabgabe	(Gilt für das Dämpfen von Lebensmitteln)
Mittelniedrig	40 % und 30 % Leistungsabgabe	(Gilt für das Auftauen von Lebensmitteln)
NIEDRIG	20 % und 10 % Leistungsabgabe	(Gilt für das Warmhalten)

### VORSICHT

- a. Die maximal einstellbare Zeit beträgt 60 Minuten
- b. Betreiben Sie die Mikrowelle niemals leer.
- c. Bei maximaler Mikrowellenleistung senkt der Ofen die Leistung nach einer bestimmten Garzeit automatisch, um die Lebensdauer zu verlängern.
- d. Wenn Sie das Essen während des Betriebs drehen, drücken Sie die Taste **START/+30s** einmal und der zuvor eingestellte Garvorgang wird fortgesetzt.

**ABTAUEN/  
UHR ZUM ABTAUEN**

- e. Wenn Sie beabsichtigen, die Lebensmittel vor Ende der zuvor eingestellten Zeit zu entfernen, muss die Taste **STOP/CANCEL** einmal gedrückt werden, um den voreingestellten Vorgang zu löschen, um eine unbeabsichtigte Bedienung bei der nächsten Verwendung zu vermeiden.

Es gibt zwei Auftaumodi, dEF1 bzw. dEF2. dEF1 dient für das Auftauen nach Gewicht und dEF2 für das Auftauen nach Zeit. Drücken Sie diese Taste, um den Abtauvorgang nach Gewicht oder Zeit auszuwählen, und der Bildschirm zeigt „dEF1“ oder „dEF2“ an. Drehen Sie den Knopf, um das Lebensmittelgewicht bzw. die Auftauzeit auszuwählen. Der Gewichtsbereich von dEF1 liegt zwischen 100 und 1500 g, und die maximale Zeit von dEF2 beträgt 60:00. Nachdem Sie das Abtaugewicht oder die Abtauzeit ausgewählt haben, drücken Sie die Taste "START/+30s", um die Funktion zu starten. Ein Summton meldet den Abschluss des Vorgangs. Beim dEF1 Abtaumodus nach Gewicht ertönt ein Piepton, der daran erinnert, die Lebensmittel während des Abtauens umzudrehen.

Nachfolgend finden Sie einige Tipps zum Auftauen von Lebensmitteln:

dEF1	Der Gewichtsbereich für das Auftauen reicht von 100 g bis 1500 g.
dEF2	Für das Auftauen beträgt die maximale Zeit 60:00 Uhr.

 **VORSICHT**

- a. Um eine gleichmäßige Wirkung zu erzielen, ist es notwendig, die Lebensmittel während des Betriebs umzudrehen.
- b. Normalerweise dauert das Auftauen länger als das Garen der Lebensmittel.
- c. Wenn die Lebensmittel mit dem Messer geschnitten werden können, kann der Auftauvorgang als abgeschlossen betrachtet werden.
- d. Die Mikrowelle dringt etwa 4 cm tief in die meisten Lebensmittel ein.
- e. Aufgetaute Lebensmittel sollten so schnell wie möglich verzehrt werden, es ist nicht ratsam, sie wieder in den Kühlschrank zu legen und erneut einzufrieren.

---

**UHR (24-Stundenuhr)**

Drücken Sie im Standby-Modus die Taste „DEF/MENU/CLOCK“ länger als 3 Sekunden, um die Benutzeroberfläche zur Einstellung der Uhrzeit aufzurufen. Gleichzeitig blinkt der Bildschirm in Stunden. Die Stundenzahl kann durch Drehen des Knopfes eingestellt werden. Drücken Sie nach dem Einstellen der Stunde kurz die Taste „START/+30s“, um in den Einstellungs-Minutenmodus zu wechseln. Die Minuten können durch Drehen des Knopfes eingestellt werden. Drücken Sie nach dem Einstellen der Minuten erneut die Taste "START/+30s", um den Einstellungsmodus zu verlassen.

Es gibt acht automatische Menüs A.1 ~ A.8, Kartoffeln, Pasta, Pizza, Popcorn, Gemüse, Getränke, Fleisch und Fisch. Drücken Sie die Taste „Menü“ kontinuierlich, um das gewünschte Menü auszuwählen, und drehen Sie dann den Drehknopf, um das Gewicht des Menüs auszuwählen. Drücken Sie nach Auswahl des Aufaugewichts die "START/+30S"-Taste, um die Funktion zu starten. Ein Summton meldet den Abschluss des Vorgangs.

<b>Anzeige</b>	<b>Art</b>	<b>Methode</b>
<b>A.1</b>	<b>Kartoffeln</b>	Das zur Auswahl stehenden Gewichte sind 250g, 500g und 750g
<b>A.2</b>	<b>Pasta</b>	Die zur Auswahl stehenden Gewichte sind 50g, 100g und 150g
<b>A.3</b>	<b>Pizza</b>	Die zur Auswahl stehenden Gewichte sind 200g und 400g
<b>A.4</b>	<b>Popcorn</b>	Das zur Auswahl stehende Gewicht ist 100g
<b>A.5</b>	<b>Gemüse</b>	Die zur Auswahl stehenden Gewichte sind 200g, 400g und 600g
<b>A.6</b>	<b>Getränke</b>	Die zur Auswahl stehenden Gewichte sind 1 Tasse, 2 Tassen oder 3 Tassen, jeweils ca. 250 ml.
<b>A.7</b>	<b>Fleisch</b>	Die zur Auswahl stehenden Gewichte sind 200g, 400g und 600g
<b>A.8</b>	<b>Fisch</b>	Die zur Auswahl stehenden Gewichte sind 200g, 400g und 600g



## VORSICHT

- a. Die Temperatur der Lebensmittel vor dem Kochen sollte 20-25 °C betragen. Eine höhere oder niedrigere Temperatur der Speisen vor dem Kochen erfordert eine Erhöhung oder Verkürzung der Garzeit.
- b. Die Temperatur, das Gewicht und die Form der Lebensmittel haben einen großen Einfluss auf den Gareffekt. Wenn eine Abweichung von dem im obigen Menü angegebenen Faktor festgestellt wird, können Sie die Garzeit für ein optimales Ergebnis anpassen.

---

### TIMER

Drücken Sie im Standby-Modus diese Taste, um die Einstellungsoberfläche aufzurufen, und das Countdown-Funktionssymbol und "0:00" werden auf dem Bildschirm angezeigt. Drehen Sie den Drehknopf, um die Zeit einzustellen. Die maximale Zeit, die eingegeben werden kann, beträgt 60:00. Drücken Sie nach dem Einstellen der Uhrzeit die Taste „START/+30s“, um den Countdown zu starten. Ein Summton meldet den Abschluss des Vorgangs.

---

**REHEAT/ECO REHEAT  
(Aufwärmen)**

Die Aufwärmfunktion dient hauptsächlich dazu, es Benutzern zu erleichtern, Lebensmittel entsprechend dem Gewicht der Lebensmittel zu erwärmen, den Knopf zu drehen, um das geeignete Gewicht der Lebensmittel auszuwählen. Die optionalen Gewichte sind 200 g, 400 g, 600 g, 800 g und 1000 g. Drücken Sie nach Eingabe der Zeit die "START/+30s."-Taste, um die Funktion zu starten. Ein Summton meldet den Abschluss des Vorgangs.

---

**ECO**

Halten Sie im Standby-Modus die Aufwärm Taste 3 Sekunden lang gedrückt, um ECO einzuschalten, und Display erlischt. Drücken Sie beim Einschalten von Eco eine beliebige Taste, um die ECO-Funktion auszuschalten.

---

**STOPP**

Sie können während der Kocheinstellungen die "STOP"-Taste drücken, um die Einstellungen aufzuheben und in den Standby-Zustand zurückzukehren. Während des Betriebs des Mikrowellenofens kann die "STOP-Taste" gedrückt werden, um zu pausieren. Im Standby-Zustand kann die "STOP"-Taste erneut gedrückt werden, um die Funktion abubrechen und in den Standby-Zustand zurückzukehren.

---

**START/+30s**

Drücken Sie nach dem Einstellen der Garzeit oder des Lebensmittelgewichts die "START/+30s"-Taste, um den Mikrowellenofen sofort zu starten. Im Betriebszustand können Sie die "START/+30s"-Taste drücken, um die Zeit zu verlängern. Drücken Sie einmal, um die Zeit um 30 Sekunden zu verlängern. Im Menümodus und im Gewichtsabtaumodus kann die Zeit aber nicht eingestellt werden. Im Pausenzustand können Sie die "START/+30s"-Taste drücken, um den Mikrowellenherd vor dem Garvorgang weiterlaufen zu lassen.

---

## EXPRESS

Im Standby-Modus, nachdem das Essen eingelegt wurde und die Tür geschlossen ist, drücken Sie die Taste "START/+30s", um die Mikrowelle schnell zu starten. Die Standard-Funktionsdauer ist 30 Sekunden. Drücken Sie während des Arbeitsprozesses die Taste „START/+30s“ einmal für 30 Sekunden. Ein Summton meldet den Abschluss des Vorgangs.

---

## KINDERSICHERUNG

Verwenden Sie diese Funktion, um das Bedienfeld zu sperren, wenn Sie die Mikrowelle reinigen oder damit Kinder sie nicht unbeaufsichtigt benutzen können. In diesem Modus sind alle Tasten außer Betrieb gesetzt.

- 1) Sicherung einstellen: Wenn Sie im Standby-Modus die "STOP"-Taste länger als 3 Sekunden drücken, wird die Kindersicherungsfunktion gesperrt, und keine der Tasten des Mikrowellenofens können mehr bedient werden.
- 2) Sicherung aufheben: Drücken Sie im Zustand der Kindersicherung die "STOP"-Taste länger als 3 Sekunden, um die Kindersicherungsfunktion aufzuheben.



## RICHTLINIEN FÜR KOCHUTENSILIEN

Es wird empfohlen, nur Behälter zu verwenden, die für die Mikrowelle geeignet sind. Im Allgemeinen sind Behälter aus hitzebeständigem Material wie Keramik, Glas oder Kunststoff mikrowellengeeignet. Benutzen Sie niemals Metallbehälter in der Mikrowelle, sonst kann es zur Funkenbildung kommen. Bitte richten Sie sich nach folgender Tabelle.

Material des Behälters	Mikrowelle	Anmerkungen
Hitzbeständige Keramik	Ja	Niemals Keramik mit Metallrand oder glasiertem Dekor verwenden.
Hitzbeständiger Kunststoff	Ja	Darf nicht lange in der Mikrowelle stehen.
Hitzbeständiges Glas	Ja	
Grillrost	Nein	
Plastikfolie	Ja	Es sollte nicht verwendet werden, wenn Fleisch oder Koteletts gekocht werden, da die Übertemperatur dies tun kann eine Beschädigung des Films.

Folgende Faktoren können das Kochergebnis beeinflussen:

### **Anordnung des Garguts**

Dickere Stücke nach außen legen, dünnere Teile zur Mitte hin und gleichmäßig verteilen. Gargut möglichst nicht überlappen lassen.

### **Garzeit**

Beginnen Sie mit einer kurzen Garzeit, prüfen Sie den Garzustand nach Ablauf der eingestellten Zeit und verlängern Sie sie nach Bedarf. Überkochen kann zu Rauch und Verbrennungen führen.

### **Gleichmäßiges Garen**

Speisen wie Hähnchen, Hamburger oder Steaks sollten einmal während des Garens umgedreht werden.

Je nach Art des Lebensmittels, falls zutreffend, während des Garvorgangs ein- oder zweimal von außen zur Mitte der Schüssel umrühren

### **Gargut ruhen lassen**

Nach dem Garvorgang die Speise für eine angemessene Zeit in der Mikrowelle stehen lassen, um den Garvorgang zu abzuschließen und damit das Gargut allmählich abkühlt

### **Garzustand prüfen**

Farbe und Festigkeit des Garguts dienen zur Bestimmung des Garzustands, wie beispielsweise:

- Dampf tritt überall aus dem Gargut aus, nicht nur aus dem Rand
- Geflügelgelenke lassen sich leicht bewegen
- Schweinefleisch oder Geflügel zeigt keine Blutspuren
- Fisch ist nicht mehr durchscheinend und lässt sich leicht mit der Gabel zerteilen

### **Bräunungsteller**

Wenn Sie ein Bräunungsgefäß oder ein selbsterwärmendes Material verwenden, stellen Sie immer einen Wärmeisolator, z. B. einen Porzellanteller darunter, um Schäden durch Hitzeeinwirkung am Drehteller oder am Rollenring zu vermeiden.

### **Mikrowellensichere Plastikfolie**

Zum Garen von Speisen mit hohem Fettanteil, die Folie auf keinen Fall in Berührung mit der Speise bringen, da die Folie sonst schmelzen könnte.

### **Mikrowellensicheres Plastikgeschirr**

Manche mikrowellensichere Plastikbehälter sind nicht zum Garen von sehr fetthaltigen oder zuckerhaltigen Speisen geeignet. Die in den Anleitungen für die verschiedenen Speisen aufgeführte Vorheizzeit darf nicht überschritten werden.

## **WARTUNG**

### **REPARATUR**

Bitte überprüfen Sie Folgendes, bevor Sie den technischen Kundendienst anrufen.

1. Geben Sie eine Tasse Wasser (ca. 150 ml) in ein Glasmaß in den Ofen und verschließen Sie die Tür sicher. Die Innenlampe sollte sich ausschalten, wenn die Tür richtig geschlossen ist. Lassen Sie den Ofen 1 Minute lang arbeiten.

2. Leuchtet die Innenlampe?

3. Funktioniert der Lüftungslüfter?

(Halten Sie Ihre Hand über die hinteren Lüftungsschlitze.)

4. Dreht sich der Drehteller?

(Der Drehtisch kann sich im Uhrzeigersinn oder gegen den Uhrzeigersinn drehen. Dies ist völlig normal.)

#### 5. Ist das Wasser im Ofen heiß?

Wenn „Nein“ die Antwort auf eine der oben genannten Fragen ist, überprüfen Sie Ihre Steckdose und die

Sicherung in Ihrem Messgerätkasten.

Wenn sowohl die Steckdose als auch die Sicherung ordnungsgemäß funktionieren, KONTAKTIEREN SIE EINEN VOM HERSTELLER ZUGELASSENEN KUNDENDIENST IN IHRER NÄHE.

#### **WARTUNGSMASSNAHMEN - Achtung:**

#### MIKROWELLENSTRAHLUNG

1. Der Hochspannungskondensator bleibt nach dem Trennen geladen; den Minuspol des H V Kondensators mit dem Ofenchassis kurz (verwenden Sie einen Schraubendreher), damit er sich entlädt, bevor Sie ihn berühren.

2. Während der Wartung der nachstehend aufgeführten Teile können starke Spannungen von bis zu 250 V zur Erde entstehen.

- Magnetron
- Hochspannungstransformator
- Hochspannungskondensator
- Hochspannungsdiode
- Hochspannungssicherung

3. Nachstehend aufgeführte Situationen können zur Aussendung von Mikrowellenstrahlen während der Reparatur führen.

- Falscher Einbau des Magnetrons.
- Falscher Einbau der Türverriegelung, des Türscharniers und der Tür.
- Unsachgemäßes Anschließen des Schalters;
- Tür, Türdichtung oder Gehäuse ist beschädigt.

## SPEZIFIKATIONEN

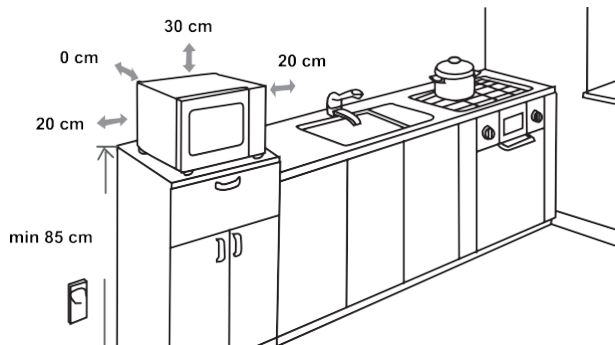
Stromverbrauch.....	220-240V ~50Hz, 1280W
Ausgangsleistung.....	800 W
Betriebsfrequenz .....	2450 MHz
Außenmaße .....	480 x 295 x 352 mm
Mikrowellen-Kapazität .....	23 Liter
Leergewicht.....	Ca. 11.7 kg
Geräuschpegel .....	Lc ≤ 61 dB (A)



**Dieses Gerät ist gemäß der europäischen Richtlinie 2012/19/EU über Elektro- und Elektronik-Altgeräte gekennzeichnet.**

**Diese Richtlinie bildet den Rahmen für eine europaweite Gültigkeit der Rückgabe und des Recyclings von Elektro- und Elektronikaltgeräten.**

## EINBAUMASSE



## FUNKSTÖRUNG

Der Mikrowellenherd kann Störungen bei Ihrem Radio, Fernseher oder ähnlichen Geräten verursachen. Wenn Störungen auftreten, können sie durch die folgenden Verfahren beseitigt oder reduziert werden.

- a) Reinigen Sie die Tür und die Dichtungsfläche des Backofens.
- b) Stellen Sie das Radio, den Fernseher usw. so weit wie möglich von Ihrem Mikrowellenherd entfernt auf.
- c) Verwenden Sie eine ordnungsgemäß installierte Antenne für Ihr Radio, Ihren Fernseher usw., um einen überzeugenden Signalempfang zu erhalten.

WIR BEHALTEN UNS DAS RECHT VOR, ÄNDERUNGEN VORZUNEHMEN, DIE DIE FUNKTIONALITÄT DES GERÄTS NICHT BEEINTRÄCHTIGEN.

# Hisense

## KÆRE KUNDE

Tak for dit køb. Vi tror, du snart vil få rigeligt bevis for, at du virkelig kan stole på vores produkter. Vi vedlægger denne omfattende brugsanvisning for at gøre brugen af apparatet lettere for dig.

Brugsanvisningen skal hjælpe dig med at blive fortrolig med dit nye apparat. Læs den omhyggeligt, før du bruger apparatet første gang.

Under alle omstændigheder skal du kontrollere, at apparatet er blevet leveret til dig ubeskadiget. Hvis du konstaterer transportskader, skal du kontakte din forhandler eller det lokale lager, hvorfra produktet blev leveret. Telefonnummeret findes på kvitteringen eller fragtbrevet..

Vi håber, du får glæde af dit nye husholdningsapparat.

Ovnen til opvarmning af mad og drikkevarer via elektromagnetisk energi er kun beregnet til indendørs brug.



## BRUGSANVISNING

Denne brugsanvisning er beregnet til brugeren.

Den beskriver mikrobølgeovnen og hvordan man bruger den. Den gælder også for forskellige andre typer af apparater, og derfor kan du støde på beskrivelser af funktioner, der ikke gælder for dit apparat.

Vi tager forbehold for fejl i brugsanvisningen, og vi forbeholder os ret til at foretage ændringer.



Rør aldrig ved overfladerne på apparater til opvarmning eller madlavning. De bliver varme under brug. Hold børn på sikker afstand. Der er risiko for forbrændinger!



Mikrobølgeenergi og højspænding!  
Fjern ikke indkapslingen.

**ADVARSEL!** Apparatet og dets tilgængelige dele bliver varme under brug. Man skal være forsigtig for at undgå at røre ved varmeelementer. Børn på under otte år skal holdes væk fra apparatet, medmindre de er under konstant opsyn. Børn skal være under opsyn for at sikre, at de ikke leger med apparatet.

Apparatet kan bruges af børn i alderen fra otte år og derover og af personer med nedsatte fysiske, sensoriske eller mentale evner og af personer, der mangler den fornødne erfaring og viden, hvis de er under opsyn eller er blevet instrueret i sikker brug af apparatet og forstår den fare, som brugen indebærer. Børn må ikke lege med apparatet. Rengøring og vedligeholdelse må ikke udføres af børn, medmindre de er over otte år og under opsyn.

Hold apparatet og dets ledning uden for rækkevidde af børn under otte år.

- **ADVARSEL:** Når apparatet bruges i kombinationsfunktion, bør børn kun bruge ovnen under opsyn af voksne på grund af de temperaturer, der opstår (gælder kun modellen med grillfunktion).



- **ADVARSEL:** Hvis lågen eller lågens tætningsliste er beskadiget, må ovnen ikke benyttes, før den er blevet repareret af en fagperson.
- **ADVARSEL:** Det er farligt for andre end en fagperson at udføre enhver form for service eller reparation, der indebærer afmontering af indkapslingen, der beskytter mod eksponering for mikrobølgeenergi.
- **ADVARSEL:** Væsker og andre fødevarer må ikke opvarmes i lukkede beholdere, da de kan eksplodere.
- Børn skal være under opsyn for at sikre, at de ikke leger med apparatet.
- Fjern ikke ovnens fødder, og bloker ikke ventilationsåbningerne.
- Brug kun redskaber, der er beregnet til brug i mikrobølgeovne.
- Hold øje med ovnen under opvarmning af fødevarer i plast- eller papirbeholdere, da der er risiko for, at der går ild i beholderne.
- Sluk eller frakobl ovnen, hvis der udvikles røg, og hold lågen lukket for at kvæle eventuelle flammer.
- Opvarmning af drikkevarer i mikrobølgeovn kan medføre forsinket, voldsom opkogning. Vær derfor forsigtig ved håndtering af beholderen.
- Indholdet af sutteflasker og glas med babymad skal omrøres eller rystes, og temperaturen skal kontrolleres, før det gives til barnet, for at undgå forbrændinger.

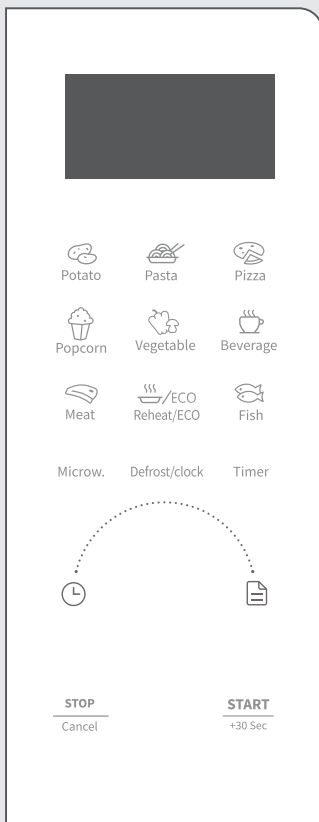
- Æg i skal og hele hårdkogte æg bør ikke opvarmes i mikrobølgeovn, da de kan eksplodere, selv efter at mikrobølgeopvarmningen er afsluttet.
- Brug kun mildt, ikke-slibende rengøringsmiddel eller opvaskemiddel på en svamp eller blød klud til rengøring af lågen, lågens tætningsliste og ovnrummet.
- Ovnen skal rengøres regelmæssigt, og eventuelle aflejringer af madrester skal fjernes.
- Hvis ovnen ikke holdes ren, kan det medføre slitage af overfladen, som kan påvirke ovnens levetid negativt og muligvis resultere i en farlig situation.
- Hvis ledningen bliver beskadiget, skal den udskiftes af producenten, dennes forhandler eller en tilsvarende autoriseret person for at undgå farer.
- Lad ikke ledningen hænge ud over kanten af bordpladen.
- For at undgå farlige situationer må apparatet aldrig slutes til en ekstern timer eller et fjernbetjeningsystem.
- Udskift aldrig pæren i ovnen. Den skal altid udskiftes af en servicetekniker fra Hisense.
- Rengør ikke apparatet med damprensere, højtryksrensere, skarpe genstande, slibende rengøringsmidler, skuresvampe eller pletfjernere.

Nedenfor anføres de regler, der skal følges, og de sikkerhedsforanstaltninger, der skal tages for at sikre topydelse fra denne ovn:

1. Glasbakken, drejarmene, koblingen og rullebanen skal altid være på plads, når ovnen benyttes.
2. Brug ikke ovnen til andre formål end tilberedning af fødevarer, som f.eks. til tørring af tøj, papir eller andre nonfood-genstande eller til sterilisering.
3. Brug ikke ovnen, når den er tom. Det kan beskadige ovnen.
4. Brug ikke ovnrummet til opbevaring af nogen art, som f.eks. papirer, kagebøger og lignende.
5. Tilbered ikke levnedsmidler, der er omgivet af en membran, såsom æggeblommer, kartofler, kyllingelever etc. uden først at gennemboret den flere gange med en gaffel.
6. Stik ikke genstande ind i åbningerne på den ydre indkapsling.
7. Fjern ikke på noget tidspunkt dele fra ovnen såsom fødder, kobling, skruer osv.
8. Tilbered ikke fødevarer direkte på glasbakken. Placer fødevarer i/på beholdere, der er egnet til brug i mikrobølgeovn, før de sættes i ovnen. **VIGTIGT – KØKKENGREJ, DER IKKE MÅ BRUGES I DIN MIKROBØLGEOVN**
  - Brug ikke metalpander, metalskåle eller fade med metalhåndtag.
  - Brug ikke genstande med metalkant.
  - Brug ikke poselukkere med papir og metaltråd på plastposer.
  - Brug ikke melaminskåle, da de indeholder et materiale, der absorberer mikrobølgeenergi. Det kan få skålene til at revne eller forkulle og vil forlænge tilberedningstiden.
  - Brug ikke service af mærket Centura. Glasuren er ikke egnet til brug i mikrobølgeovn. Lukkede håndtagskopper fra Corelle Livingware bør ikke bruges.
  - Tilbered ikke fødevarer i beholdere med en lille åbning såsom sodavandsflasker eller lukkede olieflasker, da de kan eksplodere, hvis de opvarmes i en mikrobølgeovn.
  - Brug ikke almindelige kød- eller sukkertermometre.
  - Der findes termometre, som er specielt beregnet til tilberedning i mikrobølgeovn. Brug et sådant.
9. Mikrobølgeredskaber bør kun bruges i henhold til producentens anvisninger.
10. Forsøg ikke at friturestege fødevarer i denne ovn.
11. Husk, at en mikrobølgeovn kun opvarmer væsken i en beholder i stedet for selve beholderen. Det betyder, at selvom låget på en beholder ikke er

- varmt, når beholderen tages ud af ovnen, vil indholdet frigive lige så meget damp og/eller sprøjte lige så meget som ved almindelig tilberedning, når låget tages af.
12. Kontroller altid selv temperaturen på tilberedt mad, især hvis der opvarmes eller tilberedes mad/væske til babyer. Det frarådes at spise/drikke mad/væske, der lige er taget ud af ovnen. Lad det i stedet stå et par minutter, og rør i maden/væsken for at fordele varmen jævnt.
  13. Lad mad, der består af en blanding af fedt og vand, f.eks. fond, stå i ovnen 30-60 sekunder efter, at den er slukket. Dermed falder blandingen til ro og bobler ikke op, når der kommer en ske i maden/væsken, eller der tilsættes en bouillonterning.
  14. Når du tilbereder/tilbereder mad/væske, skal du huske, at visse fødevarer, f.eks. budding, marmelade og hakkekød, opvarmes meget hurtigt. Brug ikke plastbeholdere ved opvarmning eller tilberedning af fødevarer med højt fedt- eller sukkerindhold.
  15. Beholderne kan blive varme, fordi varmen overføres fra den varme mad. Det gælder især, hvis der er brugt film til at dække beholderen eller dens håndtag. Det kan derfor være nødvendigt at bruge grydelapper til at håndtere beholderen.
  16. Følg disse retningslinjer for at nedsætte risikoen for brand i ovnrummet:
    - a) Undgå at tilberede mad for længe i ovnen. Hold omhyggeligt øje med mikrobølgeovnen, hvis der bruges papir, plast eller andre brændbare materialer i ovnen for at lette tilberedningen.
    - b) Fjern poselukkere, før poser placeres i ovnen.
    - c) Hold ovnlågen lukket, hvis der går ild i indholdet i ovnen, og sluk for ovnen på stikkontakten eller på hovedafbryderen.

# ETJENING AF KONTROLPANEL



## DISPLAY

Viser klokkeslæt, tilberedningstid og indstilling.

## OPTØNING

Brug denne knap til at optø fødevarer efter tid og vægt.

## MICROW. (MIKROB.)

Brug denne knap til at vælge mikrobølgeeffekt.

## UR

Tryk på og hold denne knap inde i tre sekunder for at indstillet uret.

## TIMER

Brug denne knap til at indstille timerfunktionen.

## IKONER

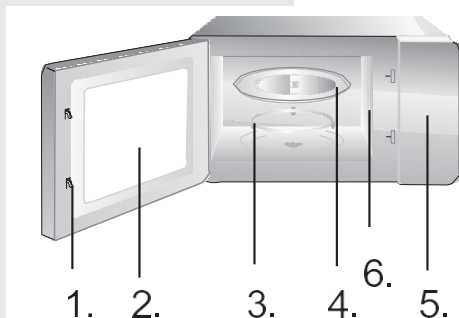
Brug disse knapper til at indstille tilberedningstid og fødevarens vægt samt til at vælge de automatiske menuprogrammer.

## STOP/CANCEL (STOP/ANNULLER)

Brug denne knap til at stoppe eller annullere indstillingen. Tryk på og hold knappen inde i tre sekunder for at aktivere børnesikring.

## START/+30S

Brug denne knap til at aktivere hurtig start med en tilberedningstid på 30 sekunder, øge tilberedningstiden med 30 sekunder (for hvert tryk på knappen) eller bekræfte indstillinger for tilberedning.



1. Sikkerhedslås på låge
2. Ovnrude
3. Drejering
4. Glasbakke
5. Betjeningspanel
6. Bølgeleder (fjern ikke mica-pladen, der dækker bølgelederen)

Der er ti mikrobølgeeffektniveauer: 100P, 90P, 80P, 70P, 60P, 50P, 40P, 30P, 20P og 10P. Drej på knappen nedenfor for at øge eller reducere tilberedningstiden. Tidsintervallet kan indstilles fra 0:10 til 60:00. Når du har valgt tiden, skal du trykke på knappen "START/+30s." for at starte. Der høres en summelyd, når processen er færdig.

HØJ	100 % og 90 % udgangseffekt	(Beregnet til hurtig tilberedning, hvor maden skal være gennemvarm)
M.High	80 % og 70 % udgangseffekt	(Beregnet til mellemhurtig tilberedning)
Med	60 % og 50 % udgangseffekt	(Beregnet til dampning af mad)
M.Low	40 % og 30 % udgangseffekt	(Beregnet til optøning af mad)
LOW	20 % og 10 % udgangseffekt	(Beregnet til at holde mad varm)

### CAUTION

- a. Den maksimale tid, der kan indstilles, er 60 minutter
- b. Brug aldrig ovnen, når den er tom.
- c. Ved den maksimale mikrobølgeeffekt sænker ovnen automatisk effekten efter en vis tilberedningstid for at forlænge levetiden.
- d. Hvis du drejer maden under drift, skal du trykke på knappen **START/+30s**

én gang, hvorefter den forudindstillede tilberedningsproces fortsætter.

e. Hvis du vil fjerne maden inden den forudindstillede tid er gået,

skal du trykke én gang på knappen **STOP/CANCEL** for at slette den forudindstillede proces og undgå utilsigtet drift, næste gang ovnen bruges.

Der er to optøningstilstande: dEF1 og dEF2. dEF1 er beregnet til optøning efter vægt, og dEF2 er beregnet til optøning efter tid. Tryk på denne knap for at vælge optøning efter vægt eller efter tid. Displayet viser "dEF1" eller "dEF2". Drej på knappen for at vælge madvægt eller optøningstid. Vægtintervallet for dEF1 er 100-1500 g, og den maksimale tid for dEF2 er 60:00. Når du har valgt optøning efter vægt eller tid, skal du trykke på knappen "START/+30s" for at starte funktionen. Der høres en summelyd, når processen er færdig. Optøningstilstanden efter vægt (dEF1) afgiver en biplyd, der indikerer, at fødevarer skal vendes under optøning.

Nedenfor findes nogle råd om optøningstid:

dEF1	Vægtintervallet for optøning er 100 g-1500 g.
dEF2	Den maksimale tid for optøning er 60:00.

## CAUTION

- a. Det er nødvendigt at vende fødevareren under funktionen for at opnå ensartet effekt.
- b. Normalt vil optøning kræve længere tid end tilberedning af maden.
- c. Hvis maden kan skæres med kniv, kan optøningsprocessen betragtes som afsluttet.
- d. Mikrobølger trænger ca. 4 cm ind i de fleste fødevarer.
- e. Optøet mad skal indtages så hurtigt som muligt. Det anbefales ikke at lægge maden tilbage i fryseren og fryse den ned igen.

---

### UR (24-timers ur)

I standbytilstand skal du trykke på knappen "DEFROST/CLOCK" og holde den inde i mere end tre sekunder for at åbne grænsefladen for indstilling af uret. Samtidig blinker displayet med timetal. Timetallet indstilles ved at dreje på knappen. Når du har indstillet timetallet, skal du trykke kort på knappen "START/+30s" for at skifte til indstilling af minuttallet.

Minuttallet indstilles ved at dreje på knappen. Efter indstilling af minuttallet skal du trykke på knappen "START/+30s" igen for at afslutte indstillingstilstanden.



## AUTOMATISK TILBEREDNING

Der er otte automatiske menuer (A.1-A.8): kartofler, pasta, pizza, popcorn, grøntsager, drikkevarer, kød og fisk. Tryk flere gange på knappen "Menu" for at vælge den ønskede menu, og drej derefter på knappen for at vælge menuens vægt. Når du har valgt tilberedningsvægten, skal du trykke på knappen "START/+30s" for at starte funktionen. Der høres en summelyd, når processen er færdig.

Display	Type	Metode
A.1	Kartofler	Der kan vælges mellem 250 g, 500 g og 750 g
A.2	Pasta	Der kan vælges mellem 50 g, 100 g og 150 g
A.3	Pizza	Der kan vælges mellem 200 g og 400 g
A.4	Popcorn	Der kan vælges 100 g
A.5	Grøntsager	Der kan vælges mellem 200 g, 400 g og 600 g
A.6	Drikkevarer	Der kan vælges mellem 1 kop, 2 kopper eller 3 kopper. 1 kop svarer til ca. 250 ml.
A.7	Kød	Der kan vælges mellem 200 g, 400 g og 600 g
A.8	Fisk	Der kan vælges mellem 200 g, 400 g og 600 g

## CAUTION

- a. Fødewarens temperatur før tilberedning er 20-25°C. Har fødewaren en højere eller lavere temperatur før tilberedning, skal tilberedningstiden øges eller reduceres.
- b. Fødewarens temperatur, vægt og form vil i høj grad påvirke tilberedningseffekten. Hvis der er afvigelser fra den faktor, der er angivet i ovenstående menu, kan du ændre tilberedningstiden for at opnå det bedst mulige resultat.

---

### TIMER

I standbytilstand skal du trykke på denne knap for at åbne indstillingsmenuen. Nedtællingsfunktionsikonet og "0:00" vises på displayet. Drej på knappen for at indstille tiden. Den maksimale tid, der kan indstilles, er 60:00. Når du har indstillet tiden, skal du trykke på knappen "START/+30s" for at starte nedtællingen. Der lyder en summelyd, når nedtællingen er færdig.

Genopvarmningsfunktionen gør det nemt at opvarme mad i henhold til madens vægt. Drej på knappen for at vælge madens vægt. Der kan vælges mellem 200 g, 400 g, 600 g, 800 g og 1000 g. Når du har valgt vægten, skal du trykke på knappen "START/+30s." for at starte funktionen. Der høres en summelyd, når processen er færdig.

I standbytilstand skal du trykke knappen Genopvarmning og holde den inde i tre sekunder for at slå ECO til, hvorefter displayet slukkes. Tryk på en vilkårlig knap for at slå ECO-funktionen fra.

---

## STOP

Når du indstiller tilberedningen, kan du trykke på knappen "STOP" for at annullere indstillingerne og vende tilbage til standbytilstand. Mens mikrobølgeovnen er i drift, kan du trykke på knappen "STOP" for at sætte den på pause. I standbytilstand kan du trykke på knappen "STOP" igen for at annullere funktionen og vende tilbage til standbytilstand.

---

## START/+30s

Når du har indstillet tilberedningstiden eller fødevarens vægt, skal du trykke på knappen "START/+30s" for at starte mikrobølgeovnen med det samme. I tilberedningsfunktion kan du trykke på knappen "START /+30s" for at øge tiden. Tryk én gang for at øge tiden med 30 sekunder. I menutilstand og vægtoptøningstilstand kan tiden ikke ændres. I pausetilstand kan du trykke på knappen "START/+30s" for at fortsætte mikrobølgeovnens tidligere tilberedningsfunktion.

---

## EKSPRESFUNKTION

Når maden er placeret i mikrobølgeovnen i standbytilstand, og døren er lukket, skal du trykke på knappen "START/+30s" for hurtigt at starte mikrobølgeovnen. Standarddriftstiden er 30 sekunder. Under driften skal du trykke på knappen "START/+30s" én gang for at øge tiden med 30 sekunder. Der høres en summelyd, når processen er færdig.

---

## BØRNESIKRINGSFUNKTION

Brug denne funktion til at låse kontrolpanelet, når du rengør apparatet, eller for at sikre, at børn ikke kan bruge ovnen uden opsyn. Ingen af knapperne er aktive i denne tilstand.

1) Aktivering af børnesikring: I standbyfunktion skal du trykke på knappen "STOP" og holde den inde i mere end tre sekunder. Herved aktiveres børnesikringsfunktionen, og ingen af mikrobølgeovnens knapper er aktive.

2) Deaktivering af børnesikring: I børnesikringsfunktionen skal du trykke på knappen "STOP" og holde den inde i mere end tre sekunder for at slå børnesikringsfunktionen fra.

## RETNINGSLINJER FOR REDSKABER

Det anbefales kraftigt at bruge beholdere, der er egnede til og sikre ved brug i mikrobølgeovn. Generelt er beholdere, der er lavet af varmebestandig keramik, glas eller plast, egnede til tilberedning i mikrobølgeovn. Brug aldrig metalbeholdere ved mikrobølgeovns- eller kombitilberedning, da der sandsynligvis vil forekomme gnister. Du kan orientere dig i nedenstående tabel.

Beholderens materiale	Mikrobølge	Bemærkninger
Varmebestandig keramik	Ja	Brug aldrig keramik, som har metalkant eller er glaseret.
Varmebestandig plast	Ja	Kan ikke bruges til mikrobølgetilberedning i længere tid
Varmebestandigt glas	Ja	
Grillrist	Nej	
Plastfilm	Ja	Bør ikke bruges ved tilberedning af kød, da temperaturen kan beskadige folien.

Følgende faktorer kan påvirke tilberedningsresultatet:

### **Madens placering**

Placer tykkere områder mod ydersiden af fadet og tyndere områder ind mod midten, og fordel maden jævnt. Undgå overlap hvis muligt.

### **Tilberedningstid**

Start med en kort tidsindstilling og vurder madens tilstand, når tiden løber ud. Øg tiden efter det faktiske behov. Overtilberedning kan resultere i røg og forbrændinger.

### **Jævn tilberedning af maden**

Fødevarer såsom kylling, hakkebøf eller steak skal vendes én gang under tilberedningen. Afhængigt af typen af mad skal den, hvis relevant, røres i udefra og ind mod midten af skålen en eller to gange under tilberedningen.

### **Hviletid**

Når tilberedningstiden er gået, skal du lade maden stå i mikrobølgeovnen i et passende tidsrum. Dette gør det muligt for maden at afslutte sin tilberedningscyklus og gradvist afkøle.

### **Om maden er færdig**

Madens farve og hårdhed hjælper med at afgøre, om den er færdig, herunder:

- Damp, der kommer ud fra alle dele af maden, ikke kun fra kanten.
- Kyllingebeben kan nemt bevæges.
- Svinekød eller fjerkræ viser ingen tegn på blod.
- Fisk er uigennemsigtig og kan let skæres med en gaffel.

## **Bruningsskål**

Når du bruger en bruningsskål eller en selvopvarmende beholder, skal du altid placere en varmebestandig isolator, såsom en porcelænsplade, under den for at forhindre beskadigelse af drejeskiven og den roterende ring.

## **Mikrobølgesikker plastfolie**

Når du tilbereder mad med højt fedtindhold, må plastfolien ikke komme i kontakt med maden, da folien kan smelte.

## **Mikrobølgesikre plastikogegrejer**

Nogle mikrobølgesikre plastikogegrejer er muligvis ikke egnede til madlavning af mad med højt fedt- og sukkerindhold.

Forvarmningstiden, der er angivet i udstyrets brugsanvisning, må ikke overskrides.

# **VEDLIGEHOLDELSE**

## **SERVICE**

Kontrollér venligst følgende, før du ringer til servicecenteret.

1. Anbring et glasmålebæger med ca. 150 ml vand i ovnen og luk lågen forsvarligt. Ovnlyset slukker, hvis døren er lukket forsvarligt. Tænd for ovnen i ét minut.
  2. Lyser ovnlyset?
  3. Fungerer køleblæseren?  
(Læg din hånd over de bageste ventilationsåbninger.)
  4. Roterer drejeskiven?



(Drejeskiven kan rotere med eller mod uret. Dette er helt normalt.)

#### 5. Er vandet i ovnen varmt?

Hvis du kan svare "NEJ" til et af ovenstående spørgsmål, bedes du kontrollere vægudtaget og sikringen i din eltavle.

Hvis både vægudtaget og sikringen fungerer korrekt, SKAL DU KONTAKTE DIT NÆRMESTE GODKENDTE SERVICECENTER.

### **SIKKERHEDSFORANSTALTNINGER**

#### **VED SERVICE Advarsel:**

#### MIKROBØLGESTRÅLING

1. Højspændingskondensatoren forbliver ladet efter frakobling. Kortslut den negative terminal på HV-kondensatoren til ovnens chassis (ved hjælp af en skruetrækker) for at aflade før berøring.
2. Under service er det sandsynligt, at de nedenfor anførte fjernes og giver adgang til potentialer over 250 V til jord.
  - Magnetron
  - Højspændingstransformator
  - Højspændingskondensator
  - Højspændingsdiode
  - Højspændingssikring
3. Følgende forhold kan forårsage unødigt mikrobølgeeksponering under service.

- Forkert montering af magnetron
- Forkert matchning af dørlås, dørhængsel og dør
- Forkert montering af kontaktstøtte
- Beskadigelse af dør, dørforsegling eller kabinet

## SPECIFIKATIONER

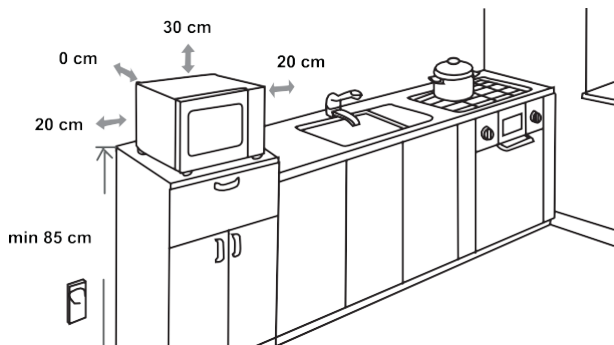
Strømforbrug .....	220-240 V ~50 Hz, 1280 W
Udgangseffekt .....	800 W
Driftsfrekvens .....	2450 MHz
Udvendige mål .....	480 x 295 x 352 mm
Ovnkapacitet.....	23 liter
Nettovægt.....	Ca. 11.7 kg
Støjniveau.....	L <sub>c</sub> ≤ 61 dB (A)



**Dette apparat er mærket i henhold til EU-direktiv 2012/19/EU om affald af elektrisk og elektronisk udstyr (WEEE).**

**Dette direktiv udgør rammen for returnering og genvinding af affald af elektrisk og elektronisk udstyr, som er gældende for hele Europa.**

## MONTERINGSMÅL



## RADIOINTERFERENS

Mikrobølgeovnen kan forårsage interferens i radio, tv eller lignende udstyr. Ved interferens kan problemet løses eller mindskes på følgende måde.

- a) Rengør ovnlågen og dens tætningslister.
- b) Placer radioer, tv'er osv. så langt væk fra mikrobølgeovnen som muligt.
- c) Brug en korrekt installeret antenne til radio, tv osv. for at sikre god signalmodtagelse.

VI FORBEHOLDER OS RETTEN TIL AT FORETAGE ÆNDRINGER, DER IKKE PÅVIRKER APPARATETS FUNKTIONALITET.

**Hisense**

## ΑΓΑΠΗΤΕ ΠΕΛΑΤΗ

Σας ευχαριστούμε για την αγορά σας. Πιστεύουμε ότι σύντομα θα βρείτε επαρκείς αποδείξεις ότι μπορείτε να βασίζεστε στα προϊόντα μας. Για να διευκολύνουμε τη χρήση της συσκευής, επισυνάπτουμε αυτό το πλήρες εγχειρίδιο οδηγιών.

Οι οδηγίες θα σας βοηθήσουν να εξοικειωθείτε με τη νέα σας συσκευή. Διαβάστε τις προσεκτικά πριν χρησιμοποιήσετε τη συσκευή για πρώτη φορά.

Σε κάθε περίπτωση, βεβαιωθείτε ότι η συσκευή σας παραδόθηκε άθικτη. Εάν εντοπίσετε οποιαδήποτε ζημιά κατά τη μεταφορά, επικοινωνήστε με τον αντιπρόσωπο πωλήσεών σας ή την περιφερειακή αποθήκη από όπου παραδόθηκε το προϊόν. Θα βρείτε τον αριθμό τηλεφώνων στην απόδειξη παραλαβής ή παράδοσης.

Σας ευχόμαστε να ευχαριστηθείτε τη νέα σας οικιακή συσκευή.



Η συσκευή προορίζεται για οικιακή χρήση για θέρμανση τροφίμων και ροφημάτων με χρήση ηλεκτρομαγνητικής ενέργειας· χρήση σε εσωτερικούς χώρους μόνο.

## ΟΔΗΓΙΕΣ ΧΡΗΣΗΣ

Αυτές οι οδηγίες προορίζονται για τον χρήστη. Περιγράφουν τη συσκευή και τον τρόπο χρήσης της. Ισχύουν επίσης για διαφορετικούς τύπους συσκευών. Επομένως, ενδέχεται να βρείτε ορισμένες περιγραφές λειτουργιών που δεν ισχύουν για τη συσκευή σας.

Διατηρούμε το δικαίωμα για οποιοσδήποτε αλλαγές και την επιφύλαξη σφαλμάτων στις παρούσες οδηγίες χρήσης.



Μην αγγίζετε ποτέ τις επιφάνειες των συσκευών θέρμανσης ή μαγειρέματος. Θα ζεσταθούν κατά τη λειτουργία. Διατηρείτε τα παιδιά σε απόσταση ασφαλείας. Υπάρχει κίνδυνος εγκαύματος!



Ενέργεια μικροκυμάτων & υψηλή τάση! Μην αφαιρείτε το κάλυμμα.

**ΠΡΟΣΟΧΗ!** Η συσκευή και τα προσβάσιμα σε αυτήν μέρη ζεσταίνονται κατά τη χρήση. Πρέπει να προσέχετε ώστε να αποφεύγεται η επαφή με τα θερμαντικά στοιχεία.

Διατηρείτε μακριά τα παιδιά ηλικίας κάτω των 8 ετών, εκτός αν βρίσκονται υπό συνεχή επίβλεψη. Θα πρέπει να επιβλέπετε τα παιδιά για να εξασφαλίσετε ότι δεν παίζουν με τη συσκευή.

Αυτή η συσκευή μπορεί να χρησιμοποιηθεί από παιδιά ηλικίας από 8 ετών και άνω και από άτομα με μειωμένες σωματικές, αισθητηριακές ή διανοητικές ικανότητες ή έλλειψη εμπειρίας και γνώσης, αν χρησιμοποιούν το προϊόν υπό επίβλεψη ή έχουν λάβει οδηγίες για την χρήση της συσκευής με ασφαλή τρόπο και έχουν κατανοήσει τους κινδύνους που ενέχονται. Τα παιδιά δεν πρέπει να παίζουν με τη συσκευή. Ο καθαρισμός και η συντήρηση δεν πρέπει να γίνονται από παιδιά εκτός εάν είναι μεγαλύτερα των 8 ετών και υπό επίβλεψη.

Διατηρείτε τη συσκευή και το καλώδιο της μακριά από παιδιά κάτω των 8 ετών.

- **ΠΡΟΕΙΔΟΠΟΙΗΣΗ:** Όταν η συσκευή βρίσκεται σε συνδυσασμένη λειτουργία, τα παιδιά θα πρέπει να χρησιμοποιούν τον φούρνο μόνο υπό επίβλεψη, λόγω των υψηλών θερμοκρασιών που αναπτύσσονται. (Μόνο για το μοντέλο με λειτουργία ψησίματος)

- **ΠΡΟΕΙΔΟΠΟΙΗΣΗ:** Αν η πόρτα ή οι τσιμούχες της πόρτας έχουν υποστεί ζημιά, ο φούρνος δεν πρέπει να λειτουργεί μέχρι να επισκευαστεί από ένα κατάλληλο άτομο.
- **ΠΡΟΕΙΔΟΠΟΙΗΣΗ:** Είναι επικίνδυνο για οποιονδήποτε άλλο εκτός από το κατάλληλο άτομο να πραγματοποιήσει οποιαδήποτε εργασία συντήρησης ή επισκευής που περιλαμβάνει αφαίρεση του καλύμματος που προστατεύει από την έκθεση στην ενέργεια μικροκυμάτων.
- **ΠΡΟΕΙΔΟΠΟΙΗΣΗ:** Τα υγρά και άλλα τρόφιμα δεν πρέπει να θερμαίνονται σε σφραγισμένα δοχεία, καθώς μπορεί να εκραγούν.
- Θα πρέπει να επιβλέπετε τα παιδιά για να εξασφαλίσετε ότι δεν παίζουν με τη συσκευή.
- Μην αφαιρείτε τα πέλματα του φούρνου. Μην εμποδίζετε τους αεραγωγούς του φούρνου.
- Χρησιμοποιείτε μόνο σκεύη που είναι κατάλληλα για χρήση σε φούρνους μικροκυμάτων.
- Όταν ζεσταίνετε φαγητό σε πλαστικά ή χάρτινα δοχεία, να παρακολουθείτε τον φούρνο γιατί υπάρχει κίνδυνος ανάφλεξης.
- Εάν παρατηρήσετε καπνό, απενεργοποιήστε ή αποσυνδέστε τη συσκευή και κρατήστε την πόρτα κλειστή για να περιοριστούν οι φλόγες.
- Η θέρμανση ποτών στα μικροκύματα μπορεί να οδηγήσει σε καθυστερημένο βρασμό με έκρηξη, επομένως πρέπει να λαμβάνεται μέριμνα κατά τον χειρισμό του δοχείου.
- Το περιεχόμενο των μπιμπερό και των δοχείων με βρεφικές τροφές θα πρέπει να ανακινείται ή να αναδεύεται, καθώς και να ελέγχεται η θερμοκρασία του πριν καταναλωθεί, για την αποτροπή εγκαυμάτων.

- Τα αβγά με το τσόφλι τους και τα βραστά αβγά δεν θα πρέπει να ζεσταίνονται σε φούρνους μικροκυμάτων, καθώς ενδέχεται να εκραγούν ακόμη και μετά το ζέσταμα στον φούρνο μικροκυμάτων.
- Όταν καθαρίζετε τις επιφάνειες της πόρτας, τις τσιμούχες της πόρτας ή τον θάλαμο του φούρνου, να χρησιμοποιείτε μόνο ήπια, μη διαβρωτικά προϊόντα καθαρισμού ή απορρυπαντικά και να τα εφαρμόζετε με σφουγγάρι ή μαλακό πανί.
- Ο φούρνος πρέπει να καθαρίζεται τακτικά και να αφαιρούνται τυχόν υπολείμματα φαγητού.
- Η μη διατήρηση του φούρνου σε καθαρή κατάσταση μπορεί να οδηγήσει σε φθορά της επιφάνειας, η οποία θα μπορούσε να επηρεάσει αρνητικά τη διάρκεια ζωής της συσκευής και ενδεχομένως να οδηγήσει σε επικίνδυνη κατάσταση.
- Εάν το καλώδιο παροχής ρεύματος πάθει βλάβη, πρέπει να αντικατασταθεί από τον κατασκευαστή, τον αντιπρόσωπο του για την παροχή υπηρεσιών συντήρησης ή από άτομα με αντίστοιχα προσόντα για την αποτροπή κινδύνων.
- Μην αφήνετε το καλώδιο να κρέμεται πάνω από την άκρη του τραπεζιού ή του πάγκου εργασίας.
- Μην συνδέετε ποτέ αυτή τη συσκευή σε εξωτερικό χρονοδιακόπτη ή σύστημα τηλεχειρισμού προκειμένου να αποφύγετε μια επικίνδυνη κατάσταση.
- Ποτέ μην αντικαθιστάτε τον λαμπτήρα στο εσωτερικό του φούρνου. Πρέπει πάντα να αντικαθίσταται από το σέρβις της Hisense.
- Μην καθαρίζετε τη συσκευή με ατμοκαθαριστές, συσκευές καθαρισμού υψηλής πίεσης, αιχμηρά αντικείμενα, διαβρωτικά καθαριστικά και διαβρωτικά σφουγγάρια και καθαριστικά λεκέδων.

Παρακάτω παρατίθενται, όπως συμβαίνει με όλες τις συσκευές, ορισμένοι κανόνες που πρέπει να τηρούνται και διασφαλίσεις για να εξασφαλίσετε την κορυφαία απόδοση αυτού του φούρνου:

1. Να έχετε πάντα τον γυάλινο δίσκο, τους κυλιόμενους βραχίονες, τις συνδέσεις και το σύστημα κύλισης στη θέση τους όταν λειτουργείτε τον φούρνο.
2. Μη χρησιμοποιείτε τον φούρνο για οποιονδήποτε άλλο σκοπό εκτός από την προετοιμασία φαγητού, όπως για το στέγνωμα ρούχων, χαρτιού ή άλλων ειδών που δεν είναι τρόφιμα, ή για αποστείρωση.
3. Μη χρησιμοποιείτε τον φούρνο όταν είναι άδειος. Αυτό θα μπορούσε να προκαλέσει ζημιά στο φούρνο.
4. Μη χρησιμοποιείτε τον θάλαμο του φούρνου ως χώρο αποθήκευσης για χαρτιά, βιβλία μαγειρικής κλπ.
5. Μη μαγειρεύετε τρόφιμα που περιβάλλονται από μεμβράνη, όπως κρόκους αυγών, πατάτες, συκώτι κοτόπουλου, χωρίς πρώτα να τρυπήσετε τη μεμβράνη σε πολλά σημεία με ένα πιρούνι.
6. Μην εισαγάγετε κανένα αντικείμενο στα ανοίγματα του εξωτερικού περιβλήματος.
7. Μην αφαιρείτε ποτέ εξαρτήματα από το φούρνο, όπως πέλματα, συνδέσμους, βίδες κ.λπ.
8. Μη μαγειρεύετε το φαγητό απευθείας στον γυάλινο δίσκο. Τοποθετήστε το φαγητό μέσα ή πάνω σε κατάλληλο μαγειρικό σκεύος πριν το βάλετε στον φούρνο.

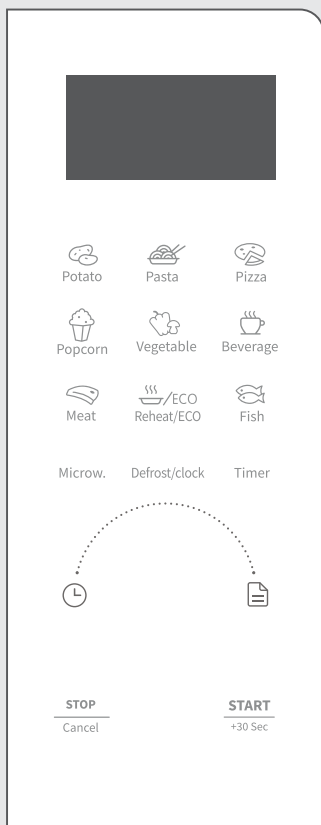
**ΣΗΜΑΝΤΙΚΟ** - ΣΚΕΥΗ ΜΑΓΕΙΡΙΚΗΣ ΠΟΥ ΔΕΝ ΠΡΕΠΕΙ ΝΑ ΧΡΗΣΙΜΟΠΟΙΕΙΤΕ ΣΤΟΝ ΦΟΥΡΝΟ ΜΙΚΡΟΚΥΜΑΤΩΝ ΣΑΣ:

- Μη χρησιμοποιείτε μεταλλικά τηγάνια ή πιάτα με μεταλλικές λαβές.
  - Μη χρησιμοποιείτε τίποτα με μεταλλική επένδυση.
  - Μη χρησιμοποιείτε σύρματα καλυμμένα με χαρτί σε πλαστικές σακούλες.
  - Μη χρησιμοποιείτε πιάτα μελαμίνης καθώς περιέχουν υλικό που απορροφά την ενέργεια μικροκυμάτων. Αυτό μπορεί να προκαλέσει ράγισμα ή κάψιμο των πιάτων και θα επιβραδύνει τη διαδικασία μαγειρέματος.
  - Μη χρησιμοποιείτε σκεύη Centura Tableware. Το γλάσο δεν είναι κατάλληλο για χρήση σε φούρνο μικροκυμάτων. Δεν πρέπει να χρησιμοποιούνται κούπες με κλειστή λαβή Corelle Livingware.
  - Μη μαγειρεύετε σε δοχεία με περιορισμένο άνοιγμα, όπως μπουκάλια λαδιού ή σφραγισμένα μπουκάλια λαδιού, καθώς αυτά τα δοχεία μπορεί να εκραγούν εάν θερμανθούν σε φούρνο μικροκυμάτων.
  - Μη χρησιμοποιείτε συμβατικά θερμόμετρα κρέατος ή ζαχαροπλαστικής.
  - Υπάρχουν διαθέσιμα θερμόμετρα ειδικά για μαγείρεμα σε φούρνο μικροκυμάτων. Αυτά μπορούν να χρησιμοποιηθούν.
9. Τα σκεύη μικροκυμάτων πρέπει να χρησιμοποιούνται μόνο σύμφωνα με τις οδηγίες του κατασκευαστή.
  10. Μην επιχειρήσετε να τηγανίσετε φαγητά σε αυτόν τον φούρνο.
  11. Να θυμάστε ότι ο φούρνος μικροκυμάτων θερμαίνει μόνο το υγρό σε ένα δοχείο και όχι το ίδιο το δοχείο. Επομένως, παρόλο που το καπάκι ενός δοχείου δεν είναι



- ζεστό κατά την αφή όταν αφαιρεθεί από το φούρνο, θυμηθείτε ότι το φαγητό/υγρό μέσα θα απελευθερώσει την ίδια ποσότητα ατμού ή/και θα πιτσιλίσει όταν αφαιρεθεί το καπάκι όπως στο συμβατικό μαγείρεμα.
12. Πάντα να ελέγχετε τη θερμοκρασία του μαγειρεμένου φαγητού μόνοι σας, ειδικά εάν ζεσταίνετε ή μαγειρεύετε φαγητό/υγρό για μωρά. Συνιστάται να μην καταναλώνετε ποτέ φαγητό/υγρό κατευθείαν από τον φούρνο, αλλά αφήστε το να σταθεί για λίγα λεπτά και ανακατέψτε το φαγητό/υγρό για να κατανεμηθεί ομοιόμορφα η θερμότητα.
  13. Τα τρόφιμα που περιέχουν μείγμα λίπους και νερού, π.χ. ζωμός, πρέπει να παραμένουν για 30–60 δευτερόλεπτα στον φούρνο αφού τον σβήσετε. Αυτό γίνεται για να επιτρέψει στο μείγμα να καθίσει και να αποφευχθεί η δημιουργία φυσαλίδων όταν τοποθετείται ένα κουτάλι στο φαγητό/υγρό ή όταν προστίθεται ένας κύβος ζωμού.
  14. Όταν ετοιμάζετε/μαγειρεύετε φαγητό/υγρό, να θυμάστε ότι υπάρχουν ορισμένα τρόφιμα, π.χ. χριστουγεννιάτικες πουτίγκες, μαρμελάδα και κιμάς, που ζεσταίνονται πολύ γρήγορα. Όταν ζεσταίνετε ή μαγειρεύετε τρόφιμα με υψηλή περιεκτικότητα σε λιπαρά ή ζάχαρη, μη χρησιμοποιείτε πλαστικά δοχεία.
  15. Το μαγειρικό σκεύος μπορεί να ζεσταθεί εξαιτίας της θερμότητας που μεταφέρεται από το θερμαινόμενο φαγητό. Αυτό ισχύει ιδιαίτερα εάν η πλαστική μεμβράνη έχει καλύψει το πάνω μέρος και τις λαβές του σκεύους. Μπορεί να χρειαστούν γάντια για το χειρισμό του σκεύους.
  16. Για να μειώσετε τον κίνδυνο πυρκαγιάς στην κοιλότητα του φούρνου:
    - a) Μη μαγειρεύετε το φαγητό περισσότερο από όσο πρέπει. Φροντίστε προσεκτικά τον φούρνο μικροκυμάτων εάν τοποθετήσετε χαρτί, πλαστικό ή άλλα εύφλεκτα υλικά μέσα στον φούρνο για να διευκολύνετε το μαγείρεμα.
    - b) Αφαιρέστε τα σύρματα από τις συσκευασίες πριν τις τοποθετήσετε στον φούρνο.
    - c) Αν αναφλεγούν υλικά στο εσωτερικό του φούρνου, κρατήστε την πόρτα του φούρνου κλειστή, αποσυνδέστε τον φούρνο από την παροχή ρεύματος ή κλείστε την τροφοδοσία από την ασφάλεια ή τον ηλεκτρολογικό πίνακα.

# ΛΕΙΤΟΥΡΓΙΑ ΤΟΥ ΠΙΝΑΚΑ ΕΛΕΓΧΟΥ



## ΟΘΟΝΗ

Εμφανίζει το ρολόι, τον χρόνο μαγειρέματος και τις ρυθμίσεις.

## ΞΕΠΑΓΩΜΑ (DEFROST)

Χρησιμοποιήστε αυτό το πλήκτρο για να ξεπαγάσετε το φαγητό με βάση τον χρόνο και το βάρος

## ΑΠΟΨΥΞΗ (MICROW.)

Χρησιμοποιήστε αυτό το πλήκτρο για να επιλέξετε το επίπεδο ισχύος του φούρνου μικροκυμάτων.

## ΡΟΛΟΪ (CLOCK)

Πιέστε παρατεταμένα αυτό το πλήκτρο για 3 δευτερόλεπτα, για να ρυθμίσετε το ρολόι.

## ΧΡΟΝΟΔΙΑΚΟΠΤΗΣ

Χρησιμοποιήστε αυτό το πλήκτρο για να ρυθμίσετε τη λειτουργία του χρονοδιακόπτη.

## ΕΙΚΟΝΙΔΙΑ

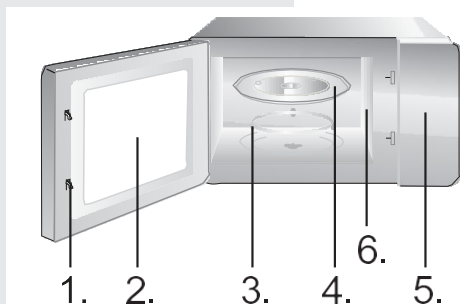
Χρησιμοποιήστε αυτά τα πλήκτρα για να ρυθμίσετε τον χρόνο μαγειρέματος και το βάρος των τροφίμων και να επιλέξετε τα προγράμματα αυτόματου μενού.

## STOP/CANCEL

Χρησιμοποιήστε αυτό το πλήκτρο για να διακόψετε ή να ακυρώσετε τη ρύθμιση. Πιέστε το παρατεταμένα για 3 δευτερόλεπτα, για να ενεργοποιήσετε το παιδικό κλειδί.

## START/+30 SEC

Χρησιμοποιήστε αυτό το πλήκτρο για να κάνετε γρήγορη έναρξη μαγειρέματος 30 δευτερολέπτων, να αυξήσετε τον χρόνο μαγειρέματος κατά 30 δευτερόλεπτα (με κάθε πάτημα) ή να επιβεβαιώσετε τις ρυθμίσεις μαγειρέματος.



1. Σύστημα κλειδώματος ασφαλείας πόρτας
2. Παράθυρο φούρνου
3. Δακτύλιος περιστροφής
4. Γυάλινος δίσκος
5. Πίνακας ελέγχου
6. Κυματοδηγός (μην αφαιρείτε την πλάκα μαρμαρυγίας που καλύπτει τον κυματοδηγό)

## ΛΕΙΤΟΥΡΓΙΑ ΜΙΚΡΟΚΥΜΑΤΩΝ

Υπάρχουν δέκα επίπεδα ισχύος μικροκυμάτων: 100P, 90P, 80P, 70P, 60P, 50P, 40P, 30P, 20P και 10P, αντίστοιχα. Γυρίστε τον παρακάτω διακόπτη για να αυξήσετε ή να μειώσετε τον χρόνο μαγειρέματος. Το εύρος του χρόνου μπορεί να επιλεγεί από 0:10 έως 60:00. Αφού επιλέξετε την ώρα, πιέστε το κουμπί «START/+30s» για να κάνετε έναρξη της λειτουργίας. Ένας ήχος βόμβου θα σας ειδοποιήσει για την ολοκλήρωση της λειτουργίας.

ΥΨΗΛΗ ΙΣΧΥΣ	Ισχύς 100% και 90%	(Κατάλληλη για γρήγορο και καλό μαγείρεμα)
Μέση – Υψηλή ισχύς	Ισχύς 80% και 70%	(Κατάλληλη για γρήγορο μαγείρεμα και μέτριο ψήσιμο)
Μέση ισχύς	Ισχύς 60% και 50%	(Κατάλληλη για μαγείρεμα στον ατμό)
Μέση – Χαμηλή ισχύς	Ισχύς 40% και 30%	(Κατάλληλη για το ξεπάγωμα τροφίμων)
ΧΑΜΗΛΗ ΙΣΧΥΣ	Ισχύς 20% και 10%	(Κατάλληλη για διατήρηση του ζεστού φαγητού)



### ΠΡΟΣΟΧΗ

- Ο μέγιστος χρόνος που μπορείτε να επιλέξετε είναι 60 λεπτά.
- Μη θέτετε ποτέ τον φούρνο σε λειτουργία όταν είναι άδειος.
- Στη μέγιστη ισχύ μικροκυμάτων, ο φούρνος θα μειώσει αυτόματα την ισχύ μετά από ένα ορισμένο χρονικό διάστημα μαγειρέματος για να επιμηκύνει τη διάρκεια ζωής του.
- Αν γυρίσετε το φαγητό κατά τη διάρκεια της λειτουργίας, πιέστε το κουμπί **START/+30s** μία φορά και η προκαθορισμένη διαδικασία μαγειρέματος θα συνεχιστεί.

e. Αν θέλετε να βγάλετε το φαγητό από τον φούρνο πριν παρέλθει ο καθορισμένος χρόνος, πιάστε μια φορά το κουμπί **STOP/CANCEL** για να ακυρώσετε την επιλεγμένη ρύθμιση και να αποφύγετε με αυτόν τον τρόπο ανεπιθύμητη λειτουργία σε επόμενη χρήση.

## ΑΠΟΨΥΞΗ/ΡΟΛΟΪ

Υπάρχουν δύο λειτουργίες ξεπαγώματος: dEF1 για ξεπάγωμα με βάση το βάρος και dEF2 για ξεπάγωμα με βάση τον χρόνο. Πιάστε αυτό το κουμπί για να επιλέξετε απόψυξη με βάση το βάρος ή με βάση τον χρόνο, και στην οθόνη θα εμφανιστεί η ένδειξη «dEF1» ή «dEF2».

Περιστρέψτε τον διακόπτη για να επιλέξετε το βάρος του τροφίμου ή τον χρόνο ξεπαγώματος. Το εύρος βάρους του dEF1 είναι από 100 έως 1500 γρ. και ο μέγιστος χρόνος του dEF2 είναι 60:00. Αφού επιλέξετε το βάρος ή τον χρόνο ξεπαγώματος, πιάστε το κουμπί «START/+30s» για να κάνετε έναρξη της λειτουργίας. Ένας ήχος βόμβου θα σας ειδοποιήσει για την ολοκλήρωση της λειτουργίας.

Κατά τη λειτουργία ξεπαγώματος dEF1 με βάση το βάρος, θα παραχθεί ένας χαρακτηριστικός ήχος «μπιπ» για να σας ειδοποιήσει να γυρίσετε το φαγητό κατά τη διάρκεια του ξεπαγώματος.

Παρακάτω θα βρείτε μερικές συμβουλές σχετικά με τον χρόνο ξεπαγώματος των τροφίμων:

dEF1	Για το ξεπάγωμα, το εύρος βάρους είναι από 100 γρ. έως 1500 γρ.
dEF2	Για το ξεπάγωμα, ο μέγιστος χρόνος είναι 60:00.



## ΠΡΟΣΟΧΗ

- a. Είναι απαραίτητο να γυρίσετε το φαγητό κατά τη διάρκεια του ξεπαγώματος για να πετύχετε ένα ομοιόμορφο αποτέλεσμα.
- b. Συνήθως το ξεπάγωμα χρειάζεται περισσότερο χρόνο από το μαγείρεμα του φαγητού.
- c. Αν το τρόφιμο μπορεί να κοπεί με μαχαίρι, θεωρείται ότι το ξεπάγωμα έχει ολοκληρωθεί.
- d. Τα μικροκύματα δεισιδύουν περίπου κατά 4 εκ. στα περισσότερα τρόφιμα.
- e. Αφού ξεπαγώσετε το φαγητό, θα πρέπει να καταναλωθεί άμεσα. Το φαγητό δεν πρέπει να τοποθετείται ξανά στο ψυγείο ή την κατάψυξη.

## ΡΟΛΟΪ (24ωρο ρολόι)

Σε κατάσταση αναμονής, πιέστε παρατεταμένα το κουμπί «DEFROST/CLOCK» για περισσότερο από 3 δευτερόλεπτα για να εισέλθετε στο περιβάλλον εργασίας της ρύθμισης ρολογιού. Ταυτόχρονα, στην οθόνη αναβοσβήνουν οι ώρες. Η ώρα μπορεί να ρυθμιστεί περιστρέφοντας τον διακόπτη. Αφού ρυθμίσετε την ώρα, πατήστε το κουμπί "START/+30s" για ένα σύντομο χρονικό διάστημα για να μεταβείτε στη λειτουργία ρύθμισης λεπτού.

Μπορείτε να ρυθμίσετε τα λεπτά περιστρέφοντας τον διακόπτη. Μετά τη ρύθμιση των λεπτών, πιέστε ξανά το κουμπί «START/+30s» για να κάνετε έξοδο από τη λειτουργία ρύθμισης.

## ΑΥΤΟΜΑΤΟ ΜΑΓΕΙΡΕΜΑ

Υπάρχουν οκτώ αυτόματα μενού Α.1~Α.8, για πατάτες, ζυμαρικά, πίτσα, ποπ κορν, λαχανικά, ποτά, κρέας και ψάρι, αντίστοιχα. Πιέστε επανειλημμένα το κουμπί «Menu» για να επιλέξετε το επιθυμητό μενού και, στη συνέχεια, περιστρέψτε τον διακόπτη για να επιλέξετε το βάρος του τροφίμου. Αφού επιλέξετε το βάρος του τροφίμου για μαγείρεμα, πιέστε το κουμπί «START/+30s» για να κάνετε έναρξη της λειτουργίας. Ένας ήχος βόμβου θα σας ειδοποιήσει για την ολοκλήρωση της λειτουργίας.

Ένδειξη	Είδος	Μέθοδος
<b>A.1</b>	<b>Πατάτα</b>	Τα βάρη που μπορούν να επιλεγούν είναι 250 γρ., 500 γρ. και 750 γρ.
<b>A.2</b>	<b>Ζυμαρικά</b>	Τα βάρη που μπορούν να επιλεγούν είναι 50 γρ., 100 γρ. και 150 γρ.
<b>A.3</b>	<b>Πίτσα</b>	Τα βάρη που μπορούν να επιλεγούν είναι 200 γρ. και 400 γρ.
<b>A.4</b>	<b>Ποπ κορν</b>	Το βάρος που μπορεί να επιλεγεί είναι 100 γρ.
<b>A.5</b>	<b>Λαχανικά</b>	Τα βάρη που μπορούν να επιλεγούν είναι 200 γρ., 400 γρ. και 600 γρ.
<b>A.6</b>	<b>Ποτά</b>	Τα βάρη που μπορούν να επιλεγούν είναι 1 φλιτζάνι, 2 φλιτζάνια ή 3 φλιτζάνια, το καθένα περίπου 250 ml.
<b>A.7</b>	<b>Κρέας</b>	Τα βάρη που μπορούν να επιλεγούν είναι 200 γρ., 400 γρ. και 600 γρ.
<b>A.8</b>	<b>Ψάρι</b>	Τα βάρη που μπορούν να επιλεγούν είναι 200 γρ., 400 γρ. και 600 γρ.



## ΠΡΟΣΟΧΗ

a. Η θερμοκρασία του φαγητού πριν το μαγείρεμα πρέπει να είναι 20-25°C. Υψηλότερη ή χαμηλότερη θερμοκρασία του φαγητού πριν το μαγείρεμα απαιτεί αντίστοιχα μείωση ή αύξηση του χρόνου μαγειρέματος.

b. Η θερμοκρασία, το βάρος και το σχήμα του φαγητού επηρεάζει το τελικό αποτέλεσμα του μαγειρέματος. Αν διαπιστώσετε κάποια απόκλιση σε σχέση με όσα περιγράφονται στο παραπάνω μενού, μπορείτε να ρυθμίσετε τον χρόνο μαγειρέματος για καλύτερα αποτελέσματα.

---

## ΧΡΟΝΟΔΙΑΚΟΠΤΗΣ

Σε κατάσταση αναμονής, πιέστε αυτό το κουμπί για να εισέλθετε στο περιβάλλον εργασίας της ρύθμισης και το εικονίδιο της λειτουργίας αντίστροφης μέτρησης και η ένδειξη «0:00» θα εμφανιστούν στην οθόνη. Γυρίστε τον διακόπτη για να ρυθμίσετε την ώρα. Ο μέγιστος χρόνος που μπορείτε να επιλέξετε είναι 60:00. Αφού ρυθμίσετε τον χρόνο, πιέστε το κουμπί «START/+30s», για να ξεκινήσει η αντίστροφη μέτρηση. Ένας ήχος βόμβου θα σας ειδοποιήσει για την ολοκλήρωση της αντίστροφης μέτρησης

---

**ΑΝΑΘΕΡΜΑΝΣΗ /  
ECO**

Η λειτουργία αναθέρμανσης χρησιμεύει κυρίως για να διευκολύνει τους χρήστες να ζεσταίνουν τα τρόφιμα ανάλογα με το βάρος τους. Γυρίστε τον διακόπτη για να επιλέξετε το κατάλληλο βάρος των τροφίμων. Τα βάρη που μπορείτε να επιλέξετε είναι 200 γρ., 400 γρ., 600 γρ., 800 γρ. και 1000 γρ. Αφού επιλέξετε το βάρος, πιέστε το κουμπί «START/+30s» για να κάνετε έναρξη της λειτουργίας. Ένας ήχος βόμβου θα σας ειδοποιήσει για την ολοκλήρωση της λειτουργίας.

---

**ECO**

Σε κατάσταση αναμονής, πιέστε παρατεταμένα το κουμπί Reheat για 3 δευτερόλεπτα για να ενεργοποιήσετε τη λειτουργία ECO και η οθόνη θα σβήσει. Για να απενεργοποιήσετε τη λειτουργία ECO, πιέστε οποιοδήποτε κουμπί.



---

## ΔΙΑΚΟΠΗ

Κατά τη διαδικασία των ρυθμίσεων μαγειρέματος, μπορείτε να πιέσετε το κουμπί «STOP» για να ακυρώσετε τη ρύθμιση και να επιστρέψετε στην κατάσταση αναμονής. Κατά τη λειτουργία του φούρνου μικροκυμάτων, μπορείτε να πιέσετε το κουμπί «STOP» για να κάνετε παύση της λειτουργίας. Στην κατάσταση αναμονής, μπορείτε να πιέσετε ξανά το κουμπί «STOP» για να ακυρώσετε τη λειτουργία και να επιστρέψετε στην κατάσταση αναμονής.

---

## START/+30s

Αφού επιλέξετε τον χρόνο μαγειρέματος ή το βάρος του φαγητού, πιέστε το κουμπί «START/+30s» για να ξεκινήσει αμέσως η λειτουργία του φούρνου μικροκυμάτων. Σε κατάσταση λειτουργίας, μπορείτε να πιέσετε το πλήκτρο «START/+30s» για να αυξήσετε τον χρόνο. Κάθε φορά που πιέζετε, ο χρόνος αυξάνεται κατά 30 δευτερόλεπτα. Ωστόσο, δεν μπορεί να γίνει ρύθμιση χρόνου στις λειτουργίες μενού και ξεπαγώματος με βάση το βάρος. Σε κατάσταση παύσης, μπορείτε να πιέσετε το κουμπί «START/+30s» για να συνεχίσει η λειτουργία του φούρνου μικροκυμάτων πριν από τη λειτουργία μαγειρέματος.

Σε κατάσταση αναμονής, αφού τοποθετήσετε το φαγητό και κλείσετε την πόρτα, πιάστε το κουμπί «START/+30s» για να ξεκινήσει να λειτουργεί γρήγορα ο φούρνος μικροκυμάτων. Ο προεπιλεγμένος χρόνος λειτουργίας είναι

30 δευτερόλεπτα. Κατά τη διάρκεια της λειτουργίας, πιάστε το κουμπί «START/+30s» μία φορά, για αύξηση του χρόνου κατά 30 δευτερόλεπτα. Ένας ήχος βόμβου θα σας ειδοποιήσει για την ολοκλήρωση της λειτουργίας.

---

**ΛΕΙΤΟΥΡΓΙΑ  
ΠΑΙΔΙΚΟΥ  
ΚΛΕΙΔΩΜΑΤΟΣ**

Χρησιμοποιήστε αυτήν τη λειτουργία για να κλειδώσετε τον πίνακα ελέγχου όταν καθαρίζετε ή έτσι ώστε τα παιδιά να μην μπορούν να χρησιμοποιήσουν τον φούρνο χωρίς επίβλεψη. Όλα τα κουμπιά καθίστανται μη λειτουργικά σε αυτήν τη λειτουργία.

- 1) Ενεργοποίηση κλειδώματος: Σε κατάσταση αναμονής, πιάστε το κουμπί «STOP» για πάνω από 3 δευτερόλεπτα. Η λειτουργία παιδικού κλειδώματος ενεργοποιείται και η λειτουργία όλων των κουμπιών του φούρνου μικροκυμάτων καθίσταται αδύνατη.
- 2) Ακύρωση κλειδώματος: Σε κατάσταση παιδικού κλειδώματος, πιάστε το κουμπί «STOP» για πάνω από 3 δευτερόλεπτα για να ακυρώσετε τη λειτουργία παιδικού κλειδώματος.

## ΟΔΗΓΙΕΣ ΓΙΑ ΜΑΓΕΙΡΙΚΑ ΣΚΕΥΗ

Συνιστάται ιδιαίτερα να χρησιμοποιείτε δοχεία που είναι κατάλληλα και ασφαλή για μαγείρεμα σε φούρνο μικροκυμάτων. Γενικά, τα δοχεία που είναι κατασκευασμένα από ανθεκτικό στη θερμότητα κεραμικό υλικό, γυαλί ή πλαστικό είναι κατάλληλα για μαγείρεμα σε φούρνο μικροκυμάτων. Μη χρησιμοποιείτε ποτέ μεταλλικά δοχεία για μαγείρεμα σε φούρνο μικροκυμάτων και συνδυαστικό μαγείρεμα, καθώς είναι πιθανό να δημιουργηθούν σπινθήρες. Μπορείτε να ανατρέξετε στον παρακάτω πίνακα.

Υλικό δοχείου	Μικροκύματα	Σημειώσεις
Πυρίμαχο κεραμικό	Ναι	Μη χρησιμοποιείτε ποτέ κεραμικά που διαθέτουν επίστρωση ή μεταλλικές λεπτομέρειες.
Πυρίμαχο πλαστικό	Ναι	Δεν μπορεί να χρησιμοποιηθεί για παρατεταμένο μαγείρεμα σε φούρνο μικροκυμάτων.
Πυρίμαχο γυαλί	Ναι	
Σχάρα ψησίματος	Όχι	
Πλαστική μεμβράνη	Ναι	Δεν πρέπει να χρησιμοποιείται όταν μαγειρεύετε κρέας ή μπριζόλες, καθώς η υπερθέρμανση μπορεί να προκαλέσει ζημιά στη μεμβράνη.

Οι ακόλουθοι παράγοντες ενδέχεται να επηρεάσουν το αποτέλεσμα του μαγειρέματος:

### **Διάταξη τροφίμων**

Τοποθετήστε τις παχύτερες περιοχές προς τα έξω από το πιάτο, το λεπτότερο μέρος προς το κέντρο και απλώστε το ομοιόμορφα. Μην επικαλύπτετε αν είναι δυνατόν.

### **Διάρκεια μαγειρέματος**

Ξεκινήστε το μαγείρεμα με μια σύντομη ρύθμιση χρόνου, αξιολογήστε το μετά το τέλος του χρονικού ορίου και επεκτείνετε το ανάλογα με την πραγματική ανάγκη. Το υπερβολικό μαγείρεμα μπορεί να προκαλέσει καπνό και εγκαύματα.

### **Ομοιόμορφο μαγείρεμα φαγητού**

Τρόφιμα όπως κοτόπουλο, χάμπουργκερ ή μπριζόλα θα πρέπει να τα γυρίζετε μία φορά κατά τη διάρκεια του μαγειρέματος.

Ανάλογα με τον τύπο του φαγητού, κατά περίπτωση, ανακατέψτε το από έξω προς το κέντρο του πιάτου μία ή δύο φορές κατά τη διάρκεια του μαγειρέματος

### **Να επιτρέπεται ο χρόνος αναμονής**

Αφού τελειώσει το μαγείρεμα, αφήστε το φαγητό στο φούρνο για επαρκές χρονικό διάστημα, γεγονός που του επιτρέπει να ολοκληρώσει τον κύκλο μαγειρέματος και να το ψύξει σταδιακά

### **Είναι έτοιμο το φαγητό ή όχι:**

Το χρώμα και η σκληρότητα του φαγητού καθορίζουν αν είναι έτοιμο, αυτά περιλαμβάνουν:

- Ο ατμός βγαίνει από όλα τα μέρη του φαγητού, όχι μόνο από την άκρη
- Οι αρθρώσεις των πουλερικών μπορούν να μετακινηθούν εύκολα
- Το χοιρινό ή τα πουλερικά δεν έχουν ίχνη αίματος
- Τα ψάρια είναι αδιαφανή και μπορούν να τεμαχιστούν εύκολα με ένα πιρούνι

### **Σκεύος ροδίσματος**

Όταν χρησιμοποιείτε ένα σκεύος ροδίσματος ή αυτοθερμαινόμενο δοχείο, τοποθετείτε πάντα ένα ανθεκτικό στη θερμότητα μονωτικό υλικό, όπως ένα πιάτο πορσελάνης, κάτω από αυτό για να αποφύγετε ζημιές στον περιστρεφόμενο δίσκο και τον περιστρεφόμενο δακτύλιο.

### **Πλαστική μεμβράνη για χρήση σε φούρνο**

#### **μικροκυμάτων**

Όταν μαγειρεύετε τρόφιμα με υψηλή περιεκτικότητα σε λιπαρά, μην αφήνετε την πλαστική μεμβράνη να έρχεται σε επαφή με τρόφιμα, καθώς μπορεί να λιώσει.

### **Πλαστικά σκεύη ασφαλή για φούρνο μικροκυμάτων**

Ορισμένα πλαστικά σκεύη ασφαλή για φούρνο μικροκυμάτων, ενδέχεται να μην είναι κατάλληλα για το μαγείρεμα τροφίμων με υψηλή περιεκτικότητα σε λιπαρά και ζάχαρη. Επίσης, δεν πρέπει να υπερβαίνεται ο χρόνος προθέρμανσης που αναφέρεται στο εγχειρίδιο οδηγιών του σκεύους.

## **ΣΥΝΤΗΡΗΣΗ**

### **ΣΗΜΕΙΩΣΗ**

Ελέγξτε τα ακόλουθα προτού καλέσετε ένα κέντρο επισκευών.

1. Τοποθετήστε ένα φλιτζάνι νερό (περίπου 150 ml) σε ένα γυάλινο δοσομετρητή μέσα στον φούρνο και κλείστε καλά την πόρτα. Η λυχνία του φούρνου θα πρέπει να σβήσει εάν η πόρτα έχει κλείσει σωστά. Αφήστε τον φούρνο να λειτουργήσει για 1 λεπτό.

2. Ανάβει η λυχνία του φούρνου;
3. Λειτουργεί ο ανεμιστήρας ψύξης;

(Τοποθετήστε το χέρι σας πάνω από τα πίσω ανοίγματα εξαερισμού.)

4. Περιστρέφεται ο περιστρεφόμενος δίσκος;

(Ο περιστρεφόμενος δίσκος μπορεί να περιστραφεί δεξιόστροφα ή αριστερόστροφα. Αυτό είναι φυσιολογικό.)

5. Είναι καυτό το νερό μέσα στον φούρνο;

Αν η απάντηση σε οποιαδήποτε από τις παραπάνω ερωτήσεις είναι «όχι»,

ελέγξτε την πρίζα σας και την ασφάλεια στον ηλεκτρολογικό σας πίνακα.

Αν η πρίζα και η ασφάλεια λειτουργούν σωστά,  
ΕΠΙΚΟΙΝΩΝΗΣΤΕ ΜΕ ΤΟ ΠΛΗΣΙΕΣΤΕΡΟ  
ΕΞΟΥΣΙΟΔΟΤΗΜΕΝΟ ΚΕΝΤΡΟ ΕΠΙΣΚΕΥΩΝ.

### **ΠΡΟΦΥΛΑΞΕΙΣ ΕΠΙΣΚΕΥΗΣ**

**Προσοχή:** ΑΚΤΙΝΟΒΟΛΙΑ ΜΙΚΡΟΚΥΜΑΤΩΝ

1. Ο πυκνωτής υψηλής τάσης παραμένει υπό φορτίο μετά την αποσύνδεση. Βραχυκυκλώστε τον αρνητικό ακροδέκτη του πυκνωτή υψηλής τάσης με το περίβλημα του φούρνου (με ένα κατσαβίδι), για να πραγματοποιήσει εκκένωση, πριν τον αγγίξετε.

2. Κατά τη διάρκεια της συντήρησης, τα παρακάτω αναφερόμενα μέρη ενδέχεται να αφαιρεθούν και να δώσουν πρόσβαση σε δυναμικά άνω των 250V προς τη γη.

- Μάγνητρο
- Μετασχηματιστής υψηλής τάσης
- Πυκνωτής υψηλής τάσης
- Δίοδος υψηλής τάσης
- Ασφάλεια υψηλής τάσης

3. Οι ακόλουθες συνθήκες μπορεί να προκαλέσουν αδικαιολόγητη έκθεση σε μικροκύματα κατά τη διάρκεια της συντήρησης.

- Ακατάλληλη τοποθέτηση του μάγνητρου.
- Ακατάλληλη συναρμολόγηση της ασφάλειας της πόρτας, του μεντεσέ της πόρτας και της πόρτας.
- Ακατάλληλη τοποθέτηση της βάσης διακοπών.
- Ζημιά στην πόρτα, στη στεγανοποίηση της πόρτας ή στο περίβλημα.

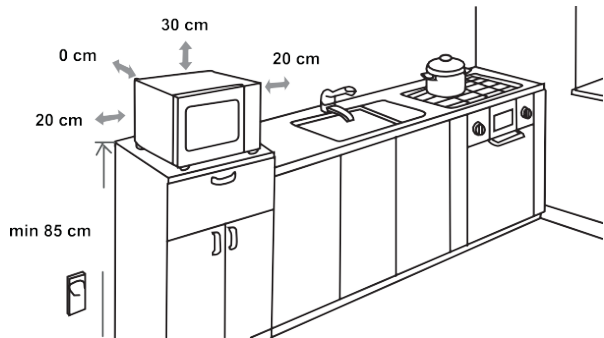
## ΠΡΟΔΙΑΓΡΑΦΕΣ

Κατανάλωση ενέργειας .....220-240V ~50Hz, 1280W  
 Ισχύς εξόδου ..... 800W  
 Συχνότητα λειτουργίας ..... 2450MHz  
 Εξωτερικές διαστάσεις ..... 456 x 264 x 353 χιλ.  
 Χωρητικότητα φούρνου ..... 23 λίτρα  
 Καθαρό βάρος ..... Περίπου 11.7 κ.  
 Επίπεδο θορύβου .....  $L_c \leq 61$  dB (A)



**Αυτή η συσκευή φέρει σήμανση σύμφωνα με την Ευρωπαϊκή Οδηγία 2012/19/ΕΕ για τα Απόβλητα Ηλεκτρικού και Ηλεκτρονικού Εξοπλισμού (ΑΗΗΕ). Αυτή η κατευθυντήρια γραμμή αποτελεί το πλαίσιο επιστροφής και ανακύκλωσης αποβλήτων ηλεκτρικού και ηλεκτρονικού**

## ΔΙΑΣΤΑΣΕΙΣ ΤΟΠΟΘΕΤΗΣΗΣ



Ο φούρνος μικροκυμάτων μπορεί να προκαλέσει παρεμβολές στο ραδιόφωνο, την τηλεόραση ή σε παρόμοιο εξοπλισμό. Όταν εμφανίζονται παρεμβολές, μπορεί να εξαλειφθούν ή να μειωθούν με τις ακόλουθες διαδικασίες.

- a) Καθαρίστε την πόρτα και την επιφάνεια σφράγισης του φούρνου.
- b) Τοποθετήστε το ραδιόφωνο, την τηλεόραση κ.λπ. όσο το δυνατόν πιο μακριά από τον φούρνο μικροκυμάτων σας.
- c) Χρησιμοποιήστε μια σωστά εγκατεστημένη κεραία για το ραδιόφωνο, την τηλεόρασή σας κ.λπ. για να έχετε ισχυρή λήψη σήματος.

ΔΙΑΤΗΡΟΥΜΕ ΤΟ ΔΙΚΑΙΩΜΑ ΝΑ ΚΑΝΟΥΜΕ  
ΟΠΟΙΕΣΔΗΠΟΤΕ ΑΛΛΑΓΕΣ ΠΟΥ ΔΕΝ ΕΠΗΡΕΑΖΟΥΝ  
ΤΗ ΛΕΙΤΟΥΡΓΙΚΟΤΗΤΑ ΤΗΣ ΣΥΣΚΕΥΗΣ.

**Hisense**



HEA KLIENT,

Täname teid siiralt ostu eest. Me usume, et leiate peagi piisavalt tõendeid selle kohta, et meie tooted on tõesti usaldusväärsed. Seadme kasutamise hõlbustamiseks lisame käesoleva põhjaliku kasutusjuhendi.

Juhised peaksid aitama teil uue seadmega tutvuda. Enne seadme esmakordset kasutamist lugege need hoolikalt läbi.

Igal juhul veenduge, et seade tarniti teile ilma kahjustusteta. Kui peaksite tuvastama transpordikahjustusi, pöörduge oma müügiesindaja või piirkondliku lao poole, kust toode tamiti. Telefoninumbri leiate kviitungilt või üleandmisaktilt.

Soovime teile palju rõõmu oma uue majapidamiseseadme üle.

Majapidamises kasutatav seade toiduainete ja jookide soojendamiseks elektromagnetilise energia abil, kasutamiseks ainult siseruumides.



KASUTUSJUHE

Käesolev juhend on mõeldud kasutajale. See kirjeldab ahju ja selle kasutamist. Juhend kehtib ka seadme erinevatele tüüpidele, seega võite leida mõningaid funktsioonide kirjeldusi, mis ei pruugi kehtida teie seadmele.

Jätame endale õiguse teha kasutusjuhendis mistahtes muudatusi.



Ärge kunagi puudutage kütte- või toiduvalmistamisseadmete pindu. Need muutuvad töötamise ajal kuumaks. Hoidke lapsi turvalises kauguses. Põletuse oht!



Mikrolaineenergia ja kõrgepinge!  
Ärge eemaldage katet.

**HOIATUS!** Seade ja selle ligipääsetavad osad kuumenevad kasutamise ajal. Vältige kütteelementide puudutamist. Alla 8-aastased lapsed tuleb hoida seadmest eemal, kui nad ei ole pideva järelevalve all. Lapsi tuleb jälgida, et nad ei mängiks seadmega.

Seadet võivad kasutada lapsed alates 8. eluaastast ning pärsitud füüsiliste, sensorsete või vaimsete võimete või kogemuste või teadmisteta isikud, kui neid on seadme ohutu kasutamise osas instrueeritud ja nende tegevust jälgitakse ning kui nad mõistavad tegevusega seotud ohtusid. Jälgige, et lapsed seadmega ei mängiks. Lastel ei ole lubatud teha puhastus- ja hooldustöid, välja arvatud juhul, kui nad on vanemad kui 8 aastat ja nad on järelevalve all.

Hoidke seadet ja selle juheta alla 8-aastaste laste eest kättesaamatus kohas.

- **HOIATUS:** Kui seadet kasutatakse kombineeritud režiimis, peavad lapsed tekkivate temperatuuride tõttu kasutama ahju ainult täiskasvanute järelevalve all (ainult grillfunktsiooniga mudelid).

- **HOIATUS:** Kui uks või ukse tihendid on kahjustatud, ei tohi ahju kasutada enne, kui selle on parandanud pädev isik.
- **HOIATUS:** Kõigil teistel peale pädevate isikute on ohtlik teha mistahes hooldus- või remonditöid, mis hõlmavad mikrolainetega kokkupuute eest kaitsva katte eemaldamist.
- **HOIATUS:** Vedelikke ja muid toiduaineid ei tohi kuumutada suletud anumates, kuna need võivad plahvatada.
- Lapsi tuleb jälgida, et nad ei mängiks seadmega.
- Ärge eemaldage ahju jalgu; ärge blokeerige ahju ventilatsiooniavasid.
- Kasutage ainult mikrolaineahjus kasutamiseks sobivaid toidunõusid.
- Toidu kuumutamisel plastik- või pabermahutites hoidke ahju süttimisvõimaluse tõttu silma peal.
- Kui märkate suitsu, lülitage seade välja või ühendage see vooluvõrgust lahti ning hoidke ust kinni, et leek summutada.
- Jookide kuumutamine mikrolainetega võib viia hilisema ootamatu keemiseni, mistõttu tuleb anumaga ettevaatlikult ümber käia.
- Põletuste vältimiseks tuleb lutipudelite ja imikutoidu purkide sisu segada või loksutada ning kontrollida temperatuuri enne tarvitamist.

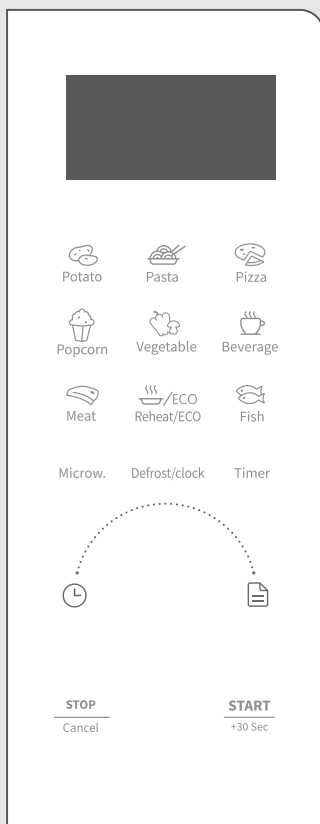
- Mikrolaineahjus ei tohi kuumutada koorega mune ega kõvaks keedetud mune, sest need võivad plahvatada, isegi pärast kuumutamist mikrolaineahjus.
- Ukse, uksetihendi või ahjuõõnsuse pindade puhastamisel kasutage ainult kergeid mitteabrasiivseid puhastusvahendeid või pesuaineid, mis on kantud käsnaie või pehmele lapile.
- Ahju tuleks regulaarselt puhastada ning eemaldada toidujäägid.
- Ahju mitte hoidmine puhtana võib põhjustada pinnakahjustusi, mis võib mõjutada seadme eluiga ja põhjustada ohtlikke olukordi.
- Kui toitejuhe on kahjustatud, peab tootja, teenindus või muu kvalifitseeritud isik selle ohtude, näiteks elektrilöögiohu vältimiseks, välja vahetama.
- Ärge laske juhtmel rippuda üle laua või tööpinna serva.
- Ärge kunagi ühendage seda seadet välise taimerlüliti või kaugjuhtimispuldiga, et vältida ohtlikku olukorda.
- Ärge kunagi vahetage ahju sees olevat pirni. Seda tohib teha ainult Hisense teenindus.
- Ärge puhastage seadet aurupuhastite, kõrgsurvepuhastite, teravate esemete, abrasiivsete puhastusvahendite ning abrasiivsete käsnade ja plekieemaldajatega.

Allpool on nagu kõigi seadmete puhul loetletud teatavad reeglid, mida järgida ning kaitsemeetmed, et tagada selle ahju tippjõudlus:

1. Ahju kasutamisel peavad klaasalus, rulliklabad, haake- ja rullikurada alati olema oma õigel kohal.
2. Ärge kasutage ahju muul otstarbel kui toidu valmistamine, näiteks riiete, paberi või muude toiduks mittekasutatavate esemete kuivatamiseks ega steriliseerimiseks.
3. Ärge kasutage ahju tühjana. See võib ahju kahjustada.
4. Ärge kasutage ahjuõhust mistahes tüüpi hoiuruumina, näiteks paberite, kokaraamatute jms jaoks.
5. Ärge valmistage membraaniga ümbritsetud toitu, nt munakollased, kartulid, kanamaks jms, membraani eelnevalt mitmes kohas kahvliga läbi torkamata.
6. Ärge sisestage välise korpuse avadesse ühtegi eset.
7. Ärge kunagi eemaldage ahjuosi, nt jalgu, ühendusi, kruvisid jne.
8. Ärge küpsetage toitu otse klaasalusel. Asetage toit enne ahju asetamist õigesse toiduvalmistamisnõusse/selle peale. **OLULINE** - KÕÕGINÕUD, MIDA MIKROLAINEAHJUS EI TOHI KASUTADA
  - Ärge kasutage metallpanne ega metallkäepidemetega nõusid.
  - Ärge kasutage midagi, millel on metallist viimistlust.
  - Ärge kasutage kilekottidel paberiga kaetud traadist sulgureid.
  - Ärge kasutage melamiinnõusid, kuna need sisaldavad materjali, mis neelab mikrolaineenergiat. See võib põhjustada nõude pragunemist või söestumist ja aeglustab toiduvalmistamisprotsessi.
  - Ärge kasutage Centura lauanõusid. Glasuur ei sobi kasutamiseks mikrolaineahjus. Corelle Livingware'i suletud käepidemega tassi ei ole lubatud kasutada.
  - Ärge valmistage toitu piiratud avaga mahutis, näiteks korgiga pudelis või suletud õlipudelis, kuna sellised anumad võivad mikrolaineahjus kuumutamisel plahvatada.
  - Ärge kasutage tavalisi liha- või kommitermomeetreid.
  - Toiduvalmistamiseks mikrolaineahjus on saadaval spetsiaalsed termomeetrid. Neid on lubatud kasutada.
9. Mikrolaineahju tarvikuid tuleb kasutada ainult vastavalt tootja juhistele.
10. Ärge püüdke selles ahjus toitu praadida.
11. Pidage meeles, et mikrolaineahi soojendab ainult mahutis olevat vedelikku, mitte mahutit ennast.

- Seega, ehkki mahuti kaas ei ole ahjust eemaldamisel kuum, pidage meeles, et sees olev toit/vedelik vabastab kaane eemaldamisel sama koguse auru ja/või pritsib nagu tavalisel toiduvalmistamisel.
12. Kontrollige alati keedetud toidu temperatuur ise üle, eriti kui soojendate või valmistate toitu/vedelikku imikutele. Soovitatav on mitte kunagi tarbida toitu/vedelikku otse ahjust, vaid lasta sellel paar minutit seista ja segada toitu/vedelikku, et soojus jaotuks ühtlaselt.
  13. Rasva ja vee segu sisaldav toit, nt puljong, peaks pärast väljalülitamist seisma ahjus 30-60 sekundit. Selle eesmärk on võimaldada segu settimist ja vältida mullitamist, kui toidu/vedeliku sisse pannakse lusikas või lisatakse puljongikuubik.
  14. Toidu/vedeliku valmistamisel/keetmisel pidage meeles, et on olemas teatud toidud, nt jõulupudingid, moos ja hakkliha, mis soojenevad väga kiiresti. Kõrge rasva- või suhkruisaldusega toiduainete kuumutamisel või valmistamisel ärge kasutage plastikust mahuteid.
  15. Toiduvalmistamisnõud võivad kuumutatud toidust üle kantud soojuse tõttu kuumaks muutuda. See kehtib eriti siis, kui tarviku ülaosa ja käepidemeid on katnud kile. Tarvikute käsitlemiseks võib vaja minna pajalappe.
  16. Ahjuõõne tuleohtu vähendamiseks:
    - a) Ärge küpsetage toitu üle. Jälgige hoolikalt mikrolaineahju, kui asetate sinna toiduvalmistamise hõlbustamiseks paberit, plastikut või muid süttivaid materjale.
    - b) Eemaldage kottidelt traatkinnitused enne kottide ahju panemist.
    - c) Kui ahju sees olevad materjalid peaksid süttima, hoidke ahju ust suletuna, lülitage ahi pistikust välja või lülitage toide kaitsme või kaitselüliti paneeli juurest välja.

# JUHTPANEELI KASUTAMINE



## EKRAAN

Kuvab kella, toiduvalmistamisaega ja seadistust.

## SULATAMINE

Kasutage seda klahvi toidu sulatamiseks aja ja kaalu järgi.

## MICROW.

Kasutage seda klahvi mikrolaineahju võimsustaseme valimiseks.

## KELL

Kella seadistamiseks hoidke seda klahvi all 3 sekundit.

## TAIMER

Kasutage seda klahvi taimerifunktsiooni seadistamiseks.

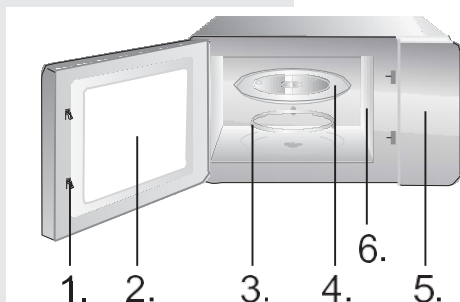
## IKOONID

Kasutage neid klahve aja ja toidu kaalu määramiseks ning automaatsete menüüprogrammide valimiseks.

## STOP/CANCEL (PEATA/TÜHISTA)

Kasutage seda klahvi seadistuse peatamiseks või tühistamiseks. Lapseluku jaoks hoidke 3 sekundit all klahvi. START/+30 SEC

Kasutage seda klahvi kiire toiduvalmistamise käivitamiseks 30 sekundiks, toiduvalmistamisaja suurendamiseks 30 sekundi võrra (iga vajutusega) või toiduvalmistamiseseadistuste kinnitamiseks.



1. Ukse turvaluku süsteem
2. Ahju aken
3. Rullikurõngas
4. Klaasalus
5. Juhtpaneel
6. Lainejuhi (palun ärge eemaldage lainejuhikut katvat vilgukiviplaati)

Mikrolainevõimsuse tasemeid on kümme, vastavalt 100P, 90P, 80P, 70P, 60P, 50P, 40P, 30P, 20P ja 10P. Keerake allolevat nuppu toiduvalmistamisaja pikendamiseks või vähendamiseks, ajavahemikku saab valida vahemikus 0:10 kuni 60:00. Pärast kellaaja valimist vajutage töö alustamiseks nuppu "START/+30s". Sumisev heli teavitab toimingu lõppemisest.

KÕRGE	100% ja 90% väljundvõimsus	(kiireks ja põhjalikuks toiduvalmistamiseks)
Keskmiselt kõrge	80% ja 70% väljundvõimsus	(keskmiselt kiireks toiduvalmistamiseks)
Keskmine	60% ja 50% väljundvõimsus	(toidu aurutamiseks)
Keskmiselt madal	40% ja 30% väljundvõimsus	(toidu sulatamiseks)
MADAL	20% ja 10% väljundvõimsus	(soojas hoidmiseks)

 **HOIATUS**

- a. Maksimaalne seadistatav aeg on 60 minutit.
- b. Ärge kunagi kasutage ahju tühjalt.
- c. Maksimaalse mikrolainevõimsuse korral vähendab ahi pärast teatud toiduvalmistamisaega automaatselt võimsust, et pikendada kasutusiga.
- d. Kui pöörate toitu töötamise ajal, vajutage üks kord **START/+30s** nuppu ja eelseadistatud toiduvalmistamisprotsess jätkub.



## SULATUS/KELL

## SULATAMINE

e. Kui kavatsete toidu välja võtta enne eelseadistatud aega, peate eelseadistatud protseduuri tühistamiseks vajutama üks kord nuppu **STOP/CANCEL**, et vältida soovimatut kasutamist järgmisel kasutamisel.

Sulatusrežiime on kaks, vastavalt dEF1 ja dEF2. dEF1 on sulatamiseks kaalu järgi ja dEF2 sulatamiseks aja järgi. Vajutage seda nuppu, et valida sulatamine kaalu või aja järgi ja ekraanil kuvatakse "dEF1" või "dEF2". Toidu kaalu või sulatusaja valimiseks keerake nuppu. dEF1 kaaluvahemik on 100–1500 g ja dEF2 maksimaalne aeg on 60:00. Pärast sulatuskaalu või -aja valimist vajutage nuppu "START/+30s" ja alustage tööd. Sumisev heli teavitab toimingu lõppemisest. Kaalu järgi sulatamise režiimil dEF1 kostub piiks, mis annab märku, et toit on sulatamise ajal vaja ümber keerata.

Allpool on mõned nõuanded toidu sulatamisaja kohta:

dEF1	Sulatamiseks on kaal vahemikus 100 kuni 1500 g.
dEF2	Sulatamise maksimaalne aeg on 60:00.

## HOIATUS

- a. Töötamise ajal tuleb toit ümber pöörata, et saavutada ühtlane mõju.
- b. Tavaliselt võtab sulatamine kauem aega kui toidu valmistamine.
- c. Kui toitu saab noaga lõigata, võib sulatusprotsessi lageda lõppenuks.
- d. Mikrolained tungivad enamiku toiduainete sisse umbes 4 cm sügavusele.
- e. Sulatatud toit tuleks ära tarbida nii kiiresti kui võimalik, seda ei soovitata tagasi külmkappi panna ja uuesti külmutada.

---

### KELL (24-tunnine kell)

Kella seadistamise liidesesse sisenemiseks vajutage ooterežiimis nuppu “SULATAMINE/KELL” (“DEFROST/CLOCK”) ja hoidke seda all kauem kui 3 sekundit. Samal ajal vilgub ekraan tundide kaupa. Tundide aega saab seadistada nuppu keerates. Pärast tundide seadistamist vajutage lühikest aega nuppu “START/+30s”, et lülituda minutirežiimile. Minuteid saab seadistada nuppu keerates. Pärast minutite seadistamist vajutage seadistusrežiimist väljumiseks uuesti nuppu „START/+30s“.

## AUTOMAATNE TOIDUVALMISTAMINE

Valikus on kaheksa automaatmenüüd A.1~A.8, vastavalt kartul, pasta, pitsa, popkorn, köögivili, jook, liha ja kala. Vajutage soovitud menüü valimiseks pidevalt nuppu "Menüü", seejärel keerake nuppu, et valida menüü kaal. Pärast toiduvalmistamisaja valimist vajutage töö alustamiseks nuppu "START/+30sek". Sumisev heli teavitab toimingu lõppemisest.

Ekraan	Tüüp	Meetod
A.1	Kartul	Kaaluvalikud on 250 g, 500 g ja 750 g
A.2	Pasta	Kaaluvalikud on 50 g, 100 g ja 150 g
A.3	Pitsa	Kaaluvalikud on 200 g ja 400 g
A.4	Popkorn	Kaaluvalik on 100 g
A.5	Köögivili	Kaaluvalikud on 200 g, 400 g ja 600 g
A.6	Jook	Kaaluvalikud on 1 tass, 2 tassi või 3 tassi, igaüks umbes 250 ml.
A.7	Liha	Kaaluvalikud on 200 g, 400 g ja 600 g
A.8	Kala	Kaaluvalikud on 200 g, 400 g ja 600 g

## HOIATUS

a. Toidu temperatuur enne valmistamist peaks olema 20-25°C. Toidu kõrgem või madalam temperatuur enne toiduvalmistamist nõuaks toiduvalmistamisaja pikendamist või lühendamist.

b. Toidu temperatuur, kaal ja kuju mõjutavad suuresti toiduvalmistamise efekti. Kui esineb kõrvalekaldeid ülaltoodud menüüs märgitud teguritest, reguleerida parima tulemuse saavutamiseks toiduvalmistamisaega.

---

### TAIMER

Vajutage ooterežiimis seda nuppu, et siseneda seadistusliidesesse ja ekraanil kuvatakse loendurfunktsiooni ikoon ja "0:00". Keerake kellaaja seadistamiseks nuppu, maksimaalne sisestatav aeg on 60:00. Pärast kellaaja seadistamist vajutage loenduse alustamiseks nuppu "START/+30s". Sumisev heli teavitab loendustoimingu lõppemisest.

---

## SOOJENDAMINE/ÖKO

### SOOJENDAMINE

Soojendusfunktsioon on peamiselt selleks, et hõlbustada kasutajatel toidu soojendamist vastavalt toidu kaalule, sobiva toidu kaalu valimiseks keerake nuppu, valikulised kaalud on 200 g, 400 g, 600 g, 800 g ja 1000 g. Pärast kellaaja valimist vajutage töö alustamiseks nuppu „START/+30s“. Sumisev heli teavitab toimingu lõppemisest.

---

## ÖKO (ECO)

Ooterežiimis vajutage ja hoidke ÖKO sisselülitamiseks 3 sekundit all Soojendus nuppu ja ekraan lülitub välja. ÖKO sisselülitamisel vajutage ÖKO funktsiooni väljalülitamiseks mis tahes nuppu.

---

**STOPP  
(STOP)**

Toiduvalmistamise seadistuste tegemisel saate seadistuste tühistamiseks ja ooterežiimi naasmiseks vajutada nuppu „STOPP“ (STOP). Mikrolaineahju tööprotsessis võib pausi tegemiseks vajutada nuppu „STOPP“ (STOP). Funktsiooni tühistamiseks ja ooterežiimi olekusse naasmiseks saab ooterežiimis uuesti vajutada nuppu „STOPP“ (STOP).

---

**START/+30s**

Pärast toiduvalmistamisaja või toidu kaalu seadistamist vajutage mikrolaineahju koheseks käivitamiseks nuppu „START/+30s“. Tööolekus saab aja pikendamiseks vajutada nuppu „START/+30s“, pikendamiseks 30 sekundi võrra vajutage üks kord, kuid menüürežiimis ja kaalu järgi sulatamise režiimis ei saa aega reguleerida. Pausi olekus võib mikrolaineahju töö jätkamiseks enne toiduvalmistamisrežiimi vajutada nuppu „START/+30s“.

---

**EKSPRESS (EXPRESS)**

Ooterežiimis, pärast toidu sisse panemist ja ukse sulgemist, vajutage mikrolaineahju kiireks käivitamiseks nuppu "START/+30s". Vaikimisi on tööaeg 30 sekundit. Töötamise ajal vajutage nuppu "START/+30s" üks kord 30 sekundiks. Sumisev heli teavitab toimingu lõppemisest.

---

**LAPSELUKU  
FUNKTSIOON**

Kasutage seda funktsiooni juhtpaneeli lukustamiseks puhastamise ajal või selleks, et lapsed ei saaks ahju järelevalveta kasutada. Selles režiimis lukustatakse kõik nupud.

- 1) Luku seadistamine: Ooterežiimis vajutage nuppu „STOP“ (STOPP) rohkem kui 3 sekundit, lapselukufunktsioon on lukus ja ühtegi mikrolaineahju nuppu ei saa kasutada.
- 2) Lukustamise tühistamine: Lapseluku olekus vajutage lapseluku funktsiooni tühistamiseks nuppu „STOP“ (STOPP) kauem kui 3 sekundit.

## TARVIKUTE JUHEND

Soovitav on kasutada mikrolaineahjus toiduvalmistamiseks sobivaid ja ohutuid anumaid. Üldiselt sobivad mikrolaineahjus toiduvalmistamiseks kuumakindlast keraamikast, klaasist või plastikust anumad. Ärge kunagi kasutage metallanumaid mikrolaineahjus ja kombineeritud toiduvalmistamiseks, kuna võib tekkida säde. Võite kasutada allolevat tabelit.

Anuma materjal	Mikrolaineahi	Märkmed
Kuumuskindel keraamika	Jah	Ärge kunagi kasutage keraamikat, mis on kaunistatud metalläärega või glasuuritud
Kuumuskindel plastik	Jah	Ei saa kasutada pikaajaliseks toiduvalmistamiseks mikrolaineahjus
Kuumuskindel klaas	Jah	
Grillrest	Ei	
Plastkile	Jah	Seda ei tohi kasutada liha või karbonaadi küpsetamisel, kuna ülekuumenemine võib kilet kahjustada



Toiduvalmistamistulemust võivad mõjutada järgmised tegurid:

### **Toidu paigutamine**

Asetage paksemad kohad nõude välisküljele, õhem osa keskele ja ajage see ühtlaselt laiali. Ärge pange toidu kihiti, kui võimalik.

### **Toiduvalmistamisaja pikkus**

Alustage küpsetamist lühikese ajaseadistusega, hinnake seda pärast selle möödumist ja pikendage vastavalt tegelikule vajadusele. Üleküpsetamine võib põhjustada suitsu ja põletusi.

### **Toidu ühtlane küpsetamine**

Toite nagu kana, hamburger või steik tuleks küpsetamise ajal üks kord ümber pöörata. Sõltuvalt toidu tüübist segage toitu valmistamise ajal üks või kaks korda toidu välimisest osast sissepoole.

### **Jätke mõneks ajaks seisma**

Pärast toiduvalmistamisaja lõppemist jätke toit piisavalt kauaks ahju, et see valmimistsükkel saaks jõuda lõpuni ja toit saaks järk-järgult maha jahtuda.

### **Kas toit on valmis**

Toidu värvus ja kõvadus aitavad kindlaks teha, kas see on valmis, sealhulgas:

- Toit aurab kõikjalt, mitte ainult servast
- Linnuliha konte saab kergesti liigutada
- Sea- või linnulihal ei ole jälgi verest
- Kala on läbipaistmatu ja seda saab kahvliga hõlpsalt tükkideks teha

## **Pruunistamisnõu**

Pruunistamisnõu või isekuumenemisanuma kasutamisel asetage selle alla alati kuumakindel isolaator, näiteks portselanplaat, et vältida pöördaluse ja pöörleva rõnga kahjustamist.

## **Mikrolaineahjus ohutu kilemähis**

Suure rasvasisaldusega toidu valmistamisel ärge laske kilepakendil toiduga kokku puutuda, kuna see võib sulada.

## **Mikrolaineahjus ohutud plastikust kööginõud**

Mõned mikrolaineahjus kasutatavad plastnõud ei pruugi sobida kõrge rasva- ja suhkrusisaldusega toitude valmistamiseks. Samuti ei tohi ületada nõude kasutusjuhendis märgitud eelsoojendusaega.

# HOOLDUS

## **TEENINDUS**

Enne teenindusse helistamist kontrollige järgmist.

1. Asetage ahju klaasist mõõdikus üks tass vett (umbes 150 ml) ja sulgege uks korralikult. Kui uks on korralikult suletud, peaks ahju lamp kustuma. Laske ahjul töötada 1 min.
2. Kas ahjulamp põleb?
3. Kas jahutusventilaator töötab?  
(Pange oma käsi tagumiste ventilatsioonivõrkude kohale.)
4. Kas pöördalus pöörleb?

(Pöördalus võib pöörelda päripäeva või vastupäeva. See on täiesti normaalne.)

#### 5. Kas vesi ahjus on kuum?

Kui vastus mõnele ülaltoodud küsimusele on "EI", kontrollige palun oma seinakontakti ja kaitsmekarbis olevat kaitset.

Kui nii seinakontakt kui ka kaitse töötavad korralikult, VÕTKE ÜHENDUST LÄHIMA TUNNUSTATUD HOOLDUSKESKUSEGA.

### **HOOLDUSE KAITSEMEETMED**

#### **Ettevaatust: MIKROLAINEKIIRGUS**

1. Kõrgepinge kondensaator jääb pärast lahtiühendamist laetuks; lülitage kõrgepingekondensaatori negatiivne klemm ahju raami külge (kasutage kruvikeerajat), et see enne puudutamist maha laadida.
2. Hooldustööde käigus võidakse eemaldada allpool loetletud osad ja need annavad juurdepääsu potentsiaalidele, mis on maandatud üle 250 V.
  - Magnetron
  - Kõrgepingetrafo
  - Kõrgepingekondensaator
  - Kõrgepingediod
  - Kõrgepingekaitse
3. Järgmised tingimused võivad hoolduse ajal põhjustada liigset kokkupuudet mikrolainetega.

- Magnetroni vale paigaldus;
- Ukse lukustuse, uksehinge ja ukse ebaõige paigutus;
- Lülititoe ebaõige paigutus;
- Uks, ukse tihend või korpus on kahjustatud.

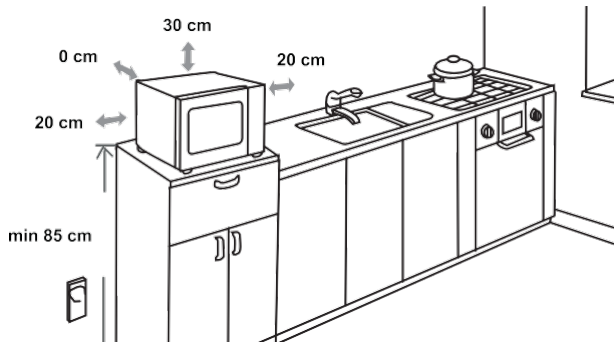
## TEHNILISED ANDMED

Energiatarve.....	220-240 V ~50 Hz, 1280 W
Väljundvõimsus.....	800 W
Töösagedus.....	2450 MHz
Välismõõtmed.....	480 x 295 x 352 mm
Ahju maht.....	23 liitrit
Täitmata kaal.....	Umbes 11.7 kg
Müratase.....	Lc ≤ 61 dB (A)



**See seade on märgistatud vastavalt Euroopa Liidu direktiivile 2012/19/EL elektri- ja elektroonikaseadmete jäätmete kohta (WEEE). See juhtdokument on üleeuroopalise elektri- ja elektroonikaseadmete jäätmete tagastamise ja ringlussevõtu kehtivuse raamistik.**

## PAIGALDUS- MÕÖTMED



## RAADIOHÄIRED

Mikrolaineahi võib häirida teie raadiot, telerit või muud sarnast seadet. Häirete ilmnemisel saab need kõrvaldada või neid vähendada järgmiste protseduuride abil.

- a) Puhastage ahju uks ja tihenduspiind.
- b) Asetage raadio, teler jms mikrolaineahjust võimalikult kaugemale.
- c) Tugeva signaali vastuvõtmiseks kasutage oma raadio, teleri jms jaoks korralikult paigaldatud antenni.

JÄTAME ENDALE ÕIGUSE TEHA MUUDATUSI, MIS EI MÕJUTA SEADME FUNKTSIOONE.

# Hisense

MIELAS KLIENTE!

Nuoširdžiai dėkojame už jūsų galimą bendradarbiavimą. Tikime, kad netrukus rasite pakankamai įrodymų, jog tikrai galite pasikliauti mūsų gaminiais. Kad prietaisu būtų lengviau naudotis, pridedame šią išsamią naudojimo instrukciją.

Instrukcijos padės jums susipažinti su naujuoju prietaisu. Prieš naudodami prietaisą pirmą kartą, atidžiai jas perskaitykite.

Bet koku atveju įsitikinkite, kad prietaisas jums buvo pristatytas nepažeistas. Jei pastebėjote ir transportavimo metu įvyko pažeidimų, kreipkitės į savo prekybos atstovą arba regioninį sandėlį, iš kurio buvo pristatytas gaminys. Telefono numerį rasite kvite arba pristatymo ataskaitoje.

Linkime, kad naujuoju buitiniu prietaisu džiaugtumėtės kuo ilgiau.



Buityje naudojamas prietaisas maisto ir gėrimų šildymui, naudojant elektromagnetinę energiją, skirtas naudoti tik patalpose.

NAUDOJIMO  
INSTRUKCIJOS

Šios naudojimo instrukcijos skirtos vartotojui. Joje aprašoma viryklė ir jos naudojimas. Ji taip pat taikoma įvairiems prietaisams, todėl galite rasti kai kurių funkcijų, kurių gali nebūti jūsų prietaise, aprašymus.

Mes pasilikame teisę daryti naudojimo instrukcijos ir klaidų aprašymų pakeitimus.



Niekada nelieskite šildymo ir virimo prietaisų paviršių. Veikimo metu jie gali būti labai karšti. Laikykite vaikus atokiai. Nudegimų pavojus!



Mikrobangų energija ir aukšta įtampa! Nenuimkite dangčio.

**DĖMESIO!** Veikiant prietaisui, pats prietaisas ir gretimos dalys labai įkaista. Stenkitės neliesti kaitinimo elementų. Jaunesni kaip 8 metų amžiaus vaikai turi būti toliau nuo prietaiso, nebent jie yra nuolat prižiūrimi. Vaikus reikia prižiūrėti, kad jie nežaistų su buitiniu prietaisu.

Ne jaunesni kaip 8 metų vaikai, ribotų fizinių, jutimo arba protinių gebėjimų asmenys ir turintieji per mažai patirties ir žinių gali naudoti prietaisą tik prižiūrimi kito asmens arba išmokyti saugaus darbo su prietaisu ir suprantantys jo keliamus pavojus. Vaikams negalima žaisti su prietaisu. Jaunesniems kaip 8 metų vaikams be priežiūros draudžiama valyti ir imtis priežiūros darbų.

Laikykite laisvų rankų įrangą ir jos priedus mažiems, jaunesniems kaip 8 metų vaikams nepasiekiamoje vietoje.

- **ĮSPĖJIMAS:** Kai prietaisas veikia kombinuotu režimu, vaikai turėtų krosnelę naudoti tik prižiūrint suaugusiesiems, nes generuojama aukšta temperatūra. (Tik modeliams sus grilio funkcija.)

- **ĮSPĖJIMAS:** Jei pažeistos durelės arba jų sandarikliai, krosnelės negalima naudoti, kol jos nesuremontuos kompetentingas asmuo.
- **ĮSPĖJIMAS:** Bet kam, išskyrus apmokytus asmenis, pavojinga atlikti bet kokias priežiūros ar remonto operacijas, kurių metu reikia nuimti dangčius, apsaugančius nuo mikrobangų energijos poveikio.
- **ĮSPĖJIMAS:** Skysčiai ar kiti maisto produktai neturi būti šildomi sandariuose induose, nes jie gali sprogti.
- Vaikus reikia prižiūrėti, kad jie nežaistų su buitiniu prietaisu.
- Nenuimkite krosnelės kojelių, neužblokuokite oro įėjimo angų.
- Naudokite tik indus, kurie tinka naudoti mikrobangų krosnelėse.
- Kai maistas šildomas plastiko ar popieriaus inde, tikrinkite, ar krosnelėje nekilo gaisras.
- Pastebėję dūmų, išjunkite arba atjunkite prietaisą nuo elektros tinklo ir laikykite dureles uždarytas, kad nesusidarytų liepsnos.
- Gėrimą šildant mikrobangomis jis gali lėtai užvirti ir išbėgti, todėl su indu reikia elgtis atsargia.
- Prieš patiekiant maitinimo buteliukų ir kūdikių indelių turinį reikia suplakti ar išmaišyti, o temperatūrą patikrinti, kad būtų išvengta nudegimų.



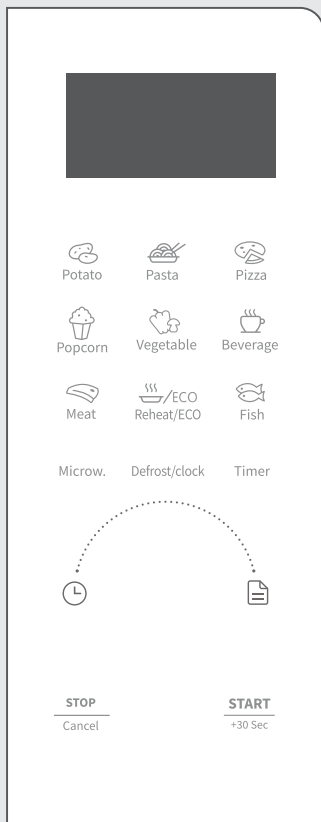
- Kiaušinių su lukštais ir sveikų kietai virtų kiaušinių nepatariama šildyti mikrobangų krosnelėje, nes jie gali sprogti net kai mikrobanginis kaitinimas jau yra pasibaigęs.
- Valant durelių, durelių sandariklių, orkaitės ertmės paviršius, naudokite tik silpnus, neabrazyvinius valiklius, valykite kempine arba minkštu skudurėliu.
- Krosnelę reikia reguliariai valyti ir šalinti visas maisto apnašas.
- Nevalant krosnelės paviršius gali koroduoti, nešvara gali turėti neigiamos įtakos prietaiso tarnavimo laikui ir sukelti kitus pavojus.
- Jei maitinimo laidas pažeistas, jį turi pakeisti gamintojas, jo aptarnavimo atstovas arba panašios kvalifikacijos asmenys, kad būtų išvengta pavojaus.
- Nenukabinkite laido per stalo ar darbatalio kraštą.
- Niekada nejunkite šio prietaiso prie išorinio laikmačio jungiklio arba nuotolinio valdymo sistemos, kad būtų išvengta pavojingos situacijos.
- Niekada nekeiskite lemputės orkaitės viduje. Tai visada turi atlikti „Hisense“ tarnyba.
- Nevalykite prietaiso garo valytuvais, aukšto slėgio siurbliais, aštriais daiktais, abrazyviniais valikliais ir abrazyvinėmis kempinėmis bei dėmių valikliais.

Žemiau pateiktos visų prietaisų taisyklės ir garantijos, siekiant užtikrinti geriausias šios orkaitės eksploatacines savybes:

1. Naudojant orkaitę stiklinį dėklą, ritinėlius, sukabinimo ąseles ir ritinėlių griovelį visada laikykite įdėję jų vietose.
2. Nenaudokite orkaitės jokiems kitiems tikslams, išskyrus maisto ruošimą, pavyzdžiui, nenaudokite orkaitės džiovinti drabužiams, popieriui ar kitiems ne maisto daiktams arba sterilizavimui.
3. Prietaiso nenaudokite tuščio. Tai gali pakenkti krosnelei.
4. Nenaudokite orkaitės laikyti daiktams, pvz., popieriui, indams, ir t.t.
5. Nešildykite maisto, suvynioto į plėvelę, pavyzdžiui, kiaušinių trynių, bulvių, vištienos kepenių, ir t.t., jos prieš tai keletą kartų nepradūrę šakute.
6. Į angas ir išorinį korpusą nekiškite jokių daiktų.
7. Negalima nuimti jokių orkaitės dalių, pavyzdžiui, kojelių, movos, varžtų ir t.t.
8. Negalima kepti maisto tiesiai ant stiklinio padėklo. Prieš dėdami maistą į orkaitę, įdėkite maistą į tinkamus kepimo indus. **SVARBU** – INDAI, KURIŲ NEGALIMA NAUDOTI MIKROBANGŲ KROSNELĖJE
  - Nenaudokite metalinių skardų ar indų su metalinėmis rankenomis.
  - Nenaudokite indų su metaliniais apvadais.
  - Nenaudokite popieriumi vilktų vielos aprišimų ant plastikinių maišelių.
  - Nenaudokite indų iš melamino, nes jų sudėtyje yra medžiaga, kuri sugers mikrobangų energiją. Tokie indai mikrobangėje gali įtrūkti ar apdegti, ir sulės maisto gaminimo greitis.
  - Nenaudokite „Centura Tableware“ indų. Nenaudokite glazūruotų indų. Negalima naudoti „Corelle Livingware“ puodelių uždara rankena.
  - Negaminkite maisto induose su siauru atidarymu, pavyzdžiui, buteliuose ar uždaruose buteliukuose, nes kaitinant mikrobangų krosnelėje jie gali sprogti.
  - Nenaudokite įprastinių mėsos ar konditerinių termometrų.
  - Yra termometrų, skirtų mikrobangų maisto ruošimui. Jie gali būti naudojami.
9. Mikrobangų krosnelei skirti indai turi būti naudojami tik pagal gamintojo nurodymus.
10. Negaminkite aliejuje verdamo maisto mikrobangų krosnelėje.
11. Atminkite, kad mikrobangų krosnelė šildo tik skystį, o ne patį indą.

- Todėl jei indo dangtelis palietus nėra karštas, išėmus jį iš orkaitės, atminkite, kad maistas/skysčiai inde nukėlus dangtį gali garuoti ar taškytis, kaip ir kepančiam įprastiniu būdu.
12. Visada tikrinkite gaminamo maisto temperatūrą, ypač jei šildote ar gaminatė maistą/skysčius kūdikiams. Patartina niekada nevirtoti maisto/skysčių tiesiai iš orkaitės, bet leisti pastovėti keletą minučių ir pamaišyti, kad šiluma vienodai pasiskirstytų.
  13. Maistas, kuriame yra riebalų ir vandens, pvz., riebus užpilai, turėtų pastovėti 30-60 sekundžių juos išėmus iš orkaitės. Taip mišinys nusistovi ir nebeburbuliuoja, įdėjus šaukštą arba sultinio kubelius į maistą/skysčius.
  14. Gaminant / maistą/skysčius reikia prisiminti, kad yra tam tikrų maisto produktų, pavyzdžiui, Kalėdų pudingai, džemas ir faršas, kurie įkaista labai greitai. Šildydami maisto produktus su dideliu riebalų ar cukraus, nenaudokite plastmasinių indų.
  15. Valgių gaminimo indai gali įkaisti dėl šilumos iš pašildyto maisto. Tai ypač aktualu, jei ant indų viršaus ir rankenų uždėta polietilėninė plėvelė. Todėl juos reikia statyti ant dėklų, skirtų karšties puodams.
  16. Norėdami sumažinti gaisro pavojų krosnelėje:
    - a) Nekepkite maisto per ilgai. Atidžiai stebėkite mikrobangų krosnelę, jei joje įdėjote popieriaus, plastiko ar kitos degios medžiagos, siekiant palengvinti maisto ruošimą.
    - b) Prieš dedant į krosnelę nuo maišėlių nuimkite vielinius surišimus.
    - c) Jei medžiagos krosnelėje užsidega, laikykite orkaitės dureles uždarytas, išjunkite orkaitę sieniniu jungikliu arba išjunkite saugiklį galią arba srovės išjungiklius elektros skydinėje.

# VALDYMO PULTO VEIKIMAS



## EKRANĖLIS

Rodo laikrodį, gaminimo laiką ir nustatymą.

## ATITIRPINIMAS

Šiuo mygtuku atšildykite maistą pagal laiką ir svorį MICROW.

Naudokite šį mygtuką, norėdami pasirinkti mikrobangų krosnelės galios lygį.

## LAIKRODIS

Palaikykite šį mygtuką 3 sek., kad nustatytumėte laikrodį. LAIKMATIS

Šiuo mygtuku nustatykite laikmačio funkciją.

## PIKTOGRAMOS

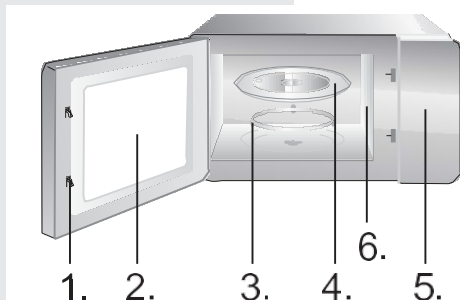
Šiais mygtukais nustatykite laiką, maisto svorį ir pasirinkite automatinio meniu programas.

## SUSTABDYTI/ATŠAUKTI (STOP/CANCEL)

Naudokite šį mygtuką, norėdami sustabdyti arba atšaukti nustatymą. Palaikykite 3 sek., kad įjungtumėte užrakintą nuovaišką.

## START/+30 SEC

Naudokite šį mygtuką norėdami įjungti greitą 30 sekundžių gaminimo pradžia, padidinti gaminimo laiką po 30 sekundžių (kiekvieną paspaudimu) arba patvirtinti gaminimo nustatymus.



1. Durų apsaugos užrakto sistema
2. Krosnelės langas
3. Volelio žiedas
4. Stiklinis padėklas
5. Valdymo pultas
6. Bangų kreiptuvas (prašome neištraukti žėručio plokštelės, dengiančios bangų kreiptuvą)

Yra dešimt mikrobangų galios lygių, atitinkamai 100P, 90P, 80P, 70P, 60P, 50P, 40P, 30P, 20P ir 10P. Pasukite žemiau esančią rankenėlę, kad padidintumėte arba sumažintumėte kepimo laiką, galima pasirinkti laiko intervalą nuo 0:10 iki 60:00. Pasirinkę laiką, paspauskite mygtuką „START/+30s“ (PALEISTI/+30 sek.), kad pradėtumėte darbą. Apie operacijos pabaigą praneša garsinis signalas.

HIGH (didelė)	100 % ir 90 % galia	(tinka greitam ir kruopščiam maisto ruošimui)
M.High (vid. didelė)	80% ir 70% galia	(taikoma vidutinio spartumo maisto ruošimui)
Med (vid.)	60% ir 50% galia	(tinka maistui virti garuose)
M.Low (vid. maža)	40% ir 30% galia	(taikoma maisto produktams atitirpinti)
LOW (maža)	20% ir 10% galia	(tinka šilumai palaikyti)

## DĖMESIO

- Maksimalus laikas, kurį galima nustatyti, yra 60 minučių.
- Niekada nenaudokite orkaitės tuščios.
- Kai mikrobangų krosnelės galia yra didžiausia, orkaitė automatiškai sumažins galią po tam tikro gaminimo laiko, kad pailgėtų tarnavimo laikas.
- Jei ruošdami apverčiate maistą, vieną kartą paspauskite mygtuką „**START/+30s**“ ir iš anksto nustatyta gaminimo procedūra bus tęsiama.

e. Jei ketinate išimti maistą anksčiau nustatyto laiko, turite vieną kartą paspausti „**STOP/CANCEL**“ mygtuką, kad išvalytumėte iš anksto nustatytą procedūrą ir išvengtumėte nenumatyto veikimo kitą kartą naudojant.

## ATITIRPINIMAS/ LAIKRODIS

### ATITIRPINIMAS

Yra du atšildymo režimai, atitinkamai dEF1 ir dEF2. dEF1 – atšildymas pagal svorį, o dEF2 – atšildymas pagal laiką. Paspauskite šį mygtuką, kad pasirinktumėte atitirpinimą pagal svorį arba pagal laiką, ir ekrane pasirodys „dEF1“ arba „dEF2“.

Sukite rankenėlę, kad pasirinktumėte maisto produkto svorį arba atitirpinimo laiką. DEF1 svorio intervalas yra nuo 100 iki 1500 g, o maksimalus dEF2 laikas – 60:00.

Pasirinkę atitirpinimo svorį arba laiką, paspauskite mygtuką „START/+30 sec“, kad pradėtumėte.

Apie operacijos pabaigą praneša garsinis signalas. Atitirpinimo pagal svorį režime dEF1 pasigirs pyptelėjimas, raginantis atšildymo metu apversti maistą.

Toliau nurodoma keletas patarimų dėl maisto produktų atitirpinimo laiko:

dEF1	Atitirpinimo svoris svyruoja nuo 100 iki 1500 g.
dEF2	Maksimalus atitirpinimo laikas yra 60:00 val.

## **ATSARGIAI**

- a. Norint išgauti vienodą efektą, maisto produktus būtina apversti.
- b. Paprastai atitirpinimui reikia daugiau laiko nei maisto gaminimui.
- c. Jei maistą galima pjaustyti peiliu, atitirpinimo procesą galima laikyti baigtu.
- d. Mikrobangos įsiskverbia apie 4 cm į daugumą maisto produktų.
- e. Atšildytą maistą reikia suvartoti kuo greičiau, nerekomenduojama dėti atgal į šaldytuvą ir vėl užšaldyti.

---

### **Laikrodis (24 valandų laikrodis)**

Kai įjungtas budėjimo režimas, paspauskite ir ilgiau nei 3 sekundes palaikykite mygtuką „DEFROST/CLOCK“, kad įjungtumėte laikrodžio nustatymo sąsają. Tuo pačiu metu ekrane mirksi valandos. Valandų laiką galima nustatyti sukant rankenėlę. Nustatę valandą, trumpam paspauskite mygtuką „START/+30s“, kad persijungtumėte į minučių nustatymo režimą. Minutes galima nustatyti sukant rankenėlę. Nustatę minutes, dar kartą paspauskite mygtuką „START/+30s“, kad išeitumėte iš nustatymo režimo.

## AUTOMATINIS GAMINIMAS

Yra aštuoni automatiniai menui A.1 ~ A.8, bulvių, makaronų, picos, kukurūzų spragėsių, daržovių, gėrimų, mėsos ir žuvies. Nuolat spausdami mygtuką „Menu“ pasirinkite norimą menui, tada sukdami rankenėlę pasirinkite menui. Pasirinkę kepimo svorį, paspauskite mygtuką „START/+30s“, kad pradėtumėte darbą. Apie operacijos pabaigą praneša garsinis signalas.

Rodmuo	Rūšis	Metodas
A.1	Bulvės	Pasirinktinis svoris yra 250 g, 500 g ir 750 g
A.2	Makaronų gaminys	Pasirinktinis svoris yra 50 g, 100 g ir 150 g
A.3	Pica	Pasirinktinis svoris yra 200 g ir 400 g
A.4	Pūsti kukurūzai	Pasirinktinis svoris – 100 g
A.5	Daržovių	Pasirinktinis svoris yra 200 g, 400 g ir 600 g
A.6	Gėrimai	Pasirenkamas svoris – 1 puodelis, 2 puodeliai arba 3 puodeliai, kiekvienas iš jų apie 250 ml.
A.7	Mėsa	Pasirinktinis svoris yra 200 g, 400 g ir 600 g
A.8	Žuvis	Pasirinktinis svoris yra 200 g, 400 g ir 600 g



## **ATSARGIAI**

- a. Maisto temperatūra prieš kepimą turėtų būti 20-25 °C. Aukštesnei arba žemesnei maisto temperatūrai prieš gaminant reikėtų padidinti arba sumažinti gaminimo trukmę.
- b. Temperatūra, maisto produkto svoris ir forma daro didelę įtaką maisto ruošimo poveikiui. Jei nustatėte nukrypimų nuo pirmiau pateiktame meniu nurodyto veiksnio, galite pakoreguoti kepimo laiką, kad pasiektumėte geriausią rezultatą.

---

### **LAIKMATIS**

Budėjimo režimu paspauskite šį mygtuką, kad įeitumėte į nustatymo sąsają, ir ekrane bus rodoma atgalinio skaičiavimo funkcijos piktograma ir „0:00“. Pasukite rankenėlę, kad nustatytumėte laiką; maksimalus galimas įvesti laikas yra 60:00. Nustatę laiką, paspauskite mygtuką „START/+30s“, kad prasidėtų atgalinis laiko skaičiavimas. Apie atgalinio skaičiavimo pabaigą pranešantis garsinis signalas.

---

**REHEAT/ECO  
PAŠILDYMAS**

Šildymo funkcija daugiausia skirta palengvinti vartotojams šildyti maistą pagal maisto svorį: pasukite rankenėlę, kad pasirinktumėte atitinkamą maisto svorį, pasirenkamas 200 g, 400 g, 60 g, 800 g ir 1000 g svoris. Pasirinkę svorį, paspauskite mygtuką „START/+30s“, kad pradėtumėte darbą. Apie operacijos pabaigą praneša garsinis signalas.

---

**ECO**

Kai įjungtas budėjimo režimas, 3 sekundes palaikykite nuspaudę mygtuką „Reheat“ (pakaitinti), kad įjungtumėte ECO, ir ekranas išsijungs. Įjungdami ECO paspauskite bet kurį mygtuką, kad išjungtumėte ECO funkciją.

---

**STOP**

Gaminimo metu galite paspausti mygtuką „STOP“, kad atšauktumėte nustatymus ir grįžtumėte į parengties būseną. Kai mikrobangų krosnelė veikia, galite paspausti mygtuką „STOP“, kad pristabdytumėte. Parengties režime galite dar kartą paspausti mygtuką „STOP“, kad atšauktumėte funkciją ir grįžtumėte į parengties būseną.

---

**START/+30s**

Nustatę gaminimo laiką arba maisto svorį, paspauskite mygtuką „START/+30s“, kad iš karto paleistumėte mikrobangų krosnelę. Esant darbinei būsenai galite paspausti mygtuką „START/+30s“, kad pailgintumėte laiką, paspauskite vieną kartą, kad pailgintumėte 30 sekundžių. Tačiau meniu režime ir svorio atitirpinimo režime laiko reguliuoti negalima. Pausės būsenoje galite paspausti mygtuką „START/+30s“, jei norite tęsti mikrobangų krosnelės darbą prieš įjungdami gaminimo režimą.

---

## EXPRESS

Parengties režimu, kai maistas yra įdėtas ir durelės uždarytos, paspauskite mygtuką „START/+30s“, kad greitai įjungtumėte mikrobangų krosnelę. Numatytasis veikimo laikas yra 30 sekundžių. Darbo metu vieną kartą paspauskite mygtuką „START/+30s“ 30 sekundžių. Apie operacijos pabaigą praneša garsinis signalas.

---

## UŽRAKTAS NUO VAIKŲ

Naudokite šią funkciją norėdami užrakinti valdymo skydelį, kai valote arba kad vaikai negalėtų naudotis orkaite be priežiūros. Šiuo režimu neveikia visi mygtukai.

- 1) Užrakto nustatymas: budėjimo režimu ilgiau nei 3 sekundes spauskite mygtuką „STOP“. Vaikų užrakto funkcija bus užrakinta ir visi mikrobangų krosnelės mygtukai negalės veikti.
- 2) Atšaukti užraktą: kai prietaisas užrakintas nuo vaikų, spauskite mygtuką „STOP“ ilgiau nei 3 sekundes, kad atšauktumėte užrakto nuo vaikų funkciją.

## INDŲ NAUDOJIMO GAIRĖS

Primygtinai rekomenduojame naudoti indus, kurie yra tinkami ir saugūs ruošti maistą mikrobangų krosnelėje. Apskritai mikrobangų krosnelėse gaminti tinka indai, pagaminti iš karščiui atsparios keramikos, stiklo arba plastiko. Nenaudokite metalinių indų kepimui mikrobangų krosnelėje ir kombinuotam maisto ruošimui, nes gali kilti kibirkštys. Galite remtis toliau pateikta lentele.

<b>Indo medžiaga</b>	<b>Mikrobangos</b>	<b>Pastabos</b>
Karščiui atspari keramika	Taip	Niekada nenaudokite keramikos, kuri dekoruota metaliniu apvadu arba glazūruota
Karščiui atsparus plastikas	Taip	Negalima naudoti ilgam virimui mikrobangų krosnelėje
Karščiui atsparus stiklas	Taip	
Grilio stovas	Ne	
Plastikinė plėvelė	Taip	Negalima naudoti kepant mėsą ar kotlečius, nes per aukšta temperatūra gali pakenkti plėvelei

Kepimo rezultatui įtakos gali turėti šie veiksniai:

### **Maisto išdėstymas**

Stambesnes dalis dėkite į indo išorę, plonesnes – į vidurį ir tolygiai paskirstykite. Jei įmanoma, neudenkite vieno maisto gabalų kitais.

### **Gaminimo trukmė**

Gaminimą pradėkite nustatę trumpą laiką, įvertinkite jį pasibaigus laikui ir prailginkite pagal poreikį. Per ilgai kepatant gali atsirasti dūmų ir maistas gali prisvilti.

### **Tolygus maisto gaminimas**

Tokį maistą kaip vištiena, mėsainiai ar kepsniai kepimo metu reikia vieną kartą apversti. Priklausomai nuo maisto rūšies, jei reikia, gamindami maistą vieną ar du kartus pamaišykite jį iš išorės į indo vidurį.

### **Leiskite pastovėti**

Pasibaigus kepimo laikui, palikite maistą orkaitėje pakankamam laikui, kad jis baigtų kepimo ciklą ir palaipsniui atvėstų.

### **Ar maistas jau paruoštas**

Maisto spalva ir kietumas padeda nustatyti, ar maistas jau paruoštas:

- Garai eina iš visų maisto produktų dalių, ne tik iš krašto.
- Naminių paukščių sąnariai lengvai atsiskiria.
- Kiaulienoje ar paukštienoje nesimato kraujo.
- Žuvis neskaidri ir lengvai pjaustoma šakute.

## **Skrudinti patiekalai**

Jei naudojate skrudinimo indą arba greitai įkaistantį indą, visada po juo padėkite karščiui atsparų izoliatorių, pvz., porcelianinę lėkštę, kad nepažeistumėte sukamojo stalo ir besisukančio žiedo.

## **Mikrobangų krosnelei skirta plastikinė plėvelė**

Gamindami maistą, kuriame yra daug riebalų, neleiskite plastikinei plėvelei liestis su maistu, nes ji gali išsilydyti.

## **Mikrobangų krosnelėms skirti plastikiniai indai**

Kai kurie mikrobangų krosnelėms tinkami plastikiniai indai gali netikti gaminti maisto produktams, kuriuose yra daug riebalų ir cukraus. Be to, negalima viršyti indų naudojimo instrukcijoje nurodyto kaitinimo laiko.

# **PRIEŽIŪRA**

## **TECHNINĖ PRIEŽIŪRA**

Prieš kreipdamiesi į techninės priežiūros tarnybą patikrinkite toliau nurodytus dalykus.

1. Į stiklinį indą į orkaitę įpilkite vieną puodelį vandens (apie 150 ml) ir sandariai uždarykite dureles. Orkaitės lemputė turėtų užgesti, jei durelės tinkamai uždarytos. Palikite orkaitę veikti 1 min.
2. Ar užsidega orkaitės lemputė?
3. Ar veikia aušinimo ventiliatorius?  
Uždėkite ranką ant galinių ventiliacijos angų.)
4. Ar sukamasis stalas sukasi?

(Sukamasis stalas gali suktis pagal laikrodžio rodyklę arba prieš laikrodžio rodyklę. Tai visiškai normalu.)

5. Ar orkaitėje vanduo karštas?

Jei į bet kurį iš pirmiau pateiktų klausimų atsakėte „Ne“, patikrinkite sieninį kištukinį lizdą ir skaitiklio dėžutėje esantį saugiklį.

Jei ir sieninis lizdas, ir saugiklis veikia tinkamai, KREIPKITĖS Į ARTIMIAUSIĄ ĮGALIOTĄ TECHNINĖS PRIEŽIŪROS CENTRĄ.

## **TECHNINĖS PRIEŽIŪROS SAUGOS**

### **PRIEMONĖS**

**Atsargiai:** MIKROBANGŲ SPINDULIUOTĖ

1. Po atjungimo aukštos įtampos kondensatorius išlieka įkrautas; prieš liečiant trumpai prijunkite neigiamą H.V kondensatoriaus gnybtą prie orkaitės važiuoklės (naudokite atsuktuvą), kad išsikrautų.
2. Atliekant techninę priežiūrą, toliau išvardytos dalys gali būti nuimtos ir prieiti prie didesnio nei 250 V potencialo į žemę.

- Magnetronas
- Aukštos įtampos transformatorius
- Aukštos įtampos kondensatorius
- Aukštos įtampos diodas
- Aukštos įtampos saugiklis

3. Toliau išvardytos sąlygos gali lemti netinkamą mikrobangų poveikį atliekant techninę priežiūrą.



## TECHNINIAI DUOMENYS

- Netinkamas magnetrono sumontavimas;
- Netinkamas durelių blokavimo, durelių urų vyrių ir durelių suderinimas;
- Netinkamai sumontuota jungiklio atrama;
- Pažeistos durys, durų sandariklis arba korpusas.

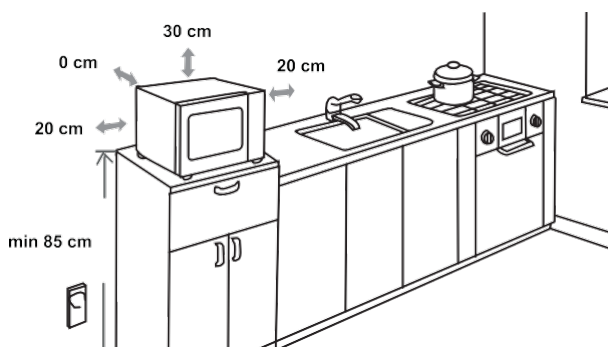
Galios sąnaudos..... 220-240 V ~50 Hz, 1280 W  
Išvesties srovė..... 800 W  
Veikimo dažnis..... 2450 MHz  
Išorės matmenys.....480 x 295 x 352 mm  
Krosnelės talpa..... 23 litrai  
Tuščio prietaiso svoris..... apytiksliai. 11.7 kg  
Triukšmo lygis..... Lc ≤61 dB (A)



**Šis prietaisas atitinka Europos EU/2012/19, Elektros ir elektroninės įrangos atliekų direktyvą (EEI atliekų direktyvą).**

**Šios gairės galioja visoje Europoje grąžinant ir perdurbant naudotą elektros ir elektroninę įrangą ir jos atliekas.**

## MONTAVIMO MATMENYS



Eksplatuojant mikrobangų krosnelę, ji gali trikdyti radijo, televizijos ar panašius prietaisus. Kai yra trukdžių, juos galima sumažinti arba pašalinti imantis šių priemonių:

- a) Išvalykite krosnelės dureles ir sandarinimo paviršius.
- b) Statykite radiją, TV ir t.t. kuo toliau nuo mikrobangų krosnelės.
- c) Naudokite tinkamai sumontuotą radijo, televizijos anteną ir t.t. norėdami gauti geresnį signalą.

MES PASILIEKAME TEISĘ DARYTI PAKEITIMUS, KURIE  
NETURI JŲTAKOS PRIETAISO VEIKIMUI.

**Hisense**

## CIEN. KLIENTI!

Paldies, ka iegādājāties mūsu ierīci. Mēs ticam, ka jūs pavisam drīz atradīsiet daudz pierādījumu tam, ka jūs patiešām varat pajauties uz mūsu produktiem. Lai atvieglotu ierīces lietošanu, mēs pievienojam šo visaptverošo lietošanas instrukciju.

Šiem norādījumiem vajadzētu palīdzēt jums iepazīt jauno ierīci. Lūdzu, rūpīgi izlasiet tos pirms ierīces pirmās lietošanas reizes.

Jebkurā gadījumā, lūdzu, pārliecinieties, ka ierīce jums piegādāta bez bojājumiem. Ja konstatējat jebkādas transportēšanas bojājumus, sazinieties ar tirdzniecības pārstāvi vai reģionālo noliktavu, no kuras produkts tika piegādāts. Tālruņa numuru atradīsiet saņemšanas vai piegādes aktā.

Novēlam jums gūt daudz prieka, izmantojot savu jauno sadzīves tehniku.



Ierīce ir paredzēta lietošanai mājsaimniecībā pārtikas un dzērienu sildīšanai, izmantojot elektromagnētisko enerģiju. Lietošanai tikai iekštelpās.

## LIETOŠANAS INSTRUKCIJA

Šie norādījumi ir paredzēti ierīces lietotājam.

Tajos ir aprakstīta plīts darbība un tās izmantošana. Tie attiecas arī uz dažāda veida ierīcēm; tādēļ šeit varētu būt daži funkciju apraksti, kas var neattiekties uz jūsu ierīci.

Mēs paturam tiesības uz jebkādām izmaiņām un kļūdām lietošanas instrukcijā.



Nekad nepieskarieties apkures vai ēdiena gatavošanas ierīču virsmām. Darbības laikā tās sakarst. Turiet bērnus drošā attālumā no ierīces. Pastāv apdeguma risks!



Mikrovilņu enerģija un augsts spriegums! Nenoņemiet vāku.

**BRĪDINĀJUMS!** Ierīce un pieejamās daļas lietošanas laikā sakarst. Jāuzmanās, lai nepieskartos sildelementiem. Pieskatiet, lai bērni, kas ir jaunāki par 8 gadiem, neatrastos ierīces tuvumā, ja vien viņi netiek pastāvīgi uzraudzīti. Bērni ir jāuzrauga, lai nodrošinātu, ka viņi nerotaļājas ar ierīci. Bērni, kas sasnieguši 8 gadu vecumu un vairāk, un cilvēki ar samazinātām fiziskajām, sensorajām un garīgajām spējām vai ar pieredzes vai zināšanu trūkumu ierīci var lietot tikai citu cilvēku uzraudzībā vai pēc tam, kad viņi ir apmācīti to izmantot un ir sapratuši iespējamos riskus. Bērni nedrīkst spēlēt ar ierīci. Bērni nedrīkst veikt ierīces tīrīšanu un lietošanas apkopi bez pieaugušo uzraudzības.

Ierīci un tās elektrības vadu glabājiet vietā, kas nav pieejama bērniem, jaunākiem par 8 gadiem.

- **BRĪDINĀJUMS:** Kad ierīce tiek darbināta kombinētajā režīmā, tās radītās temperatūras dēļ bērni drīkst lietot krāsni tikai pieaugušo uzraudzībā (tikai modelim ar grila funkciju).

- **BRĪDINĀJUMS:** Ja durvis vai durvju blīves ir bojātas, krāsni nedrīkst lietot, kamēr to nav saremontējusi kompetenta persona.
- **BRĪDINĀJUMS:** Jebkādas apkopes vai remonta darbības, kuras paredz vāka, kas aizsargā pret mikroviļņu enerģijas iedarbību, noņemšanu, ir bīstama jebkuram lietotājam, izņemot kompetentu personu.
- **BRĪDINĀJUMS:** Šķidrumus un citus pārtikas produktus nedrīkst karsēt noslēgtos traukos, jo tie var uzsprāgt.
- Bērni ir jāuzrauga, lai nodrošinātu, ka viņi nerotaļājas ar ierīci.
- Nenovietojiet mikroviļņu krāsnī kājiņas; nebloķējiet gaisa piekļuvi krāsnij.
- Lietojiet tikai tādus traukus, kas ir piemēroti lietošanai mikroviļņu krāsnīs.
- Sildot pārtiku plastmasas vai papīra traukos, uzmaniet mikroviļņu krāsni, jo pastāv aizdegšanās iespēja.
- Ja izdalās dūmi, izslēdziet ierīci vai atvienojiet to no elektrotīkla un turiet durvis aizvērtas, lai apslāpētu liesmas.
- Dzērienu karsēšana mikroviļņu krāsnī var izraisīt aizkavētu vārīšanos ar strauju burbuļošanu, tāpēc, rīkojoties ar trauku, jābūt uzmanīgiem.
- Lai izvairītos no apdegumiem, bērnu barošanas pudeļu un bērnu pārtikas burciņu saturs pirms lietošanas jāsamaisa vai jāsakrata un jāpārbauda temperatūra.

- Olas čaumalās un veselas cieti vārītas olas nedrīkst sildīt mikroviļņu krāsnī, jo tās var uzsprāgt pat pēc sildīšanas mikroviļņu krāsnī.
- Tīrot durvju virsmas, durvju blīvējumu vai mikroviļņu krāsns dobumu, izmantojiet tikai maigas iedarbības neabrazīvas ziepes vai mazgāšanas līdzekļus, uzklājot tos ar sūkli vai mīkstu drānu.
- Mikroviļņu krāsns ir regulāri jātīra un jānoņem pārtikas nogulsnes.
- Ja mikroviļņu krāsns netiek uzturēta tīrā stāvoklī, tas var veicināt virsmas nolietošanos, kas savukārt var negatīvi ietekmēt ierīces kalpošanas laiku un, iespējams, izraisīt bīstamu situāciju.
- Ja barošanas vads ir bojāts, tas jānomaina ražotājam, tā servisa aģentam vai līdzīgi kvalificētām personām, lai izvairītos no apdraudējumiem.
- Novērsiet situācijas, ka vads nokarājas pāri galda vai darba virsmas malai.
- Lai izvairītos no bīstamas situācijas, nekad nepievienojiet šo ierīci ārējam taimera slēdzim vai tālvaldības sistēmai.
- Nekad nemainiet spuldzi mikroviļņu krāsnī. Tas vienmēr ir jāveic Hisense servisa centrā.
- Netīriet ierīci ar tvaika tīrītājiem, augstspiediena tīrītājiem, asiem priekšmetiem, abrazīviem tīrīšanas līdzekļiem un abrazīviem sūkliem un traipu tīrīšanas līdzekļiem.

Tālāk tekstā, tāpat kā citām ierīcēm, ir minēti daži norādījumi, kas jāievēro, un drošības pasākumi, lai nodrošinātu šīs krāsns vislabāko veiktspēju:

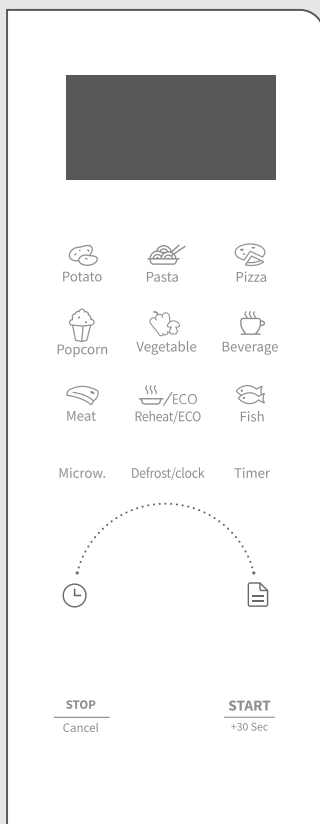
1. Pirms mikroviļņu krāsns lietošanas vienmēr novietojiet paredzētajā vietā stikla paplāti, rotējošo balstu, savienojumu un rullīšu transportieri.
2. Neizmantojiet krāsni citiem nolūkiem, izņemot ēdiena pagatavošanu, piemēram, drēbju, papīra vai citu nepārtikas priekšmetu žāvēšanai vai sterilizēšanai.
3. Nekad neieslēdziet mikroviļņu krāsni, ja tā ir tukša, jo tas var sabojāt mikroviļņu krāsni.
4. Neizmantojiet krāsns dobumu jebkāda veida priekšmetu uzglabāšanai, piemēram, papīriem, pavārgrāmatām utt.
5. Gatavojot krāsni ēdienu, ko ieskauj apvalks/membrāna, piemēram, olu dzeltenumus, kartupeļus, vistu aknas utt., vispirms ar dakšiņu caurduriet apvalku vairākās vietās.
6. Neievietojiet nekādus priekšmetus ārējā korpusa atverēs.
7. Nekad nenovietojiet no krāsns tās detaļas, piemēram, kājiņas, savienojumus, skrūves utt.
8. Negatavojiet ēdienu tieši uz stikla paplātes. Pirms ievietošanas krāsni ielieciet ēdienu atbilstošā gatavošanas traukā. **SVARĪGI** - NEIZMANTOJIET TRAUKUS, KAS NAV PIEMĒROTI MIKROVIĻŅU KRĀSNIJ
  - Neizmantojiet metāla pannas vai traukus ar metāla rokturiem.
  - Neizmantojiet nekādus traukus ar metāla apdari.
  - Neizmantojiet plastmasas maisiņiem paredzētus stieplju savilcējus, kas pārklāti ar papīru.
  - Neizmantojiet melamīna traukus, jo tie satur materiālu, kas absorbē mikroviļņu enerģiju. Tas var izraisīt trauku saplaisāšanu vai apdegšanu un palēnināt gatavošanas procesu.
  - Neizmantojiet Centura galda piederumus. To pārklājums nav piemērots lietošanai mikroviļņu krāsni. Nedrīkst izmantot Corelle Livingware krūzes ar slēgtu rokturi.
  - Negatavojiet ēdienu traukos ar ierobežotu atveri, piemēram, pudelēs vai hermētiski noslēgtās eļļas pudelēs, jo, karsējot mikroviļņu krāsni, šādi trauki var eksplodēt.
  - Neizmantojiet parastos gaļas vai desertu termometrus.
  - Ir pieejami termometri, kas ir īpaši paredzēti gatavošanai mikroviļņu krāsni. Tos var izmantot šajās krāsniīs.
9. Mikroviļņu traukus drīkst lietot tikai saskaņā ar ražotāja norādījumiem.
10. Nemēģiniet šajā mikroviļņu krāsni vārīt ēdienus eļļā.
11. Lūdzu, atcerieties, ka mikroviļņu krāsns uzsilda tikai šķidrums traukā, nevis pašu trauku.

Tāpēc, lai gan, izņemot ēdienu no krāsns, trauka vāks pēc taustes nav karsts, atcerieties, ka, noņemot vāku, ēdiens vai dzēriens trauka iekšpusē izdalīs tvaiku vai sprakšķēs tieši tāpat kā gatavojot uz parastas plīts.

12. Vienmēr pārbaudiet gatavotā ēdiena temperatūru, īpaši, ja karsējat vai gatavojat ēdienu/šķidrumu mazuļiem. Ieteicams nekad nelietot pārtiku/šķidrumu uzreiz pēc izņemšanas no krāsns, bet ļaut tam dažas minūtes nostāvēties, un tad samaisīt ēdienu/šķidrumu, lai vienmērīgi sadalītu siltumu.
13. Ēdienam, kas satur tauku un ūdens maisījumu, piemēram, buljonam, vajadzētu nostāvēties krāsnī 30–60 sekundes pēc izslēgšanas. Tas nepieciešams, lai maisījums nostātos un novērstu burbuļošanu, kad ēdienā/šķidrumā ievieto karoti vai pievieno buljona kubiņu.
14. Gatavojot/karsējot ēdienu/šķidrumu, atcerieties, ka ir daži ēdieni, piemēram, Ziemassvētku pudīņi, ievārījums un maltā gaļa, kas uzsilst ļoti ātri. Sildot vai gatavojot ēdienu ar augstu tauku vai cukura saturu, neizmantojiet plastmasas traukus.
15. Virtuves piederumi var sakarst, jo no uzkarstētā ēdiena izdalās siltums. Tas īpaši attiecas uz gadījumiem, kad trauka augšpuse un rokturi ir pārklāti ar plastmasas apvalku. Lai rīkotos ar trauku, var būt nepieciešami virtuves cimdi vai trauku turētāji.
16. Lai samazinātu aizdegšanās risku krāsnī:
  - a) Nepārkarstējiet ēdienu. Rūpīgi pieskatiet mikroviļņu krāsnī, ja ērtākai gatavošanai krāsnī ir ievietots papīrs, plastmasa vai citi degoši materiāli.
  - b) Pirms maisiņu ievietošanas mikroviļņu krāsnī, noņemiet no tiem stieplu savilcējus.
  - c) Ja aizdegas krāsnī esošie materiāli, turiet krāsns durvis aizvērtas, izslēdziet krāsnī ar sienas slēdzi vai atslēdziet barošanu drošinātājā vai slēdža panelī.



# VADĪBAS PANEĻA DARBĪBA



## DISPLEJS

Parāda pulksteni, gatavošanas ilgumu un iestatījumu.

## ATLAIDINĀŠANA

Lietojiet šo taustiņu, lai atlaidinātu pārtiku, pamatojoties uz atlaidināšanas ilgumu un svaru.

## Microw (MIKROVIĻŅI)

Lietojiet šo taustiņu, lai atlasītu mikroviļņu plīts jaudas līmeni.

## PULKSTENIS

Lai iestatītu pulksteni, turiet šo taustiņu piespiestu 3 sek.

## TAIMERIS

Izmantojiet šo taustiņu, lai iestatītu taimera funkciju.

## IKONAS

Lietojiet šos taustiņus, lai iestatītu pārtikas svaru un izvēlētos automātiskās ēdienu gatavošanas programmas.

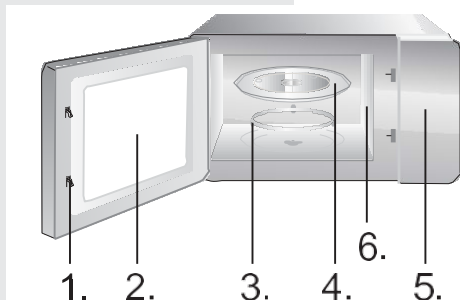
## STOP/CANCEL (APTURĒT/ATCELT)

Lietojiet šo taustiņu iestatījuma pārtraukšanai vai atceļšanai.

Lai lietotu bērnu drošības funkciju, 3 sekundes turiet taustiņu piespiestu.

## START/+30 SEC (SĀKT/+30 SEK.)

Lietojiet šo taustiņu, lai 30 sek. laikā strauji uzsāktu gatavošanu, par 30. sek. paildzinātu gatavošanas laiku (ar katru piespiedienu) vai apstiprinātu gatavošanas iestatījumus.



1. Durtiņas bloķējošā aizsargsistēma
2. Mikroviļņu krāsns logs
3. Veltņa gredzens
4. Stikla paplāte
5. Vadības panelis
6. Viļņu vadotne (lūdzu, nenoņemiet vizlas plāksni, kas pārklāj viļņu vadotni)

Ir pieejami desmit jaudas līmeņi attiecīgi ar 100P, 90P, 80P, 70P, 60P, 50P, 40P, 30P, 20P un 10P jaudu. Pagrieziet zemāk esošo pogu, lai palielinātu vai samazinātu gatavošanas laiku, laika diapazonu var izvēlēties no 0:10 līdz 60:00. Kad ilgums atlasīts, piespiediet pogu “START/+30sec”, lai sāktu darbu. Par darbības beigām paziņos skaņas signāls.

LIELA	100% un 90% izejas jauda	(Piemērots ātrai un pamatīgai ēdiena)
Vid. liela	80% un 70% izejas jauda	(Piemērots vidēji ātrai ēdiena gatavošanai)
Vid.	60% un 50% izejas jauda	(Piemērots tvaicētam ēdienam)
Vid. zema	40% un 30% izejas jauda	(Piemērots pārtikas atlaidināšanai)
ZEMA	20% un 10% izejas jauda	(Piemērots siltuma uzturēšanai)



### BRĪDINĀJUMS

- Maksimālais laiks, ko var iestatīt, ir 60 minūtes.
- Nekad nedarbiniet tukšu krāsni.
- Pie maksimālās mikroviļņu jaudas cepeškrāsns pēc noteikta gatavošanas laika automātiski samazina jaudu, lai pagarinātu kalpošanas laiku.
- Ja gatavošanas laikā apgrozāt ēdienu, vienu reizi nospiediet pogu **START/+30s**, un iepriekš iestatītā gatavošanas programma turpināsies.

e. Ja plānojat izņemt ēdienu pirms iestatītā laika, vienu reizi nospiediet pogu **STOP/CANCEL**, lai notīrītu iepriekš iestatīto programmu un izvairītos no neparedzētas darbības nākamajā lietošanas reizē.

**ATLAIDINĀŠANA/**

**PULKSTENIS**

**ATLAIDINĀŠANA**

Darbojas divi atlaidināšanas režīmi; attiecīgi dEF1 un dEF2. dEF1 paredzēts atlaidināšanai, ņemot vērā svaru, un dEF2 – atlaidināšanai, ņemot vērā ilgumu. Piespiediet šo pogu, lai atlasītu atlaidināšanu, ņemot vērā svaru vai ilgumu, un displeja ekrānā tiks parādīts "dEF1" vai "dEF2". Pagrieziet pogu, lai atlasītu pārtikas svaru vai atlaidināšanas ilgumu. dEF1 svara amplitūda ir no 100 līdz 1500 g; maksimālais dEF2 ilgums ir 60:00. Pēc atlaidināšanas atlasīšanas, ņemot vērā svaru vai ilgumu, piespiediet pogu "START/+30s", lai sāktu darbu. Par darbības beigām paziņos skaņas signāls. dEF1 atlaidināšanas režīmā, kur ņem vērā svaru, atskanēs skaņas signāls, mudinot atlaidināšanas laikā apgriezt ēdienu.

Tālāk ir sniegti daži padomi par pārtikas atlaidināšanas ilgumu:

dEF1	Atlaidināšanai, svara diapazons no 100 līdz 1500 g.
dEF2	Atlaidināšana, maksimālais ilgums ir 60:00.

## BRĪDINĀJUMS

- a. Atlaidināšanas laikā ēdiens ir jāapgroza, lai būtu vienmērīgs efekts.
- b. Parasti atlaidināšanai ir nepieciešams ilgāks laiks nekā ēdiena gatavošanai.
- c. Ja produktu var sagriezt ar nazi, atlaidināšanas procesu var uzskatīt par pabeigtu.
- d. Vairumā pārtikas produktu mikroviļņi iespiežas aptuveni 4 cm dziļumā
- e. Atlaidināts produkts ir jāizlieto pēc iespējas ātrāk, nav ieteicams to likt atpakaļ ledusskapī un atkal sasaldēt.

---

### **PULKSTENIS (24 st. pulkstenis)**

Lai atvērtu pulksteņa iestatīšanas saskarni, gaidstāves režīmā spiediet pogu "ATLAIDINĀŠANA/PULKSTENIS" ilgāk par 3 sekundēm. Vienlaikus displeja ekrānā mirgo stundas. Laiku stundās var iestatīt, pagriežot pogu. Pēc stundas iestatīšanas uz īsu brīdi piespiediet pogu "START/+30s", lai pārslēgtos uz minūšu iestatīšanas režīmu. Minūtes var iestatīt, pagriežot pogu. Pēc minūšu iestatīšanas vēlreiz piespiediet pogu "START/+30s", lai izietu no iestatīšanas režīma.

## AUTOMĀTISKĀ GATAVOŠANA

Ir astoņas automātiskās izvēlnes A.1~A.8, attiecīgi kartupeļi, pasta, pica, popkorns, dārzeņi, dzērieni, gaļa un zivis. Nepārtraukti spiediet pogu “Izvēlne”, lai atlasītu vajadzīgo izvēlni, pēc tam pagrieziet pogu, lai izvēlētos izvēlnē svaru. Pēc gatavošanas svara izvēles nospiediet pogu “START/+30s”, lai sāktu darbu. Par darbības beigām paziņos skaņas signāls.

Displejs	Ēdiena veids	Metode
A.1	<b>Kartupeļi</b>	Optimālais svars ir 250 g, 500 g un 750 g
A.2	<b>Pasta</b>	Optimālais svars ir 50 g, 100 g un 150 g
A.3	<b>Pica</b>	Optimālais svars ir 200 g un 400 g
A.4	<b>Popkorns</b>	Optimālais svars ir 100 g
A.5	<b>Dārzeņi</b>	Optimālais svars ir 200 g, 400 g un 600 g
A.6	<b>Dzēriens</b>	Izvēles svars ir 1 tase, 2 tases vai 3 tases, katra aptuveni 250 ml
A.7	<b>Gaļa</b>	Optimālais svars ir 200 g, 400 g un 600 g
A.8	<b>Zivis</b>	Optimālais svars ir 200 g, 400 g un 600 g

## BRĪDINĀJUMS

- a. Ēdienu temperatūrai pirms gatavošanas būtu jābūt 20–25 °C. Augstāka vai zemāka ēdiena temperatūra pirms gatavošanas liek palielināt vai samazināt gatavošanas laiku.
- b. Ja ir atkāpes no pie ēdiena norādītajiem nosacījumiem, iespējams regulēt gatavošanas ilgumu, lai iegūtu labāko rezultātu.

---

### TAIMERIS

Izmantojiet šo taustiņu, lai iestatītu taimera funkciju. Gaidstāves režīmā piespiediet šo pogu, lai atvērtu iestatījumu saskarni, un displejā tiks parādīta laika atpakaļskaitīšanas funkcijas ikona un "0:00". Pagrieziet pogu, lai ievadītu ilgumu; maksimālais ievadāmais ilgums ir 60:00. Kad ilgums ievadīts, piespiediet pogu "START/+30s", lai sāktu atpakaļskaitīšanu. Par atpakaļskaitīšanas pabeigšanu paziņos skaņas signāls.

---

**UZSILDĪŠANA/  
ECO REŽĪMS****UZSILDĪŠANA**

Uzsildīšanas funkcija galvenokārt paredzēta, lai lietotājiem palīdzētu uzsildīt pārtiku atbilstoši pārtikas svaram; pagrieziet pogu, lai atlasītu piemērotu pārtikas svaru – iespējamais svars ir 200 g, 400 g, 600 g, 800 g un 1000 g. Kad svars atlasīts, piespiediet pogu “START/+30s”, lai sāktu darbu. Par darbības beigām paziņos skaņas signāls.

---

**ECO funkcija**

Lai ieslēgtu ECO funkciju, gaidstāves režīmā piespiediet uzsildīšanas pogu un 3 sekundes turiet piespiestu; tiks izslēgts displejs. Ieslēdzot ECO, piespiediet jebkuru pogu, lai izslēgtu ECO funkciju.

---

## STOP

Gatavošanas iestatījumu darbības laikā varat piespiest pogu “STOP”, lai atceltu iestatījumus un atgrieztos gaidstāves režīmā. Mikroviļņu krāsns darbības laikā varat piespiest pogu “STOP”, lai iepauzētu. Gatavošanas iestatījumu darbības laikā varat atkal piespiest pogu “STOP”, lai atceltu funkciju un atgrieztos gaidstāves stāvoklī.

---

## START/+30s

Pēc gatavošanas ilguma vai pārtikas svara iestatīšanas piespiediet pogu “START/+30s”, lai nekavējoties iedarbinātu mikroviļņu krāsni. Darba stāvoklī varat piespiest pogu “START/+30s”, lai paildzinātu ilgumu; piespiediet vienu reizi, lai paildzinātu par 30 sekundēm, tomēr ēdiena gatavošanas režīmā un atlaidināšanas saskaņā ar svaru režīmā ilgumu nevar paildzināt. Pauzes stāvoklī varat piespiest pogu “START/+30s”, lai turpinātu mikroviļņu krāsns darbību pirms gatavošanas režīma.



Lai mikroviļņu krāsns strauji uzsāktu darbu, pēc pārtikas ievietošanas un durvīņu aizvēršanas gaidstāves režīmā piespiediet pogu "START/+30s". Rūpnīcā iestatītais darbības ilgums ir 30 sekundes. Darbības laikā vienu reizi uz 30 sekundēm piespiediet pogu "START/+30s". Par darbības beigām paziņos skaņas signāls.

Izmantojiet šo funkciju, lai bloķētu vadības paneli tīrīšanas laikā vai lai bērni nevarētu izmantot cepeškrāsni bez uzraudzības. Šajā režīmā visas pogas kļūst darboties nespējīgas.

1) Iestatīt bloķēšanu: gaidīšanas režīmā nospiediet pogu "STOP" ilgāk par 3 sekundēm, ieslēdzas bērnu drošības funkcija un nevienu mikroviļņu krāsns pogu nevar darbināt.

2) Atcelt bloķēšanu: bērnu drošības funkcijas darbības laikā nospiediet pogu "STOP" ilgāk par 3 sekundēm, lai atceltu bērnu bloķēšanas funkciju.

## NORĀDĪJUMI PAR VIRTUVES PIEDERUMIEM

Ir stingri ieteicams izmantot traukus, kas ir piemēroti un droši gatavošanai mikroviļņu krāsnī. Vispārēji runājot, trauki, kas izgatavoti no karstumizturīgas keramikas, stikla vai plastmasas, ir piemēroti gatavošanai mikroviļņu krāsnī. Nekad neizmantojiet metāla traukus gatavošanai mikroviļņu krāsnī un kombinētai gatavošanai, jo var rasties dzirksteles. Trauka izvēlei varat izmantot tālāk esošo tabulu.

Trauka materiāls	Mikroviļņi	Piezīmes
Karstumizturīga keramika	Jā	Nekad neizmantojiet keramiku, kas ir dekorēta ar metāla malām vai glazēta.
Karstumizturīga plastmasa	Jā	Nevar izmantot ilgstošai gatavošanai mikroviļņu krāsnī.
Karstumizturīgs stikls	Jā	
Grila režģis	Nē	
Plastmasas plēve	Jā	To nedrīkst lietot, gatavojot gaļu vai karbonādes, jo pārmērīga temperatūra var sabojāt plēvi.

## IETEIKUMI ĒDIENA GATAVOŠANAI

Tālāk norādītie faktori var ietekmēt gatavā ēdiena kvalitāti:

### **Ēdiena izvietošana**

Novietojiet ēdiena biezākās daļas tuvāk trauka ārpusē, plānākās daļas tuvāk centram un vienmērīgi izkārtojiet. Pēc iespējas centieties neuzklāt ēdiena daļas citu uz citas.

### **Gatavošanas ilgums**

Sāciet gatavošanu ar neilga laika iestatījumu; kad tas tuvojas beigām, novērtējiet ēdiena gatavības pakāpi un atbilstoši nepieciešamībai paildziniet laiku. Ēdiena pārcepšana vai pārvārīšana var izraisīt dūmus un ēdiena piedegšanu.

### **Vienmērīga ēdiena gatavošana**

Tādi ēdieni kā vista, hamburgers vai steiks gatavošanas laikā jāapgriež vienu reizi. Atkarībā no ēdiena veida, ja nepieciešams, vienu vai divas reizes apmaisiet to virzienā no trauka ārmalām uz centru.

### **Laujiet ēdienam nostāvēties**

Kad gatavošanas laiks beidzies, atstājiet ēdienu atbilstošu laiku krāsni; tas ļaus pakāpeniski pabeigt gatavošanas ciklu un ēdienam atdzist.

### **Kā noteikt, vai ēdiens ir gatavs**

Ēdiena gatavības pakāpi palīdz noteikt ēdiena krāsa un mīkstuma pakāpe, tostarp:

- garaiņi ceļas no visām ēdiena daļām, ne tikai no tā malām;
- mājputnu gabalu locītavas iespējams pakustināt bez piepūles;
- cūkgaļai vai mājputniem nav redzamas asinis;
- zivju gaļa nav caurspīdīga un ir viegli sadalāma ar dakšiņu

## **Apbrūnināšanas trauks**

Lietojot apbrūnināšanas trauku vai paškarsējošu trauku, vienmēr novietojiet zem tā karstumizturīgu izolatoru, piemēram, porcelāna šķīvi, lai novērstu rotējošās virsmas un gredzena bojāšanos.

## **Mikroviļņu izturīgs plastmasas ietinamais materiāls**

Gatavojot ēdienu ar augstu tauku saturu, neļaujiet plastmasas ietinamajam materiālam saskarties ar pārtiku, jo materiāls var kust.

## **Mikroviļņu izturīgi plastmasas gatavošanas trauki**

Daži gatavošanai mikroviļņu krāsnī paredzētie plastmasas trauki var nebūt piemēroti tādas pārtikas gatavošanai, kam ir augsts tauku un cukura saturs. Tāpat nedrīkst pārsniegt trauka lietošanas pamācībā norādīto uzsildīšanas ilgumu.

# **EKSPLUATĀCIJA**

## **APKOPE**

Pirms zvanīt apkopes dienestam, pārbaudiet tālāk norādītās iespējas.

1. Novietojiet mikroviļņu krāsnī vienu mērglāzi ūdens (aptuveni 150 ml) un cieši aizveriet durtiņas. Ja durtiņas ir kārtīgi aizvērtas, jāieslēdzas mikroviļņu krāsns lampiņai. Ļaujiet krāsnij darboties 1 minūti.
2. Vai mikroviļņu krāsns lampiņa deg?
3. Vai darbojas dzesēšanas ventilators?  
(Pielieciet roku ventilācijas atverēm mikroviļņu krāsns aizmugurē.)
4. Vai rotējošā virsma griežas?

(Rotējošā virsma var griezties pulksteņa rādītāja kustības virzienā vai pretēji tam. Tā ir parasta parādība.)

- Vai ūdens mikroviļņu krāsnī ir uzkaisis?

Ja kaut uz vienu no iepriekš uzdotajiem jautājumiem ir noliedzoša atbilde, pārbaudiet sienas kontaktligzdu un elektrības skaitītāja drošinātājus.

Ja gan kontaktligzda, gan drošinātāji ir kārtībā, SAZINIETIES AR TUVĀKO APSTIPRINĀTO APKOPES DIENESTU.

## **APKOPES DROŠĪBAS PASĀKUMI**

### **Brīdinājums! MIKROVIĻŅU STAROJUMS**

1. Tā kā pēc atslēgšanas augsta sprieguma kondensators joprojām ir uzlādēts, tad pirms pieskaršanās tam īssavienojiet augsta sprieguma kondensatoru ar mikroviļņu krāsns rāmi (lietojiet skrūvgriezi), lai to izlādētu.

2. Tālāk uzskaitītās detaļas apkopes laikā var tikt izņemtas, ļaujot piekļūt iespējamiem zemējumiem ar spriegumu virs 250 V.

- Magnetrons
- Augstsprieguma pārveidotājs
- Augstsprieguma diode
- Augstsprieguma kondensators
- Augstsprieguma diode
- Augstsprieguma drošinātājs

3. Tālāk norādītie apstākļi apkopes laikā var izraisīt pārmērīgu mikroviļņu ietekmi.

- Nepiemērots magnetrona uzstādījums
- Durvju bloķētāja, durtiņu vērtņu un durvju neatbilstība
- Nepiemērots slēdža balsta uzstādījums
- Bojātas durtiņas, durtiņu izolācija vai korpuss

## SPECIFIKĀCIJAS

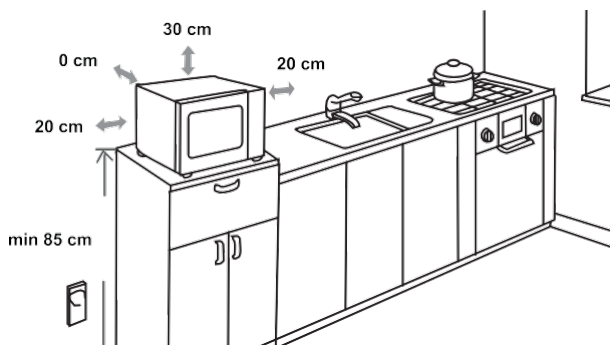
Jaudas patēriņš.....	220-240 V ~50 Hz, 1280 W
Izejas jauda.....	800 W
Darba frekvence.....	2450 MHz
Ārējie izmēri.....	480 x 295 x 352 mm
Krāsns tilpums.....	23 litri
Svars bez iepakojuma.....	aptuv. 11.7kg
Trokšņa līmenis.....	Lc ≤ 61B (A)



**Šī ierīce ir marķēta atbilstoši Eiropas direktīvai 2012/19/ES par elektrisko un elektronisko iekārtu atkritumiem (EEIA).**

**Šis priekšraksts ir visā Eiropā spēkā esoša pamatnostādne attiecībā uz elektrisko un elektronisko iekārtu atkritumu nodošanu un otrreizējo pārstrādi.**

## UZSTĀDĪŠANAS IZMĒRI



## RADIOTRAUCĒJUMI

Mikroviļņu krāsns darbības laikā var izraisīt radio, televizora vai līdzīgas ierīces darbības traucējumus. Ja rodas traucējumi, tos var novērst vai mazināt, izmantojot šādas procedūras.

- a) Notīriet krāsns durtiņu un blīvējumu virsmas.
- b) Novietojiet radio, televizoru u. c. pēc iespējas tālāk no mikroviļņu krāsns.
- c) Lietojiet pareizi uzstādītu radio, TV u. c. antenu, lai nodrošinātu spēcīgu signāla uztveršanu.

MĒS PATURAM TIESĪBAS VEIKT JEBKĀDAS IZMAIŅAS,  
KAS NEIETEKMĒ IERĪCES FUNKCIONALITĀTI.

**Hisense**

ПОЧИТУВАН  
КОРИСНИКУ

Искрено ви благодариме што го купивте овој производ. Веруваме дека наскоро ќе најдете доволно докази дека навистина можете да се потпрете на нашите производи. За да го олесниме користењето на апаратот, го приложуваме ова сеопфатно упатство за употреба.

Упатствата треба да ви помогнат да се запознаете со вашиот нов апарат. Ве молиме, прочитајте ги внимателно пред да го користите апаратот за прв пат.

Во секој случај, проверете дали апаратот ви е испорачан нештетен. Доколку идентификувате каква било штета при транспортот, контактирајте го вашиот продажен претставник или регионалниот магацин од каде што е испорачан производот. Телефонскиот број ќе го најдете на потврдата за прием или испорака.

Ви посакуваме многу задоволство со вашиот нов апарат за домаќинство.



Апаратот е наменет за употреба во домаќинството за загревање храна и пијалаци со помош на електромагнетна енергија; само за внатрешна употреба.

УПАТСТВО ЗА  
УПОТРЕБА

Овие упатства се наменети за корисникот. Тие ја опишуваат печката и како да ја користите. Тие исто така се однесуваат на различни типови на апарати; затоа, може да најдете некои описи на функции кои можеби нема да важат за вашиот апарат.

Го задржуваме правото на какви било промени и грешки во упатствата за употреба.





Никогаш не допирајте ги површините на апаратите за греење или готвење. Тие ќе станат жешки за време на работата. Чувајте ги децата на безбедно растојание. Постои ризик од изгореници!



Микробранова енергија и висок напон! Не отстранувајте го капакот.

**ПРЕДУПРЕДУВАЊЕ!** Апаратот и неговите достапни делови се вжештуваат при употреба. Треба да се внимава да се избегне допирање на грејните елементи. Да се држат подалеку децата помали од 8 години, освен ако не се под постојан надзор. Децата треба да се надгледуваат за да се осигурате дека не си играат со апаратот.

Овој апарат може да го користат деца на возраст од 8 години и постари, и лица со намалени физички, сетилни или ментални способности или недостаток на искуство и знаење, доколку се надзор или им се дадени инструкции за користење на апаратот на безбеден начин и ги разбираат можните опасности. Децата не смеат да си играат со апаратот. Чистење и одржување не смеат да вршат деца освен ако се постари од 8 години и се под надзор.

Чувајте го апаратот и неговиот кабел подалеку од дофат на деца помали од 8 години.

- **ПРЕДУПРЕДУВАЊЕ:** Кога апаратот работи во комбиниран режим, децата треба да ја користат печката само под надзор на возрасен поради температурата што се создава (само за моделот со функција за скара).
- **ПРЕДУПРЕДУВАЊЕ:** Ако вратата или дихтунзите на вратата се оштетени, печката не смее да работи додека не ја поправи стручно лице.
- **ПРЕДУПРЕДУВАЊЕ:** Опасно е за кој било друг, освен за стручно лице, да врши какво било сервисирање или поправка што вклучува отстранување на капакот што штити од изложување на микробранова енергија.
- **ПРЕДУПРЕДУВАЊЕ:** Течностите и другата храна не смеат да се загреваат во затворени садови бидејќи може да експлодираат.
- Децата треба да се надгледуваат за да се осигурате дека не си играат со апаратот.
- Не ги отстранувајте ногарките на печката; не ги блокирајте воздушните отвори на печката.
- Користете само прибор што е погоден за употреба во микробранови печки.
- Кога загревате храна во пластични или хартиени садови, внимавајте на печката поради можност истите да се запалат.
- Ако забележите чад, исклучете го или извадете го од штекер апаратот и држете ја вратата затворена за да го задушите пламенот.
- Греењето на пијалаците во микробранова печка може да резултира со одложено еруптивно вриење. Затоа, мора да се внимава при ракување со садот;

- Содржината на шишињата за хранење и теглите со храна за бебиња треба да се промешува или протресува, а температурата да се проверува пред консумирање за да се избегнат изгореници.
- Јајцата во нивната лушпа и цели тврдо варени јајца не треба да се загреваат во микробранова печка бидејќи може да експлодираат, дури и откако ќе заврши загревањето во микробрановата печка.
- Кога ги чистите површините на вратата, дихтунгот на вратата или отворот на печката, користете само нежни неабразивни сапуни или детергенти кои се нанесуваат со сунѓер или мека крпа.
- Печката треба редовно да се чисти и да се отстранат сите наслаги од храна.
- Неодржувањето на печката во чиста состојба може да доведе до влошување на површината, што може негативно да влијае на животниот век на апаратот и евентуално да доведе до опасна ситуација.
- Ако кабелот за напојување е оштетен, тој мора да биде заменет од производителот, неговиот сервисер или слично квалификувани лица за да се избегне опасност.
- Не дозволувајте кабелот да виси над работ на масата или работната плоча.
- Никогаш не поврзувајте го овој апарат со надворешен прекинувач за тајмер или систем за далечинско управување за да избегнете опасна ситуација.

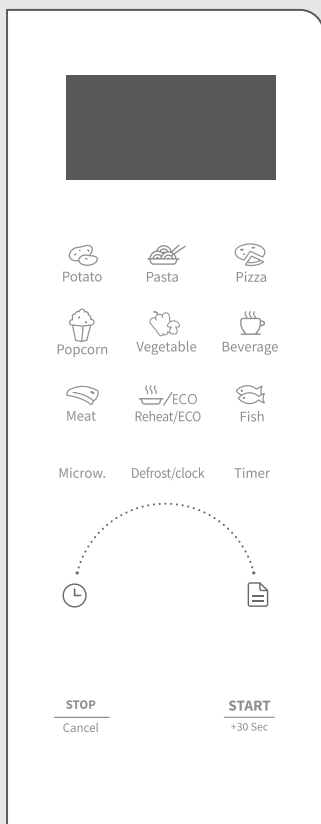
- Никогаш не ја менувајте сијалицата внатре во печката. Секогаш мора да се замени од сервисот на Хајсенс.
- Не чистете го апаратот со средства за чистење на пареа, средства за чистење под висок притисок, остри предмети, абразивни средства за чистење и абразивни сунѓери и отстранувачи на дамки.

Подолу се наведени, како и кај сите апарати, одредени правила што треба да се следат и заштитни мерки за да се обезбеди врвно работење на оваа печка:

1. Секогаш имајте ја стаклената тацна, ротирачките краци, спојката и ротирачкиот прстен на место кога работите со печката.
2. Не користете ја печката за друга намена освен за подготовка на храна, како на пример за сушење облека, хартија или други непрехранбени производи или за стерилизирање.
3. Не работете со печката кога е празна. Ова може да ја оштети печката.
4. Не користете го отворот на печката за каков било вид складирање, како на пример за хартии, книги за готвење итн.
5. Не гответе храна опкружена со мембрана, како што се жолчки од јајце, компири, пилешки црн дроб итн. без претходно да ја пробиете мембраната на неколку места со виљушка.
6. Не ставајте никаков предмет во отворите на надворешното куќиште.
7. Во никој случај не отстранувајте делови од печката, како што се ногарките, спојката, завртките итн.
8. Не гответе храна директно на стаклената тацна. Ставете ја храната во/на соодветен сад за готвење пред да ја ставите во печката. **ВАЖНО** - САДОВИ ЗА ГОТВЕЊЕ КОИ НЕ СМЕЕТЕ ДА ГИ КОРИСТИТЕ ВО ВАШАТА МИКРОБРАНОВА ПЕЧКА:
  - Не користете метални тави или садови со метални рачки.
  - Не користете ништо со метална облога.
  - Не користете жичени стеги за пластични кеси.
  - Не користете меламински садови бидејќи содржат материјал кој ќе ја апсорбира микробрановата енергија. Ова може да предизвика пукање или јагленосување на садовите и ќе го забави процесот на готвење.
  - Не користете Centura прибор за јадење. Глазурата не е погодна за употреба во микробранова печка. Не треба да се користат чаши со рачка на Corelle Livingware .
  - Не гответе во сад со ограничен отвор, како што е шише со капаче или затворено шише за масло, бидејќи таквите садови може да експлодираат ако се загреат во микробранова печка.
  - Не користете обични термометри за месо или кондиторски производи.
  - Постојат термометри достапни специјално за готвење во микробранова печка. Тие може да се користат.

9. Приборот за микробранова печка треба да се користи само во согласност со упатствата на производителот.
10. Не обидувајте се да пржите храна во оваа печка.
11. Запомнете дека микробрановата печка само ја загрева течноста во садот, а не самиот сад. Затоа, иако капакот на садот не е жежок на допир кога ќе се извади од печката, запомнете дека храната/течноста внатре ќе испушта исто количество на параа и/или прскање кога ќе се извади капакот како кај обичното готвење.
12. Секогаш сами испитувајте ја температурата на зготвената храна, особено ако загревате или готвите храна/течност за бебиња. Препорачливо е никогаш да не конзумирате храна/течност директно од печката, туку оставете ја да отстои неколку минути и промешајте ја храната/течноста за рамномерно да се дистрибуира топлината.
13. Храната што содржи мешавина од маснотии и вода, на пр. булјон, треба да стои 30–60 секунди во печката откако ќе се исклучи. Ова е за да се дозволи смесата да се смири и да се спречи клокотот кога ќе се стави лажица во храната/течноста или кога ќе се додаде коцка за супа.
14. Кога подготвувате/готвите храна/течност, запомнете дека има одредени намирници, на пример, божиќни пудинзи, џем и мелено месо, кои многу брзо се загреваат. Кога загревате или готвите храна со висока содржина на масти или шеќер, не користете пластични садови.
15. Садот за готвење може да се загрее поради топлината што се пренесува од загреаната храна. Ова е особено точно ако пластичната обвивка ги покривала горниот дел и рачките на садот. Можеби ќе бидат потребни ракавици за ракување со садот.
16. За да го намалите ризикот од пожар во отворот на печката:
  - a) Не ја преварувајте храната. Внимавајте на микробрановата печка ако во печката се ставаат хартија, пластика или други запаливи материјали за да се олесни готвењето.
  - b) Отстранете ги жичаните стеги од кесите пред да ги ставите кесите во печката.
  - c) Ако материјалите во печката се запалат, држете ја вратата на печката затворена, исклучете ја печката на ѕидниот прекинувач или исклучете го напојувањето од осигурувачот или разводната табла.

# КОНТРОЛЕН ПАНЕЛ



## ЕКРАН

Ги прикажува часовникот, времето за готвење и поставките.

## ОДМРЗНУВАЊЕ (DEFROST)

Користете го ова копче за одмрзнување на храната по време или по тежина.

## МИКРОБР. (MICROW)

Користете го ова копче за да одберете ниво на моќност на печката

## ЧАСОВНИК (CLOCK)

Држете го ова копче 3 сек за да го поставите часовникот ИКОНИ (ICONS)

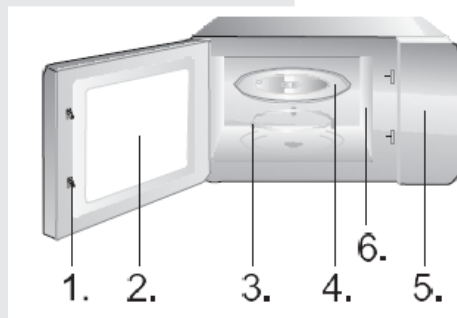
Користете го ова копче за да го поставите времето и тежината на храната и да одберете една од автоматските програми.

## СТОП/ОТКАЖИ (STOP/CANCEL)

Користете го ова копче за да изберете различни опции и функции.

## СТАРТ/+30 SEC (START/+30 SEC)

Користете го ова копче за да започнете брзо готвење 30 секунди, да го зголемите времето за готвење за 30 секунди (со секое притискање) или да ги потврдите поставките за готвење.



1. Безбедносен систем за заклучување на вратите
2. Прозорец на печката
3. Ротациски прстен
4. Стаклена тацна
5. Контролен панел
6. Водилка за брановите (не отстранувајте ја плочата од мика што ја покрива брановата водилка)

Има десет нивоа на микробранова моќност, 100P, 90P, 80P, 70P, 60P, 50P, 40P, 30P, 20P и 10P, соодветно. Свртете го тркалцето подолу за да го зголемите или намалите времето за готвење, временскиот опсег може да се избере од 0:10 до 60:00. Откако ќе го изберете времето, притиснете го копчето „START/+30s“ за да започнете со работа. Кога ќе заврши со работење, се огласува звучен сигнал.

ВИСОКО	100% и 90% излезна моќност	(Применливо за брзо и темелно готвење)
С.Високо	80% и 70% излезна моќност	(Применливо за средно експресно готвење)
Средно	60% и 50% излезна моќност	(Применливо за готвење храна на пареа)
С.Ниско	40% и 30% излезна моќност	(Применливо за одмрзнување храна)
НИСКО	20% и 10% излезна моќност	(Применливо за одржување на топлина)



### ВНИМАНИЕ

- a. Максималното време што може да се постави е 60 минути
- b. Никогаш не ја вклучувајте печката празна.
- c. При максимална моќност на печката, таа автоматски ќе ја намали моќноста по одредено време на готвење за да го продолжи работниот век.
- d. Ако ја вртите храната за време на готвењето, притиснете го копчето **START/+30s** еднаш и претходно поставената програма за готвење ќе продолжи.
- e. Ако имате намера да ја отстраните храната пред да истече поставеното време, притиснете го копчето **STOP/CANCEL** еднаш за да ја избришете претходно поставената програма за да избегнете несакано вклучување при следната употреба



Постојат два режими на одмрзнување, dEF1 и dEF2, соодветно. dEF1 за одмрзнување по тежина и dEF2 за одмрзнување по време. Притиснете го ова копче за да изберете одмрзнување по тежина или по време и на екранот ќе се прикаже „dEF1“ или „dEF2“. Завртете го тркалцето за да изберете тежина на храната или време на одмрзнување. Тежинскиот опсег на dEF1 е од 100 до 1500 g, а максималното време на dEF2 е 60:00. Откако ќе ја изберете тежината или времето за одмрзнување, притиснете го копчето „START/+30s“ да почне да работи. Ќе се огласи звучен сигнал за завршување на операцијата. Режимот за одмрзнување dEF1 по тежина ќе се огласи и за да ја превртите храната за време на одмрзнувањето.

Подолу се наведени совети за одмрзнување:

dEF1	За одмрзнување, тежината се движи од 100 до 1500 g.
dEF2	За одмрзнување, максималното време е 60:00 часот.



### ВНИМАНИЕ

- a. Потребно е да се преврти храната за време на одмрзнувањето за да се одмрзне еднакво.
- b. Обично за одмрзнување ќе треба подолго време отколку при готвењето на храната.
- c. ако храната може да се исече со нож, одмрзнувањето може да се смета за завршено.
- d. Микробрановата печка продира околу 4 см во повеќето видови храна
- e. Одмрзнатата храна треба да се консумира што е можно поскоро, не се препорачува да се врати во фрижидер и повторно да се замрзне.

Во режим на готовност, притиснете и задржете го

копчето „DEFROST/CLOCK“ подолго од 3 секунди за да влезете во менито за поставување на часовникот.

Во исто време, екранот за прикажување трепка за часовите. Часот може да се постави со вртење на тркалцето. По поставувањето на часот, притиснете го копчето „START/+30s“ накратко да се префрлите на режимот за подесување минути.

Минутите може да се постават со вртење на тркалцето. По поставувањето минутите, притиснете го копчето „START/+30s“ повторно за да излезете од режимот за поставување.

Има осум автоматски менија А.1~А.8, Компир, тестенини, пица, пуканки, зеленчук, пијалаци, месо и риба соодветно. Притискајте го копчето „Мени“ постојано за да го изберете саканото мени, а потоа свртете го копчето за да ја изберете тежината на менито. Откако ќе ја изберете тежината за готвење, притиснете го копчето „START/+30s“ за да започнете со работа. Звук на зуење за известување за завршување на операцијата.

Приказ	Вид	Метод
A.1	Компир	Изборот на тежина е 250g, 500g и 750g
A.2	Тестенини	Изборот на тежина е 50g, 100g и 150g
A.3	Пица	Изборот на тежина е 200 g и 400 g
A.4	Пуканки	Изборот на тежина е 100 g
A.5	Зеленчук	Изборот на тежина е 200g, 400g и 600g
A.6	Пијалак	Изборот на тежина е 1 чаша, 2 чаши или 3 чаши, секоја од околу 250 ml.
A.7	Месо	Изборот на тежина е 200g, 400g и 600g
A.8	Риба	Изборот на тежина е 200g, 400g и 600g

## ВНИМАНИЕ

- a. Температурата на храната пред готвење треба да биде 20-25° C . За повисока или пониска температура на храната пред готвењето ќе треба зголемување или намалување на времето за готвење.
- b. Температурата, тежината и обликот на храната во голема мера ќе влијаат на готвењето. Доколку има отстапување од факторот наведен во менито погоре, можете да го прилагодите времето на готвење за најдобар резултат

---

### ТАЈМЕР

Во режим на готовност, притиснете го ова копче за да влезете во интерфејсот за поставки и иконата за функцијата за одбројување и ќе се прикаже „0:00“ на екранот. Завртете го тркалцето за да го поставите времето, максималното време што може да се внесе е 60:00. Откако ќе го поставите времето, притиснете го копчето „START/+30s“ за да започне одбројувањето. Кога ќе заврши одбројувањето ќе се огласи звучен сигнал.

---

### ПОДГРЕВАЊЕ/ЕКО ПОДГРЕВАЊЕ

Функцијата на подгревање служи главно да им олесни на корисниците да ја подгрејат храната според тежината, свртете го копчето за да ја изберете соодветната тежина на храната, а изборот е помеѓу 200гр, 400гр, 600гр, 800гр и 1000гр. Откако ќе изберете тежина, притиснете го копчето „START/+30s“ за да започне со работа. Кога ќе заврши работата, ќе се огласи звучен сигнал завршување на операцијата.

---

### ЕКО

Во режим на готовност, притиснете и задржете го копчето „Reheat“ 3 секунди за да се вклучи ECO, и екранот ќе се исклучи. При вклучување ECO, притиснете кое било копче за да ја исклучите ECO функција.

---

СТОП

При нагодување на поставките за готвење, можете да го притиснете копчето „STOP“ за да ги откажете поставките и да се вратите во состојба на готовност. Додека работи микробрановата печка, можете да го притиснете копчето „STOP“ за да паузирате. Во состојба на готовност, можете повторно да го притиснете копчето „STOP“ за да ја откажете функцијата и да се вратите во состојба на готовност.

---

СТАРТ/+30с

Откако ќе го поставите времето за готвење или тежината на храната, притиснете го копчето „START/+30s“ за веднаш да ја вклучите микробрановата печка. Додека работи, може да го притиснете копчето „START/+30s“ за да го зголемите времето, притиснете еднаш за да зголемите за 30 секунди, но во режимот на мени и режимот за одмрзнување со тежина не може да се прилагоди времето. Во состојба на пауза, може да го притиснете копчето „START/+30s“ за да продолжи со работа микробрановата печка пред режимот на готвење.

---

БРЗО ЗАПОЧНУВАЊЕ

Во режим на подготвеност, откако ќе се стави храната и ќе се затвори вратата, притиснете го копчето „START/+30s“ за брзо да ја вклучите микробрановата печка. Стандардното работно време е 30 секунди. Во процесот на работа, притиснете го копчето „START/+30s“ еднаш за 30 секунди. Звук на зуење за известување за завршување на операцијата.

---

ЗАКЛУЧУВАЊЕ ЗА ДЕЦА

Користете ја оваа функција за заклучување на контролната табла кога ја чистите или за децата да не можат да ја користат рерната без надзор. Сите копчиња се оневозможени во овој режим.

1) Поставете заклучување: во режим на готовност, притиснете и држете го копчето „STOP“ повеќе од 3 секунди, функцијата за заклучување за деца е заклучена и не може да се ракува со сите копчиња на микробрановата печка.

2) Откажете заклучување: во состојба за заклучување за деца, притиснете и држете го копчето „STOP“ повеќе од 3 секунди за да ја откажете функцијата за заклучување за деца

## УПАТСТВО ЗА СООДВЕТНИ САДОВИ

Се препорачува да се користат садови кои се соодветни и безбедни за готвење во микробранова печка. Општо земено, садовите кои се направени од керамика, стакло или пластика отпорна на топлина се погодни за готвење во микробранова печка. Никогаш не користете метални садови за готвење во микробранова печка и комбинирана рерна бидејќи е веројатно да настане искрење. Советувајте се со табелата подолу.

Материјал на садот	Микробранова печка	Белешки
Керамика отпорна на топлина	Да	Никогаш не користете керамика која е украсена со метален раб или глазура
Пластика отпорна на топлина	Да	Не може да се користи за долго време на готвење во
Стакло отпорно на топлина	Да	
Решетка за скара	Не	
Пластична фолија	Да	Не треба да се користи кога се готви месо или котлети затоа што преголемата температура може да ја оштети фолијата

# СОВЕТИ ЗА ГОТВЕЊЕ

Следниве фактори може да влијаат на резултатот од готвењето:

## **Поставеност на храната**

Ставете ги подебелите површини кон надвор од садот, потенкиот дел кон центарот и распоредете рамномерно. Не преклопувајте ја храната ако е можно.

## **Време на готвење**

Започнете со готвење со подесување на пократко време, проценете ја храната откако ќе заврши и продолжете со готвење според реалната потреба. Прекумерното готвење може да резултира со чад и горење на храната.

## **Рамномерно готвење на храната**

Храната како пилешко, хамбургер или стек треба да се преврти еднаш за време на готвењето. Во зависност од видот на храната, доколку е применливо, измешајте ја однадвор кон центарот на садот еднаш или двапати за време на готвењето

## **Оставете да отстои**

По истекот на времето на готвење, оставете ја храната во печката соодветно време, тоа ќе овозможи да го заврши својот циклус на готвење и постепено да се лади.

## **Дали храната е готова**

Бојата и тврдоста на храната помагаат да се утврди дали е зготвена, тие вклучуваат:

- Парча која излегува од сите делови на храната, не само од краевите
- Коските на живината може лесно да се поместуваат
- Од свинското или живината излегува крв
- Рибата е непросирна и лесно може да се исече со виљушка

## **Сад за печење во микробранова печка**

Кога користите сад за печење или самозагревачки сад, секогаш ставајте под него изолатор отпорен на топлина, како што е порцеланска тацна за да спречите оштетување на ротирачката плоча и ротирачкиот прстен.

### **Пластична фолија безбедна за микробранова печка**

Кога готвите храна со висока содржина на масти, не дозволувајте пластичната фолија да дојде во допир со храната бидејќи може да се стопи

### **Пластичен сад за готвење безбеден за микробранова печка**

Некои пластични садови кои се безбедни за микробранова печка можеби не се соодветни за готвење храна со висока содржина на масти и шеќер. Исто така, времето за предзагревање наведено во упатството за садови не смее да се надмине

## ОДРЖУВАЊЕ

### СЕРВИСИРАЊЕ

Ве молиме проверете го следново пред да повикате сервисер.

1. Ставете една шолја вода (околу 150 ml) во стаклена мерица во печката и добро затворете ја вратата. Светилката на рерната треба да се изгасне ако вратата е правилно затворена.

Оставете ја рерната да работи 1 мин.

2. Дали свети светилката на печката?

3. Дали вентилаторот за ладење работи?

(Ставете ја раката врз задните отвори за вентилација.)

4. Дали ротирачката плоча се врти?

(Програмата може да се ротира во насока на налево и надесно. Ова е сосема нормално.)

5. Дали водата во печката е топла?

Ако одговорот на некое од горенаведените прашања е „НЕ“, проверете го сидниот штекер и осигурувачот во разводната кутија.

Ако и сидниот штекер и осигурувачот функционираат правилно, КОНТАКТИРАЈТЕ ГО ВАШИОТ ОВЛАСТЕН СЕРВИСЕН ЦЕНТАР.

### **БЕЗБЕДНОСНИ МЕРКИ ПРИ СЕРВИСИРАЊЕ**

**Внимание:** МИКРОБРАНОВО ЗРАЧЕЊЕ

1. Високонапонскиот кондензатор останува

наполнет по исклучувањето; направете краток спој на негативниот приклучок на ВН кондензатор на шасијата на рерната (употребете шрафцигер) за да го испуштите полнењето пред да го допрете.

2. За време на сервисирањето подолу наведените делови може да се отстранат и да овозможат пристап до потенцијали над 250 V на заземјување.

- Магнетрон
- Високонапонски трансформатор
- Високонапонски кондензатор
- Високонапонска диода
- Високонапонски осигурувач

3. Следниве услови може да предизвикаат непотребна изложеност на микробраново зрачење за време на сервисирањето.

- Неправилно поставување на магнетронот;
- Неправилно усогласување на бравата на вратата, шарката на вратата, и самата врата;
- Неправилно поставување на држачот на прекинувачот;
- Вратата, дихтунгот на вратата или внатрешноста се оштетени.

## СПЕЦИФИКАЦИИ

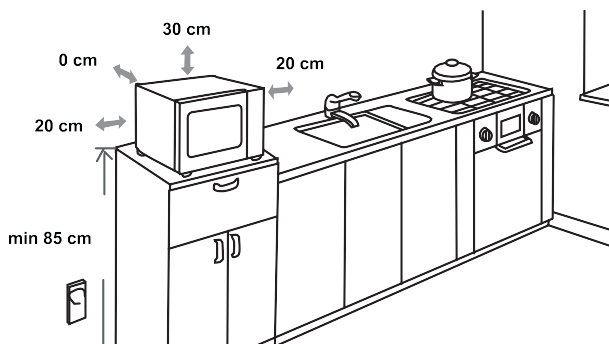
Потрошувачка на енергија .....	220-240V ~50 Hz, 1280W
Излезна моќност .....	800 W
Работна фреквенција .....	2450 MHz
Надворешни димензии .....	480 × 295 × 352 mm
Капацитет на печката .....	23 литри
Тежина сосе пакување .....	Прибл. 11.7 кг
Ниво на бучава .....	Lc < 61 dB (A)



**Овој уред е означен според европската директива 2012/19/EU за отпадна електрична и електронска опрема (ОЕЕО). Ова упатство е рамка на валидноста на враќање и рециклирање на отпадна електрична и електронска опрема ширум Европа.**



## ДИМЕНЗИИ ЗА МОНИТРАЊЕ



## РАДИО ПРЕЧКИ

Микробрановата печка може да предизвика пречки кај вашето радио, ТВ или слична опрема. Кога ќе дојде до пречки, тоа може да се елиминира или намали со следните постапки.

- Исчистете ја вратата и површината за дихтување на печката.
- Ставете го радиото, телевизорот итн. што е можно подалеку од вашата микробранова печка.
- Користете правилно инсталирана антена за вашето радио, ТВ, итн. за да добиете силен прием на сигнал.

**ГО ЗАДРЖУВАМЕ ПРАВОТО ДА НАПРАВИМЕ КАКВИ  
БИЛО ПРОМЕНИ КОИ НЕ ВЛИЈААТ НА  
ФУНКЦИОНАЛНОСТА НА АПАРАТОТ**

# Hisense

