

English

Romanian

Czech

Hungarian

Polish

Hisense

USE AND INSTALLATION INSTRUCTIONS

Thank you very much for purchasing this Air Conditioner. Please read this use and installation instructions carefully before installing and using this appliance and keep this manual for future reference.

TABLE OF CONTENTS

SAFETY PRECAUTIONS.....	2	Normal Sounds.....	25
IDENTIFICATION OF PARTS.....	10	LOCAL AIR CONDITIONER CARE.....	26
AIR CONDITIONER SAFETY.....	14	Draining the Air Conditioner.....	26
INSTALLATION REQUIREMENTS.....	14	Draining the Air Conditioner(Heating models).....	26
Tools and Parts.....	14	Cleaning the Outside.....	26
Location Requirements.....	15	Cleaning the Air Filter.....	26
Electrical Requirements.....	15	Storing After Use.....	26
INSTALLATION INSTRUCTIONS.....	15	TROUBLESHOOTING.....	27
Unpack the Air Conditioner.....	15		
Install Local Air Conditioner(on the window).....	16		
Complete Installation.....	18		
LOCAL AIR CONDITIONER USE	19		
Starting Your Local Air Conditioner	20		
Using the Remote Control.....	21		

SAFETY INSTRUCTIONS

This appliance can be used by children aged from 8 years and above and persons with reduced physical, sensory or mental capabilities or lack of experience and knowledge if they have been given supervision or instruction concerning use of the appliance in a safe way and understand the hazards involved. Children shall not play with the appliance. Cleaning and user maintenance shall not be made by children without supervision.

Children should be supervised to ensure that they do not play with the appliance.

If the supply cord is damaged, it must be replaced by the manufacturer, its service agent or similarly qualified persons in order to avoid a hazard. The appliance shall be installed in accordance with national wiring regulations. The range of external static pressures is -0.2Pa to 0.2Pa. Keep the unit 5m or more apart from combustible surfaces.

Do not operate your air conditioner in a wet room such as a bathroom or laundry room.

SAFEGUARDING THE ENVIRONMENT

This appliance is made of recyclable or re-usable material. Scrapping must be carried out in compliance with local waste disposal regulations. Before scrapping it, make sure to cut off the mains cord so that the appliance cannot be re-used.

For more detailed information on handling and recycling this product, contact your local authorities who deal with the separate collection of rubbish or the shop where you bought the appliance.

SCRAPPING OF APPLIANCE

This appliance is marked according to the European Directive 2012/19/EU, Waste Electrical and Electronic Equipment (WEEE).

This marking indicates that this product should not be disposed with other household wastes throughout the EU. To prevent possible harm to the environment or human health from uncontrolled waste disposal, recycle it responsibly to promote the sustainable reuse of material resources. To return your used device, please use the return and collection systems or contact the retailer where the product was purchased. They can take this product for environmental safe recycling.



Safety precautions

Precautions for using R290 refrigerant

The basic installation work procedures are the same as the conventional refrigerant (R22 or R410A).

However, pay attention to the following points:

CAUTION

1. **Transport of equipment containing flammable refrigerants**
Compliance with the transport regulations
2. **Marking of equipment using signs**
Compliance with local regulations
3. **Disposal of equipment using flammable refrigerants**
Compliance with national regulations
4. **Storage of equipment/appliances**
The storage of equipment should be in accordance with the manufacturer's instructions.
5. **Storage of packed (unsold) equipment**
 - Storage package protection should be constructed such that mechanical damage to the equipment inside the package will not cause a leak of the refrigerant charge.
 - The maximum number of pieces of equipment permitted to be stored together will be determined by local regulations.
6. **Information on servicing**
 - 6-1 **Checks to the area**
Prior to beginning work on systems containing flammable refrigerants, safety checks are necessary to ensure that the risk of ignition is minimised. For repair to the refrigerating system, the following precautions shall be complied with prior to conducting work on the system.
 - 6-2 **Work procedure**
Work shall be undertaken under a controlled procedure so as to minimise the risk of flammable gas or vapour being present while the work is being performed.
 - 6-3 **General work area**
 - All maintenance staff and others working in the local area shall be instructed on the nature of work being carried out. Work in confined spaces shall be avoided.
 - The area around the workspace shall be sectioned off. Ensure that the conditions within the area have been made safe by control of flammable material.
 - 6-4 **Checking for presence of refrigerant**
 - The area shall be checked with an appropriate refrigerant detector prior to and during work, to ensure the technician is aware of potentially flammable atmospheres.
 - Ensure that the leak detection equipment being used is suitable for use with flammable refrigerants, i.e. non-sparking, adequately sealed or intrinsically safe.

Safety precautions

CAUTION

6-5 Presence of fire extinguisher

- If any hot work is to be conducted on the refrigeration equipment or any associated parts, appropriate fire extinguishing equipment shall be available to hand.
- Have a dry powder or CO2 fire extinguisher adjacent to the charging area.

6-6 No ignition sources

- No person carrying out work in relation to a refrigeration system which involves exposing any pipe work that contains or has contained flammable refrigerant shall use any sources of ignition in such a manner that it may lead to the risk of fire or explosion.
- All possible ignition sources, including cigarette smoking, should be kept sufficiently far away from the site of installation, repairing, removing and disposal, during which flammable refrigerant can possibly be released to the surrounding space.
- Prior to work taking place, the area around the equipment is to be surveyed to make sure that there are no flammable hazards or ignition risks. "No Smoking" signs shall be displayed.

6-7 Ventilated area

- Ensure that the area is in the open or that it is adequately ventilated before breaking into the system or conducting any hot work.
- A degree of ventilation shall continue during the period that the work is carried out.
- The ventilation should safely disperse any released refrigerant and preferably expel it externally into the atmosphere.

6-8 Checks to the refrigeration equipment

- Where electrical components are being changed, they shall be fit for the purpose and to the correct specification.
- At all times the manufacturer's maintenance and service guidelines shall be followed. If in doubt consult the manufacturer's technical department for assistance.
- The following checks shall be applied to installations using flammable refrigerants:
 - The charge size is in accordance with the room size within which the refrigerant containing parts are installed;
 - The ventilation machinery and outlets are operating adequately and are not obstructed;
 - If an indirect refrigerating circuit is being used, the secondary circuit shall be checked for the presence of refrigerant;
 - Marking to the equipment continues to be visible and legible. Markings and signs that are illegible shall be corrected;
 - Refrigeration pipe or components are installed in a position where they are unlikely to be exposed to any substance which may corrode refrigerant containing components, unless the components are constructed of materials

Safety precautions

CAUTION

which are inherently resistant to being corroded or are suitably protected against being so corroded.

6-9 Checks to electrical devices

- Repair and maintenance to electrical components shall include initial safety checks and component inspection procedures.
- If a fault exists that could compromise safety, then no electrical supply shall be connected to the circuit until it is satisfactorily dealt with.
- If the fault cannot be corrected immediately but it is necessary to continue operation, an adequate temporary solution shall be used.
- This shall be reported to the owner of the equipment so all parties are advised.
- Initial safety checks shall include:
 - That capacitors are discharged: this shall be done in a safe manner to avoid possibility of sparking;
 - That there no live electrical components and wiring are exposed while charging, recovering or purging the system;
 - That there is continuity of earth bonding.

7. Repairs to sealed components

- During repairs to sealed components, all electrical supplies shall be disconnected from the equipment being worked upon prior to any removal of sealed covers, etc.
- If it is absolutely necessary to have an electrical supply to equipment during servicing, then a permanently operating form of leak detection shall be located at the most critical point to warn of a potentially hazardous situation.
- Particular attention shall be paid to the following to ensure that by working on electrical components, the casing is not altered in such a way that the level of protection is affected.
- This shall include damage to cables, excessive number of connections, terminals not made to original specification, damage to seals, incorrect fitting of glands, etc.
- Ensure that apparatus is mounted securely.
- Ensure that seals or sealing materials have not degraded such that they no longer serve the purpose of preventing the ingress of flammable atmospheres.
- Replacement parts shall be in accordance with the manufacturer's specifications.

NOTE:

The use of silicon sealant may inhibit the effectiveness of some types of leak detection equipment. Intrinsically safe components do not have to be isolated prior to working on them.

8. Repair to intrinsically safe components

- Do not apply any permanent inductive or capacitance loads to the circuit without ensuring that this will not exceed the permissible voltage and current permitted for the equipment in use.
- Intrinsically safe components are the only types that can be worked on while

Safety precautions

CAUTION

live in the presence of a flammable atmosphere. The test apparatus shall be at the correct rating.

- Replace components only with parts specified by the manufacturer.
- Other parts may result in the ignition of refrigerant in the atmosphere from a leak.

9. **Cabling**

- Check that cabling will not be subject to wear, corrosion, excessive pressure, vibration, sharp edges or any other adverse environmental effects.
- The check shall also take into account the effects of aging or continual vibration from sources such as compressors or fans.

10. **Detection of flammable refrigerants**

- Under no circumstances shall potential sources of ignition be used in the searching for or detection of refrigerant leaks.
- A halide torch (or any other detector using a naked flame) shall not be used.

11. **Leak detection methods**

- The following leak detection methods are deemed acceptable for systems containing flammable refrigerants:
 - Electronic leak detectors shall be used to detect flammable refrigerants, but the sensitivity may not be adequate, or may need re-calibration. (Detection equipment shall be calibrated in a refrigerant-free area.)
 - Ensure that the detector is not a potential source of ignition and is suitable for the refrigerant used.
 - Leak detection equipment shall be set at a percentage of the LFL of the refrigerant and shall be calibrated to the refrigerant employed and the appropriate percentage of gas (25 % maximum) is confirmed.
 - Leak detection fluids are suitable for use with most refrigerants but the use of detergents containing chlorine shall be avoided as the chlorine may react with the refrigerant and corrode the copper pipe-work.
 - If a leak is suspected, all naked flames shall be removed/ extinguished.
 - If a leakage of refrigerant is found which requires brazing, all of the refrigerant shall be recovered from the system, or isolated (by means of shut off valves) in a part of the system remote from the leak.
 - Oxygen free nitrogen (OFN) shall then be purged through the system both before and during the brazing process.

12. **Removal and evacuation**

- When breaking into the refrigerant circuit to make repairs – or for any other purpose – conventional procedures shall be used.
- However, it is important that best practice is followed since flammability is a consideration.
- The following procedure shall be adhered to:
 - Remove refrigerant;
 - Purge the circuit with inert gas;

Safety precautions

CAUTION

- Evacuate;
- Purge again with inert gas;
- Open the circuit by cutting or brazing.
- The refrigerant charge shall be recovered into the correct recovery cylinders.
- The system shall be “flushed” with OFN to render the unit safe.
- This process may need to be repeated several times.
- Compressed air or oxygen shall not be used for this task.
- Flushing shall be achieved by breaking the vacuum in the system with OFN and continuing to fill until the working pressure is achieved, then venting to atmosphere, and finally pulling down to a vacuum.
- This process shall be repeated until no refrigerant is within the system. When the final OFN charge is used, the system shall be vented down to atmospheric pressure to enable work to take place.
- This operation is absolutely vital if brazing operations on the pipe-work are to take place.
- Ensure that the outlet for the vacuum pump is not close to any ignition sources and there is ventilation available.

13. Charging procedures

- In addition to conventional charging procedures, the following requirements shall be followed:
 - Ensure that contamination of different refrigerants does not occur when using charging equipment.
 - Hoses or lines shall be as short as possible to minimise the amount of refrigerant contained in them.
 - Cylinders shall be kept upright.
 - Ensure that the refrigeration system is earthed prior to charging the system with refrigerant.
 - Label the system when charging is complete (if not already).
 - Extreme care shall be taken not to overfill the refrigeration system.
- Prior to recharging the system it shall be pressure tested with OFN.
- The system shall be leak tested on completion of charging but prior to commissioning.
- A follow up leak test shall be carried out prior to leaving the site.

14. Decommissioning

- Before carrying out this procedure, it is essential that the technician is completely familiar with the equipment and all its detail.
- It is recommended good practice that all refrigerants are recovered safely.
- Prior to the task being carried out, an oil and refrigerant sample shall be taken in case analysis is required prior to re-use of reclaimed refrigerant. It is essential that electrical power is available before the task is commenced.
 - a) Become familiar with the equipment and its operation.
 - b) Isolate system electrically.

Safety precautions

CAUTION

- c) Before attempting the procedure ensure that:
 - Mechanical handling equipment is available, if required, for handling refrigerant cylinders;
 - All personal protective equipment is available and being used correctly;
 - The recovery process is supervised at all times by a competent person;
 - Recovery equipment and cylinders conform to the appropriate standards.
- d) Pump down refrigerant system, if possible.
- e) If a vacuum is not possible, make a manifold so that refrigerant can be removed from various parts of the system.
- f) Make sure that cylinder is situated on the scales before recovery takes place.
- g) Start the recovery machine and operate in accordance with manufacturer's instructions.
- h) Do not overfill cylinders. (No more than 80 % volume liquid charge).
- l) Do not exceed the maximum working pressure of the cylinder, even temporarily.
- j) When the cylinders have been filled correctly and the process completed, make sure that the cylinders and the equipment are removed from site promptly and all isolation valves on the equipment are closed off.
- k) Recovered refrigerant shall not be charged into another refrigeration system unless it has been cleaned and checked.

15. Labelling

- Equipment shall be labelled stating that it has been de-commissioned and emptied of refrigerant.
- The label shall be dated and signed.
- Ensure that there are labels on the equipment stating the equipment contains flammable refrigerant.

16. Recovery

- When removing refrigerant from a system, either for servicing or decommissioning, it is recommended good practice that all refrigerants are removed safely.
- When transferring refrigerant into cylinders, ensure that only appropriate refrigerant recovery cylinders are employed.
- Ensure that the correct number of cylinders for holding the total system charge is available.
- All cylinders to be used are designated for the recovered refrigerant and labelled for that refrigerant (i.e. special cylinders for the recovery of refrigerant).
- Cylinders shall be complete with pressure relief valve and associated shut-off valves in good working order.
- Empty recovery cylinders are evacuated and, if possible, cooled before recovery occurs.
- The recovery equipment shall be in good working order with a set of

Safety precautions

CAUTION

- instructions concerning the equipment that is at hand and shall be suitable for the recovery of flammable refrigerants.
- In addition, a set of calibrated weighing scales shall be available and in good working order.
 - Hoses shall be complete with leak-free disconnect couplings and in good condition.
 - Before using the recovery machine, check that it is in satisfactory working order, has been properly maintained and that any associated electrical components are sealed to prevent ignition in the event of a refrigerant release.
 - Consult manufacturer if in doubt.
 - The recovered refrigerant shall be returned to the refrigerant supplier in the correct recovery cylinder, and the relevant Waste Transfer Note arranged.
 - Do not mix refrigerants in recovery units and especially not in cylinders.
 - If compressors or compressor oils are to be removed, ensure that they have been evacuated to an acceptable level to make certain that flammable refrigerant does not remain within the lubricant.
 - The evacuation process shall be carried out prior to returning the compressor to the suppliers.
 - Only electric heating to the compressor body shall be employed to accelerate this process.
 - When oil is drained from a system, it shall be carried out safely.

CAUTION





- When moving or relocating the air conditioner, consult experienced service technicians for disconnection and reinstallation of the unit.
- Do not place any other electrical products or household belongings under indoor unit or outdoor unit. Condensation dripping from the unit might get them wet, and may cause damage or malfunction of your property.
- Do not use means to accelerate the defrosting process or to clean, other than those recommended by the manufacturer.
- The appliance shall be stored in a room without continuously operating ignition sources (for example, open flames, an operating gas appliance or an operating electric heater).
- Do not pierce or burn.
- Be aware that refrigerants may not contain an odor.
- To keep ventilation openings clear of obstruction.
- The appliance shall be stored in a well-ventilated area where the room size corresponds to the room area as specified for operation.
- The appliance shall be stored in a room without continuously operating open flames (for example an operating gas appliance) and ignition sources (for example an operating electric heater).
- The appliance shall be stored so as to prevent mechanical damage from occurring.

Safety precautions

CAUTION

- Any person who is involved with working on or breaking into a refrigerant circuit should hold a current valid certificate from an industry-accredited assessment authority, which authorises their competence to handle refrigerants safely in accordance with an industry recognised assessment specification.
- Servicing shall only be performed as recommended by the equipment manufacturer.
- Maintenance and repair requiring the assistance of other skilled personnel shall be carried out under the supervision of the person competent in the use of flammable refrigerants.
- Do not use means to accelerate the defrosting process or to clean, other than those recommended by the manufacturer.
- Appliance shall be installed, operated and stored in a room with a floor area larger than: +AP-09C*4GN*S0*(8.2m²), +AP-09H*4GN*S0*(8.2m²)
+AP-12C*4GQ*S0*(14.5m²), +AP-12H*4GQ*S0*(14.5m²)
- The pipe-work shall be complied with national gas regulations.
- Spaces where refrigerant pipes shall be compliance with national gas regulations.
- Servicing shall be performed only as recommended by the manufacturer.
- All working procedure that affects safety means shall only be carried by competent persons.
- The maximum refrigerant charge amount is 0.936 kg.
- Mechanical connectors used indoors shall comply with ISO 14903. When mechanical connectors are reused indoors, sealing parts shall be renewed. When flared joints are reused indoors, the flare part shall be re-fabricated.
- The installation of pipe-work shall be kept to a minimum.
- Mechanical connections shall be accessible for maintenance purposes.

Explanation of symbols displayed on the indoor unit or outdoor unit.

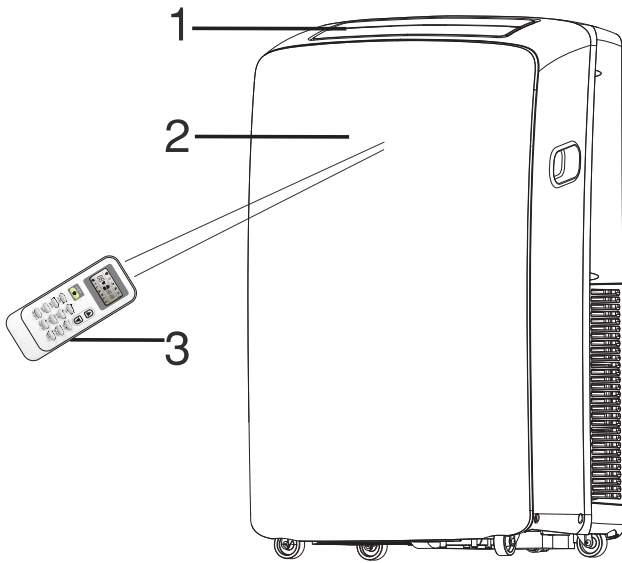
 Caution, risk of fire	WARNING	This symbol shows that this appliance uses a flammable refrigerant. If the refrigerant is leaked and exposed to an external
	CAUTION	This symbol shows that the operation manual should be read carefully.
	CAUTION	This symbol shows that a service personnel should be handling this equipment with reference to the installation manual.
	CAUTION	This symbol shows that information is available such as the operating manual or installation manual.

Fuse parameter of the machine:

+AP-09C*4GN*S0*(T3.15A, 250V), +AP-09H*4GN*S0*(T3.15A, 250V)
+AP-12C*4GQ*S0*(T3.15A, 250V), +AP-12H*4GQ*S0*(T3.15A, 250V)

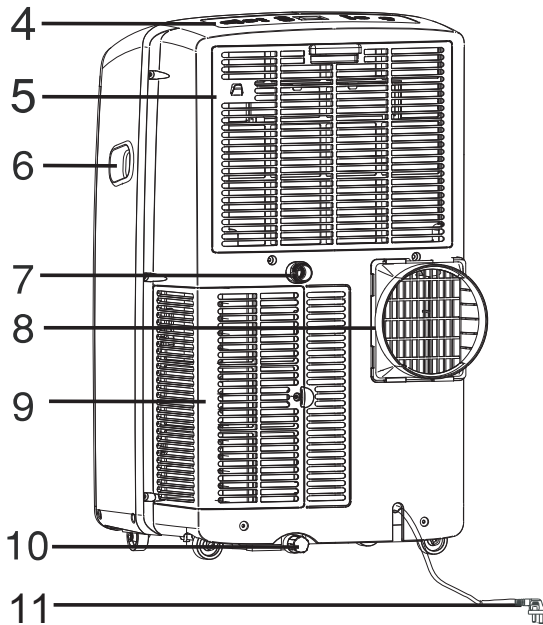
IDENTIFICATION OF PARTS

• Front

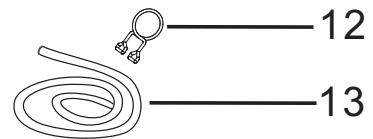


- 1 Cool air outlet
- 2 Signal receptor
- 3 Remote control
- 4 Control panel
- 5 Evaporator air intake
- 6 Transport handle
- 7 Secondary drain port
- 8 Air outlet hose
- 9 Condenser air intake
- 10 Primary drain port

• Back



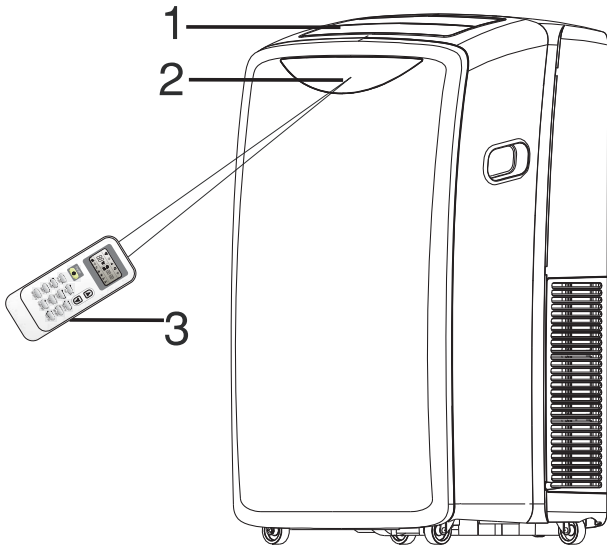
- 11 Power supply
(May differ from the one shown)
- 12 Drain hose clip (Heat pump models)
- 13 Drain hose (Heat pump models)



⚠ The figures in this manual are based on the external view of a standard model.
They may differ from that of the air conditioner you have selected.

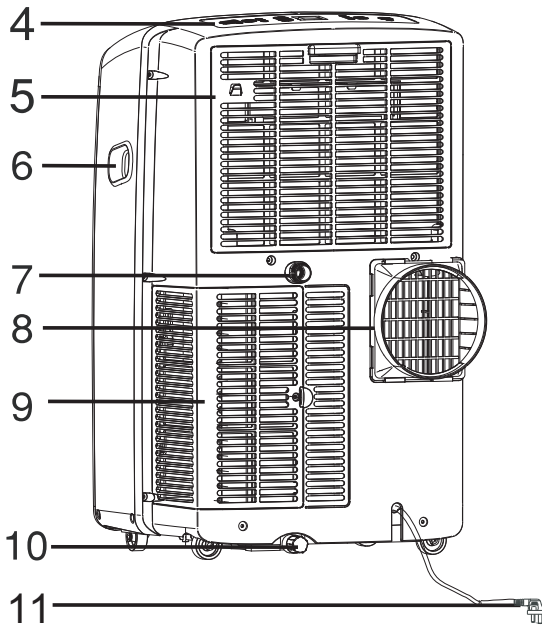
IDENTIFICATION OF PARTS

• Front

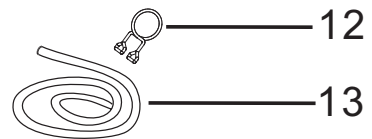


- 1 Cool air outlet
- 2 Signal receptor
- 3 Remote control

• Back



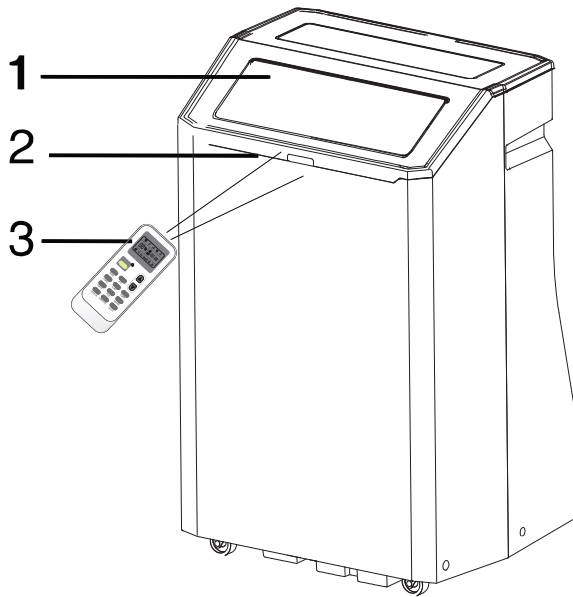
- 4 Control panel
- 5 Evaporator air intake
- 6 Transport handle
- 7 Secondary drain port
- 8 Air outlet hose
- 9 Condenser air intake
- 10 Primary drain port
- 11 Power supply
(May differ from the one shown)
- 12 Drain hose clip (Heat pump models)
- 13 Drain hose (Heat pump models)



⚠ The figures in this manual are based on the external view of a standard model.
They may differ from that of the air conditioner you have selected.

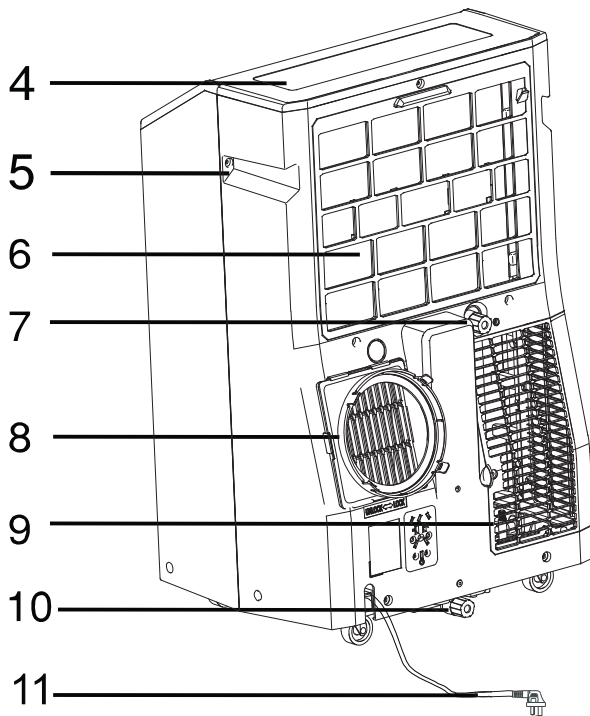
IDENTIFICATION OF PARTS

• Front

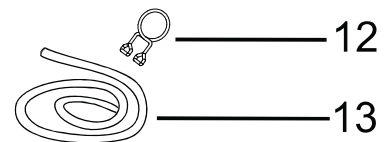


- 1** Cool air outlet
- 2** Signal receptor
- 3** Remote control
- 4** Control panel
- 5** Transport handle
- 6** Evaporator air intake
- 7** Secondary drain port
- 8** Air outlet hose coupling
- 9** Condenser air intake

• Back



- 10** Primary drain port
- 11** Power cord
(May differ from the one shown)
- 12** Drain hose clip (Heat pump models)
- 13** Drain hose (Heat pump models)



⚠ The figures in this manual are based on the external view of a standard model.
They may differ from that of the air conditioner you have selected

INSTALLATION REQUIREMENTS

Tools and Parts

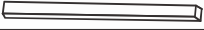





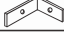





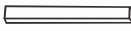




Gather the required tools and parts before starting installation. Read and follow the instructions provided with any tools listed here.

Tools needed

- Phillips screwdriver
- Scissors
- Pencil
- Cordless drill and 1/8" bit

Parts supplied

The following parts are supplied with the portable Air conditioner.

Part	Description	Quantity
	A. Foam seal	1 pc
	B. Coupling	1 pc
	C. Flexible exhaust hose	1 pc
	D. Window exhaust adapter	1 pc
	E. Rivets	4 pc
	F. Screws	4 pc
	G. Window-lock bracket	2 pc
	H. Outer slider section with vent	1 pc
	I. Inner slider section-short	1 pc
	J. inner slider section	1 pc
	K. Outer slider section	1 pc
	L. Foam seal-long	2 pc
	M. Foam seal-short	2 pc
	N. Drain hose (Heat pump models)	1 pc
	O. Drain hose clip (Heat pump models)	1 pc
	P. Remote control	1 pc
	Q. Standard AAA (1.5 volts) batteries	2 pc

Note

MERCURY FREE SUPER HEAVY DUTY R03 UM-4 SIZE AAA 1.5V
BEST USED BEFORE DATE CODE (MONTH-YEAR)
ON THE BOTTOM

Do Not Mix Old And New Batteries. Do Not Mix Alkaline,
Standard (Carbon - Zinc), Or Rechargeable (Nickel
- Cadmium) Batteries

Caution for ingestion
The battery may cause suffocation if swallowed by children

Non-rechargeable batteries are not to be recharged

Exhausted batteries are to be removed from the product

DO NOT DISPOSE OF BATTERIES IN FIRE. BATTERIES MAY EXPLODE OR LEAK.

AIR CONDITIONER SAFETY

You safety and the safety of others are very important.

We have provided many important safety messages in this manual and on your appliance. Always read and obey all safety messages.



This is the safety alert symbol.

This symbol alerts you to potential hazards that can kill or hurt you and others.

All safety messages will follow the safety alert symbol and either the word "DANGER" or "WARNING". These words mean:

 **DANGER**

You can be killed or seriously injured if you don't immediately follow instructions.

 **WARNING**

You can be killed or seriously injured if you don't follow instructions.

All safety messages will tell you what the potential hazard is, tell you how to reduce the chance of injury, and tell you what can happen if the instructions are not followed.

IMPORTANT SAFETY INSTRUCTIONS

WARNING: To reduce the risk of fire, electrical shock or injury when using your air conditioner, follow these basic precautions:

- Plug into a grounded 3 prong outlet.
- Do not use an extension cord.
- Do not remove ground prong.
- Unplug air conditioner before servicing.
- Do not use an adapter.
- Use two or more people to move and install air conditioner.

SAVE THESE INSTRUCTIONS

DISPOSING OF THE UNIT

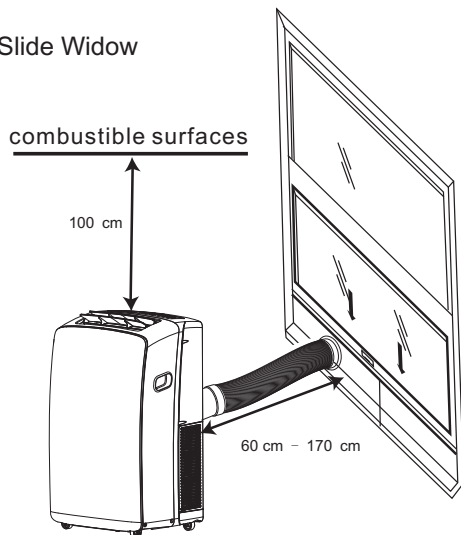
- Before throwing the device, it is necessary to pull back the battery cells and get rid of them safely for recycling reasons.
- When you need to dispose of the unit consult our dealer. If pipes are removed incorrectly, refrigerant may blow out and come into contact with your skin, causing injury. Releasing refrigerant into the atmosphere also damages the environment. Please recycle or dispose of the packaging material for product in an environmentally responsible manner.
- Never store or ship the air conditioner upside down or sideways to avoid damage to the compressor.
- The appliance is not intended for use by young children or infirm persons without supervision. Young children should be supervised to ensure that they do not play with the appliance.

Location Requirements

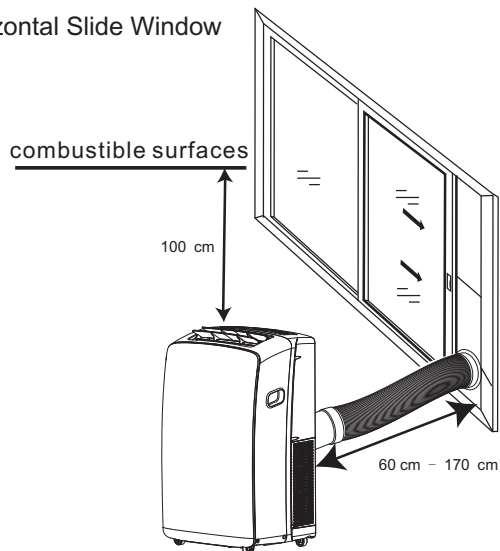
NOTES:

- The flexible exhaust hose allows placement of the air conditioner between 60 cm and 170 cm from window or door. For appliances with supplementary heaters, the minimum clearance from the appliances to combustible surfaces is 100cm.
- Portable air conditioners are designed as supplemental cooling to local areas within a room.

Vertical Slide Window



Horizontal Slide Window



NOTES:

- To ensure proper ventilation, keep the required distance from the return air outlet to the wall or other obstacles at least 60 cm.
- Do not block the air outlet.
- Provide easy access to the grounded 3 prong outlet.

Electrical Requirements

⚠ WARNING

Electrical Shock Hazard

Plug into a grounded 3 prong outlet.

Do not remove ground prong.

Do not use an adapter.

Do not use an extension cord.

Failure to follow these instructions can result in death, fire, or electrical shock.

- The portable air conditioner should be connected to a 220-240V, 50 HZ, 20-amp fuse grounded 3 prong outlet.
- The use of a time-delay fuse or time-delay circuit breaker is recommended.
- All wiring must comply with local and the national electrical codes and be installed by a qualified electrician. If you have any questions, contact a qualified electrician.

INSTALLATION INSTRUCTIONS

Unpack the Air Conditioner

⚠ WARNING

Excessive Weight Hazard

Use two or more people to move and install air conditioner.

Failure to do so can result in back or other injury.

- Do not use sharp instruments, rubbing alcohol, flammable fluids, or abrasive cleaners to remove tape or glue. These products can damage the surface of your air conditioner.
- Handle the air conditioner gently.

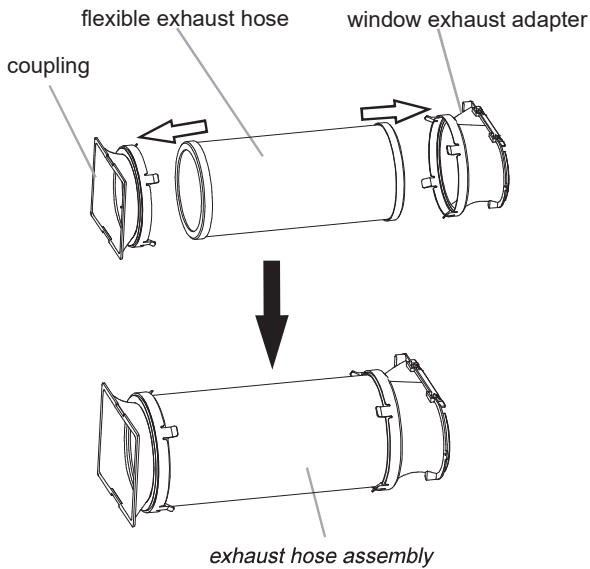
Remove packaging materials

- Remove and dispose of/recycle packaging materials.
- Remove tape and glue residue from surfaces before turning on the air conditioner. Rub a small amount of liquid dish soap over the adhesive with your fingers. Wipe with warm water and dry.

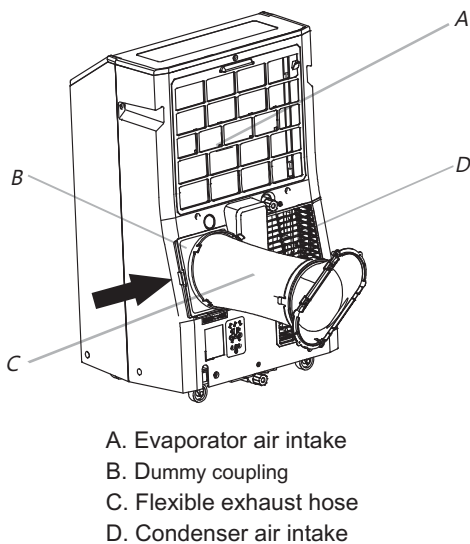
Install Portable Air Conditioner (on the window)

Install Exhaust Hose and Adapter

1. Roll the air conditioner to selected location. see "Location Requirements."
2. Preparing the exhaust hose assembly:
Press the coupling and the window exhaust adapter into the flexible exhaust hose. Both the coupling and window exhaust adapter have integral clips that snap onto the hose.



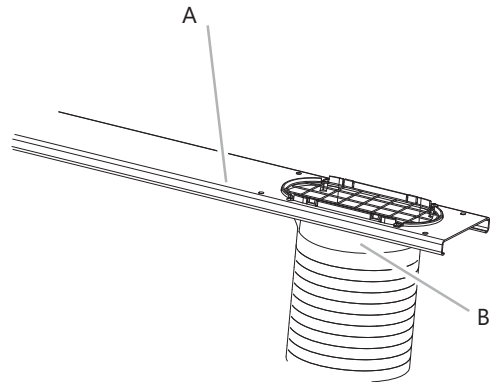
3. Insert the dummy coupling into the slot on the back of the air conditioner.
4. Slide down to lock the hose into place.



Window Installation

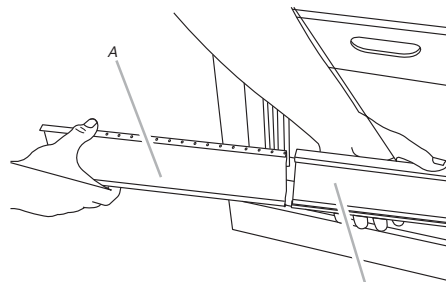
Your window slider kit has been designed to fit most standard vertical and horizontal window applications. Roll the air conditioner to selected location. see "Location Requirements."

1. Insert the window exhaust adapter into the slot on the window slider kit.



A. Window slider kit
B. Window exhaust adapter

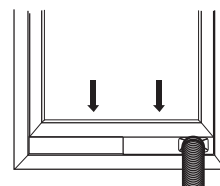
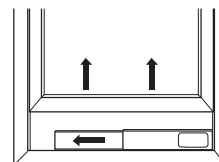
2. Open the window.
3. Measure the window opening.
 - If the window opening is too narrow for the window slider kit, remove the inner slider section from the window slider kit.



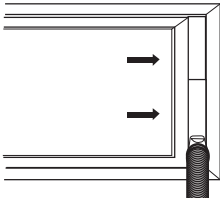
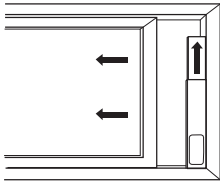
A. Inner slider section
B. Outer slider section

- Using a saw, cut the inner slider section to fit the window opening.
- Slide the inner slider section into the outer slider section of the window slider kit.

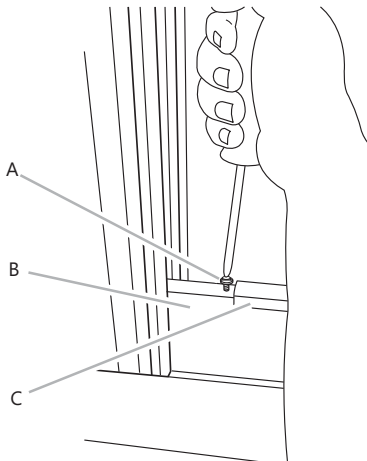
4. Place the window slider kit into the window, extending it to fit the width of the window. Be sure the rain cover is on the outside of the window.



NOTE: For casement window installation, the window slider kit may be installed vertically with the window slider kit opening at the bottom.

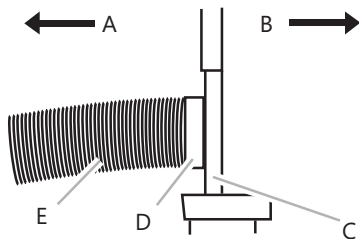


5. Inset $\frac{1}{2}$ " screw (provide 2) into the hole in the inner slider section that is closest to the end of the outer slider section of



- A. $\frac{1}{2}$ " screw (provide 2)
- B. Inner slider section
- C. Outer slider section

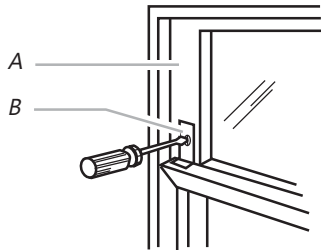
6. Close the window onto the window slider kit to secure.



- A. To portable air conditioner
- B. Outdoors
- C. Window slider kit
- D. Window exhaust adapter
- E. Flexible exhaust hose

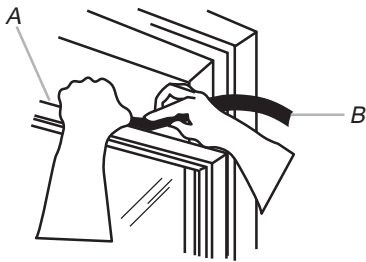
Complete Installation

1. Place the window-lock bracket on top of the lower window and against the upper window sash.
2. Use 1/8" drill bit to drill a starter hole through the hole in the bracket.
3. Attach the window-lock bracket to the window sash with wood screw(provide 4) to secure the window in place.




A. Upper window sash
B. Window-lock bracket

4. Insert the foam seal behind the top of the lower window sash and against the glass of the upper window.



A. Top of lower window sash
B. Foam seal

⚠ WARNING	
	
Electrical Shock Hazard	
Plug into a grounded 3 prong outlet.	
Do not remove ground prong.	
Do not use an adapter.	
Do not use an extension cord.	
Failure to follow these instructions can result in death, fire, or electrical shock.	

5. Plug into a grounded 3 prong outlet.

LOCAL AIR CONDITIONER USE

Operating your local air conditioner properly helps you to obtain the best possible results.

This section explains proper air conditioner operation.

IMPORTANT:

- The air conditioner display shows the setting temperature.
- Only in standby mode the display shows ambient temperature
- When changing modes while the air conditioner is operation, the compressor will stop for 3 to 5 minutes before

- If a button is pressed during this time, the compressor will not restart for another 3 to 5 minutes.
- In Cooling or Dry mode, the compressor and condenser fan will stop when the room temperature reaches the set temperature.

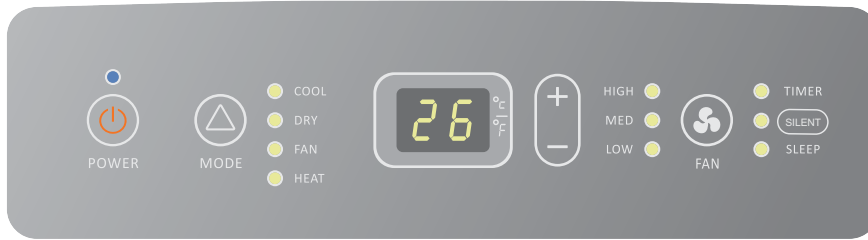
NOTE: In the event of a power failure, your air conditioner will operate at the previous settings when the power is restored.

◆ Operating condition

COOLING	The best room temperature for the appliance work is 21°C~35°C
HEATING	The best room temperature for the appliance work is 7°C~20°C
DRY	The best room temperature for the appliance work is 19°C~35°C

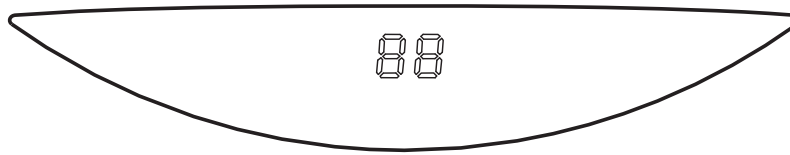
The temperature of some products is allowed beyond the range. In specific situation, please consult the merchant. If the air conditioner runs in COOLING or DRY mode withdoor or window opened for a long time when relative humidity is above 80%,dew may drip down from the outlet.

Starting Your Local Air Conditioner



NOTE: The symbols may be different from these models, but the functions are similar.

Front display



NOTE: The figures in this manual are based on the external view of a standard model. They may differ from that of the air conditioner you have selected.

1. Select the mode. See "MODE".
2. Select the fan speed. See "FAN".
3. Set the temperature. See "TEMPERATURE".
4. Press POWER button to start the air conditioner.



POWER

NOTE:

When the air conditioner is turned on, it will run according to the previous setting.

Only if the unit is operated in UNLIKELY VERY HUMID air, water will be collected in the container inside the unit. If the water container is full, the air conditioner will stop. The screen will display "E5" to inform you to empty the internal container.

Mode

Operating modes:

1. Press and release MODE until you see the symbol flashes for the desired setting.



MODE

2. Choose Cooling, Dry, Fan Only or Heating.

Cooling-Cools the room. Press FAN to select High, Mid or Low. Press the Plus or Minus button to adjust the temperature.



COOL

Dry-Dries the room. The air conditioner automatically selects the temperature. The fan runs on Low speed only.

NOTE: Dry mode should not be used to cool the room.



DRY

Fan Only-Only the fan runs. Press FAN to select High, Mid or Low.



FAN

Heating-heats the room. Press FAN to select high, Mid or Low. Press the PLUS or MINUS button to adjust the temperature.

NOTE: Heating is NOT available for cooling only air conditioner.



HEAT

Fan Speed

1. Press and release FAN to choose the desired fan speed.



FAN

2. Choose High, Mid or Low.

Auto-automatically controls the fan speed depending on the current room temperature and temperature control setting.

High-for maximum fan speed



HIGH

Mid-for normal fan speed



MED

Low-for minimum fan speed



LOW

Temperature

Press the PLUS button to raise the temperature. Press the PLUS button once to increase the set temperature by 1°C.



Press the MINUS button to lower the temperature. Press the MINUS button once to decrease the set temperature by 1°C.



NOTE:

In the Cooling mode, the temperature can be set between 16°C and 30°C.

In Fan Only mode, the temperature cannot be set.

SILENT

Press SILENT button to start the silent mode.

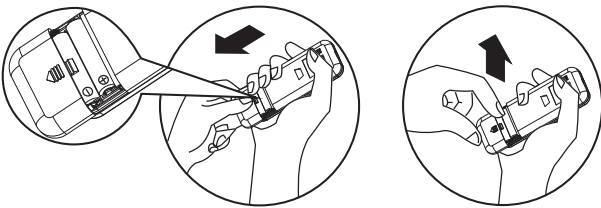


When the SILENT light on the control panel lights, the silent mode turn on.

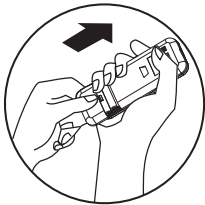
Using the Remote Control

Insert the Batteries

1. Remove the battery cover to the arrow direction.



2. Insert new batteries making sure that the (+) and (-) of battery are matched correctly.
3. Reattach the cover by sliding it back into position.



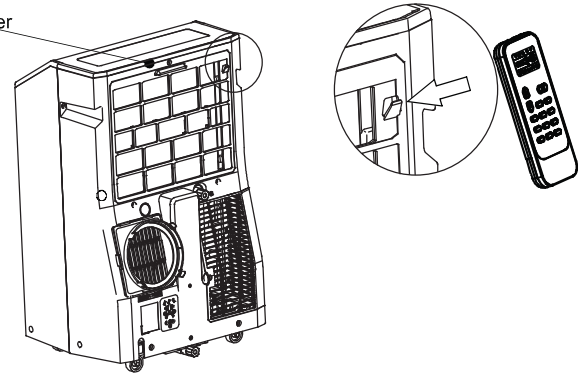
NOTE:

- Use 2 LR03 AAA(1.5volt) batteries. Do not use rechargeable batteries. Replace batteries with new ones of the same type when the display becomes dim, or after 6 months.
- If you reload batteries over after removing the old ones, you will miss the presetting and the timer will go back to Zero.

Storage trip

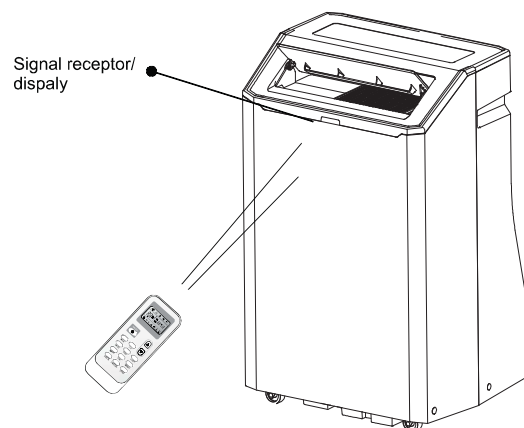
The clip on the back of the unit can be used to store the remote control.

Holder



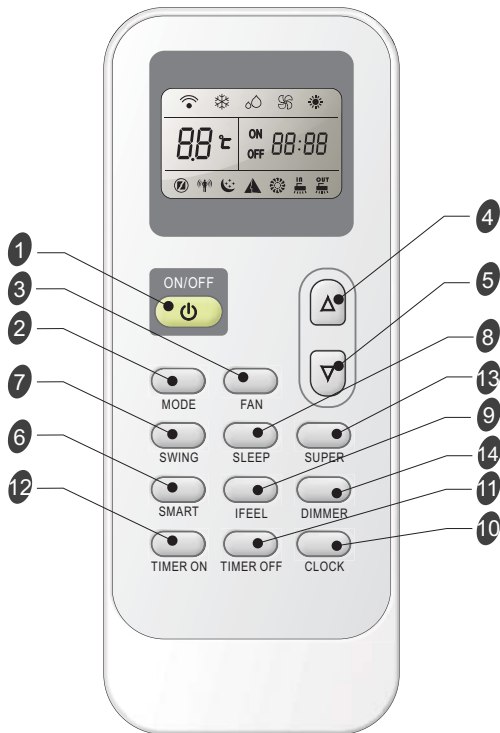
How to Use

To operate the room air conditioner, aim the remote controller to the signal receptor. The remote control will operate the air conditioner at a distance of up to 23' (7m) when pointing at signal receptor of the air conditioner.



Remote control

NOTE: Remote control may differ in appearance.



Button and Function

1		ON/OFF	8		SLEEP
2		MODE	9		IFEEL
3		FAN	10		CLOCK
4		UP	11		Timer Off
5		DOWN	12		Timer On
6		SMART	13		SUPER
7		SWING	14		DIMMER

Indication symbols

Indication symbols on LCD:

	Cooling indicator		Auto fan speed
	Dry indicator		High fan speed
	Fan only indicator		Medium fan speed
	Heating indicator		Low fan speed

	Smart indicator		Signal transmit.
	Sleep indicator	ON 88:88 Display set timer OFF 88:88 Display current time	
	Ifeel indicator		
	Super indicator	88 °C	Display set temperature

Power On or Off

Press ON/OFF button to turn on or off the unit



- NOTE:**
- Changing modes during operating. Sometimes the unit does not response at once. Wait 3 minutes.
 - Wait 3 minutes before restarting the appliance.

Mode

- Press MODE repeatedly until you see the symbol flashes for the desired setting.



MODE

- Choose Cooling, Dry, Fan Only and heating.
 - Cooling-Cools the room. Press FAN to select AUTO, HIGH, MID or LOW. Press the UP or DOWN button to adjust the temperature.



- Dry-Dries the room. The air conditioner automatically selects the temperature. The fan runs on Low speed only.
NOTE: Dry mode should not be used to cool the room. A decrease or rise of up to 2°C can be set with the remote controller if you still feel uncomfortable.



- Fan Only-Only the fan runs. Press FAN button to adjust fan speed.



NOTE: Auto fan speed cannot be selected in Fan Only mode.

- Heating-Heats the room. Press FAN to select the fan speed. Press the up or down TEMP button to adjust the temperature.



SMART Mode

Press the SMART button, Smart mode (fuzzy logic operation) is directly regardless of the unit is on or off. In this mode, temperature and fan speed are automatically set based on the actual room temperature.

To cancel Smart Mode, just press the MODE button.



Operation mode and temperature are determined by indoor temperature.




With Heater models

Indoor temperature	Operation mode	Target temperature
21°C or below	HEATING	22°C
21-23°C	FAN ONLY	
23-26°C	DRY	Room temperature decrease 2°C after operate for 3 minutes
Over 26°C	COOLING	26°C

Cooling only models

Indoor temperature	Operation mode	Target temperature
23°C or below	FAN ONLY	
23-26°C	DRY	Room temperature decrease 2°C after operate for 3 minutes
Over 26°C	COOLING	26°C

NOTE: Temperature, airflow and direction are controlled automatically in smart mode. However, a decrease or rise of up to 2°C can be set with the remote controller if you still feel uncomfortable.

What you can do in  mode		
Your feeling	Button	Adjustment
Uncomfortable because of unsuitable air flow volume.	 FAN	Indoor fan speed alternates among High, Medium and Low each time this button is pressed.
Uncomfortable because of unsuitable flow direction.	 SWING	Press it once, the louver swings to change airflow direction. Press it again, swings stops.

SUPER

SUPER button is used to start or stop fast cooling or heating.

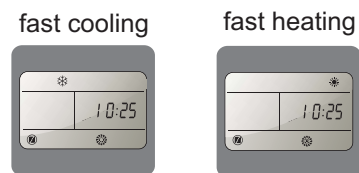
1. Press SUPER button. The air conditioner automatically sets the fan speed to High and the temperature to 16°C. Fast heating operates at auto fan speed, changing the set temperature automatically to 30°C.



2. To turn off Super control, press any button on the remote control or control panel except Timer On, Timer Off, Clock, Dimmer, lfeel and Swing.

NOTE:

- In the SUPER mode you can set airflow direction or timer.
- SMART mode are not available in SUPER mode.
- SUPER button is ineffective in SMART mode.



Fan Speed

1. Press FAN button, Choose desired fan speed.



- Auto-Automatically controls fan speed depending on current room temperature and temperature control setting.

NOTE: Auto fan speed cannot be selected in Fan Only mode.



- High for maximum fan speed



- Mid for normal fan speed

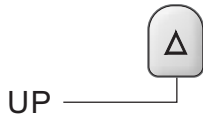


- Low for minimum fan speed



Temperature

- Press the UP button to raise the temperature. Press the UP button once to increase the set temperature by 1°C.



- Press the DOWN button to lower the temperature. Press the DOWN button once to decrease the set temperature by 1°C.



NOTES:

- In the Cooling and Heating mode, the temperature can be set between 16°C and 30°C.
- In Fan Only mode, the temperature cannot be set.

Sleep mode

SLEEP mode can be set in Cooling, Heating or Dry operation mode. This function gives you a more comfortable environment for sleep.



NOTE:

- The appliance will stop operation automatically after operating for 8 hours.
- Fan speed is automatically set at low speed.
- In the Cooling mode, if the current room temperature is below 26°C, the temperature will automatically increase 1°C during the first hour after Sleep control is activated, then remain the same. If room temperature is 26°C or above, set temperature will not change.
- In Heating mode, set temperature will decrease by 3°C at most for 3 hours constantly, then keeps steady.

1. Press MODE to select Cooling, Heating or Dry.

NOTE: Sleep control cannot be selected when Fan Only or SMART is selected.

2. Press the UP or DOWN button to set the temperature.
3. Press SLEEP. After 5 seconds, the lights on the control panel display will dim.

NOTE: The temperature and airflow direction may be adjusted during Sleep control. The fan speed is automatically set to Low speed. After 5 seconds, the lights on the control panel display will dim again.

4. To turn off Sleep control, press SLEEP, MODE, FAN, ON/OFF, SUPER or wait 8 hours for Sleep control to turn off automatically.

NOTE: The air conditioner will return to previous settings after Sleep control is turned off.

I FEEL

The temperature sensor built in remote controller is activated. It can sense its surrounding temperature, and transmit the signal back the unit. The unit can adjust the temperature so as to provide maximum comfort.



NOTE:

Used to set IFEEL mode operation. Press it once, the IFEEL function will be started. Press it again, the IFEEL function will be shut off. If the IFEEL function can't be shut off, please try to press this button about 5 seconds.

Advice to put the remote controller in the place where the indoor unit receive signal easily.

Advice to cancel the IFEEL mode so as to save energy when stopping the air conditioner.



DIMMER

Press the DIMMER button to turn off the light and the display in the unit.



NOTE:

- When the light is off, receive signal will turn on the light again.

Clock function

1. You can or adjust the real time by pressing CLOCK button



2. Using the Up and Down buttons to get the correct time.



3. Press CLOCK button again the real time is set.

TIMER ON/OFF

It is convenient to set the timer on with TIMER ON/OFF buttons before you leave so that you will come back to the comfortable room temperature you set.

NOTE: It is real timer control. you should set the CLOCK first.

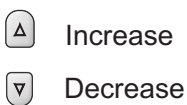
To TIMER ON

TIMER ON button can be used to turn on the unit automatically at the time you set.

1. Press TIMER ON, Then "On 12:00" flashes on the LCD.



2. Press the UP or DOWN button to get your desired time to turn on the appliance.



- Press the UP or DOWN button once to increase or decrease the time setting by 1minute.
- Press and hold the UP or DOWN button for 2 seconds to increase or decrease the time setting by 10 minutes.
- Press and hold the UP or DOWN button for a longer time to increase or decrease the time setting by 1 hour.

3. When your desired time displayed on LCD, press the TIMER ON button to confirm it.

A "Beep" can be heard, "ON" stops flashing.

The TIMER indicator on the appliance lights up.

4. After your desired time displayed for 5 seconds, the clock will be displayed on the LCD of remote controller instead of the desired time.

To cancel Timer On

Press TIMER ON button again, a "beep" can be heard and the indicator disappears, the TIMER ON mode has been canceled.

NOTE: It is similar to set TIMER OFF, you can make the appliance unit switch off automatically at the time you set.



SWING

Press SWING once to change vertical airflow direction. Press again to stop airflow louver at desired airflow direction.



NOTE:

- Airflow is automatically adjusted to a certain angle in accordance with the operation mode after turning on the unit.
- The direction of airflow can be also adjusted to your own requirement by pressing the SWING button.
- Do not turn the vertical adjustment louvers manually, otherwise malfunctions may occur. if that happens, turn off the unit first and cut off the power supply, then restore power supply again.

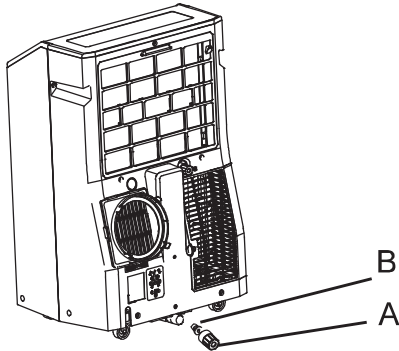
Normal Sounds

When your air conditioner is operating normally, you may hear sounds such as:

- Air movement from the fan.
- Clicks from the thermostat cycle.
- Vibrations or noise due to poor wall or window construction.
- A high-pitched hum or pulsating noise caused by the modern high-efficiency compressor cycling on and off.

LOCAL AIR CONDITIONER CARE

Draining the Air Conditioner



A.Primary drain cover B.Primary drain plug

⚠ WARNING

Excessive Weight Hazard

Use two or more people to move and install the air conditioner.

Failure to do so can result in back or other injury.

1. Unplug the air conditioner or disconnect power.
2. Move the air conditioner to a drain location or outside.

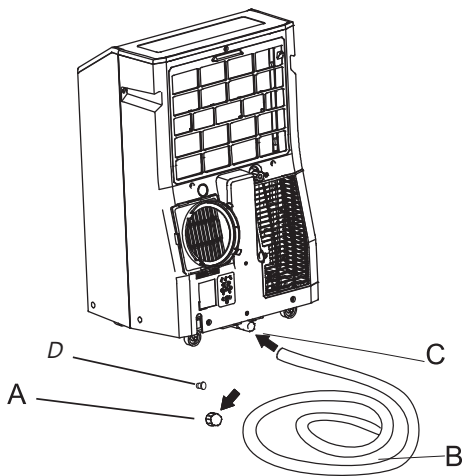
NOTE: To avoid leaking water from the unit, move the air conditioner slowly and keep it level.

3. Remove the primary drain cover and plug.
4. Drain water completely through the drain hole.

NOTE: If the air conditioner will be stored after use, see "Storing After Use".

5. Reinstall the drain plug to the primary drain hole.
6. Reinstall the primary drain cover to the drain hole.
7. Reposition the air conditioner.
8. Plug in the air conditioner or reconnect power.

Draining the Air Conditioner(Heating models)



A.Primary drain port
B.Drain hose
C.Primary drain hole
D.Primary drain plug

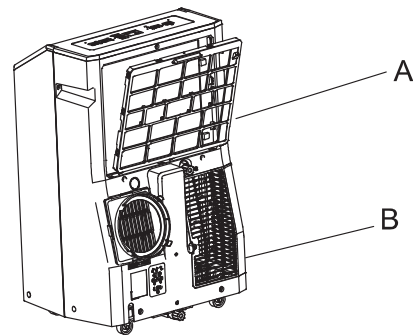
WARNING: Please connect the drain hose on heating mode, or the unit will stop running after the water the water reaches warning level.

1. Uncover the primary drain port.
2. Attach the drain hose to the primary drain hose. Make sure the connector has no water leak.
3. Place the other end of drain hose into a outfall. Check to see that the hose lies flat and is in the drain. Make sure the hose end that goes to the drain is on a lower level than the hose end that connects to the unit. The hose should not be kinked or pinched.

Cleaning the Outside

1. Press ON/OFF to turn off the air conditioner.
2. Unplug the air conditioner or disconnect power.
3. Remove the air filter and clean separately. See "cleaning the Air Filter".
4. Wipe the outside of the air conditioner with a soft, damp cloth.
5. Plug in the air conditioner or reconnect power.
6. Press ON/OFF to start the air conditioner.

Cleaning the Air Filter



A.Evaporator air intake filter panel door
B.Condenser air intake filter panel door

1. Press ON/OFF to turn off the air conditioner.
2. Open the filter panel door on the back of the air conditioner and remove.
3. Remove the tapping screw from the condenser air intake filter panel door and remove.
4. Use a vacuum cleaner to clean the filter. If the filter is very dirty, wash the filter in warm water with a mild detergent.
NOTE: Do not wash the filter in the dishwasher or use any chemical cleaners.
5. Air dry the filter completely before replacing to ensure maximum efficiency.
6. Reattach the air filter to the filter panel door.
7. Reinstall the filter panel door and tapping screw.
8. Press ON/OFF to start the air conditioner.

Storing After Use


If the air conditioner will not be used for an extended period of time:


1. Drain the water completely. See "draining the Air Conditioner".
2. Run the air conditioner set to Fan Only for approximately 12 hours to dry the air conditioner.
3. Unplug the air conditioner.

TROUBLESHOOTING

Before calling for service, try the suggestions below to see whether you can solve your problem without outside help.

Air conditioner will not operate

 **WARNING**



Electrical Shock Hazard

Plug into a grounded 3 prong outlet.

Do not remove ground prong.

Do not use an adapter.

Do not use an extension cord.

Failure to follow these instructions can result in death, fire, or electrical shock.

- **The power supply cord is unplugged.**
Plug into a grounded 3 prong outlet. See " electrical Requirements."
- **Time-delay fuse or circuit breaker of the wrong capacity is being used.**
Replace with a time-delay fuse or circuit breaker of the correct capacity. See " electrical Requirements".
- **A household fuse has blown, or a circuit breaker has tripped.**
Replace the fuse, or reset the circuit breaker. See "Electrical Requirements".
- **The On/Off button has not been pressed.**
Press ON/OFF.
- **The local power has failed.**
Wait for power to be restored.

Air conditioner blows fuses or trips circuit breakers

- **Too many appliances are being used on the same circuit.**
Unplug or relocate appliances that share the same circuit.
- **You are trying to restart the air conditioner too soon after turning off air conditioner.**
Wait at least 3 minutes after turning off air conditioner before trying to restart the air conditioner.
- **You have changed modes.**
Wait at least 3 minutes after turning off air conditioner before trying to restart the air conditioner.

Air conditioner seems to run too much

- **Is there a door or window open?**
Keep doors and windows closed.
- **The current air conditioner replaced an older model.**
The use of more efficient components may cause the air conditioner to run longer than an older model, but the total energy consumption will be less. Newer air conditioners do not emit the "blast" of cold air you may be accustomed to from older units, but this is not an indication of lesser cooling capacity or efficiency. Refer to the efficiency rating (EER) and capacity rating (in Btu/h) marked on the air conditioner.
- **The air conditioner is in a heavily occupied room, or heat-producing appliances are in use in the room.**
Use exhaust vent fans while cooking or bathing and try not to use heat-producing appliances during the hottest part of the day. Portable air conditioners are designed as supplemental cooling to local areas within a room. A higher capacity air conditioner may be required, depending on the size of the room being cooled.

Air conditioner runs for a short time only, but room is not cool

- **Set temperature is close to room temperature.**
Lower set temperature. See " Portable Air Conditioner Use ".

Display error code

- **if the unit display error code E5, it is water full in the unit, you should drain the water, see "Draining the air conditioner". After draining, you can operate the unit again.**
- **if the unit display error code E1/E2/E3//E6/E7/EA, please contact customer service.**

Air conditioner runs, but does not cool

- **The filter is dirty or obstructed by debris.**
Clean the filter.
- **Air outlet is blocked.**
Clear air outlet.
- **Set temperature is too high.**
Lower set temperature.

Air conditioner cycles on and off too much

- **The air conditioner is not properly sized for your room.**
Check the cooling capabilities of your portable air conditioner.

Portable air conditioners are designed as supplemental cooling to local areas within a room.

- **The filter is dirty or obstructed by debris.**
Clean the filter.
- **There is excessive heat or moisture open container cooking, showers, etc.) in the room.**
Use a fan to exhaust heat or moisture from the room. Try not to use heat-producing appliances during the hottest part of the day.

- **The louvers are blocked.**

Install the air conditioner in a location where the louvers are free from curtains, blinds, furniture, etc.

INSTRUCȚIUNI DE UTILIZARE ȘI DE INSTALARE

Vă mulțumim pentru achiziționarea acestui aparat de aer condiționat. Vă rugăm să citiți cu atenție aceste instrucțiuni de utilizare și de instalare înainte de a instala și utiliza acest aparat și păstrați acest manual pentru consultare ulterioară.

CUPRINS

MĂSURI DE SIGURANȚĂ.....	2	Sunete normale.....	25
IDENTIFICAREA PIESELOR.....	10	ÎNGRIJIREA APARATULUI LOCAL DE AER CONDIȚIONAT .	26
SIGURANȚA APARATULUI DE AER CONDIȚIONAT	14	Golirea aparatului de aer condiționat	26
CERINȚE PRIVIND INSTALAREA.....	14	Golirea aparatului de aer condiționat (modele de încălzire).....	26
Unelte și piese	14	Curățarea exteriorului	26
Cerințe privind locația	15	Curățarea filtrului de aer	26
Cerințe privind componentele electrice	15	Depozitarea după utilizare	26
INSTRUCȚIUNI DE INSTALARE	15	DEPANAREA	27
Despachetarea aparatului de aer condiționat	15		
Instalarea aparatului local de aer condiționat (la fereastră..).....	16		
Instalarea completă.....	18		
UTILIZAREA APARATULUI LOCAL DE AER CONDIȚIONAT.....	19		
Pornirea aparatului local de aer condiționat.....	20		
Utilizarea telecomenzii	21		

INSTRUCȚIUNI PRIVIND SIGURANȚA

Acest aparat poate fi utilizat de către copiii cu vârsta de peste 8 ani și de persoane cu capacități fizice, senzoriale sau psihice reduse sau lipsite de experiență și cunoștințe, dacă sunt supravegheate sau instruite cu privire la utilizarea în siguranță a aparatului și înțeleg pericolele implicate. Copiii nu trebuie să se joace cu aparatul. Curățarea și întreținerea de către utilizator nu trebuie efectuate de către copii fără supraveghere. Copiii trebuie supravegheați pentru a asigura faptul că nu se joacă cu aparatul. În cazul în care cablul de alimentare este deteriorat, acesta trebuie înlocuit de către producător, agentul de service sau alte persoane calificate în mod similar pentru a evita apariția unui pericol. Aparatul trebuie instalat în conformitate cu reglementările naționale privind cablajul. Intervalul presiunilor statice externe este cuprins între -0,2 Pa și 0,2 Pa. Păstrați unitatea la o distanță de cel puțin 5 m față de suprafețele combustibile. Nu utilizați aparatul de aer condiționat într-o încăpere umedă, cum ar fi o baie sau o spălătorie.

PROTEJAREA MEDIULUI ÎNCONJURĂTOR

Acest aparat este realizat din material reciclabil sau reutilizabil. Casarea trebuie efectuată în conformitate cu reglementările locale privind eliminarea deșeurilor. Înainte de casare, asigurați-vă că ați tăiat cablul de alimentare, astfel încât aparatul să nu poată fi reutilizat. Pentru informații mai detaliate privind manevrarea și reciclarea acestui produs, contactați autoritățile locale care se ocupă de colectarea separată a deșeurilor sau magazinul de la care ați cumpărat aparatul.

CASAREA APARATULUI

Acest aparat este marcat în conformitate cu Directiva Europeană 2012/19/UE privind deșeurile de echipamente electrice și electronice (DEEE).

Acest marcaj indică faptul că acest produs nu trebuie eliminat împreună cu alte deșeuri menajere pe întreg teritoriul UE. Pentru a preveni posibilele daune aduse mediului înconjurător sau sănătății umane prin eliminarea necontrolată a deșeurilor, reciclați-le în mod responsabil pentru a promova reutilizarea durabilă a resurselor materiale.

Pentru a returna dispozitivul utilizat, vă rugăm să utilizați sistemele de returnare și de colectare sau să contactați comerciantul de la care a fost achiziționat produsul.

Acesta poate prelua acest produs în vederea reciclării în condiții de siguranță pentru mediul înconjurător.



Măsuri de siguranță

Precauții pentru utilizarea agentului frigorific R290

Procedurile de lucru de bază privind instalarea sunt aceleași cu cele pentru agentul frigorific convențional (R22 sau R410A). Cu toate acestea, acordați atenție următoarelor puncte:



ATENȚIE

- 1. Transportul echipamentelor care conțin agenți frigorifici inflamabili**
Conformitatea cu reglementările de transport
- 2. Marcarea echipamentelor cu ajutorul semnelor**
Conformitatea cu reglementările locale
- 3. Eliminarea echipamentelor care utilizează agenți frigorifici inflamabili**
Conformitatea cu reglementările naționale
- 4. Depozitarea echipamentelor/aparatelor**
Depozitarea echipamentelor trebuie să se realizeze în conformitate cu instrucțiunile producătorului.
- 5. Depozitarea echipamentelor ambalate (nevândute)**
 - Protecția ambalajului de depozitare trebuie construită astfel încât deteriorarea mecanică a echipamentului din interiorul ambalajului să nu provoace o scurgere a încărcăturii de agent frigorific.
 - Numărul maxim de echipamente a căror depozitare este permisă împreună va fi stabilit prin reglementările locale.
- 6. Informații privind service-ul**
 - 6-1 Verificări în zonă**
Înainte de a începe lucrul la sistemele care conțin agenți frigorifici inflamabili, sunt necesare verificări de siguranță pentru a asigura minimizarea riscului de aprindere. Pentru repararea sistemului de refrigerare, trebuie respectate următoarele măsuri de precauție înainte de efectuarea lucrărilor la nivelul sistemului.
 - 6-2 Procedura de lucru**
Lucrările vor fi efectuate conform unei proceduri controlate, astfel încât să se minimizeze riscul prezenței gazelor sau a vaporilor inflamabili în timpul efectuării lucrărilor.
 - 6-3 Zona de lucru generală**
 - Toți membrii personalului de întreținere și alte persoane care lucrează în zona locală vor fi instruite cu privire la natura lucrărilor în curs de desfășurare. Se vor evita lucrările în spații închise.
 - Zona din jurul spațiului de lucru va fi izolată. Verificați dacă au fost asigurate condițiile în zonă prin controlul materialelor inflamabile.
 - 6-4 Verificarea prezenței agentului frigorific**
Zona va fi verificată cu un detector adecvat de agent frigorific înainte de lucru
 - și în timpul acestuia, pentru a se asigura faptul că tehnicianul are cunoștință de atmosfere potențial inflamabile.
Asigurați-vă că echipamentul de detectare a scurgerilor utilizat este adecvat
 - pentru utilizarea cu agenți frigorifici inflamabili, respectiv care nu produc scântei, sunt etanșați în mod adecvat sau oferă siguranță intrinsecă.

Măsuri de siguranță



ATENȚIE

6-5 Prezența extingtorului

- Dacă trebuie efectuate lucrări la cald asupra echipamentului de refrigerare sau a oricăror piese asociate, trebuie să existe la îndemână echipamente adecvate de stingere a incendiilor.
- Trebuie să dispuneți de un extingtor cu pulbere uscată sau cu CO₂ în apropierea zonei de încărcare.

6-6 Fără surse de aprindere

Nicio persoană care efectuează lucrări în legătură cu un sistem de refrigerare care implică expunerea oricărei conducte care conține sau a conținut agent frigorific inflamabil nu trebuie să utilizeze surse de aprindere astfel încât să poată da naștere

- unui risc de incendiu sau de explozie.
Toate sursele posibile de aprindere, inclusiv fumatul, trebuie păstrate suficient de departe de locul de instalare, reparare, îndepărtare și eliminare, în timpul cărora agentul frigorific inflamabil poate fi eliberat în spațiul înconjurător.
- Înainte de începerea lucrului, zona din jurul echipamentului trebuie inspectată pentru a vă asigura că nu există pericole inflamabile sau riscuri de aprindere. Se vor afișa semne cu „Fumatul interzis”.

6-7 Zona ventilată

- Asigurați-vă că zona se află în aer liber sau că este ventilată în mod adecvat înainte de a intra în sistem sau de a efectua lucrări la cald.
- Un grad de ventilație va continua în timpul perioadei în care se desfășoară lucrările. Ventilația trebuie să disperseze în siguranță orice agent frigorific eliberat și, de preferință, să îl elimine extern în atmosferă.

6-8 Verificări la nivelul echipamentului de refrigerare

În cazul în care sunt schimbate componentele electrice, acestea trebuie să

- corespundă scopului și specificațiilor corecte.
Trebuie respectate în permanență instrucțiunile de întreținere și de service ale producătorului. Dacă aveți îndoieli, consultați departamentul tehnic al producătorului pentru asistență.

În cazul instalațiilor care utilizează agenți frigorifici inflamabili, se aplică următoarele

- verificări:
 - Dimensiunea încărcării este în conformitate cu dimensiunea camerei în care sunt instalate piesele care conțin agent frigorific;
 - Mașinile și prizele de ventilație funcționează corespunzător și nu sunt obstrucționate;
 - În cazul în care se utilizează un circuit de refrigerare indirect, circuitul secundar va fi verificat pentru prezența agentului frigorific;
 - Marcajele la nivelul echipamentului continuă să fie vizibile și lizibile. Marcajele și semnele ilizibile trebuie corectate;
 - Conducta sau componentele de refrigerare sunt instalate într-o poziție în care este puțin probabil să fie expuse la orice substanță care poate coroda componentele care conțin agent frigorific, cu excepția cazului în care componentele sunt construite din materiale care sunt în mod inerent rezistente la coroziune sau sunt protejate în mod corespunzător împotriva acesteia.

Măsuri de siguranță

ATENȚIE

6-9 Verificări la nivelul dispozitivelor electrice

Repararea și întreținerea componentelor electrice trebuie să includă verificări inițiale de siguranță și proceduri de inspecție a componentelor.

- Dacă există o defecțiune care ar putea compromite siguranța, atunci nicio sursă de alimentare electrică nu va fi conectată la circuit până când nu este tratată în mod satisfăcător.
- Dacă defecțiunea nu poate fi remediată imediat, dar este necesară continuarea funcționării, va fi utilizată o soluție temporară adecvată.
- Acest lucru trebuie raportat proprietarului echipamentului, astfel încât toate părțile să fie informate. Verificările inițiale de siguranță vor include:
 - În cazul în care condensatoarele sunt descărcate: acest lucru se realizează în condiții de siguranță, pentru a evita posibilitatea producerii de scântei;
 - Faptul că nu există componente electrice sub tensiune și cabluri expuse în timpul încărcării, al recuperării sau al purjării sistemului;
 - Faptul că există continuitate a legării la pământ.

7. Reparații la nivelul componentelor etanșe

În timpul reparațiilor la nivelul componentelor sigilate, toate sursele de alimentare cu energie electrică vor fi deconectate de la echipamentul la care se efectuează lucrări înainte de îndepărtarea capacelor sigilate etc.

- În cazul în care este absolut necesar să existe o sursă de alimentare cu energie electrică a echipamentului în timpul operațiunilor de service, în punctul cel mai critic trebuie amplasată o formă permanentă de detectare a scurgerilor pentru a avertiza cu privire la o situație cu potențial periculos.
- Se acordă o atenție deosebită următoarelor aspecte pentru a se asigura faptul că, în timpul lucrărilor la componentele electrice, carcasa nu este modificată astfel încât nivelul de protecție să fie afectat.
- Aceasta include deteriorarea cablurilor, numărul excesiv de conexiuni, terminalele care nu au fost realizate conform specificației inițiale, deteriorarea garniturilor, montarea incorectă a presetupelor etc.
- Asigurați-vă că aparatul este montat în siguranță.
- Asigurați-vă că sigiliile sau materialele de etanșare nu s-au degradat astfel încât să nu mai servească scopului de a preveni pătrunderea atmosferelor inflamabile. Piese de schimb trebuie să fie în conformitate cu specificațiile producătorului.

NOTĂ:

Utilizarea materialului de etanșare pe bază de silicon poate inhiba eficiența anumitor tipuri de echipamente de detectare a scurgerilor. Componentele intrinsec sigure nu trebuie să fie izolate înainte de a efectua lucrări la nivelul acestora.

8. Repararea la nivelul componentelor intrinsec sigure

Nu aplicați sarcini inductive sau capacitive permanente la nivelul circuitului fără a vă asigura că acestea nu vor depăși tensiunea și curentul admise pentru echipamentul în curs de utilizare.

- Componentele intrinsec sigure sunt singurele tipuri care pot fi prelucrate în timp ce se află sub tensiune, în prezența unei atmosfere inflamabile. Aparatul de testare trebuie să aibă valoarea nominală corectă.

Măsuri de siguranță

ATENȚIE

Înlocuiți componentele numai cu piesele specificate de producător.

- Alte piese pot duce la aprinderea agentului frigorific în atmosferă din cauza unei scurgeri.

9. Cablarea

Verificați dacă nu sunt supuse cablurile uzurii, coroziunii, presiunii excesive, vibrațiilor, muchiilor ascuțite sau oricăror alte efecte adverse asupra mediului înconjurător.

- De asemenea, verificarea trebuie să ia în considerare efectele îmbătrânirii sau ale vibrațiilor continue din surse precum compresoare sau ventilatoare.

10. Detectarea agenților frigorifici inflamabili

Sursele potențiale de aprindere nu trebuie utilizate în niciun caz pentru căutarea sau

- detectarea scurgerilor de agent frigorific.

Nu trebuie utilizată o lampă cu halogenuri (sau orice alt detector care utilizează o

- flacără deschisă).

11. Metode de detectare a scurgerilor

- Următoarele metode de detectare a scurgerilor sunt considerate acceptabile pentru sistemele care conțin agenți frigorifici inflamabili:

- Detectoarele electronice de scurgeri trebuie utilizate pentru detectarea agenților frigorifici inflamabili, dar sensibilitatea poate să nu fie adecvată sau poate să necesite recalibrare. (Echipamentele de detectare trebuie calibrate într-o zonă fără agenți frigorifici.)
- Asigurați-vă că detectorul nu este o sursă potențială de aprindere și este adecvat pentru agentul frigorific utilizat.
- Echipamentul de detectare a scurgerilor se stabilește la un procent din LFL al agentului frigorific și se calibrează la agentul frigorific utilizat și se confirmă procentul corespunzător de gaz (maximum 25%).
- Lichidele de detectare a scurgerilor sunt adecvate pentru utilizarea cu majoritatea agenților frigorifici, dar utilizarea detergenților care conțin clor trebuie evitată, deoarece clorul poate să reacționeze cu agentul frigorific și să corodeze conductele de cupru.
- Dacă se suspectează o scurgere, toate flăcările deschise trebuie îndepărtate/stinse.
- Dacă se constată o scurgere de agent frigorific care necesită o sudură tare, întregul agent frigorific trebuie recuperat din sistem sau izolat (prin intermediul supapelor de închidere) într-o parte a sistemului aflată la distanță de scurgere.
- Azotul fără oxigen (OFN) este apoi purjat prin sistem atât înaintea procesului de lipire, cât și în timpul acestuia.

12. Îndepărtarea și evacuarea

- Atunci când se intră în circuitul agentului frigorific pentru a efectua reparații – sau în orice alt scop – vor fi utilizate proceduri convenționale.
- Cu toate acestea, este important să se urmeze cele mai bune practici, deoarece inflamabilitatea trebuie luată în considerare.
- Trebuie să se respecte următoarea procedură:
 - Îndepărtați agentul frigorific;
 - Purjați circuitul cu gaz inert;

Măsuri de siguranță

ATENȚIE

- Efectuați evacuarea;
 - Purjați din nou cu gaz inert;
 - Deschideți circuitul prin tăiere sau lipire.
 - Încărcătura de agent frigorific va fi recuperată în buteliile de recuperare corecte.
 - Sistemul va fi „spălat” cu OFN pentru ca unitatea să fie sigură. Ar putea fi necesar ca acest proces să fie repetat de mai multe ori.
 - Aerul comprimat sau oxigenul nu trebuie utilizat pentru această sarcină.
 - Spălarea se va realiza prin ruperea vidului din sistem cu OFN și continuarea umplerii până la atingerea presiunii de lucru, apoi ventilarea în atmosferă și, în cele din urmă, tragerea în vid.
 - Acest proces se repetă până când nu mai există agent frigorific în sistem. Atunci când se utilizează sarcina OFN finală, sistemul trebuie ventilat până la presiunea atmosferică pentru a permite desfășurarea lucrărilor.
 - Această operațiune este absolut vitală pentru ca operațiunile de lipire pe conducte să aibă loc.
 - Asigurați-vă că ieșirea pompei de vid nu este aproape de nicio sursă de aprindere și că există ventilație disponibilă.
- 13. Proceduri de încărcare**
- Pe lângă procedurile convenționale de încărcare, trebuie respectate următoarele cerințe:
 - Asigurați-vă că nu are loc contaminarea diferiților agenți frigorifici în timpul utilizării echipamentului de încărcare.
 - Furtunurile sau conductele trebuie să fie cât mai scurte posibil pentru a reduce la minimum cantitatea de agent frigorific conținută în acestea.
 - Buteliile trebuie menținute în poziție verticală.
 - Asigurați-vă că sistemul de refrigerare este împământat înainte de încărcarea sistemului cu agent frigorific.
 - Etichetați sistemul atunci când încărcarea este completă (dacă nu este deja finalizată).
 - Se va avea grijă să nu se umple excesiv sistemul de refrigerare. Înainte de reîncărcarea sistemului, acesta va fi testat la nivel de presiune cu OFN.
 - Sistemul va fi testat la nivel de scurgeri la finalizarea încărcării, dar înainte de punerea în funcțiune.
 - Înainte de a părăsi locația, trebuie efectuat un test de scurgere de urmărire.
- 14. Scoaterea din funcțiune**
- Înainte de a efectua această procedură, este esențial ca tehnicianul să fie complet familiarizat cu echipamentul și cu toate detaliile despre acesta. Se recomandă bunele practici pentru ca toți agenții frigorifici să fie recuperați în condiții de siguranță. Înainte de efectuarea sarcinii, se prelevează o mostră de ulei și de agent frigorific în cazul în care este necesară o analiză înainte de reutilizarea agentului frigorific regenerat. Este esențial ca energia electrică să fie disponibilă înainte de începerea sarcinii.
- a) Familiarizați-vă cu echipamentul și cu funcționarea acestuia.
 - b) Izolați sistemul la nivel electric.

Măsuri de siguranță

ATENȚIE

- c) Înainte de a încerca procedura, asigurați-vă că:
- Este disponibil echipamentul de manevrare mecanică, dacă este necesar, pentru manevrarea buteliilor de agent frigorific;
 - Toate echipamentele individuale de protecție sunt disponibile și utilizate corect;
 - Procesul de recuperare este supravegheat în orice moment de către o persoană competentă;
 - Echipamentele de recuperare și buteliile sunt conforme cu standardele corespunzătoare.
- d) Pompați sistemul de refrigerare, dacă este posibil.
- e) Dacă nu este posibilă crearea unui vid, realizați un colector, astfel încât agentul frigorific să poată fi îndepărtat din diferite părți ale sistemului.
- f) Asigurați-vă că butelia este amplasată pe cântar înainte ca recuperarea să aibă loc.
- g) Porniți mașina de recuperare și operați în conformitate cu instrucțiunile producătorului.
- h) Nu umpleți excesiv buteliile. (Nu mai mult de 80% din volumul de sarcină lichidă).
- l) Nu depășiți presiunea maximă de lucru a buteliei, nici măcar temporar.
- j) Când buteliile au fost umplute corect și procesul a fost finalizat, asigurați-vă că buteliile și echipamentul sunt îndepărtate imediat din locație și că toate supapele de izolare de pe echipament sunt închise.
- k) Agentul frigorific recuperat nu va fi încărcat într-un alt sistem de refrigerare decât dacă a fost curățat și verificat.

15. Etichetarea

Echipamentele vor fi etichetate cu mențiunea că au fost scoase din funcțiune și golite

- de agent frigorific.
- Eticheta va fi datată și semnată.
- Asigurați-vă că există etichete pe echipament care indică faptul că echipamentul
 - conține agent frigorific inflamabil.

16. Recuperarea

Atunci când scoateți agentul frigorific dintr-un sistem, fie pentru service, fie pentru

- scoaterea din funcțiune, se recomandă cele mai bune practici pentru ca toți agenții frigorifici să fie îndepărtați în condiții de siguranță.
- Atunci când transferați agentul frigorific în butelii, asigurați-vă că sunt utilizate numai
- butelii adecvate de recuperare a agentului frigorific.
- Asigurați-vă că este disponibil numărul corect de butelii pentru reținerea încărcării
- totale a sistemului.
- Toate buteliile care urmează să fie utilizate sunt destinate agentului frigorific recuperat
- și etichetate pentru respectivul agent frigorific (adică butelii speciale pentru recuperarea agentului frigorific).
- Buteliile trebuie să fie completate cu supapă de siguranță și supape de închidere
- asociate în bună stare de funcționare.
- Buteliile de recuperare goale sunt evacuate și, dacă este posibil, răcite înainte să aibă
- loc recuperarea.
- Echipamentul de recuperare trebuie să fie în stare bună de funcționare, cu un set de
- instrucțiuni privind echipamentul la îndemână și trebuie să fie adecvat pentru recuperarea agenților frigorifici inflamabili.

Măsuri de siguranță

ATENTIE

- În plus, trebuie să fie disponibil un set de cântare calibrate și în bună stare de funcționare.
- Furtunurile trebuie să fie completate cu racorduri de deconectare fără scurgeri și în bună stare.
 - Înainte de a utiliza mașina de recuperare, verificați dacă aceasta este în stare satisfăcătoare de funcționare, a fost întreținută în mod corespunzător și dacă
 - orice componente electrice asociate sunt sigilate pentru a preveni aprinderea în cazul unei degajări de agent frigorific. Consultați producătorul dacă aveți îndoieli.
 - Agentul frigorific recuperat va fi returnat furnizorului de agent frigorific în butelia de recuperare corectă și se vor face demersuri pentru nota relevantă de transfer privind deșeurile. Nu amestecați agenții frigorifici în unitățile de recuperare și, în special, nu în butelii.
 - Dacă trebuie îndepărtate compresoarele sau uleiurile compresoare, asigurați-vă că au fost evacuate la un nivel acceptabil pentru a vă asigura că agentul frigorific inflamabil nu rămâne în lubrifiant.
 - Procesul de evacuare se va efectua înainte de returnarea compresorului către furnizori.
 - Pentru accelerarea acestui proces se utilizează numai încălzirea electrică a corpului compresorului.
 - Atunci când uleiul este scurs dintr-un sistem, această operațiune trebuie efectuată în condiții de siguranță.

ATENTIE





- Atunci când mutați sau reamplasați aparatul de aer condiționat, consultați tehnicienii de service cu experiență pentru deconectarea și reinstalarea unității.
- Nu așezați alte produse electrice sau bunuri electrocasnice sub unitatea interioară sau exterioară. Scurgerile de condens din unitate le pot uda și pot provoca daune sau defecțiuni ale bunurilor dvs.
- Nu utilizați mijloace pentru accelerarea procesului de dezghețare sau de curățare, altele decât cele recomandate de către producător.
- Aparatul trebuie depozitat într-o încăpere fără surse de aprindere cu funcționare continuă (de exemplu, flăcări deschise, un aparat cu gaz în funcțiune sau un aparat de încălzire electric în funcțiune).
- A nu se găuri și a nu se arunca în foc.
- Rețineți că agenții frigorifici pot să nu conțină miros.
- Pentru a menține orificiile de ventilație libere și lipsite de obstacole.
- Aparatul trebuie depozitat într-o zonă bine ventilată, unde dimensiunea încăperii corespunde cu zona încăperii specificate pentru funcționare.
- Aparatul trebuie depozitat într-o încăpere fără flăcări deschise cu funcționare continuă (de exemplu, un aparat cu gaz în funcțiune) și surse de aprindere (de exemplu, un aparat de încălzire electric în funcțiune).
- Aparatul trebuie depozitat astfel încât să se prevină deteriorarea mecanică.

Măsuri de siguranță

⚠ ATENȚIE

- Orice persoană implicată în lucrările la nivelul unui circuit de agent frigorific sau în spargerea într-un circuit de agent frigorific trebuie să dețină un certificat valabil actual de la o autoritate de evaluare acreditată în domeniu, care îi autorizează competența de a manevra agenții frigorifice în condiții de siguranță, în conformitate cu o specificație de evaluare recunoscută în domeniu.
- Operațiunile de service vor fi efectuate numai în conformitate cu recomandările din partea producătorului echipamentului.
- Întreținerea și reparațiile care necesită asistența altor categorii de personal calificat se efectuează sub supravegherea persoanei competente în utilizarea agenților frigorifici inflamabili.
- Nu utilizați mijloace pentru accelerarea procesului de dezghețare sau de curățare, altele decât cele recomandate de către producător.
- Aparatul va fi instalat, operat și depozitat într-o încăpere cu o suprafață mai mare de:
 - +AP-09C*4GN*S0*(8.2m²), +AP-09H*4GN*S0*(8.2m²)
 - +AP-12C*4GQ*S0*(14.5m²), +AP-12H*4GQ*S0*(14.5m²)
- Conductele trebuie să fie conforme cu reglementările naționale privind gazele. Spațiile cu conductele de agent frigorific trebuie să fie în conformitate cu reglementările naționale privind gazele.
- Operațiunile de service se efectuează numai în conformitate cu recomandările din partea producătorului. Toate procedurile de lucru care afectează mijloacele de siguranță trebuie să fie efectuate numai de către persoane competente.
- Cantitatea maximă de agent frigorific este de 0,936 kg.
- Conectorii mecanici utilizați în interior trebuie să fie în conformitate cu ISO 14903. Când conectorii mecanici sunt reutilizați în interior, piesele de etanșare vor fi reînnoite. Atunci când îmbinările torsionate sunt reutilizate în interior, partea torsionată va fi refabricată. Instalarea conductelor trebuie menținută la un nivel minim. Conexiunile mecanice trebuie să fie accesibile în scopuri de întreținere.

Explicarea simbolurilor afișate pe unitatea interioară sau exterioară.

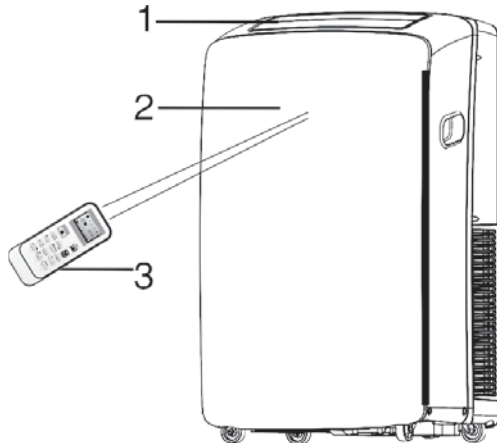
	AVERTISMENT	Acest simbol indică faptul că acest aparat utilizează un agent frigorific inflamabil. Dacă agentul frigorific este scurs și expus la
	ATENȚIE	Acest simbol indică faptul că manualul de utilizare trebuie citit cu atenție.
	ATENȚIE	Acest simbol indică faptul că un personal de service trebuie să manipuleze acest echipament cu referire la manualul de instalare.
	ATENȚIE	Acest simbol indică faptul că informațiile sunt disponibile, cum ar fi manualul de utilizare sau manualul de instalare.

Parametrul siguranței mașinii:

+AP-09C*4GN*S0*(T3.15A, 250V), +AP-09H*4GN*S0*(T3.15A, 250V)
+AP-12C*4GQ*S0*(T3.15A, 250V), +AP-12H*4GQ*S0*(T3.15A, 250V)

IDENTIFICATION OF PARTS

• Față



- 1 ieșire aer rece
- 2 Receptor semnal
- 3 Telecomandă
- 4 Panou de comandă
- 5 Admisie aer evaporator

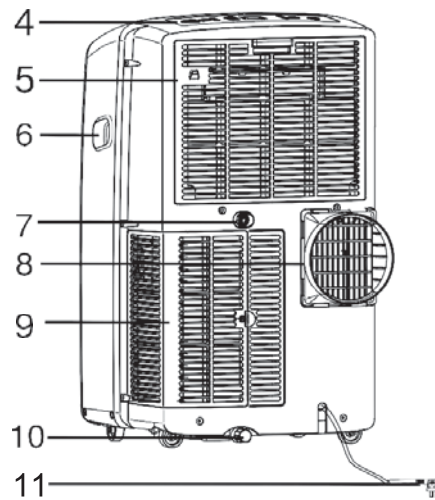
- 6 Mâner de transport
- 7 Port secundar de scurgere
- 8 Furtun de evacuare a aerului
- 9 Admisie aer condensator
- 10 Port principal de scurgere


- 11 Sursă de alimentare (poate fi diferită de cea prezentată)

- 12 Clemă furtun de scurgere (modele pompă de căldură)

- 13 Furtun de scurgere (modele pompă de căldură)

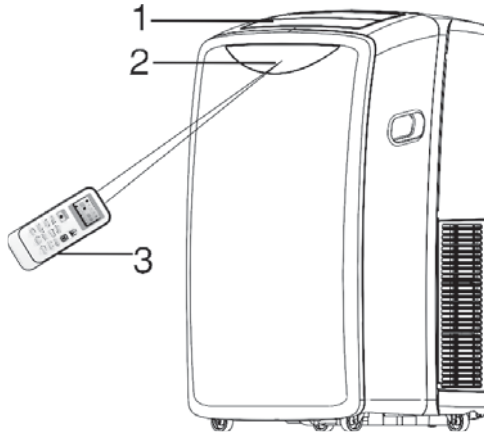
• Back (Spate)



 Figurile din acest manual se bazează pe vizualizarea externă a unui model standard.
Acestea pot fi diferite de cele ale aparatului de aer condiționat pe care l-ați selectat.

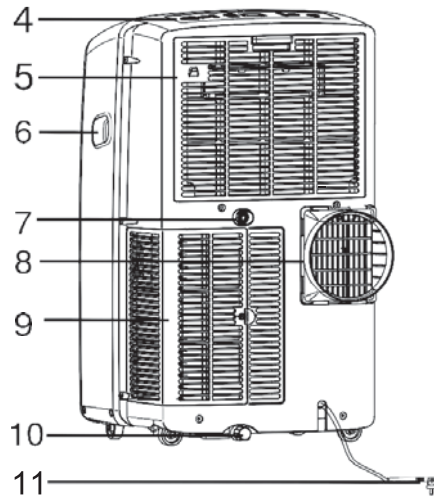
IDENTIFICATION OF PARTS

• Față



- 1 ieșirea aerului rece
- 2 Receptor de semnal
- 3 Telecomandă
- 4 Panou de comandă
- 5 Admisie aer evaporator
- 6 Mâner de transport
- 7 Port secundar de scurgere

• Back (Spate)



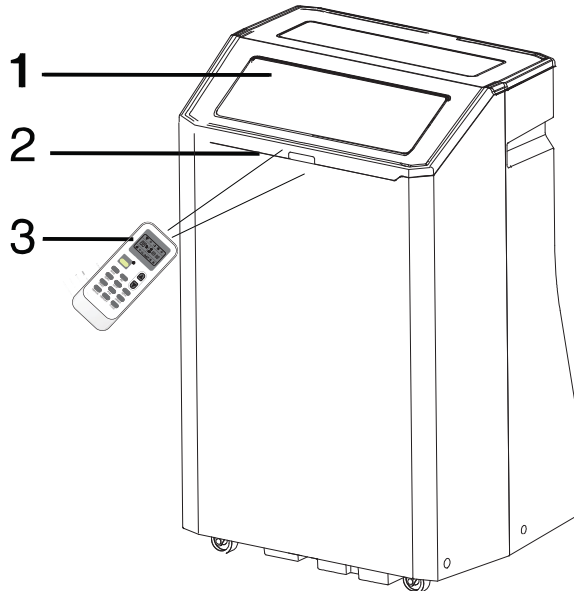
- 8 Furtun de evacuare a aerului
- 9 Admisie aer condensator
- 10 Port principal de scurgere
- 11 Sursă de alimentare (poate fi diferită de cea prezentată)
- 12 Clemă furtun de scurgere (modele pompă de căldură)
- 13 Furtun de scurgere (modele pompă de căldură)



▲ Figurile din acest manual se bazează pe vizualizarea externă a unui model standard.
Acestea pot fi diferite de cele ale aparatului de aer condiționat pe care l-ați selectat.

IDENTIFICAREA PĂRȚILOR COMPONENTE

• Față



1 ieșirea aerului rece

2 Receptor de semnal

3 Telecomandă

4 Panou de comandă

5 Mâner de transport

6 Admisie aer evaporator

7 Port secundar de scurgere

8 Furtun de evacuare a aerului

9 Admisie aer condensator

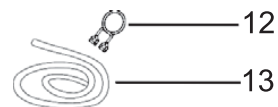
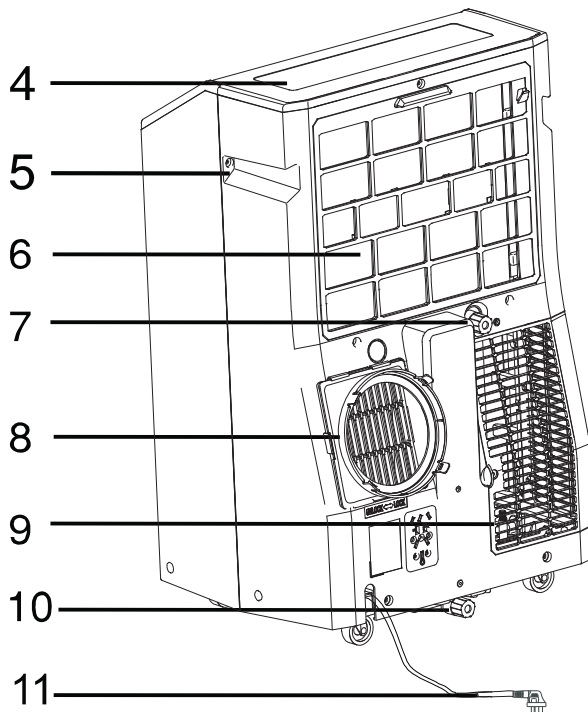
10 Port principal de scurgere

11 Sursă de alimentare
(Poate fi diferită de cea prezentată)

12 Clemă furtun de scurgere (modele
pomă de căldură)

13 Furtun de scurgere (modele pomă de căldură)

• Back (Înapoi)



⚠ Figurile din acest manual se bazează pe vizualizarea externă a unui model standard.

Acestea pot fi diferite de cele ale aparatului de aer condiționat pe care l-ați selectat.

CERINȚE PENTRU INSTALARE

Părți și unelte necesare












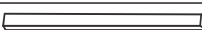
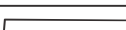




Adunați părțile și uneltele necesare înainte de a începe instalarea. Citiți instrucțiunile de mai jos și asigurați-vă că aveți și uneltele indicate mai jos (neincluse în pachetul produsului):

Unelte necesare:

Șurubelniță Philips *Foarfecă *Creion *Mașină de găurit fără fir cu vârf de 1/8”;

Părți furnizate:

Urmatoarele părți / piese sunt furnizate împreună cu aparatul de aer condiționat:

Part	Descriere	Cantitate
	A. Izolator de spumă	1 buc.
	B. Cuplaj	1 buc.
	C. Furtun de evacuare flexibil	1 buc.
	D. Adaptor de evacuare pentru fereastră	1 buc.
	E. Nituri	4 buc.
	F. Suruburi	4 buc.
	G. Clemă	2 buc.
	H. Parte exterioară culisantă cu ventilație	1 buc.
	I. Parte culisantă interioară scurtă	1 buc.
	J. Parte culisantă interioară	1 buc.
	K. Parte culisantă exterioară	1 buc.
	L. Izolator lung de spumă	2 buc.
	M. Izolator de spumă scurt	2 buc.
	N. Furtun de evacuare (pentru modelele cu pompă de căldură)	1 buc.
	O. Clemă pentru furtunul de evacuare (pentru modelele cu pompă de căldură)	1 buc.
	P. Telecomandă	1 buc.
	Q. Baterii standard AAA (1.5 volți)	2 buc.

Note

BATERII FĂRĂ MERCUR "SUPER HEAVY DUTY" R03 UM-4 AAA 1,5 V
A FI FOLOSITE PÂNĂ LA DATA DE (COD LUNĂ-AN LA PARTEA
INFERIOARĂ)

Nu amestecați bateriile vechi cu cele noi. Nu amestecați baterii
alcaline cu baterii standard (Carbon-Zinc) sau cu baterii
reîncărcabile (Nichel-Cadmium).

Nu înghițiți.

Bateriile Pot cauza sufocare dacă sunt înghițite de copii.

Bateriile ne-reîncărcabile nu trebuie reîncărcate.

Bateriile terminate / descărcate trebuie scoase din produs.

NU ARUNCAȚI BATERIILE ÎN FOC. ACESTEA POT EXPLODA SAU POT LUA FOC.

SIGURANȚA APARATULUI DE AER CONDIȚIONAT

Siguranța dvs. și a altor persoane sunt foarte importante.

Am furnizat numeroase mesaje importante referitoare la siguranță în acest manual și pe aparatul dvs. Citiți și respectați întotdeauna toate mesajele referitoare la siguranță.



Acesta este simbolul de alertă de siguranță.

Acest simbol vă avertizează cu privire la pericolele potențiale care pot duce la decesul sau vătămarea dvs. corporală sau a altor persoane.

Toate mesajele referitoare la siguranță vor urma simbolul de alertă de siguranță și fie cuvântul „PERICOL”, fie „AVERTISMENT”. Aceste cuvinte înseamnă:

PERICOL

Puteți fi ucis sau rănit grav dacă nu urmați imediat instrucțiunile.

AVERTISMENT

Puteți fi ucis sau rănit grav dacă nu urmați instrucțiunile.

Toate mesajele referitoare la siguranță vă vor transmite care este pericolul potențial, cum să reduceți riscul de vătămare corporală și ce se poate întâmpla dacă instrucțiunile nu sunt urmate.

INSTRUCȚIUNI IMPORTANTE PRIVIND SIGURANȚA

AVERTISMENT: Pentru a reduce riscul de incendiu, electrocutare sau vătămare corporală atunci când utilizați aparatul de aer condiționat, urmați aceste măsuri de precauție de bază:

- Conectați o priză cu 3 dinți cu împământare.
- Nu utilizați un cablu prelungitor.
- Nu scoateți știftul de împământare.
- Deconectați aparatul de aer condiționat înainte de operațiunile de service.
- Nu utilizați un adaptor.
- Utilizați două sau mai multe persoane pentru a muta și instala aparatul de aer condiționat.

PĂSTRATI ACESTE INSTRUCȚIUNI

ELIMINAREA UNITĂȚII

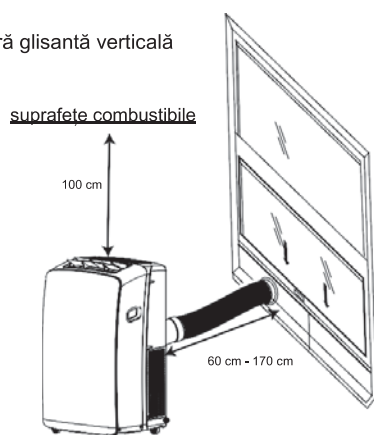
- Înainte de a arunca dispozitivul, este necesar să scoateți celulele bateriei și să le eliminați în condiții de siguranță, din motive de reciclare.
 - Când trebuie să eliminați unitatea, consultați distribuitorul nostru. În cazul în care conductele sunt îndepărtate incorect, agentul frigorific poate să iasă cu putere și poate intra în contact cu pielea, provocând vătămări corporale. Eliberarea agentului frigorific în atmosferă deteriorează, de asemenea, mediile înconjurătoare. Vă rugăm să reciclați sau să eliminați materialul de ambalare pentru produs într-un mod responsabil pentru mediul înconjurător.
- Nu depozitați și nu expediați niciodată aparatul de aer condiționat cu susul în jos sau în lateral pentru a evita deteriorarea compresorului.

Cerințe privind locația

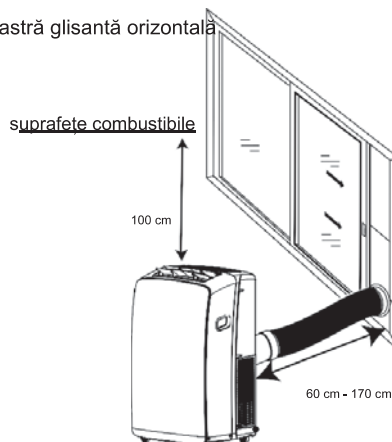
NOTE:

- Furtunul flexibil de evacuare permite amplasarea aparatului de aer condiționat la o distanță cuprinsă între 60 cm și 170 cm de fereastră sau de ușă. Pentru aparatele cu încălzitoare suplimentare, distanța minimă de la aparate la suprafețele combustibile este de 100 cm.
- Aparatele portabile de aer condiționat sunt proiectate pentru răcirea suplimentară a zonelor locale dintr-o încăpere.

Fereastră glisantă verticală



Fereastră glisantă orizontală



NOTE:

- Pentru a asigura o ventilație corespunzătoare, păstrați distanța necesară de la ieșirea aerului de retur la perete sau alte obstacole de cel puțin 60 cm.
- Nu blocați orificiul de evacuare a aerului.
- Asigurați un acces ușor la priza cu 3 dinți cu împământare.

Cerințe privind componentele electrice

⚠ AVERTISMENT



Pericol de electrocutare

Conectați o priză cu 3 dinți cu împământare.

Nu scoateți știftul de împământare.

Nu utilizați un adaptor.

Nu utilizați un cablu prelungitor.

Nerespectarea acestor instrucțiuni poate duce la deces, incendiu sau electrocutare.

- Aparatul portabil de aer condiționat trebuie conectat la o priză de 220-240 V, 50 HZ, sigurantă de 20 amperi cu 3 dinți.
- Se recomandă utilizarea unei siguranțe cu temporizare întârziată sau a unui disjunctor cu temporizare întârziată.
- Toate cablurile trebuie să respecte codurile electrice locale și naționale și să fie instalate de un electrician calificat. Dacă aveți întrebări, contactați un electrician calificat.

INSTRUCIUNILE DE INSTALARE

Despachetarea aparatului de aer condiționat

⚠ AVERTISMENT

Pericol de greutate excesivă

Utilizați două sau mai multe persoane pentru a muta și instala aparatul de aer condiționat.

Nerespectarea acestui lucru poate duce la vătămări ale spatelui sau de altă natură.

- Nu utilizați instrumente ascuțite, alcool sanitar, lichide inflamabile sau agenți de curățare abrazivi pentru a îndepărta banda sau adezivul. Aceste produse pot deteriora suprafața aparatului de aer condiționat.
- Manevrați ușor aparatul de aer condiționat.

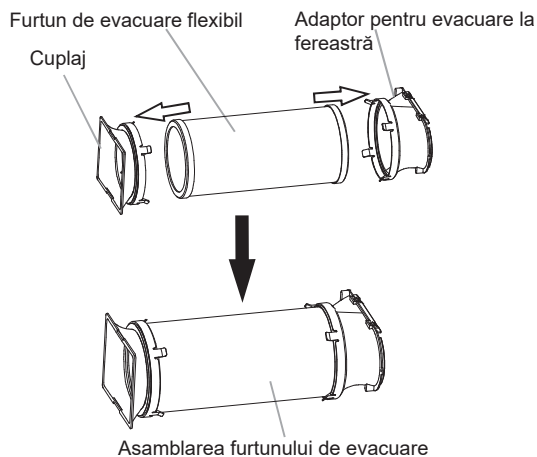
Îndepărtați materialele de ambalare

- Îndepărtați și eliminați/reciclați materialele de ambalare.
- Îndepărtați banda și resturile de adeziv de pe suprafețe înainte de a porni aparatul de aer condiționat. Frecați cu degetele o cantitate mică de săpun lichid pentru vase peste adeziv. Ștergeți cu apă caldă și uscați.

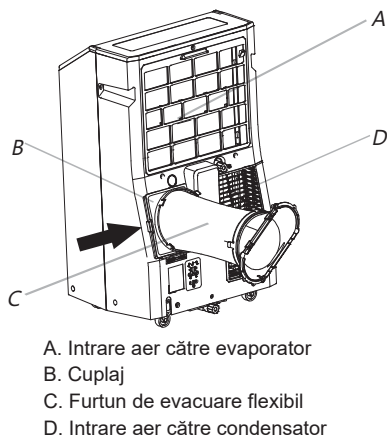
Instalarea aparatului local de aer condiționat (la fereastră)

Instalarea furtunului de evacuare și a adaptorului

1. Mutați aparatul de aer condiționat în locația dorită. Vezi secțiunea "Cerințe referitoare la amplasare".
2. Pregătirea pentru asamblarea furtunului de evacuare. Apăsați cuplajul și adaptorul de fereastră în furtunul de evacuare. Ambele au cleme de fixare care se potrivesc în părțile corespunzătoare ale celuilalt subansamblu.



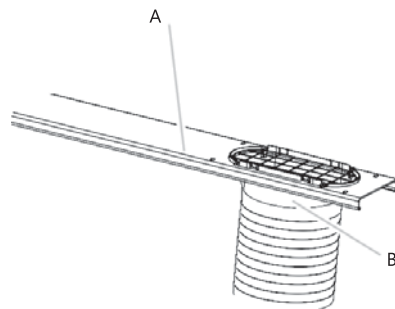
3. Introduceți cuplajul în fanta din spatele aparatului de aer condiționat.
4. Glisați în jos pentru a fixa furtunul în locaș.



Instalarea la fereastră

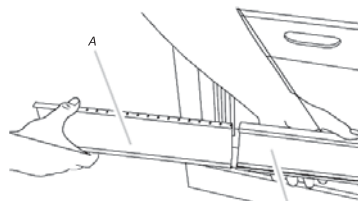
Kitul glisant al ferestrei a fost proiectat pentru a se potrivi cu majoritatea aplicațiilor standard verticale și orizontale ale ferestrei. Rulați aparatul de aer condiționat în locația selectată. Consultați secțiunea „Cerințe privind locația”.

1. Introduceți adaptorul de evacuare al ferestrei în fanta de pe kitul glisant al ferestrei.



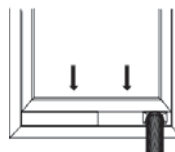
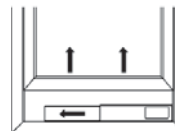
A. Kitul glisant al ferestrei
B. Adaptor de evacuare la fereastră

2. Deschideți fereastra.
3. Măsurați deschiderea ferestrei.
 - Dacă deschiderea ferestrei este prea îngustă pentru kitul glisant al ferestrei, scoateți secțiunea glisantă interioară din kitul glisant al ferestrei.

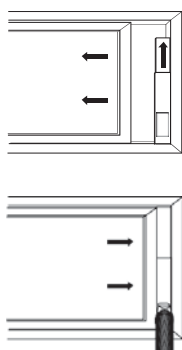


A. Secțiunea glisantă interioară
B. Secțiunea glisantă exterioră

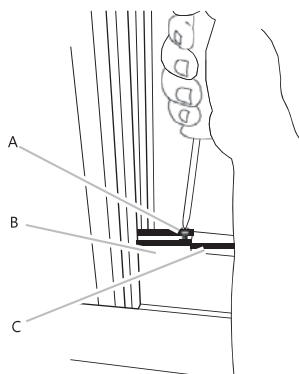
4. Așezați kitul glisant al ferestrei în cadrul ferestrei, extinzându-l pentru a se potrivi cu lățimea ferestrei. Asigurați-vă că capacul de ploaie se află pe partea exterioră a ferestrei.



NOTĂ: Pentru instalarea ferestrei cu toc, kitul glisant al ferestrei poate fi instalat pe verticală, cu deschiderea kitului glisant al ferestrei în partea de jos.

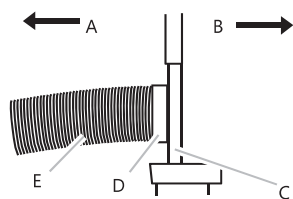


5. Introduceți șurubul de 1/2" (furnizate 2) în orificiul din secțiunea glisantă interioară care este cea mai apropiată de capătul secțiunii glisante exterioare pentru



- A. șurubul de 1/2" (furnizate 2)
- B. Secțiunea glisantă interioară
- C. Secțiunea glisantă exterioară

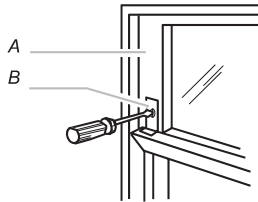
6. Închideți fereastra pe kitul glisant al ferestrei pentru a o fixa.



- | | |
|--|-------------------------------------|
| A. Pe aparatul portabil de aer condiționat | C. Kitul glisant al ferestrei |
| B. În exterior | D. Adaptor de evacuare la fereastră |
| | E. Furtun flexibil de evacuare |

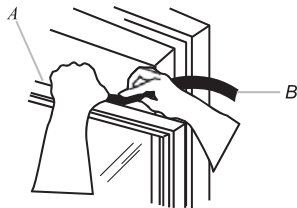
Instalarea completă

1. Așezați suportul de blocare a ferestrei în partea de sus a ferestrei inferioare și pe cerceveaua superioară a ferestrei.
2. Utilizați bitul burghiului de 1/8" pentru a realiza o gaură de pornire prin orificiul din consolă.
3. Atașați suportul de blocare a ferestrei la cerceveaua ferestrei cu șurubul pentru lemn (furnizate 4) pentru a fixa fereastra în poziție.



A. Cercevea superioară a ferestrei
B. Suport de blocare a ferestrei

4. Introduceți garnitura de spumă în spatele părții superioare a cercevei inferioare a ferestrei și pe geamul ferestrei superioare.



A. Partea de sus a cercevei inferioare a ferestrei
B. Etanșare cu spumă

⚠ AVERTISMENT



Pericol de electrocutare

Conectați o priză cu 3 dinți cu împământare. Nu scoateți șiftul de împământare.

Nu utilizați un adaptor.

Nu utilizați un cablu prelungitor.

Nerespectarea acestor instrucțiuni poate duce la deces, incendiu sau electrocutare.

5. Conectați o priză cu 3 dinți cu împământare.

UTILIZAREA APARATULUI LOCAL DE AER CONDIȚIONAT

Utilizarea corespunzătoare a aparatului local de aer condiționat vă ajută să obțineți cele mai bune rezultate posibile.

În această secțiune este explicată funcționarea corespunzătoare a aparatului de aer condiționat.

IMPORTANT:

- Afișajul aparatului de aer condiționat indică temperatura setată.
- Numai în modul de așteptare afișajul indică temperatura ambiantă
- La schimbarea modurilor în timp ce aparatul de aer condiționat este în funcțiune, compresorul se va opri timp cu 3 până la 5 minute înainte

- Dacă un buton este apăsat în acest timp, compresorul nu va reporni timp de încă 3 până la 5 minute.
- În modul Cooling (Răcire) sau Dry (Uscare), compresorul și ventilatorul condensatorului se opresc atunci când temperatura camerei atinge temperatura setată.

NOTĂ: În cazul unei pene de curent, aparatul dvs. de aer condiționat va funcționa la setările anterioare atunci când alimentarea este restabilă.

◆ Starea de funcționare

COOLING (RĂCIRE)	Cea mai bună temperatură a camerei pentru lucrul cu aparatul este de 21°C~35°C
HEATING (ÎNCĂLZIRE)	Cea mai bună temperatură a camerei pentru lucrul cu aparatul este de 7°C~20°C
DRY (USCARE)	Cea mai bună temperatură a camerei pentru lucrul cu aparatul este de 19°C~35°C

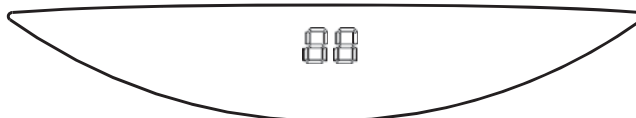
Temperatura anumitor produse este permisă în afara intervalului. Într-o situație specifică, vă rugăm să consultați comerciantul. Dacă aparatul de aer condiționat funcționează în modul COOLING (RĂCIRE) sau DRY (USCARE) cu ușa sau fereastra deschisă pentru o perioadă de timp îndelungată atunci când umiditatea relativă este mai mare de 80%, este posibil să picure rouă din orificiul de evacuare.

Pornirea aparatului local de aer condiționat



NOTĂ: Simbolurile pot fi diferite de aceste modele, dar funcțiile sunt similare.

Front display



Notă: Figurile din acest manual se bazează pe vizualizarea externă a unui model standard. Acestea pot fi diferite de cele ale aparatului de aer condiționat pe care l-ați selectat.

1. Selectați modul. Consultați secțiunea „MODE (MOD)”.
2. Selectați viteza ventilatorului. Consultați secțiunea „FAN (VENTILATOR)”.
3. Setează temperatura. Consultați secțiunea „TEMPERATURE (TEMPERATURĂ)”.
4. Apăsăți butonul POWER (ALIMENTARE) pentru a porni aparatul

de aer condiționat.



POWER

NOTĂ:

Când aparatul de aer condiționat este pornit, acesta va funcționa în conformitate cu setarea anterioară.

Numai dacă unitatea este operată într-un aer PUȚIN PROBABIL FOARTE UMED, apa va fi colectată în recipientul din interiorul unității. Dacă recipientul de apă este plin, aparatul de aer condiționat se oprește. Pe ecran va fi afișat mesajul „E5”, pentru a vă informa să goliți recipientul intern.

Mode

Moduri de operare:

1. Apăsăți și eliberați MODE (MOD) până când vedeți că simbolul clipește pentru setarea dorită.



MODE

2. Alegeți Cooling (Răcire), Dry (Uscare), Fan Only (Numai ventilator) sau Heating (Încălzire).

Cooling (Răcire)-Răcește încăperea. Apăsăți pe FAN (VENTILATOR) pentru a selecta valoarea High (Ridicat), Mid (Mediu) sau Low (Scăzut). Apăsăți pe butonul Plus sau Minus pentru a regla temperatura.

COOL

Dry (Uscare)-Uscă încăperea. Aparatul de aer condiționat selectează automat temperatura. Ventilatorul funcționează numai la viteză mică.

NOTĂ: Modul Dry (Uscare) nu trebuie utilizat pentru a răci încăperea.

DRY

Fan Only (Numai ventilator)-Funcționează doar ventilatorul. Apăsăți pe FAN (VENTILATOR) pentru a selecta valoarea High (Ridicat), Mid (Mediu) sau Low (Scăzut).

FAN

Heating (Încălzire)-încălzește încăperea. Apăsăți pe FAN (VENTILATOR) pentru a selecta valoarea High (Ridicat), Mid (Mediu) sau Low (Scăzut). Apăsăți pe butonul Plus sau Minus pentru a regla temperatura.

NOTĂ: Opțiunea Heating (Încălzire) NU este disponibilă doar pentru răcirea aparatului de aer condiționat.

HEAT

Fan Speed (Viteză ventilator)

1. Apăsăți și eliberați FAN (VENTILATOR) pentru a alege viteza dorită a ventilatorului.



FAN

2. Alegeți valoarea High (Ridicat), Mid (Mediu) sau Low (Scăzut). Controlează automat viteza ventilatorului în funcție de temperatura curentă a camerei și de setarea controlului temperaturii.

High (Ridicat)-pentru viteza maximă a ventilatorului

HIGH

Mid (Mediu)-pentru viteza normală a ventilatorului

MED

Low (Scăzut)-pentru viteza minimă a ventilatorului

LOW

Temperature (Temperatură)

Apăsati pe butonul PLUS pentru a crește temperatura. Apăsati o dată pe butonul PLUS pentru a crește temperatura setată cu 1 °C.



Apăsati pe butonul MINUS pentru a reduce temperatura. Apăsati o dată pe butonul MINUS pentru a reduce temperatura setată cu 1 °C.



NOTĂ:

În modul Cooling (Răcire), temperatura poate fi setată între 16°C și 30°C .

În modul Fan Only (Numai ventilator), temperatura nu poate fi setată.

SILENT (SILENȚIOS)

Apăsati pe butonul SILENT (SILENȚIOS) pentru a porni modul silențios.

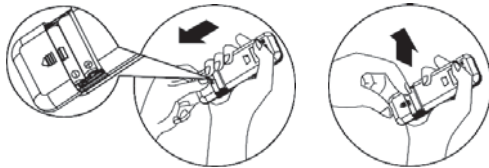


Când se aprinde lumina cu textul SILENT (SILENȚIOS) de pe panoul de comandă, se activează modul silențios.

Utilizarea telecomenzii

Introduceți bateriile

1. Scoateți capacul bateriei în direcția indicată de săgeată.



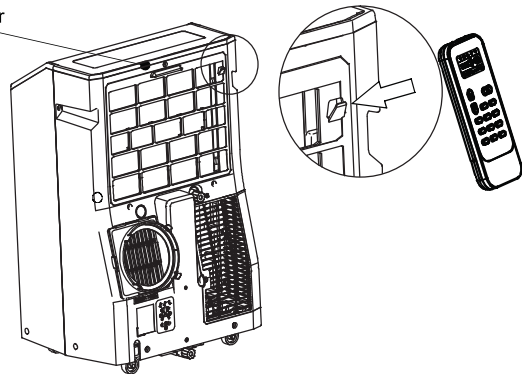
2. Introduceți baterii noi, asigurându-vă că semnele (+) și (-) de pe baterie sunt potrivite corect.
3. Remontați capacul glisându-l înapoi în poziție.



NOTĂ:

- Utilizați 2 baterii LR03 AAA (de 1,5 volți). Nu utilizați baterii reîncărcabile. Înlocuiți bateriile cu altele noi de același tip atunci când este redusă intensitatea luminoasă a afișajului sau după 6 luni.
- Dacă reîncărcați bateriile după scoaterea celor vechi, veți rata presetarea, iar temporizatorul va reveni la zero.

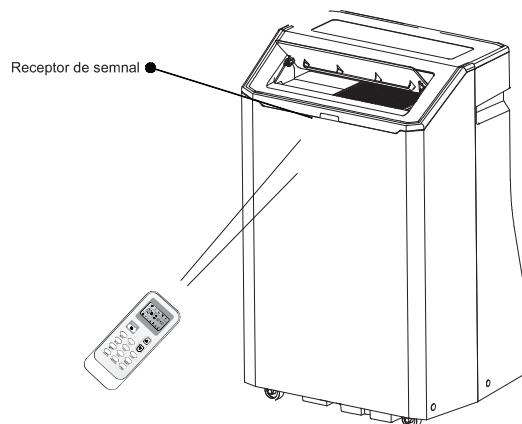
Holder



Modul de utilizare

Pentru a utiliza aparatul de aer condiționat din încăpere, îndreptați telecomanda spre receptorul de semnal.

Telecomanda va opera aparatul de aer condiționat la o distanță de până la 23' (7 m) atunci când este indicată spre receptorul de semnal al aparatului de aer condiționat.

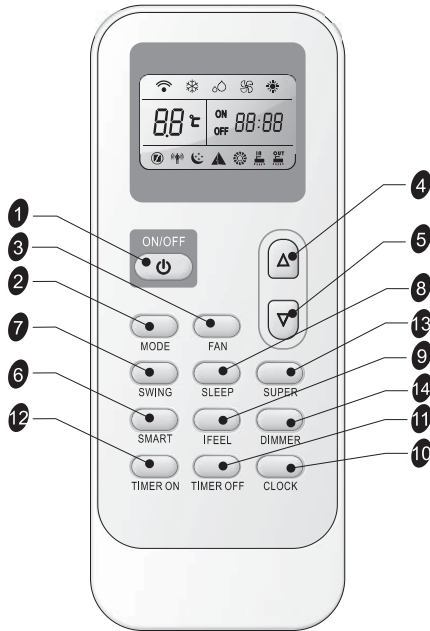


Sfat privind depozitarea

Clema de pe partea din spate a aparatului poate fi utilizată pentru a depozita telecomanda.

Telecomandă

NOTĂ: Aspectul telecomenzii poate fi diferit.



Buton și funcție

1		ON/OFF (PORNIT/OPRIT)	8		SLEEP (SOMN)
2		MODE (MOD)	9		IFEEL
3		FAN (VENTILATOR)	10		CLOCK (CEAS)
4		UP (SUS)	11		Timer Off (Temporizator oprit)
5		DOWN (JOS)	12		Timer On (Temporizator pornit)
6		SMART (INTELIGENT)	13		SUPER
7		SWING (PIVOTARE)	14		DIMMER (REDUCERE INTENSITATE)

Simboluri indicatoare

Indication symbols on LCD:

	Indicator răcire		viteză automată ventilator
	Indicator uscare		viteză ridicată ventilator
	Indicator Fan only (Numai ventilator)		viteză medie ventilator
	Indicator încălzire		viteză mică ventilator

	indicator inteligent		Transmitere semnal
	indicator somn		
	Indicator Ifeel		
	indicator super		Afișarea temperaturii setate

Power On (Pornire) sau Off (Oprire)

Apăsați pe butonul ON/OFF (PORNIT/OPRIT) pentru a porni sau a opri unitatea



NOTĂ: ■ Schimbarea modurilor în timpul funcționării. Uneori, unitatea nu răspunde imediat. Așteptați 3 minute.
■ Așteptați 3 minute înainte de a reporni aparatul.

Mode (Mod)

1. Apăsați pe MODE (MOD) în mod repetat până când vedeți că simbolul clipește pentru setarea dorită.



2. Alegeți Cooling (Răcire), Dry (Uscare), Fan Only (Numai ventilator) și Heating (Încălzire).
■ Cooling (Răcire)-Răcește încăperea. Apăsați pe FAN (VENTILATOR) pentru a selecta valoarea HIGH (RIDICAT), MID (MEDIU) sau LOW (SCĂZUT).
Apăsați pe butonul UP (SUS) sau DOWN (JOS) pentru a regla temperatura.



- Dry (Uscare)-Uscă încăperea. Aparatul de aer condiționat selectează automat temperatura. Ventilatorul funcționează numai la viteză mică. NOTĂ: Modul Dry (Uscare) nu trebuie utilizat pentru a răci încăperea.

O scădere sau o creștere de până la 2°C poate fi setată cu telecomanda dacă vă simțiți în continuare inconfortabil.



- Fan Only (Numai ventilator)-Funcționează doar ventilatorul. Apăsați pe butonul FAN (VENTILATOR) pentru a regla viteza ventilatorului.



NOTĂ: Viteza automată a ventilatorului nu poate fi selectată în modul Fan Only (Numai ventilator).

- Heating (Încălzire)-încălzește încăperea. Apăsați pe FAN (VENTILATOR) pentru a selecta viteza ventilatorului. Apăsați



în sus sau în jos pe butonul TEMP (TEMPERATURĂ) pentru a regla temperatura.

Modul SMART (INTELIGENT)

Apăsați pe butonul SMART (INTELIGENT), modul Smart (Intelligent) (funcționare logică neclară) este direct, indiferent dacă unitatea este pornită sau oprită. În acest mod, temperatura și viteza ventilatorului sunt setate automat în funcție de temperatura reală a camerei. Pentru a anula modul Smart (Intelligent), trebuie doar să apăsați pe butonul MODE (MOD).

răcire rapidă



Modul de funcționare și temperatura sunt determinate de temperatura interioară.

Cu modele de încălzire

Temperatura interioară	Modul de operare	Temperatura țintă
Cel mult 21°C	HEATING (ÎNCĂLZIRE)	22°C
21-23°C	FAN ONLY (NUMAI VENTILATOR)	
23-26°C	DRY (USCARE)	Scăderea temperaturii camerei cu 2°C după o perioadă de funcționare de 3 minute
Peste 26°C	COOLING (RĂCIRE)	26°C

Modele numai pentru răcire

Temperatura interioară	Modul de operare	Temperatura țintă
Cel mult 23°C	FAN ONLY (NUMAI VENTILATOR)	
23-26°C	DRY (USCARE)	Scăderea temperaturii camerei cu 2°C după o perioadă de funcționare de 3 minute
Peste 26°C	COOLING (RĂCIRE)	26°C

NOTĂ: Temperatura, fluxul de aer și direcția sunt controlate automat în modul Smart (Intelligent). Cu toate acestea, o scădere sau o creștere de până la 2°C poate fi setată cu telecomanda dacă vă simțiți în continuare inconfortabil.

What you can do in mode		
Ce resimțiți	Buton	Reglare
Inconfortabil din cauza volumului inadecvat al fluxului de aer.	FAN (VENTILATOR)	Viteza ventilatorului interior alternează între High (Ridicat), Medium (Mediu) și Low (Scăzut) de fiecare dată când este apăsat acest buton.
Inconfortabil din cauza direcției inadecvate a fluxului.	SWING (PIVOTARE)	Apăsați o dată, canalul de ventilație pivotează pentru a modifica direcția fluxului de aer. Apăsați din nou, pivotarea se oprește.

SUPER

Butonul SUPER este utilizat pentru a porni sau a opri răcirea sau încălzirea rapidă.

1. Apăsați pe butonul SUPER. Aparatul de aer condiționat setează automat viteza ventilatorului la valoarea High (Ridicat) și temperatura la 16°C. Încălzirea rapidă funcționează la viteza automată a ventilatorului, schimbând automat temperatura setată la 30°C.



2. Pentru a dezactiva comanda Super, apăsați pe orice buton de pe telecomandă sau de pe panoul de comandă, cu excepția Timer On (Temporizator pornit), Timer Off (Temporizator oprit), Clock (Ceas), Dimmer (Reducere intensitate), Ifeel și Swing (Pivotare).

NOTĂ:

- În modul SUPER puteți seta direcția fluxului de aer sau temporizatorul.
- Modul SMART (INTELIGENT) nu este disponibil în modul SUPER.
- Butonul SUPER este ineficient în modul SMART (INTELIGENT).

răcire rapidă



încălzire rapidă



Fan Speed (Viteză ventilator)

1. Apăsați pe butonul FAN (VENTILATOR), alegeți viteza dorită a ventilatorului.

Auto → High → Medium → Low

- Auto (Automat)-controlează automat viteza ventilatorului în funcție de temperatura curentă a camerei și de setarea controlului temperaturii.

NOTĂ: Viteza automată a ventilatorului nu poate fi selectată în modul Fan Only (Numai ventilator).



- High (Ridicat) pentru viteza maximă a ventilatorului



- Mid (Mediu) pentru viteza normală a ventilatorului

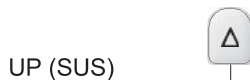


- Low (Scăzut) pentru viteza minimă a ventilatorului



Temperature (Temperatură)

- Apăsați pe butonul UP (SUS) pentru a crește temperatura. Apăsați o dată pe butonul UP (SUS) pentru a crește temperatura setată cu 1 °C.



- Apăsați pe butonul DOWN (JOS) pentru a reduce temperatura. Apăsați o dată pe butonul DOWN (JOS) pentru a reduce temperatura setată cu 1 °C.



NOTE:

- În modul Cooling (Răcire) și Heating (Încălzire), temperatura poate fi setată între 16°C și 30°C .
- În modul Fan Only (Numai ventilator), temperatura nu poate fi setată.

Modul Sleep (Somn)

Modul SLEEP (SOMN) poate fi setat în modul de operare Cooling (Răcire), Heating (Încălzire) sau Dry (Uscare). Această funcție vă oferă un mediu mai confortabil pentru somn.



NOTĂ:

- Aparatul se oprește automat din funcționare după 8 ore de funcționare.
- Viteza ventilatorului este setată automat la valoarea Low (Scăzut).
- În modul Cooling (Răcire), dacă temperatura curentă a camerei este sub 26°C, temperatura va crește automat cu 1°C în prima oră după activarea comenzii Sleep (Somn), apoi va rămâne aceeași. Dacă temperatura camerei este de cel puțin 26°C, temperatura setată nu se va schimba.
- În modul Heating (Încălzire), temperatura setată va scădea cu cel mult 3°C timp de 3 ore în mod constant, apoi va rămâne constantă.

1. Apăsați pe MODE (MOD) pentru a selecta Cooling (Răcire), Heating (Încălzire) sau Dry (Uscare).

NOTĂ: Comanda Sleep (Somn) nu poate fi selectată atunci când este selectată opțiunea Fan Only (Numai ventilator) sau SMART (INTELLIGENT).

2. Apăsați pe butonul UP (SUS) sau DOWN (JOS) pentru a seta temperatura.
3. Apăsați pe SLEEP (SOMN). După 5 secunde, luminile de pe afișajul panoului de comandă se vor estompa.

NOTĂ: Temperatura și direcția fluxului de aer pot fi reglate în timpul comenzii Sleep (Somn). Viteza ventilatorului este setată automat la valoarea Low (Scăzut). După 5 secunde, luminile de pe afișajul panoului de comandă se vor estompa din nou.

4. Pentru a dezactiva comanda Sleep (Somn), apăsați pe SLEEP (SOMN), MODE (MOD), FAN (VENTILATOR), ON/OFF (PORNIT/OPRIT), SUPER sau așteptați 8 ore astfel încât comanda Sleep (Somn) să se dezactiveze automat.

NOTĂ: Aparatul de aer condiționat va reveni la setările anterioare după oprirea comenzii Sleep (Somn).

I FEEL (CE RESIMT)

Este activat senzorul de temperatură încorporat în telecomandă. Poate să detecteze temperatura înconjurătoare și să transmită semnalul înapoi către unitate. Unitatea poate regla temperatura astfel încât să asigure un confort maxim.



NOTĂ:

Utilizată pentru a seta funcționarea în modul IFEEL. Apăsați o dată, funcția IFEEL va fi pornită. Apăsați din nou, funcția IFEEL va fi oprită. Dacă funcția IFEEL nu poate fi oprită, vă rugăm să încercați să apăsați pe acest buton timp de aproximativ 5 secunde.

Sfaturi pentru a pune telecomanda în locul în care unitatea interioară primește semnal cu ușurință.
Sfaturi pentru anularea modului IFEEL, astfel încât să se economisească energie la oprirea aparatului de aer condiționat.



DIMMER (REDUCERE INTENSITATE)

Apăsați pe butonul DIMMER (REDUCERE INTENSITATE) pentru a stinge lumina și afișajul de pe unitate.



NOTĂ:

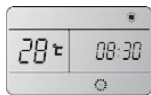
- Când lumina este stinsă, semnalul de recepție va aprinde din nou lumina.

Funcția Clock (Ceas)

1. Puteți să reglați ora în timp real apăsând pe butonul CLOCK (CEAS)



2. Utilizarea butoanelor Up (Sus) și Down (Jos) pentru a obține ora corectă.



3. Apăsați din nou pe butonul CLOCK (CEAS) pentru a seta ora în timp real.

TIMER ON/OFF (TEMPORIZATOR PORNIT/OPRIT)

Este convenabil să setați pornirea temporizatorului cu butoanele TIMER ON/OFF (TEMPORIZATOR PORNIT/OPRIT)

Înainte de a pleca, astfel încât să reveniți la temperatura confortabilă a camerei pe care ați setat-o.

NOTĂ: Este comanda pentru temporizatorul real. Mai întâi trebuie să setați opțiunea CLOCK (CEAS).

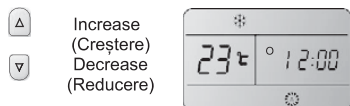
Pentru setarea TIMER ON (TEMPORIZATOR PORNIT)

Butonul TIMER ON (TEMPORIZATOR PORNIT) poate fi utilizat pentru a porni automat aparatul la ora pe care o setați.

1. Apăsați pe TIMER ON (TEMPORIZATOR PORNIT), apoi pe LCD clipește mesajul „On 12:00” (La 12:00).



2. Apăsați pe butonul UP (SUS) sau DOWN (JOS) pentru a obține ora dorită la care să porniți aparatul.



- Apăsați o dată pe butonul UP (SUS) sau DOWN (JOS) pentru a crește sau reduce setarea orei cu 1 minut.
- Apăsați și mențineți apăsat butonul UP (SUS) sau DOWN (JOS) pentru a crește sau reduce setarea orei cu 10 minute.
- Apăsați și mențineți apăsat butonul UP (SUS) sau DOWN (JOS) pentru o perioadă mai îndelungată pentru a crește sau reduce setarea orei cu 1 oră.

3. Când ora dorită este afișată pe LCD, apăsați pe butonul TIMER ON (TEMPORIZATOR PORNIT) pentru a o confirma.
Se aude un „bip”, butonul „ON” (PORNIT) nu mai clipește intermitent.
Se aprinde indicatorul TIMER (TEMPORIZATOR) de pe aparat.
4. După ce ora dorită este afișată timp de 5 secunde, pe ecranul LCD al telecomenzii va fi afișat ceasul în locul orei dorite.

Pentru a anula funcția Timer On (Temporizator pornit)

Apăsați din nou pe butonul TIMER ON (TEMPORIZATOR PORNIT), se aude un „bip” și indicatorul dispăre, modul TIMER ON (TEMPORIZATOR PORNIT) a fost anulat.

NOTĂ: Este similar cu setarea TIMER OFF (TEMPORIZATORULUI OPRIT), puteți determina aparatul să se oprească automat la orice oră pe care o setați.



SWING (PIVOTARE)

Apăsați o dată pe SWING (PIVOTARE) pentru a schimba direcția fluxului de aer pe verticală. Apăsați din nou pentru a opri canalul de ventilație pentru fluxul de aer în direcția dorită a fluxului de aer.



NOTĂ:

- Fluxul de aer este reglat automat la un anumit unghi în conformitate cu modul de operare, după pornirea unității.
- Direcția fluxului de aer poate fi, de asemenea, reglată după propria dvs. cerință, apăsând pe butonul SWING (PIVOTARE).
- Nu rotiți manual canalele de ventilație pentru reglarea pe verticală, în caz contrar pot apărea defecțiuni. Dacă se întâmplă acest lucru, mai întâi opriți unitatea și întrerupeți alimentarea cu energie, apoi restabiliți alimentarea cu energie.

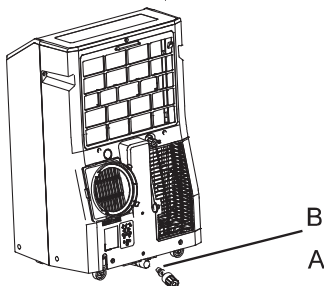
Sunete normale

Când aparatul de aer condiționat funcționează în condiții normale, auziți sunete cum ar fi:

- Mișcarea aerului din ventilator.
- Clicuri de la ciclul termostatului.
- Vibrații sau zgomote din cauza construcției necorespunzătoare a pereților sau a ferestrelor.
- Un zumzet ascuțit sau un zgomot intermitent cauzat de ciclul de pornire și de oprire a compresorului modern de înaltă eficiență.

ÎNGRIJIREA APARATULUI LOCAL DE AER CONDIȚIONAT

Golirea aparatului de aer condiționat



A. Capac principal de scurgere
B. Dop principal de scurgere

▲ AVERTISMENT

Pericol de greutate excesivă

Utilizați două sau mai multe persoane pentru a muta și instala aparatul de aer condiționat.

Nerespectarea acestui lucru poate duce la vătămări ale spatelui sau de altă natură.

1. Scoateți din priză aparatul de aer condiționat sau deconectați alimentarea.
2. Mutați aparatul de aer condiționat într-o locație de scurgere sau în exterior.

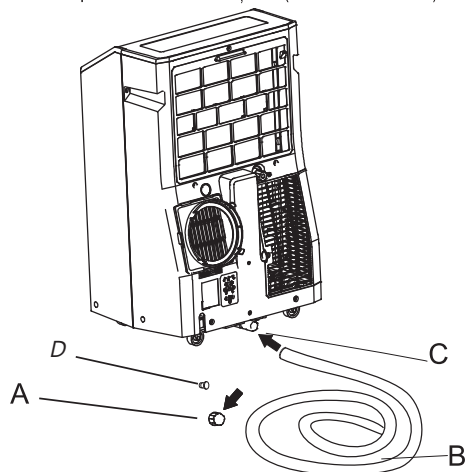
NOTĂ: Pentru a evita scurgerea apei din unitate, mutați încet aparatul de aer condiționat și mențineți-l la nivel.

3. Scoateți capacul principal de scurgere și ștecărul.
4. Scurgeți complet apa prin orificiul de scurgere.

NOTĂ: Dacă aparatul de aer condiționat va fi depozitat după utilizare, consultați secțiunea „Depozitarea după utilizare”.

5. Reinstalați bușonul de scurgere în orificiul principal de scurgere.
6. Reinstalați capacul principal de scurgere în orificiul de scurgere.
7. Repoziționați aparatul de aer condiționat.
8. Introduceți în priză aparatul de aer condiționat sau reconectați alimentarea.

Golirea aparatului de aer condiționat (modele de încălzire)



A. Port principal de scurgere
B. Furtun de scurgere
C. Orificiu principal de scurgere
D. Dop principal de scurgere

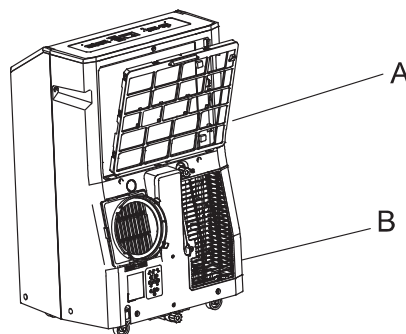
AVERTISMENT: Conectați furtunul de scurgere în modul de încălzire sau unitatea se va opri din funcționare după ce apa atinge nivelul de avertizare.

1. Descoperiți portul principal de scurgere.
2. Atașați furtunul de scurgere la furtunul principal de scurgere. Asigurați-vă că nu există scurgeri de apă la nivelul conectorului.
3. Așezați celălalt capăt al furtunului de scurgere la un canal de scurgere. Verificați dacă furtunul este drept și se află în scurgere. Asigurați capătul furtunului care ajunge în scurgere, astfel încât acesta să fie la un nivel mai scăzut decât capătul furtunului care se conectează la unitate. Furtunul nu trebuie răsucit sau prins.

Curățarea exteriorului

1. Apăsăți pe ON/OFF (PORNIT/OPRIT) pentru a opri aparatul de aer condiționat.
2. Scoateți din priză aparatul de aer condiționat sau deconectați alimentarea.
3. Scoateți filtrul de aer și curățați-l separat. Consultați secțiunea „curățarea filtrului de aer”.
4. Ștergeți exteriorul aparatului de aer condiționat cu o lavetă moale și umedă.
5. Introduceți în priză aparatul de aer condiționat sau reconectați alimentarea.
6. Apăsăți pe ON/OFF (PORNIT/OPRIT) pentru a porni aparatul de aer condiționat.

Curățarea filtrului de aer



A. Ușa panoului filtrului de admisie aer al evaporatorului
B. Ușa panoului filtrului de admisie aer al condensatorului

1. Apăsăți pe ON/OFF (PORNIT/OPRIT) pentru a opri aparatul de aer condiționat.
2. Deschideți și înlăturați ușa panoului filtrului din spatele aparatului de aer condiționat.
3. Demontați și înlăturați șurubul de filetare de pe ușa panoului filtrului de admisie a aerului pentru condensator.
4. Utilizați un aspirator pentru a curăța filtrul. Dacă filtrul este foarte murdar, spălați filtrul în apă caldă cu un detergent slab. **NOTĂ:** Nu spălați filtrul în mașina de spălat vase și nu utilizați produse chimice de curățare.
5. Uscați filtrul complet cu aer înainte de a-l înlocui pentru a asigura o eficiență maximă.
6. Reatașați filtrul de aer la ușa panoului filtrului.
7. Reinstalați ușa panoului filtrului și șurubul de filetare.
8. Apăsăți pe ON/OFF (PORNIT/OPRIT) pentru a porni aparatul de aer condiționat.

Depozitarea după utilizare

Dacă aparatul de aer condiționat nu va fi utilizat pentru o perioadă de timp îndelungată:

1. Scurgeți complet apa. Consultați secțiunea „golirea aparatului de aer condiționat”.
2. Lăsați să meargă aparatul de aer condiționat setat pe funcția Fan Only (Numai ventilator) timp de aproximativ 12 ore pentru a usca aparatul de aer condiționat.
3. Scoateți din priză aparatul de aer condiționat.

DEPANAREA

Înainte de a apela la service, încercați sugestiile de mai jos pentru a vedea dacă vă puteți rezolva problema fără ajutor din exterior.

Aparatul de aer condiționat nu funcționează

 **AVERTISMENT**



Pericol de electrocutare
Conectați o priză cu 3 dinți cu împământare.
Nu scoateți știftul de împământare. Nu utilizați un adaptor.
Nu utilizați un cablu prelungitor.
Nerespectarea acestor instrucțiuni poate duce la deces, incendiu sau electrocutare.

- **Cablul de alimentare este deconectat.**
Conectați o priză cu 3 dinți cu împământare. Consultați secțiunea „Cerințe privind componentele electrice”.
- **Se utilizează o siguranță cu temporizare întârziată sau un disjuncteur cu temporizare întârziată.**
Înlocuiți cu o siguranță sau un disjuncteur cu temporizare întârziată cu capacitate corectă. Consultați secțiunea „Cerințe privind componentele electrice”.
- **S-a ars o siguranță de uz casnic sau s-a declanșat un disjuncteur.**
Înlocuiți siguranța sau reseați disjuncteurul. Consultați secțiunea „Cerințe privind componentele electrice”.
- **Butonul On/Off (Pornit/Oprit) nu a fost apăsat.**
Apăsați pe ON/OFF (PORNIT/OPRIT).
- **Alimentarea locală cu energie s-a defectat.**
Așteptați ca alimentarea să fie restabilă.

Aparatul de aer condiționat arde siguranțele sau declanșează disjunctoarele

- **Prea multe aparate sunt utilizate pe același circuit.**
Deconectați sau mutați aparatele care împart același circuit.
- **Încercați să reporniți aparatul de aer condiționat prea curând după oprirea aparatului de aer condiționat.**
Așteptați cel puțin 3 minute după oprirea aparatului de aer condiționat înainte de a încerca să îl reporniți.
- **Ați schimbat modurile.**
Așteptați cel puțin 3 minute după oprirea aparatului de aer condiționat înainte de a încerca să îl reporniți.

Aparatul de aer condiționat pare să funcționeze pentru o perioadă prea îndelungată

- **Este deschisă o ușă sau o fereastră?**
Țineți ușile și ferestrele închise.
- **Aparatul de aer condiționat actual a înlocuit un model mai vechi.**
Utilizarea unor componente mai eficiente poate face ca aparatul de aer condiționat să funcționeze o perioadă mai îndelungată decât un model mai vechi, dar consumul total de energie va fi mai mic. Aparatele de aer condiționat mai noi nu emit „suflul” de aer rece cu care poate v-ați obișnuit de la unitățile mai vechi, dar acest lucru nu indică o capacitate sau eficiență de răcire mai mică. Consultați clasa de eficiență (EER) și clasa de capacitate (în Btu/h) marcate pe aparatul de aer condiționat.
- **Aparatul de aer condiționat se află într-o încăpere cu grad mare de ocupare sau în încăpere sunt utilizate aparate producătoare de căldură.**
Utilizați ventilatoarele de evacuare în timp ce gătiți sau faceți baie și încercați să nu utilizați aparate producătoare de căldură în cea mai fierbinte parte a zilei. Aparatele portabile de aer condiționat sunt proiectate pentru răcirea suplimentară a zonelor locale dintr-o încăpere. Poate fi necesar un aparat de aer condiționat cu o capacitate mai mare, în funcție de dimensiunea încăperii care este răcită.

Aerul condiționat funcționează doar pentru o perioadă scurtă de timp, dar încăperea nu este rece

- **Temperatura setată este aproape de temperatura camerei.**
Reduceți temperatura setată. Consultați secțiunea „Utilizarea aparatului portabil de aer condiționat”.

Afișarea codului de eroare

- **În cazul în care pe unitate este afișat codul de eroare E5, unitatea este plină de apă, trebuie să scurgeți apa, consultați secțiunea „Golirea aparatului de aer condiționat”.**
După golire, puteți utiliza din nou unitatea.
- **În cazul în care pe unitate este afișat codul de eroare E1/E2/E3//E6/E7/EA, vă rugăm să contactați serviciul clienți.**

Aparatul de aer condiționat funcționează, dar nu răcește

- **Filtrul este murdar sau obstrucționat de impurități.**
Curățați filtrul.
- **Ieșirea de aer este blocată.**
Goliți ieșirea aerului.
- **Temperatura setată este prea mare.**
Reduceți temperatura setată.

Aparatul de aer condiționat rulează prea multe cicluri de pornire și de oprire

- **Aparatul de aer condiționat nu este dimensionat corespunzător pentru încăperea dvs.**
Verificați capacitățile de răcire ale aparatului portabil de aer condiționat.

Aparatele portabile de aer condiționat sunt proiectate pentru răcirea suplimentară a zonelor locale dintr-o încăpere.

- **Filtrul este murdar sau obstrucționat de impurități.**
Curățați filtrul.
- **În încăpere este o căldură sau o umiditate excesivă de la prepararea alimentelor în recipiente deschise, dușuri etc.).**

Utilizați un ventilator pentru a evacua căldura sau umiditatea din încăpere. Încercați să nu utilizați aparate producătoare de căldură în cea mai fierbinte parte a zilei.

- **Canalele de ventilație sunt blocate.**
Instalați aparatul de aer condiționat într-un loc în care nu există perdele, jaluzele, piese de mobilier etc., care să obstrucționeze canalele de ventilație.

Hisense

NÁVOD K OBSLUZE

Děkujeme velmi pěkně za zakoupení tohoto klimatizačního zařízení. Před instalací a používáním tohoto spotřebiče si prosím důkladně přečtěte tento návod k obsluze a uschovejte ho pro jeho budoucí využití.

OBSAH

BEZPEČNOSTNÍ POKYNY	3
OCHRANA ŽIVOTNÍHO PROSTŘEDÍ	3
BEZPEČNOSTNÍ OPATŘENÍ	4
POPIS JEDNOTLIVÝCH ČÁSTÍ	13
BEZPEČNOST KLIMATIZACE	14
POŽADAVKY NA INSTALACI	15
POKYNY TÝKAJÍCÍ SE INSTALACE.....	17
POUŽITÍ KLIMATIZAČNÍHO ZAŘÍZENÍ	22
PÉČE O KLIMATIZAČNÍ ZAŘÍZENÍ	30
ODSTRANĚNÍ MOŽNÝCH PROBLÉMŮ	32

BEZPEČNOSTNÍ POKYNY

Tento spotřebič může být používán dětmi staršími 8 let a osobami se sníženými fyzickými, smyslovými nebo duševními schopnostmi, nebo s nedostatkem zkušeností a znalostí, pokud jsou pod dohledem nebo byly tyto osoby poučeny ohledně bezpečného používání spotřebiče a pochopily s tím spojená rizika. Děti se nesmí hrát s tímto spotřebičem. Čištění a uživatelskou údržbu nesmějí provádět děti bez dozoru. Děti by měly být pod dozorem, aby si s přístrojem nehrály.

Pokud je poškozen napájecí kabel, musí ho vyměnit výrobce, jeho servisní zástupce nebo osoba s podobnou kvalifikací, aby se předešlo nebezpečí. Zařízení musí být nainstalováno v souladu s národními předpisy. Rozsah venkovních statických tlaků je -0,2 Pa až 0,2 Pa. Zařízení uchovávejte ve vzdálenosti 5 m nebo více od hořlavých povrchů.

Klimatizační zařízení nepoužívejte ve vlhké místnosti, jako je například koupelna nebo prádelna.

OCHRANA ŽIVOTNÍHO PROSTŘEDÍ

Toto zařízení je vyrobeno z recyklovatelného nebo znovu využitelného materiálu. Likvidace musí být provedena v souladu s místními předpisy týkajícími se likvidace odpadu. Před likvidací zařízení nezapomeňte odříznout napájecí kabel tak, aby nebylo možné zařízení opětovně použít.

Podrobnější informace o manipulaci a recyklaci tohoto výrobku získáte od vašich místních úřadů, které se zabývají separovaným sběrem odpadu nebo v prodejně, kde jste zařízení zakoupili.

LIKVIDACE ZAŘÍZENÍ

Toto zařízení je označeno podle evropské směrnice 2012/19/EU, Likvidace elektrických a elektronických zařízení (WEEE).

Toto označení znamená, že tento výrobek by neměl být likvidován spolu s ostatním komunálním odpadem v celé EU. Aby se předešlo možným škodám na životním prostředí nebo lidském zdraví při nekontrolované likvidaci odpadu, zodpovědně ho recyklujte, pro podporu udržitelného opětovného využití materiálních zdrojů.

Pokud chcete použité zařízení vrátit, použijte prosím systém vrácení a sběru, nebo kontaktujte prodejce, od kterého jste zařízení zakoupili.

Mohou tento výrobek recyklovat v souladu s ochranou životního prostředí.



BEZPEČNOSTNÍ OPATŘENÍ

Bezpečnostní opatření pro používání chladiva R290

Základní instalační postupy jsou stejné jako u konvenčního chladiva (R22 nebo R410A).

Avšak dbejte na následující body:

UPOZORNĚNÍ

1. **Přeprava zařízení obsahujícího hořlavá chladiva**

Dodržování směrnic týkajících se přepravy

2. **Označení zařízení pomocí značek**

Dodržování místních předpisů

3. **Likvidace zařízení používajícího hořlavá chladiva**

Dodržování místních předpisů

4. **Skladování zařízení/spotřebičů**

Skladování zařízení by mělo být v souladu s pokyny výrobce.

5. **Skladování zabaleného (neprodaného) zařízení**

- Ochranné skladovací balení by mělo být konstruováno tak, aby mechanické poškození zařízení uvnitř balení nezpůsobilo únik chladicí náplně.
- Maximální počet kusů zařízení, které lze skladovat společně, bude určen místními předpisy.

6. **Informace o servisu**

6-1 **Kontrola oblasti**

Před zahájením prací na systémech obsahujících hořlavá chladiva, je třeba provést bezpečnostní kontroly, aby se tak zajistilo minimalizování rizika vznícení. Při opravách chladicího systému, se před provedením prací na systému musí dodržovat následující bezpečnostní opatření.

6-2 **Pracovní postup**

Práce by měla být provedena v rámci kontrolovaného postupu tak, aby se minimalizovalo riziko přítomnosti hořlavých plynů nebo výparů v průběhu provádění práce.

6-3 **Všeobecná pracovní oblast**

- Všichni pracovníci údržby a ostatních prací v místní oblasti musí být poučeni o charakteru prováděných prací. Je třeba se vyhnout pracím v uzavřených prostorech.
- Oblast kolem pracovního prostoru by měla být oddělena. Zajistěte, aby byly podmínky v dané oblasti bezpečné ovládním hořlavého materiálu.

6-4 **Kontrola přítomnosti chladiva**

- Tato oblast musí být zkontrolována pomocí příslušného detektoru chladiva před a v průběhu prací, aby se zajistilo, že technik bude znát potenciálně hořlavé ovzduší.
- Zabezpečte, aby bylo použito zařízení na detekování úniků vhodné pro použití s hořlavými chladivy, to znamená, aby nebylo jiskřící, aby bylo přiměřeně utěsněné nebo vnitřně bezpečné.

6-5 **Přítomnost hasicího přístroje**

- Pokud má být na chladicím zařízení nebo jakýchkoliv souvisejících částech provedena nějaká práce s použitím tepla, musí být k dispozici odpovídající zařízení na hašení požáru.
- Mějte k dispozici suchý práškový nebo CO₂ hasicí přístroj.

6-6 **Žádné zdroje vznícení**

- Žádná osoba provádějící práce na chladicím systému, které zahrnují otevření jakékoliv potrubí, které obsahuje nebo obsahovalo hořlavé chladivo, nesmí používat žádné zdroje vznícení, které by mohly vést k nebezpečí vzniku požáru nebo výbuchu.
- Všechny možné zdroje vznícení, včetně zapálené cigarety, by měly být udržovány v dostatečné vzdálenosti od místa instalace, opravy, odstraňování a likvidace v jejichž průběhu se může do okolního prostředí uvolnit hořlavé chladivo.
- Před provedením práce, musí být prostor kolem zařízení prozkoumán, aby se tak předešlo nebezpečí hoření nebo vznícení. Prostor by měl být označen nápisem „Zákaz kouřit“.

6-7 **Větraná oblast**

- Zabezpečte, aby byla oblast otevřená nebo aby byla dostatečně větraná předtím, než vniknete do systému nebo provedete jakoukoliv práci s použitím tepla.
- Stupeň větrání musí pokračovat v průběhu provádění práce.
- Větrání by mělo bezpečně rozptýlit jakékoli uvolněné chladivo a nejlepší by bylo, aby ho vyloučilo do atmosféry.

6-8 **Kontrola chladicího zařízení**

- Při výměně elektrických komponentů, musí být vhodné pro daný účel a pro správnou specifikaci.
- Po celou dobu dodržujte pokyny výrobce týkající se údržby a servisu. Pokud máte nějaké pochybnosti, poraďte se s technickým oddělením výrobce.
- Následující kontroly platí pro zařízení využívající hořlavá chladiva:
 - Zda je velikost náplně v souladu s velikostí místnosti, ve které jsou nainstalovány části obsahující chladivo;
 - Zda větrací zařízení a vývody fungují adekvátně a zda nejsou zablokovány;
 - Pokud je používán nepřímý chladicí okruh, sekundární okruh by měl být zkontrolován na přítomnost chladiva;
 - Zda je označení na zařízení i nadále viditelné a čitelné.

Označení a znaky, které jsou nečitelné, by měly být opraveny;

- Zda chladicí potrubí nebo komponenty jsou nainstalovány v takové poloze, v níž není pravděpodobné, že by byly vystaveny jakékoli látce, která může korodovat komponenty obsahující chladivo, pokud nejsou tyto komponenty konstruovány z materiálů, které jsou ve své podstatě odolné vůči korodování nebo jsou vhodně chráněny před korodováním.

6-9 Kontrola elektrických zařízení

- Oprava a údržba elektrických komponentů by měla zahrnovat počáteční bezpečnostní kontroly a postupy kontroly komponentů.
- Pokud existuje porucha, která by mohla ohrozit bezpečnost, nesmí být k okruhu připojen žádný zdroj elektrické energie, pokud nebude problém uspokojivě vyřešen.
- Pokud není možné chybu odstranit ihned, ale je třeba pokračovat v provozu, mělo by být přijato vhodné dočasné řešení.
- Mělo by to být oznámeno majiteli zařízení, aby byli poučeni všichni účastníci.
- Počáteční bezpečnostní kontroly by měly zahrnovat:
 - Vybití kondenzátorů: musí to být provedeno bezpečným způsobem, aby nedošlo k jiskření;
 - Aby v průběhu plnění, obnovování nebo čištění systému nebyly otevřeny žádné funkční elektrické komponenty a elektrické vedení;
 - Zda existuje nepřerušené uzemnění.

7. Opravy utěsněných komponentů

- Při opravách utěsněných komponent, musí být před odstraněním utěsněných krytů atd. odpojeny všechny zdroje elektrické energie od zařízení, na kterém se pracuje.
- Pokud je nezbytné mít k dispozici napájení elektrickou energií zařízení během servisu, musí být na nejkritičtějších místech umístěna trvale fungující forma detekce úniku, která upozorňuje na potenciálně nebezpečnou situaci.
- Zvláštní pozornost musí být věnována následujícím skutečnostem, k zajištění toho, aby se při pracích na elektrických komponentech nezměnil obal takovým způsobem, že bude ovlivněna úroveň ochrany.
- Patří sem poškození kabelů, nadměrný počet připojení, svorky, které nebyly vyrobeny podle původní specifikace, poškození těsnění, nesprávné připevnění ucpávek atd.
- Ujistěte se, zda je zařízení bezpečně namontováno.
- Ujistěte se, zda nejsou těsnění nebo těsnicí materiály zničeny takovým způsobem, že více nesplňují účel ochrany před vniknutím hořlavého vzduchu.
- Náhradní díly musí být v souladu se specifikacemi výrobce.

POZNÁMKA:

Použití silikonového tmelu může zabránit účinnosti některých typů zařízení pro detekci netěsností. Bezpečné komponenty v podstatě nemusí být izolovány, předtím než se na nich pracuje.

8. Oprava vnitřně bezpečných komponentů

- Nepoužívejte žádné trvale indukční nebo kapacitní zatížení obvodu, aniž abyste zajistili, že nebude překročeno přípustné napětí a proud povolený pro používané zařízení.
- Vnitřně bezpečné komponenty jsou jen ty typy, se kterými je možné pracovat, zatímco jsou používány v přítomnosti hořlavého ovzduší. Testovací zařízení by mělo mít správné hodnoty.
- Komponenty vyměňte jen za části specifikované výrobcem.
- Jiné části mohou způsobit vznícení chladiva v ovzduší v důsledku netěsnosti.

9. Kabeláž

- Zkontrolujte, zda nebude kabeláž vystavena opotřebení, korozi, nadměrnému tlaku, vibracím, ostrým okrajům nebo jiným nepříznivým účinkům na životní prostředí.
- Při kontrole by měly být rovněž zohledněny účinky stárnutí nebo neustálých vibrací ze zdrojů, jako jsou kompresory nebo ventilátory.

10. Detekce hořlavých chladiv

- Za žádných okolností se při hledání nebo zjišťování úniku chladiva nesmí používat potenciální zdroje vznícení.
- Nesmí se používat halogenidový hořák (nebo jakýkoli jiný detektor používající otevřený plamen).

11. Způsoby detekce úniku

- Následující způsoby detekce úniku jsou považovány za přijatelné pro systémy obsahující hořlavé chladivo:
 - Elektronické detektory úniku by měly být použity na detekování hořlavého chladiva, ale jejich citlivost nemusí být přiměřená, nebo mohou vyžadovat opětovnou kalibraci. (Detekční zařízení by mělo být kalibrováno v oblasti bez chladiva.)
 - Ujistěte se, zda detektor není potenciálním zdrojem vznícení a zda je vhodný pro použité chladivo.
 - Zařízení na detekci úniku by mělo být nastaveno na procentuální hodnotu LFL chladiva a mělo by být kalibrováno pro použité chladivo a potvrdí se příslušné procento plynu (maximálně 25 %).
 - Kapaliny na detekci úniku jsou vhodné pro použití s většinou chladiv, ale vyhněte se používání čisticích prostředků obsahujících chlor, protože chlór může reagovat s chladivem a korodovat měděné potrubí.
 - Pokud existuje podezření na netěsnost, všechny otevřené plameny musí být odstraněny/zhasnuty.
 - Pokud je zjištěn únik chladiva, který bude vyžadovat pájení natvrdo, veškeré chladivo musí být ze systému vypuštěno nebo musí být izolováno (pomocí uzavíracích ventilů) v části systému vzdálené od úniku.
 - Dusík neobsahující kyslík (OFN) by měl být pak puštěn do systému před i během procesu pájení.

12. Odstranění a evakuace

- V případě průniku do chladicího okruhu pro provádění oprav – nebo na jakýkoli jiný účel – musí být použity konvenční postupy.
- Je však důležité, aby se dodržovaly osvědčené postupy, protože je třeba
- zohlednit hořlavost.
- Dodržujte následující postup:
 - Odstraňte chladivo;
 - Pročistěte okruh inertním plynem;
 - Evakuujte;
 - Opět pročistěte inertním plynem;
 - Otevřete okruh řezáním nebo pájením.
- Chladicí náplň je třeba dostat zpět do správných regeneračních láhví.
- Systém musí být „propláchnut“ pomocí OFN, na zajištění ochrany zařízení.
- Tento proces může být nutné opakovat několikrát.
- Stlačený vzduch nebo kyslík se nesmí používat pro tento účel.
- Propláchnutí se dosáhne narušením vakua v systému s OFN a pokračujícím plněním, dokud nedosáhnete pracovního tlaku, následným odvodem do ovzduší, a nakonec vytvořením vakua.
- Tento proces je třeba opakovat tolikrát, dokud se v systému nenachází žádné chladivo. Při použití konečné náplně OFN, by měl být systém odvzdušněn na atmosférický tlak, pro umožnění fungování.
- Tato operace je naprosto nezbytná v případě pájení na pracovním potrubí.
- Ujistěte se, zda není výstup pro vakuové čerpadlo v blízkosti žádných zdrojů vznícení a zda je dostupné větrání.

13. Postupy plnění

- Kromě běžných procesů plnění, je třeba dodržovat následující požadavky:
 - Zabezpečte, aby při používání plnicího zařízení nedocházelo ke kontaminaci různých chladiv.
 - Hadice nebo potrubí by měly být co nejkratší, aby se minimalizovalo množství chladiva, které se v nich nachází.
 - Plnicí lahve musí být ve vzpřímené poloze.
 - Před plněním systému chladivem se ujistěte, zda je chladicí systém uzemněn.
 - Označte systém po dokončení plnění (pokud ještě není).
 - Věnujte mimořádnou pozornost tomu, aby se chladicí systém nepřeplnil.
- Před opětovným plněním systému musí být tlak přezkoušen pomocí OFN.
- Systém musí být přezkoušen na netěsnosti po ukončení plnění, ale ještě před uvedením do provozu.
- Následná zkouška netěsnosti by měla být provedena před opuštěním místa.

14. Vyřazení

- Před provedením tohoto postupu je nezbytné, aby byl technik zcela seznámen se zařízením a všemi jeho detaily.
- Doporučujíc se osvědčené postupy, aby byla všechna chladiva bezpečně obnovena.
- Před uskutečněním úlohy, odeberte vzorek oleje a chladiva pro případ potřeby analýzy před opětovným použitím získaného chladiva. Je důležité, aby byla k dispozici elektrická energie před zahájením úlohy.
 - a) Seznamte se se zařízením a jeho provozem.
 - b) Izolujte systém elektricky.
 - c) Před pokusem provedení postupu se ujistěte, zda:
 - Je v případě potřeby k dispozici mechanické manipulační zařízení, pro manipulaci s tlakovými nádobami chladiva;
 - Jsou k dispozici všechny prostředky osobní ochrany a zda jsou používány správně;
 - Je proces obnovy neustále pod dohledem kompetentní osoby;
 - Zda zařízení na znehodnocování a láhve zodpovídají příslušným normám.
 - d) Pokud je to možné, odčerpajte chladicí systém.
 - e) Pokud není možné dosáhnout podtlak, vytvořte sběrné potrubí tak, aby bylo možné odstranit chladivo z různých částí systému.
 - f)) Ujistěte se, zda se tlaková nádoba nachází v hodnotách před obnovením.
 - g) Spustte zařízení na obnovu a používejte ho v souladu s pokyny výrobce.
 - h) Nepřepřlňujte tlakové nádoby. (Ne více než 80 % objemové kapalné
 - i) náplně).
 - l) Nepřesahujte maximální pracovní tlak tlakové nádoby, a to ani dočasně.
 - j) Pokud byly tlakové nádoby správně naplněné a proces byl dokončen, ujistěte se, zda jsou tlakové nádoby a zařízení správně odebrány a zda jsou všechny uzavírací ventily na zařízení zavřené.
 - k) Recyklované chladivo se nesmí plnit do jiného chladicího systému, pokud není vyčištěno a zkontrolováno.

15. Označování

- Zařízení musí být označeno tak, že bylo vypuštěno a vyprázdněno chladivo.
- Štítek musí být označen datem a podepsán.
- Ujistěte se, zda jsou na zařízení štítky, které uvádějí, že zařízení obsahuje hořlavé chladivo.

16. Odstranění

- Při vypuštění chladiva ze systému, ať už za účelem opravy nebo vyřazení z provozu, doporučujeme osvědčené postupy pro bezpečné odstranění všeho chladiva.
- Při přesunu chladiva do tlakových nádob se ujistěte, zda jsou použity pouze vhodné tlakové nádoby na sběr chladiva.
- Ujistěte se, zda je k dispozici správný počet tlakových nádob na zachycení celkové náplně systému.
- Všechny tlakové nádoby, které mají být použity, jsou určeny na obnovené chladivo a označeny pro toto chladivo (to znamená, speciální tlakové nádoby na sběr chladiva).
- Tlakové nádoby musí být vybaveny tlakovým pojistným ventilem a příslušnými uzavíracími ventily v dobrém provozním stavu.
- Tyto tlakové nádoby se odklidí a pokud je to možné, před sběrem ochladí.
- Sběrné zařízení musí být v dobrém provozním stavu se souborem pokynů týkajících se zařízení, které jsou na dosah ruky a musí být vhodné pro sběr hořlavých chladiv.
- Kromě toho, musí být k dispozici souprava kalibrovaných vah a musí být v dobrém provozním stavu.
- Hadice musí být úplně s odpojovacími spojkami a v dobrém stavu.
- Před použitím sběrného zařízení zkontrolujte, zda je v dostatečném provozním stavu, zda je správně udržováno a zda jsou všechny přiřazené elektrické komponenty utěsněny, aby nedošlo ke vznícení v případě úniku chladiva.
- V případě pochybností se obraťte na výrobce.
- Získané chladivo se musí vrátit dodavateli chladiva ve správné sběrné tlakové nádobě a musí se zařadit příslušná poznámka o přepravě odpadů.
- Nemíchejte chladiva ve sběrných zařízeních, a především ne v tlakových nádobách.
- Pokud je třeba odstranit kompresory nebo kompresorové oleje, dbejte na to, aby byly odklizeny na přijatelnou úroveň pro zajištění toho, že hořlavé chladivo nezůstane v mazivu.
- Proces odklizení musí být proveden před vrácením kompresoru dodavatelem.
- Jen elektrický ohřev těla kompresoru by měl být použit na urychlení tohoto procesu.
- Při vypouštění oleje ze systému, to musí být provedeno bezpečně.

UPOZORNĚNÍ

- Při přesouvání nebo přemísťování klimatizačního zařízení požádejte zkušené servisní techniky o odpojení a přeinstalování zařízení.





- Neumísťujte žádné jiné elektrické výrobky nebo domácí potřeby pod vnitřní jednotku nebo venkovní jednotku. Odkapávání kondenzace ze zařízení může způsobit jejich navlhnutí a může způsobit poškození nebo poruchu vašeho majetku.
- Nepoužívejte jiné prostředky k urychlení procesu rozmrazování nebo čištění, než jaké doporučuje výrobce.
- Zařízení neskladujte v místnosti s nepřetržitě fungujícími zdroji vznícení (jako je například otevřený plamen, fungující plynový spotřebič nebo fungující elektrický ohřívač).
- Žádné části zařízení nepropichujte ani nespalujte.
- Mějte na paměti, že chladivo nemusí obsahovat aromatickou látku.
- Udržujte všechny větrací otvory bez překážek.
- Zařízení musí být skladováno v dobře větrané místnosti, kde velikost prostoru odpovídá ploše místnosti, která je specifikována na provoz.
- Zařízení musí být skladováno tak, aby se zabránilo jeho mechanickému poškození.

UPOZORNĚNÍ

- Každá osoba, která se zabývá prací na nebo vniknutím do chladicího okruhu, by měla mít aktuální platné osvědčení od orgánu pověřeného posuzováním v průmyslu, který opravňuje ke způsobilosti bezpečně manipulovat s chladicími prostředky v souladu s průmyslově uznanými specifikacemi.
- Servis musí být prováděn pouze podle doporučení výrobce zařízení.
- Údržba a oprava vyžadující pomoc jiného odborného personálu by měla být prováděna pod dohledem osoby odpovědné za používání hořlavých chladiv.
- Nepoužívejte jiné prostředky k urychlení procesu rozmrazování nebo čištění, než jaké doporučuje výrobce.
- Zařízení se musí instalovat, používat a skladovat v místnosti s podlahovou plochou větší než: +AP-09C*4GN*S0*(8.2m²), +AP-09H*4GN*S0*(8.2m²)
+AP-12C*4GQ*S0*(14.5m²), +AP-12H*4GQ*S0*(14.5m²)
- Připojení potrubí musí být v souladu s vnitrostátními plynárenskými předpisy.
- Prostory, ve kterých je potrubí s chladivem, musí být v souladu s vnitrostátními plynárenskými předpisy.
- Servis musí být proveden pouze podle doporučení výrobce.
- Všechny pracovní postupy, které ovlivňují bezpečnostní prostředky, by měly být provedeny pouze kompetentními osobami.

- Maximální množství chladicí náplně je 0,936 kg.
- Mechanické spojky používané v interiéru musí být v souladu s normou ISO 14903. Pokud jsou mechanické spojky opětovně použity v interiéru, musí být obnoveny těsnicí části. Pokud jsou v interiéru opětovně použity kloubové spoje, rozšířená část musí být vytvořena znovu.
- Instalace potrubí musí být omezena na minimum.
- Mechanické spoje musí být přístupné pro účely údržby.

Vysvětlení symbolů zobrazených na vnitřní jednotce nebo venkovní jednotce.

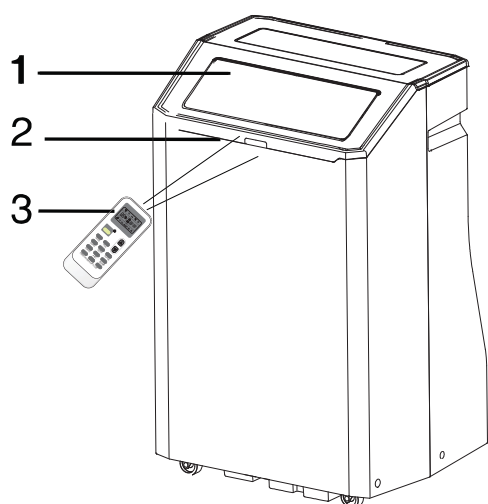
 Nebezpečí požáru	VAROVÁNÍ	Tento symbol zobrazuje, že toto zařízení používá hořlavé chladivo. Pokud chladivo vyteče a je vystaveno působení vnějšího prostředí.
	UPOZORNĚNÍ	Tento symbol zobrazuje, že je třeba si pečlivě přečíst návod k obsluze.
	UPOZORNĚNÍ	Tento symbol zobrazuje, že obsluhující personál by měl manipulovat s tímto zařízením s ohledem na instalační návod.
	UPOZORNĚNÍ	Tento symbol zobrazuje, že jsou k dispozici informace, jako je například návod k obsluze nebo instalační návod.

Parametr pojistky zařízení:

+AP-09C*4GN*S0*(T3.15A, 250V), +AP-09H*4GN*S0*(T3.15A, 250V)
 +AP-12C*4GQ*S0*(T3.15A, 250V), +AP-12H*4GQ*S0*(T3.15A, 250V)

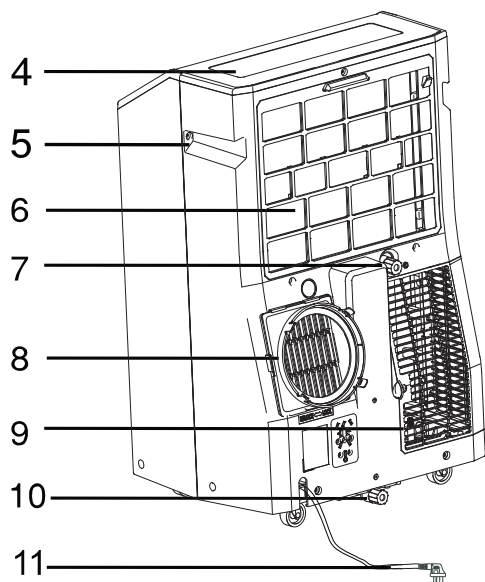
POPIS JEDNOTLIVÝCH ČÁSTÍ

• Přední strana

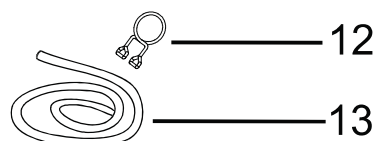


- ❶ Výstup studeného vzduchu
- ❷ Přijímač signálu
- ❸ Dálkový ovladač
- ❹ Ovládací panel
- ❺ Převážná rukojeť
- ❻ Přívod vzduchu z výparníku
- ❼ Sekundární odtokový otvor
- ❽ Vzduchová hadice
- ❾ Vstup vzduchu kondenzátoru
- ❿ Primární odtokový otvor

• Zadní strana



- ❿ Napájecí kabel
- ⓫ Spona odtokové hadice (modely s tepelným čerpadlem)
- ⓬ Odtoková hadice (modely s tepelným čerpadlem)



⚠ Obrázky uvedené v tomto návodu jsou založeny na vnějším pohledu na standardní model. Mohou se lišit od klimatizačního zařízení, které máte vybrané.

BEZPEČNOST KLIMATIZACE

Vaše bezpečnost a bezpečnost ostatních je velmi důležitá.

V tomto návodu a na vašem zařízení je uvedeno mnoho důležitých bezpečnostních zpráv. Vždy si přečtete a dodržujte všechny bezpečnostní zprávy.



Toto je bezpečnostní výstražný symbol.

Tento symbol vás upozorňuje na případné nebezpečí, které může zabít nebo ublížit vám a ostatním. Všechny bezpečnostní zprávy budou s bezpečnostním výstražným symbolem a slovem „NEBEZPEČÍ“ nebo „VAROVÁNÍ“. Tato slova znamenají:



NEBEZPEČÍ

Pokud ihned nedodržíte následující pokyny, můžete být usmrceni nebo vážně zraněni.



VAROVÁNÍ

Pokud nebudete dodržovat následující pokyny, můžete být usmrceni nebo vážně zraněni.

Všechny bezpečnostní zprávy vám sdělí, jaká jsou potenciální rizika, jak snížit možnost poranění a co se může stát, pokud nebudete dodržovat dané pokyny.

Důležité bezpečnostní pokyny

VAROVÁNÍ: Abyste snížili nebezpečí vzniku požáru, úrazu elektrickým proudem nebo poranění při používání vaší klimatizace, postupujte podle těchto základních bezpečnostních opatření:

- Zařízení připojte k uzemněné 3bodové zásuvce.
- Neodstraňujte uzemňovací bod.
- Nepoužívejte adaptér.
- Nepoužívejte prodlužovací kabel.
- Před provedením servisu odpojte klimatizační zařízení z elektrické sítě.
- Přemístění a instalaci klimatizace by měly provést dvě osoby a více.

USCHOVEJTE SI TENTO NÁVOD K OBSLUZE

Likvidace zařízení

- Před likvidací zařízení je třeba vyjmout bateriové články a bezpečně je zlikvidovat z důvodu recyklace.
- Pokud potřebujete zlikvidovat zařízení, obraťte se na svého prodejce. Pokud je potrubí odstraněno nesprávně, může dojít k úniku chladiva a jeho kontaktu s vaší pokožkou, což může způsobit poranění. Uvolnění chladiva do ovzduší také škodí životnímu prostředí. Recyklujte nebo zlikvidujte obalový materiál výrobku ekologicky odpovědným způsobem.
- Nikdy neskladujte ani nepřpravujte klimatizační zařízení naopak nebo na boku, aby nedošlo k poškození kompresoru.
- Spotřebič není určen pro používání malými dětmi ani zdravotně postiženými osobami bez dozoru. Malé děti by měly být pod dozorem na zajištění toho, aby si nehrály se zařízením.

POŽADAVKY NA INSTALACI

Nástroje a díly

Před zahájením instalace shromážděte potřebné nástroje a díly. Přečtěte si a dodržujte pokyny dodané se všemi zde uvedenými nástroji.

Potřebné nástroje

Křížový šroubovák

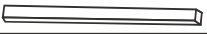





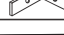



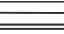
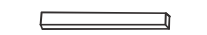





Nůžky

Tužka

Akumulátorová vrtačka a 1/8" vrták

Dodávané díly

S přenosnou klimatizací jsou dodávány následující díly.

Část	Popis	Množství
	A. Pěnové těsnění	1 ks
	B. Spojka	1 ks
	C. Pružná výfuková hadice	1 ks
	D. Okenní výfukový adaptér	1 ks
	E. Nýty	4 ks
	F. Šrouby	4 ks
	G. Držák zámku okna	2 ks
	H. Vnější část jezdece s ventilačním otvorem	1 ks
	I. Vnitřní posuvná část – krátká	1 ks
	J. vnitřní posuvná část	1 ks
	K. Vnější část jezdece	1 ks
	L. Pěnové těsnění – dlouhé	2 ks
	M. Pěnové těsnění – krátké	2 ks
	N. Vypouštěcí hadice (modely tepelných čerpadel)	1 ks
	O. Spona vypouštěcí hadice (modely tepelných čerpadel)	1 ks
	P. Dálkové ovládání	1 ks
	Q. Standardní baterie AAA (1,5 V)	2 ks

Poznámka

VELIKOST AAA 1,5V MERCURY FREE SUPER HEAVY DUTY R03 UM-4
NEJLÉPE POUŽÍT PŘED DATOVÝM KÓDEM (MĚSÍC-ROK) Baterie může při spolknutí UVEDENÝM DOLE

Nemíchejte staré a nové baterie. Nemíchejte alkalické baterie, Nenabíjecí baterie se nesmí Standardní (uhlíkové – zinkové), ani dobíjecí (niklové dobíjet - kadmiové) baterie.

Pozor na požití

Baterie může způsobit dusení při spolku dětmi

Nenabíjecí baterie se nesmí dobíjet

Vyčerpané baterie musí být vyjmuty z výrobku

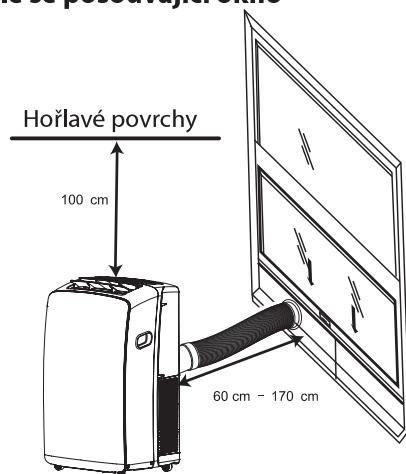
NEVHAZUJTE BATERIE DO OHNĚ. BATERIE MOHOU EXPLODOVAT NEBO VYTĚCT.

Požadavky na umístění

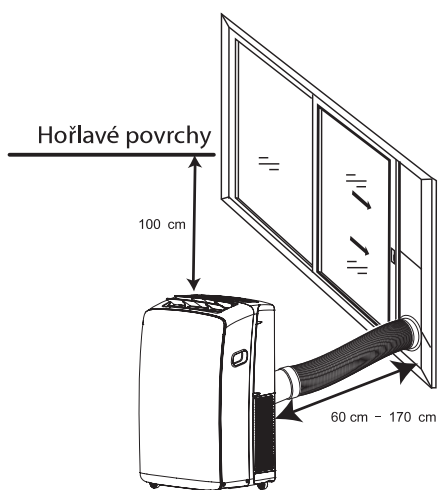
POZNÁMKY:

- Ohybná výfuková hadice umožňuje umístit klimatizační zařízení v rozmezí 60 cm a 170 cm od okna nebo dveří. U zařízení s přídatnými ohřivači, je minimální vzdálenost od zařízení k hořlavým povrchům 100 cm.
- Přenosná klimatizační zařízení jsou navržena jako doplňkové chlazení prostorů v místnosti.

Svisle se posouvající okno



Vodorovně se posouvající okno



POZNÁMKY:

- Na zajištění správného větrání, dodržte požadovanou vzdálenost od výstupu vzduchu ke stěně nebo jiným překážkám minimálně 60 cm.
- Neblokujte výstup vzduchu.
- Zajistěte snadný přístup k uzemněné elektrické zásuvce.

Požadavky na napájení elektrickou energií

⚠ VAROVÁNÍ



Nebezpečí úrazu elektrickým proudem

Připojte k uzemněné elektrické zásuvce. Neodstraňujte uzemnění. Nepoužívejte adaptér. Nepoužívejte prodlužovací kabel. Nedodržení těchto pokynů může mít za následek smrt, požár nebo úraz elektrickým proudem.

- Toto přenosné klimatizační zařízení by mělo být připojeno k 220–240 V, 50 Hz, uzemněné 3bodové elektrické zásuvce s 20 A pojistkou.
- Doporučuje se používat pojistku s časovým zpožděním nebo jistič s časovým zpožděním.
- Všechny vodiče musí být v souladu s místními a národními elektrickými standardy a musí být nainstalovány kvalifikovaným elektrikářem. Pokud máte jakékoliv dotazy, kontaktujte kvalifikovaného elektrikáře.

POKYNY TÝKAJÍCÍ SE INSTALACE

Vybalení klimatizačního zařízení

VAROVÁNÍ

Nebezpečí nadměrné hmotnosti

Přemístění a instalaci klimatizačního zařízení musí provést dvě nebo více osob. V opačném případě může dojít k poranění zad nebo jinému poranění.

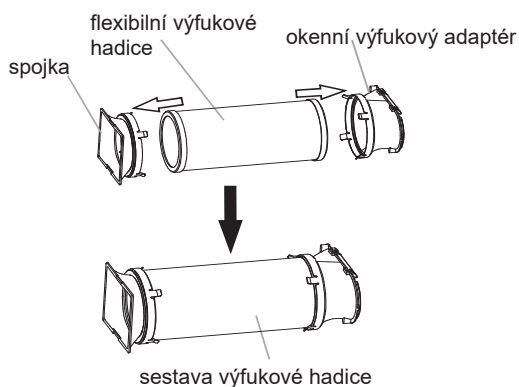
Odstranění obalových materiálů

- Odstraňte a zlikvidujte/recyklujte obalové materiály.
- Před zapnutím klimatizačního zařízení odstraňte zbytky lepicí pásky a lepidla z povrchu. Na prsty rozetřete malé množství tekutého mýdla a naneste ho na lepidlo. Omyjte teplou vodou a vysušte.
- Na odstranění lepicí pásky nebo lepidla nepoužívejte ostré předměty, alkohol, hořlavé kapaliny ani abrazivní čisticí prostředky. Tyto produkty mohou poškodit povrch klimatizačního zařízení.
- Manipulujte se zařízením jemně.

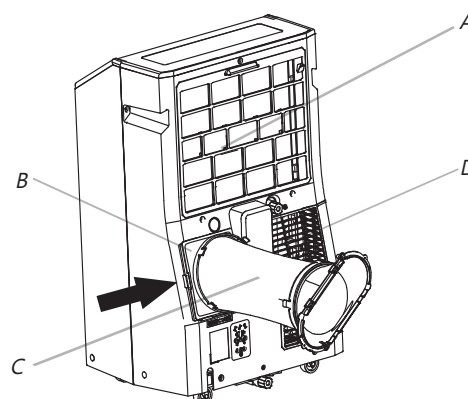
Instalace klimatizačního zařízení (na okno)

Instalace výfukové hadice a adaptéru

1. Umístěte klimatizační jednotku na zvolené místo. viz "Požadavky na umístění".
2. Příprava sestavy výfukové hadice: Zasuňte spojku a okenní výfukový adaptér do ohebné výfukové hadice. Spojka i okenní výfukový adaptér mají integrované svorky, které se nacvaknou na hadici.



3. Vložte atrapu spojky do otvoru na zadní straně klimatizace.
4. Posunutím dolů zajistěte hadici na místě.

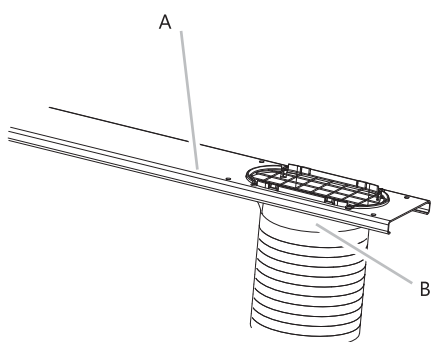


- A. Sání vzduchu do výparníku
 B. Slepá spojka
 C. Pružná výfuková hadice
 D. Přívod vzduchu ke kondenzátoru

Instalace do okna

Vaše souprava šoupátek do okna byla navržena tak, aby vyhovovala většině standardních oken se svislým nebo vodorovným otevíráním. Přemístěte klimatizační zařízení na zvolené místo. Viz „Požadavky na umístění“.

1. Vložte výfukový adaptér do okna do otvoru v soupravě okenního posuvníku.



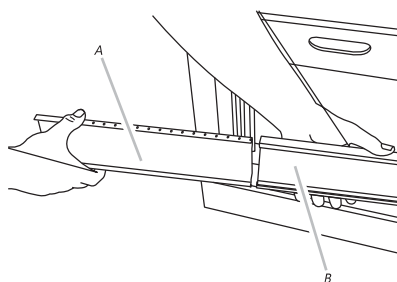
- A. Souprava okenního posuvníku
B. Adaptér výfuku přes okno

2. Pomocí dvou šroubů, podložek a matic (dodávané příslušenství), připevněte dešťový kryt k soupravě okenního posuvníku pro svislou nebo vodorovnou instalaci.

3. Otevřete okno.

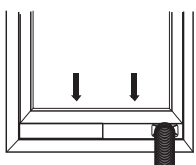
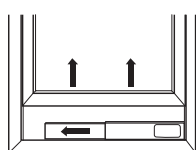
4. Změřte rozměry okenního otvoru.

- Pokud je okenní otvor příliš úzký pro soupravu okenního posuvníku, vyndejte ze soupravy vnitřní část posuvníku.

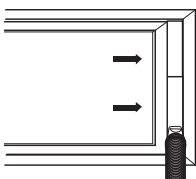
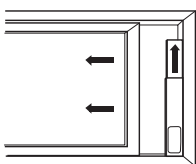


- A. Vnitřní část posuvníku
B. Vnější část posuvníku

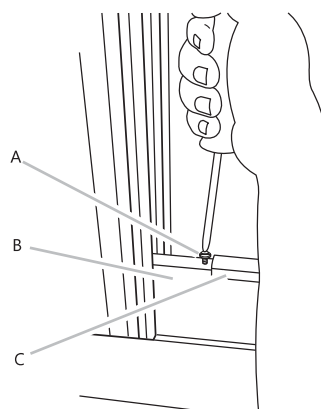
- Pomocí pilky odřízněte vnitřní část posuvníku tak, aby odpovídala okennímu otvoru.
 - Nasuňte vnitřní část posuvníku na vnější část soupravy okenního posuvníku.
5. Umístěte soupravu okenního posuvníku do okna a roztáhněte ji tak, aby odpovídala šířce okna. Ujistěte se, zda je dešťový kryt na vnější straně okna.



POZNÁMKA: Při instalaci okenního křídla, může být souprava okenního posuvníku nainstalována svisle s otevíráním soupravy okenního posuvníku ve spodní části.

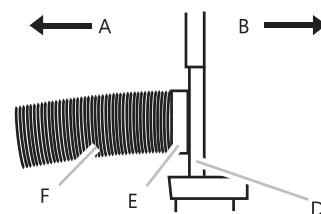


6. Vložte 1/2" šroub (zajistěte 2) do otvoru ve vnitřní části posuvníku, která je nejbližší ke konci vnější části posuvníku.



- A. 1/2"šroub (zajistěte 2)
B. Vnitřní část posuvníku
C. Vnější část posuvníku

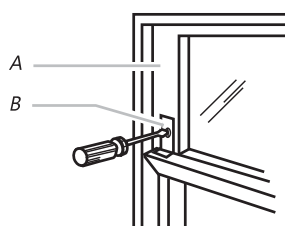
7. Zavřete okno na soupravě okenního posuvníku a zajistěte ho.



- A. K přenosnému klimatizačnímu zařízení
B. Venku
D. Souprava okenního posuvníku
E. Adaptér výfuku přes okno
F. Ohybné výfukové potrubí

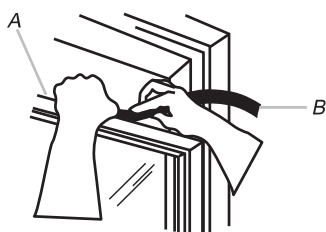
Dokončení instalace

1. Umístěte držák okenní zámky na horní část spodního okna a proti hornímu okennímu křídlu.
2. Pomocí 1/8" vrtáku vyvrtejte startovací otvor přes otvor v držáku.
3. Pomocí samořezného šroubu připevněte držák okenní zámku k okennímu křídlu (zajistěte 4), na zajištění okna na svém místě.



- A. Horní okenní křídlo
- B. Držák okenního zámku

4. Vložte pěnové těsnění za horní část spodního okenního křídla a proti sklu horního okna.



- A. Horní část spodního okenního křídla
- B. Pěnové těsnění

VAROVÁNÍ



Nebezpečí úrazu elektrickým proudem

Připojte k uzemněné elektrické zásuvce.
Neodstraňujte uzemnění.
Nepoužívejte adaptér. Nepoužívejte prodlužovací kabel.
Nedodržení těchto pokynů může mít za následek smrt, požár nebo úraz elektrickým proudem.

5. Připojte zařízení k uzemněné elektrické zásuvce.

POUŽITÍ KLIMATIZAČNÍHO ZAŘÍZENÍ

Použití klimatizačního zařízení vám pomůže dosáhnout nejlepších možných výsledků. Tato část popisuje správnou činnost klimatizačního zařízení.

DŮLEŽITÉ:

- Na displeji klimatizačního zařízení je zobrazena nastavená teplota.
- Pouze v pohotovostním režimu je na displeji zobrazena okolní teplota.
- Při změně režimů v průběhu provozu klimatizačního zařízení, se kompresor zastaví 3 až 5 minut předtím.
- Pokud v průběhu tohoto kroku stisknete tlačítko, kompresor se nenastartuje dalších 3 až 5 minut.
- V režimu chlazení nebo vysoušení, se kompresor a ventilátor kondenzátoru zastaví, když teplota v místnosti dosáhne nastavené teploty.

POZNÁMKA:

V případě výpadku dodávky elektrické energie, bude vaše klimatizační zařízení pracovat v předchozích nastaveních, když dojde k obnově napájení.

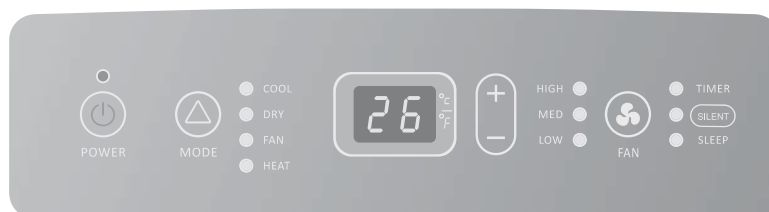
Provozní podmínky

CHLAZENÍ	Nejlepší teplota místnosti pro fungování zařízení je 21 °C~35 °C
VYHŘÍVÁNÍ	Nejlepší teplota místnosti pro fungování zařízení je 7 °C~20 °C
ODVLHČOVÁNÍ	Nejlepší teplota místnosti pro fungování zařízení je 19 °C~35 °C

Teplota některých výrobků je povolena nad rozsah. V konkrétní situaci, se prosím obraťte na prodejce.

Pokud klimatizační zařízení pracuje v režimu CHLAZENÍ nebo ODVLHČOVÁNÍ s otevřenými dveřmi nebo oknem na delší dobu, kdy je relativní vlhkost větší než 80 %, může z výfuku odkapávat zkondenzovaná vlhkost.

Spuštění klimatizačního zařízení



POZNÁMKA:

Symbyly se mohou lišit od symbolů na těchto modelech, ale funkce jsou stejné.

1. Zvolte režim. Viz část „REŽIM“.
2. Zvolte rychlost ventilátoru. Viz část „VENTILÁTOR“.
3. Nastavte teplotu. Viz část „TEPLOTA“.
4. Stisknutím tlačítka POWER spustíte klimatizační zařízení.



POZNÁMKA:

Když je klimatizační zařízení zapnuto, bude fungovat dle předchozího nastavení.

Jen když je zařízení používáno v NEOBVYKLE VELMI VLHKÉM vzduchu, bude se voda shromažďovat v zásobníku uvnitř zařízení. Pokud je zásobník na vodu plný, klimatizační zařízení se zastaví. Na displeji se zobrazí „E5“, čímž vás informuje o nutnosti vyprázdnění vnitřního zásobníku.

Režim

Provozní režimy:

1. Stiskněte a uvolněte tlačítko MODE, dokud nebude blikat symbol pro požadované nastavení.



2. Zvolte Cooling (chlazení), Dry (odvlhčování), Fan Only (jen ventilátor) nebo Heating (vyhřívání).

Chlazení – ochlazuje místnost. Stisknutím tlačítka FAN zvolte vysokou, střední nebo nízkou rychlost. Stisknutím tlačítka PLUS nebo MINUS upravte teplotu.



Odvlhčování – vysouší místnost. Klimatizační zařízení automaticky zvolí teplotu. Ventilátor pracuje jen s nízkou rychlostí.

POZNÁMKA: Režim odvlhčování nesmí být použit na chlazení místnosti.



Jen ventilátor – funguje jen ventilátor. Stisknutím tlačítka FAN zvolte vysokou, střední nebo nízkou rychlost.



Vyhřívání – vytápí místnost. Stisknutím tlačítka FAN zvolte vysokou, střední nebo nízkou rychlost. Stisknutím tlačítka PLUS nebo MINUS upravte teplotu.

POZNÁMKA: Vyhřívání není k dispozici pro chlazení klimatizačního zařízení.



Rychlost ventilátoru

1. Stisknutím a uvolněním tlačítka FAN zvolte požadovanou rychlost ventilátoru.



2. Zvolte vysokou, střední nebo nízkou rychlost.

Auto – automaticky řídí rychlost ventilátoru v závislosti na aktuálním nastavení teploty místnosti a ovládání teploty.

High – maximální rychlost ventilátoru



Mid – normální rychlost ventilátoru



Low – minimální rychlost ventilátoru



Teplota

Stisknutím tlačítka PLUS zvýšíte teplotu. Jedním stiskem tlačítka PLUS zvýšíte nastavení teploty o 1 °C.



Stisknutím tlačítka MINUS snížíte teplotu. Jedním stiskem tlačítka MINUS snížíte nastavení teploty o 1 °C.



POZNÁMKA:

V režimu chlazení je možné nastavit teplotu mezi 16 °C a 30 °C. V režimu ventilátoru nelze nastavit teplotu.

REŽIM TICHÉHO PROVOZU

Stisknutím tlačítka SILENT spustíte režim tichého provozu.

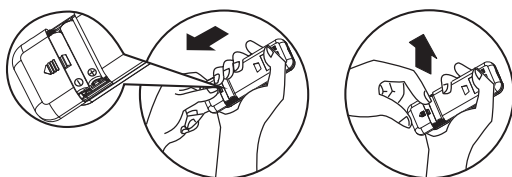


Pokud svítí indikátor SILENT na ovládacím panelu, daný režim je zapnutý.

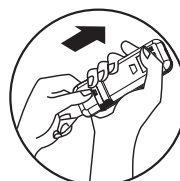
Použití dálkového ovladače

Vložení baterií

1. Vyjměte kryt baterií ve směru šipky.



2. Vložte nové baterie a ujistěte se, zda je (+) a (-) pól baterie správně.
3. Opětovně nasadte kryt, jeho posunutím do původní polohy.

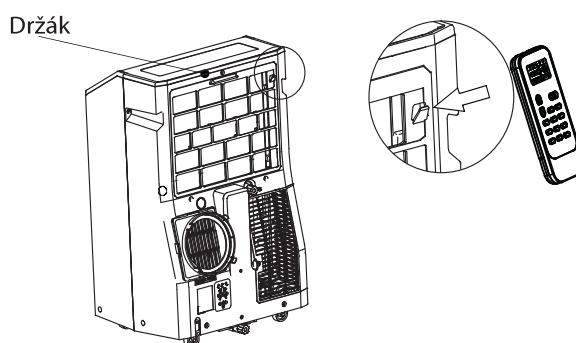


POZNÁMKA:

- Použijte dvě LR03 AAA (1,5 V) baterie. Nepoužívejte dobíjecí baterie. Baterie vyměňte za nové baterie stejného typu tehdy, pokud displej ztmavne nebo po uplynutí 6 měsíců.
- Po vložení baterií po vyjmutí starých baterií, dojde k vymazání nastavení a časovač se vrátí zpět na nulu.

Uskladnění

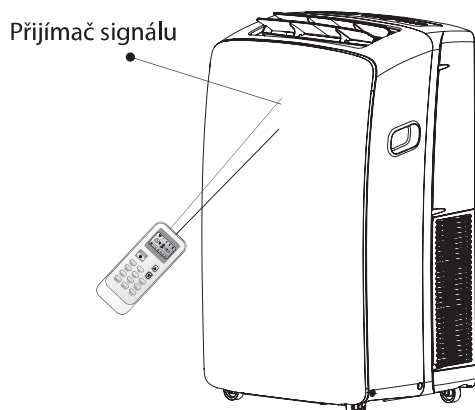
Spona na zadní straně zařízení může být použita pro uložení dálkového ovladače.



Způsob použití

Pokud chcete ovládat klimatizační zařízení, nasměrujte dálkový ovladač na přijímač signálu.

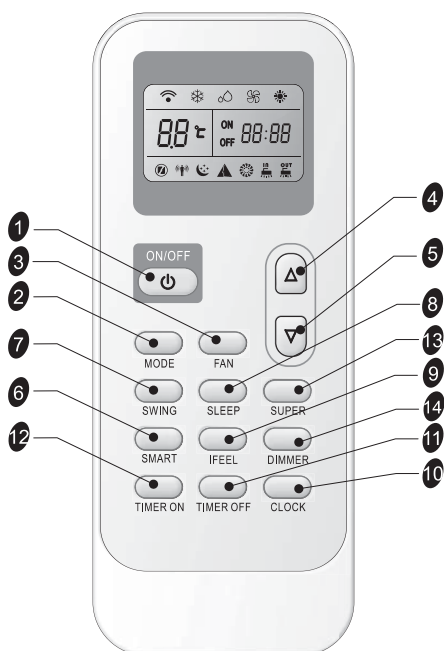
Dálkový ovladač bude ovládat klimatizační zařízení do vzdálenosti 7 m, když ho nasměrujete na přijímač signálu na klimatizačním zařízení.



Dálkový ovladač

POZNÁMKA:

Vzhled dálkového ovladače se může lišit.



Tlačítka a funkce

1		Tlačítka ON/OFF	8		Tlačítka SLEEP
2		Tlačítka MODE	9		Tlačítka IFEEL
3		Tlačítka FAN	10		Tlačítka CLOCK
4		Tlačítka HORE	11		Tlačítka TIMER OFF
5		Tlačítka DOLE	12		Tlačítka TIMER ON
6		Tlačítka SMART	13		Tlačítka SUPER
7		Tlačítka SWING	14		Tlačítka DIMMER

Indikace symbolů

Znázornění symbolů na LCD displeji:

	Indikátor chlazení		Automatická rychlost ventilátoru
	Indikátor odvlhčování		Vysoká rychlost ventilátoru
	Indikátor ventilátoru		Střední rychlost ventilátoru
	Indikátor vyhřívání		Nízká rychlost ventilátoru

	Indikátor režimu Smart		Přenos signálu
	Indikátor režimu Sleep	ON	Zobrazení nastavení časovače
	Indikátor režimu Ifeel	OFF	88:88 Zobrazení aktuálního času
	Indikátor režimu Super	88	88 °C Zobrazení nastavení teploty

Zapnutí nebo vypnutí napájení

Stisknutím tlačítka ON/OFF zapnete nebo vypnete zařízení.



POZNÁMKA:

- Režimy můžete měnit v průběhu provozu. Někdy nebude zařízení vůbec reagovat. Počkejte 3 minuty.
- Před opětovným spuštěním zařízení počkejte 3 minuty.

Režim

- Opakovaně stiskněte tlačítko MODE, dokud nebude blikat symbol pro požadované nastavení.



- Zvolte Cooling (chlazení), Dry (odvlhčování), Fan Only (len ventilátor) nebo Heating (vyhřívání).

- Chlazení – ochlazuje místnost. Stisknutím tlačítka FAN zvolte střední nebo nízkou rychlost. Stisknutím tlačítka NAHORU nebo DOLŮ upravte teplotu.



- Odvlhčování – vysouší místnost. Klimatizační zařízení automaticky zvolí teplotu. Ventilátor pracuje jen s nízkou rychlostí. POZNÁMKA: Režim odvlhčování nesmí být použit na chlazení místnosti.



- Len ventilátor – funguje jen ventilátor. Stiskem tlačítka FAN upravte rychlost ventilátoru.



POZNÁMKA: V tomto režimu nelze zvolit automatickou rychlost ventilátoru.

- Vyhřívání – vytápí místnost. Stisknutím tlačítka FAN zvolte rychlost ventilátoru. Stiskem tlačítka TEMP nahoru nebo dolů upravte teplotu.



Režim SMART

Stiskněte tlačítko SMART, inteligentní režim (logický provoz) je zvolen přímo bez ohledu na to, zda je zařízení zapnuto nebo vypnuto. V tomto režimu se teplota a rychlost ventilátoru nastaví automaticky, podle aktuální teploty v místnosti.

Pokud chcete režim SMART vypnout, stačí stisknout tlačítko MODE.



Provozní režim a teplota je určena podle vnitřní teploty.

U modelů s ohřívačem

Vnitřní teplota	Provozní režim	Cílová teplota
21 °C nebo méně	HEATING	22 °C
21-23 °C	FAN ONLY	
23-26 °C	DRY	Teplota v místnosti se sníží o 2 °C po 3 minutách provozu
Více než 26 °C	COOLING	26 °C

Modely jen s chlazením

Vnitřní teplota	Provozní režim	Cílová teplota
23 °C nebo méně	FAN ONLY	22 °C
23-26 °C	DRY	Teplota v místnosti se sníží o 2 °C po 3 minutách provozu
Více než 26 °C	COOLING	26 °C

POZNÁMKA: Teplota, proudění vzduchu a jeho směr je v režimu SMART ovládaný automaticky. Avšak, pokud se cítíte nepříjemně, je možné teplotu snížit nebo zvýšit o 2 °C pomocí dálkového ovladače.

Co můžete dělat v režimu ▲		
Váš pocit	Tlačítko	Úprava
Nepříjemné kvůli nevhodnému objemu proudění vzduchu.		Rychlost vnitřního ventilátoru se mění mezi vysokou, střední a nízkou, po každém stisknutí tohoto tlačítka.
Nepříjemné kvůli nevhodnému směru proudění vzduchu.		Jedním stiskem se lamely posunou, aby se změnil směr proudění vzduchu. Opětovným stisknutím se posun lamel zastaví.

SUPER

Tlačítko SUPER slouží ke spuštění nebo zastavení rychlého chlazení nebo vyhřívání.

1. Stiskněte tlačítko SUPER. Klimatizační zařízení automaticky nastaví vysokou rychlost ventilátoru a teplotu na 16 °C. Rychlé vyhřívání pracuje s automatickou rychlostí ventilátoru a automaticky změni teplotu na 30 °C.



2. Pokud chcete tento režim vypnout, stiskněte jakékoliv tlačítko na dálkovém ovladači nebo ovládacím panelu s výjimkou tlačítka TIMER ON, TIMER OFF, CLOCK, DIMMER, IFEEL a SWING.

POZNÁMKA:

- V režimu SUPER můžete nastavit směr proudění vzduchu nebo časovač.
- Režim SMART není k dispozici v režimu SUPER.
- Tlačítko SUPER není účinné v režimu SMART.



Rychlost ventilátoru

Stisknutím tlačítka FAN zvolte požadovanou rychlost ventilátoru.



- Auto – automaticky ovládá rychlost ventilátoru v závislosti na aktuální teplotě v místnosti a nastavení ovladače teploty.

POZNÁMKA: Automatickou rychlost ventilátoru není možné zvolit v režimu FAN ONLY.



- Maximální rychlost ventilátoru



- Normální rychlost ventilátoru



- Minimální rychlost ventilátoru



Teplota

- Stisknutím tlačítka NAHORU zvýšíte teplotu. Jedním stiskem tlačítka NAHORU zvýšíte nastavení teploty o 1 °C.



- Stisknutím tlačítka DOLŮ snížíte teplotu. Jedním stiskem tlačítka DOLŮ snížíte nastavení teploty o 1 °C.



POZNÁMKY:

- V režimu chlazení a vyhřívání je možné teplotu nastavit mezi 16 °C a 30°C.
- V režimu ventilátoru není možné teplotu nastavit.

Režim SLEEP

Režim SLEEP je možné nastavit v režimu chlazení, vyhřívání nebo odvlhčování. Tato funkce vám poskytne mnohem pohodlnější prostředí na spánek.



POZNÁMKY:

- Zařízení automaticky zastaví provoz po 8 hodinách.

- Rychlost ventilátoru je automaticky nastavena na nízkou rychlost.
- V režimu chlazení, pokud je aktuální teplota v místnosti nižší než 26 °C, teplota se automaticky zvýší o 1 °C během první hodiny po aktivaci ovladače SLEEP, pak zůstane stejná. Pokud je teplota v místnosti 26 °C nebo víc, nastavená teplota se nezmění.
- V režimu vyhřívání, se nastavená teplota sníží nejvíce o 3 °C na 3 hodiny, potom zůstane stabilní.

1. Stisknutím tlačítka MODE zvolte chlazení, vyhřívání nebo odvlhčování.
POZNÁMKA: Spánkový režim není možné zvolit, pokud je zvolen režim ventilátoru nebo režim SMART.
2. Stisknutím tlačítka NAHORU nebo DOLŮ nastavte teplotu.
3. Stiskněte tlačítko SLEEP. Po 5 sekundách indikátory na ovládacím panelu ztmavnou.
POZNÁMKA: Během režimu spánku lze nastavit teplotu a směr proudění vzduchu. Rychlost ventilátoru je automaticky nastavena na nízkou. Po 5 sekundách indikátory na ovládacím panelu opět ztmavnou.
4. Pokud chcete režim spánku vypnout, stiskněte tlačítko SLEEP, MODE, FAN, ON/OFF, SUPER nebo počkejte 8 hodin a režim spánku se vypne automaticky.

POZNÁMKA: Po vypnutí režimu spánku, se klimatizační zařízení vrátí k předchozím nastavením.

Režim I FEEL

Aktivuje se teplotní snímač vestavěný v dálkovém ovladači.

Dokáže zaznamenat jeho okolní teplotu a odešle signál zpět do zařízení. Zařízení může upravit teplotu tak, aby poskytovalo maximální komfort.



POZNÁMKA:

Slouží k nastavení režimu IFEEL. Jedním stiskem tlačítka, se funkce IFEEL spustí. Opětovným stisknutím tlačítka, funkci IFEEL vypnete. Pokud nelze funkci IFEEL vypnout, zkuste stisknout toto tlačítko na přibližně 5 sekund.

Umístěte dálkový ovladač na místo, kde vnitřní jednotka snadno přijímá signál. Zrušte režim IFEEL, aby se ušetřila energie při zastavení klimatizačního zařízení.



Vypnutí osvětlení

Stiskem tlačítka DIMMER vypnete osvětlení a displej na zařízení.



POZNÁMKA:

- Když je osvětlení vypnuto, příjem signálu osvětlení opět zapne.

Funkce hodin

1. Stiskem tlačítka CLOCK můžete upravit aktuální čas.



2. Pomocí tlačítka NAHORU nebo DOLŮ nastavte správný čas.



3. Opětovným stisknutím tlačítka CLOCK nastavíte aktuální čas.

ZAPNUTÍ/VYPNUTÍ ČASOVAČE

PPomocí tlačítek TIMER ON/OFF zapnout časovač předtím, než odejdete, abyste se vrátili do vámi nastavené pohodlné teploty v místnosti.

POZNÁMKA: Nejdříve byste měli nastavit HODINY.

Zapnutí časovače

Tlačítko TIMER ON je možné použít pro automatické zapnutí zařízení ve vámi nastaveném čase.

1. Stiskněte tlačítko TIMER ON, na displeji začne blikat „On 12:00“.

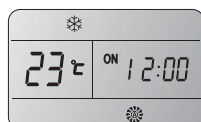


TIMER ON

2. Stisknutím tlačítka NAHORU nebo DOLŮ dosáhnete požadovaný čas pro zapnutí zařízení.

▲ Zvýšení

▼ Snížení



- Jedním stiskem tlačítka NAHORU nebo DOLŮ zvýšíte nebo snížíte nastavení času o 1 minutu.
 - Stiskněte a podržte tlačítko NAHORU nebo DOLŮ na 2 sekundy na zvýšení nebo snížení nastavení času o 10 minut.
 - Delším stiskem a podržením tlačítka NAHORU nebo DOLŮ zvýšíte nebo snížíte nastavení času o 1 hodinu.
3. Když je na displeji zobrazen požadovaný čas, stiskem tlačítka TIMER ON ho potvrďte. Zazní „Akustický signál“ a „ON“ přestane blikat. Na zařízení se rozsvítí indikátor TIMER.
 4. Po 5 sekundách zobrazení požadovaného času, se na displeji dálkového ovladače namísto požadovaného času zobrazí hodiny.

Zrušení časovače

Znovu stiskněte tlačítko TIMER ON, zazní „akustický signál“ a indikátor zmizí. Režim TIMER ON je tak zrušen.

POZNÁMKA: Podobně je nastaven TIMER OFF, přičemž v čase nastavení můžete zařízení automaticky vypnout.



TIMER OFF

SMĚR PROUDĚNÍ VZDUCHU

Jedním stisknutím tlačítka SWING změníte svislý směr proudění vzduchu. Opětovným stisknutím tlačítka zastavíte lamelu proudění vzduchu v požadovaném směru proudění vzduchu.



SWING

POZNÁMKA:

- Proud vzduchu je po zapnutí zařízení automaticky nastaven v určitém úhlu v souladu s provozním režimem.
- Směr proudění vzduchu lze také upravit podle vlastních požadavků stisknutím tlačítka SWING.
- Neotáčejte lamely svislého nastavení proudění vzduchu manuálně, jinak se může vyskytnout porucha. Pokud se tak stane, nejdříve vypněte zařízení a odpojte zdroj elektrické energie a poté opět obnovte napájení.

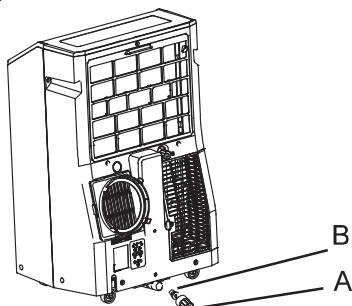
Běžné provozní zvuky

Když vaše klimatizační zařízení pracuje normálně, uslyšíte následující zvuky:

- Pohyb vzduchu z ventilátoru.
- Cvakání z cyklu termostatu.
- Vibrace nebo hluk v důsledku slabé konstrukce stěn nebo okna.
- Hučení nebo pulzující zvuk způsobený zapínáním a vypínáním cyklu moderního vysoce účinného kompresoru.

PÉČE O KLIMATIZAČNÍ ZAŘÍZENÍ

Vypuštění klimatizačního zařízení



- A. Kryt primárního odtoku
B. Zátka primárního odtoku

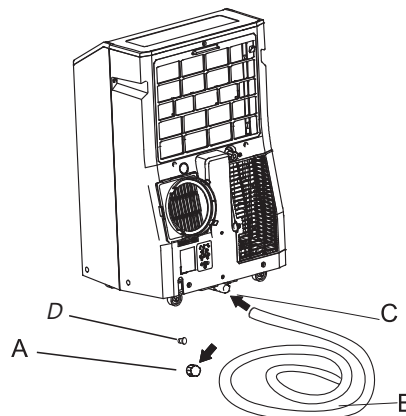
VAROVÁNÍ

Nebezpečí nadměrné hmotnosti

Přemístění a instalaci klimatizačního zařízení musí provést dvě nebo více osob. V opačném případě může dojít k poranění zad nebo jinému poranění.

1. Odpojte klimatizační zařízení od elektrické sítě.
2. Přemístěte klimatizační zařízení na místo vypouštění nebo ven.
POZNÁMKA: Abyste zabránili úniku vody ze zařízení, přesouvejte klimatizační zařízení pomalu a udržujte ho v rovině.
3. Sundejte kryt a zátku primárního odtoku.
4. Úplně vypusťte vodu přes odtokový otvor.
POZNÁMKA: Pokud bude klimatizační zařízení po použití uskladněno, viz „Uložení po použití“.
5. Vraťte zátku odtoku do otvoru primárního odtoku.
6. Vraťte kryt primárního odtoku do odtokového otvoru.
7. Přemístěte klimatizační zařízení na své místo.
8. Připojte klimatizační zařízení do elektrické sítě.

Vypuštění klimatizačního zařízení (Modely s vyhříváním)



- A. Port primárního odtoku
B. Odtoková hadice
C. Otvor primárního odtoku
D. Zátka primárního odtoku

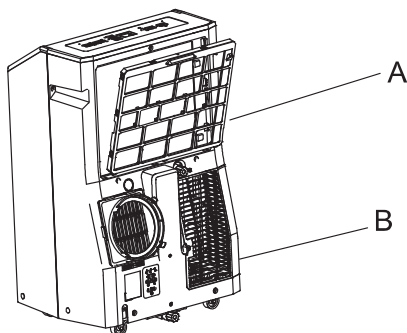
VAROVÁNÍ: Připojte odtokovou hadici v režimu topení, nebo zařízení přestane pracovat, když hladina vody dosáhne varovné úrovně.

1. Odkryjte port primárního odtoku.
2. Připojte odtokovou hadici k otvoru primárního odtoku. Ujistěte se, že přípojka nemá žádné úniky vody.
3. Druhý konec hadice umístěte do výtoku. Ujistěte se, zda hadice leží rovně a co je v odtoku. Ujistěte se, zda ten konec hadice, který přechází do odtoku, je níže než ten konec hadice, který je připojen k zařízení. Hadice nesmí být zalomená ani skřípnutá.

Čištění vnějšího povrchu

1. Stiskem tlačítka ON/OFF vypněte klimatizační zařízení.
2. Odpojte klimatizační zařízení od elektrické sítě.
3. Vyndejte vzduchový filtr a vyčistěte ho samostatně. Viz „Čištění vzduchového filtru“.
4. Vnější povrch klimatizačního zařízení otřete pomocí měkké, vlhké utěrky.
5. Klimatizační zařízení připojte k elektrické síti.
6. Stiskem tlačítka ON/OFF zapněte klimatizační zařízení.

Čištění vzduchového filtru



- A. Kryt panelu filtru přívodu vzduchu výparníku
 B. Kryt panelu filtru přívodu vzduchu kondenzátoru

1. Stiskem tlačítka ON/OFF vypněte klimatizační zařízení.
2. Otevřete kryt panelu filtru na zadní straně klimatizačního zařízení a vyjměte ho.
3. Odšroubujte šroub z krytu panelu filtru přívodu vzduchu kondenzátoru a vyjměte ho.
4. Pomocí vysavače vyčistěte filtr. Pokud je filtr velmi znečištěný, omyjte ho v teplé vodě s mírným čisticím prostředkem.
POZNÁMKA: Nemyjte filtr v myčce nádobí ani nepoužívejte žádné chemické čisticí prostředky.

5. Dříve než filtr vložíte zpět na své místo, vysušte ho na vzduchu, abyste tak zajistili jeho maximální účinnost.
6. Vraťte vzduchový filtr do krytu panelu filtru.
7. Opětovně nainstalujte kryt panelu filtru a zajišťovací šroub.
8. Stiskem tlačítka ON/OFF zapněte klimatizační zařízení.

Uložení po použití


Pokud nebudete klimatizační zařízení používat delší časové období:

1. Úplně vypusťte vodu. Viz část „Vypuštění klimatizačního zařízení“.
2. Nechte klimatizační zařízení spuštěné v režimu ventilátoru přibližně 12 hodin, aby se klimatizační zařízení vysušilo.
3. Odpojte klimatizační zařízení od elektrické sítě.

ODSTRANĚNÍ MOŽNÝCH PROBLÉMŮ

Než zavoláte do servisního střediska, vyzkoušejte níže uvedená doporučení, abyste zjistili, zda dokážete vyřešit svůj problém bez pomoci zvenčí.

Klimatizační zařízení nefunguje


VAROVÁNÍ
<p>Nebezpečí úrazu elektrickým proudem</p> <p>Připojte k uzemněné elektrické zásuvce. Neodstraňujte uzemnění. Nepoužívejte adaptér. Nepoužívejte prodlužovací kabel. Nedodržení těchto pokynů může mít za následek smrt, požár nebo úraz elektrickým proudem.</p>

- **Napájecí kabel je odpojen.**
Připojte jej k uzemněné elektrické zásuvce. Viz část „Požadavky na napájení elektrickou energií“.
- **Je použita pojistka s časovým opožděním nebo jistič s nesprávnou kapacitou.**
Nahradte pojistkou s časovým zpožděním nebo jističem se správnou kapacitou. Viz část „Požadavky na napájení elektrickou energií“.
- **Došlo k vypálení pojistky nebo vyhození jističe v domácnosti.**
Vyměňte pojistku nebo resetujte jistič. Viz část „Požadavky na napájení elektrickou energií“.
- **Nestiskli jste tlačítko ON/OFF.**
Stiskněte tlačítko ON/OFF.
- **Došlo k výpadku elektrické energie.**
Počkejte na obnovu dodávky elektrické energie.

Klimatizační zařízení vypaluje pojistku nebo deaktivuje jistič

- **V jednom okruhu je použito příliš mnoho zařízení.**
Odpojte nebo přemístěte zařízení, která sdílejí stejný okruh.
- **Pokoušíte se znovu spustit klimatizační zařízení příliš brzy po jeho vypnutí.**
Po vypnutí klimatizačního zařízení počkejte minimálně 3 minuty, než se pokusíte zařízení opět zapnout.
- **Změnili jste režimy.**
Po vypnutí klimatizačního zařízení počkejte minimálně 3 minuty, než se pokusíte zařízení opět zapnout.

Zdá se, že klimatizační zařízení pracuje velmi mnoho

- **Nejsou otevřené dveře nebo okno?**
Nechte dveře a okno zavřené.
- **Současné klimatizační zařízení nahradil starší model.**
Používání mnohem účinnějších komponent může způsobit to, že klimatizační zařízení pracuje déle než starší model, ale celková spotřeba energie bude nižší. Novější klimatizační zařízení nevypouštějí „náraz“ studeného vzduchu, jak jste mohli být zvyklí u starších zařízení, ale to není známkou menší kapacity nebo účinnosti chlazení. Viz hodnoty účinnosti (EER) a hodnoty kapacity (v Btu/h) vyznačené na klimatizačním zařízení.

- **Klimatizační zařízení se nachází v obývané místnosti nebo jsou v dané místnosti používána zařízení produkující teplo.**
Během vaření nebo koupání použijte odsávací ventilátory a během nejteplejší části dne se snažte nepoužívat zařízení produkující teplo. Přenosná klimatizační zařízení jsou navržena na doplňkové chlazení prostorů v místnosti. V závislosti na velikosti místnosti, která má být chlazená, může být nutné klimatizační zařízení s vyšší kapacitou.

Klimatizační zařízení pracuje jen krátce, ale místnost není vychlazená

- **Nastavená teplota je podobná teplotě v místnosti.**
Snižte nastavenou teplotu. Viz část „Použití přenosného klimatizačního zařízení“.

Zobrazení chybového kódu

- Pokud se na displeji zobrazuje chybový kód E5, znamená to, že zásobník vody v zařízení je plný a měli byste vodu vylít, podle části „Vypuštění klimatizačního zařízení“. Po vypuštění vody, můžete zařízení opět používat.
- Pokud se na displeji zobrazuje chybový kód E1/E2/E3//E6/E7/EA, obraťte se prosím na zákaznický servis.

Klimatizační zařízení funguje, ale nechladí

- **Filtr je znečištěný nebo zanesený.**
Vyčistěte filtr.
- **Výstup vzduchu je zablokovaný.**
Vyčistěte výstup vzduchu.
- **Nastavení teploty je příliš vysoké.**
Snižte nastavenou teplotu.

Klimatizační zařízení se příliš často zapíná a vypíná

- **Klimatizační zařízení není vhodné velikosti pro vaši místnost.**
Zkontrolujte schopnosti chlazení přenosného klimatizačního zařízení. Přenosná klimatizační zařízení jsou navržena na doplňkové chlazení prostorů v místnosti.
- **Filtr je znečištěný nebo zanesený.**
Vyčistěte filtr.
- **V místnosti se nacházejí otevřené nádoby s nadměrným teplem nebo vlhkostí (při vaření, sprchování atd.).**
Použijte ventilátory na odsávání tepla nebo vlhkosti z místnosti. V průběhu nejteplejší části dne se snažte nepoužívat zařízení produkující teplo.
- **Lamely jsou zablokované.**
Klimatizační zařízení nainstalujte na místo, kde nebudou lamely blokovány záclonami, roletami, nábytkem atd.

HASZNÁLATI ÉS ÜZEMBE HELYEZÉSI ÚTMUTATÓ

Köszönjük, hogy megvásárolta ezt a légkondicionálót. A készülék üzembe helyezése és használatának megkezdése előtt tanulmányozza át figyelmesen a használatra és üzembe helyezésre vonatkozó útmutatót, illetve őrizze meg, mert a későbbiekben is szüksége lehet rá.

TARTALOM

BIZTONSÁGI FIGYELMEZTETÉSEK	2
A KÉSZÜLÉK ISMERTETÉSE	10
BIZTONSÁG	11
AZ ÜZEMBE HELYEZÉS FELTÉTELEI	11
Szerszámok és alkatrészek	11
Az elhelyezés feltételei	11
Elektromos feltételek	12
ÜZEMBE HELYEZÉSI ÚTMUTATÓ	12
A légkondicionáló kicsomagolása	12
A légkondicionáló elhelyezése (ablakon keresztül)	13
Teljes üzembe helyezés	15
A légkondicionáló elhelyezése (falon keresztül)	16
A LÉGKONDITIONÁLÓ HASZNÁLATA	17
A légkondicionáló működtetése	18
A távirányító használata	19
Normál hangok	23
A LÉGKONDITIONÁLÓ ÁPOLÁSA	24
A légkondicionáló víztelenítése	24
A légkondicionáló víztelenítése (fűtő modellek)	24
A külső felületek tisztítása	24
A levegőszűrő tisztítása	24
Tárolás használat után	24
HIBAELHÁRÍTÁS	25

BIZTONSÁGI UTASÍTÁSOK

A készüléket akkor használhatják 8 éves vagy annál idősebb gyerekek, illetve csökkent fizikális, érzékszervi vagy mentális képességekkel rendelkezők, valamint olyan személyek, akik nem rendelkeznek megfelelő tudással és tapasztalattal, ha felügyeletük biztosított, vagy megfelelő útmutatást kaptak a készülék biztonságos használatáról és megértették az ezzel járó veszélyeket. A gyerekek nem játszhatnak a készülékkel. A készülék tisztítását és karbantartását nem végezhetik gyerekek felügyelet nélkül.

A gyerekeket felügyelni szükséges, hogy ne játszhassanak a készülékkel. Ha a csatlakozó kábel megsérült, azt a veszélyek elkerülése érdekében a gyártó, annak márkaszervize vagy más, megfelelően képzett személy cserélheti ki. A készüléket a kábelezésre vonatkozó helyi előírásoknak megfelelően kell üzembe helyezni. A külső statikus nyomástartomány $-0,2\text{Pa}$ és $0,2\text{Pa}$ között van. A készüléket a gyúlékony felületektől legalább 5 méter távolságra kell elhelyezni. Ne működtesse a légkondicionálót nedves helyiségben, például fürdőszobában vagy mosókonyhában.

KÖRNYEZETVÉDELEM

A készülék újrahasznosítható anyagokból készült. Leselejtezését a helyi hulladékkezelési előírásoknak megfelelően kell elvégezni. A leselejtezés előtt vágja el a csatlakozó kábelt, hogy a készüléket ne lehessen újra használni. A termék kezelésére és újrahasznosítására vonatkozó részletes információkért forduljon a helyi szelektív hulladékgyűjtésért felelős szolgáltatóhoz vagy az üzlethez, ahol a készüléket megvásárolta.

A KÉSZÜLÉK LESELEJTEZÉSE

A készülék a 2012/19/EC számú, hulladék elektromos és elektronikus készülékekről (WEEE) szóló európai uniós direktívának megfelelően van jelölve.

Ez a jelölés azt jelenti, hogy a terméket nem szabad hagyományos háztartási hulladékként kezelni az Európai Unió területén.

A felelőtlen hulladékkezelés okozta lehetséges környezeti károk és emberi egészség vonatkozásában felmerülő veszélyek elkerülése érdekében igyekezzen felelős módon eljárni a termékkel kapcsolatban, ezzel hozzájárulhat az anyagi erőforrások fenntartható újrahasznosításához. A használt termék leadásának céljából forduljon a kijelölt gyűjtőhelyekhez vagy a kereskedőhöz, akitől a terméket megvásárolta. Ők gondoskodnak a termék környezetbarát módon történő újrahasznosításáról.



Biztonsági figyelmeztetések

Figyelmeztetések az R290 hűtőközeg vonatkozásában

Ugyanakkor ügyeljen a következőkre is:

Az üzembe helyezésre vonatkozó alapvető munkafolyamatok megegyeznek a hagyományos (R22 vagy R410A) hűtőközeggel.



FIGYELEM

Figyelmeztetések az R290 hűtőközeg vonatkozásában

Ugyanakkor ügyeljen a következőkre is:

Az üzembe helyezésre vonatkozó alapvető munkafolyamatok megegyeznek a hagyományos (R22 vagy R410A) hűtőközeggel).

1. Gyűlékony hűtőközeget tartalmazó készülékek szállítása

A szállításra vonatkozó előírásoknak megfelelően

2. A készülék jelölése

A helyi szabályozásnak megfelelően

3. A gyűlékony hűtőközeget tartalmazó termékek leselejtezése

A nemzeti rendelkezéseknek megfelelően

4. A berendezés / készülékek tárolása

A készüléket a gyártó útmutatásának megfelelően kell tárolni.

5. A becsomagolt (nem értékesített) készülékek tárolása

- A csomagokat úgy kell tárolni, hogy a csomagban lévő termék mechanikai sérülése esetén ne szivároghasson ki a hűtőközeg.
- Az együtt tárolható termékek maximális számát a helyi előírások határozzák meg.

6. A szervizelésre vonatkozó információk

6-1 A terület ellenőrzése

A gyűlékony hűtőközeget tartalmazó rendszereken végzendő munka megkezdése előtt biztonsági ellenőrzésekre van szükség, a gyulladásveszély minimalizálása érdekében. A hűtőrendszeren végzendő munka megkezdése előtt a következőkben leírt óvintézkedések megtétele szükséges.

6-2 Munkafolyamat

A munkát kontrollált folyamat keretében kell elvégezni, a munkavégzés közben esetlegesen jelentkező gyűlékony gáz vagy gőz veszélyének minimalizálása érdekében.

6-3 Általános munkaterület

- A karbantartásban résztvevőket és a területen dolgozó többi személyt tájékoztatni szükséges az elvégzendő munka természetéről. A szűk helyen történő munkavégzést lehetőség szerint el kell kerülni.
- A munkaterület körül lévő területet fel kell osztani. Győződjön meg róla, hogy a területen a feltételek biztonságosak, ellenőrizze, hogy nincsenek-e gyűlékony anyagok a közelben.

6-4 Hűtőközeg jelenlétének ellenőrzése

- A munka megkezdése előtt és közben a területet megfelelő hűtőközeg-detektorral ellenőrizni kell, annak biztosítása érdekében, hogy a szerelő tudjon a potenciálisan gyűlékony légkörrel.
- Ellenőrizze, hogy a szivárgás-észlelő berendezés alkalmas-e gyűlékony hűtőközeghez való használatra (azaz nem szikrázik, megfelelően szigetelve van és valóban biztonságos).

Biztonsági figyelmeztetések



6-5 Tűzoltókészülék jelenléte

- Ha magas hőmérséklettel járó munkát kell elvégezni a hűtőkészüléken vagy valamilyen kapcsolódó helyen, megfelelő tűzoltófelszerelés kell, hogy kéznél legyen.
- Legyen a munkaterület közelében egy poroltó, vagy CO₂ tűzoltókészülék.

6-6 Ne legyen gyújtóforrás

- A hűtőrendszeren gyúlékony hűtőközeget tartalmazó vagy tartalmazott csővel végzett munkafolyamatot is magában foglaló munkát végző személy csak úgy használhat bármilyen tűzforrást, ha az nem jár tűz vagy robbanás kockázatával.
- Valamennyi lehetséges tűzforrást – beleértve a cigarettát is – megfelelő távolságban kell tartani az üzembe elhelyezés, javítás, leszerelés vagy selejtezés helyétől, mert e munkák közben gyúlékony hűtőközeg juthat a környezetbe.
- A munkák megkezdése előtt a készülék körül lévő területet át kell vizsgálni, hogy ne álljon fenn a tűzveszély kockázata. "Dohányozni tilos" feliratokat is el kell helyezni.

6-7 Jól szellőző hely

- Ügyeljen rá, hogy a terület nyitva legyen, vagy jól ki legyen szellőztetve a rendszerbe való belépés vagy bármilyen magas hőmérséklettel járó munka megkezdése előtt.
- A megfelelő szellőzést a munkavégzés teljes időtartama alatt biztosítani szükséges.
- A szellőzés biztonságosan el kell hogy oszlassa a felszabaduló hűtőközeget és ki kell hogy terelje a szabad levegőre.

6-8 A hűtőberendezésen elvégzendő ellenőrzések

- Ha elektromos alkatrészek cseréjére kerül sor, azok pontosan meg kell hogy feleljenek a célnak és a specifikációnak.
- A gyártó karbantartásra és szervizelésre vonatkozó utasításait mindig be kell tartani. Kétség esetén vegye fel a kapcsolatot a gyártó műszaki osztályával és kérje segítségüket.
- A gyúlékony hűtőközeget tartalmazó berendezéseken a következő ellenőrzéseket kell elvégezni:
 - A töltés mennyisége megfelel a helyiség méretének, amelyben a hűtőközeget tartalmazó készülékek elhelyezésre kerültek;
 - A ventilátor és a szellőzőnyílások megfelelően működnek és nincsenek akadályoztatva;
 - Ha közvetett hűtőkör van használatban, a másodlagos kört ellenőrizni kell a hűtőközeg jelenléte vonatkozásában;
 - A készüléken lévő jelölések láthatók és olvashatók. A nem olvasható jelöléseket és jeleket ki kell javítani;
 - A hűtő cső vagy más részek olyan helyzetben vannak felszerelve, ahol nincsenek kitéve olyan anyagnak, amitől a hűtőközeget tartalmazó alkatrészekben rozsdaképződés indulhat meg – kivéve, ha ezek az alkatrészek olyan anyagból készültek, amelyek eredendően ellenállnak a rozsdának vagy megfelelően védve vannak rozsdásodás ellen.

Biztonsági figyelmeztetések



6-9 Az elektromos berendezéseken elvégzendő ellenőrzések

- Az elektromos alkatrészek javítása és karbantartása magában kell hogy foglalja az előzetes biztonsági ellenőrzést és az alkatrészek vizsgálatának folyamatát.
- Ha olyan hiba áll fenn, ami veszélyeztetné a biztonságot, akkor a készüléket mindaddig nem szabad csatlakoztatni az áramkörre, amíg a hibát kielégítően nem kezelték.
- Ha a hiba nem javítható ki azonnal, de szükséges a működés folytatásához, egy megfelelő ideiglenes megoldást lehet alkalmazni.
- Ezt jelezni szükséges a berendezés tulajdonosának, hogy tudjon róla.
- Az előzetes biztonsági ellenőrzésnek a következőket kell magában foglalnia:
 - A tartályok üresek: ezt biztonságos módon kell elvégezni, a szikraképződés lehetőségének elkerülésével;
 - A rendszer töltése, javítása vagy tisztítása közben nincs feszültség alatti elektromos alkatrész vagy vezeték;
 - A földelés folyamatosan biztosított.

7. A lezárt részek javítása

- A lezárt részek javítása közben a készülék elektromos ellátását le kell kapcsolni, mielőtt bármilyen lezárt fedél, stb. eltávolításra kerülne.
- Ha a készülék javításához szerelés közben elektromos áramra van szükség, akkor egy állandóan működő, szivárgás-észlelő készüléket kell elhelyezni a legkritikusabb helyen, hogy figyelmeztessen a potenciálisan veszélyes helyzetre.
- Annak biztosítása érdekében, hogy az elektromos alkatrészekon végzett munka során a burkolat ne változzon meg olyan módon, hogy az befolyásolni tudja a védelem mértékét, a következőkre kell figyelni.
- Ennek magában kell foglalnia a vezetékek sérülését, a túlzott számú csatlakozást, a terminálok nem az eredeti specifikációnak megfelelő elhelyezését, a tömítések károsodását, a tömszelencék nem megfelelő elhelyezését, stb.
- Ügyeljen rá, hogy a készülék biztonságosan legyen felszerelve.
- Ellenőrizze, hogy a tömítések vagy ragasztó anyagok nincsenek-e olyan mértékben károsodva, hogy már nem tudják megakadályozni, hogy a gyúlékony gázok behatolását.
- A pótoltt alkatrészek meg kell hogy feleljenek a gyártó specifikációjának.

MEGJEGYZÉS:

A szilikon tömítés használata akadályozhatja egyes szivárgás-érzékelő készülékek hatékonyságát.

A valójában biztonságos részeket nem kell szigetelni a rajtuk végzendő munka megkezdése előtt.

8. A valójában biztonságos részek javítása

- Ne használjon semmilyen induktív vagy kapacitív terhelést az áramkörön anélkül, hogy meggyőződne róla, hogy ez nem haladja meg a megengedett feszültséget és a készülék vonatkozásában megengedett áramot.
- Csak a valójában biztonságos alkatrészek azok, amelyeken munkát lehet végezni akkor is, ha gyúlékony gázok vannak jelen. A teszt berendezés megfelelő terhelhetőségű kell hogy legyen.
- Kizárólag a gyártó specifikációjának megfelelő alkatrészeket használjon.
- Más alkatrészek használata esetén a szivárgó hűtőközeg kigyulladhat.

Biztonsági figyelmeztetések



FIGYELEM

9. Kábelezés

- Ellenőrizze, hogy a vezetékek nem lesznek-e kitéve kopásnak, korrózióknak, túlzott nyomásnak, rezgésnek, éles széleknek vagy bármilyen más kedvezőtlen környezeti hatásnak.
- Az ellenőrzés során figyelembe kell venni a kompresszorok vagy ventilátorok elöregedésének vagy folyamatos vibrálásának hatásait is.

10. Gyúlékony hűtőközeg észlelése

- A hűtőközeg esetleges szivárgásának vizsgálata során semmilyen körülmények között nem szabad potenciális gyújtóforrásokat használni.
- Nem szabad halogenid fáklyát (vagy más, nyílt lánggal működő detektort) használni.

11. A szivárgás észlelésének módszerei

- A gyúlékony hűtőközeget tartalmazó rendszerek esetében a következő módszerek tekinthetők alkalmasnak a szivárgás megállapítására:
 - A gyúlékony hűtőközeg észlelésére elektronikus szivárgás-érzékelőt kell használni, de annak érzékenysége lehet, hogy nem lesz megfelelő, vagy újra be kell állítani. (Az érzékelő berendezést hűtőközegtől mentes környezetben kell bekalibrálni.)
 - Győződjön meg róla, hogy az érzékelő nem egy potenciális gyújtóforrás és hogy megfelelő a használt hűtőközeghez.
 - A szivárgás-érzékelő berendezést a hűtőközeg LFL százalékára kell beállítani, a használt hűtőközeghez kell kalibrálni és a megfelelő mennyiségű (maximum 25%) gázt kell használni.
 - A szivárgás-érzékelő folyadékok megfelelőek a legtöbb hűtőközeggel történő használatra, de a klórt tartalmazó detergensnek használatát kerülni kell, mivel a klór reakcióra léphet a hűtőközeggel és korróziót idézhet elő a rézcsőben.
 - Szivárgás gyanúja esetén valamennyi nyílt lángot el kell távolítani / el kell oltani.
 - Ha olyan hűtőközeg-szivárgás került felderítésre, amely forrasztást igényel, az összes hűtőközeget el kell távolítani a rendszerből, vagy el kell szigetelni (elzárószelepek segítségével) a rendszernek a szivárgástól távolabbi részébe.
 - A forrasztás előtt és közben oxigén-mentes nitrogént (OFN) kell a rendszeren keresztülfújni.

12. Eltávolítás és kiürítés

- Ha javítás – vagy bármi más – célból behatolás történik a hűtőkörbe, hagyományos módszereket kell követni.
- Fontos ugyanakkor a legjobb gyakorlat követése, mivel fennáll a gyulladásveszély.
- A következő folyamatot kell követni:
 - Távolítsa el a hűtőközeget;
 - Tisztítsa ki a hűtőkört inert gázzal;
 - Ürítse ki;
 - Tisztítsa meg ismét inert gázzal;
 - Nyissa ki a hűtőkört vágással vagy forrasztással.

Biztonsági figyelmeztetések



- A hűtőközeget a megfelelő tartályokba kell tölteni.
- A rendszert át kell öblíteni OFN-nel, hogy biztonságos legyen.
- Ezt a folyamatot lehet, hogy többször meg kell ismételni.
- Erre a célra nem szabad sűrített levegőt vagy oxigént használni.
- Az átöblítést a rendszerben lévő vákuum OFN-nel történő megtörésével kell elérni és addig kell folytatni, amíg az üzemi nyomás elérésre nem kerül. Ezután ki kell vezetni a légkörbe és le kell húzni a vákuumig.
- Ezt a folyamatot addig kell ismételni, amíg nem marad hűtőközeg a rendszerben. Az utolsó OFN-es töltésnél a rendszert a légköri nyomásig kell kiszellőztetni, így lehetővé téve a következő munkálatokat.
- Ez a művelet különösen fontos abban az esetben, ha forrasztási munkálatokat kell elvégezni a csöveken.
- Ügyeljen rá, hogy a vákuumszivattyú kimenete ne legyen közel gyújtóforrásokhoz és hogy biztosított legyen a szellőzés.

13. Töltési folyamatok

- A hagyományos töltési folyamatokon túl a következő követelményeknek kell megfelelni.
 - A töltőfelszerelés használata során ügyeljen rá, hogy ne következzen be a különféle hűtőközegek szennyeződése.
 - A csöveknek vagy vezetéknek a lehető legrövidebbeknek kell lenniük, így minimalizálható a bennük lévő hűtőközeg mennyisége.
 - A tartályok álló helyzetben kell hogy legyenek.
 - Mielőtt a rendszer hűtőközeggel történő feltöltését megkezdendé, ellenőrizze, hogy a hűtőrendszer földelve van-e.
 - A töltés végeztével jelölje meg a rendszert (ha ez még nem történt meg).
 - Különösen ügyelni kell arra, hogy a hűtőrendszer ne legyen túltöltve.
- A rendszer újratöltése előtt nyomáspróbált kell végezni OFN-nel.
- A töltést követően, de még az üzembe helyezés előtt a rendszert tesztelni kell szivárgás szempontjából.
- A helyszín elhagyása előtt egy további szivárgástesztet is el kell végezni.

14. Üzemen kívül helyezés

- A folyamat megkezdése előtt elengedhetetlen, hogy a szerelő teljes mértékben ismerje a berendezést és annak minden részét.
- Itt javasolt jó gyakorlat az összes hűtőközeg biztonságos eltávolítása.
- A feladat elvégzése előtt olaj- és hűtőközeg-mintát kell benni abban az esetben, ha elemzés szükséges a kinyert hűtőközeg újbóli felhasználásához. A munka megkezdése előtt fontos, hogy rendelkezésre álljon elektromos áram.
 - a) Ismerje meg a berendezést és annak működését.
 - b) Szigetelje el a rendszert elektromosan.

Biztonsági figyelmeztetések



FIGYELEM

- c) A folyamat megkezdése előtt győződjön meg az alábbiakról:
- Ha szükséges, rendelkezésre állnak mechanikus felszerelések a hűtőközeg tartályain végzett munkához;
 - Rendelkezésre áll valamennyi személyes védőfelszerelés és azok megfelelő használata biztosított;
 - A munka elvégzését felügyelnie kell egy kompetens személynek;
 - Az eltávolításhoz használt felszerelések és a tartályok megfelelnek a vonatkozó szabványoknak.
- d) Szivattyúzza le a hűtőrendszert, ha lehetséges.
- e) Ha vákuummal ez nem lehetséges, egy tömlő segítségével végezze el a folyamatot úgy, hogy a hűtőközeg a rendszer minden részéből eltávolítható legyen.
- f) Ügyeljen rá, hogy a tartály a mérlegen legyen, mielőtt a hűtőközeg leeresztésére kerül sor.
- g) Indítsa be a leszívó készüléket és működtesse a gyártó utasításainak megfelelően.
- h) Ne töltse túl a tartályokat. (80 %-nál nem több folyadéktöltés).
- l) Ne lépje túl a tartály maximális ipari nyomását, ideiglenesen sem.
- j) Ha a tartályok megfelelően feltöltésre kerültek és a folyamat befejeződött, ügyeljen rá, hogy a tartályok és felszerelések azonnal eltávolításra kerüljenek a helyszínről és hogy a készüléken lévő izolációs szelepek le legyenek zárva.
- k) A kinyert hűtőközeget nem szabad másik hűtőrendszerbe tölteni, kivéve, ha tisztításra és ellenőrzésre került.

15. Jelölés

- A készüléken jelölni szükséges, hogy üzemben kívül helyezésre került és hogy kiürítésre került belőle a hűtőközeg.
- A jelölést dátummal és aláírással kell ellátni.
- Ügyeljen rá, hogy a készüléken jelölve legyen, hogy gyúlékony hűtőközeget tartalmaz.

16. A hűtőközeg lefejtése

- A hűtőközeg rendszerből való eltávolítása során – akár szervizelés, akár üzemben kívül helyezés miatt – javasolt jó gyakorlat, hogy az összes hűtőközeg biztonságos módon kerüljön eltávolításra.
- A hűtőközeg tartályokba töltése során ügyeljen rá, hogy csak megfelelő hűtőközeg-lefejtő tartályok használatára kerüljön sor.
- Biztosítson megfelelő számú tartályt a rendszer teljes töltésének befogadására.
- A felhasznált tartályok leeresztett hűtőközeg tárolására kell hogy szolgáljanak és az adott hűtőközeghez alkalmas jelöléssel kell hogy rendelkezzenek (azaz speciális, hűtőközeg befogadására alkalmas tartályok).
- A tartályok túlnyomássszeleppel és elzárószeleppel kell hogy rendelkezzenek és jó állapotban kell hogy legyenek.
- A hűtőközeg lefejtése előtt a tartályoknak üres, kiszivattyúzott – és amennyiben lehetséges – hűtött állapotban kell lenniük.
- A lefejtéshez használt berendezés jó állapotban kell hogy legyen és kéznél kell hogy legyen a használati útmutatója, valamint alkalmas kell hogy legyen gyúlékony hűtőközeg eltávolítására.

Biztonsági figyelmeztetések



- Ezen felül egy szett kalibrált, jó állapotban lévő mérlegre is szükség lesz..
- A csöveknek rendelkezniük kell szivárgásmentes kikapcsoló csatlakozókkal és jó állapotban kell lenniük.
- A gép használata előtt ellenőrizze, hogy megfelelő állapotban van-e, megfelelően volt-e karbantartva és hogy az elektromos részek megfelelően vannak-e szigetelve, a hűtőközeg leeresztése miatti tűzveszély elkerülése érdekében.
- Ha kétségei merülnének fel, kérje a gyártó segítségét.
- A kinyert hűtőközeget vissza kell vinni a szállítónak, a megfelelő tartályban és a kapcsolódó hulladék-átadási jegyzék kíséretében.
- Ne keverje össze a hűtőközegeket az edényekben, különösen ne a tartályokban.
- Ha a kompresszor vagy a kompresszor olaj is eltávolításra kerül, ügyeljen rá, hogy ezek az elfogadható szintig kiürítésre kerüljenek annak biztosítása érdekében, hogy ne maradjon gyúlékony hűtőközeg a kenőanyagban.
- Mielőtt a kompresszort visszavinné a szállítókhoz, el kell végezni a lefejtési folyamatot.
- A folyamat gyorsítására csak elektromos melegítés használható a kompresszor testnél.
- Ha olaj kerül leeresztésre a rendszerből, a folyamatot biztonságos módon kell elvégezni.



- A légkondicionáló mozgását vagy áthelyezését megelőzően vegye fel a kapcsolatot egy tapasztalt szerelővel a készülék leválasztása és újbóli üzembe helyezése céljából.
- A kültéri vagy a beltéri egység alá ne helyezzen semmilyen egyéb elektromos terméket vagy háztartási felszerelést. A készülékből csöpögő kondenzvíztől nedvesek lehetnek, ami kárt vagy meghibásodást okozhat bennük.
- Leolvasztás vagy tisztítás céljából ne használjon a gyártó által javasoltakon kívül semmilyen más eszközt.
- A készüléket olyan helyiségben kell elhelyezni, ahol nincsenek folyamatosan működő gyújtóforrások (például nyílt láng, gázkészülék vagy működő elektromos fűtőtest).
- Ne lyukassza ki és ne égesse el.
- Legyen tudatában annak, hogy a hűtőközegnek nem lehet szaga.
- A szellőzőnyílásokat tartsa akadálymentesen.
- A készüléket olyan jól szellőző helyiségben kell elhelyezni, ahol a helyiség mérete megfelel a készülék működésére meghatározott méretnek.
- A készüléket olyan helyiségben kell elhelyezni, ahol nincs jelen folyamatosan működő nyílt láng (például egy működő gázkészülék) és gyújtóforrás (például működő elektromos fűtőtest).
- A készüléket úgy kell tárolni, hogy ne érhesse mechanikai sérülés.





Biztonsági figyelmeztetések



FIGYELEM

- A hűtőkörön munkát végző vagy oda belépő személynek rendelkeznie kell érvényes egy, az iparág részéről akkreditált hatóság által kiállított tanúsítvánnyal, ami felhatalmazza arra, hűtőközegeket biztonságos módon, az iparág által elismert értékelési specifikációnak megfelelően kezeljen.
- A készülék szervizelését kizárólag a termék gyártója ajánlásainak megfelelően lehet végezni.
- A más szakképzett személy jelenlétét igénylő karbantartási és javítási munkákat egy, a gyúlékony hűtőközegek terén kompetens személy felügyelete alatt lehet elvégezni.
- A leolvasztás vagy tisztítás gyorsítása céljából ne használjon a gyártó által javasoltakon kívül semmilyen más eszközt.
- A készüléket az alábbiakban megjelölteknél nagyobb padlóméretű helyiségben kell üzembe helyezni, működtetni és tárolni:
 +AP-09C*4GN*S0*(8.2m²), +AP-09H*4GN*S0*(8.2m²)
 +AP-12C*4GQ*S0*(14.5m²), +AP-12H*4GQ*S0*(14.5m²)
- A csőrendszer meg kell hogy feleljen a gázokra vonatkozó helyi szabályozásnak.
- A hűtőközeget tartalmazó csövek távolsága meg kell hogy feleljen a nemzeti gáz-előírásoknak.
- A hűtőközeg maximális töltési mennyisége 0.936 kg.
- A beltéren használt mechanikus csatlakozók meg kell hogy feleljenek az ISO 14903 szabványnak. Ha a mechanikus csatlakozók ismét használatra kerülnek beltéren, a tömítéseiket fel kell újítani. Ha a kiszélesedő csatlakozók ismét használatra kerülnek beltéren, a kiszélesedő részt újra el kell készíteni.
- A csőrendszer a lehető legminimálisabb méretű kell hogy legyen.
- A mechanikus csatlakozók karbantartási célból hozzáférhetőek kell hogy legyenek.

A beltéri és a kültéri egységen lévő jelölések magyarázata.

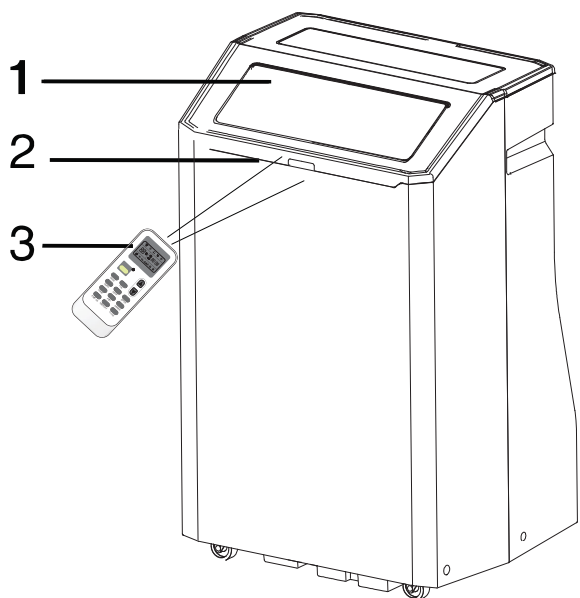
 Caution, risk of fire	FIGYELMEZ-TETÉS	Ez a jelölés azt jelenti, hogy a készülékben gyúlékony hűtőközeg van. Ha a hűtőközeg szivárog vagy külső gyújtóforrásnak van kitéve, fennáll a tűzveszély.
	FIGYELEM	Ez a jelölés azt jelenti, hogy figyelmesen el kell olvasni a használati útmutatót.
	FIGYELEM	Ez a jelölés azt jelenti, hogy a szerelők a használati útmutatóban leírt módon kell hogy eljárjanak a készülékkel történő munkavégzés során.
	FIGYELEM	Ez a jelölés azt jelenti, hogy a működésre vagy az üzembe helyezésre vonatkozó útmutatóban ilyen jellegű információ található.

A készülék biztosítékának paraméterei:

+AP-09C*4GN*S0*(T3.15A, 250V), +AP-09H*4GN*S0*(T3.15A, 250V)
 +AP-12C*4GQ*S0*(T3.15A, 250V), +AP-12H*4GQ*S0*(T3.15A, 250V)

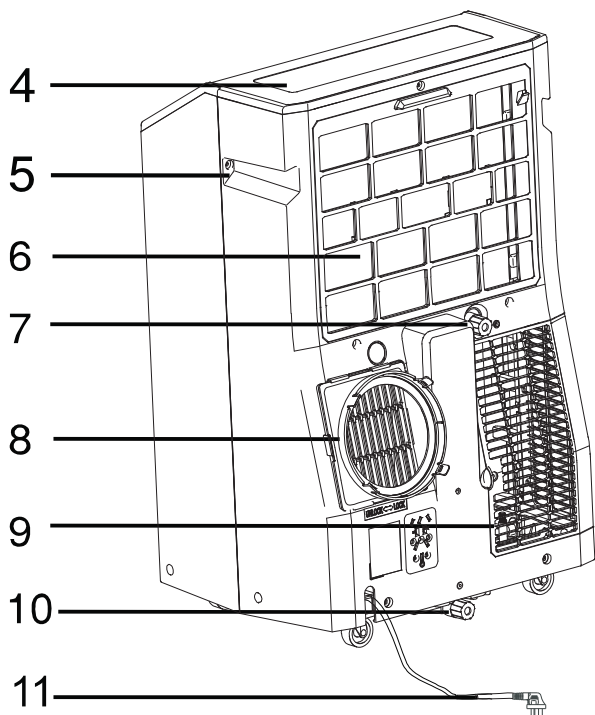
A készülék ismertetése

Elöl

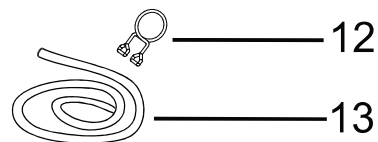


- 1 Hideg levegő kimenet
- 2 Jelveő
- 3 Távirányító
- 4 Vezérlő panel
- 5 Fogantyú mozgatáshoz
- 6 Párolgató levegő bemenet
- 7 Másodlagos vízvezető nyílás
- 8 Levegő kimeneti nyílás
- 9 Kondenzátor levegő bemenet

Hátul



- 10 Elsődleges vízvezető nyílás
- 11 Elektromos betáp kábel
(Különbözhet e képen látható verziótól)
- 12 Vízvezető cső kapocs
(hőszivattyús modelleknél)
- 13 Vízvezető cső
(hőszivattyús modelleknél)



Az útmutatóban szereplő ábrák egy standard modell külső képén alapulnak.
Az Ön által választott készülék formája ettől eltérhet.

Biztonság

Az Ön és a többi személy védelme rendkívül fontos.

Az útmutatóban és a készüléken számos fontos biztonsági üzenet található. Mindig olvassa el a biztonsági figyelmeztetéseket és tartsa be azokat.



Ez a biztonsági figyelmeztetés jele.

Ez a jelölés azokra a potenciális veszélyekre figyelmeztet, amelyek következtében halál vagy sérülés következhet be.

A biztonsági figyelmeztetések a biztonsági figyelmeztetés jel vagy a »VESZÉLY«, illetve a »FIGYELMEZTETÉS« szavak után jelennek meg. Ezek a szavak a következőket jelentik:

! VESZÉLY

Az utasítások **azonnali** be nem tartása halál vagy súlyos sérülés veszélyével járhat.

! FIGYELMEZTETÉS

Az utasítások **be nem tartása** halál vagy súlyos sérülés veszélyével járhat.

A biztonsági üzenetek jelzik, mi a potenciális veszély és azt is tartalmazzák, hogyan csökkenthető a sérülés veszélye, illetve hogy mi történhet az utasítások be nem tartása esetén.

TELEPÍTÉSI KÖVETELMÉNYEK

Szerszámok, és alkatrészek: A telepítés megkezdése előtt gyűjtse össze a szükséges szerszámokat és alkatrészeket. Olvassa el és kövesse az itt felsorolt utasításokat.

Szükséges eszközök: Keresztfejű csavarhúzó; olló; Ceruza; Akkumulátoros csavarhúzó 1/8 bites

Mellékelt alkatrészek: A következő alkatrészeket, a hordozható légkondicionálóval együtt szállítjuk.

Alkatrész	Leírás	Mennyiség
	A. Tömítő habszivacs	1 pc
	B. Csatlakozó	1 pc
	C. Flexibilis levegő kivezető cső	1 pc
	D. Ablak kifúvó adapter	1 pc
	E. Szegecs	4 pc
	F. Csavar	4 pc
	G. Ablakzár konzol	2 pc
	H. Külső csúszóelem, kifúvó réssel	1 pc
	I. Belső csúszóelem rövid	1 pc
	J. Belő csúszó elem	1 pc
	K. Külső csúszó elem	1 pc
	L. hosszú habszivacs tömítés	2 pc
	M. rövid habszivacs tömítés	2 pc
	N. Cseppvíz elvezető cső (csak hőszivattyús modellek)	1 pc
	O. Cseppvíz elvezető cső Bilincs (csak hőszivattyús modellek)	1 pc
	P. Távirányító	1 pc
	Q. Szabványos AAA (1,5 voltos) elemek	2 pc

Megjegyzés

Higanymentes nagy teljesítményű R03 UM-4 méretű AAA1,5V. Javasolt a lejáratási dátum előtt felhasználni, (hónap év) az elem alján feltüntetve.

Ne keverje a régi és az új elemeket.

Ne keverje össze a lúgos, normál (szén-cink), vagy újratölthető (nikkel- kadmium) elemeket.

Fulladásveszély

Az elem fulladást okozhat, ha a gyermekek lenyelik
A nem újratölthető elemeket nem szabad újratölteni
A lemerült elemeket minél előbb távolítsa el a készülékből.

Az elhelyezés feltételei

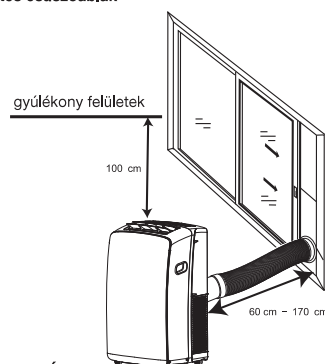
MEGJEGYZÉSEK:

- A flexibilis elvezető cső lehetővé teszi, hogy a légkondicionáló 60-170 cm-re legyen az ablaktól vagy ajtótól. A kiegészítő fűtőszállal rendelkező készülékeknek a gyűlékony felületektől való minimális távolság 100 cm kell hogy legyen.
- A hordozható légkondicionálók egy helyiségen belül bizonyos területek kiegészítő hűtésére szolgálnak.

Függőleges csúszóablak



Vízszintes csúszóablak



MEGJEGYZÉSEK:

- A megfelelő szellőzés biztosítása érdekében a visszaforgatott levegő kimenete legalább 60 cm-re kell hogy legyen a faltól vagy más akadályoktól.
- A levegő kimeneti nyílás ne legyen elzárva.
- A 3 érintkezős földelt aljzat könnyen hozzáférhető kell hogy legyen.

Elektromos feltételek

⚠ FIGYELMEZTETÉS

Áramütés veszélye

A készüléket földelt, három érintkezős hálózati aljzatba csatlakoztassa.
Ne távolítsa el a földelő érintkezőt.
Ne használjon adaptert.
Ne használjon hosszabbítót.
Az utasítások be nem tartása halált, tüzet vagy áramütést idézhet elő.

- A hordozható légkondicionálót egy 220-240V, 50 HZ, 20 amperes, földelt, 3 érintkezős aljzatba kell csatlakoztatni.
- Javasolt idő-késleltető biztosíték vagy idő-késleltető megszakító használata.
- A kábelezés meg kell hogy feleljen a helyi és a nemzeti előírásoknak, valamint csak szakképzett szerelő végezheti el. Ha kérdése van, vegye fel a kapcsolatot egy szakképzett szerelővel.

Az üzembe helyezésre vonatkozó utasítások

Csomagolja ki a légkondicionálót

⚠ FIGYELMEZTETÉS

Nagy tömeg veszélye

A légkondicionáló mozgatásához vagy üzembe helyezéséhez legalább két személy szükséges.
Ellenkező esetben hát- vagy más sérülés következhet be.

- A ragasztószalag vagy a ragasztó eltávolítására ne használjon éles tárgyakat, dörzsalkoholt, gyűlékony folyadékokat vagy súrolószereket. Ezek a termékek kárt tehetnek a légkondicionáló felületeiben.
- Bánjon óvatosan a légkondicionálóval

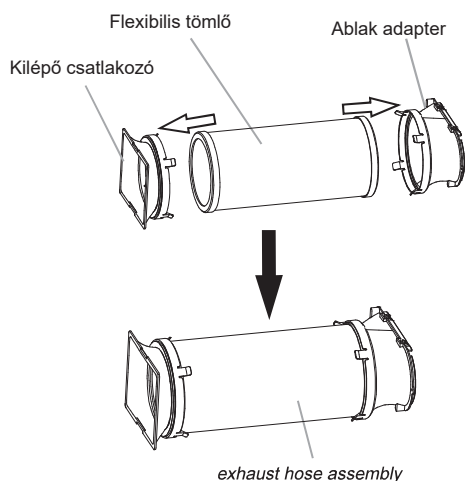
Távolítsa el a csomagolóanyagokat

- Távolítsa el és selejtezze le / hasznosítsa újra a csomagolóanyagokat.
- A légkondicionáló bekapcsolása előtt távolítsa el a ragasztócsíkokat és -maradványokat a felületekről. Ujjaival dörzsölje a ragasztós felületeket egy kis folyékony mosogatószerezrel. Törölje át meleg vízzel és szárítsa meg.

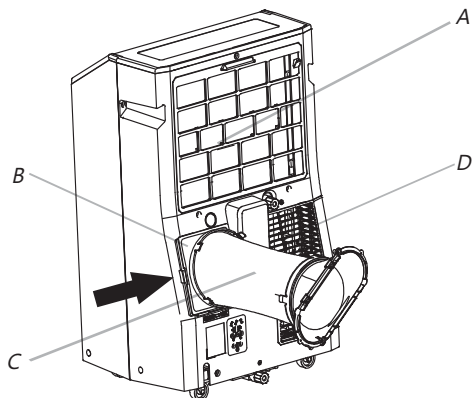
Az elhelyezésre vonatkozó követelmények (az ablaknál)

Az elvezető cső és az adapter felhelyezése

1. Helyezze a légkondicionálót a neki kiválasztott helyre, a készülék helyigényét figyelme véve.
2. Készítse elő a levegő kivezetéshez szükséges egységeket; Illessze össze a kilépő levegő adaptert és az ablak adaptert a flexibilis tömlővel. Mindkét adapter rendelkezik rögzítő kapcsokkal



3. Helyezze a kilépő csatlakozót a gép hátulján ennek fogadására kiépített sínbe.
4. Csúsztassa le ütközésig a stabil rögzítéshez.

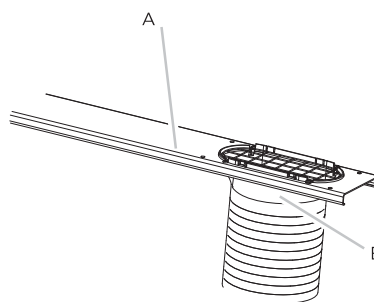


- A. Elpárologtató levegő beszívás
- B. Kilépő csatlakozó
- C. Flexibilis kivezető tömlő
- D. Kondenzátor levegő beszívás

Beépítés ablakba

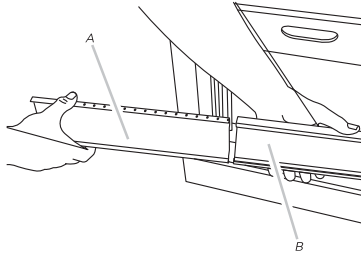
Az ablak csúszka készlet a legtöbb függőleges és vízszintes ablak-kialakításhoz használható. Gurítsa a légkondicionálót a kiválasztott helyre. Lásd „Az elhelyezés feltételei” részt.

1. Illessze az ablak kivezető adaptert az ablak csúszka készleten található nyílásba.



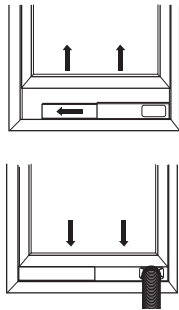
- A Ablak csúszka készlet
- B Ablak kimeneti adapter

2. Nyissa ki az ablakot.
3. Mérje meg az ablaknyílást.
- Ha az ablaknyílás túl szűk az ablak csúszka készlethez, távolítsa el belőle a belső csúszka részt.

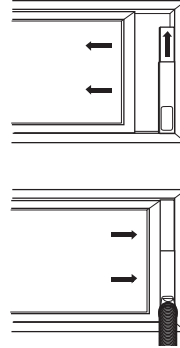


A Belső csúszka rész
B Külső csúszka rész

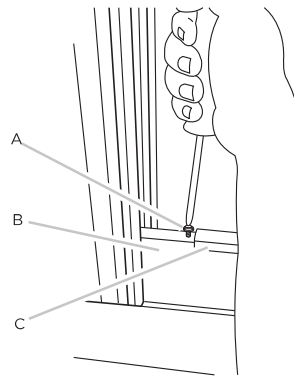
- Fűrész segítségével vágja akkorára a belső csúszka részt, hogy illeszkedjék az ablaknyílásba.
 - Csúsztassa a belső csúszka részt az ablak csúszka készlet külső részébe.
4. Helyezze az ablak csúszka készletet az ablakba, annyira kihúzza, hogy megfeleljen az ablak szélességének. Ügyeljen rá, hogy az esővédő az ablak külső oldalára kerüljön.



MEGJEGYZÉS: Szárnyas ablak esetén az ablak csúszka készlet függőlegesen szerelhető fel, a nyílása ilyenkor alulra kerül.

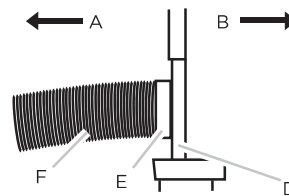


5. Illesszen 1/2"-os csavart (2 db mellékelve) a csúszka belső oldalán abba a lyukba, ami közelebb van a csúszka külső részéhez.



A 1/2"-es csavar (2 db szükséges)
B Belső csúszka rész
C Külső csúszka rész

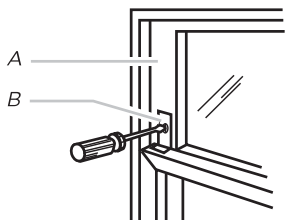
6. Zárja az ablakot a csúszka készletre a rögzítéshez.



A A hordozható légkondicionáló felé
B Kifelé
D Ablak csúszka készlet
E Ablak kimeneti adapter
F Flexibilis kivezető cső

Teljes üzembe helyezés

1. Helyezze az ablakzáró kapcsot az alsó ablak tetejére, a felső tolóablakhoz.
2. Egy $\frac{1}{8}$ " fúrófej segítségével fúrjon egy kezdő lyukat a kereten található lyukon keresztül.
3. Csatlakoztassa az ablakzáró kapcsot a tolóablakhoz egy facsavarral (mellékelve 4 db) az ablak rögzítéséhez.




A Felső ablakszárny
B Ablakzár kapocs

4. Helyezze fel a tömítőszalagot az alsó ablak tolóablak teteje fölé, a felső ablak üvegéhez.



A A felső ablakszárny teteje
B Tömítőszalag

⚠ FIGYELMEZTETÉS



Áramütés veszélye

Csatlakoztassa egy három érintkezős földelt aljzatba.
Ne távolítsa el a földelő érzékelőt.
Ne használjon adaptert.
Ne használjon hosszabbítót.
Az utasítások be nem tartása esetén halál, tűz, áramütés következhet be.

5. Csatlakoztassa egy három érintkezős földelt aljzatba.

A légkondicionáló használata

A légkondicionáló megfelelő módon történő működtetésével érhető el a lehetséges legjobb eredmények. Ebben a részben kerül ismertetésre a légkondicionáló megfelelő működtetése.

FONTOS:

- A légkondicionáló kijelzőjén a beállított hőmérséklet látható.
- A kijelzőn csak készenléti üzemmódba látható a környezeti hőmérséklet.
- Ha a légkondicionáló működése közben történik váltás az üzemmódok között, a kompresszor 3-5 percre leáll, mielőtt az új üzemmódban kezdene el működni.

- Ha ez idő alatt egy gomb megnyomásra kerül, a kompresszor még 3-5 percig nem indul újra.
- Cooling vagy Dry üzemmódban a kompresszor és a kondenzátor ventilátor leáll, amikor a szobahőmérséklet eléri a beállított értéket.

MEGJEGYZÉS:

Áramkimaradás esetén a légkondicionáló az előző beállítással kezd újra működni az áram-ellátás helyreállítását követően.

Működési feltételek

COOLING	A készülék működése szempontjából az ideális szobahőmérséklet 21°C~35°C.
HEATING	A készülék működése szempontjából az ideális szobahőmérséklet 7°C~20°C
DRY	A készülék működése szempontjából az ideális szobahőmérséklet 19°C~35°C.

Egyes termékek esetében a megadott tartomány túllépő hőmérséklet is megengedett. Speciális helyzetben vegye fel a kapcsolatot a kereskedővel. Ha a készülék hosszú ideig nyitott ajtó vagy ablak mellett működik COOLING vagy DRY üzemmódban és a relatív páratartalom 80% feletti, a kimenetnél kondenzvíz csöpöghet ki.

FONTOS BIZTONSÁGI UTASÍTÁSOK

FIGYELMEZTETÉS: A légkondicionáló működése közben a tűzveszély, az áramütés és a sérülés kockázatának csökkentése érdekében tartsa eb az alábbi alapvető óvintézkedéseket:

- A készüléket földelt, három érintkezős hálózati aljzatba csatlakoztassa.
- Ne távolítsa el a földelő érintkezőt.
- Ne használjon adaptert.
- Ne használjon hosszabbítót.
- A szervizelés megkezdése előtt áramtalanítsa a készüléket.
- A légkondicionáló üzembe helyezéséhez vagy mozgatásához kettő vagy több személy szükséges.

ŐRIZZE MEG AZ ÚTMUTATÓT

A KÉSZÜLÉK LESELEJTÉSE

- Mielőtt a készüléket leselejtezni, az akkumulátorcellákat hátra kell húzni és az elemeket a biztonságos újrahasznosítás céljából el kell távolítani.
- Ha a készüléket le szeretné selejtezni, vegye fel a kapcsolatot a forgalmazóval. Ha a csövek nem megfelelő módon kerülnek eltávolításra, a hűtőközeg kifolyhat. A termék csomagolását környezetbarát módon hasznosítsa újra vagy ártalmatlanítsa.
- Soha ne tárolja vagy szállítsa a légkondicionálót fejjel lefelé vagy az oldalára döntve, mert ez kárt tehet a kompresszorban.
- A készüléket felügyelet nélkül nem használhatják kisgyerekek és sérült személyek. A kisebb gyerekeket felügyelni szükséges, hogy ne játszhassanak a készülékkel. Az esetlegesen kiszabaduló hűtőközeg a bőrrel érintkezve sérülést okozhat, illetve a levegőbe jutva környezeti károkat is előidézhet.

A légkondicionáló bekapcsolása



MEGJEGYZÉS: Az egyes készülék-típusok esetében az jelölések eltérőek lehetnek, de a funkciók hasonlóak.

1. Válassza ki a kívánt üzemmódot. Lásd " MODE ".
2. Válassza ki a ventilátor sebességét. Lásd " FAN ".
3. Állítsa be a hőmérsékletet. Lásd "TEMPERATURE".
4. Nyomja meg a POWER gombot a légkondicionáló bekapcsolásához.



POWER

MEGJEGYZÉS:

A légkondicionáló a bekapcsolást követően az előző beállításnak megfelelően fog működni.

A készüléken belüli tartályban csak akkor gyűlik össze víz, ha a légkondicionáló nagyon magas páratartalom mellett működik. Ha a víztartály megtelt, a készülék működése leáll. A kijelzőn az "E5" üzenet lesz látható, ami azt jelenti, hogy a belső tartály ki kell üríteni.

Üzemmód

Működési módok:

1. Nyomja meg többször egymás után a MODE gombot, amíg a kívánt beállítás ikonját nem látja villogni.



MODE

2. Cooling (hűtés), Dry (páramentesítés), Fan Only (csak ventilátor) vagy Heating (fűtés) üzemmódok közül választhat.

Cooling – Hűti a szobát. Nyomja meg a FAN gombot a magas, közepes vagy alacsony ventilátor-sebesség kiválasztásához. A hőmérséklet beállításához nyomja meg a plusz vagy a mínusz gombot.

COOL

Dry – Páramentesíti a helyiséget. A hőmérsékletet a légkondicionáló automatikusan állítja be. A ventilátor alacsony sebesség-fokozaton működik.

DRY

MEGJEGYZÉS: A páramentesítés üzemmód nem használható a helyiség hűtésére.

Fan Only – Csak a ventilátor működik. A FAN gomb megnyomásával választhatja ki a ventilátor sebességét (magas, közepes vagy alacsony).

FAN

Heating – fűti a helyiséget. A FAN gomb megnyomásával választhatja ki a ventilátor sebességét (magas, közepes vagy alacsony). A hőmérséklet beállításához nyomja meg a plusz vagy a mínusz gombot.

HEAT

MEGJEGYZÉS: A csak hűtésre szolgáló légkondicionálók esetében a fűtés üzemmód NEM áll rendelkezésre.

A ventilátor sebesség-fokozata

1. A kívánt sebesség-fokozat kiválasztásához nyomja meg többször egymás után a FAN gombot.



FAN

2. Magas, közepes vagy alacsony fokozatok közül választhat. Auto – automatikusan vezérli a ventilátor sebességét, az aktuális szobahőmérséklet és a beállított hőmérséklet függvényében.

HIGH

High – maximális ventilátorsebesség-fokozat

MED

Mid – közepes ventilátorsebesség-fokozat

LOW

Low – alacsony ventilátorsebesség-fokozat

Hőmérséklet

A hőmérséklet növeléséhez nyomja meg a PLUSZ gombot. A beállított hőmérséklet 1°C-kal történő növeléséhez nyomja meg egyszer a PLUSZ gombot.



A hőmérséklet csökkentéséhez nyomja meg a MÍNUSZ gombot. A hőmérséklet 1°C-kal történő csökkentéséhez nyomja meg egyszer a MÍNUSZ gombot.



MEGJEGYZÉS:

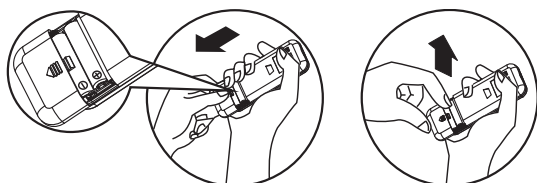
Hűtés (Cooling) üzemmódban a hőmérséklet 16°C és 30°C között állítható be.

Fan Only (csak ventilátor) üzemmódban a hőmérséklet nem állítható be.

A távirányító használata

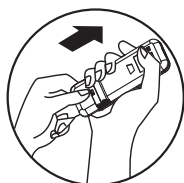
Az elemek behelyezése

1. Távolítsa el az elemtartó fedelét a nyíl irányába.



2. Helyezze be az elemeket ügyelve rá, hogy a (+) és a (-) oldalak a megfelelő helyre kerüljenek.

3. Csúsztassa vissza a fedelet a helyére.



MEGJEGYZÉS:

- Használjon 2 db LR03 AAA (1.5volt) elemet. Ne használjon újratölthető elemeket. Ha a kijelző halványabbá válik, vagy ha 6 hónap eltelt, cserélje ki az elemeket újakra.
- Ha a régi elemeket újakra cseréli, a beállítások elvesznek és az időzítés visszaáll nullára.

Tárolási tipp

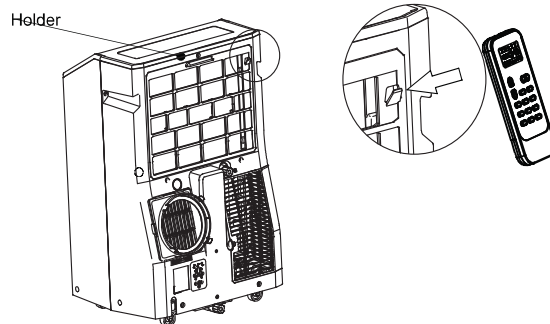
A készülék hátsó oldalán található kapocs használható a távirányító tárolására.

SILENT

A csendes üzemmód bekapcsolásához nyomja meg a SILENT gombot.

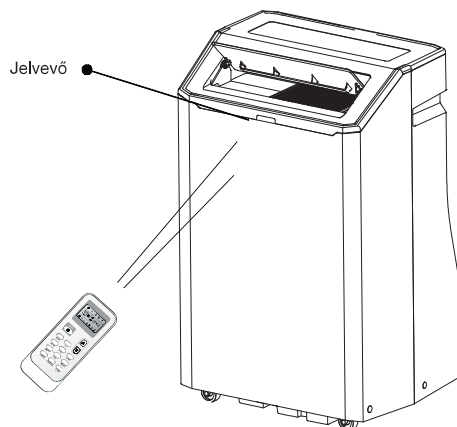


Amikor a vezérlő panelen kigyullad a SILENT jelvény, a csendes üzemmód bekapcsol.



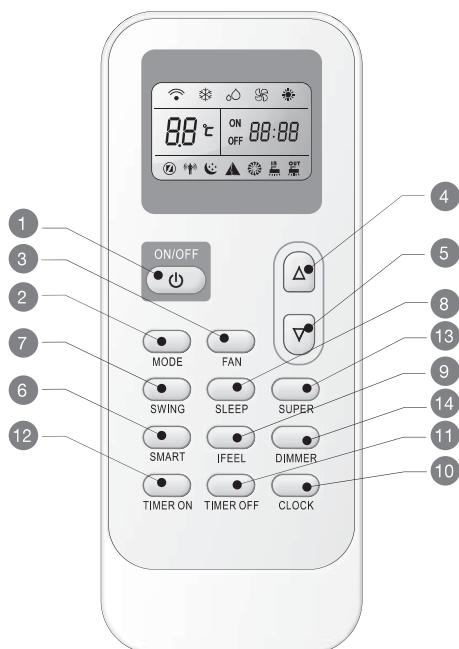
Használat

A légkondicionáló működtetéséhez irányítsa a távirányítót a jelvő felé. A távirányító maximum 23' (7 méter) távolságból képes irányítani a légkondicionálót, ha a jelvő irányába mutat.



MEGJEGYZÉS:

A távirányító megjelenése eltérő lehet.



A csendes üzemmód bekapcsolásához nyomja meg a SILENT gombot.

1	ON/OFF	ON/OFF	8	SLEEP	SLEEP
2	MODE	MODE	9	IFEEL	IFEEL
3	FAN	FAN	10	CLOCK	CLOCK
4	UP	UP	11	Timer Off	Timer Off
5	DOWN	DOWN	12	Timer On	Timer On
6	SMART	SMART	13	SUPER	SUPER
7	SWING	SWING	14	DIMMER	DIMMER

Jelölések

Az LCD kijelzőn megjelenő jelölések:

	Hűtés		Automatikus ventilátor-sebesség
	Páramentesítés		Nagy ventilátor-sebesség
	Csak ventilátor		Közepes ventilátor-sebesség
	Fűtés		Alacsony ventilátor-sebesség

	Smart jelzés		Jelátvitel
	Sleep (alvás) jelzés	ON OFF	88:88
	Ifeel jelzés		
	Super jelzés	88	°C

A beállított idő kijelzése
Az aktuális idő kijelzése
A beállított hőmérséklet kijelzése

Be- és kikapcsolás

A készülék be- illetve kikapcsolásához nyomja meg az ON/OFF gombot

**MEGJEGYZÉS:**

- Üzem módok változtatása működés közben. Időnként a készülék nem reagál azonnal. Várjon 3 perccel.
- A készülék újraindítása előtt várjon 3 perccel.

Üzem mód

1. Nyomja meg többször egymás után a MODE gombot, amíg a kívánt beállítás jele el nem kezd villogni.



2. Válasszon a hűtés, páramentesítés, csak ventilátor vagy fűtés üzemmódok közül.

- Cooling – a helyiség hűtése. A FAN gomb megnyomásával válasszon az AUTO, HIGH, MID vagy LOW beállítások közül. A hőmérséklet beállításához nyomja meg a FEL vagy a LE gombot.



- Dry – Páramentesíti a helyiséget. A hőmérsékletet a légkondicionáló automatikusan állítja be. A ventilátor alacsony sebesség-fokozaton működik.

MEGJEGYZÉS: A páramentesítés üzemmód nem használható a helyiség hűtésére. A távirányító segítségével a hőmérséklet-beállítás 2° C-kal növelhető vagy csökkenthető, ha nem érzi magát kényelmesen.



- Fan Only - Csak a ventilátor működik. A FAN gomb megnyomásával választhatja ki a ventilátor sebességét.

MEGJEGYZÉS: Fan Only üzemmódban az automatikus ventilátor-sebesség nem választható ki.



- Heating - fűti a helyiséget. A FAN gomb megnyomásával választhatja ki a ventilátor sebességét (magas, közepes vagy alacsony). A hőmérséklet beállításához nyomja meg TEMP gombot felfelé vagy lefelé.



SMART üzemmód

Nyomja meg a SMART gombot, A Smart üzemmód (fuzzy logic működés) bekapcsol – függetlenül attól, hogy a készülék be- vagy kikapcsolt állapotban volt. Ennél az üzemmódnál a hőmérséklet és a ventilátor sebesség-fokozata automatikusan kerül beállításra, az aktuális szobahőmérséklet függvényében.

A Smart üzemmódból való kilépéshez nyomja meg a MODE gombot.



A működési mód és a hőmérséklet a beltéri hőmérsékletnek megfelelően kerül meghatározásra.

Hűtő-fűtő típusú készülékek

Beltéri hőmérséklet	Működési mód	Cél hőmérséklet
21°C vagy alatta	HEATING	22°C
21-23°C	FAN ONLY	
23-26°C	DRY	3 perc működés után a szobahőmérséklet 2°C-kal csökken
26°C fölött	COOLING	26°C

Csak hűtő készülékek

Beltéri hőmérséklet	Működési mód	Cél hőmérséklet
23°C vagy alatta	FAN ONLY	22°C
23-26°C	DRY	3 perc működés után a szobahőmérséklet 2°C-kal csökken
Over 26°C	COOLING	26°C

MEGJEGYZÉS: Smart üzemmódban a hőmérséklet és a légáram iránya automatikusan kerülnek beállításra. Ugyanakkor távirányító segítségével a hőmérséklet-beállítás 2° C-kal növelhető vagy csökkenthető, ha nem érzi magát kényelmesen.

Mit tehet ▲ üzemmódban?		
Érzet	Gomb	Módosítás
Kényelmetlen, mert a légáram mennyisége nem megfelelő.	FAN	A beltéri ventilátor sebessége a gomb minden egyes megnyomására változik a magas, közepes és alacsony fokozatok között.
Kényelmetlen, mert a légáram iránya nem megfelelő.	SWING	Nyomja meg egyszer a gombot – ekkor a légterelő legyezni kezd, hogy megváltoztassa a légáram irányát. A gomb újbóli megnyomására a legyező mozgása leáll.

SUPER

A SUPER gomb megnyomásával elindítható vagy leállítható a gyors hűtés vagy fűtés.

1. Nyomja meg a SUPER gombot. A légkondicionáló automatikusan magas ventilátor-fokozatot és 16°C-os hőmérsékletet állít be. A gyors melegítés automatikus ventilátor-sebesség mellett működik, a hőfokot pedig automatikusan 30°C-ra állítja be.



2. A Super üzemmód kikapcsolásához nyomja meg bármely gombot a távirányítón vagy a vezérlő panelen – kivéve a Timer (időzítés be- és kikapcsolása), a Clock (óra), a Dimmer (kijelző elhalványítása), az I/feel vagy a Swing (legyezés) gombokat.

MEGJEGYZÉS:

- SUPER üzemmódban beállítható a légáram iránya vagy az időzítés.
- SUPER üzemmód használata esetén a SMART üzemmód nem áll rendelkezésre.
- SMART üzemmód használata esetén a SUPER gomb nem használható.

gyors hűtés



gyors melegítés



Ventilátor sebesség

1. Nyomja meg a FAN gombot és válassza ki a kívánt ventilátor-sebességet.



- Fan Only üzemmódban az automatikus sebesség-fokozat nem választható ki.
 - aktuális szobahőmérséklet és hőmérséklet-vezérlés
- MEGJEGYZÉS: Fan Only üzemmódban az automatikus sebesség-fokozat nem választható ki.



- High – maximális sebesség-fokozat



- Mid – normál sebesség-fokozat



- Low – minimális sebesség-fokozat



Hőmérséklet

- A hőmérséklet-beállítás növeléséhez nyomja meg a FEL gombot. A FEL gomb egyszeri megnyomására a hőmérséklet-beállítás 1°C-kal nő.



- A hőmérséklet-beállítás csökkentéséhez nyomja meg a LE GOMBOT. A LE gomb egyszeri megnyomására a hőmérséklet-beállítás 1°C-kal csökken.



MEGJEGYZÉSEK:

- Hűtés és fűtés üzemmódokban a hőmérséklet 16°C és 30°C között állítható be.
- Fan Only üzemmódban a hőmérséklet nem állítható be.

Sleep funkció

A SLEEP funkció hűtés, fűtés és páramentesítés üzemmódokban kapcsolható be. Ez a funkció kényelmesebb környezetet biztosít az alváshoz.



MEGJEGYZÉS:

- A készülék működése 8 óra elteltével automatikusan leáll.
- A ventilátor sebesség-fokozatának beállítása automatikusan az alacsony fokozat lesz.
- Hűtés üzemmódban, ha az aktuális szobahőmérséklet 26°C alatt van, a hőmérséklet a Sleep funkció bekapcsolását követő első órában automatikusan 1°C-kal nő, majd azonos marad. Ha a szobahőmérséklet 26°C, vagy annál magasabb, a hőmérséklet nem fog változni.
- Fűtés üzemmódban a beállított hőmérséklet 3 órán át folyamatosan 3°C-kal csökken, majd állandó marad.

1. A hűtés, fűtés vagy páramentesítés üzemmódok egyikének kiválasztásához nyomja meg a MODE gombot.
MEGJEGYZÉS: A Sleep funkció nem kapcsolható be páramentesítés és SMART üzemmódok esetében.

2. A hőmérséklet beállításához nyomja meg a FEL vagy a LE gombot.

3. Nyomja meg a SLEEP gombot. 5 másodperc elteltével a vezérlő panel jelfényei elhalványulnak.

MEGJEGYZÉS: Ha a Sleep funkció aktív, a hőmérséklet és a légáram iránya igény szerint módosítható. A ventilátor sebessége automatikusan alacsony fokozaton lesz, 5 másodperc elteltével a vezérlő panel jelfényei ismét elhalványulnak.

4. A Sleep funkció kikapcsolásához nyomja meg a SLEEP, MODE, FAN, ON/OFF, vagy SUPER gombot – vagy várjon 8 órát, amíg a Sleep funkció automatikusan kikapcsol.

MEGJEGYZÉS: A Sleep funkció kikapcsolását követően a légkondicionáló visszaáll a korábbi beállításokra.

IFEEL

A távirányítóba beépített hőmérséklet-érzékelő bekapcsol. A szenzor érzékeli képes a környezeti hőmérsékletet és jeleket küld erről a készüléknek. A készülék a maximális kényelem érdekében módosítani tudja a hőmérsékletet.



MEGJEGYZÉS: Az IFEEL funkció bekapcsolása: nyomja meg egyszer az IFEEL gombot – a funkció ezzel bekapcsolásra kerül. A funkció kikapcsolásához nyomja meg ismét az IFEEL gombot. Ha az IFEEL funkció nem kapcsolható ki, nyomja meg a gombot ismét körülbelül 5 másodperc elteltével. A távirányítón javasolt olyan helyre tenni, ahonnan a készülék könnyen tudja venni a jeleket. A légkondicionáló kikapcsolásakor javasolt az IFEEL funkciót is kikapcsolni, az energiatakarékosság érdekében.



DIMMER

Nyomja meg a DIMMER gombot a világítás és a kijelző kikapcsolásához.



MEGJEGYZÉS:

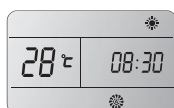
- Ha a világítás ki van kapcsolva, a jelek vételek ismét bekapcsol.

Óra funkció

1. Az aktuális idő a CLOCK gomb megnyomásával állítható be vagy módosítható.



2. A pontos idő a FEL és a LE gombok segítségével állítható be.



3. Ezt követően nyomja meg ismét a CLOCK gombot – a napi idő ezzel beállításra került.

A TIMER (időzítés) be- és kikapcsolása

Az időzítés beállításához nyomja meg a TIMER ON/OFF gombokat mielőtt elhagyná a lakást – így a beállított kellemes szobahőmérséklet fogja várni, ami hazaér.

MEGJEGYZÉS: Az időzítés a beállított napi idő függvényében működik – először tehát be kell állítania az órát.

A bekapcsolás időzítése (TIMER ON)

A TIMER ON gomb segítségével kapcsolható be automatikusan a készülék a beállított időpontban.

1. Nyomja meg a TIMER ON gombot. Az LCD kijelzőn ekkor az »On 12:00« üzenet fog villogni.



2. Az időpont, amikor a készüléket be szeretnének kapcsolni a LE és a FEL gombok segítségével állítható be.



- Nyomja meg egyszer a LE vagy a FEL gombot az idő-beállítás egy perccel történő növeléséhez vagy csökkentéséhez.
- Nyomja meg és tartsa benyomva 2 másodpercig a LE vagy a FEL gombot az időbeállítás 10 perces lépésekben történő növeléséhez vagy csökkentéséhez.
- Nyomja meg és tartsa benyomva hosszabb ideig a FEL vagy a LE gombot a beállítás 1 órás lépésekben történő növeléséhez vagy csökkentéséhez.

3. Ha a beállítani kívánt idő megjelenik az LCD kijelzőn, nyomja meg a TIMER ON gombot az érvényesítéséhez.

Ekkor sípolás lesz hallható és villogni kezd az »ON« jelzés. A készüléken kigyullad a TIMER jelzés.

4. A beállított idő 5 másodpercig lesz látható a kijelzőn, utána a beállított idő helyett az óra lesz látható a távirányító kijelzőjén.

Az időzítés törlése

Nyomja meg ismét a TIMER ON gombot – ekkor sípolás lesz hallható, a jelzés eltűnik, és a TIMER ON üzemmód törlésre kerül.

MEGJEGYZÉS: A TIMER OFF (kikapcsolás időzítése) hasonlóan működik – a készülék automatikus kikapcsolása beállítható egy igény szerinti időpontra.



SWING (legyezés)

Nyomja meg egyszer a SWING gombot a légáram irányának módosításához. Nyomja meg ismét a gombot a légterelő kívánt pozícióban való megállításához.



MEGJEGYZÉS:

- A légáram iránya automatikusan kerül beállításra bizonyos szögben – a készülék bekapcsolását követően érvényes működési módnak megfelelően.
- A légáram iránya igény szerint módosítható is, a SWING gomb megnyomásával.
- A függőleges légterelőket ne próbálja kézzel mozgatni, ellenkező esetben működési zavar következhet be. Ha erre sok kerül, kapcsolja ki a készüléket és szakítsa meg az áram-ellátást, majd kapcsolja be újra.

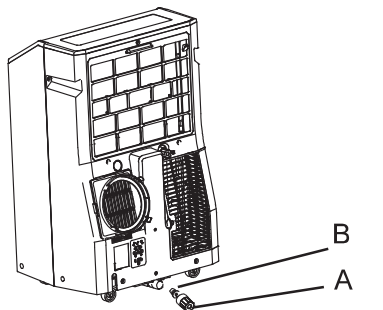
Normál hangok

A légkondicionáló normál működése során ilyen hangokat hallhat:

- A levegő mozgása a ventilátorban.
- Kattogás a termosztátból.
- Vibrálás vagy zaj a gyenge fal- vagy ablakszerkezet miatt.
- Éles zúgás vagy pulzáló zaj, amit a modern, nagy hatékonyságú kompresszor be- és kikapcsolása okoz.

A légkondicionáló ápolása

A légkondicionáló víztelenítése



A. Primary drain cover B. Primary drain plug

⚠ FIGYELMEZTETÉS

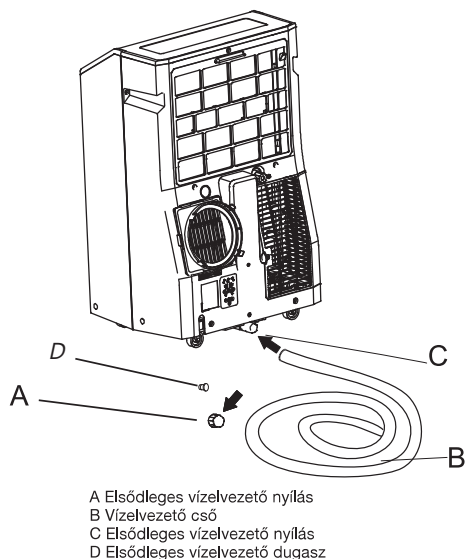
Nagy tömeg veszélye

A légkondicionáló mozgatásához vagy üzembe helyezéséhez legalább két személyre van szükség.

Ellenkező esetben hát- vagy más sérülés következhet be.

1. Húzza ki a légkondicionáló villásdugóját a konnektorból vagy kapcsolja ki az áramot.
2. Mozgassa a légkondicionálót a vízleeresztés helyére, vagy kültérre. **MEGJEGYZÉS:** Annak megelőzésére, hogy a készülékből víz szivárognon, lassan mozgassa a légkondicionálót és tartsa jól.
3. Távolítsa el az elsődleges lefolyónyílás fedelét és dugaszát.
4. A lyukon keresztül eressze le teljesen a vizet. **MEGJEGYZÉS:** Ha ezután a légkondicionáló eltárolásra kerül, olvassa el a »Tárolás használat után« részt.
5. Helyezze vissza a dugaszt az elsődleges vízleeresztő nyílásba.
6. Helyezze vissza az elsődleges vízleeresztő nyílás fedelét.
7. Vigye vissza a helyére a készüléket.
8. Dugja be a villásdugót a konnektorba vagy kapcsolja be ismét az áramot.

A légkondicionáló víztelenítése (Fűtő modellek)



A Elsődleges vízleeresztő nyílás
B Vízleeresztő cső
C Elsődleges vízleeresztő nyílás
D Elsődleges vízleeresztő dugasz

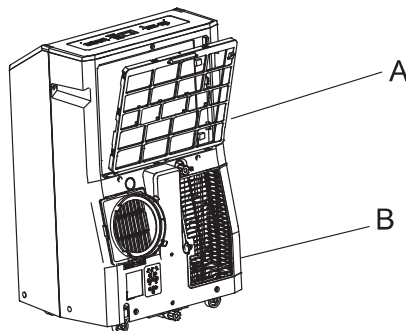
FIGYELMEZTETÉS: Fűtés üzemmódban csatlakoztassa a vízleeresztő csövet, ellenkező esetben a készülék működése leáll, amint a víz elérte a figyelmeztetési szintet.

1. Vegye le a fedelet az elsődleges vízleeresztő nyílásról.
2. Csatlakoztassa a vízleeresztő csövet a vízleeresztő nyílásba. Ügyeljen rá, hogy a csatlakozónál ne szivárognon a víz.
3. Helyezze a vízleeresztő cső másik végét egy lefolyóba. Ellenőrizze, hogy a cső egyenletesen fekszik-e és benne van-e a lefolyóban. Ügyeljen rá, hogy a cső lefolyóba érő vége alacsonyabban legyen, mint a készülékhez csatlakoztatott vége. Nem szabad, hogy a csővön csomó legyen, vagy becsípődjön valahová.

A készülék külső felületeinek tisztítása

1. A légkondicionáló bekapcsolásához nyomja meg az ON/OFF gombot.
2. Húzza ki a villásdugót a konnektorból vagy kapcsolja ki az áramot.
3. Távolítsa el a levegőszűrőt és tisztítsa meg külön. Lásd »A levegőszűrő tisztítása« részt.
4. Törölje át a légkondicionáló külső felületeit puha, nedves ruhával.
5. Csatlakoztassa a villásdugót az aljzatba vagy kapcsolja vissza az áramot.
6. Nyomja meg az ON/OFF gombot a légkondicionáló újraindításához.

A levegőszűrő tisztítása



A. Evaporator air intake filter panel door
B. Condenser air intake filter panel door

1. Az ON/OFF gomb segítségével kapcsolja ki a légkondicionálót.
2. Nyissa ki a szűrőpanel ajtaját a készülék hátsó részén és vegye ki a panelt.
3. Vegye ki a menetes csavart a bemeneti levegőszűrő panel ajtajából és távolítsa el.
4. Egy porszívó segítségével tisztítsa meg a szűrőt. Ha a szűrő nagyon szennyezett, mossa le meleg víz és kímélő tisztítószer segítségével. **MEGJEGYZÉS:** Ne tisztítsa a szűrőt mosogatógépben és ne használjon a tisztításhoz vegyi anyagot.
5. A maximális hatékonyság biztosítása érdekében szárítsa meg a szűrőt teljesen, mielőtt visszahelyezné.
6. Helyezze vissza a levegőszűrőt a panel ajtajába.
7. Helyezze vissza a szűrőpanel ajtaját és a csavart.
8. A légkondicionáló bekapcsolásához nyomja meg az ON/OFF gombot.

Tárolás használat után

Ha a légkondicionáló hosszabb ideig nem lesz használatban:

1. Erressze le teljesen a vizet. Lásd »A légkondicionáló víztelenítése« részt.
2. Működtesse a készüléket Fan Only (csak ventilátor) üzemmódban körülbelül 12 órán át, hogy kiszáradjon.
3. Húzza ki a készülék villásdugóját az aljzatból.

Hibaelhárítás

Mielőtt a szervizhez fordulna, próbálja ki az alábbi javaslatok alapján, hogy megoldható-e a probléma külső segítség nélkül.

A légkondicionáló nem működik

**FIGYELMEZTETÉS**



Áramütés veszélye

Csatlakoztassa 3 érintkezős földelt aljzatba.
Ne távolítsa el a földelő érintkezőt.
Ne használjon adaptert.
Ne használjon hosszabbítót.
Ezen utasítások be nem tartásának következménye halál, tűz vagy áramütés lehet.

• **A csatlakozó kábel nincs bedugva.**

Csatlakoztassa 3 érintkezős földelt aljzatba. Lásd az »Elektromos követelmények« részt.

• **Nem megfelelő teljesítményű biztosíték vagy megszakító van használatban.**

Cserélje ki a biztosítékot vagy a megszakítót megfelelő teljesítményűre. Lásd az »Elektromos követelmények« részt.

• **A háztartás biztosítóka kiment vagy kikapcsolt az áramkör-megszakító.**

Cserélje ki a biztosítékot vagy kapcsolja vissza a megszakítót. Lásd az »Elektromos követelmények« részt. A légkondicionáló egy rövid ideig működik, de a szoba nem hűl le

• **Az On/Off gomb nem került megnyomásra.**

Nyomja meg az ON/OFF gombot.

• **Áramszünet van.**

Várja meg, amíg helyreáll az áram-ellátás.

A légkondicionáló kiveri a biztosítékot vagy lekapcsolja a megszakítót.

• **Túl sok készülék van használatban az adott áramkörön.**

Kapcsolja ki vagy helyezze át azokat a készülékeket, amelyek ugyanazon az áramkörön vannak.

• **A kikapcsolást követően túl hamar szeretné ismét bekapcsolni a készüléket.**

A kikapcsolást követően várjon legalább 3 percet, mielőtt újra bekapcsolná a légkondicionálót.

• **Megváltoztatta az üzemmódot.**

A kikapcsolást követően várjon legalább 3 percet, mielőtt újra bekapcsolná a légkondicionálót.

A légkondicionáló túl sokat van működésben

• **Nyitva van az ajtó vagy az ablak?**

Tartsa zárva az ajtókat és az ablakokat.

• **A légkondicionáló egy régebbi modell helyett került felszerelésre.**

A hatékonyabb alkatrészek használata miatt az új légkondicionáló hosszabb ideig lehet működésben, mint a régebbi típusok, de a teljes energia-felhasználás kevesebb lesz. Az újabb légkondicionálók nem bocsánat ki magukból egy olyan hideg levegő »löketet«, mint a régebbi típusok, de ez nem jelenti azt, hogy gyengébb lenne a hűtőteljesítményük vagy a hatékonyságuk. Nézze meg a légkondicionálón jelölt energia-hatékonyságot (EER és teljesítmény-jelölés (Btu/h)).

• **A légkondicionáló egy túlzóforró helyiségben került elhelyezésre vagy a helyiségben hő termelő készülékek működnek.**

Főzés vagy fürdés közben használjon levegő-elvezető ventilátorokat és próbálja a hő termelő készülékeket nem a nap legmelegebb óráiban használni. A hordozható légkondicionálók egy helyiségen belül bizonyos területek kiegészítő hűtésére szolgálnak. A hűteni kívánt helyiség méretének függvényében nagyobb teljesítményű légkondicionálóra lehet szükség.

A légkondicionáló egy rövid ideig működik, de a helyiség nem hűl

• **Állítsa a hőfokot a helyiség hőmérsékletéhez közeli értékre.**

Csökkentse a beállított hőfokot. Lásd »A légkondicionáló használata« részt.

Hibakód kijelzése

• **Ha a készülék az E5 hibakódot jelzi, megtelt vízzel, amit le kell eresztetni. Lásd »A légkondicionáló víztelenítése« részt. A víz leeresztését követően a készülék ismét működésre kész.**

• Ha a készülék az E1/E2/E3//E6/E7/EA hibakódokat jelzi, forduljon az ügyfélszolgálathoz.

A légkondicionáló működik, de nem hűt

• **A szűrő szennyezett vagy a lerakódásoktól eltömődött.**

Tisztítsa meg a szűrőt.

• **A levegő kimenet akadályoztatva van.**

A levegő kimenet akadályoztatva van.

• **A beállított hőmérséklet túl magas.**

Csökkentse a beállított hőmérsékletet.

A készülék túl gyakran kapcsol ki és be.

• **A légkondicionáló mérete nem felel meg a helyiség méretének.**

Ellenőrizze a készülék hűtőteljesítményét.

A hordozható légkondicionálók egy helyiségen belül bizonyos területek kiegészítő hűtésére szolgálnak.

• **A szűrő szennyezett vagy a lerakódásoktól eltömődött.**

Tisztítsa meg a szűrőt.

• **A helyiségben túl nagy a hő vagy a pára (főzés, fürdés, stb. miatt).**

A hő és a nedvesség helyiségből való eltávolítására használjon ventilátort. Ne használja a hő termelő készülékeket a nap legmelegebb időszakában.

• **A légtelők akadályoztatva vannak.**

A légkondicionálót olyan helyre helyezze el, ahol a légtelöket nem akadályozzák függönyök, zsáluk, bútorok, stb.

Hisense

INSTRUKCJA MONTAŻU I OBSŁUGI

Dziękujemy za zakup klimatyzatora marki Hisense. Przed instalacją i uruchomieniem urządzenia prosimy o dokładne zapoznanie się z instrukcją obsługi. Prosimy również o zachowanie niniejszej instrukcji.

SPIS TREŚCI

ŚRODKI OSTROŻNOŚCI	2	Normalne odgłosy pracy	27
OPIS KLIMATYZATORA	12	KONSERWACJA KLIMATYZATORA	28
WSKAZÓWKI DOTYCZĄCE BEZPIECZEŃSTWA	16	Opróżnianie klimatyzatora	28
WYMAGANIA MONTAŻOWE	16	Opróżnianie klimatyzatora (modele z funkcją grzania)	28
Wykaz narzędzi i materiałów do montażu	16	Czyszczenie powierzchni zewnętrznych	28
Wymagania dotyczące lokalizacji	17	Czyszczenie filtra powietrza	28
Środki ostrożności	17	Przechowywanie po użyciu	28
INSTRUKCJE MONTAŻU	17	ROZWIĄZYWANIE PROBLEMÓW	29
Rozpakowywanie klimatyzatora	17		
Montaż klimatyzatora (w oknie)	18		
Czynności końcowe	20		
OBSŁUGA KLIMATYZATORA	21		
Uruchamianie klimatyzatora	22		
Korzystanie z pilota zdalnego sterowania	23		

Zasady bezpieczeństwa

Urządzenie to może być używane przez dzieci w wieku powyżej 8 lat oraz osoby o ograniczonej zdolności fizycznej, czuciowej lub psychicznej lub nieposiadające doświadczenia i wiedzy, jeśli są one pod nadzorem lub otrzymały instrukcje dotyczące użytkowania urządzenia w sposób bezpieczny i rozumieją związane z nim zagrożenia. Dzieci nie powinny bawić się urządzeniem. Czyszczenie i konserwacja urządzenia nie powinny być wykonywane przez dzieci bez nadzoru osoby dorosłej. Należy pilnować, aby dzieci nie bawiły się urządzeniem.

Uszkodzony przewód zasilający powinien zostać wymieniony przez producenta, jego przedstawiciela serwisowego lub inną wykwalifikowaną osobę w celu uniknięcia zagrożeń. Urządzenie powinno być zamontowane zgodnie z krajowymi przepisami dotyczącymi okablowania instalacji elektrycznych. Zakres wartości sprężu dyspozycyjnego wynosi od -0,2 Pa do 0,2 Pa. Urządzenie należy montować w odległości nie mniejszej niż 5m od rozgrzanych powierzchni mogących spowodować zapłon. Nie używać klimatyzatora w wilgotnym pomieszczeniu, takim jak łazienka lub pralnia.

OCHRONA ŚRODOWISKA

To urządzenie wykonane jest z materiałów nadających się do recyklingu lub wielokrotnego użytku. Złomowanie należy przeprowadzić zgodnie z obowiązującymi przepisami dotyczącymi usuwania odpadów. Przed złomowaniem, należy odciąć przewód zasilający, aby urządzenie nie mogło zostać ponownie użyte.

Aby uzyskać bardziej szczegółowe informacje na temat postępowania z tym produktem i jego recyklingu, należy skontaktować się z lokalnymi organami administracyjnymi, odpowiedzialnymi za gospodarkę odpadami lub sklepem, w którym zakupiono urządzenie.

ZŁOMOWANIE URZĄDZENIA

Urządzenie to jest oznaczone zgodnie z Dyrektywą Parlamentu Europejskiego i Rady 2012/19/UE w sprawie zużytego sprzętu elektrycznego i elektronicznego (ZSEE).

Ten symbol informuje, że produkt nie powinien być usuwany razem z innymi odpadami pochodzącymi z gospodarstwa domowego. Aby zapobiec szkodliwemu wpływowi niekontrolowanego usuwania odpadów na środowisko i zdrowie człowieka, konieczne jest odpowiedzialne utylizowanie urządzenia w celu odzysku materiałów. Zużyte urządzenie należy przekazać do odpowiedniego punktu zbiórki lub skontaktować się z punktem sprzedaży, w którym urządzenie zostało zakupione w celu właściwego jego przetworzenia.



Środki ostrożności

Środki ostrożności dotyczące stosowania czynnika chłodniczego R290

Zasadnicze czynności montażu są takie same jak w przypadku tradycyjnego czynnika chłodniczego (R22 lub R410A). Należy jednak stosować się do poniższych uwag:

UWAGA

1. Transport urządzeń zawierających łatwopalne czynniki chłodnicze

Stosować się do przepisów dotyczących transportu

2. Oznakowanie urządzeń

Stosować się do krajowych przepisów

3. Usuwanie urządzeń zawierających łatwopalne czynniki chłodnicze

Stosować się do krajowych przepisów

4. Przechowywanie sprzętu/urządzeń

Przechowywanie sprzętu powinno odbywać się zgodnie z instrukcjami producenta.

5. Przechowywanie zapakowanych (niesprzedanych) urządzeń

- Opakowanie magazynowe powinno zabezpieczone w taki sposób, aby mechaniczne uszkodzenie sprzętu znajdującego się wewnątrz nie spowodowało wycieku czynnika chłodniczego.
- Maksymalną liczbą sztuk urządzeń, które mogą być przechowywane razem określają krajowe przepisy.

6. Informacje dotyczące serwisowania

6-1 Kontrola obszaru pracy

Przed rozpoczęciem prac z instalacjami zawierającymi łatwopalne czynniki chłodnicze należy przeprowadzić kontrole bezpieczeństwa w celu zminimalizowania ryzyka zapłonu. Podczas wykonywania naprawy instalacji chłodniczej należy przed rozpoczęciem pracy zachowywać następujące środki ostrożności.

6-2 Procedura pracy

Czynności robocze powinny być wykonywane zgodnie z kontrolowaną procedurą postępowania, aby zminimalizować ryzyko wystąpienia podczas prac obecności łatwopalnego gazu lub oparów.

6-3 Obszar prowadzenia prac

- Wszyscy pracownicy wykonujący konserwację oraz inne osoby pracujące w pobliżu instalacji powinni zostać pouczeni o specyfice przeprowadzanych prac. Należy unikać prowadzenia prac w zamkniętych przestrzeniach.
- Obszar wokół miejsca pracy powinien zostać wygrodzony. Zapewnić bezpieczeństwo w obszarze prowadzenia prac poprzez kontrolę obecności łatwopalnego materiału.

Środki ostrożności



UWAGA

6-4 Kontrola obecności czynnika chłodniczego

- Przed rozpoczęciem prac i podczas ich wykonywania obszar roboczy powinien być sprawdzany przy użyciu odpowiedniego detektora czynnika chłodniczego, aby personel montażowy miał świadomość obecności materiałów łatwopalnych.
- Upewnić się, że wykrywacz nieszczelności może być stosowany z łatwopalnymi czynnikami chłodniczymi, tzn. jest nieiskrzący, odpowiednio uszczelniony lub iskrobezpieczny.

6-5 Dostępność gaśnicy

- W przypadku wykonywania jakichkolwiek prac pożarowo niebezpiecznych na urządzeniu chłodniczym lub powiązanych z nim częściach należy zapewnić dostępność odpowiedniego sprzętu gaśniczego.
- W pobliżu miejsca napełniania czynnikiem chłodniczym umieścić gaśnicę proszkową lub CO₂.

6-6 Brak źródeł zapłonu

- Zabronione jest używanie jakichkolwiek źródeł zapłonu podczas prac z systemem chłodniczym obejmujących bezpośredni kontakt z rurą zawierającą, bądź nie, łatwopalny czynnik chłodniczy, w sposób mogący doprowadzić do pożaru lub wybuchu.
- Wszelkie możliwe źródła zapłonu, w tym tłący się papieros, należy utrzymywać w bezpiecznej odległości od miejsca wykonywania montażu, napraw, demontażu i usuwania, podczas których łatwopalny czynnik chłodniczy mógłby zostać uwolniony do otoczenia.
- Przed przystąpieniem do prac należy sprawdzić, czy w obszarze wokół urządzenia nie występują zagrożenia łatwopalne lub ryzyko zapłonu. Należy umieścić znak „Zakaz palenia”.

6-7 Wentylacja obszaru prac

- Przed demontażem elementów instalacji lub wykonywaniem prac pożarowo niebezpiecznych należy sprawdzić, czy obszar prac znajduje się na otwartej przestrzeni lub posiada odpowiednią wentylację.
- W czasie wykonywania prac powinna być włączona wentylacja.
- System wentylacji powinien zapewniać bezpieczne odprowadzenie uwolnionego czynnika chłodniczego, najlepiej na zewnątrz do atmosfery.

6-8 Kontrola urządzeń chłodniczych

- Wymieniane części elektryczne powinny być zgodne z przeznaczeniem i specyfikacją określoną w instrukcji.



UWAGA

- W każdym przypadku należy przestrzegać wytycznych producenta dotyczących konserwacji i serwisowania. W razie wątpliwości należy skonsultować się z działem technicznym producenta w celu uzyskania pomocy.
- W instalacjach wykorzystujących łatwopalne czynniki chłodnicze należy przeprowadzać następujące kontrole:
 - Ładunek czynnika chłodniczego odpowiada wielkości pomieszczenia, w którym zamontowane są elementy zawierające czynnik,
 - Urządzenia wentylacyjne pracują prawidłowo a wyloty nie są zasłonięte,
 - W przypadku stosowania pośredniego obiegu chłodniczego należy sprawdzić obecność czynnika chłodniczego w obiegu wtórnym,
 - Oznakowanie urządzenia jest widoczne i czytelne. Oznakowanie, które jest nieczytelne należy wymienić na nowe.
 - Rury i elementy zawierające czynnik chłodniczy są zamontowane w miejscu, w którym jest małe prawdopodobieństwo występowania jakiegokolwiek substancji, która mogłaby powodować korozję tych elementów, chyba że są one wykonane z materiałów odpornych na korozję lub odpowiednio zabezpieczonych przed korozją.

6-9 Kontrola urządzeń elektrycznych

- Czynności napraw i konserwacji części elektrycznych powinny obejmować wstępną kontrolę bezpieczeństwa oraz procedurę kontroli stanu części.
- W przypadku występowania usterki mogącej zagrażać bezpieczeństwu, urządzenie musi pozostać odłączone od zasilania, aż do momentu rozwiązania problemu w satysfakcjonującym stopniu.
- Jeśli nie jest możliwe natychmiastowe usunięcie usterki, a konieczne jest kontynuowanie prac, należy zastosować właściwe rozwiązanie tymczasowe. O fakcie tym należy poinformować operatora urządzenia.
- Wstępne kontrole związane z bezpieczeństwem obejmują:
 - Sprawdzenie, czy kondensatory są rozładowane: czynność tę należy wykonać w sposób bezpieczny, aby uniknąć możliwości iskrzenia,
 - Sprawdzenie, czy żadne części lub uzwojenia będące pod napięciem nie są odkryte podczas napełniania, odzysku czynnika lub czyszczenia instalacji,
 - Sprawdzenie ciągłości uziemienia.



UWAGA

7. Naprawy części uszczelnianych

- Podczas naprawy części uszczelnianych należy przed każdym demontażem szczelnych pokryw, itp., odłączyć zasilanie elektryczne od urządzenia, na którym prowadzone są prace.
- Jeśli podczas serwisowania niezbędne jest, aby zasilanie było włączone, w miejscach najbardziej krytycznych należy zamontować urządzenia do wykrywania nieszczelności, pracujące w trybie ciągłym, aby ostrzec o potencjalnie niebezpiecznej sytuacji.
- Podczas prac wykonywanych na częściach elektrycznych należy zwracać szczególną uwagę, aby nie wprowadzać zmian powodujących naruszenie poziomu bezpieczeństwa. Zmiany takie obejmują uszkodzenia izolacji kabli, wykonywanie nadmiernej liczby połączeń, stosowanie zacisków kablowych niezgodnych z oryginalnymi, uszkodzenia uszczelki, niewłaściwy montaż dławików kablowych, itp.
- Sprawdzić, czy urządzenie jest pewnie zamontowane.
- Sprawdzić, czy uszczelki lub materiały uszczelniające nie uległy degradacji w takim stopniu, że nie zapobiegają dalej wnikaniu materiałów łatwopalnych.
- Części zamienne powinny być zgodne ze specyfikacjami producenta.

UWAGA:

Zastosowanie silikonowego środka uszczelniającego może zmniejszać skuteczność działania niektórych typów urządzeń do wykrywania wycieków. Podczas wykonywania prac nie jest konieczne odłączanie od zasilania części iskrobezpiecznych.

8. Naprawa części iskrobezpiecznych

- Nie podłączać do obwodu żadnych stałych obciążeń indukcyjnych lub pojemnościowych bez upewnienia się, że nie spowoduje to przekroczenia dopuszczalnych wartości napięcia i prądu dla używanego sprzętu.
- Części iskrobezpieczne są jedynymi elementami, które mogą pozostawać pod napięciem w obecności materiałów łatwopalnych. Używać aparatury pomiarowej o wymaganych wartościach znamionowych.
- Przy wymianie należy stosować tylko części określone przez producenta. Inne części mogą spowodować zapłon czynnika chłodniczego, który uwolnił się do otoczenia.

UWAGA

9. Okablowanie elektryczne

- Sprawdzić, czy okablowanie elektryczne nie jest zużyte, skorodowane, wystawione na działanie nadmiernych naprężeń, drgań, ostrych krawędzi ani żadnych innych niepożądanych czynników.
- Kontrola powinna także obejmować wpływ starzenia się lub ciągłych drgań pochodzących ze źródeł takich jak sprężarki lub wentylatory.

10. Wykrywanie łatwopalnych czynników chłodniczych

- W żadnym wypadku nie wolno stosować potencjalnych źródeł zapłonu do wykrywania miejsc wycieków czynnika chłodniczego.
- Nie należy używać palnika halogenowego (ani żadnego innego wykrywacza z otwartym płomieniem).

11. Metody wykrywania nieszczelności

- W instalacjach zawierających łatwopalne czynniki chłodnicze dopuszczalne są następujące metody wykrywania nieszczelności:
 - Wykrywanie łatwopalnych czynników chłodniczych przy użyciu elektronicznych wykrywaczy nieszczelności. Czułość tych wykrywaczy może nie być wystarczająca lub mogą one wymagać ponownej kalibracji urządzenia do wykrywania nieszczelności należy kalibrować w obszarze wolnym od czynnika chłodniczego).
 - Upewnić się, że wykrywacz nie jest potencjalnym źródłem zapłonu i jest przeznaczony do stosowanego czynnika chłodniczego.
 - Urządzenie do wykrywania nieszczelności powinno być ustawione na dolną granicę wybuchowości czynnika chłodniczego i być skalibrowane do używanego czynnika chłodniczego.
 - Płyny do wykrywania wycieków mogą być stosowane do większości czynników chłodniczych. Należy unikać używania detergentów zawierających chlor, ponieważ chlor może reagować z czynnikiem chłodniczym i powodować korozję rur miedzianych.
 - W przypadku podejrzenia wycieku należy usunąć lub zgasić wszystkie źródła otwartego płomienia.
 - W przypadku wykrycia wycieku czynnika chłodniczego w miejscu, które wymaga lutowania, należy usunąć z instalacji cały ładunek czynnika chłodniczego lub odizolować ładunek za pomocą zaworów odcinających) znajdujący się w części instalacji leżącej z dala od miejsca wycieku.
 - Następnie należy przedmuchać instalację azotem bez zawartości tlenu zarówno przed jak i podczas procesu lutowania.

UWAGA

12. Odzysk czynnika i próżniowanie instalacji

- Podczas demontażu obiegu czynnika chłodniczego w celu wykonania napraw, lub w jakimkolwiek innym celu, należy przestrzegać normalnych procedur postępowania.
- Ważne jest jednak stosowanie najlepszych praktyk z uwagi na wysokie stopień łatwopalności.
- Należy przestrzegać następującej procedury postępowania:
 - Usunąć czynnik chłodniczy,
 - Przedmuchać obieg gazem obojętnym,
 - Wykonać próżniowanie,
 - Ponownie przedmuchać obieg gazem obojętnym,
 - Otworzyć obieg przez przecięcie rury lub rozlutowanie złącza.
- Odzyskiwany czynnik chłodniczy powinien być magazynowany w odpowiednich butlach.
- Instalację należy „przepłukać” azotem bez zawartości tlenu, aby zapewnić bezpieczeństwo urządzenia. Czynność ta może wymagać kilkukrotnego powtórzenia.
- Zabronione jest stosowanie do tego celu sprężonego powietrza lub tlenu.
- Przepłukiwanie należy wykonać przez napełnienie instalacji z wytworzoną próżnią azotem bez zawartości tlenu, aż do osiągnięcia ciśnienia roboczego, a następnie odpowietrzenie do atmosfery i ponowne wytworzenie próżni.
- Proces ten należy powtórzyć, aż do całkowitego usunięcia czynnika chłodniczego z instalacji. Po wykonaniu końcowego przepłukiwania azotem bez zawartości tlenu należy odpowietrzyć instalację do poziomu ciśnienia atmosferycznego, aby możliwe było wykonanie dalszych prac.
- Wykonanie tych czynności jest kluczowe w przypadku dalszego wykonywania prac związanych z lutowaniem rur.
- Upewnić się, że w pobliżu wylotu pompy próżniowej nie znajdują się jakiegokolwiek źródła zapłonu i zapewniona jest prawidłowa wentylacja.

13. Procedury napełniania czynnikiem

Oprócz typowych procedur napełniania czynnikiem chłodniczym należy stosować się dodatkowo do poniższych instrukcji:

- Upewnić się, że przy używaniu urządzeń do napełniania nie nastąpi zanieczyszczenie czynnika innymi czynnikiemami chłodniczymi.
- Węże elastyczne lub przewody rurowe powinny być jak najkrótsze, aby zminimalizować ilość zawartego w nich czynnika chłodniczego.

UWAGA

- Butle powinny być utrzymywane w pozycji pionowej.
- Przed napełnianiem instalacji czynnikiem chłodniczym upewnić się, że układ chłodniczy jest uziemiony.
- Po zakończeniu napełniania oznakować instalację odpowiednią etykietą, (jeśli jeszcze nie została oznakowana).
- Zachować szczególną ostrożność, aby nie przepelnić układu chłodniczego.
- Przed ponownym napełnianiem instalacji należy sprawdzić ciśnienie przy użyciu azotu bez zawartości tlenu.
- Po zakończeniu napełniania, lecz przed uruchomieniem próbnym, należy sprawdzić instalację pod kątem występowania wycieków.
- Przed opuszczeniem miejsca pracy należy wykonać kontrolną próbę szczelności.

14. Wycofanie z eksploatacji

- Przed wykonaniem tej procedury ważne jest, aby technik był zaznajomiony ze sprzętem i wszystkimi jego szczegółami.
- Zalecaną, dobrą praktyką jest przeprowadzenie odzysku całego czynnika chłodniczego.
- Przed przystąpieniem do prac należy pobrać próbki oleju i czynnika chłodniczego, jeśli ponowne wykorzystanie zregenerowanego czynnika chłodniczego wymaga przeprowadzenia analizy. Istotne jest, aby przed rozpoczęciem prac dostępne było zasilanie elektryczne.
 - a) Zapoznać się z urządzeniem i sposobem jego działania.
 - b) Odłączyć zasilanie elektryczne instalacji.
 - c) Przed przystąpieniem do wykonywania procedury upewnić się, że:
 - Dostępny jest sprzęt do przenoszenia butli czynnika chłodniczego,
 - Dostępne są wszystkie środki ochrony osobistej i są one prawidłowo używane,
 - Proces odzysku czynnika jest nadzorowany w każdym przypadku przez kompetentną osobę,
 - Urządzenia do odzysku oraz butle czynnika są zgodne z odpowiednimi normami.
 - d) Jeśli to możliwe, wykonać próżniowanie instalacji chłodniczej.
 - e) Jeśli próżniowanie nie jest możliwe, zastosować rozdzielacz, aby można było usunąć czynnik chłodniczy z różnych części instalacji.
 - f) Przed rozpoczęciem odzysku czynnika upewnić się, że butla umieszczona jest na wadze.

Środki ostrożności

UWAGA

- g) Uruchomić stację do odzysku czynnika i postępować zgodnie z instrukcjami producenta.
- h) Nie przepelniać butli (ładunek w fazie ciekłej nie może przekraczać 80% objętości butli).
- i) Nie przekraczać maksymalnego ciśnienia roboczego butli, nawet chwilowo.
- j) Po prawidłowym napełnieniu butli i zakończeniu procesu należy niezwłocznie usunąć butle i resztę sprzętu z obszaru prac i zamknąć wszystkie zawory odcinające urządzenia.
- k) Nie należy napełniać innej instalacji chłodniczej odzyskanym czynnikiem chłodniczym zanim nie zostanie oczyszczony i sprawdzony.

15. Znakowanie

- Urządzenie musi zostać oznakowane etykietą, że zostało ono wycofane z eksploatacji i opróżnione z czynnika chłodniczego.
- Etykieta musi być opatrzona datą i podpisem.
- Upewnić się, że na urządzeniu znajdują się etykiety informujące o tym, że urządzenie zawiera łatwopalny czynnik chłodniczy.

16. Odzysk

- Przy usuwaniu czynnika chłodniczego z instalacji w celu jej konserwacji lub wycofania z eksploatacji, zalecaną dobrą praktyką jest bezpieczny odzysk całej ilości czynnika chłodniczego.
- Przy magazynowaniu czynnika chłodniczego w butlach upewnić się, że używane butle są przewidziane do odzysku czynnika chłodniczego.
- Upewnić się, że dostępna jest wystarczająca liczba butli odpowiadająca całkowitemu ładunkowi czynnika w instalacji.
- Wszystkie używane butle powinny być przeznaczone do odzysku czynnika chłodniczego i oznakowane dla tego czynnika.
- Butle powinny być wyposażone w zawory bezpieczeństwa oraz zawory odcinające w dobrym stanie technicznym.
- Puste butle do odzysku powinny być poddane próżniowaniu oraz, jeśli to możliwe, schłodzone przed odzyskiem czynnika.
- Zestaw do odzysku czynnika powinien być w dobrym stanie technicznym, posiadać dołączone instrukcje obsługi zestawu oraz powinien być przeznaczony do odzysku łatwopalnych czynników chłodniczych.
- Ponadto dostępna powinna być prawidłowo skalibrowana waga, w dobrym stanie technicznym.
- Wężę powinny być wyposażone w szczelne złącza i być w dobrym stanie technicznym.

Środki ostrożności

UWAGA

- Przed użyciem stacji do odzysku czynnika sprawdzić, czy jest ona w należytym stanie technicznym, była właściwie konserwowana i czy podłączone do niej części elektryczne są szczelnie osłonięte tak, aby w przypadku uwolnienia czynnika chłodniczego nie doszło do jego zapłonu.
- W przypadku wątpliwości należy skontaktować się z producentem.
- Odzyskany czynnik chłodniczy powinien zostać zwrócony do dostawcy czynnika chłodniczego w butli przeznaczonej do odzysku czynnika z dołączoną Kartą przekazania odpadów.
- Nie mieszać ze sobą czynników chłodniczych w zestawach do odzysku, a szczególnie w butlach.
- W przypadku usuwania sprężarek należy upewnić się, że zostały one prawidłowo opróżnione, aby zapewnić, że olej sprężarkowy nie będzie zawierał łatwopalnego czynnika chłodniczego.
- Opróżnianie należy wykonać przed zwróceniem sprężarki do dostawcy.
- Do przyspieszenia opróżniania dozwolone jest jedynie stosowanie elektrycznego podgrzewania korpusu sprężarki.
- Opróżnianie instalacji z oleju powinno być przeprowadzone w sposób bezpieczny.

UWAGA





- Przy przenoszeniu lub zmianie lokalizacji klimatyzatora należy skonsultować się z doświadczonymi technikami serwisu odnośnie sposobu odłączenia i ponownego montażu urządzenia.
- Nie umieszczać pod jednostką wewnętrzną lub zewnętrzną żadnych innych urządzeń elektrycznych ani sprzętów gospodarstwa domowego. Skropliny kapiące z urządzenia mogą spowodować ich uszkodzenie lub nieprawidłową pracę.
- Nie używać żadnych środków do odmrażania lub czyszczenia, innych niż zalecane przez producenta.
- Urządzenie należy przechowywać w pomieszczeniu bez stałej obecności źródeł zapłonu (np. otwarty płomień, pracujący kocioł gazowy lub grzejnik elektryczny).
- Nie wykonywać otworów ani nie podgrzewać płomieniem obudowy urządzenia. ● Należy pamiętać, że czynniki chłodnicze mogą być bezwonne.
- Nie zasłaniać otworów wentylacyjnych.
- Urządzenie należy przechowywać w dobrze wentylowanym pomieszczeniu o powierzchni zgodnej z podaną w instrukcji.

Środki ostrożności

UWAGA

- Każda osoba uczestnicząca lub wykonująca demontaż obiegu czynnika chłodniczego powinna posiadać aktualny certyfikat, wydany przez zatwierdzoną jednostkę oceniającą, który potwierdza ich kompetencje w zakresie bezpiecznego wykonywania prac z czynnikami chłodniczymi.
- Czynności serwisowe należy wykonywać zgodnie z zaleceniami producenta urządzenia.
- Czynności konserwacji i napraw wymagające pomocy innych wykwalifikowanych pracowników powinny być wykonywane pod nadzorem osoby posiadającej doświadczenie w obchodzeniu się z łatwopalnymi czynnikami chłodniczymi.
- Nie używać żadnych środków do odmrażania lub czyszczenia, innych niż zalecane innych niż zalecane przez producenta.
- Urządzenie powinno być zamontowane, użytkowane i przechowywane w pomieszczeniu o powierzchni większej niż +AP-09C*4GN*S0*(8.2m²), +AP-09H*4GN*S0*(8.2m²)
+AP-12C*4GQ*S0*(14.5m²), +AP-12H*4GQ*S0*(14.5m²)
- Instalacja rurowa powinna być zgodna z krajowymi przepisami dotyczącymi instalacji gazowych.
- Obszary zawierające orurowanie chłodnicze powinny być zgodne z krajowymi przepisami dotyczącymi instalacji gazowych.
- Serwisowanie urządzenia należy wykonywać wyłącznie wg zaleceń określonych przez producenta urządzenia.
- Wszystkie procedury pracy, które mają wpływ na środki bezpieczeństwa, mogą być wykonywane wyłącznie przez kompetentne osoby.
- Maksymalny ładunek czynnika chłodniczego wynosi 0,936 kg.
- Złącza mechaniczne stosowane wewnątrz pomieszczeń powinny być zgodne z normą ISO 14903. Przy demontażu i ponownym użyciu złączy mechanicznych wewnątrz pomieszczeń, elementy uszczelniające powinny zostać wymienione na nowe. Przy demontażu i ponownym użyciu złączy kielichowych wewnątrz pomieszczeń należy ponownie wykonać część złącza z kielichem.
- Ograniczyć do minimum długość rur użytych w instalacji.
- Złącza mechaniczne powinny być dostępne na potrzeby konserwacji.

Objaśnienie symboli umieszczonych na jednostce wewnętrznej lub jednostce zewnętrznej.

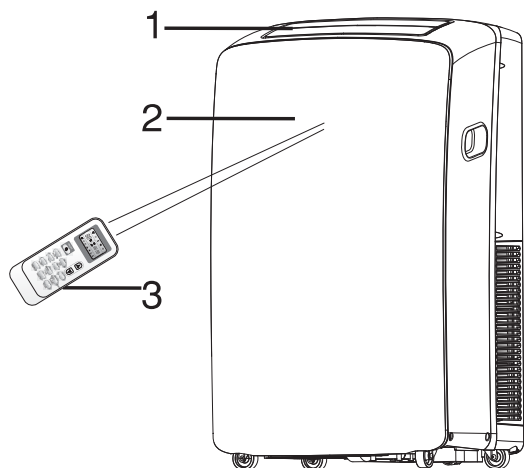
 Caution, risk of fire	OSTRZEŻENIE	Symbol ten informuje, że w urządzeniu wykorzystywany jest łatwopalny czynnik chłodniczy. Istnieje ryzyko pożaru, jeśli dojdzie do wycieku czynnika chłodniczego i jego kontaktu z zewnętrznym źródłem zapłonu.
	UWAGA	Symbol ten informuje o konieczności uważnego przeczytania instrukcji obsługi.
	UWAGA	Symbol ten informuje o konieczności obchodzenia się z urządzeniem zgodnie z jego instrukcją montażu.
	UWAGA	Symbol ten informuje o dostępnych informacjach takich jak instrukcja obsługi lub instrukcja montażu.

Parametry znamionowe bezpiecznika urządzenia:

+AP-09C*4GN*S0*(T3.15A, 250V), +AP-09H*4GN*S0*(T3.15A, 250V)
+AP-12C*4GQ*S0*(T3.15A, 250V), +AP-12H*4GQ*S0*(T3.15A, 250V)

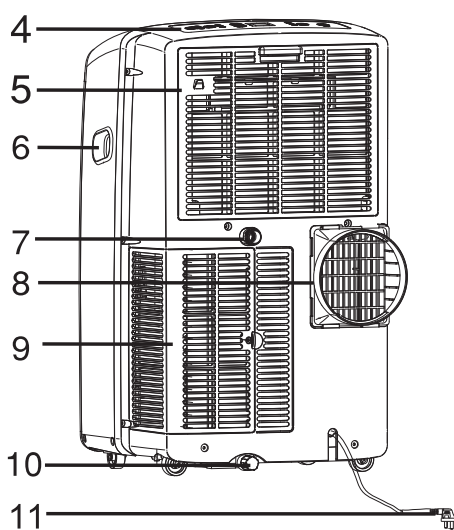
OPIS KLIMATYZATORA

• Prząd

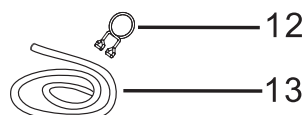


- 1 Wylot chłodnego powietrza
- 2 Odbiornik sygnału pilota
- 3 Pilot zdalnego sterowania
- 4 Panel sterujący
- 5 Włot powietrza do parownika
- 6 Uchwyt transportowy
- 7 Pomocniczy otwór spustowy
- 8 Złączka węża wylotowego powietrza
- 9 Włot powietrza do skraplacza
- 10 Główny otwór spustowy

• Tył



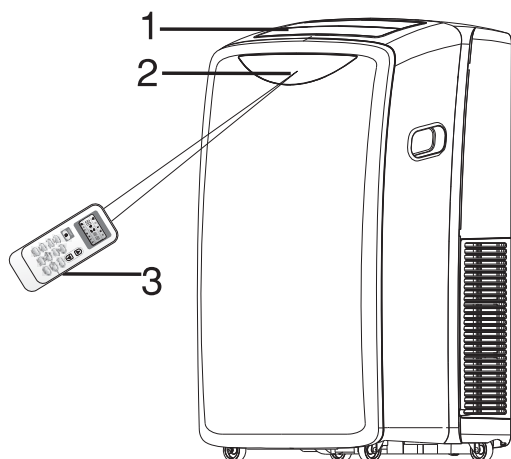
- 11 Przewód zasilający
(może różnić się od pokazanego na rysunku)
- 12 Zacisk węża spustowego (do funkcji grzania)
- 13 Wąż spustowy (do funkcji grzania)



⚠ Rysunki zawarte w instrukcji mogą różnić się od rzeczywistego wyglądu zakupionego urządzenia i mają charakter poglądowy.

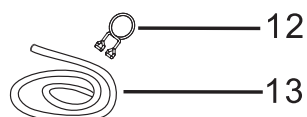
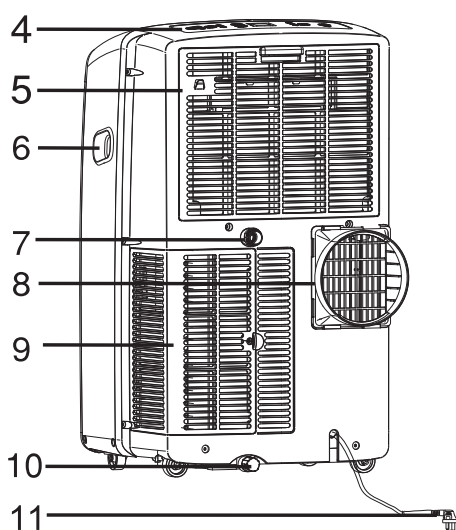
OPIS KLIMATYZATORA


• Prząd



- 1 Wylot chłodnego powietrza
- 2 Odbiornik sygnału pilota
- 3 Pilot zdalnego sterowania
- 4 Panel sterujący
- 5 Wlot powietrza do parownika
- 6 Uchwyt transportowy
- 7 Pomocniczy otwór spustowy
- 8 Złączka węża wylotowego powietrza
- 9 Wlot powietrza do skraplacza
- 10 Główny otwór spustowy
- 11 Przewód zasilający (może różnić się od pokazanego na rysunku)
- 12 Zacisk węża spustowego (do funkcji grzania)
- 13 Wąż spustowy (do funkcji grzania)

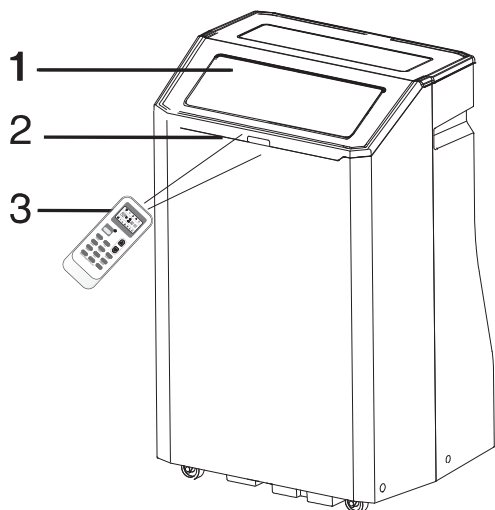
• Tył



 Rysunki zawarte w instrukcji mogą różnić się od rzeczywistego wyglądu zakupionego urządzenia i mają charakter poglądowy.

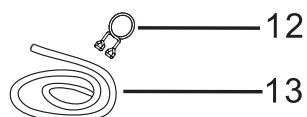
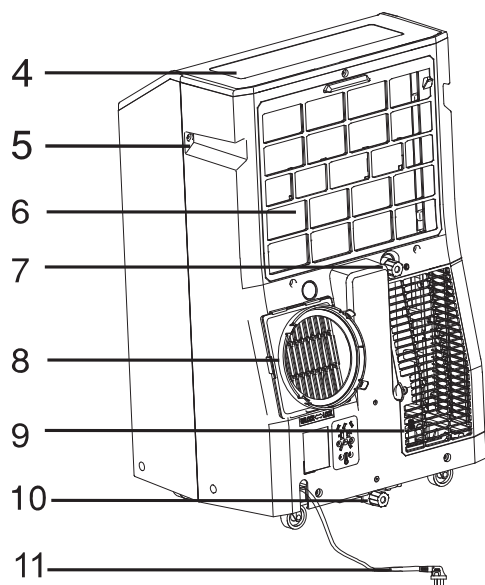
OPIS KLIMATYZATORA


• Przód



- 1 Wylot chłodnego powietrza
- 2 Odbiornik sygnału pilota
- 3 Pilot zdalnego sterowania
- 4 Panel sterujący
- 5 Uchwyt transportowy
- 6 Wlot powietrza do parownika
- 7 Pomocniczy otwór spustowy
- 8 Złączka węża wylotowego powietrza
- 9 Wlot powietrza do skraplacza
- 10 Główny otwór spustowy
- 11 Przewód zasilający (może różnić się od pokazanego na rysunku)
- 12 Zacisk węży spustowych (do funkcji grzania)
- 13 Wąż spustowy (do funkcji grzania)

• Tył



 Rysunki zawarte w instrukcji mogą różnić się od rzeczywistego wyglądu zakupionego urządzenia i mają charakter poglądowy.

WYMAGANIA INSTALACYJNE

Narzędzia i części







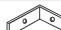




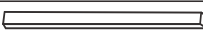





Przed rozpoczęciem montażu należy zebrać wymagane narzędzia i części. Przeczytaj i postępuj zgodnie z instrukcją dostarczoną wraz częściami.

Potrzebne narzędzia

- Phillips screwdriver
- Nożyczki
- Ołówek
- Wiertarka akumulatorowa i wiertło 1/8 cala

Parts supplied

Z klimatyzatorem przenośnym dostarczone następujące części.

Część	Opis części	Ilość
	A. Uszczelka piankowa	1 szt.
	B. Łącznik	1 szt.
	C. Elastyczny waz wylotowy	1 szt.
	D. Adapter wylotu okiennego	1 szt.
	E. Nity / kołki	4 szt.
	F. Wkręty	4 szt.
	G. Wspornik blokady okna	2 szt.
	H. Zewnętrzna część suwaka z otworem wentylacyjnym	1 szt.
	I. Wewnętrzna część suwaka-krótka	1 szt.
	J. Wewnętrzna część suwaka	1 szt.
	K. Zewnętrzna część suwaka	1 szt.
	L. Uszczelka piankowa długa	2 szt.
	M. Uszczelka piankowa krótka	2 szt.
	N. Wąż spustowy (modele z pompą ciepła)	1 szt.
	O. Zacisk węża spustowego (modele z pompą ciepła)	1 szt.
	P. zdalnego sterowania	1 szt.
	Q. Standardowe baterie AAA (1,5 V)	2 szt.

Uwaga

Nie zawiera rtęci SUPER HEAVY DUTY RO3 UM-4 rozmiar AAA 1,5 V Najlepiej wykozystaj przed koncem daty waznosci (rok-miesiac)

Nie mieszaaj ze soba starych i nowych baterii.
Nie mieszaaj ze soba róznych typów baterii: alkaicznych, standardowych (węglowo-cynkowych) oraz akumulatorów (niklowo-kadmowych)

Uwaga na połknienie
W przypadku połknienia przez dziecko bateria może spowodować uduszenie

Jednorazowych baterii nie można ponownie ładować

Zużyte baterie należy wyjąć z urządzenia

NIE WRZUCAJ BATERII DO OGNIA PONIEWAŻ MOGĄ WYBUCHNĄĆ ALBO WYCIEC

WSKAZÓWKI DOTYCZĄCE BEZPIECZEŃSTWA

Twoje bezpieczeństwo i bezpieczeństwo innych są bardzo ważne.

W niniejszej instrukcji i na klimatyzatorze umieszczonych jest szereg ważnych komunikatów dotyczących bezpieczeństwa. Należy zawsze przeczytać i przestrzegać wszystkich zasad bezpieczeństwa.



To jest symbol ostrzeżenia o niebezpieczeństwie.

Ten symbol ostrzega o potencjalnych zagrożeniach, które mogą spowodować śmierć lub obrażenia ciała.

Wszystkie komunikaty dotyczące bezpieczeństwa zawierają symbol ostrzeżenia o niebezpieczeństwie oraz słowo „NIEBEZPIECZEŃSTWO” lub „OSTRZEŻENIE”.

Znaczenie tych słów jest następujące:



NIEBEZPIECZEŃSTWO

Nieprzestrzeganie podanych instrukcji grozi śmiercią lub poważnymi obrażeniami ciała.



OSTRZEŻENIE

Nieprzestrzeganie podanych instrukcji może grozić śmiercią lub poważnymi obrażeniami ciała.

Wszystkie komunikaty dotyczące bezpieczeństwa informują o potencjalnym zagrożeniu, podpowiadają jak zmniejszyć ryzyko odniesienia obrażeń, wskazują konsekwencje nie przestrzegania instrukcji.

WAŻNE WSKAZÓWKI DOTYCZĄCE BEZPIECZEŃSTWA: Aby zmniejszyć ryzyko pożaru, porażenia prądem

elektrycznym lub obrażeń ciała podczas korzystania z klimatyzatora, należy przestrzegać poniższych środków ostrożności:

- Podłącz wtyczkę do uziemionego gniazda wtykowego.
- Nie używaj przedłużacza.
- Nie usuwaj bolca uziemiającego.
- Odłącz klimatyzator od zasilania przed serwisowaniem.
- Nie używaj adaptera.
- Do przenoszenia i montażu klimatyzatora potrzeba co najmniej dwóch osób..

USUWANIE URZĄDZENIA

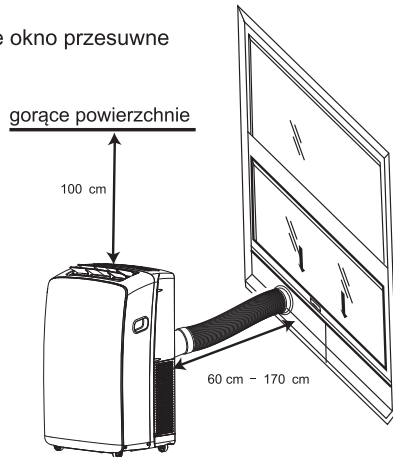
- Przed usunięciem urządzenia należy wyjąć z niego baterie i usunąć w prawidłowy sposób ze względu na recykling.
- W przypadku konieczności utylizacji urządzenia skonsultuj się z naszym sprzedawcą. Przy nieprawidłowym usuwaniu rur może dojść do wycieku czynnika chłodniczego i jego kontakt ze skórą, powodując obrażenia. Uwalnianie czynnika chłodniczego do atmosfery jest również szkodliwe dla środowiska. Prosimy o recykling lub utylizację materiału opakowaniowego produktu w sposób przyjazny dla środowiska.
- Nigdy nie należy przechowywać ani przewozić klimatyzatora do góry nogami lub na boku, aby uniknąć uszkodzenia sprężarki.
- Urządzenie nie jest przeznaczone do użytku przez małe dzieci lub osoby niedołążne bez nadzoru. Należy pilnować, aby dzieci nie bawiły się urządzeniem.

Wymagania dotyczące lokalizacji

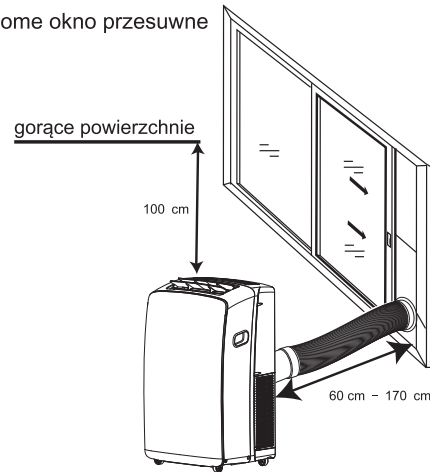
UWAGI:

- Elastyczny wąż wylotowy umożliwi umieszczenie klimatyzatora w odległości od 60 cm do 170 cm od okna lub drzwi. W przypadku klimatyzatorów z dodatkowymi grzałkami minimalny odstęp klimatyzatora od rozgrzanych powierzchni mogących spowodować zapłon wynosi 100 cm.
- Przenośne klimatyzatory służą do pomocniczego chłodzenia miejsc w pomieszczeniu.

Pionowe okno przesuwne



Poziome okno przesuwne



UWAGI:

- Aby zapewnić odpowiednią wentylację, zachowaj wymaganą odległość wylotu powietrza powrotnego od ściany lub innych przeszkód równą co najmniej 60 cm.
- Nie zasłaniać wylotu powietrza.
- Zapewnić swobodny dostęp do gniazda elektrycznego z uziemieniem.

Środki ostrożności

⚠ OSTRZEŻENIE

Niebezpieczeństwo porażenia prądem

Podłącz wtyczkę do uziemionego gniazda wtykowego.

Nie usuwaj bolca uziemiającego.

Nie używaj adaptera.

Nie używaj przedłużacza. Nieprzestrzeganie tych zaleceń może skutkować śmiercią pożarem, lub porażeniem prądem elektrycznym.

- Klimatyzator powinien być podłączony do uziemionego gniazda instalacji o napięciu 220-240 V, 50 Hz, 20 A z bezpiecznikiem.
- Zaleca się użycie bezpiecznika zwłocznego lub wyłącznika automatycznego.
- Instalacja elektryczna musi być zgodna z obowiązującymi przepisami elektrycznymi oraz zostać wykonana przez wykwalifikowanego elektryka

INSTRUKCJE MONTAŻU

Rozpakowywanie klimatyzatora

⚠ OSTRZEŻENIE

Ryzyko związane z nadmiernym ciężarem

Do przenoszenia i montażu klimatyzatora potrzeba co najmniej dwóch osób. Niezastosowanie się do tego zalecenia może spowodować obrażenia pleców lub inne obrażenia.

- Do usuwania taśmy lub kleju nie używać ostrych narzędzi, alkoholu, łatwopalnych płynów ani ściernych środków czyszczących. Te produkty mogą uszkodzić powierzchnię klimatyzatora.
- Delikatnie obchodzić się z klimatyzatorem

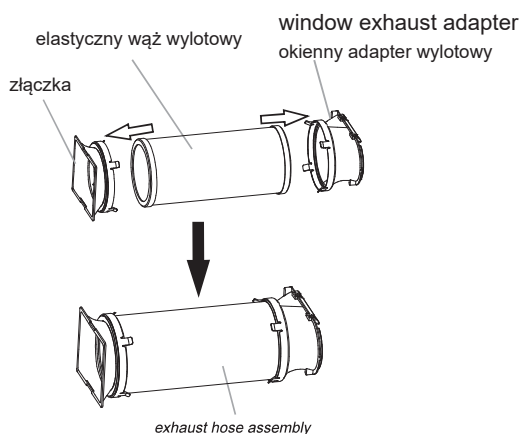
Usuwanie materiałów opakowaniowych

- Usunąć i poddać recyklingowi materiały opakowaniowe.
- Przed włączeniem klimatyzatora należy usunąć z jego powierzchni wszelkie pozostałości taśmy montażowej i kleju. Wetrzeć palcami niewielką ilość mydła w płynie w warstwę kleju. Zetrzeć szmatką zwilżoną ciepłą wodą i wysuszyć.

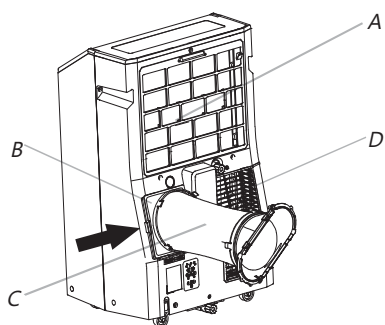
Montaż klimatyzatora (w oknie)

Montaż węża wylotowego i łącznika okiennego

1. Ustaw klimatyzator w wybranym miejscu (zobacz wymagania dotyczące lokalizacji)
2. Wciśnij złączkę i okienny adapter wylotowy do elastycznego węża wylotowego. Zarówno złączka jak i okienny adapter wylotowy mają zintegrowane zaciski, które zatrzaszkują się na wężu.



3. Włóż zaślepkę w szczelinę z tyłu klimatyzatora
4. Przesuń w dół aby zablokować wąż na miejscu

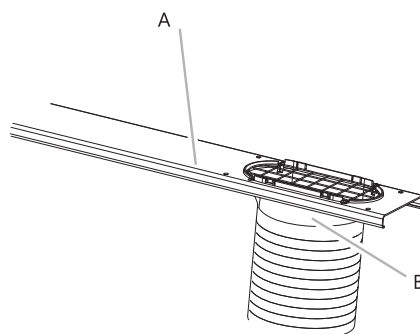


- A. Wlot powietrza do parownika
B. Zaślepka łącznika
C. Elastyczny wąż wylotowy
D. Wlot powietrza do skraplacza

Montaż w oknie

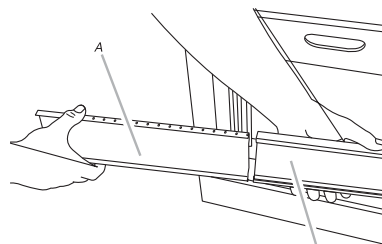
Zestaw do montażu okiennego pasuje do większości standardowych okien pionowych i poziomych. Przenieś klimatyzator w żądane położenie. Patrz punkt „Wymagania dotyczące lokalizacji”.

1. Zamocuj łącznik do otworu okiennego wentylacyjnym w panelu zewnętrznym.



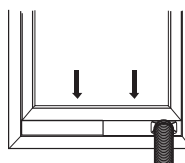
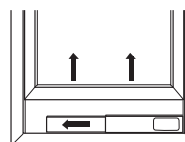
- A. Zewnętrzny panel z otworem
B. Łącznik do otworu okiennego

2. Otwórz okno.
3. Zmierz otwór okienny.
 - Jeśli otwór okna jest zbyt wąski dla zestawu paneli przesuwanych, wyjmij wewnętrzny panel przesuwany.

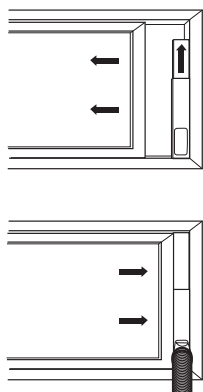


- A. Wewnętrzny panel przesuwany
B. Zewnętrzny panel przesuwany
- Za pomocą piły przytnij wewnętrzny panel na długość pasującą do szerokości otworu okiennego.
 - Wsuń wewnętrzny panel do zewnętrznego panelu zestawu montażowego.

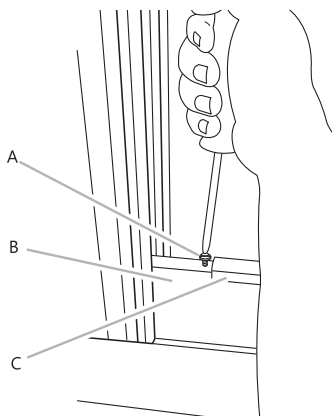
4. Umieść zestaw montażowy w oknie, rozsuwając go, aby dopasować go do szerokości okna. Upewnij się, że osłona od deszczu skierowana jest na zewnątrz okna.



UWAGA: W przypadku montażu w oknie poziomym zestaw montażowy może być zamontowany pionowo, z otworem wentylacyjnym znajdującym się u dołu.

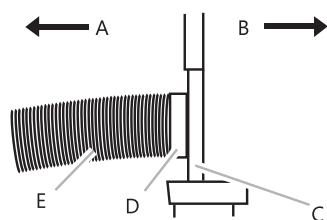


5. Wkręć wkręt 1/2" (dostarczane 2 szt.) w otwór w wewnętrznym panelu przesuwym, który znajduje się bliżej końca panelu zewnętrznego.



- A. Wkręt 1/2" (dostarczane 2 szt.)
- B. Wewnętrzny panel przesuwny
- C. Zewnętrzny panel przesuwny

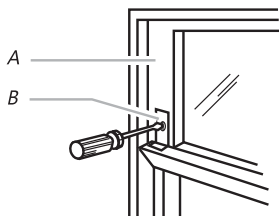
6. Opuść okno do zetknięcia z zestawem montażowym w celu zamknięcia.



- A. Do klimatyzatora przenośnego
- B. Do zewnątrz
- C. Zewnętrzny panel z otworem
- D. Łącznik do otworu okiennego
- E. Elastyczny wąż wylotowy

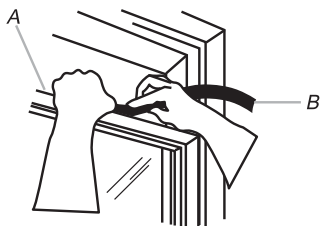
Czynności końcowe

1. Umieść kątownik do blokady okna na górnej powierzchni dolnego skrzydła okiennego tak, aby przylegał do górnego skrzydła okna.
2. Użyj wiertła 1/8", aby wywiercić otwór pod wkręt przez otwór wykonany w kątowniku.
3. Przymocuj kątownik do skrzydła okiennego za pomocą wkrętu do drewna (dostarczane 4 szt), aby zablokować okno.



A. Górne skrzydło okna
B. Kątownik blokady okna

4. Wciśnij uszczelkę piankową pomiędzy ramę dolnego skrzydła okiennego i szybę górnego skrzydła.



A. Rama dolnego skrzydła okiennego
B. Uszczelka piankowa

⚠ OSTRZEŻENIE



Niebezpieczeństwo porażenia prądem

Podłącz wtyczkę do uziemionego gniazda wtykowego.

Nie usuwaj bolca uziemiającego.

Nie używaj adaptera.

Nie używaj przedłużacza.

Nieprzestrzeganie tych zaleceń może skutkować śmiercią pożarem, lub porażeniem prądem elektrycznym.

5. Podłącz wtyczkę do uziemionego gniazda wtykowego.

OBSŁUGA KLIMATYZATORA

Prawidłowa obsługa klimatyzatora przenośnego pozwoli uzyskać optymalną pracę urządzenia.

Niniejszy rozdział objaśnia prawidłową obsługę klimatyzatora.

WAŻNA INFORMACJA:

- Wyświetlacz klimatyzatora pokazuje nastawę temperatury.
- Tylko w trybie czuwania wyświetlacz pokazuje temperaturę pomieszczenia.
- Przy zmianie trybu działania podczas pracy klimatyzatora, sprężarka zatrzyma się na 3 do 5 minut przed ponownym uruchomieniem urządzenia.

- Jeśli w tym czasie zostanie naciśnięty jakiś przycisk, sprężarka nie uruchomi się ponownie przez kolejne 3 do 5 minut.
- W trybie chłodzenia lub osuszania sprężarka i wentylator skraplacza zostaną wyłączone, gdy temperatura w pomieszczeniu osiągnie ustawioną temperaturę.

UWAGA: W przypadku awarii zasilania, klimatyzator po przywróceniu zasilania będzie pracować z poprzednimi ustawieniami

◆ Warunki pracy

Chłodzenie	Optymalna temperatura pokojowa do pracy to 21°C~35°C
Grzanie	Optymalna temperatura pokojowa do pracy to 7°C~20°C
Osuszanie	Optymalna temperatura pokojowa do pracy to 19°C~35°C

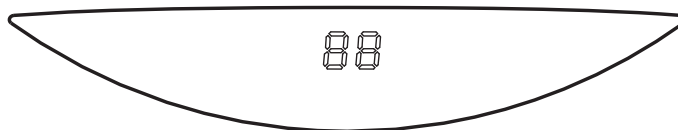
W przypadku niektórych produktów dozwolone są temperatury poza podanym zakresem. Odnośnie każdego przypadku skontaktuj się ze sprzedawcą. Jeśli klimatyzator pracuje przed dłuższy czas w trybie chłodzenia lub osuszania przy otwartych drzwiach lub oknach, a wilgotność względna powietrza przekracza 80%, z wylotu powietrza może kapać woda.

Uruchamianie klimatyzatora



UWAGA: symbole przy przyciskach mogą się różnić w zależności od modelu, ale funkcje pozostają takie same.

Wyświetlacz przedni



Uwaga: rysunki zawarte w instrukcji mogą różnić się od rzeczywistego wyglądu zakupionego urządzenia i mają charakter poglądowy.

1. Wybierz tryb pracy. Patrz punkt „Wybór trybu pracy”.
2. Wybierz prędkość nawiewu. Patrz punkt „Ustawianie prędkości nawiewu”.
3. Ustaw temperaturę. Patrz punkt „Nastawa temperatury”.
4. Naciśnij przycisk POWER, aby uruchomić klimatyzator.



POWER

UWAGA:

Po włączeniu klimatyzator będzie pracował z poprzednim zapamiętanym ustawieniem.

W zbiorniku wewnątrz urządzenia będzie gromadzić się woda, gdy urządzenie pracuje w BARDZO WILGOTNYM powietrzu. Jeśli zbiornik na wodę będzie pełny, klimatyzator zostanie wyłączony. Na ekranie zostanie wyświetlony komunikat „E5”, informujący o konieczności opróżnienia wewnętrznego zbiornika.

Wybór trybu pracy

Tryby pracy:

1. Naciśnij kolejno przycisk MODE, aż wyświetli się migająca ikonażądanego ustawienia.



MODE

2. Wybierz tryb Chłodzenie (COOL), Osuszanie (DRY), Wentylacja (FAN) lub Grzanie (HEAT).

Chłodzenie - służy do schładzania powietrza w pomieszczeniu. Naciśnij przycisk FAN, aby wybrać wysoką (HIGH), średnią (MED) lub niską (LOW) prędkość nawiewu. Naciśnij przycisk PLUS lub MINUS, aby dostosować temperaturę.



COOL

Osuszanie - służy do osuszania powietrza w pomieszczeniu. Klimatyzator automatycznie dobiera temperaturę. Wentylator pracuje tylko na niskich obrotach. UWAGA: trybu Osuszania nie należy używać do chłodzenia pomieszczenia.



DRY

Wentylacja - w trybie tym pracuje tylko wentylator. Naciśnij przycisk FAN, aby wybrać wysoką (HIGH), średnią (MED) lub niską (LOW) prędkość nawiewu



FAN

Grzanie - służy do ogrzewania powietrza w pomieszczeniu. Naciśnij przycisk FAN, aby wybrać wysoką (HIGH), średnią (MED) lub niską (LOW) prędkość nawiewu. Naciśnij przycisk PLUS lub MINUS, aby dostosować temperaturę.

UWAGA: Tryb grzania NIE jest dostępny w klimatyzatorach wyposażonych tylko w funkcję chłodzenia.



HEAT

Ustawianie prędkości nawiewu

1. Naciśnij przycisk FAN, aby wybrać żądaną prędkość nawiewu.



FAN

2. Wybierz ustawienie HIGH, MED lub LOW.

AUTO-klimatyzator automatycznie dobiera prędkość nawiewu w zależności od aktualnej temperatury w pomieszczeniu i nastawy temperatury.

HIGH - maksymalna prędkość nawiewu



HIGH

MED - normalna prędkość nawiewu



MED

LOW - minimalna prędkość nawiewu



LOW

Nastawa temperatury

Naciśnij przycisk PLUS, aby zwiększyć temperaturę. Naciśnij jeden raz przycisk PLUS, aby zwiększyć ustawioną temperaturę o 1°C.



Naciśnij przycisk MINUS, aby zmniejszyć temperaturę. Naciśnij jeden raz przycisk MINUS, aby zmniejszyć ustawioną temperaturę o 1°C.



UWAGA:

W trybie Chłodzenia temperaturę można ustawić w zakresie od 16°C do 30°C.

W trybie Wentylacja nie jest możliwe ustawianie temperatury.

Tryb SILENT

Naciśnij przycisk SILENT, aby uruchomić tryb cichej pracy.

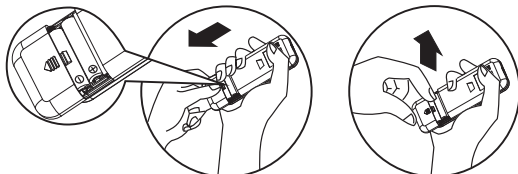


Gdy na panelu sterowania zaświeci się kontrolka SILENT, tryb jest włączony.

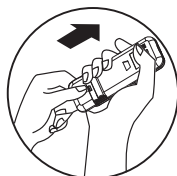
Korzystanie z pilota zdalnego sterowania

Wkładanie baterii

1. Zdejmij pokrywę gniazda baterii, przesuwając ją w kierunku wskazanym strzałką.



2. Włóż nowe baterie, upewniając się, że bieguny (+) i (-) baterii są zwrócone w odpowiednim kierunku.
3. Załóż ponownie pokrywę gniazda baterii.

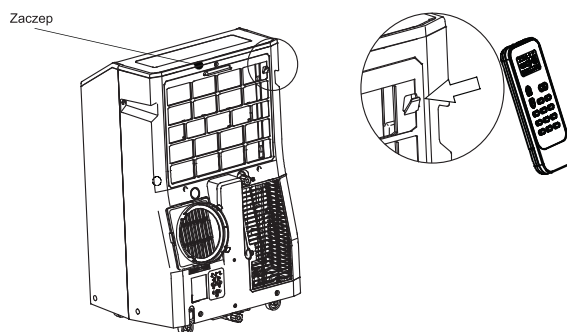


UWAGA:

- W pilocie stosowane są 2 baterie typu LR03 AAA (1,5 volt). Nie używać akumulatorów. Baterie powinny być wymienione na nowe kiedy wyświetlacz zaczyna słabiej świecić lub po upływie 6 miesięcy.
- Ponowne założenie baterii po wyjęciu starych powoduje utratę ustawień, a zegar systemowy zostanie wyzerowany.

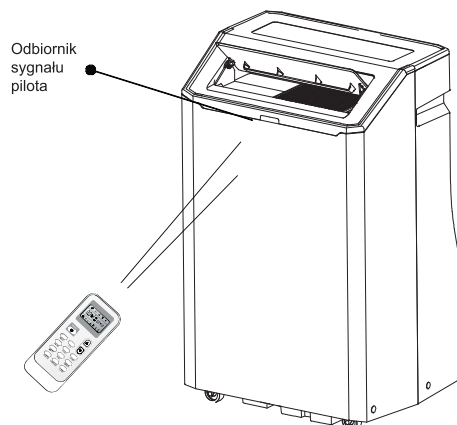
Zaczep mocujący

Zaczep znajdujący się na tylnej ścianie urządzenia może być używany do przechowywania pilota zdalnego sterowania.



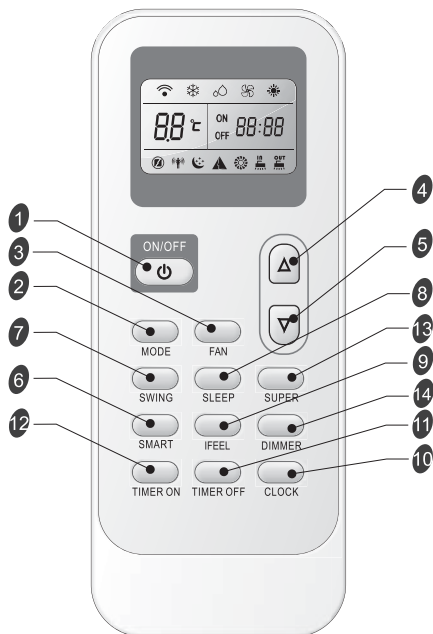
Sposób używania

W celu obsługi klimatyzatora pilot zdalnego sterowania należy skierować na odbiornik sygnału znajdujący się w klimatyzatorze. Pilot umożliwia obsługę klimatyzatora z odległości do 7 metrów, przy warunku skierowania go na odbiornik sygnału klimatyzatora.



Sterowanie zdalne

UWAGA: Pilot może różnić się wyglądem od pokazanego na zdjęciu.



Przyciski i ich znaczenie

1	ON/OFF	Wł/Wył.	8	SLEEP	Tryb SLEEP
2	MODE	Tryb pracy	9	IFEEL	Tryb IFEEL
3	FAN	Wentylator	10	CLOCK	Zegar systemowy
4	▲	W górę	11	TIMER OFF	Programator czasu wył.
5	▼	W dół	12	TIMER ON	Programator czasu wł.
6	SMART	Tryb SMART	13	SUPER	Tryb SUPER
7	SWING	Ruch wahadłowy zaluzji	14	DIMMER	Wygaszanie ekranu

Ikony sygnalizacyjne

Ikony sygnalizacyjne na wyświetlaczu:

	Kontrolka trybu Chłodzenie		Automatyczna prędkość nawiewu
	Kontrolka trybu Osuszanie		Wysoka prędkość nawiewu
	Kontrolka trybu Wentylacja		Średnia prędkość nawiewu
	Kontrolka trybu Grzanie		Niska prędkość nawiewu

	Kontrolka smart		Ikona transmisji sygnału
	Kontrolka Sleep	ON	Wyświetlanie czasu programatora
	Kontrolka Ifeel	OFF	Wyświetlanie aktualnego czasu
	Kontrolka Super	8.8 °C	Wyświetlanie temperatury

Włączanie lub wyłączanie zasilania

Nacisnąć przycisk ON/OFF, aby włączyć lub wyłączyć urządzenie



- UWAGA:**
- Zmiana trybu podczas pracy. Czasami urządzenie nie odpowiada od razu. Odczekać 3 minuty.
 - Przed ponownym uruchomieniem urządzenia odczekać 3 minuty.

Tryb pracy

1. Naciskaj kolejno przycisk MODE, aż wyświetli się migająca ikona żądanego ustawienia.



2. Wybierz tryb Chłodzenie, Osuszanie, Wentylacja lub Grzanie.

- Chłodzenie - służy do schładzania powietrza w pomieszczeniu. Naciśnij przycisk FAN, aby wybrać prędkość nawiewu AUTO, WYSOKĄ, ŚREDNIĄ lub NISKĄ. Naciśnij przycisk W GÓRĘ lub W DÓŁ, aby dostosować temperaturę.



■ Osuszanie - służy do osuszania powietrza w pomieszczeniu. Klimatyzator automatycznie dobiera temperaturę. Wentylator pracuje tylko na niskich obrotach.

UWAGA: Osuszania nie należy używać do chłodzenia pomieszczenia. W przypadku dyskomfortu możliwe jest zwiększenie lub zmniejszenie temperatury za pomocą pilota o maks. 2°C



■ Wentylacja - w trybie tym pracuje tylko wentylator. Naciśnij przycisk FAN, aby ustawić prędkość nawiewu.



UWAGA: W trybie Wentylacja nie jest możliwe wybranie Automatycznej prędkości nawiewu.

■ Grzanie - służy do ogrzewania powietrza w pomieszczeniu. Naciśnij przycisk FAN, aby ustawić prędkość nawiewu. Naciśnij przycisk W GÓRĘ lub W DÓŁ, aby dostosować temperaturę.



Tryb pracy SMART

Naciśnij przycisk SMART. Tryb Smart (działanie według logiki rozmytej) zostanie bezpośrednio aktywowany, niezależnie od tego, czy urządzenie jest włączone, czy wyłączone. W tym trybie temperatura i prędkość wentylatora są ustawiane automatycznie w oparciu o rzeczywistą temperaturę pomieszczenia. Aby anulować tryb Smart, naciśnij przycisk MODE.



Tryb pracy i temperatura ustawiane w oparciu o temp. pomieszczenia.

Modele z funkcją grzania

Temp. pomieszczenia	Tryb pracy	Temp. zadana
21°C lub poniżej	GRZANIE	22°C
21-23°C	WENTYLACJA	
23-26°C	OSUSZANIE	Temperatura w pomieszczeniu spada o 2°C po pracy przez 3 minuty
Powyżej 26°C	CHŁODZENIE	26°C

Modele tylko z funkcją chłodzenia

Temp. pomieszczenia	Tryb pracy	Temp. zadana
23°C lub poniżej	WENTYLACJA	
23-26°C	OSUSZANIE	Temperatura w pomieszczeniu spada o 2°C po pracy przez 3 minuty
Powyżej 26°C	CHŁODZENIE	26°C

UWAGA: w trybie SMART temperatura, prędkość oraz kierunek nawiewu są regulowane automatycznie. W przypadku uczucia dyskomfortu możliwe jest zwiększenie lub zmniejszenie temperatury za pomocą pilota o maks. 2°C

Możliwe czynności w trybie ▲		
Odczucie	Przyciski	Nastawa
Brak komfortu z powodu zbyt małej ilości nawiewu powietrza	FAN	Każde naciśnięcie przycisku powoduje zmianę prędkości nawiewu powietrza w kolejności: Wysoka – Średnia – Niska.
Brak komfortu z powodu złego kierunku nawiewu powietrza	SWING	Każde naciśnięcie przycisku powoduje zmianę kierunku nawiewu.

Tryb pracy SUPER

Przycisk SUPER służy do uruchamiania lub zatrzymywania trybu szybkiego chłodzenia lub grzania.

1. Naciśnij przycisk SUPER. Klimatyzator automatycznie ustawia wysoką prędkość nawiewu oraz temperaturę do 16°C. W trybie szybkiego grzania klimatyzator pracuje z automatyczną prędkością nawiewu i automatyczną zmianą nastawy temperatury do maks. 30°C.



2. Aby wyłączyć tryb SUPER, naciśnij dowolny przycisk na pilocie lub panelu kontrolnym z wyjątkiem przycisków Timer On, Timer Off, Clock, Dimmer, Ifeel i Swing.

UWAGA:

- W trybie SUPER możliwe jest ustawianie kierunku nawiewu powietrza oraz programatora.
- W trybie SUPER nie jest dostępny tryb SMART.
- W trybie SMART przycisk SUPER jest nieaktywny.

Szybkie chłodzenie



Szybkie grzanie



Ustawianie prędkości nawiewu

Naciskaj przycisk FAN, aby wybrać żądaną prędkość nawiewu.



- Auto - klimatyzator automatycznie dobiera prędkość nawiewu w zależności od aktualnej temperatury w pomieszczeniu i nastawy temperatury.

UWAGA: w trybie Wentylacja nie jest możliwe wybranie automatycznej prędkości nawiewu.



- Wysoka - maksymalna prędkość nawiewu



- Średnia - normalna prędkość nawiewu



- Niska - minimalna prędkość nawiewu



Nastawa temperatury

- Naciśnij przycisk DO GÓRY, aby zwiększyć temperaturę. Naciśnij jeden raz przycisk DO GÓRY, aby zwiększyć ustawioną temperaturę o 1°C



- Naciśnij przycisk W DÓŁ, aby zmniejszyć temperaturę. Naciśnij jeden raz przycisk W DÓŁ, aby zmniejszyć ustawioną temperaturę o 1°C.



UWAGI:

- W trybie chłodzenia i grzania temperaturę można ustawić w zakresie od 16C do 30C.
- W trybie Wentylacja nie jest możliwe ustawianie temperatury.

Tryb na sen SLEEP

Tryb snu SLEEP można ustawić w trybie pracy CHŁODZENIE, GRZANIE lub OSUSZANIE. Tryb ten pozwala na zapewnienie najbardziej komfortowych warunków do snu.



UWAGA:

- Urządzenie wyłączy się automatycznie po 8 godzinach pracy.
- Automatycznie ustawiana jest minimalna prędkość nawiewu.
- W trybie Chłodzenie, jeśli aktualna temperatura w pomieszczeniu jest niższa niż 26°C, temperatura zostanie automatycznie zwiększona o 1°C w ciągu pierwszej godziny po włączeniu trybu SLEEP, a następnie będzie utrzymywana na stałym poziomie.
Jeśli temperatura w pomieszczeniu wynosi 26°C lub więcej, nastawa temperatura nie zostanie zmieniona.
- W trybie grzania ustawiona temperatura będzie ciągle zmniejszana o maksymalnie 3°C przez okres 3 godzin, a następnie będzie utrzymywana na stałym poziomie.

1. Naciśnij przycisk MODE, aby wybrać tryb Chłodzenie, Grzanie lub Osuszanie.

UWAGA: Przy wybranym trybie Wentylacja lub SMART nie jest możliwy wybór trybu SLEEP.

2. Naciśnij przycisk W GÓRĘ lub W DÓŁ, aby ustawić żądaną temperaturę.
3. Naciśnij przycisk SLEEP. Po 5 sekundach kontrolki na wyświetlaczu panelu sterowania zgasną.

UWAGA:

Podczas trybu SLEEP możliwe jest regulowanie temperatury i kierunku nawiewu. Automatycznie ustawiana jest niska prędkość nawiewu. Po 5 sekundach kontrolki na wyświetlaczu panelu sterowania ponownie zgasną.

4. Aby wyłączyć tryb SLEEP, naciśnij przycisk SLEEP, MODE, FAN, ON/OFF, SUPER lub odczekaj 8 godzin, aż tryb SLEEP wyłączy się automatycznie.

UWAGA:

Po wyłączeniu trybu SLEEP klimatyzator powróci do poprzednich ustawień pracy.

Tryb pracy I Feel

W tym trybie włączany jest czujnik temperatury umieszczony w pilocie zdalnego sterowania.

Czujnik mierzy temperaturę pomieszczenia i przesyła ją do jednostki wewnętrznej, która odpowiednio dostosowuje temperaturę, aby zapewnić maksymalny komfort.



UWAGA:

Uruchamia lub zatrzymuje tryb pracy IFEEL. Naciśnij przycisk jeden raz, tryb IFEEL zostanie uruchomiony. Naciśnij ponownie przycisk, tryb IFEEL zostanie wyłączony. Jeśli funkcji IFEEL nie można wyłączyć, spróbuj nacisnąć ten przycisk i przytrzymać przez około 5 sekund. Zaleca się umieszczenie pilota w miejscu, w którym jednostka wewnętrzna łatwo odbiera sygnał. Zaleca się wyłączenie trybu IFEEL po zatrzymywaniu klimatyzatora, w celu oszczędzenia energii.



Wygaszanie wyświetlacza

Naciśnij przycisk DIMMER, aby wygasić wyświetlacz pilota i klimatyzatora.



UWAGA:

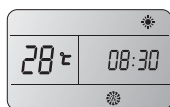
- Wyświetlacz zostanie włączony ponownie po naciśnięciu dowolnego przycisku.

Funkcja zegara

1. Przycisk CLOCK umożliwia ustawienie lub zmianę czasu zegara systemowego urządzenia.



2. Naciśnij przycisk W GÓRĘ lub W DÓŁ, aby wybrać aktualną godzinę.



3. Naciśnij ponownie przycisk CLOCK, aby ustawić aktualny czas zegara.

Programator czasu włączenia / wyłączenia

Programator służy do ustawiania żądanej godziny włączenia klimatyzatora, w celu np. zapewnienia komfortowej temperatury pomieszczenia po powrocie do domu lub wyłączenia klimatyzatora w nocy, aby zapewnić optymalne warunki podczas snu.

UWAGA: aby używać programatora, należy najpierw ustawić zegar systemowy urządzenia przyciskiem CLOCK.

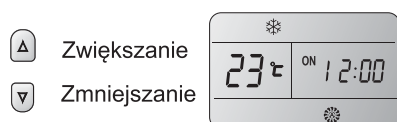
Ustawianie programatora WŁ

Przycisk TIMER ON służy do ustawiania automatycznego włączenia urządzenia o wybranej godzinie.

1. Naciśnij przycisk TIMER ON. Na wyświetlaczu zacznie migać „ON 12:00”.



2. Naciśnij przycisk W GÓRĘ lub W DÓŁ, aby nastawić żądaną godzinę włączenia urządzenia.



- Naciśnij raz przycisk W GÓRĘ lub W DÓŁ, aby zwiększyć lub zmniejszyć ustawienie czasu o 1 minutę.
- Naciśnij i przytrzymaj przycisk W GÓRĘ lub W DÓŁ przez 2 sekundy, aby zwiększyć lub zmniejszyć ustawienie czasu o 10 minut.
- Naciśnij i przytrzymaj przycisk W GÓRĘ lub W DÓŁ przez dłuższy czas, aby zwiększyć lub zmniejszyć ustawienie czasu o 1 godzinę.

3. Po wyświetleniu się żądanej godziny na wyświetlaczu naciśnij przycisk TIMER ON w celu zatwierdzenia.

Rozlegnie się krótki sygnał dźwiękowy, kontrolka „ON” na wyświetlaczu przestaje migać.

Na wyświetlaczu klimatyzatora zapali się wskaźnik programatora.

4. Na wyświetlaczu będzie pokazywana przez 5 sekund nastawa czasu programatora, a następnie zostanie wyświetlony aktualny czas zegara systemowego.

Anulowanie programatora czasu włączenia

Naciśnij ponownie przycisk TIMER ON, rozlegnie się krótki sygnał dźwiękowy, wskaźnik „ON” na wyświetlaczu gaśnie a ustawiony czas włączenia jest anulowany.

UWAGA: w podobny sposób za pomocą przycisku TIMER OFF możliwe jest ustawienie godziny, o której urządzenie zostanie automatycznie wyłączone.



Ruch wahadłowy żaluzji

Naciśnij SWING jeden raz, aby zmienić kierunek nawiewu w pionie. Naciśnij przycisk ponownie, aby zatrzymać żaluzje nawiewu powietrza w żądanym kierunku przepływu powietrza.



UWAGA:

- Po włączeniu urządzenia automatycznie ustawiany jest poprzedni kierunek nawiewu powietrza.
- Kierunek nawiewu można również dostosować do własnych potrzeb, naciskając przycisk SWING.
- Zabronione jest ręczne przesuwanie żaluzji pionowych, ponieważ może to spowodować nieprawidłowe działanie klimatyzatora. Jeśli do tego dojdzie, wyłącz klimatyzator i odłącz zasilanie, a następnie podłącz zasilanie od nowa.

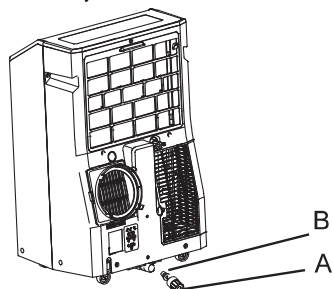
Normalne odgłosy pracy

Podczas normalnej pracy klimatyzatora mogą być słyszalne następujące odgłosy:

- Szum przepływającego powietrza z wentylatora.
- Kliknięcia z układu załączania cykli termostatu.
- Drgania lub hałas pochodzący od ścian lub okna wynikający z ich nieodpowiedniej konstrukcji.
- Dźwięki o wysokim tonie lub pulsacyjne spowodowane włączeniem i wyłączeniem sprężarki.

KONSERWACJA KLIMATYZATORA

Opróżnianie klimatyzatora



A. Osłona korka spustowego B. Główny korek spustowy

OSTRZEŻENIE

Ryzyko związane z nadmiernym ciężarem

Do przenoszenia i montażu klimatyzatora potrzeba co najmniej dwóch osób. Niezastosowanie się do tego zalecenia może spowodować obrażenia pleców lub inne obrażenia.

1. Odłącz klimatyzator od prądu lub odłącz zasilanie w instalacji.
2. Przenieś klimatyzator do miejsca opróżniania lub na zewnątrz.

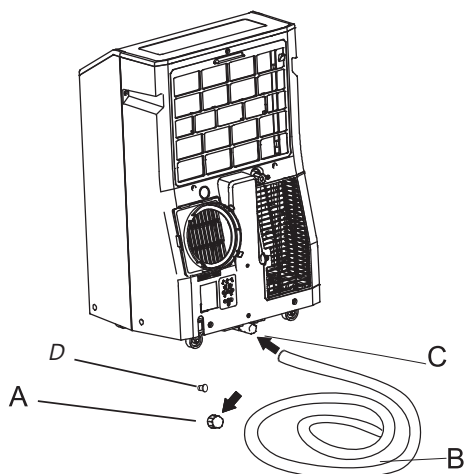
UWAGA: Aby uniknąć wycieku wody z urządzenia, przesuważ klimatyzator powoli i utrzymuj go w poziomie.

3. Zdejmij osłonę korka spustowego i wykręć korek spustowy.
4. Opróżnij całkowicie urządzenie z wody przez otwór spustowy.

UWAGA: jeśli klimatyzator będzie przechowywany po zakończeniu opróżniania, zobacz punkt „Przechowywanie po wyłączeniu z użytkowania”.

5. Wkręć ponownie korek spustowy w główny otwór spustowy.
6. Załóż z powrotem osłonę korka spustowego.
7. Ustaw klimatyzator w położeniu roboczym.
8. Podłącz wtyczkę zasilania klimatyzatora lub ponownie przywróć zasilanie klimatyzatora.

Opróżnianie klimatyzatora (modele z funkcją grzania)



A. Osłona głównego korka spustowego
B. Wąż spustowy
C. Główny otwór spustowy
D. Główny korek spustowy

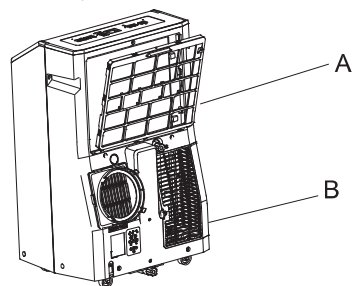
OSTRZEŻENIE: podłącz wąż spustowy przy stosowaniu trybu grzania. W przeciwnym razie klimatyzator przestanie działać, gdy woda w zbiorniku osiągnie poziom ostrzegawczy.

1. Wykręć korka głównego otworu spustowego.
2. Zamocuj wąż spustowy do głównego otworu spustowego. Sprawdź, czy połączenie jest szczelne, bez wycieków.
3. Umieść drugi koniec węża spustowego w odpływie. Sprawdź, czy wąż leży płasko i znajduje się w odpływie. Upewnij się, że koniec węża, który prowadzi do odpływu, znajduje się niżej niż koniec węża, który jest podłączony do urządzenia. Wąż nie powinien być załamany ani ściśnięty.

Czyszczenie powierzchni zewnętrznych

1. Naciśnij przycisk ON/OFF, aby wyłączyć klimatyzator.
2. Odłącz klimatyzator od prądu lub odłącz zasilanie instalacji.
3. Wymyj filtr powietrza i wyczyść osobno. Zobacz punkt „Czyszczenie filtra powietrza”.
4. Przetrzyj zewnętrzne powierzchnie klimatyzatora miękką, wilgotną ściereczką.
5. Podłącz wtyczkę zasilania klimatyzatora lub ponownie przywróć zasilanie klimatyzatora.
6. Naciśnij przycisk ON/WYŁ, aby uruchomić klimatyzator.

Czyszczenie filtra powietrza



A. Osłona filtra wlotu powietrza do parownika
B. Osłona filtra wlotu powietrza do skraplacza

1. Naciśnij przycisk ON/OFF, aby wyłączyć klimatyzator.
2. Zdejmij osłonę filtra z tyłu klimatyzatora i wyjmij filtr.
3. Wykręć wkręt mocujący osłonę filtra wlotu powietrza do skraplacza i wyjmij filtr.
4. Wyczyść filtr odkurzaczem. Jeśli filtr jest bardzo brudny, umyj go w ciepłej wodzie z dodatkiem łagodnego detergentu.

UWAGA: Nie myj filtra w zmywarce ani nie używaj żadnych chemicznych środków czyszczących.

5. Wysusz całkowicie filtr przed ponownym założeniem, aby zapewnić jego maksymalną skuteczność.
6. Ponownie zamocuj filtr powietrza w osłonie filtra.
7. Zamontuj z powrotem osłonę filtra.
8. Naciśnij przycisk ON/OFF, aby uruchomić klimatyzator.

Przechowywanie po wyłączeniu z użytkowania

Jeśli klimatyzator nie będzie używany przez dłuższy czas:

1. Opróżnij całkowicie urządzenie z wody, patrz punkt „Opróżnianie klimatyzatora”. Zobacz punkt „Opróżnianie klimatyzatora”.
2. Uruchom klimatyzator ustawiony w trybie Wentylacja na około 12 godzin w celu wysuszenia klimatyzatora.
3. Odłącz klimatyzator od zasilania.

ROZWIĄZYWANIE PROBLEMÓW

Przed wezwaniem serwisu wypróbuj poniższe zalecenia, czy możesz samodzielnie rozwiązać problem.

Klimatyzator nie działa



OSTRZEŻENIE

Niebezpieczeństwo porażenia prądem

Podłącz wtyczkę do uziemionego gniazda wtykowego.

Nie usuwaj bolca uziemiającego.

Nie używaj adaptera.

Nie używaj przedłużacza.

Nieprzestrzeganie tych zaleceń może skutkować śmiercią, pożarem, lub porażeniem prądem elektrycznym.

- **Przewód zasilający jest odłączony.**
Podłącz wtyczkę do uziemionego gniazda wtykowego.
- **Używany bezpiecznik zwłoczny lub wyłącznik automatyczny ma nieprawidłowe parametry znamionowe.**
Wymień na bezpiecznik zwłoczny lub wyłącznik automatyczny o prawidłowych parametrach znamionowych.
- **Przepalił się bezpiecznik, lub zadziałał wyłącznik automatyczny instalacji domowej.**
Wymień bezpiecznik, lub ponownie włącz wyłącznik automatyczny.
- **Przycisk ON/OFF nie został naciśnięty.**
Naciśnij przycisk ON/OFF.
- **Awaria lokalnego źródła zasilania.**
Odczekaj na przywrócenie zasilania.

Klimatyzator powoduje przepalanie bezpieczników lub wyłączanie wyłącznika automatycznego

- **Zbyt wiele urządzeń elektrycznych jest podłączonych do tego samego obwodu zasilania.**
Odłącz lub przenieś urządzenia elektryczne wpięte do tego samego obwodu.
- **Próbujesz ponownie uruchomić klimatyzator zbyt wcześnie po wyłączeniu klimatyzatora.**
Odczekaj przynajmniej 3 minuty po wyłączeniu klimatyzatora przed jego ponownym uruchomieniem.
- **Zmieniłeś tryb pracy.**
Odczekaj przynajmniej 3 minuty po wyłączeniu klimatyzatora przed jego ponownym uruchomieniem.

Klimatyzator wydaje się pracować zbyt długo

- **Czy są otwarte drzwi lub okno??**
Zamykaj drzwi i okna
- **Aktualny klimatyzator zastąpił starszy model.**
Zastosowanie bardziej wydajnych podzespołów może powodować, że klimatyzator będzie działał dłużej niż starszy model, ale całkowite zużycie energii będzie mniejsze. Nowsze klimatyzatory nie emitują nawiewu zimnego powietrza, do którego możesz być przyzwyczajony w starszych modelach, ale nie jest to oznaką mniejszej wydajności chłodzenia lub efektywności. Sprawdź wskaźniki efektywności (EER) i wartości wydajności (w Btu/h) podane na etykiecie klimatyzatora.
- **Klimatyzator pracuje w pomieszczeniu z dużą liczbą osób, lub urządzeń generujących ciepło.**
Używaj wentylatorów wyciągowych podczas gotowania lub kąpieli i staraj się nie używać urządzeń generujących ciepło w najgorętszej porze dnia. Przenośne klimatyzatory służą do pomocniczego chłodzenia miejsc w pomieszczeniu. Może być wymagane użycie klimatyzatora o większej wydajności, w zależności od wielkości chłodzonego pomieszczenia.

Klimatyzator pracuje przez jakiś czas, lecz pomieszczenie nadal nie jest schłodzone

- **Ustawiona temperatura jest zbliżona do temperatury pokojowej.**
Zmniejsz nastawę temperatury. Zobacz punkt "OBSŁUGA KLIMATYZATORA".

Wyświetla się kod błędu

- **Jeśli urządzenie wyświetla kod błędu E5, zbiornik na wodę jest pełny.**
Opróżnij urządzenie z wody, patrz punkt „Opróżnianie klimatyzatora”. Po opróżnieniu klimatyzator można ponownie uruchomić.
- **Jeśli urządzenie wyświetla kod błędu E1/E2/E3/E6/E7/EA, skontaktuj się z działem obsługi klienta.**

Klimatyzator pracuje, ale nie chłodzi

- **Filtr jest zabrudzony lub zatkany zanieczyszczeniami.**
Wyczyść filtr.
- **Wylot powietrza jest zablokowany.**
Udrożnij wylot powietrza.
- **Ustawiona temperatura jest za wysoka.**
Zmniejsz nastawę temperatury.

Klimatyzator za często włącza się i wyłącza

- **Moc klimatyzatora nie jest odpowiednio dobrana do twojego pomieszczenia.**
Sprawdź wydajność chłodzenia Twojego przenośnego klimatyzatora powietrza.

Przenośne klimatyzatory służą do pomocniczego chłodzenia miejsc w pomieszczeniu.

- **Filtr jest zabrudzony lub zatkany zanieczyszczeniami.**
Wyczyść filtr.
- **W pomieszczeniu jest zbyt duża temperatura lub wilgoć z powodu gotowania, używania prysznic, itp.**

Użyj wentylatora, aby usunąć ciepło lub wilgoć z pomieszczenia. Staraj się nie używać urządzeń generujących ciepło podczas najgorętszej pory dnia.

- **Żaluzje są zablokowane.**
Zamontuj klimatyzator w miejscu, w którym żaluzje nie będą blokowane przez inne przedmioty, np. zasłony.

Hisense (Guangdong) Air Conditioning Co., Ltd.

No.8 Hisense Road, Advanced Manufacturing
Jiangsha Demonstration Park, Jiangmen City,
Guangdong Province, P.R.China

EMAIL: service@hisense.com

(These instructions shall also be available in an alternative
format, e.g. ask a copy from the dealers).

Version No. 4276675-01