

Read the Instructions carefully and Keep for Future Reference.

## SPECIFICATIONS

Power consumption: .....	220-240V-50Hz, 1400W
Output: .....	900W
Grill Heater: .....	1200W
Operating Frequency: .....	2450MHz
Outside Dimensions: .....	510mm(W) X 303mm(H) X 405mm(D)
Oven Cavity Dimensions: .....	330mm(W) X 212mm(H) X 330mm(D)
Oven Capacity: .....	23 litres
Uncrated Weight: .....	Approx. 14,5 kg
Noise level: .....	Lc < 58 dB(A)

This appliance is marked according to the European directive 2002/96/EC on Waste Electrical and Electronic Equipment (WEEE).

This guideline is the frame of a European-wide validity of return and recycling on Waste Electrical and Electronic Equipment.

## Before you call for service

- If the oven will not perform at all, the display does not appear or the display disappeared:
  - Check to ensure that the oven is plugged in securely. If it is not, remove the plug from the outlet, wait 10 seconds and plug it in again securely.
  - Check the premises for a blown circuit fuse or a tripped main circuit breaker. If these seem to be operating properly, test the outlet with another appliance.
- If the microwave power will not function:
  - Check to see whether the timer is set.
  - Check to make sure that the door is securely closed to engage the safety interlocks. Otherwise, the microwave energy will not flow into the oven.

**If none of the above rectify the situation, then contact the nearest authorized service agent.**

**The appliance for household use for heating food and beverages using electromagnetic energy, for indoor use only.**

## Radio interference

Microwave oven may cause interference to your radio, TV, or similar equipment. When interference occurs, it may be eliminated or reduced by the following procedures.

- Clean the door and sealing surface of the oven.
- Place the radio, TV, etc. as far away from your microwave oven as possible.
- Use a properly installed antenna for your radio, TV, etc. to get a strong signal reception.

## Installation

- Make sure all the packing materials are removed from the inside of the door.
  - Inspect the oven after unpacking for any visual damage such as:
    - Misaligned Door
    - Damaged Door
    - Dents or Holes in Door Window and Screen
    - Dents in Cavity
 If any of the above are visible, **DO NOT** use the oven.
  - This Microwave Oven weighs 14,5 kg and must be placed on a horizontal surface strong enough to support this weight.
  - The oven must be placed away from high temperature and steam.
  - DO NOT** place anything on top of the oven.
  - Keep the oven at least 8 cm away from both sidewalls and 10 cm away from rear wall to ensure the correct ventilation.
  - DO NOT** remove the turn-table drive shaft.
  - As with any appliance, close supervision is necessary when used by children.
- WARNING-THIS APPLIANCE MUST BE EARTHED.**

9. The plug socket should be within easy reach of the power cord
10. This oven requires 1.3 KVA for its input consultation with service engineer is suggested when installing the oven.  
**CAUTION:** This oven is protected internally by a 250V, 10 Amp Fuse.

### IMPORTANT

The wires in this mains lead are coloured in accordance with the following code:

<b>Green-and-yellow:</b>	<b>Earth</b>
<b>Blue:</b>	<b>Neutral</b>
<b>Brown:</b>	<b>Live</b>

As the colours of the wires in the mains leads of the appliance may not correspond with the coloured markings identifying the terminals in your plug, proceed as follows:

- The wire which is coloured green-and-yellow must be connected to the terminal in the plug which is marked with the letter **E** or by the earth symbol coloured green of green-and-yellow.
- The wire which is coloured blue must be connected to the terminal which is marked with the letter **N** or coloured black.
- The wire which is coloured brown must be connected to the terminal which is marked with the letter **L** or coloured red.

## Important safety instructions

- **WARNING:** When the appliance is operated in the combination mode, children should only use the oven under adult supervision due to the temperatures generated; (Only for the model with grill function)
- **WARNING:** If the door or door seals are damaged, the oven must not be operated until it has been repaired by a competent person;
- **WARNING:** It is hazardous for anyone other than a competent person to carry out any service or repair operation that involves the removal of a cover which gives protection against exposure to microwave energy;
- **WARNING:** liquids and other foods must not be heated in sealed containers since they are liable to explode.
- **WARNING:** This appliance is not intended for use by persons (including children) with reduced physical, sensory or mental capabilities, or lack of experience and knowledge, unless they have been given supervision or instruction concerning use of

the appliance by a person responsible for their safety.

- The oven must have sufficient air flow. Keep 8 cm space at back; 10 cm at both sides and 10 cms from top of the oven. Don't remove oven's feet, do not block air events of the oven.
- Only use utensils that are suitable for use in microwave ovens.
- When heating food in plastic or paper containers, keep an eye on the oven due to the possibility of ignition;
- If smoke is observed, switch off or unplug the appliance and keep the door closed in order to stifle any flames;
- Microwave heating of beverages can result in delayed eruptive boiling, therefore care must be taken when handling the container;
- The contents of feeding bottles and baby food jars shall be stirred or shaken and the temperature checked before consumption, in order to avoid burns;
- Eggs in their shell and whole hard-boiled eggs should not be heated in microwave ovens since they may explode, even after microwave heating has ended;
- When cleaning surfaces of door, door seal, cavity of the oven, use only mild, nonabrasive soaps, or detergents applied with a sponge or soft cloth.
- The oven should be cleaned regularly and any food deposits removed;
- Failure to maintain the oven in a clean condition could lead to deterioration of the surface that could adversely affect the life of the appliance and possibly result in a hazardous situation;
- If the supply cord is damaged, it must be replaced by the manufacturer, its service agent or similarly qualified persons in order to avoid a hazard.

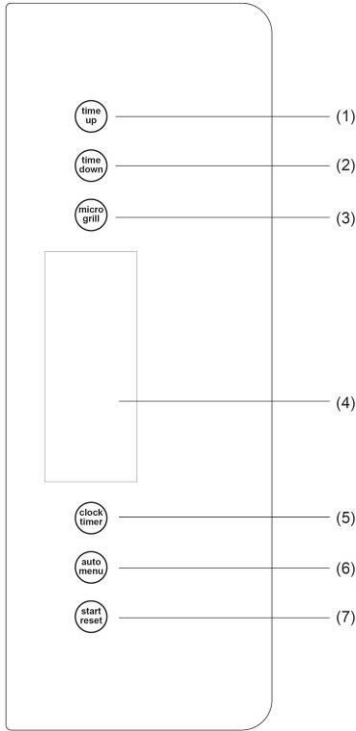
## Safety instructions for general use

Listed below are, as with all appliances, certain rules to follow and safeguards to assure top performance from this oven:

1. Always have the glass tray, roller arms, coupling and roller track in place when operating the oven.
2. Do not use the oven for any reason other than food preparation, such as for drying clothes, paper, or any other nonfood items, or for sterilizing purposes.
3. Do not operate the oven when empty. This could damage the oven.

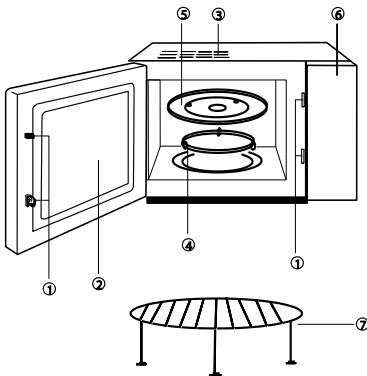
4. Do not use the oven cavity for any type of storage, such as papers, cookbooks, etc.
  5. Do not cook any food surrounded by a membrane, such as egg yolks, potatoes, chicken livers, etc without first being pierced several times with a fork.
  6. Do not insert any object into the openings on the outer case.
  7. Do not at any time remove parts from the oven such as the feet, coupling, screws, etc.
  8. Do not cook food directly on the glass tray. Place food in/on proper cooking utensil before placing in the oven.
- IMPORTANT-COOKWARE NOT TO USE IN YOUR MICROWAVE OVEN**
- Do not use metal pans or dishes with metal handles.
  - Do not use anything with metal trim.
  - Do not use paper covered wire twist-ties on plastic bags.
  - Do not use melamine dishes as they contain a material which will absorb microwave energy. This may cause the dishes to crack or char and will slow down the cooking speed.
  - Do not use Centura Tableware. The glaze is not suitable for microwave use. Corelle Livingware closed handle cups should not be used.
  - Do not cook in a container with a restricted opening, such as a pop bottle or salsa oil bottle, as they may explode if heated in a microwave oven.
  - Do not use conventional meat or candy thermometers.
  - There are the thermometers available specifically for microwave cooking. These may be used.
9. Microwave utensils should be used only in accordance with manufacturer's instructions.
  10. Do not attempt to deep-fry foods in this oven.
  11. Please remember that a microwave oven only heats the liquid in a container rather than the container itself. Therefore, even though the lid of a container is not hot to the touch when removed from the oven, please remember that the food/liquid inside will be releasing the same amount of steam and/or spitting when the lid is removed as in conventional cooking.
  12. Always test the temperature of cooked food yourself especially if you are heating or cooking food/liquid for babies. It is advisable never to consume food/liquid straight from the oven but allow it to stand for a few minutes and stir food/liquid to distribute heat evenly.
  13. Food containing a mixture of fat and water, e.g. stock, should stand for 30-60 seconds in the oven after it has been turned off. This is to allow the mixture to settle and to prevent bubbling when a spoon is placed in the food/liquid or a stock cube is added.
  14. When preparing/cooking food/liquid and remember that there are certain foods, e.g. Christmas puddings, jam and mincemeat, which heat up very quickly. When heating or cooking foods with a high fat or sugar content do not use plastic containers.
  15. Cooking utensil may become hot because of heat transferred from the heated food. This is especially true if plastic wrap has been covering the top and handles of the utensil. Potholders may be needed to handle the utensil.
  16. To reduce the risk of fire in the oven cavity:
    - a) Do not overcook food. Carefully attend microwave oven if paper, plastic, or other combustible materials are placed inside the oven to facilitate cooking.
    - b) Remove wire twist-ties from bags before placing bag in oven.
    - c) If materials inside the oven should ignite, keep oven door closed, turn the oven off at the wall switch, or shut off power at the fuse or circuit breaker panel.

## Computer control panel



1. TIME UP
2. TIME DOWN
3. Micro/defrost/Grill/Double Grill/Comb
4. Display Window
5. Clock / Timers
6. AUTO / MENU
7. START / RESET

## Feature diagram



1. Door Safety Lock System
2. Oven Window
3. Oven Air Vent
4. Roller Ring
5. Glass Tray
6. Control Panel
7. Grill rack

## Operation Instruction

### 1. Single Button Heating

Only with a single press of a button, you can start simple cooking, it is very convenient and quick to heat a glass of water etc.

**Example:** To heat a glass of milk

- Put a glass of milk onto the glass turntable and close the door.
- Press the button »Start/Reset«, the microwave oven will work on 100% power for 1 minutes.
- You will hear 5 beeps when cooking is completed.

### 2. Microwave Heating

This function has two options.

- Quick microwave heating (100% power)

**Example:** To heat food on 100% power for 5 minutes

- Set time to »5:00«
- Press »Start/Reset«
- Manual-operation microwave heating

**Example:** To heat food on 70% power for 10 minutes

- Press "Micro...Auto menu" button, select »70%« power;
- Set time to »10:00«
- Press »Start/Reset«

There are 5 power levels and the longest microwave cooking time is 60 minutes.

Touching times "Micro"	Microwave power	Display
1	100%	P100
2	70%	P70
3	50%	P50
4	30%	P30
5	10%	P10

### 3. Auto weight defrost

Select the weight of the frozen food, it will automatically help you to adjust the power level and time.

**Example:** defrost 0.5 kg of frozen meat.

- Press "Micro...Auto menu" to select "0,1".
- Input weight by pressing "1min" (1kg) and "10 sec" (0.1kg) button.
- Press "Start/Reset".

**Weight of frozen food must be less than 2 kg.**

### 4. Grill

This function has two options. You may select between the two by pressing the "Micro...Auto menu" button (the longest cooking time is 60 minutes):

**Option 1:** 85% grill power, display G-1

**Option 2:** 50% grill power, display G-2

**Example:** Cooking food using the grill for 20 minutes

- Press "Micro...Auto menu" until LED displayed "G-1".
- Set cooking time "20:00"
- Press "Start/Reset"

When grilling, food is not heated by microwaves. Heat is radiated from the metal heater at the top of the oven.

When grill is working, the cooking time is divided into 2 stages. after the 1st stage, program will automatically pause and sound 2 beeps, indicating you to open the oven and turn over the food. Close the door after turning the food. Press "Start/Reset" button and the cooking will continue for the 2nd stage. If you do not want to turn over the food, the oven will re-start automatically after 1 min pause.

### 5. Combination Cooking

With this appliance you can select between two options of combination cooking.

**Option 1:** Combination cooking (55% microwave + 45% grill)

LED will display "C-1"

**Option 2:** Combination cooking (30% microwave + 70% grill)

LED will display "C-2".

**Example:** Cooking food using option 2 for 15 minutes.

- Press "Micro...Auto menu" until the LED displays "C-2"
- Set cooking time for "15:00"
- Press "Start/Reset"

### 6. Auto-Menu

You only need to select food type and weight, it will help you to automatically adjust power and time.

**Example:** Auto cooking 0.4 kg fish

- Press "Micro...Auto menu" button until "A-5" displayed.
- Input the weight by pressing the button "1 min" (1 kg) and the button "10 sec" (0.1 kg).
- Press "Start/Reset".

Touching Times "1min"	Menu, Weight (kg)		
	A-1 Rice	A-2 Vegetable	A-3 Noodles
1	0,1	0,1	1
2	0,2	0,2	2
3	0,3	0,3	
4	0,4	0,4	
5	0,5	0,5	
6		0,6	

Touching Times "1min"	Menu, Weight (kg)		
	A-4 Meat	A-5 Fish	A-6 Chicken
1	0,2	0,2	0,2
2	0,3	0,3	0,4
3	0,4	0,4	0,6
4	0,5	0,5	0,8
5	0,6	0,6	1,0
6	0,8	0,8	
7	1,0	1,0	

## 7. Clock

The oven has a 24-hour digital clock,  
To set the time for example to 4:30pm:

- Press the "Clock/Timer" button.  
Display will start flashing, adjust the hour with "1 Min" and "10 Sec" buttons.
- Press "Clock/Timer" again, adjust the minutes with buttons "1Min" and "10 Sec".
- Press "Clock/Timer" again and the clock will be set.
- If you want to change the time, repeat the procedure above.

## 8. Timer

This allows you to set the microwave oven to start and finish cooking at pre-set time. The clock must be set before you use this feature.

**Example:** The current time is 16:30 and you want to start cooking at 18:15 on 70% power for 10minutes:

- Press "Clock/Timer", set the time to "18:15" by pressing "1Min" and "10 Sec" buttons, (same procedure as setting clock)
- Press "Micro...Auto menu" to select 70% power.
- Set cooking time to 10 minutes.
- Press "Start/Reset"

If you do not set the power and cooking time and directly press the start button once you have programmed the time, the appliance will only work as a clock.

At 18:15 there will be 10 bleeps and the appliance will switch off.

## 9. Child-safety-lock

To activate the child safety lock, press "Time up" and "Time down" at the same time for 2 seconds.

Press press "Time up" and "Time down" at the same time for 2 seconds again, it will unlock the machine.

## 10. Start/Reset

- In the course of operation, press "Start/Reset" button will stop operation.
- If any program was set before pressing start, press this button will cancel all the set program.

## Care of your microwave oven

1. Turn the oven off and remove the power plug from the wall socket before cleaning.
2. Keep the inside of the oven clean. When food splatters of spilled liquids adhere to oven walls, wipe with a damp cloth. The use of harsh detergent or abrasives is not recommended.
3. The outside oven surface should be cleaned with a damp cloth. To prevent damage to the operating parts inside the oven, water should not be allowed to seep into the ventilation openings.
4. Do not allow the Control Panel to become wet. Clean with a soft, damp cloth, Do not use detergents, abrasives or spray-on cleaners on the control Panel.
5. If steam accumulates inside or around the outside of the oven door, wipe with a soft cloth. This may occur when the microwave oven is operated under high humidity conditions and in no way indicates malfunction of the unit.
6. It is occasionally necessary to remove the glass tray for cleaning. Wash the tray in warm sudsy water or in a dishwasher.
7. The roller ring and oven cavity floor should be cleaned regularly to avoid excessive noise. Simply wipe the bottom surface of the oven with mild detergent, water or window cleaner and dry. The roller ring may be washed in mild sudsy water or sish washer. Cooking vapours collect during repeated use but in no way affect the bottom surface or roller ring wheels. When removing the roller ring from cavity floor for cleaning, be sure to replace it in the proper position.
8. Remove odors from your oven by combining a cup of water with the juice and skin of one lemon in a deep microwaveable bowl. Microwave for 5 minutes, wipe thoroughly and dry with a soft cloth.
8. When it becomes necessary to replace the oven light, please consult a dealer to have it replaced.

## Environment

Do not throw away the appliance with the normal household waste at the end of its life, but hand it in at an official collection point for recycling. By doing this, you help to preserve the environment.

## Guarantee & service

If you need information or if you have a problem, please contact the Gorenje Customer Care

Centre in your country (you find its phone number in the worldwide guarantee leaflet). If there is no Customer Care Centre in your country, go to your local Gorenje dealer or contact the Service department of Gorenje domestic appliances.

### For personal use only!

Additional recommendations for cooking with microwave, grill and useful advices can be found on web side:

<http://microwave.gorenje.com>

**WISHES YOU A LOT OF PLEASURE  
WHILE USING YOUR APPLIANCE**

**gorenje**