

gorenje



SGD2800WV

INSTRUCTION MANUAL	EN
BEDIENUNGSANLEITUNG	DE
MANUEL D'INSTRUCTIONS	FR
MANUALE DI ISTRUZIONI	IT
MANUAL DE INSTRUCCIONES	ES
UPUTE ZA UPORABU	HR
NAVODILA ZA UPORABO	SI
MANUAL UDHËZIMI	SQ
UPUTSTVA ZA UPOTREBU	SRB
УПАТСТВО ЗА УПОТРЕБА	MK
MANUAL DE INSTRUCȚIUNI	RO
ИНСТРУКЦИЯ ПО ЭКСПЛУАТАЦИИ	RU
NÁVOD K OBSLUZE	CZ
HASZNÁLATI ÚTMUTATÓ	HU
INSTRUKCJA OBSŁUGI	PL
NÁVOD NA POUŽITIE	SK
ПОСІБНИК З ЕКСПЛУАТАЦІЇ	UA
ИНСТРУКЦИЯ ЗА УПОТРЕБА	BG

IMPORTANT SAFEGARDS

Before using the electrical appliance, basic precautions should always be followed including the following:

Read all instructions.

1. Before using check that the voltage of wall outlet corresponds to the one shown on the rating plate.
2. Do not use the appliance if the main cord, plug, light or the appliance itself shows visible damage, or the appliance has been dropped or is leaking. Take it to the nearest authorized service facility or a qualified serviceman for examination and repair in order to avoid a hazard.
3. If the supply cord is damaged, it must be replaced by the manufacturer, its service agent or similarly qualified persons in order to avoid a hazard.
4. Do not allow the cord to come into contact with the soleplate when it is hot.
5. Burns may occur from touching hot metal parts, hot water, or steam.
6. Do not let cord hang over edge of table or hot surface.
7. To protect against a risk of electric shock, never immerse the iron in water or other liquids. If this has happened, do not use this appliance any more; dispose of the appliance.
8. Do not leave iron unattended while connected into power supply or on an ironing board.
9. Always place or use the appliance on a stable, level and horizontal surface.
10. The use of accessory not recommended by manufacturer may cause injury to persons or damage to appliance.
11. When placing the iron on its stand, ensure that the surface on which the stand is placed is stable.
12. The knob at the bottom of unit base must be always well closed during the use.
13. Never fill the water tank with hot water, scent, vinegar, starch, descaler, fabric softener or other chemical reagent.
14. Unplug from outlet when not in use before filling water or cleaning.
15. Do not use the appliance for other than its intended use.
16. This appliance can be used by children aged from 8 years and above and persons with reduced physical, sensory or mental capabilities or lack of experience and knowledge if they have been given supervision or instruction concerning use of the appliance in a

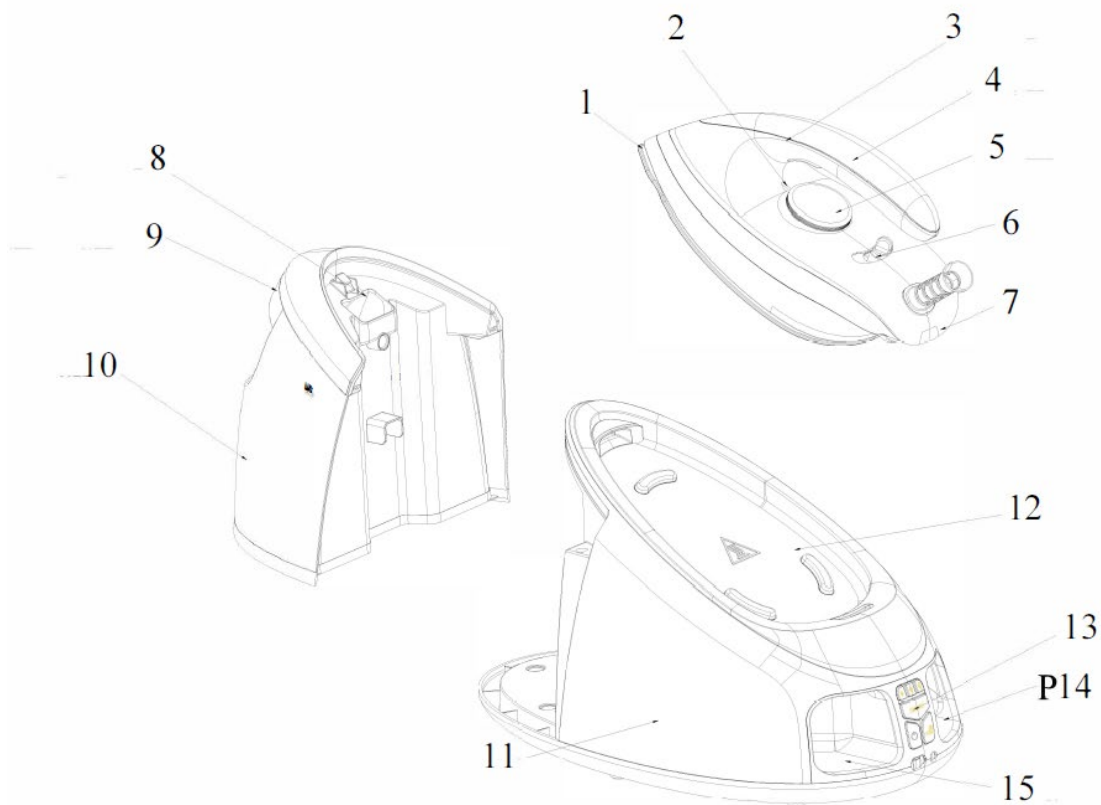
way and understand the hazards involved.

17. Children shall not play with the appliance. Cleaning and user maintenance shall not be made by children without supervision.
18. The iron is not to be used if it has been dropped, if there are visible signs of damage or if it is leaking.
19. Keep the iron and its cord out of reach of children less than 8 years of age when it is energized or cooling down.
20. Never touch the hot soleplate unless the iron is cooled down completely and unplugged.
21. Do not use outdoors.
22. Save these instructions.

HOUSEHOLD USE ONLY

KNOW YOUR STEAM STATION

Number	Description
1	Soleplate
2	Temperature indicator
3	Steam trigger
4	Handle
5	Temperature knob
6	Iron to station lock
7	Iron
8	Filling aperture
9	Water tank handle
10	Water tank
11	Unit base
12	Thermal insulation stand
13	Control panel
14	Power cord storage
15	Steam cord storage



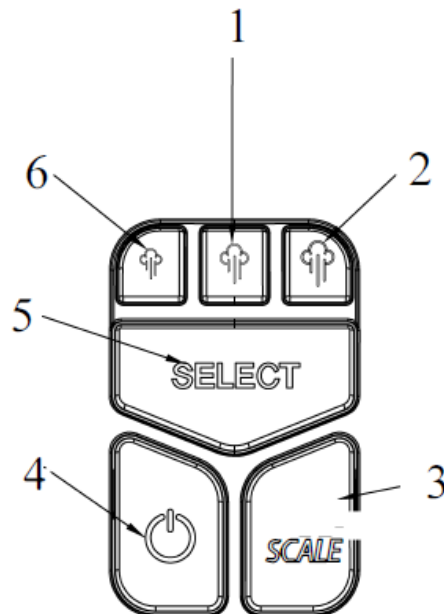
TEMPERATURE DIAL



●	Silk 80<T<120
●●	Wool 115<T<160
●●●	Cotton 170<T<215
MAX	Maximum 175<T<225

CONTROL PANEL

Number	Description
1	Medium steam
2	High steam
3	Descaling button
4	Power button
5	Steam rate control
6	Low steam



Filling aperture

Fill the water tank with water through the filling aperture of water tank. Make sure that the water shall not exceed the MAX mark of water tank.

Power button

Plug in the appliance and press down the power button, the power indicator will illuminate, the low steam rate is regarded as defaulted one and its indicator will blink. Hold and press the power button for more than 2 seconds, the appliance will be cut off.

Steam rate control button

The steam rate can be selected low, medium or high by the steam rate control button. Any one to be selected, its indicator will blink, and it will illuminate solidly after finish preheating, which means that the steam is ready for use. The indicator of selected steam rate will blink when the steam rate is switched from low setting to high setting, while it will illuminate solidly when the steam rate is switched from high setting to low setting.

Temperature dial

Turn the dial to set ironing temperature based on the garment needs to be ironed.

Temperature indicator

The appliance will heat up when it has not reached the selected temperature. The temperature indicator will illuminate when the appliance is heating up. Once the appliance has reached the selected temperature, the temperature indicator will extinguish. The temperature indicator will be cycled on and off as the iron maintains the selected temperature during ironing.

Iron lock



Put the iron on the thermal insulation stand of unit base, then push the iron lock to “” position to lock the iron on the unit base. To unlock, push the iron lock to “” position, then you can remove the iron to iron the clothes (see Fig.1). The whole steam station can be lifted up by grasping the iron's handle after the iron being properly locked on the unit base (see

Fig.2).

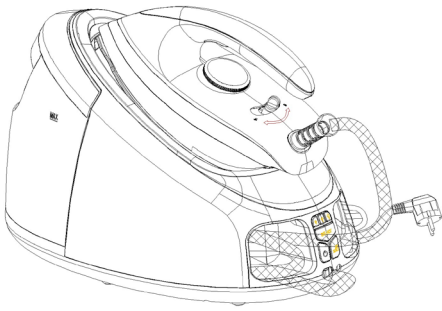


Fig.1

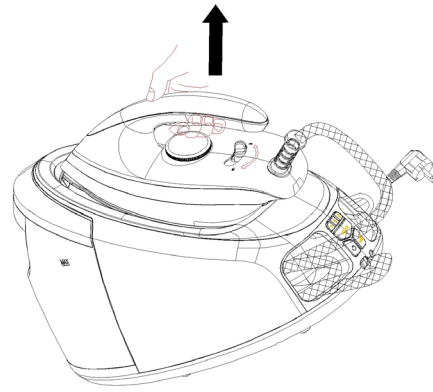


Fig.2

Steam trigger

After pressing down the power button and choosing the desired steam rate, it indicates the steam can be used for ironing when the steam rate indicator changes from blinking to illuminating solidly. At that time, press the steam trigger with a little force, the steam will be sprayed from the soleplate continuously. When loosen the steam trigger, the appliance can only be used for dry ironing without steam.

Shot of steam

Quickly press the steam trigger twice to produce shot of steam, which will last for 6 minutes (see Fig.3). If you want to stop producing shot of steam during operation, only need to press the steam trigger or any button on the control panel once.

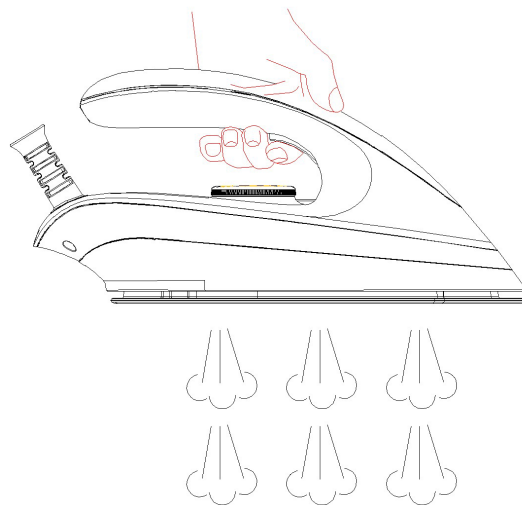


Fig.3

Descaling indicator

If the descaling indicator illuminates, it indicates the steam generator shall be cleaned by virtue of the mineral deposits collecting to a degree. When the system ensures the mineral deposits have been removed, the indicator will extinguish.

Power cord storage box & Steam supply hose storage box

When not in use, the steam supply hose and power cord can be folded well and stored in their respective storage boxes.

Automatic power off

The appliance will turn off automatically if do not activate the “Steam” function or do not activate the control buttons on the control panel within 10 minutes.

BEFORE FIRST USE

1. Remove any sticker or protective foil from the soleplate.
2. Fill the water tank with water and heat up the iron at the maximum temperature, and then iron over a piece of damp cloth for several minutes for the purpose of removing any residue on the soleplate according to the section of “Steam ironing”.

NOTE:

- 1) It is normal that strange odour comes out from the unit for the first use. This will cease after a short while.*
- 2) Some particles may come out of the soleplate when you use the iron for the first time. This is normal; the particles are harmless and stop coming out of the iron after a short while.*
- 3) When you activate the “Steam” function, the appliance may produce a pumping sound. This is normal; the sound tells you that water is pumped into the steam generator.*
- 4) During the heating process of the soleplate, there will be little steam coming out from the soleplate automatically and this phenomenon will continue for about 3 seconds, this is normal.*
- 5) There will be little condensation water in the steam supply hose after first use.*

But in the second use, the condensation water will be sprayed out together with the steam at the beginning of releasing steam. This phenomenon will continue for several seconds. This is normal.

3. The appliance will shut off automatically if all the indicators blink five times together with five beeps can be heard after being powered on, at that time, please contact the after-sales service department.

USING YOUR STEAM STATION

The appliance has two ironing ways. You can use dry ironing or steam ironing, the details refer to the following:

Dry ironing

1. Put the unit base on a stable and level surface and then put the iron on the thermal insulation stand of unit base.
2. Connect the appliance with power source and press down the power button, the power indicator turns on.
3. Turn temperature dial to your desired setting, which is depended on the fabric of garment. The iron starts heating, and the temperature indicator will illuminate solidly during heating. Refer to “**IRONING TIPS**”.
4. The temperature indicator will turn off when the selected temperature is reached. You can start ironing now.

WARNING: Never touch hot soleplate at any time before cooling down!

Steam ironing

1. Put the unit base on a stable and level surface.
2. Grasp the water tank's handle to remove the water tank, then fill it with water through the filling aperture. You had better use purified water with less calcium particles. After it, replace the water tank properly. The max capacity of water tank is 1.7L, the water level shall not be exceeded the MAX mark.
2. Put the iron on the thermal insulation stand of unit base.

3. Connect the appliance with power source, press down the power button, and the defaulted low steam rate indicator will blink. And there are three modes including low, medium and high steam rate available, you can select the desired steam rate for each garment according to your requirement. Make sure that there is enough water in the tank.

4. Turn temperature dial to your desired setting, which is depended on the fabric of garment. The iron starts heating, and the temperature indicator will illuminate solidly during heating. Refer to “**IRONING TIPS**” and “**ADDITIONAL TABLE**” as below when select temperature.

5. After a few minutes, the temperature indicator will extinguish, it indicates the soleplate temperature has achieved the selected temperature. When the indicator of selected steam rate changes from flashing to illuminating, it indicates that the iron is ready for ironing garment with steam.

6. Press the steam trigger with a little force, the steam will be sprayed from the soleplate continuously, and then you can iron the garment with steam.

7. Quickly press the steam trigger twice to produce shot of steam if you need to remove hard crease.

Note: There may be dripping water during spraying steam when the temperature of the soleplate is at and lower than the second setting. This is normal.

Caution:

1) Do not touch hot soleplate at any time before cooling down!

2) Never direct the steam at people!

3) Do not activate the steam trigger when the iron is placed on the unit base to avoid being scalded by steam.

8. After ironing, press down the power button for more than 2 seconds, the appliance will be turned off and all the indicators will extinguish. Remove the plug from the wall socket. But the soleplate is still hot, never touch it with hand, place it on the thermal insulation stand until it cools down completely.

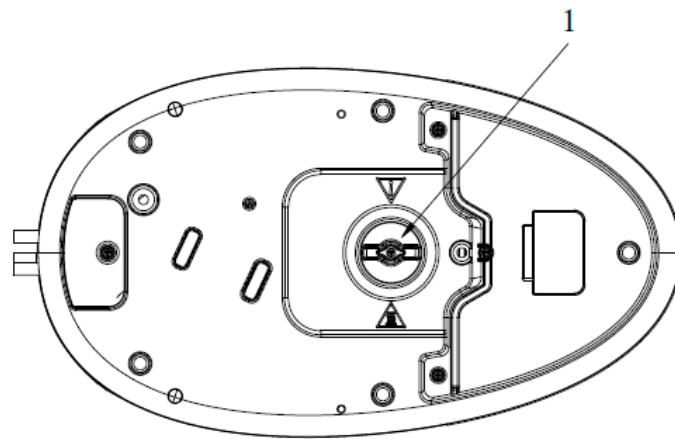
AUTO-CLEAN FUNCTION

If the “Descaling indicator” illuminates, it indicates the steam generator shall be cleaned by virtue of the mineral deposits collecting to a degree. When the system ensures the mineral deposits have been removed, the “Descaling indicator” will extinguish.

Before cleaning, make sure that the “Descaling indicator” lights solidly, then unplug the appliance and make it cool down.

1. Remove the water tank, upend the unit base and put it on a flat surface, then anticlockwise rotate the knob at the bottom of unit base to remove it.

WARNING: To avoid a risk of scald, make sure the appliance has been cooled down completely before removing the knob, position 1 on picture below.



2. Install the drain connector into the drain pipe.

3. Put the unit base on a suitable and fixed table, then put the silicone tube into a container, after it, fill the water tank with water and replace it back in position (see Fig.4). Make sure that the appliance shall be placed steadily.

Number	Description
1	Silicone tube
2	Container
3	Fixed table

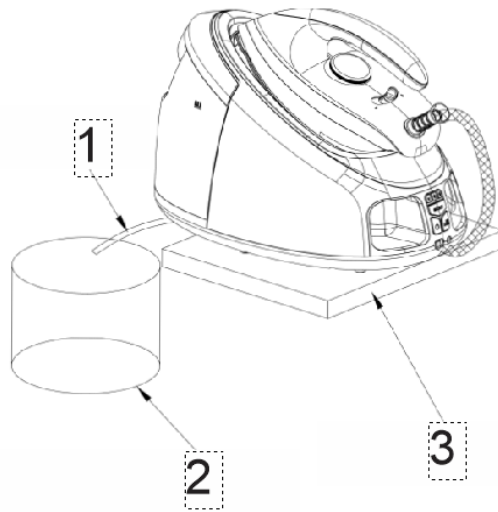


Fig.4

4. Connect the appliance with power source, press down the power button, then hold and press “Descaling button” and “Steam trigger” simultaneously for about 1 second, at that time, one beep can be heard and the descaling indicator begins to blink, then the appliance starts to clean the steam generator, and the steam and scale flows out of the steam generator, about 3 minutes later, one beep can be heard, the descaling indicator extinguishes and the appliance shuts off automatically.

NOTE: Do not touch or get close to the container during cleaning to avoid being scalded.

5. Unplug and remove the water tank, then put the iron on a flat surface, after it, upend the unit base and put it on a flat surface, and then rotate the knob clockwise to tighten it and install the drain connector well in position. Finally, upend the unit base and put the iron on the thermal insulation stand of unit base.

CLEANING AND MAINTENANCE

Before cleaning, firstly disconnect the Fig.8 outlet and let the appliance cool down.

1. Wipe the residues and any other deposits on the soleplate with a damp cloth or a non-abrasive (liquid) cleaner.

NOTE: Do not use chemical, steel, wooden or abrasive cleaners to scrape the soleplate.

2. Clean the upper part of iron with a soft damp cloth. Wipe the water drop on the unit base and the thermal insulation stand with dry cloth.
3. Perform auto-clean by following the operation described in “**AUTO-CLEAN FUNCTION**” when the “Descaling indicator” illuminates.
4. When do not use the appliance for a long time, pour out the water in the tank, turn the temperature dial to the minimum setting and store the iron on the thermal insulating cushion and then push the iron lock to the lock position to lock the iron well.
Note: The whole steam station can be lifted up by grasping the iron’s handle after the iron being properly locked on the unit base.
5. When not in use, the steam supply hose and power cord can be folded well and stored in their respective storage boxes, then put the appliance at a place out of the reach of children.

IRONING TIPS

- Always check first whether a label with ironing instructions is attached to the article. Follow these ironing instructions in any case.
- The iron heats up quicker than cooling it down, therefore, you should start ironing the articles requiring the lowest temperature such as those made of synthetic fiber.
- If the fabric consists of various kinds of fibers, you must always select the lowest ironing temperature to iron the composition of those fibers.
- Synthetic fibre and silk fabrics should be ironed on their inner side to avoid being shone.
- Velvet and other textures that rapidly become shiny should be ironed in one direction with light pressure applied. Always keeps the iron moving at any moment.
- Pure wool fabrics (100% wool) may be ironed with the steam iron. Preferably set temperature dial to the third position and use a dry cloth as a mat.
- Never iron over zip, rivet in the cloth. This will damage the soleplate. Iron around any such object.

ENVIRONMENT FRIENDLY DISPOSAL



***You can help protect the environment!
Please remember to respect the local regulations:
hand in the non-working electrical equipments to
an appropriate waste disposal center***

WICHTIGE SCHUTZMASSNAHMEN

Vor der Verwendung von elektrischen Geräten sollten immer grundlegende Sicherheitsvorkehrungen einschließlich der folgenden beachtet werden:

Lesen Sie alle Anweisungen sorgfältig durch.

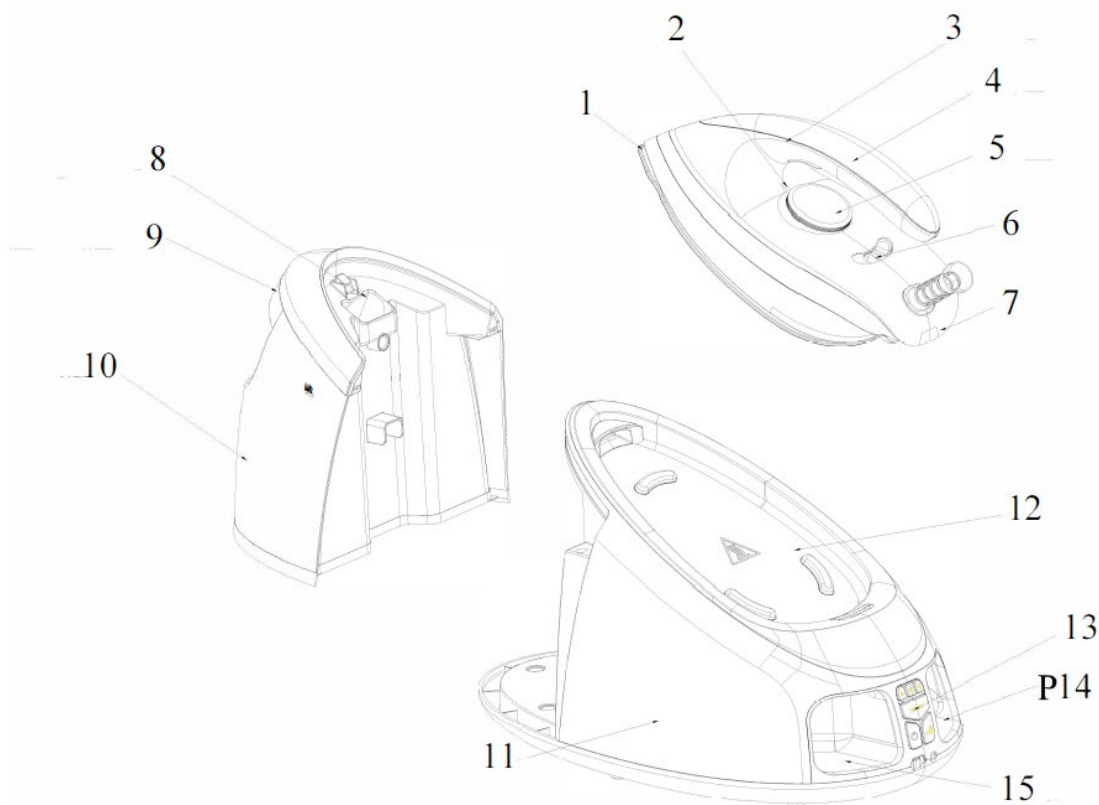
1. Stellen Sie vor Gebrauch sicher, dass die Spannung der Steckdose mit der auf dem Typenschild übereinstimmt.
2. Verwenden Sie das Gerät nicht, wenn das Netzkabel, der Stecker, das Licht oder das Gerät selbst sichtbare Schäden aufweisen oder wenn das Gerät heruntergefallen ist oder ausläuft. Bringen Sie es zur Überprüfung und Reparatur zur nächstgelegenen Fachwerkstatt oder einem qualifizierten Techniker, um eine Gefährdung zu vermeiden.
3. Bei Beschädigung des Anschlusskabels, darf dieses nur vom Hersteller, seinem autorisierten Kundendienst oder einer entsprechend qualifizierten Person ausgetauscht werden, um einen Stromschlag zu vermeiden.
4. Achten Sie darauf, dass das Kabel nicht mit der Arbeitsfläche in Berührung kommt, wenn diese heiß ist.
5. Beim Berühren von heißen Metallteilen, heißem Wasser oder Dampf kann es zu Verbrennungen kommen.
6. Lassen Sie das Kabel nicht über die Tischkante oder eine heiße Oberfläche hängen.
7. Tauchen Sie das Bügeleisen niemals in Wasser oder andere Flüssigkeiten ein, um sich vor der Gefahr eines elektrischen Schlages zu schützen. Verwenden Sie das Gerät in einem solchen Fall nicht mehr und entsorgen Sie es.
8. Lassen Sie das Bügeleisen nicht unbeaufsichtigt, wenn es an das Stromnetz angeschlossen ist oder auf einem Bügeltisch steht.
9. Stellen oder benutzen Sie das Gerät immer auf einer stabilen, ebenen und horizontalen Fläche.
10. Die Verwendung von Zubehör, das nicht vom Hersteller empfohlen wird, kann zu Verletzungen von Personen oder zur Beschädigung des Geräts führen.
11. Wenn Sie das Bügeleisen auf den Ständer stellen, vergewissern Sie sich, dass die Oberfläche, auf die der Ständer gestellt wird, stabil ist.
12. Der Drehknopf an der Unterseite des Gerätes muss während des Gebrauchs immer gut geschlossen sein.
13. Füllen Sie niemals heißes Wasser, Parfüm, Essig, Stärke, Entkalker, Weichspüler oder

- andere chemische Reagenzien in den Wassertank.
14. Ziehen Sie den Stecker aus der Steckdose, wenn Sie das Gerät nicht benutzen, bevor Sie Wasser einfüllen oder es reinigen.
 15. Verwenden Sie das Gerät nicht für eine andere als die bestimmungsgemäße Verwendung.
 16. Dieses Gerät kann von Kindern ab 8 Jahren und darüber sowie von Personen mit verringerten physischen, sensorischen oder geistigen Fähigkeiten oder Mangel an Erfahrung und Wissen benutzt werden, wenn sie beaufsichtigt oder bezüglich des Gebrauchs des Geräts unterwiesen wurden und die daraus resultierenden Gefahren verstehen.
 17. Kinder dürfen nicht mit dem Gerät spielen. Die Reinigung und Wartung darf nicht von Kindern ohne Aufsicht durchgeführt werden.
 18. Das Bügeleisen darf nicht benutzt werden, wenn es heruntergefallen ist, wenn es sichtbare Anzeichen von Beschädigungen aufweist oder wenn es undicht ist.
 19. Halten Sie das Bügeleisen und sein Kabel außerhalb der Reichweite von Kindern unter 8 Jahren, wenn es eingeschaltet ist oder abkühlt.
 20. Berühren Sie niemals die heiße Bügelsohle, es sei denn, das Bügeleisen ist vollständig abgekühlt und vom Stromnetz getrennt.
 21. Nicht im Freien verwenden.
 22. Bewahren Sie diese Anleitung auf.

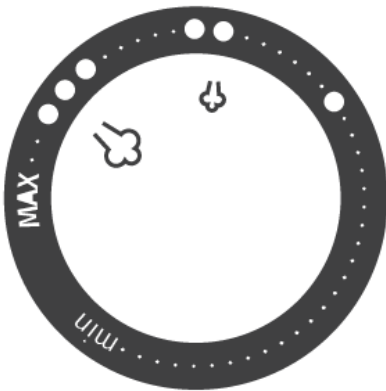
NUR FÜR DEN PRIVATEN GEBRAUCH IM HAUSHALT

LERNEN SIE IHRE DAMPFBÜGELSTATION KENNEN

Nummer	Beschreibung
1	Bügelsohle
2	Temperaturanzeige
3	Dampfauslöser
4	Griff
5	Temperaturregler
6	Bügeleisensperrriegel
7	Bügeleisen
8	Einfüllöffnung
9	Wassertankgriff
10	Wassertank
11	Dampfbügelstation
12	Thermoablage
13	Bedienfeld
14	Netzkabelstaufach
15	Dampfschlauchstaufach



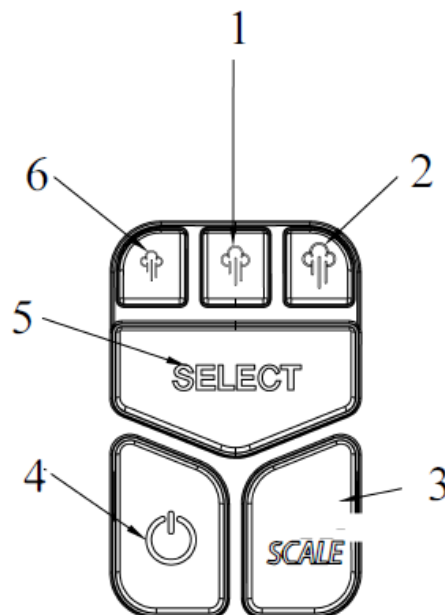
TEMPERATURREGLER



●	Seide 80<T<120
● ●	Wolle 115<T<160
● ● ●	Baumwolle 170<T<215
MAX	Maximum 175<T<225

BEDIENFELD

Nummer	Beschreibung
1	Mittlere Dampfmenge
2	Hohe Dampfmenge
3	Entkalkungstaste
4	Ein-/Aus-Taste
5	Dampfmengenregulierung
6	Geringe Dampfmenge



Einfüllöffnung

Den Wassertank über die Einfüllöffnung des Wassertanks mit Wasser füllen. Achten Sie darauf, dass der Wasserstand nicht über die MAX-Markierung des Wassertanks steigt.

Ein-/Aus-Taste

Gerät anschließen und Ein/Aus-Taste drücken. Die Betriebsanzeige leuchtet auf, die niedrige Dampfmenge ist voreingestellt und die Anzeige blinkt. Wird die Ein-/Aus-Taste länger als 2 Sekunden gedrückt, schaltet sich das Gerät aus.

Dampfberegulierungstaste

Mit der Dampfberegulierungstaste kann die Dampfmenge auf niedrig, mittel oder hoch eingestellt werden. Nach Beendigung des Vorheizvorgangs leuchtet die Anzeige durchgehend, d.h. der Dampf ist betriebsbereit. Die Anzeige der gewählten Dampfmenge blinkt, wenn die Dampfmenge von der niedrigen auf die hohe Einstellung umgeschaltet wird, und leuchtet durchgehend, wenn die Dampfmenge von der hohen auf die niedrige Einstellung umgeschaltet wird.

Temperaturregler

Drehen Sie den Regler, um die Bügeltemperatur entsprechend dem zu bügelnden Kleidungsstück einzustellen.

Temperaturanzeige

Das Gerät heizt auf, wenn die eingestellte Temperatur noch nicht erreicht ist. Die Temperaturanzeige leuchtet während des Aufheizens. Sobald die gewählte Temperatur erreicht ist, erlischt die Temperaturanzeige. Die Temperaturanzeige schaltet sich abwechselnd ein und aus, wenn das Bügeleisen während des Bügelns die gewählte Temperatur hält.

Bügeleisensperrriegel

Legen Sie das Bügeleisen auf die wärmeisolierte Halterung der Gerätebasis und schieben Sie die Bügeleisensperre in die Position "🔒", um das Bügeleisen auf der Gerätebasis zu verriegeln. Um das Bügeleisen zu entriegeln, schieben Sie den Bügeleisensperrriegel in die Position "🔓" und nehmen Sie das Bügeleisen zum Bügeln der Wäsche ab (siehe Abb. 1). Wenn das Bügeleisen richtig auf der Basis verriegelt ist, kann die gesamte Dampfstation am Griff des Bügeleisens angehoben werden (siehe Abb. 2).

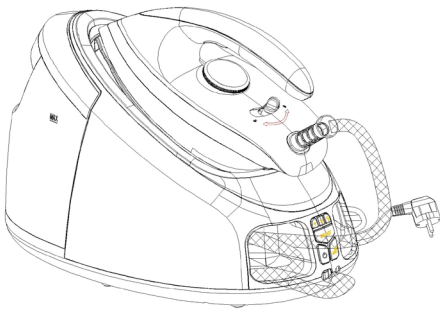


Abb. 1

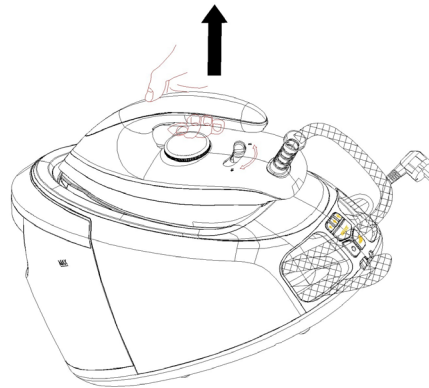


Abb. 2

Dampfauslöser

Nachdem Sie die Einschalttaste gedrückt und die gewünschte Dampfmenge gewählt haben, wird angezeigt, dass der Dampf zum Bügeln verwendet werden kann, wenn die Dampfmengeanzeige nicht mehr blinkt, sondern konstant leuchtet. Drücken Sie nun den Dampfauslöser mit etwas Kraft und der Dampf strömt kontinuierlich aus der Bügelsohle. Wenn Sie den Dampfauslöser loslassen, kann das Gerät nur zum Trockenbügeln ohne Dampf verwendet werden.

Dampfstoß

Drücken Sie den Dampfauslöser zweimal kurz, um einen Dampfstoß zu erzeugen, der 6 Minuten lang anhält (siehe Abb. 3). Um die Dampfabgabe während des Betriebes zu unterbrechen, genügt es, den Dampfauslöser oder eine beliebige Taste auf dem Bedienfeld einmal zu drücken.

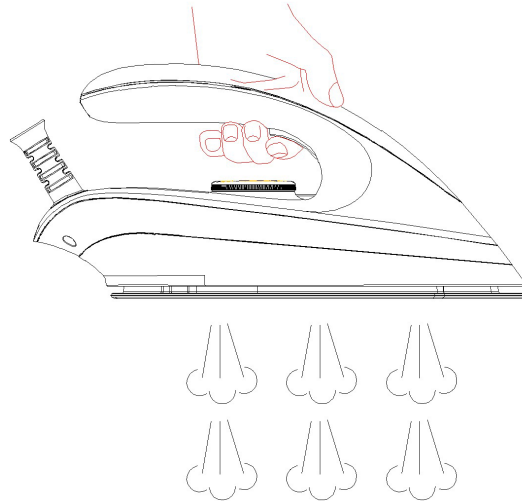


Abb. 3

Entkalkungsanzeige

Wenn die Entkalkungsanzeige aufleuchtet, bedeutet dies, dass der Dampferzeuger gereinigt werden muss, da sich mineralische Ablagerungen angesammelt haben. Stellt das System fest, dass die Kalkablagerungen entfernt wurden, erlischt die Anzeige.

Netzkabelstaufach und Dampfschlauchstaufach

Bei Nichtgebrauch können der Dampfschlauch und das Netzkabel zusammengelegt und in den entsprechenden Aufbewahrungsboxen verstaut werden.

Automatische Abschaltung

Das Gerät schaltet sich automatisch ab, wenn innerhalb von 10 Minuten weder die "Dampf"-Funktion noch die Bedientasten auf dem Bedienfeld betätigt werden.

VOR DEM ERSTEN GEBRAUCH

1. Entfernen Sie alle Aufkleber oder Schutzfolien von der Bügelsohle.
2. Füllen Sie den Wassertank mit Wasser, heizen Sie das Bügeleisen auf die höchste Temperatur und bügeln Sie einige Minuten über ein feuchtes Tuch, um eventuelle Rückstände von der Bügelsohle zu entfernen (siehe Abschnitt "Dampfbügeln").

HINWEIS:

- 1) Es ist normal, dass bei der ersten Benutzung ein seltsamer Geruch aus dem Gerät entweicht. Dieser verschwindet nach kurzer Zeit.*
 - 2) Wenn Sie das Bügeleisen zum ersten Mal benutzen, können Partikel aus der Bügelsohle austreten. Dies ist normal; die Partikel sind harmlos und treten nach kurzer Zeit nicht mehr aus dem Bügeleisen aus.*
 - 3) Wenn Sie die "Dampf"-Funktion aktivieren, erzeugt das Gerät u.U. ein Pumpgeräusch. Das ist normal; das Geräusch weist darauf hin, dass Wasser in den Dampferzeuger gepumpt wird.*
 - 4) Während des Heizvorgangs der Bügelsohle tritt nur wenig Dampf aus der Bügelsohle aus, und dieses Phänomen dauert etwa 3 Sekunden. Dies ist normal.*
 - 5) Nach dem ersten Gebrauch verbleibt im Dampfschlauch etwas Kondenswasser. Bei der zweiten Benutzung wird das Kondenswasser zusammen mit dem Dampf zu Beginn der Dampfabgabe ausgestoßen. Dieses Phänomen dauert einige Sekunden an. Das ist normal.*
3. Das Gerät schaltet sich automatisch ab, wenn alle Kontrollanzeigen fünf Mal blinken und fünf Pieptöne nach dem Einschalten zu hören sind. Wenden Sie sich in diesem Fall an den Kundendienst.

GEBRAUCH IHRER DAMPFBÜGELSTATION

Das Gerät verfügt über zwei Bügelmodi. Sie können trocken bügeln oder mit Dampf bügeln; Einzelheiten dazu finden Sie im Folgenden:

Trockenbügeln

1. Stellen Sie die Basis auf eine stabile, ebene Fläche und legen Sie das Bügeleisen auf die wärmeisolierende Ablage des Gerätes.
2. Schließen Sie das Gerät an das Stromnetz an und drücken Sie die Einschalttaste.
3. Drehen Sie den Temperaturregler auf die gewünschte Einstellung, die vom Stoff des Kleidungsstücks abhängt. Das Bügeleisen beginnt mit dem Aufheizen und die Temperaturanzeige leuchtet während des Aufheizens konstant. Siehe „**BÜGEL-TIPPS**“.
4. Die Temperaturanzeige erlischt, wenn die gewählte Temperatur erreicht ist. Sie können

jetzt mit dem Bügeln beginnen.

WARNUNG: Berühren Sie niemals die heiße Bügelsohle, bevor diese abgekühlt ist!

Dampfbügeln

1. Stellen Sie die Dampfbügelstation auf eine stabile und ebene Oberfläche.
2. Greifen Sie den Griff des Wassertanks, um den Wassertank zu entfernen, und füllen Sie ihn dann durch die Einfüllöffnung mit Wasser. Verwenden Sie am besten gereinigtes Wasser mit weniger Kalk. Danach setzen Sie den Wassertank wieder ordnungsgemäß ein. Die maximale Kapazität des Wassertanks beträgt 1,7 l, der Wasserstand darf die MAX-Markierung nicht überschreiten.
2. Stellen Sie das Bügeleisen auf die wärmeisolierte Dampfstation.
3. Schließen Sie das Gerät an die Stromquelle an, drücken Sie die Einschalttaste, und die voreingestellte Anzeige für niedrige Dampfmenge blinkt. Es stehen drei Betriebsarten zur Verfügung: niedrige, mittlere und hohe Dampfmenge. Sie können die gewünschte Dampfmenge für jedes Kleidungsstück entsprechend Ihren Anforderungen auswählen. Vergewissern Sie sich, dass sich genügend Wasser im Tank befindet.
4. Drehen Sie den Temperaturregler auf die gewünschte Einstellung, die sich nach dem Stoff des Kleidungsstücks richtet. Das Bügeleisen beginnt mit dem Aufheizen und die Temperaturanzeige leuchtet während des Aufheizens konstant. Beachten Sie bei der Wahl der Temperatur die "BÜGEL-TIPPS" und die "ZUSATZTABELLE" wie unten beschrieben.
5. Nach einigen Minuten erlischt die Temperaturanzeige und zeigt damit an, dass die Bügelsohle die gewählte Temperatur erreicht hat. . Wenn die Anzeige der gewählten Dampfmenge nicht mehr blinkt, sondern leuchtet, ist das Bügeleisen zum Bügeln mit Dampf bereit.
6. Drücken Sie den Dampfauslöser mit etwas Kraft, der Dampf wird kontinuierlich aus der Bügelsohle ausgestoßen und Sie können das Kleidungsstück mit Dampf bügeln.
7. Drücken Sie zweimal hintereinander schnell auf den Dampfauslöser, um einen Dampfstoß zu erzeugen, falls Sie eine starke Falte entfernen müssen.

Hinweis: Während des Dampfausstoßes kann tropfendes Wasser austreten, falls die Temperatur der Bügeleisensohle der zweiten Stufe oder niedriger entspricht. Das ist normal.

Achtung:

1) Berühren Sie niemals die heiße Bügelsohle, bevor diese abgekühlt ist!

2) Den Dampf niemals auf Personen richten!

3) Aktivieren Sie den Dampfauslöser nicht, wenn das Bügeleisen auf der Dampfstation steht, um direkten Kontakt mit dem Dampf zu vermeiden.

8. Drücken Sie nach dem Bügeln die Einschalttaste länger als 2 Sekunden, das Gerät schaltet sich dann ab und alle Anzeigen erlöschen. Ziehen Sie den Stecker aus der Steckdose. Die Bügelsohle ist jetzt noch heiß, berühren Sie sie nicht mit der Hand, sondern stellen Sie sie auf die Thermoablage, bis sie vollständig abgekühlt ist.

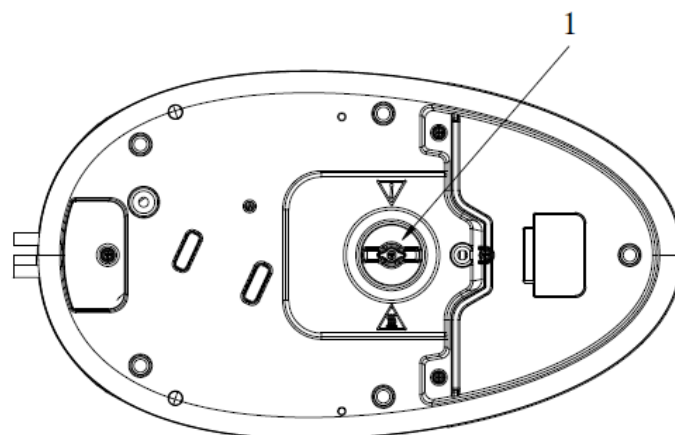
SELBSTREINIGUNGSFUNKTION

Wenn die Entkalkungsanzeige aufleuchtet, bedeutet dies, dass der Dampferzeuger aufgrund der Mineralablagerungen, die sich zu einer gewissen Menge angesammelt haben, gereinigt werden muss. Wenn das System bestätigt, dass die Mineralablagerungen entfernt wurden, erlischt die Entkalkungsanzeige.

Vergewissern Sie sich vor der Reinigung, dass die Entkalkungsanzeige dauerhaft leuchtet, ziehen Sie dann den Netzstecker des Geräts und lassen Sie es abkühlen.

1. Entfernen Sie den Wassertank, klappen Sie den Gerätesockel hoch und stellen Sie ihn auf eine ebene Fläche. Drehen Sie dann den Knopf an der Unterseite des Gerätes gegen den Uhrzeigersinn, um ihn abzunehmen.

WARNUNG: Um das Risiko von Verbrühungen zu vermeiden, vergewissern Sie sich, dass das Gerät vollständig abgekühlt ist, bevor Sie den Knopf (Position 1 auf dem Bild unten) entfernen.



2. Montieren Sie den Ablaufstutzen in die Ablaufleitung.

3. Stellen Sie die Dampfstation auf einen geeigneten und feststehenden Tisch, legen Sie den Silikonschlauch in einen Behälter, füllen Sie den Wassertank mit Wasser und stellen Sie ihn wieder auf (siehe Abb.4). Achten Sie darauf, dass das Gerät stabil steht.

Nummer	Beschreibung
1	Silikonschlauch
2	Behälter
3	Feststehender Tisch

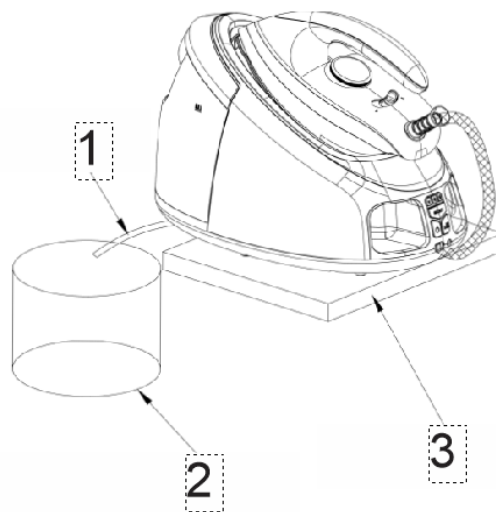


Abb. 4

4. Schließen Sie das Gerät an die Stromquelle an, drücken Sie die Einschalttaste, halten Sie dann die Entkalkungstaste und den Dampfauslöser gleichzeitig ca. 1 Sekunde lang gedrückt, dann ertönt ein Piepton und die Entkalkungsanzeige beginnt zu blinken, dann beginnt das Gerät, den Dampferzeuger zu reinigen, und der Dampf und der Kalk fließen aus dem Dampferzeuger heraus, ca. 3 Minuten später ertönt ein Piepton, die Entkalkungsanzeige erlischt und das Gerät schaltet sich automatisch aus.

HINWEIS: Berühren Sie den Behälter während der Reinigung nicht und kommen Sie ihm nicht zu nahe, um Verbrühungen zu vermeiden.

5. Ziehen Sie den Netzstecker und entfernen Sie den Wassertank, stellen Sie das Bügeleisen auf eine ebene Fläche, klappen Sie den Gerätesockel hoch und stellen Sie ihn auf eine ebene Fläche, drehen Sie den Drehknopf im Uhrzeigersinn, um ihn festzuziehen, und bringen Sie den Abflusstutzen gut in Position. Zum Schluss klappen Sie die Dampfstation hoch und stellen das Bügeleisen auf die wärmeisolierende Halterung der Dampfstation.

REINIGUNG UND PFLEGE

Vor dem Reinigen den Netzstecker ziehen und das Gerät abkühlen lassen.

1. Wischen Sie Rückstände und andere Ablagerungen auf der Bügelsohle mit einem feuchten Tuch oder einem nicht scheuernden (flüssigen) Reinigungsmittel ab.

HINWEIS: Keine chemischen, Stahl-, Holz- oder Scheuermittel zum Abkratzen der Bügelsohle verwenden.

2. Reinigen Sie die Oberseite des Bügeleisens mit einem weichen, feuchten Tuch. Wischen Sie Wassertropfen auf der Dampfstation und der Wärmeisolierung mit einem trockenen Tuch ab.

3. Führen Sie die Reinigung durch, wie unter "**SELBSTREINIGUNGS FUNKTION**" beschrieben, wenn die Entkalkungsanzeige aufleuchtet.

4. Wenn Sie das Gerät längere Zeit nicht benutzen, lassen Sie das Wasser aus dem Tank ab, drehen Sie den Temperaturregler auf die niedrigste Einstellung, stellen Sie das Bügeleisen auf die wärmeisolierende Unterlage und schieben Sie den Bügeleisenriegel in die Verriegelungsposition, um das Bügeleisen zu sichern.

Hinweis: Nachdem das Bügeleisen ordnungsgemäß auf der Unterlage verriegelt wurde, kann die gesamte Dampfstation am Griff des Bügeleisens angehoben werden.

5. Wenn Sie das Gerät nicht benutzen, können Sie den Dampfschlauch und das Netzkabel gut zusammenrollen und in den entsprechenden Staufächern verstauen.

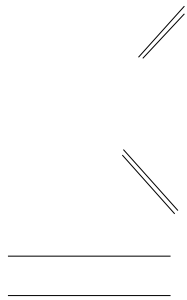
BÜGEL-TIPPS

-Prüfen Sie immer zuerst, ob das Kleidungsstück mit einem Bügeletikett versehen ist. Folgen Sie immer dieser Bügelanleitung.

- Das Bügeleisen heizt sich schneller auf, als es abkühlt. Beginnen Sie daher mit dem Bügeln der Artikel, die die niedrigste Temperatur benötigen, wie z. B. Artikel aus Kunstfasern.

- Wenn der Stoff aus verschiedenen Fasern besteht, muss immer die niedrigste Bügeltemperatur gewählt werden, um die Zusammensetzung der Fasern zu bügeln.
- Kunstfasern und Seide sollten auf der Innenseite gebügelt werden, damit sie nicht glänzen.
- Samt und andere Textilien, die schnell glänzen, sollten mit leichtem Druck in eine Richtung gebügelt werden. Das Bügeleisen immer in Bewegung halten.
- Textilien aus reiner Wolle (100% Wolle) können mit einem Dampfbügeleisen gebügelt werden. Stellen Sie den Temperaturregler vorzugsweise auf die dritte Stufe und verwenden Sie ein trockenes Tuch als Unterlage.
- Niemals über Reißverschlüsse oder Nieten im Stoff bügeln. Dies kann die Bügelsohle beschädigen. Bügeln Sie um diese Teile herum.

UMWELTFREUNDLICHE ENTSORGUNG



Sie können dazu beitragen, Ihre Umwelt zu schützen!

Bitte beachten Sie die lokalen Bestimmungen: bringen Sie nicht mehr funktionierende Elektrogeräte zu einer entsprechenden Entsorgungsstelle.

MISES EN GARDE IMPORTANTES

Avant d'utiliser un appareil électrique, il est important de toujours respecter les mesures de sécurité élémentaires, y compris les suivantes :

Lire toutes les instructions.

1. Avant utilisation, vérifiez que la tension de la prise murale correspond à celle indiquée sur la plaque signalétique.
2. N'utilisez pas l'appareil si le cordon principal, la fiche, le témoin lumineux ou l'appareil lui-même présente des dommages visibles, ou si l'appareil est tombé ou fuit. Apportez-le au centre de service agréé la plus proche ou à un technicien qualifié pour examen et réparation afin d'éviter tout danger.
3. Si le cordon d'alimentation est endommagé, il doit être remplacé par le fabricant, son agent de service ou des personnes de qualification similaire afin d'éviter tout danger.
4. Ne laissez pas le cordon entrer en contact avec la semelle lorsque celle-ci est chaude.
5. Ne touchez jamais des pièces métalliques chaudes, de l'eau chaude ou de la vapeur, car cela pourrait occasionner des brûlures.
6. Ne laissez pas le cordon pendre d'une table ou au-dessus d'une surface chaude.
7. Pour vous protéger contre un risque de choc électrique, ne plongez jamais le fer dans l'eau ou d'autres liquides. Si cela se produit, n'utilisez plus cet appareil ; éliminez-le de manière appropriée.
8. Ne laissez pas le fer sans surveillance lorsqu'il est raccordé à l'alimentation électrique ou sur une planche à repasser.
9. Posez et utilisez toujours l'appareil sur une surface stable, plane et horizontale.
10. L'utilisation d'accessoires non recommandés par le fabricant peut blesser des personnes ou endommager l'appareil.
11. En posant le fer à repasser sur son support, assurez-vous que la surface sur laquelle le support est placé est stable.
12. Le bouton au bas de la base de l'unité doit toujours être bien fermé pendant l'utilisation.
13. Ne remplissez jamais le réservoir d'eau chaude, de parfum, de vinaigre, d'amidon, de détartrant, d'assouplissant ou d'un autre réactif chimique.
14. Débranchez la prise lorsqu'elle n'est pas utilisée avant de remplir d'eau ou de nettoyer.
15. N'utilisez PAS l'appareil à d'autres fins que celles prévues.
16. Les enfants à partir de 8 ans et les personnes disposant de capacités physiques,

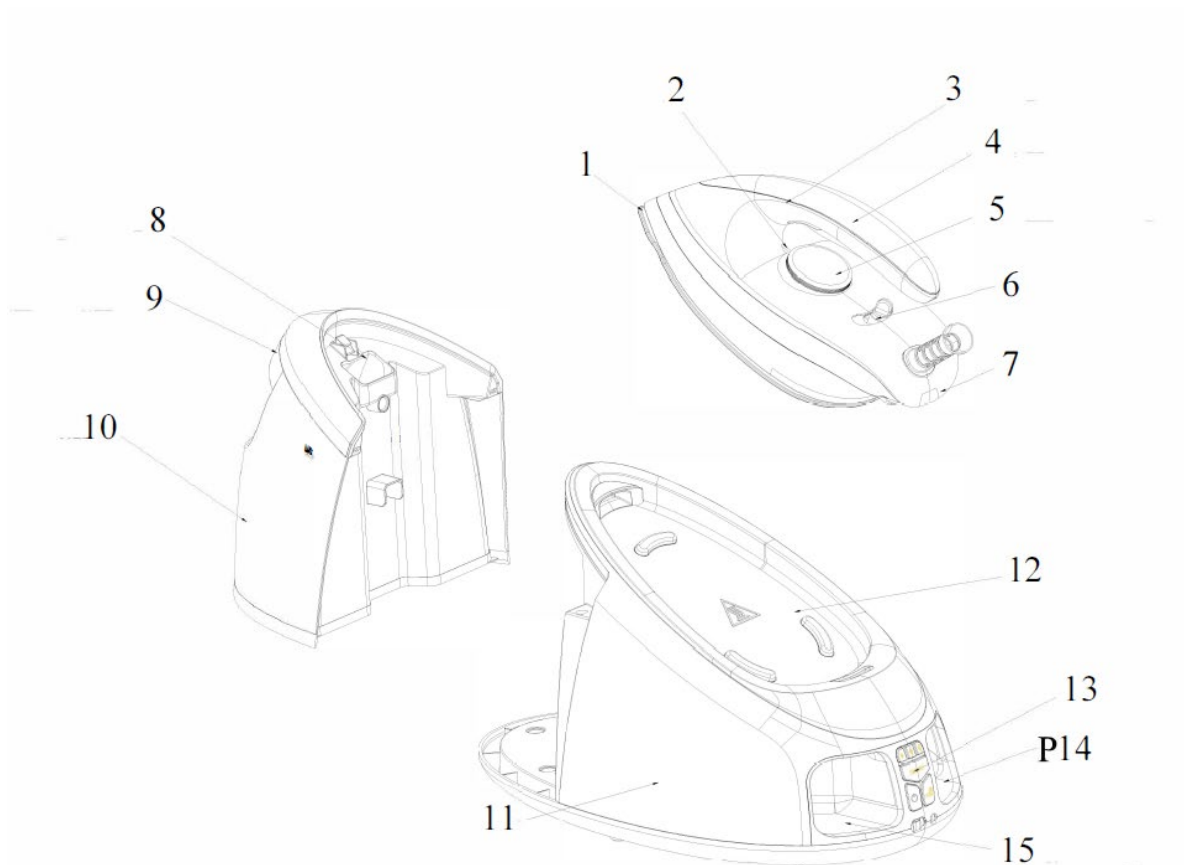
sensorielles ou mentales réduites, ou manquant d'expérience et de connaissances, peuvent utiliser cet appareil sous surveillance, à condition d'avoir reçu des instructions sur la manière de s'en servir en toute sécurité et d'avoir compris les risques auxquels ils s'exposent.

17. Les enfants ne doivent pas jouer avec l'appareil. Les enfants ne doivent pas non plus procéder sans surveillance à son nettoyage et à son entretien.
18. Le fer à repasser ne doit pas être utilisé s'il a chuté, s'il présente des dommages apparents ou fuit.
19. Tenez l'appareil et son cordon hors de la portée des enfants de moins de 8 ans lorsqu'il est sous tension ou en cours de refroidissement.
20. Ne touchez jamais la semelle lorsqu'elle est chaude ; attendez que le fer à repasser ait complètement refroidi et qu'il ait été débranché du secteur.
21. Ne l'utilisez pas en plein air.
22. Conservez ces instructions.

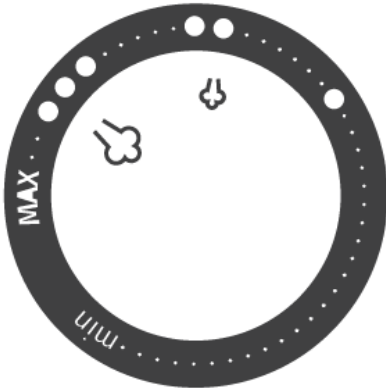
USAGE DOMESTIQUE UNIQUEMENT

CONNAÎTRE VOTRE CENTRALE VAPEUR

Nombre	Description
1	Semelle
2	Témoin de température
3	Gâchette vapeur
4	Poignée
5	Sélecteur de température
6	Verrouillage du fer à repasser sur la station
7	Fer à repasser
8	Orifice de remplissage
9	Poignée du réservoir d'eau
10	Réservoir d'eau
11	Base de l'appareil
12	Support d'isolation thermique
13	Panneau de commande
14	Espace de rangement du cordon d'alimentation
15	Espace de rangement du cordon vapeur



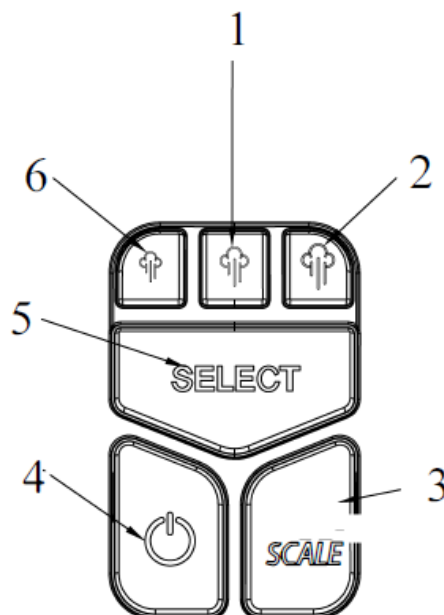
CADRAN DE TEMPÉRATURE



●	Soie 80<T<120
● ●	Laine 115<T<160
● ● ●	Coton 170<T<215
MAX	Maximum 175<T<225

PANNEAU DE COMMANDE

Nombre	Description
1	Vapeur moyenne
2	Vapeur élevée
3	Bouton de détartrage
4	Touche Marche
5	Contrôle du débit de vapeur
6	Vapeur faible



Orifice de remplissage

Remplissez le réservoir avec de l'eau à travers l'orifice prévu à cet effet. Assurez-vous que l'eau ne dépasse pas la marque MAX du réservoir d'eau.

Touche Marche

Branchez l'appareil et appuyez sur le bouton d'alimentation ; le témoin d'alimentation s'allume, le débit de vapeur est, par défaut, faible et son témoin clignote. Appuyez sur le bouton d'alimentation et maintenez-le enfoncé pendant plus de 2 secondes pour couper l'appareil.

Bouton de contrôle du débit de vapeur

Le débit de vapeur peut être réglé sur faible, moyen ou élevé à l'aide du bouton de contrôle du débit de vapeur. Une fois le débit sélectionné, son témoin clignote, puis s'allume en continu quand le préchauffage est terminé, ce qui signifie que la vapeur est prête à être utilisée. Le témoin du débit de vapeur sélectionné clignote lorsque le débit de vapeur passe d'un réglage bas à un réglage haut, tandis qu'il s'allume en continu lorsque le débit de vapeur passe d'un réglage haut à un réglage bas.



Cadran de température

Tournez le cadran pour régler la température de repassage en fonction du vêtement à repasser.

Témoin de température

L'appareil chauffe tant qu'il n'a pas atteint la température sélectionnée. Le témoin de température s'allume lorsque l'appareil chauffe. Une fois que l'appareil a atteint la température sélectionnée, le témoin de température s'éteint. Le témoin de température s'active et se désactive lorsque le fer à repasser maintient la température sélectionnée pendant le repassage.

Verrouillage du fer à repasser

Posez le fer sur le support d'isolation thermique de la base de l'unité, puis mettez le bouton de verrouillage du fer en position «  » pour verrouiller le fer sur la base de l'unité. Pour déverrouiller, mettez le bouton de verrouillage du fer sur la position «  » ; vous pouvez alors retirer le fer à repasser pour repasser les vêtements (voir Fig. 1). Vous pouvez soulever l'ensemble de la centrale vapeur à l'aide de la poignée du fer une fois celui-ci correctement verrouillé sur la base de l'unité (voir Fig. 2).

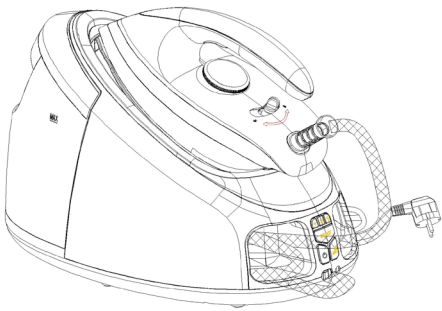


Fig. 1

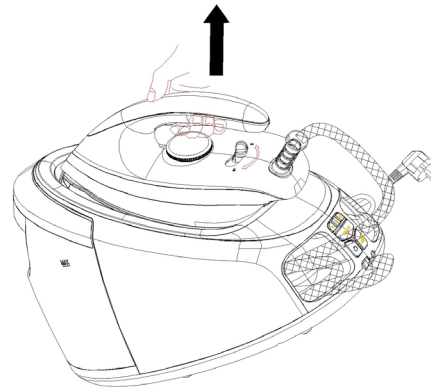


Fig. 2

Gâchette vapeur

Après avoir appuyé sur le bouton d'alimentation et choisi le débit de vapeur souhaité, la vapeur peut être utilisée pour le repassage lorsque le témoin de débit de vapeur arrête de clignoter et s'allume en continu. À ce moment-là, appuyez fermement sur la gâchette vapeur pour pulvériser de la vapeur en continu. Lorsque vous relâchez la gâchette vapeur, l'appareil ne peut être utilisé que pour un repassage à sec sans vapeur.

Jet de vapeur

Appuyez rapidement deux fois sur la gâchette vapeur pour produire un jet de vapeur, qui durera 6 minutes (voir Fig. 3). Si vous souhaitez arrêter la production de vapeur pendant le fonctionnement, il suffit d'appuyer une seule fois sur la gâchette vapeur ou sur un bouton du panneau de commande.

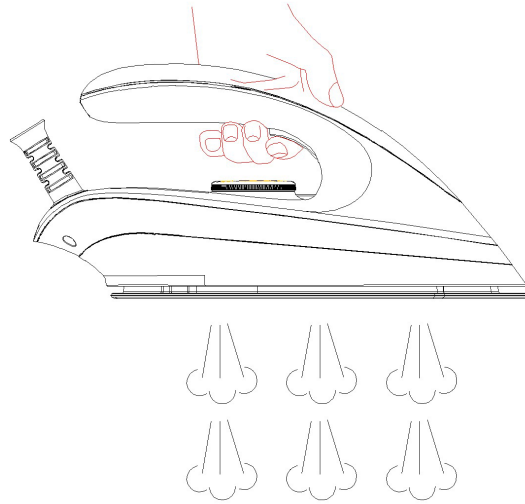


Fig. 3

Témoin de détartrage

Si le témoin de détartrage s'allume, cela signifie que le générateur de vapeur doit être nettoyé en raison des dépôts minéraux qui s'accumulent à l'intérieur. Lorsque le système confirme la suppression des dépôts minéraux, le témoin s'éteint.

Espace de rangement du cordon d'alimentation et du tuyau d'alimentation vapeur

Lorsqu'ils ne sont pas utilisés, le tuyau d'alimentation vapeur et le cordon d'alimentation peuvent être pliés et stockés dans leurs espaces de rangement respectifs.

Coupure automatique de l'alimentation

L'appareil s'éteint automatiquement si la fonction « Vapeur » ou les boutons du panneau de commande n'ont pas été utilisés dans les 10 minutes.

AVANT LA PREMIÈRE UTILISATION

1. Retirez tout autocollant ou film de protection de la semelle.
2. Remplissez le réservoir avec de l'eau et faites chauffer le fer à repasser à la température maximale. Repassez sur un chiffon humide pendant plusieurs minutes afin d'éliminer tout résidu sur la semelle selon la section « Repassage à la vapeur ».

REMARQUE :

1) Il est normal que l'appareil dégage une odeur étrange lors de la première

utilisation. Celle-ci s'estompera très rapidement.

2) Il est possible que des particules sortent de la semelle lors de la première utilisation. C'est normal ; ces particules sont inoffensives et disparaissent très rapidement.

3) Lorsque vous activez la fonction « Vapeur », l'appareil peut produire un bruit de pompage. C'est normal ; le bruit vous indique que l'eau est pompée dans le générateur de vapeur.

4) Pendant le préchauffage, un peu de vapeur s'échappe automatiquement de la semelle et ce phénomène se poursuit pendant environ 3 secondes. Ceci est normal.

5) Il y aura un peu d'eau de condensation dans le tuyau d'alimentation vapeur après la première utilisation.

Mais lors de la deuxième utilisation, cette eau sera pulvérisée en même temps que la vapeur commence à être libérée. Ce phénomène se poursuit pendant plusieurs secondes. Ceci est normal.

3. L'appareil s'éteint automatiquement si tous les témoins clignotent cinq fois et que cinq bips sonores sont entendus après la mise sous tension. Dans ce cas, veuillez contacter le service après-vente.

UTILISATION DE VOTRE CENTRALE VAPEUR

L'appareil a deux modes de repassage. Vous pouvez utiliser le repassage à sec ou le repassage vapeur. Pour plus de détails, voir ci-dessous :

Repassage à sec

1. Posez la base de l'unité sur une surface stable et plane, puis posez le fer sur le support d'isolation thermique de la base de l'unité.
2. Branchez l'appareil sur une prise de courant et appuyez sur le bouton d'alimentation ; le témoin d'alimentation s'allume.
3. Tournez le cadran de température jusqu'à la température souhaitée, qui dépend du tissu du vêtement à repasser. Le fer à repasser commence à chauffer et le témoin de température reste allumé pendant le chauffage. Reportez-vous à la section « **CONSEILS DE REPASSAGE** ».
4. Le témoin de température s'éteint lorsque la température sélectionnée est atteinte. Vous pouvez commencer à repasser.

AVERTISSEMENT : ne touchez jamais la semelle lorsqu'elle est chaude. Laissez-la refroidir !

Repassage à la vapeur

1. Posez la base de l'unité sur une surface stable et plane.
2. Saisissez la poignée du réservoir d'eau pour retirer le réservoir d'eau, puis remplissez-le avec de l'eau à travers l'orifice de remplissage. Nous vous recommandons d'utiliser de l'eau purifiée avec moins de particules de calcium. Puis remettez le réservoir d'eau en place. La capacité maximale du réservoir d'eau est de 1,7 L. le niveau d'eau ne doit pas dépasser la marque MAX.
2. Posez le fer sur le support d'isolation thermique de la base de l'unité.
3. Branchez l'appareil sur une prise de courant, puis appuyez sur le bouton d'alimentation. Le témoin du débit de vapeur « faible » par défaut clignote. Il existe trois débits : faible, moyen et élevé ; vous pouvez sélectionner le débit de vapeur souhaité pour chaque vêtement en fonction de vos besoins. Assurez-vous qu'il y a suffisamment d'eau dans le réservoir.
4. Tournez le cadran de température jusqu'à la température souhaitée, qui dépend du tissu du vêtement à repasser. Le fer à repasser commence à chauffer et le témoin de température reste allumé pendant le chauffage. Reportez-vous aux sections « **CONSEILS DE REPASSAGE** » et « **TABLEAU SUPPLÉMENTAIRE** » ci-après pour sélectionner la température.
5. Après quelques minutes, le témoin de température s'éteint ; cela indique que la semelle a atteint la température sélectionnée. Lorsque le témoin du débit de vapeur sélectionné cesse de clignoter et s'allume, cela signifie que le fer est prêt pour le repassage à la vapeur.
6. Appuyez fermement sur la gâchette vapeur pour pulvériser de la vapeur en continu sur le vêtement à repasser.
7. Appuyez rapidement sur la gâchette vapeur deux fois pour produire un jet de vapeur et éliminer les plis tenaces.

Remarque : lorsque la température de la semelle est égale ou inférieure au deuxième réglage, des gouttes d'eau peuvent apparaître pendant la pulvérisation. Ceci est normal.

Attention :

- 1) ***Ne touchez jamais la semelle lorsqu'elle est chaude. Laissez-la refroidir !***
- 2) ***Ne dirigez jamais la vapeur vers les personnes !***

3) N'activez pas la gâchette vapeur lorsque le fer est placé sur la base de l'appareil pour éviter d'être ébouillanté par la vapeur.

8. Après le repassage, appuyez sur le bouton d'alimentation pendant plus de 2 secondes ; l'appareil s'arrête et tous les témoins s'éteignent. Retirez la fiche de la prise murale. La semelle est encore chaude, ne la touchez jamais avec la main. Placez l'appareil sur le support d'isolation thermique jusqu'à ce qu'elle refroidisse complètement.

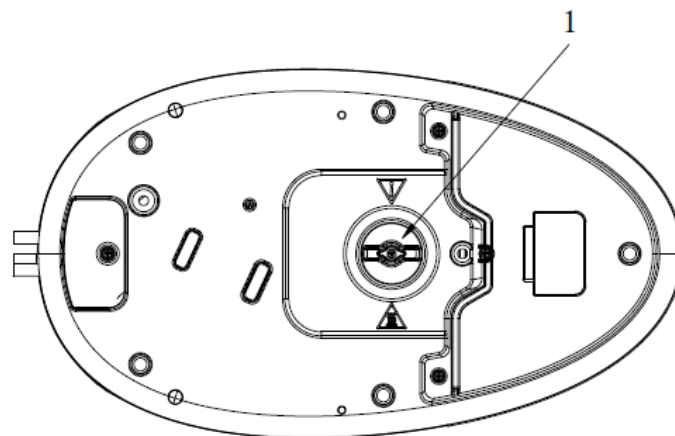
FONCTION AUTONETTOYAGE

Si le « témoin de détartrage » s'allume, cela signifie que le générateur de vapeur doit être nettoyé en raison des dépôts minéraux qui s'accumulent à l'intérieur. Lorsque le système confirme la suppression des dépôts minéraux, le « témoin de détartrage » s'éteint.

Avant le nettoyage, assurez-vous que le « témoin de détartrage » s'allume correctement, puis débranchez l'appareil et faites-le refroidir.

1. Retirez le réservoir d'eau, retournez la base de l'unité et placez-la sur une surface plane, puis tournez le bouton dans le sens inverse des aiguilles d'une montre au bas de la base de l'unité pour le retirer.

AVERTISSEMENT : pour éviter un risque d'échaudure, assurez-vous que l'appareil a complètement refroidi avant de retirer le bouton (position 1 sur l'image ci-dessous).



2. Installez le raccord de vidange dans le tuyau de vidange.

3. Posez la base de l'unité sur une table appropriée et fixe, puis mettez le tube en silicone dans un récipient. Ensuite, remplissez le réservoir d'eau avec de l'eau et remettez-le en place (voir Fig. 4). Assurez-vous que l'appareil repose de manière stable.

Nombre	Description
1	Tube en silicone
2	Bac
3	Table fixe

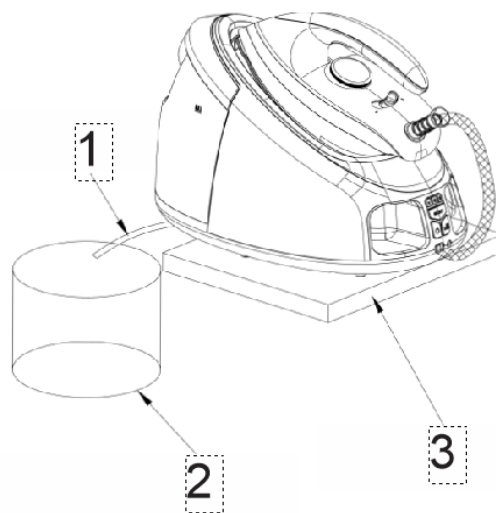


Fig.4

4. Branchez l'appareil sur la prise de courant, appuyez sur le bouton d'alimentation, puis appuyez simultanément et sans relâcher sur le « Bouton de détartrage » et la « Gâchette vapeur » pendant environ 1 seconde. À ce moment-là, un bip retentit et le témoin de détartrage commence à clignoter. L'appareil commence ensuite à nettoyer le générateur de vapeur, et la vapeur et la calamine s'écoulent du générateur. Au bout de 3 minutes environ, un bip retentit, le témoin de détartrage s'éteint et l'appareil s'arrête automatiquement.

REMARQUE : ne touchez pas et ne vous approchez pas du bac pendant le nettoyage pour éviter d'être ébouillanté.

5. Débranchez et retirez le réservoir d'eau, puis mettez le fer à repasser sur une surface plane. Ensuite, retournez la base de l'unité et posez-la sur une surface plane, tournez le bouton dans le sens des aiguilles d'une montre pour le serrer et mettez le raccord de vidange en position. Enfin, retournez la base de l'unité et posez le fer sur le support d'isolation thermique de la base de l'unité.

NETTOYAGE ET ENTRETIEN

Avant le nettoyage, débranchez d'abord la fiche électrique et laissez l'appareil refroidir.

1. Essuyez les résidus et tout autre dépôt sur la semelle avec un chiffon humide ou un nettoyant (liquide) non abrasif.

REMARQUE : n'utilisez pas de nettoyeurs chimiques, pour acier, en bois ou abrasifs pour gratter la semelle.

2. Nettoyez la partie supérieure du fer à repasser avec un chiffon doux et humide. Essuyez les gouttes d'eau se trouvant sur la base de l'unité et le support d'isolation thermique avec un chiffon sec.

3. Effectuez l'autonettoyage en suivant la procédure décrite dans « **FONCTION AUTONETTOYAGE** » lorsque le « témoin de détartrage » s'allume.

4. Lorsque vous n'utilisez pas l'appareil pendant une longue période, videz l'eau du réservoir, tournez le cadran de température jusqu'à la position minimale et stockez le fer sur le coussin isolant thermique, puis verrouillez le fer sur la station.

Remarque : vous pouvez soulever l'ensemble de la centrale vapeur à l'aide de la poignée du fer une fois celui-ci correctement verrouillé sur la base de l'unité.

5. Lorsqu'ils ne sont pas utilisés, le tuyau d'alimentation vapeur et le cordon d'alimentation peuvent être pliés et stockés dans leurs espaces de rangement respectifs. Rangez l'appareil dans un endroit approprié et hors de la portée des enfants.

CONSEILS DE REPASSAGE

- Vérifiez toujours en premier si une étiquette avec des instructions de repassage est attachée à l'article. Suivez ces instructions de repassage dans tous les cas.

Le fer chauffe plus rapidement qu'il ne refroidit ; par conséquent, commencez à repasser les

articles nécessitant la température la plus basse, comme ceux en fibres synthétiques.

- Si le tissu est composé de différents types de fibres, vous devez toujours choisir la température de repassage la plus basse pour repasser ces fibres.

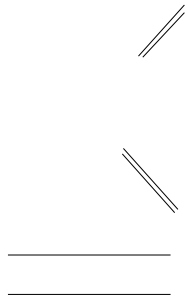
- Les tissus en fibres synthétiques et en soie doivent être repassés sur leur côté intérieur pour éviter qu'ils brillent.

- Le velours et les autres textures qui deviennent rapidement brillants doivent être repassés dans un seul sens, en appliquant une légère pression. Ne cessez jamais de bouger le fer.

- Les tissus en laine pure (100 % laine) peuvent être repassés en mode vapeur. Réglez de préférence le cadran de température sur la troisième position et utilisez un chiffon sec comme tapis.

- Ne repassez jamais une fermeture Éclair, rivetée dans le vêtement. Cela endommagera la semelle. Passez le fer autour dans un cas comme celui-ci.

ÉLIMINATION DANS LE RESPECT DE L'ENVIRONNEMENT



Vous pouvez contribuer à la protection de l'environnement !

N'oubliez pas de respecter les réglementations locales : remettez les équipements électriques qui ne fonctionnent pas dans un centre d'élimination des déchets approprié.

PRECAUZIONI IMPORTANTI

Prima di utilizzare l'elettrodomestico, è necessario seguire sempre le precauzioni di base, tra cui le seguenti:

Leggere tutte le istruzioni.

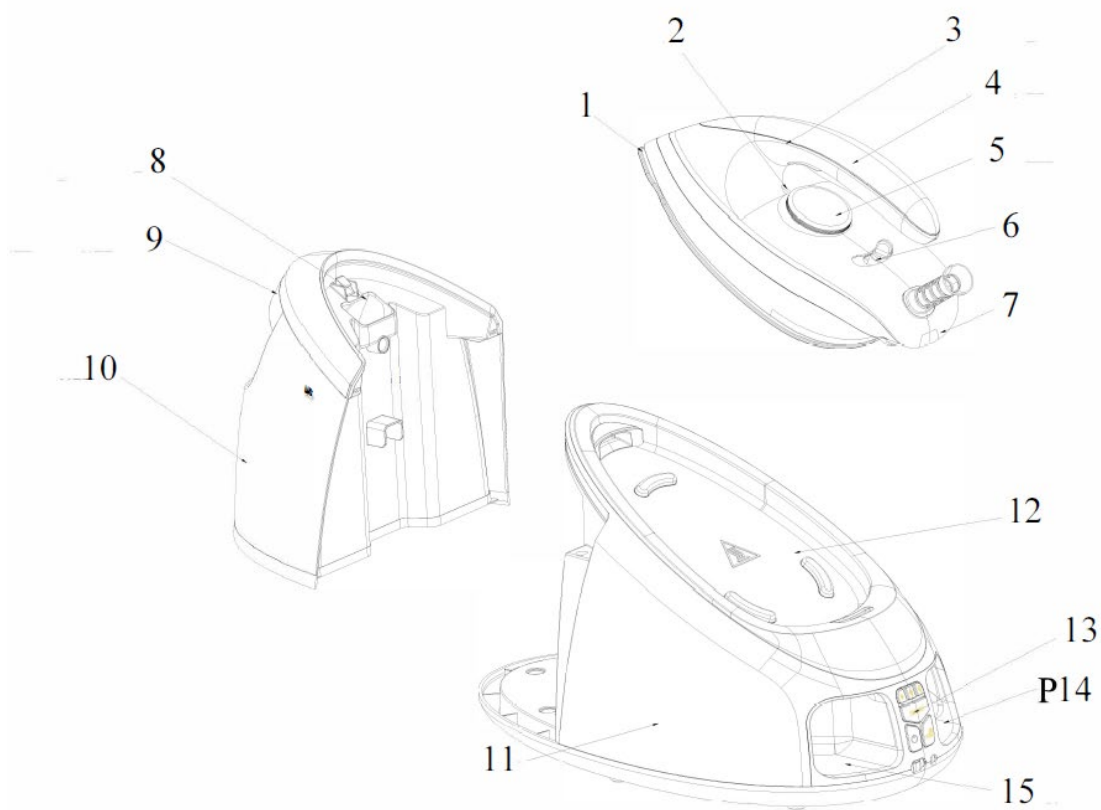
1. Prima dell'utilizzo verificare che la tensione della presa a muro corrisponda a quella riportata sulla targhetta.
2. Non utilizzare l'elettrodomestico se il cavo di alimentazione, la spina, la luce o l'elettrodomestico stesso presentano danni visibili o se l'elettrodomestico è caduto o presenta perdite. Portarlo al centro di assistenza autorizzato più vicino o a un tecnico qualificato per l'esame e la riparazione al fine di evitare rischi.
3. Se il cavo di alimentazione è danneggiato, deve essere sostituito dal produttore, da un suo agente di assistenza o da personale qualificato per evitare rischi.
4. Non lasciare che il cavo entri in contatto con la piastra quando è calda.
5. Il contatto con parti metalliche calde, acqua calda o vapore può provocare ustioni.
6. Non lasciare che il cavo penda dal bordo del tavolo o da una superficie calda.
7. Per proteggersi dal rischio di scosse elettriche, non immergere mai il ferro da stiro in acqua o altri liquidi. In tal caso, non utilizzare più questo elettrodomestico; smaltire l'elettrodomestico.
8. Non lasciare il ferro da stiro incustodito mentre è collegato alla rete elettrica o su un asse da stiro.
9. Posizionare o utilizzare sempre l'elettrodomestico su una superficie stabile, piana e orizzontale.
10. L'uso di accessori non raccomandati dal produttore può causare lesioni alle persone o danni all'elettrodomestico.
11. Quando si posiziona il ferro da stiro sul supporto, assicurarsi che la superficie su cui è posizionato il supporto sia stabile.
12. La manopola nella parte inferiore della base dell'unità deve essere sempre ben chiusa durante l'uso.
13. Non riempire mai il serbatoio dell'acqua con acqua calda, profumo, aceto, amido, anticalcare, ammorbidente o altri reagenti chimici.
14. Scollegare la spina dalla presa di corrente quando non è in uso prima di riempire l'acqua o di pulire.

15. Non utilizzare l'elettrodomestico per un uso diverso da quello previsto.
16. Questo elettrodomestico può essere utilizzato da bambini di età pari o superiore a 8 anni e da persone con ridotte capacità fisiche, sensoriali o mentali o prive di esperienza e conoscenza, se sono sorvegliati o istruiti sull'uso dell'elettrodomestico in modo adeguato e comprendono i rischi connessi.
17. I bambini non devono giocare con l'elettrodomestico. La pulizia e la manutenzione da parte dell'utente non devono essere eseguite da bambini senza supervisione.
18. Il ferro da stiro non deve essere utilizzato se è caduto, se vi sono segni evidenti di danneggiamento o se presenta delle perdite.
19. Tenere il ferro da stiro e il suo cavo fuori dalla portata dei bambini di età inferiore agli 8 anni quando è sotto tensione o in fase di raffreddamento.
20. Non toccare mai la piastra calda a meno che il ferro da stiro non sia completamente raffreddato e scollegato.
21. Non utilizzare all'aperto.
22. Conservare queste istruzioni.

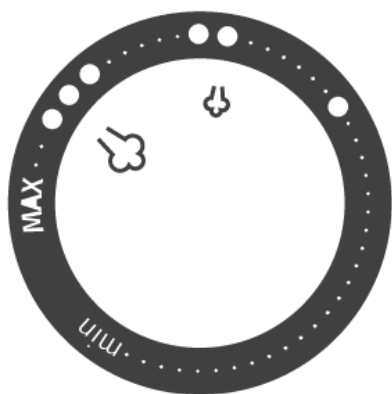
SOLO PER USO DOMESTICO

CONOSCILA TUA STAZIONE DI STIRATURA

Numero	Descrizione
1	Piastra
2	Indicatore di temperatura
3	Pulsante del vapore
4	Manico
5	Manopola della temperatura
6	Blocco del ferro da stiro alla stazione
7	Ferro da stiro
8	Apertura di riempimento
9	Maniglia serbatoio acqua
10	Serbatoio dell'acqua
11	Base dell'unità
12	Supporto per isolamento termico
13	Pannello di controllo
14	Conservazione del cavo di alimentazione
15	Conservazione del cavo del vapore



QUADRANTE DELLA TEMPERATURA

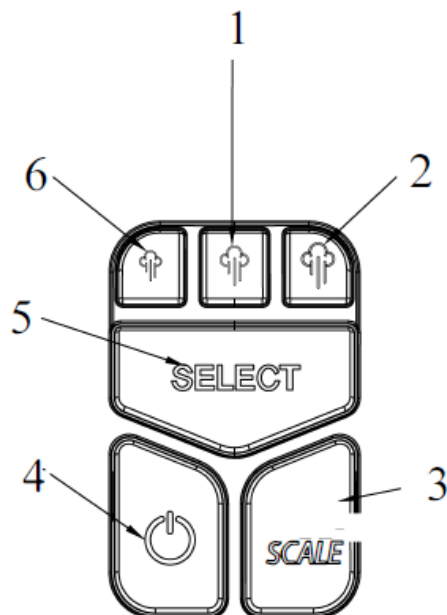


●	Seta 80<T<120
●●	Lana 115<T<160
●●●	Cotone 170<T<215
MAX	Massimo 175<T<225

PANNELLO DI CONTROLLO

Numero	Descrizione
1	Vapore medio
2	Vapore alto
3	Pulsante di decalcificazione

4	Pulsante di accensione
5	Controllo del grado di vapore
6	Vapore basso



Apertura di riempimento

Riempire il serbatoio dell'acqua con acqua attraverso l'apertura di riempimento del serbatoio dell'acqua. Assicurarsi che l'acqua non superi il segno MAX del serbatoio dell'acqua.

Pulsante di accensione

Collegare l'elettrodomestico e premere il pulsante di accensione, l'indicatore di alimentazione si illuminerà, il grado di vapore basso è considerato predefinito e il suo indicatore lampeggerà. Tenere premuto il pulsante di accensione per più di 2 secondi, l'elettrodomestico si spegnerà.

Pulsante di controllo del grado di vapore

Il grado di vapore può essere selezionato basso, medio o alto tramite il pulsante di controllo del grado di vapore. Qualunque sia selezionato, il suo indicatore lampeggerà e si illuminerà

in modo fisso dopo aver terminato il preriscaldamento, il che significa che il vapore è pronto per l'uso. L'indicatore del grado di vapore selezionato lampeggia quando il grado di vapore passa dall'impostazione bassa a quella alta, mentre si accende fisso quando il grado di vapore passa dall'impostazione alta a quella bassa.

Quadrante della temperatura

Ruotare il quadrante per impostare la temperatura di stiratura in base al capo da stirare.

Indicatore di temperatura

L'elettrodomestico si riscalda quando non ha raggiunto la temperatura selezionata. L'indicatore della temperatura si illumina quando l'elettrodomestico si sta riscaldando. Una volta che l'elettrodomestico ha raggiunto la temperatura selezionata, l'indicatore della temperatura si spegne. L'indicatore della temperatura si accende e si spegne ciclicamente mentre il ferro da stiro mantiene la temperatura selezionata durante la stiratura.

Bloccaggio del ferro da stiro

Posizionare il ferro da stiro sul supporto per l'isolamento termico della base dell'unità, quindi spingere il blocco del ferro “🔒” in posizione per bloccare il ferro da stiro sulla base dell'unità. Per sbloccare, spingere il blocco del ferro in posizione “🔓”, sarà quindi possibile rimuovere il ferro da stiro per stirare i vestiti (vedere Fig.1). L'intera stazione di stiratura può essere sollevata afferrando l'impugnatura del ferro da stiro dopo che il ferro da stiro è stato correttamente bloccato sulla base dell'unità (vedere Fig.2).

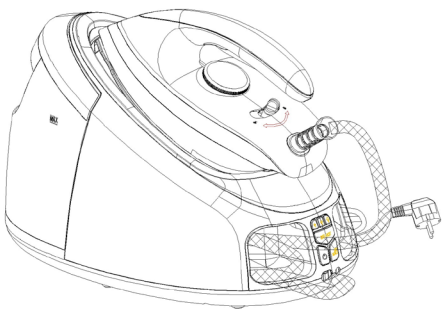


Fig.1

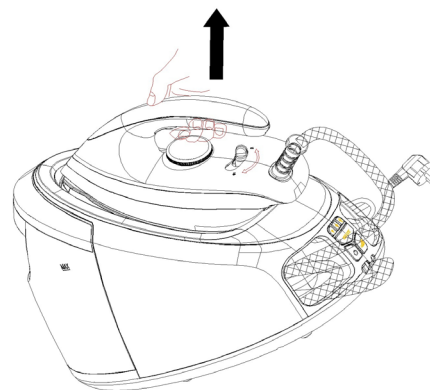


Fig.2

Pulsante del vapore

Dopo aver premuto il pulsante di accensione e aver scelto il grado di vapore desiderato, indica che il vapore può essere utilizzato per stirare quando l'indicatore del grado di vapore passa da lampeggiante a fisso. A quel punto, premere il pulsante del vapore con un po' di forza, il vapore verrà spruzzato dalla piastra in modo continuo. Quando si allenta il pulsante del vapore, l'elettrodomestico può essere utilizzato solo per la stiratura a secco senza vapore.

Colpo di vapore

Premere rapidamente due volte il pulsante del vapore per produrre un getto di vapore, che durerà per 6 minuti (vedere Fig.3). Se si desidera interrompere la produzione del colpo di vapore durante il funzionamento, è sufficiente premere una sola volta il grilletto del vapore o qualsiasi pulsante sul pannello di controllo.

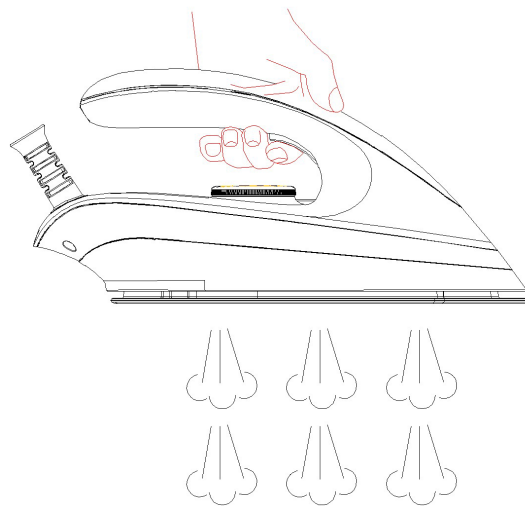


Fig.3

Indicatore di decalcificazione

Se l'indicatore di decalcificazione si accende, indica che il generatore di vapore deve essere pulito in quanto i depositi minerali si accumulano in una certa misura. Quando il sistema assicura che i depositi minerali sono stati rimossi, l'indicatore si spegne.

Contenitore per il cavo di alimentazione & Contenitore per il tubo di alimentazione del vapore

Quando non in uso, il tubo di alimentazione del vapore e il cavo di alimentazione possono

essere ripiegati bene e riposti nei rispettivi contenitori di stoccaggio.

Spegnimento automatico

L'elettrodomestico si spegnerà automaticamente se non si attiva la funzione “Vapore” o non si attivano i pulsanti di comando sul pannello di controllo entro 10 minuti.

PRIMA DEL PRIMO UTILIZZO

1. Rimuovere qualsiasi adesivo o pellicola protettiva dalla piastra.
2. Riempire il serbatoio dell'acqua con acqua e riscaldare il ferro alla temperatura massima, quindi stirare su un panno umido per alcuni minuti allo scopo di rimuovere eventuali residui sulla piastra secondo la sezione "Stiratura a vapore".

NOTA:

- 1) È normale che al primo utilizzo l'unità emetta uno strano odore. Il fenomeno cesserà dopo poco tempo.*
- 2) Alcune particelle potrebbero fuoriuscire dalla piastra quando si utilizza il ferro da stiro per la prima volta. È normale; le particelle sono innocue e smettono di fuoriuscire dal ferro dopo poco tempo.*
- 3) Quando si attiva la funzione "Vapore", l'elettrodomestico potrebbe produrre un rumore di pompaggio. È normale; il suono indica che l'acqua viene pompata nel generatore di vapore.*
- 4) Durante il processo di riscaldamento della piastra, dalla piastra uscirà automaticamente un po' di vapore e questo fenomeno continuerà per circa 3 secondi, è normale.*
- 5) Ci sarà poca acqua di condensa nel tubo di alimentazione del vapore dopo il primo utilizzo.*
Ma nel secondo utilizzo, l'acqua di condensa verrà spruzzata insieme al vapore all'inizio del rilascio di vapore. Questo fenomeno continuerà per diversi secondi. È normale.

3. L'elettrodomestico si spegnerà automaticamente se tutti gli indicatori lampeggiano cinque volte insieme a cinque segnali acustici dopo l'accensione, in questo caso, contattare il servizio di assistenza post-vendita.

UTILIZZO DELLA STAZIONE A VAPORE

L'elettrodomestico ha due modalità di stiratura. È possibile utilizzare la stiratura a secco o la stiratura a vapore, i dettagli si riferiscono a quanto segue:

Stiratura a secco

1. Posizionare la base dell'unità su una superficie stabile e piana, quindi posizionare il ferro da stiro sul supporto di isolamento termico della base dell'unità.
2. Collegare l'elettrodomestico alla fonte di alimentazione e premere il pulsante di accensione, l'indicatore di alimentazione si accende.
3. Ruotare il quadrante della temperatura sull'impostazione desiderata, in base al tessuto dell'indumento. Il ferro da stiro inizia a riscaldarsi e l'indicatore della temperatura si illuminerà fisso durante il riscaldamento. Fare riferimento a "**SUGGERIMENTI PER LA STIRATURA**".
4. L'indicatore della temperatura si spegne quando viene raggiunta la temperatura selezionata. Ora puoi iniziare a stirare.

ATTENZIONE: non toccare mai la piastra calda prima che si raffreddi!

Stiratura a vapore

1. Posizionare la base dell'unità su una superficie stabile e piana.
2. Afferrare la maniglia del serbatoio dell'acqua per rimuovere il serbatoio dell'acqua, quindi riempirlo d'acqua attraverso l'apertura di riempimento. È meglio usare acqua purificata con meno particelle di calcio. Successivamente, rimettere a posto correttamente il serbatoio dell'acqua. La capacità massima del serbatoio dell'acqua è di 1,7 litri, il livello dell'acqua non deve superare il segno MAX.
2. Mettere il ferro da stiro sul supporto di isolamento termico della base dell'unità.
3. Collegare l'elettrodomestico alla fonte di alimentazione, premere il pulsante di accensione e l'indicatore del livello di vapore basso predefinito lampeggerà. E ci sono tre modalità disponibili tra cui il livello di vapore basso, medio e alto, è possibile selezionare il livello di

vapore desiderato per ogni capo in base alle proprie esigenze. Assicurarsi che ci sia abbastanza acqua nel serbatoio.

4. Ruotare il quadrante della temperatura sull'impostazione desiderata, in base al tessuto dell'indumento. Il ferro da stiro inizia a riscaldarsi e l'indicatore della temperatura si illuminerà fisso durante il riscaldamento. Fare riferimento a "**SUGGERIMENTI PER LA STIRATURA**" e "**TABELLAAGGIUNTIVA**" come di seguito quando si seleziona la temperatura.

5. Dopo alcuni minuti, l'indicatore della temperatura si spegnerà, indicando che la temperatura della piastra ha raggiunto la temperatura selezionata. Quando l'indicatore del livello di vapore selezionato passa da lampeggiante a acceso, indica che il ferro da stiro è pronto per stirare l'indumento con il vapore.

6. Premere il pulsante del vapore con un po' di forza, il vapore verrà spruzzato dalla piastra continuamente, dopodiché si può stirare il capo con il vapore.

7. Premere rapidamente il pulsante del vapore due volte per produrre un getto di vapore se è necessario rimuovere le pieghe dure.

Nota: potrebbe gocciolare dell'acqua durante la nebulizzazione del vapore quando la temperatura della piastra è uguale o inferiore alla seconda impostazione. È normale.

Attenzione:

1) Non toccare mai la piastra calda prima che si raffreddi!

2) Non dirigere mai il vapore verso le persone!

3) Non azionare il pulsante del vapore quando il ferro da stiro è posizionato sulla base dell'unità per evitare di scottarsi con il vapore.

8. Dopo aver stirato, premere il pulsante di accensione per più di 2 secondi, l'elettrodomestico si spegnerà e tutti gli indicatori si spegneranno. Rimuovere la spina dalla presa a muro. Ma la piastra è ancora calda, non toccarla mai con le mani, posizionarla sul supporto isolante termico fino a quando non si raffredda completamente.

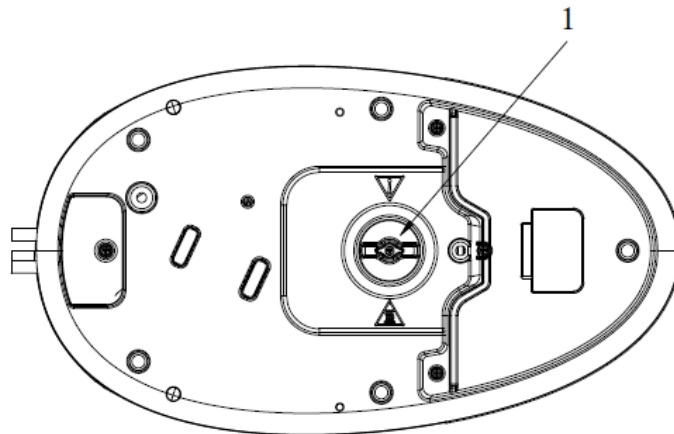
FUNZIONE DI AUTOPULIZIA

Se l'“Indicatore di decalcificazione” si accende, indica che il generatore di vapore deve essere pulito in virtù dei depositi minerali che si accumulano in una certa misura. Quando il sistema assicura che i depositi minerali sono stati rimossi, l'“Indicatore di decalcificazione” si spegnerà.

Prima della pulizia, assicurarsi che l'“Indicatore di decalcificazione” sia acceso fisso, quindi scollegare l'elettrodomestico e farlo raffreddare.

1. Rimuovere il serbatoio dell'acqua, capovolgere la base dell'unità e posizionarla su una superficie piana, quindi ruotare in senso antiorario la manopola nella parte inferiore della base dell'unità per rimuoverla.

ATTENZIONE: Per evitare il rischio di scottature, assicurarsi che l'elettrodomestico si sia raffreddato completamente prima di rimuovere la manopola, posizione 1 nella figura sottostante.



2. Installare il connettore di scarico nel tubo di scarico.

3. Posizionare la base dell'unità su un tavolo adatto e fisso, quindi inserire il tubo in silicone in un contenitore, quindi riempire il serbatoio dell'acqua con acqua e rimetterlo in posizione (vedi Fig.4). Assicurarsi che l'elettrodomestico sia posizionato in modo stabile.

Numero	Descrizione
1	Tubo in silicone
2	Contenitore
3	Tavolo fisso

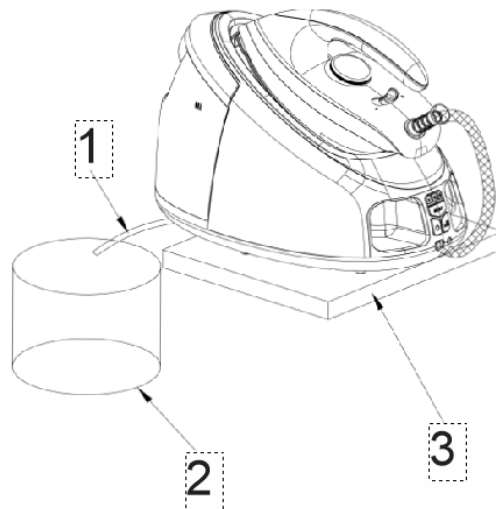


Fig.4

4. Collegare l'elettrodomestico alla fonte di alimentazione, premere il pulsante di accensione, quindi tenere premuto e premere contemporaneamente il "Pulsante di decalcificazione" e il "Pulsante del vapore" per circa 1 secondo, in quel momento, si sente un segnale acustico e l'indicatore di decalcificazione inizia a lampeggiare, quindi l'elettrodomestico inizia a pulire il generatore di vapore e il vapore e il calcare fuoriescono dal generatore di vapore, circa 3 minuti dopo, si sente un segnale acustico, l'indicatore di decalcificazione si spegne e l'elettrodomestico si spegne automaticamente.

NOTA: Non toccare o avvicinarsi al contenitore durante la pulizia per evitare scottature.

5. Scollegare e rimuovere il serbatoio dell'acqua, quindi posizionare il ferro da stiro su una superficie piana, capovolgere poi la base dell'unità e posizionarla su una superficie piana, quindi ruotare la manopola in senso orario per serrarla e installare il connettore di scarico in posizione. Infine, capovolgere la base dell'unità e posizionare il ferro da stiro sul supporto di isolamento termico della base dell'unità.

Fig.8

PULIZIA E MANUTENZIONE

Prima della pulizia, scollegare innanzitutto la presa di corrente e lasciare raffreddare l'elettrodomestico.

1. Pulire i residui qualsiasi altro deposito sulla piastra con un panno umido o un detergente non abrasivo (liquido).

NOTA: Non utilizzare detergenti chimici, in acciaio, in legno o abrasivi per raschiare la piastra.

2. Pulire la parte superiore del ferro da stiro con un panno morbido inumidito. Pulire le gocce d'acqua sulla base dell'unità e sul supporto dell'isolamento termico con un panno asciutto.

3. Eseguire la pulizia automatica seguendo l'operazione descritta in “**FUNZIONE AUTOPULIZIA**” quando l'“Indicatore di decalcificazione” si illumina.

4. Quando non si utilizza l'elettrodomestico per un lungo periodo, versare l'acqua nel serbatoio, ruotare la manopola della temperatura all'impostazione minima e riporre il ferro da stiro sul cuscino termoisolante, quindi spingere il blocco del ferro da stiro in posizione di blocco per bloccare bene il ferro da stiro.

Nota: L'intera stazione di stiratura può essere sollevata afferrando la maniglia del ferro da stiro dopo che il ferro da stiro è stato correttamente bloccato sulla base dell'unità.

5. Quando non in uso, il tubo di alimentazione del vapore e il cavo di alimentazione possono essere piegati bene e riposti nei rispettivi contenitori di stoccaggio, quindi riporre l'elettrodomestico in un luogo fuori dalla portata dei bambini.

SUGGERIMENTI PER LA STIRATURA

-Controllare sempre prima se all'articolo è allegata un'etichetta con le istruzioni per la stiratura. Seguire comunque queste istruzioni per la stiratura.

- Il ferro da stiro si riscalda più velocemente rispetto al suo raffreddamento, quindi, dovresti iniziare a stirare gli articoli che richiedono la temperatura più bassa come quelli in fibra.

-Se il tessuto è costituito da vari tipi di fibre, è necessario selezionare sempre la temperatura di stiratura più bassa per stirare la composizione di tali fibre.

- I tessuti in fibra sintetica e seta devono essere stirati sul lato interno per evitare che si

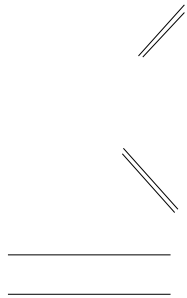
lucidino.

-Il velluto e altre trame che diventano rapidamente lucide devono essere stirate in un'unica direzione con una leggera pressione applicata. Mantenere sempre il ferro da stiro in movimento in qualsiasi momento.

- I tessuti in lana pura (100% lana) possono essere stirati con il ferro a vapore. Impostare preferibilmente il quadrante della temperatura sulla terza posizione e utilizzare un panno asciutto come tappetino.

- Non stirare mai sopra le cerniere e i rivetti del tessuto. Questo danneggia la piastra. Stirare attorno a qualsiasi oggetto di questo tipo.

SMALTIMENTO RISPETTOSO DELL'AMBIENTE



***Puoi contribuire a proteggere l'ambiente!
Ricordati di rispettare le normative locali:
consegna le apparecchiature elettriche non
funzionanti a un apposito centro di smaltimento
rifiuti***

PRECAUCIONES IMPORTANTES

Antes de utilizar este aparato eléctrico, siga siempre las siguientes precauciones básicas:

Lea todas las instrucciones.

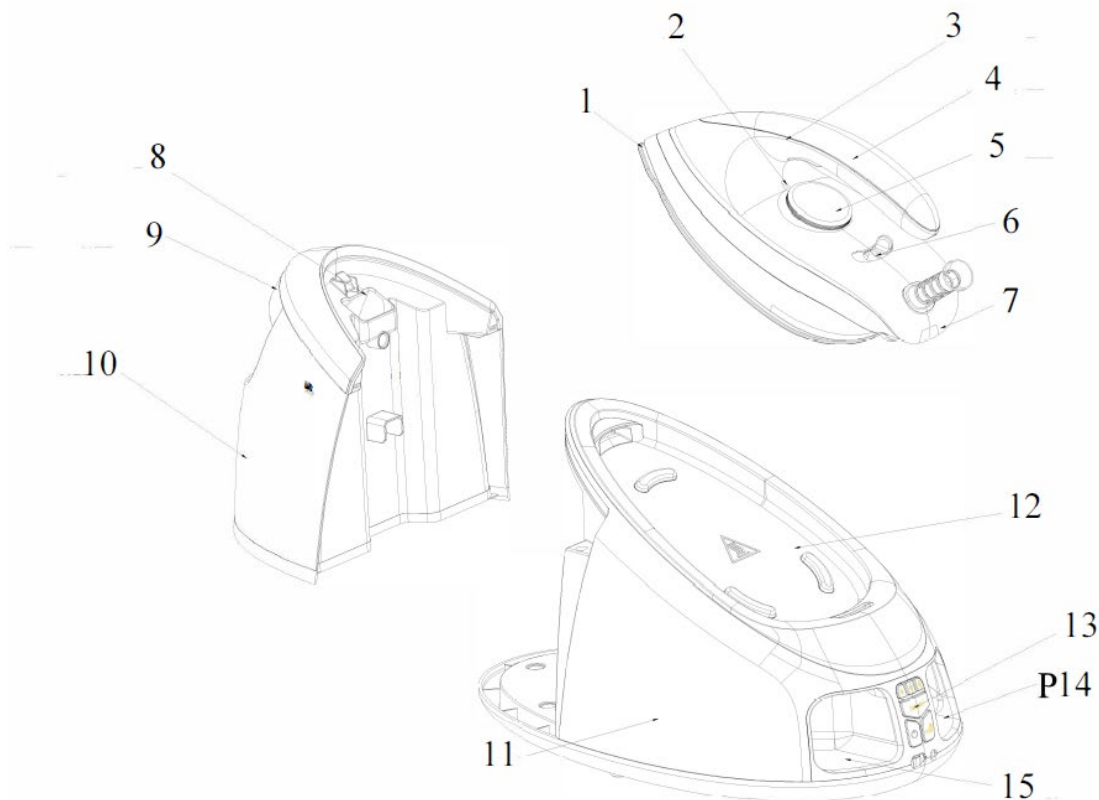
1. Antes de usar el aparato, compruebe que la tensión de la toma de corriente coincida con la que se indica en la placa de características.
2. No utilice el aparato si el cable principal, el enchufe, la luz o el propio aparato muestran daños visibles, o si el aparato se ha caído o tiene fugas. Llévelo a la instalación de servicio autorizado más cercana o a un técnico calificado para su examen y reparación con el fin de evitar situaciones de riesgo.
3. Si el cable de alimentación está dañado, debe ser sustituido por el fabricante, su agente de servicio u otras personas cualificadas, con el fin de evitar riesgos de choque eléctrico.
4. No permita que el cable entre en contacto con la base cuando esté caliente.
5. El contacto con las partes metálicas calientes, el agua caliente o el vapor puede causar quemaduras.
6. No permita que el cable cuelgue sobre el borde de la mesa o una superficie caliente.
7. Para evitar el riesgo de descargas eléctricas, nunca sumerja la plancha en agua u otros líquidos. Si esto sucediera, no vuelva a utilizar el aparato; deséchelo.
8. No deje la plancha desatendida mientras esté conectada a una fuente de alimentación o se encuentre sobre una tabla de planchar.
9. Coloque o utilice siempre el aparato sobre una superficie estable, nivelada y horizontal.
10. El uso de accesorios no recomendados por el fabricante puede causar lesiones a las personas o daños al aparato.
11. Al colocar la plancha en su soporte, asegúrese de que este se encuentre sobre una superficie estable.
12. El tapón que se encuentra en la parte inferior de la base debe estar siempre bien cerrado mientras se usa el aparato.
13. Nunca llene el depósito de agua con agua caliente, aromatizador, vinagre, almidón, descalcificador, suavizante de telas u otro reactivo químico.
14. Antes de agregar agua o limpiar el aparato, desenchúfelo de la toma de corriente.
15. No utilice este electrodoméstico con fines distintos para los que ha sido diseñado.
16. Este aparato puede ser utilizado por niños mayores de 8 años y por personas con capacidades físicas, sensoriales o mentales reducidas, o con escasa experiencia y

- conocimientos, siempre que estén bajo supervisión o hayan recibido indicaciones pertinentes sobre el uso seguro y comprendan los peligros implicados.
17. Los niños no deben jugar con el aparato. Los niños no deben realizar tareas de limpieza y mantenimiento del aparato sin la supervisión de una persona responsable.
 18. No use la plancha si ha sufrido una caída, si muestra signos visibles de daños o si presenta fugas.
 19. Mantenga la plancha y el cable fuera del alcance de los niños menores de 8 años mientras esté conectada a la red eléctrica o cuando esté enfriándose.
 20. Nunca toque la base de la plancha a menos que ya se haya enfriado completamente y esté desenchufada.
 21. No use este aparato al aire libre.
 22. Conserve estas instrucciones.

SOLO PARA USO DOMÉSTICO

CONOZCASU ESTACIÓN DE PLACHADO AL VAPOR

Número	Descripción
1	Base
2	Indicador de temperatura
3	Botón de vapor
4	Mango
5	Mando de temperatura
6	Bloqueo de plancha en estación
7	Plancha
8	Abertura de llenado
9	Asa del depósito de agua
10	Depósito de agua
11	Base de la unidad
12	Soporte con aislamiento térmico
13	Panel de control
14	Compartimento del cable de alimentación
15	Compartimento del cable de vapor



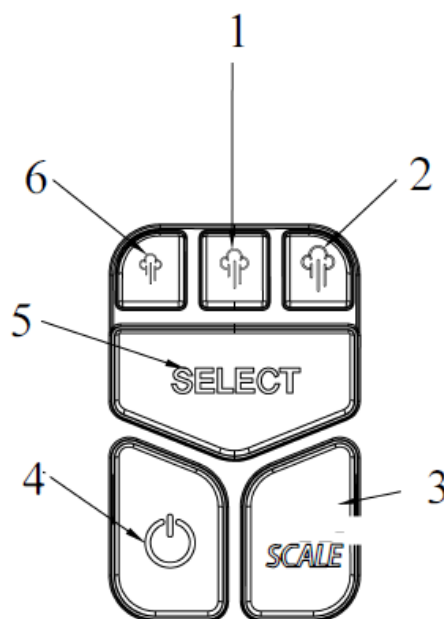
MANDO DE TEMPERATURA



●	Seda $80 < T < 120$
● ●	Lana $115 < T < 160$
● ● ●	Algodón $170 < T < 215$
MÁX.	Máximo $175 < T < 225$

PANEL DE CONTROL

Número	Descripción
1	Vapor intermedio
2	Vapor alto
3	Botón de descalcificación
4	Botón de encendido
5	Control del nivel de vapor
6	Vapor bajo



Abertura de llenado

Llene el depósito de agua a través de su abertura de llenado. Asegúrese de que el agua no exceda la marca de MÁX. del depósito.

Botón de encendido

Enchufe el aparato y presione el botón de encendido, el indicador de encendido se iluminará, el nivel de vapor bajo estará como predeterminado y el indicador correspondiente parpadeará. Si mantiene presionado el botón de encendido durante más de 2 segundos, el aparato se apagará.

Botón de control del nivel de vapor

Puede seleccionar un nivel de vapor bajo, intermedio o alto mediante el botón de control del nivel de vapor. El indicador del nivel que seleccione parpadeará y luego se iluminará de manera constante después de terminar el precalentamiento, lo que significa que el vapor está listo. El indicador del nivel de vapor seleccionado parpadeará cuando cambie de un ajuste bajo a un ajuste alto, mientras que quedará iluminado de manera constante cuando cambie de un ajuste alto a uno bajo.



Mando de temperatura

Gire el mando para establecer la temperatura de planchado en función de las necesidades de cada prenda.

Indicador de temperatura

El aparato estará en un proceso de calentamiento mientras no haya alcanzado la temperatura seleccionada. Mientras el aparato se esté calentando, el indicador de temperatura estará iluminado. Cuando el aparato alcance la temperatura seleccionada, el indicador de temperatura se apagará. El indicador de temperatura se activará y desactivará de manera cíclica para que la plancha mantenga la temperatura seleccionada durante el uso.

Bloqueo de la plancha

Coloque la plancha sobre el soporte de aislamiento térmico de la base y empuje el dispositivo de bloqueo hasta la posición «» para fijar la plancha a la base de la unidad. Para desbloquear, empuje el dispositivo de bloqueo hasta la posición «» y ya podrá retirar la plancha para usarla (ver Fig.1). Cuando la plancha está correctamente bloqueada en la base, es posible levantar toda la estación de vapor sujetándola del mango de la plancha (ver fig. 2).

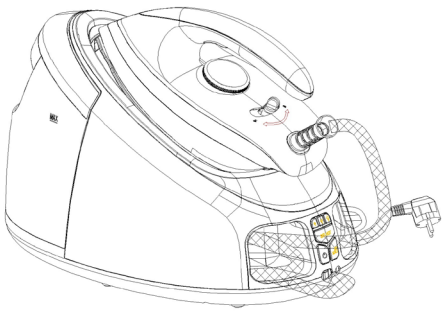


Fig. 1

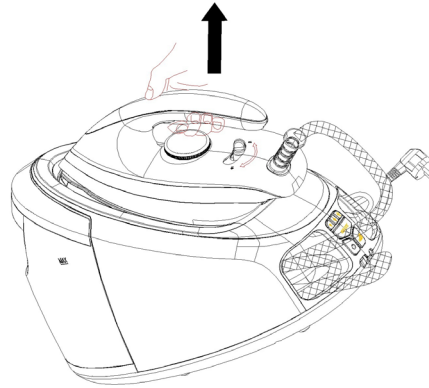


Fig. 2

Botón de vapor

Una vez que haya presionado el botón de encendido y seleccionado el nivel de vapor deseado, cuando el indicador de nivel de vapor pase de parpadear a estar iluminado de manera constante, significa que ya puede usar vapor para planchar. Cuando eso suceda, presione el botón de vapor aplicando un poco de fuerza; el vapor saldrá desde la base de manera continua. Si no se presiona el botón de vapor, el aparato solo se puede usar para planchar en seco sin vapor.

Chorro de vapor

Para producir un chorro de vapor de 6 minutos de duración, presione rápidamente el botón de vapor dos veces (ver Fig.3). Si desea dejar de producir el chorro de vapor durante el funcionamiento, presione una vez el botón de vapor o cualquier otro botón del panel de control.

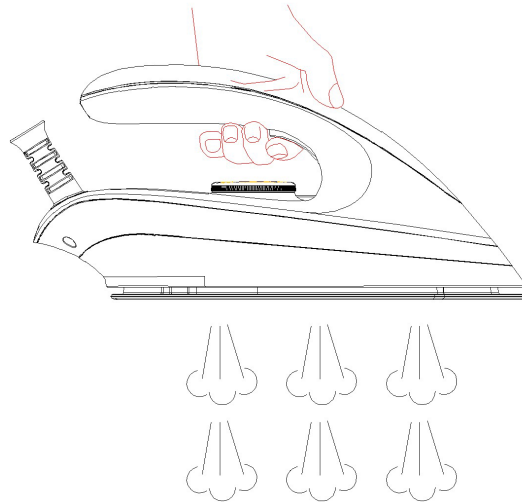


Fig. 3

Indicador de descalcificación

Cuando el indicador de descalcificación se ilumina, indica que debe limpiar el generador de vapor para eliminar los depósitos minerales que se han acumulado. Cuando el sistema comprueba que se han eliminado los depósitos minerales, el indicador se apagará.

Compartimento del cable de alimentación y compartimento de la manguera de vapor

Cuando no use el aparato, la manguera de vapor y el cable de alimentación se pueden plegar y almacenar en sus respectivos compartimentos.

Apagado automático

Si no activa la función «Vapor» o algún botón del panel de control en un lapso de 10 minutos, el aparato se apagará automáticamente.

ANTES DEL PRIMER USO

1. Retire cualquier pegatina o lámina protectora de la base.
2. Llene el depósito de agua y caliente la plancha a la temperatura máxima; luego planche sobre un trozo de paño húmedo durante varios minutos según se indica en la sección «Planchado al vapor», con el fin de eliminar cualquier residuo que pueda encontrarse en la base.

NOTA:

1) Es normal que el aparato emita un olor inusual cuando se utiliza por primera vez. Este olor desaparecerá en poco tiempo.

2) Durante el primer uso es posible que salgan algunas partículas de la base. Esto es normal; se trata de partículas inofensivas que dejarán de salir de la plancha en poco tiempo.

3) Es posible que el aparato emita un sonido como de bombeo cuando activa la función «Vapor». Esto es normal; este sonido se debe a que se está bombeando agua hacia el generador de vapor.

4) Durante el proceso de calentamiento, saldrá un poco de vapor de la base de la plancha; este fenómeno es normal y durará unos 3 segundos.

5) Después del primer uso habrá poca agua de condensación en la manguera de suministro de vapor.

Pero tras el segundo uso, el agua de condensación saldrá junto con el vapor al comienzo de la liberación de vapor. Este fenómeno continuará durante varios segundos. Es normal.

3. Si al encender el aparato todos los indicadores parpadean cinco veces y se escuchan cinco pitidos, el aparato se apagará automáticamente; si esto sucede, comuníquese con el departamento de servicio posventa.

USO DE LA ESTACIÓN DE PLANCHADO AL VAPOR

El aparato permite dos tipos de planchado. Puede usar planchado en seco o planchado al vapor. A continuación se proporcionan los detalles de cada modo:

Planchado en seco

1. Coloque la base de la unidad sobre una superficie estable y nivelada, y luego coloque la plancha sobre el soporte de aislamiento térmico.
2. Conecte el aparato a una fuente de alimentación y presione el botón de encendido; el indicador de encendido se encenderá.
3. Gire el mando de temperatura hasta la configuración deseada, que dependerá de la tela de la prenda que vaya a planchar. La plancha comenzará a calentarse; el indicador de temperatura estará iluminado de manera continua durante el calentamiento. Consulte la sección «**CONSEJOS DE PLANCHADO**».
4. El indicador de temperatura se apagará cuando el aparato alcance la temperatura seleccionada. Ya puede empezar a planchar.

ADVERTENCIA: ¡Nunca toque la base de la plancha antes de que se haya enfriado!

Planchado al vapor

1. Coloque la base de la unidad sobre una superficie estable y nivelada.
2. Retire el depósito de agua sujetándolo de su asa y llénelo con agua a través de su abertura de llenado. Le recomendamos usar agua purificada, ya que contiene menos partículas de calcio. Después de llenar el depósito, vuelva a colocarlo correctamente en su sitio. La capacidad máxima del depósito de agua es de 1.7 litros; el nivel de agua no debe exceder nunca la marca de MÁX.
2. Coloque la plancha sobre el soporte de aislamiento térmico de la base de la unidad.
3. Conecte el aparato a una fuente de alimentación y presione el botón de encendido; el indicador del nivel bajo de vapor predeterminado parpadeará. Dispone de tres niveles de vapor: bajo, intermedio y alto; puede seleccionar el nivel de vapor que desee para cada prenda de acuerdo con sus necesidades. Asegúrese de que haya suficiente agua en el depósito.
4. Gire el mando de temperatura hasta la configuración deseada, que dependerá de la tela de la prenda que vaya a planchar. La plancha comenzará a calentarse; el indicador de temperatura estará iluminado de manera continua durante el calentamiento. Consulte la sección «**CONSEJOS DE PLANCHADO**» y la «**TABLA ADICIONAL**» a continuación para seleccionar la temperatura.

5. Después de unos minutos, el indicador de temperatura se apagará; esto indica que la base de la plancha ha alcanzado la temperatura seleccionada. Cuando el indicador del nivel de vapor seleccionado pasa de parpadear a estar constantemente iluminado, indica que el aparato está listo para planchar con vapor.
6. Presione el botón de vapor aplicando un poco de fuerza; el vapor saldrá desde la base de manera continua y ya podrá planchar sus prendas con vapor.
7. Si necesita planchar una arruga rebelde, puede producir un chorro presionando rápidamente el botón de vapor dos veces.

Nota: Cuando la temperatura de la base es igual o inferior a una segunda configuración, podría gotear algo de agua durante la pulverización de vapor. Esto es normal.

Precaución:

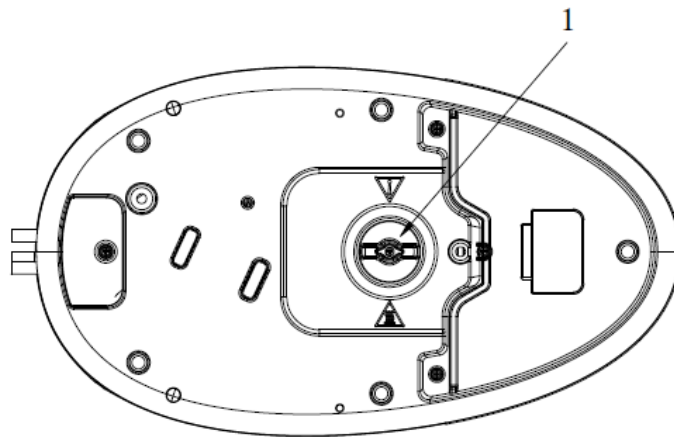
- 1) ***¡Nunca toque la base de la plancha antes de que se haya enfriado!***
 - 2) ***¡Nunca dirija el vapor hacia otras personas!***
 - 3) ***Para evitar quemaduras de vapor, nunca active el botón de vapor cuando la plancha se encuentre sobre la base de la unidad.***
8. Cuando termine de planchar, presione el botón de encendido durante más de 2 segundos; el aparato y todos los indicadores se apagará. Desenchufe de la toma de corriente. La base de la plancha aún estará caliente, no la toque; colóquela sobre el soporte de aislamiento térmico hasta que se enfríe por completo.

FUNCIÓN DE AUTOLIMPIEZA

Cuando el «indicador de descalcificación» se ilumina, indica que debe limpiar el generador de vapor para eliminar los depósitos minerales que se han acumulado. Cuando el sistema comprueba que se han eliminado los depósitos minerales, el «indicador de descalcificación» se apagará. Antes de realizar la limpieza del aparato, asegúrese de que el «indicador de descalcificación» esté iluminado de manera continua, luego desenchufe el aparato y espere que se enfríe.

1. Retire el depósito de agua, de la vuelta a la base de la unidad y colóquela sobre una superficie plana. Luego gire en sentido antihorario el tapón de la parte inferior de la base de la unidad para quitarlo.

ADVERTENCIA: Para evitar el riesgo de quemaduras, asegúrese de que el aparato se haya enfriado completamente antes de quitar el tapón que se indica con el número 1 en la imagen de abajo.



2. Instale el conector de drenaje en el tubo correspondiente.

3. Coloque la base de la unidad sobre una mesa estable, luego coloque el tubo de silicona dentro de un recipiente, llene el depósito de agua y vuelva a colocarlo en su sitio (consulte la fig. 4). Asegúrese de que el aparato se encuentre sobre una base estable.

Número	Descripción
1	Tubo de silicona
2	Recipiente
3	Base estable

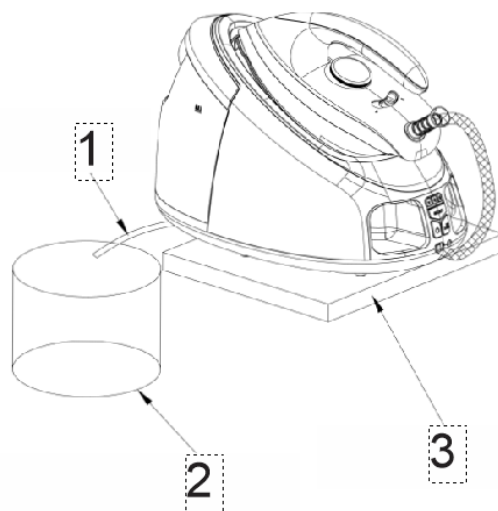


Fig.4

4. Conecte el aparato a una fuente de alimentación, presione el botón de encendido y luego mantenga presionados simultáneamente el «botón de descalcificación» y el «botón de vapor» durante aproximadamente 1 segundo; en ese momento, escuchará un pitido y el indicador de descalcificación comenzará a parpadear. Posteriormente, el aparato comenzará la limpieza del generador de vapor, y expulsará vapor y minerales. Aproximadamente 3 minutos después, escuchará otro pitido y el indicador de descalcificación y el aparato se apagarán automáticamente.

NOTA: Para evitar quemaduras, no toque ni se acerque al recipiente durante la limpieza.

5. Desenchufe el aparato, retire el depósito de agua y coloque la plancha sobre una superficie plana. Luego, levante la base de la unidad y colóquela sobre una superficie plana. Ajuste el tapón enroscándolo en sentido horario y coloque el conector de drenaje en su posición. Finalmente, vuelva a dar la vuelta a la base de la unidad y coloque la plancha sobre el soporte de aislamiento térmico.

LIMPIEZA Y MANTENIMIENTO

Antes de realizar tareas de limpieza en el aparato, desconéctelo de la toma de corriente y espere a que se enfríe.

1. Limpie los residuos y cualquier otro depósito que pueda encontrarse en la base de la plancha, usando un paño húmedo o un limpiador no abrasivo (líquido).

NOTA: No limpie la base de la plancha con productos químicos, limpiadores para acero o madera ni productos de limpieza abrasivos.

2. Limpie la parte superior de la plancha con un paño suave y húmedo. Limpie las gotas de agua que puedan encontrarse en la base de la unidad y el soporte de aislamiento térmico con un paño seco.

3. Realice la limpieza automática siguiendo las indicaciones de la sección «**FUNCIÓN DE AUTOLIMPIEZA**» cuando se ilumine el «indicador de descalcificación».

4. Cuando no vaya a usar el aparato durante mucho tiempo, vierta el agua que se encuentre en el depósito, gire el mando de temperatura hasta la configuración mínima y guarde la plancha sobre el cojín aislante térmico con el bloqueo en la posición adecuada para que la plancha quede fija a la base de la unidad.

Nota: Cuando la plancha está correctamente bloqueada en la base, es posible levantar toda la estación de vapor sujetándola del mango de la plancha.

5. Cuando no use el aparato, puede plegar y almacenar la manguera de vapor y el cable de alimentación en sus respectivos compartimentos, y colocar el aparato en un lugar fuera del alcance de los niños.

CONSEJOS DE PLANCHADO

- Antes de planchar una prenda, compruebe siempre si esta tiene una etiqueta con instrucciones para su planchado. Si es así, siga siempre esas instrucciones.

- La plancha tarda menos tiempo en calentarse que en enfriarse, por lo tanto, es buena idea comenzar a planchar las prendas que requieren una temperatura más baja, como las fibras sintéticas.

- Si el tejido consiste en varios tipos de fibras, seleccione siempre la temperatura más baja correspondiente a la composición de esas fibras.

- Las telas de fibra sintética y de seda deben plancharse por su lado interior para evitar que se

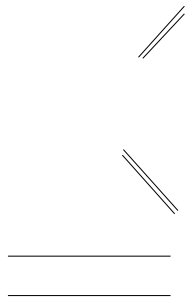
pongan brillantes.

- El terciopelo y otras telas que se ponen brillantes rápidamente deben plancharse en una sola dirección y aplicando una ligera presión. Mantenga la plancha en movimiento en todo momento.

- Las telas de lana pura (100 % lana) se pueden planchar con vapor. Le recomendamos ajustar el mando de temperatura en la tercera posición y colocar un paño seco entre la prenda y la plancha.

- Nunca planche sobre cremalleras o remaches de las prendas. Esto puede dañar la base de la plancha. Planche alrededor de cualquier objeto que se encuentre en la prenda.

ELIMINACIÓN RESPETUOSA CON EL MEDIOAMBIENTE



***¡Usted puede ayudar a proteger el medioambiente!
Respete la normativa local: entregue los aparatos
eléctricos que no funcionan en un centro adecuado
para la eliminación de residuos.***

VAŽNE ZAŠTITNE MJERE

Prije uporabe električnog uređaja uvijek se treba pridržavati sljedećih osnovnih mjera opreza, uključujući sljedeće:

Pročitajte sve upute.

1. Prije uporabe provjerite odgovara li napon zidne utičnice naponu prikazanom na natpisnoj pločici.
2. Nemojte koristiti uređaj ako glavni kabel, utikač, svjetlo ili sam uređaj pokazuju vidljiva oštećenja ili ako je uređaj pao ili curi. Odnosite ga najbližem ovlaštenom servisu ili kvalificiranom serviseru na pregled i popravak kako biste izbjegli opasnost.
3. Ako je priključni kabel oštećen, treba ga zamijeniti proizvođač, njegov serviser ili neka druga slično osposobljena osoba kako biste izbjegli opasnost.
4. Ne dopustite da kabel dođe u dodir s pločom za glačanje kad je vruća.
5. Opekline mogu nastati dodirivanjem vrućih metalnih dijelova, vruće vode ili pare.
6. Ne dopustite da kabel visi preko ruba stola ili vruće površine.
7. Kako biste se zaštitili od opasnosti od strujnog udara, glačalo nikada ne uranjajte u vodu ili druge tekućine. Ako se to dogodilo, nemojte više koristiti ovaj uređaj; zbrinite uređaj.
8. Ne ostavljajte glačalo bez nadzora dok je spojeno na napajanje ili dok je na dasci za glačanje.
9. Uređaj uvijek postavite i upotrebljavajte na suhoj, stabilnoj, ravnoj i horizontalnoj površini.
10. Uporaba dodatne opreme koju proizvođač ne preporučuje može uzrokovati ozljede osoba ili oštećenje uređaja.
11. Prije stavljanja glačala na postolje provjerite je li postolje na stabilnoj površini..
12. Regulator na dnu baze mora uvijek biti dobro zatvoren tijekom uporabe.
13. Nikada nemojte puniti spremnik za vodu vrućom vodom, mirisom, octom, škrobom, sredstvom za uklanjanje kamenca, omekšivačem tkanine ili drugim kemijskim reagensom.
14. Prije punjenja vodom ili čišćenja odspojite uređaj iz utičnice kad ga ne koristite.
15. Uređaj nemojte koristiti u svrhe za koje nije namijenjen.
16. Djeca starija od osam godina, kao i osobe smanjenih fizičkih, osjetilnih ili umnih sposobnosti ili osobe s nedostatkom znanja i iskustva, smiju koristiti uređaj isključivo pod odgovarajućim nadzorom, odnosno ako su upoznate sa sigurnom uporabom uređaja i

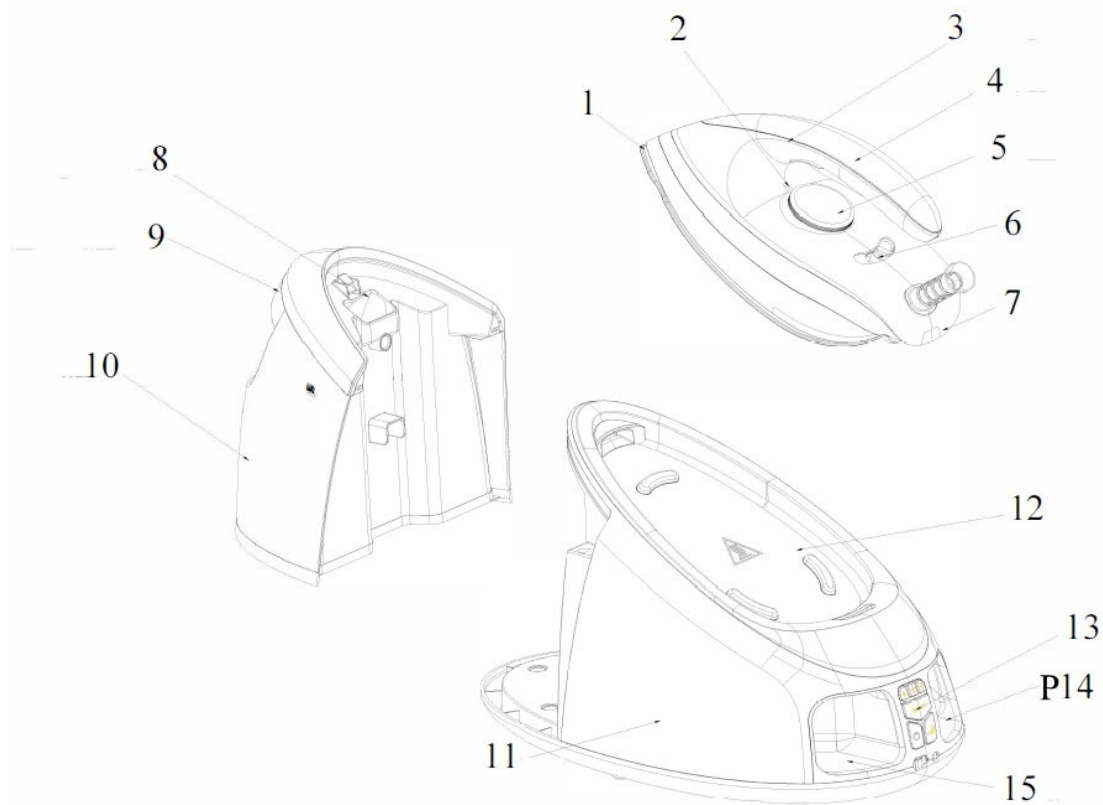
ako jasno razumiju opasnosti koje su povezane s uporabom uređaja.

17. Djeci nemojte dozvoliti da se igraju uređajem. Djeca ne smiju čistiti ili održavati uređaj bez nadzora odgovorne osobe.
18. Glačalo se ne smije koristiti ako je palo, ako na njemu postoje vidljivi znakovi oštećenja ili ako curi.
19. Glačalo i kabel držite izvan dohvata djece mlađe od 8 godina kad je pod naponom ili se hladi.
20. Nikada ne dodirujte vruću ploču za glačanje dok se glačalo potpuno ne ohladi i ne odspoji iz utičnice.
21. Ne upotrebljavajte na otvorenom.
22. Sačuvajte ove upute.

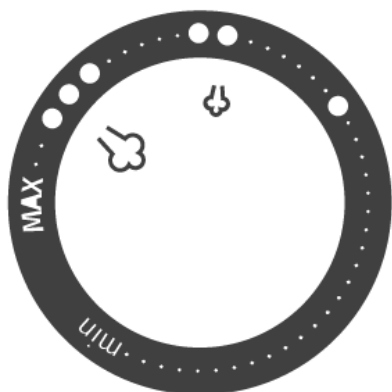
SAMO ZA UPORABU U KUĆANSTVU

UPOZNAJTE SVOJU PARNU POSTAJU

Broj	Opis
1	Ploča za glačanje
2	Indikator temperature
3	Okidač za paru
4	Drška
5	Gumb za temperaturu
6	Zaključavanje glačala na postaju
7	Glačalo
8	Otvor za punjenje
9	Drška spremnika za vodu
10	Spremnik za vodu
11	Baza uređaja
12	Termoizolacijsko postolje
13	Upravljačka ploča
14	Pohrana kabela za napajanje
15	Pohrana kabela za paru



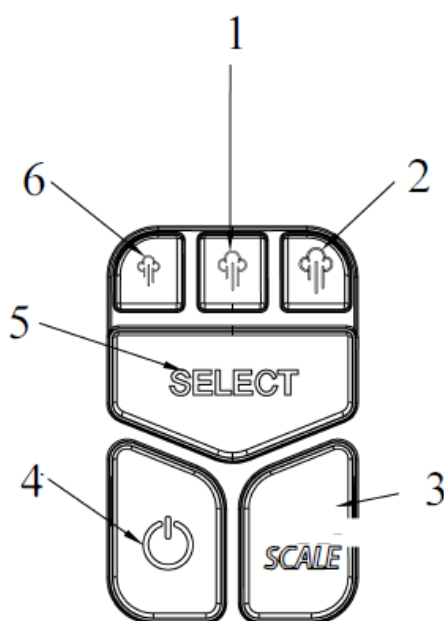
REGULATOR TEMPERATURE



●	Svila 80<T<120
●●	Vuna 115<T<160
●●●	Pamuk 170<T<215
MAX	Maksimum 175<T<225

UPRAVLJAČKA PLOČA

Broj	Opis
1	Srednja razina pare
2	Visoka razina pare
3	Gumb za uklanjanje kamenca
4	Gumb za uključivanje
5	Regulacija razine pare
6	Niska razina pare



Otvor za punjenje

Napunite spremnik vodom kroz otvor za punjenje spremnika za vodu. Pazite da voda ne prelazi oznaku MAX spremnika za vodu.

Gumb za uključivanje

Spojite uređaj na napajanje i pritisnite gumb za uključivanje, indikator napajanja će svijetliti, niska razina pare smatrat će se zadanom, a indikator će treperiti. Zadržite i pritisnite gumb za uključivanje dulje od 2 sekunde, uređaj će biti isključen.

Gumb za regulaciju razine pare

Razina pare može biti niska, srednja ili visoka i birate je pomoću gumba za regulaciju razine pare. Koju god razinu odaberete, indikator će treperiti i svijetlit će nakon završetka zagrijavanja, što znači da možete početi koristiti funkciju pare. Indikator odabrane razine pare treperit će kad se razina pare prebaci s niske na visoku postavku, dok će svijetliti kad se razina pare prebaci s visoke na nisku postavku.

Regulator temperature

Okrenite regulator kako biste podesili temperaturu glačanja na temelju odjeće koju trebate glačati.

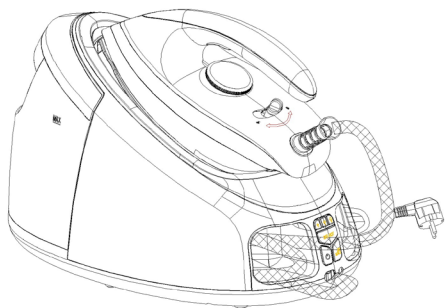
Indikator temperature

Uređaj će se zagrijati kad ne dosegne odabranu temperaturu. Indikator temperature će svijetliti kada se uređaj zagrijava. Kad uređaj dosegne odabranu temperaturu, indikator temperature će se ugasi. Indikator temperature će se paliti i gasiti, jer glačalo održava odabranu temperaturu tijekom glačanja.

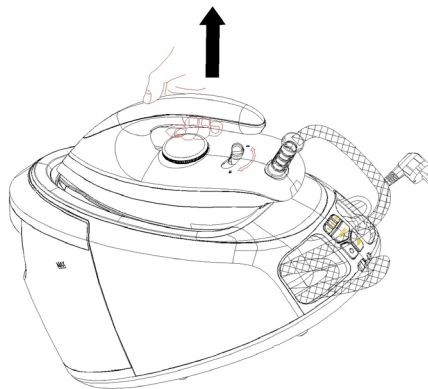
Brava glačala

Postavite glačalo na termoizolacijsko postolje baze, zatim pritisnite bravu glačala u položaj "🔒" kako biste zaključali glačalo na bazu. Za otključavanje, pritisnite bravu glačala u

položaj "☞", zatim možete ukloniti glačalo kako biste glačali odjeću (pogledajte sl. 1). Cijela parna postaja može se podići pomoću drške glačala nakon što je glačalo pravilno zaključano na bazi (pogledajte sl. 2).



Sl. 1



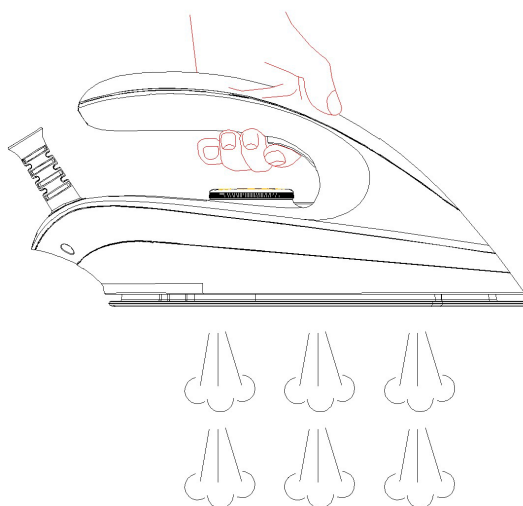
Sl. 2

Okidač za paru

Nakon pritiskanja gumba za uključivanje i odabira željene razine pare, gumb označava da se para može koristiti za glačanje kada indikator razine pare prestane treperiti i počne svijetliti. U tom trenutku lagano pritisnite okidač za paru, para će se neprekidno raspršivati iz ploče za glačanje. Kad otpustite okidač za paru, uređaj se može koristiti samo za suho glačanje bez pare.

Mlaz pare

Dvaput brzo pritisnite okidač za paru kako bi izašao mlaz pare, što će trajati 6 minuta (pogledajte sl. 3). Ako želite prekinuti mlaz pare tijekom rada, potrebno je samo jednom pritisnuti okidač za paru ili bilo koji gumb na upravljačkoj ploči.



Sl. 3

Indikator za uklanjanje kamenca

Ako svijetli indikator za uklanjanje kamenca, to znači da generator pare treba očistiti od mineralnih naslaga koje se nakupljaju do određenog stupnja. Kada sustav provjeri da su mineralne naslage uklonjene, indikator će se ugasiti.

Kutija za pohranu kabela za napajanje i kutija za pohranu crijeva za dovod pare

Kada se ne koristi, crijevo za dovod pare i kabel za napajanje mogu se složiti i pohraniti u odgovarajuće kutije za pohranu.

Automatsko isključivanje

Uređaj će se automatski isključiti ako ne aktivirate funkciju "Pare" ili kontrolne gumb na upravljačkoj ploči u roku od 10 minuta.

PRIJE PRVE UPORABE

1. Uklonite naljepnicu ili zaštitnu foliju s ploče za glačanje.
2. Napunite spremnik vodom i zagrijte glačalo na maksimalnu temperaturu, a zatim glačajte preko vlažne krpe nekoliko minuta kako biste uklonili ostatke s ploče za glačanje u skladu s odjeljkom "Glačanje na paru".

NAPOMENA:

- 1) Normalno je da čudan miris izlazi iz uređaja tijekom prve uporabe. To će nakon nekog vremena prestati.*
- 2) Pri prvoj uporabi glačala, iz ploče za glačanje može izaći malo čestica. To je normalno; te čestice su bezopasne i nakon kratkog vremena prestanu izlaziti iz glačala.*
- 3) Kad aktivirate funkciju "Pare", uređaj može proizvesti zvuk pumpanja. To je normalno; zvuk označava pumpanje vode u generator pare.*
- 4) Tijekom procesa zagrijavanja ploče za glačanje, iz ploče za glačanje automatski će izlaziti malo pare i to će trajati oko 3 sekunde, što je normalno.*
- 5) Nakon prve uporabe u crijevu za dovod pare bit će malo vode za kondenzaciju. Ali tijekom druge uporabe voda za kondenzaciju raspršit će se zajedno s parom na početku ispuštanja pare. To će trajati nekoliko sekundi. To je normalna pojava.*

3. Uređaj će se automatski isključiti ako svi indikatori pet puta zatrepere zajedno s pet zvučnih signala koji se mogu čuti nakon uključivanja, u tom slučaju obratite se servisu.

UPORABA PARNE POSTAJE

Uređaj ima dva načina glačanja. Možete koristiti suho glačanje ili glačanje na paru, a pojedinosti se odnose na sljedeće:

Suho glačanje

1. Postavite bazu na stabilnu i ravnu površinu, a zatim glačalo stavite na termoizolacijsko postolje baze.
2. Spojite uređaj s izvorom napajanja i pritisnite gumb za uključivanje, indikator napajanja se uključuje.
3. Okrenite regulator temperature na željenu postavku, koja ovisi o tkanini odjeće. Glačalo se počinje zagrijavati, a indikator temperature svijetlit će tijekom zagrijavanja. Pogledajte odjeljak "**SAVJETIZA GLAČANJE**".
4. Indikator temperature isključit će se kada se dosegne odabrana temperatura. Sada možete početi s glačanjem.

UPOZORENJE: Nikada ne dodirujte vruću ploču za glačanje prije nego što se ohladi!

Glačanje na paru

1. Postavite bazu na stabilnu i ravnu površinu.
2. Uhvatite dršku spremnika za vodu kako biste uklonili spremnik za vodu, a zatim ga napunite vodom kroz otvor za punjenje. Bolje upotrijebite pročišćenu vodu s manje čestica kalcija. Nakon toga pravilno postavite spremnik za vodu. Maksimalni kapacitet spremnika za vodu je 1,7 l, razina vode ne smije biti veća od oznake MAX.
2. Stavite glačalo na termoizolacijsko postolje baze.
3. Spojite uređaj s izvorom napajanja, pritisnite gumb za uključivanje i treperit će zadani indikator niske razine pare. Postoje tri načina rada, uključujući nisku, srednju i visoku razinu pare. Možete odabrati željenu razinu pare za svaki odjevni predmet prema vašem zahtjevu.

Pobrinite se da u spremniku ima dovoljno vode.

4. Okrenite regulator temperature na željenu postavku, koja ovisi o tkanini odjeće. Glačalo se počinje zagrijavati, a indikator temperature svijetlit će tijekom zagrijavanja. Kad odaberete temperaturu, **pogledajte odjeljke "SAVJETI ZA GLAČANJE" i "DODATNA TABLICA"**.

5. Nakon nekoliko minuta indikator temperature će se ugасiti. To označava da je ploča za glačanje

postigla odabranu temperaturu. Kad indikator odabrane razine pare

prestane treperiti i počne svijetliti, to znači da je glačalo spremno za glačanje odjeće pomoću pare.

6. Lagano pritisnite okidač za paru, para će se kontinuirano raspršivati iz ploče za glačanje, a zatim možete glačati odjeću pomoću pare.

7. Dvaput brzo pritisnite okidač za paru kako bi izašao mlaz pare ako trebate izglačati veliki nabor na odjeći.

Napomena: Tijekom prskanja pare može doći do kapanja vode kada je temperatura ploče za glačanje na drugoj postavci ili niža od nje. To je normalna pojava.

Oprez:

1) Nikada ne dodirujte vruću ploču za glačanje prije nego što se ohladi!

2) Nikad ne usmjeravajte paru na ljude!

3) Nemojte aktivirati okidač za paru kada glačalo postavite na bazu kako biste izbjegli opekline od pare.

8. Nakon glačanja pritisnite tipku za uključivanje dulje od 2 sekunde i uređaj će se isključiti, a svi indikatori će se ugасiti. Izvucite utikač iz zidne utičnice. Dok je ploča za glačanje još uvijek vruća, nikada je ne dodirujte rukom, stavite je na termoizolacijsko postolje dok se potpuno ne ohladi.

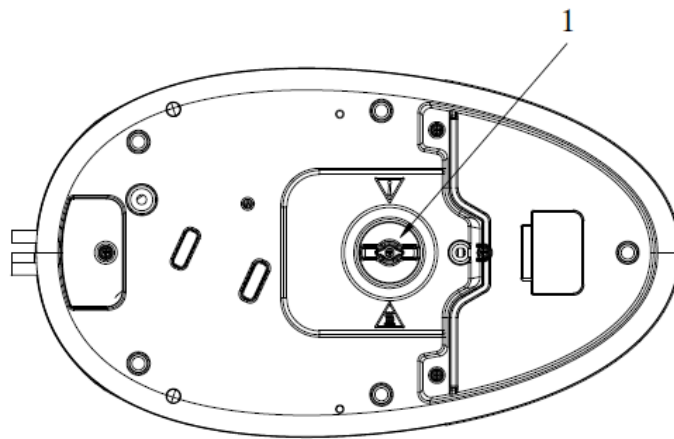
FUNKCIJA AUTOMATSKOG ČIŠĆENJA

Ako svijetli "Indikator za uklanjanje kamenca", to znači da generator pare treba očistiti od mineralnih naslaga koje se nakupljaju do određenog stupnja. Kada sustav provjeri da su mineralne naslage uklonjene, "Indikator za uklanjanje kamenca" će se ugasiti.

Prije čišćenja provjerite svijetli li "Indikator za uklanjanje kamenca", a zatim odspojite uređaj iz utičnice i ostavite da se ohladi.

1. Uklonite spremnik za vodu, podignite bazu i stavite je na ravnu površinu, a zatim okrenite gumb u smjeru suprotnom od kazaljke na satu na dnu baze kako biste je uklonili.

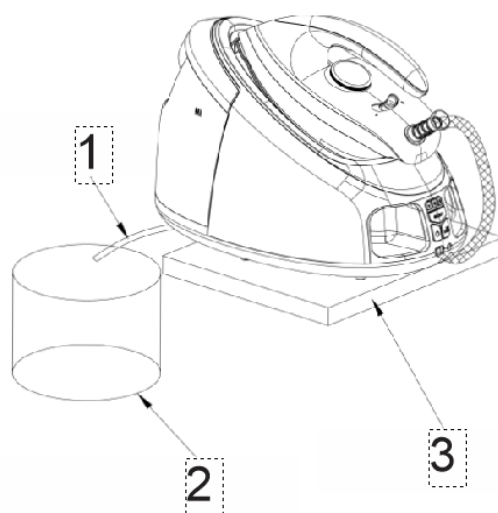
UPOZORENJE: Kako biste izbjegli opasnost od opekline, provjerite je li uređaj potpuno ohlađen prije uklanjanja regulatora, položaj 1 na slici ispod.



2. Postavite odvodni priključak u odvodnu cijev.

3. Postavite bazu na prikladan i pričvršćen stol, a zatim stavite silikonsku cijev u spremnik, nakon toga napunite spremnik vodom i vratite ga u položaj (pogledajte sl.4). Pobrinite se da uređaj bude stabilno postavljen.

Broj	Opis
1	Silikonska cijev
2	Spremnik
3	Pričvršćeni stol



Sl.4

4. Spojite uređaj na izvor napajanja, pritisnite gumb za uključivanje, zatim istodobno držite i pritisnite "Gumb za uklanjanje kamenca" i "Okidač za paru" oko 1 sekunde, tada će se začuti zvučni signal i indikator za uklanjanje kamenca počinje treperiti, a zatim uređaj počinje čistiti generator pare, a para i kamenac izlaze iz generatora pare. Nakon 3 minute začut će se jedan zvučni signal, indikator za uklanjanje kamenca se gasi i uređaj se automatski isključuje.

NAPOMENA: Tijekom čišćenja nemojte dodirivati ili se približavati spremniku kako biste izbjegli opekline.

5. Iskopčajte i izvadite spremnik za vodu, a zatim glačalo stavite na ravnu površinu, nakon toga podignite bazu i stavite je na ravnu površinu, a zatim okrenite gumb u smjeru kazaljke na satu kako biste ga zategnuli i dobro postavili priključak za odvod. Na kraju, podignite bazu i stavite glačalo na termoizolacijsko postolje baze.

ČIŠĆENJE I ODRŽAVANJE

Prije čišćenja prvo odspojite uređaj iz utičnice i pustite da se ohladi.

1. Obrišite ostatke i sve druge naslage s ploče za glačanje vlažnom krpom ili neabrazivnim (tekućim) sredstvom za čišćenje.

NAPOMENA: *Nemojte koristiti kemijska, čelična, drvena ili abrazivna sredstva za čišćenje ploče za glačanje.*

2. Očistite gornji dio glačala mekom vlažnom krpom. Obrišite kapljice vode s baze i termoizolacijskog postolja suhom krpom.
3. Izvršite automatsko čišćenje slijedeći postupak opisan u odjeljku "**FUNKCIJA AUTOMATSKOG ČIŠĆENJA**" kad zasvijetli "Indikator za uklanjanje kamenca".
4. Kad uređaj ne koristite dulje vrijeme, izlijte vodu iz spremnika, zakrenite regulator temperature na minimalnu postavku i spremite glačalo na termoizolacijsko postolje, a zatim gurnite bravu glačala u položaj za zaključavanje kako biste dobro zaključali glačalo.
Napomena: Cijelu parnu postaju možete podići pomoću drške glačala nakon što je glačalo pravilno zaključano na bazi.
5. Kada se ne koristi, crijevo za dovod pare i kabel za napajanje mogu se složiti i pohraniti u odgovarajuće kutije za pohranu, a zatim uređaj stavite na mjesto izvan dohvata djece.

SAVJETI ZA GLAČANJE

-Prvo provjerite je li etiketa s uputama za glačanje pričvršćena na odjevni predmet. U svakom slučaju slijedite ove upute za glačanje.

- Glačalo se zagrijava brže nego što se hladi, stoga biste trebali početi glačati odjeću koja zahtijeva najnižu temperaturu poput one od sintetičkih vlakana.

-Ako se tkanina sastoji od različitih vrsta vlakana, uvijek trebete odabrati najnižu temperaturu glačanja kako biste izglačali takva vlakna.

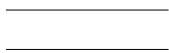
- Sintetička vlakna i svilene tkanine treba glačati s unutarnje strane kako bi se izbjegao sjaj.

-Baršunaste i druge teksture koje brzo postaju sjajne treba glačati u jednom smjeru laganim pritiskom. Glačalo se uvijek pomiče u bilo kojem trenutku.

-Čiste vunene tkanine (100 % vuna) mogu se glačati parnim glačalom. Poželjno je podesiti regulator temperature na treći položaj i koristiti suhu krpu kao podlogu.

- Nikada ne glačajte preko patentnog zatvarača, nitne u tkanini. To će oštetiti ploču za glačanje. Glačajte oko bilo kojeg takvog dijela.

EKOLOŠKI PRIHVATLJIVO ZBRINJAVANJE



*Možete pomoći zaštititi okoliš!
Molimo vas da poštujuete lokalne propise:
pokvarenu električnu opremu predajte u
odgovarajući centar za odlaganje otpada.*

POMEMBNI VARNOSTNI NAPOTKI

Pred uporabo električne naprave je treba vedno upoštevati naslednje osnovne varnostne ukrepe:

Preberite celotna navodila.

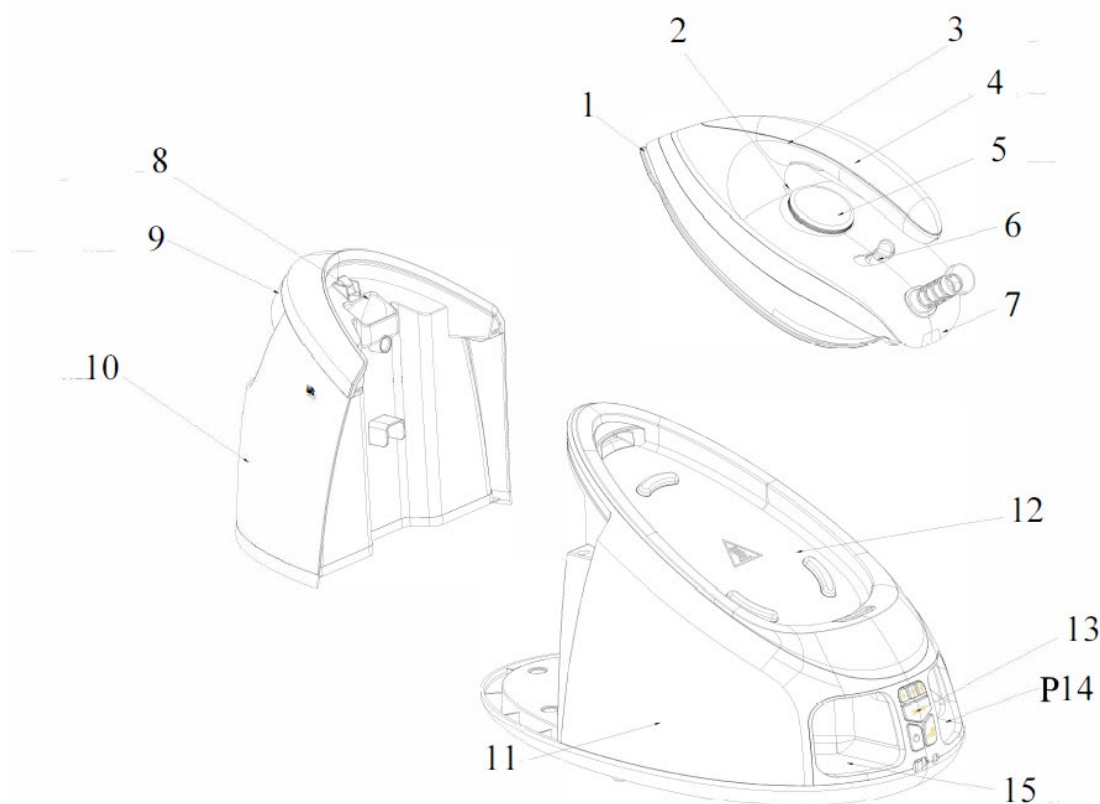
1. Pred uporabo naprave preverite, ali napetost stenske vtičnice ustreza tisti, ki je prikazana na tipski ploščici.
2. Naprave ne uporabljajte, če so glavni kabel, vtič, luč ali sama naprava vidno poškodovani, če je naprava padla na tla ali pušča. Odnosite jo v najbližji pooblaščen servisni center ali k usposobljenemu serviserju na pregled in popravilo, da se izognete nevarnosti.
3. Poškodovan napajalni kabel sme zamenjati le proizvajalec ali pooblaščen serviser oz. druga strokovno usposobljena oseba, saj je sicer lahko takšno opravilo nevarno.
4. Ne dovolite, da kabel pride v stik z likalno ploščo, ko je vroča.
5. Ob dotiku vročih kovinskih delov, vroče vode ali pare lahko nastanejo opekline.
6. Ne pustite, da kabel visi čez rob mize ali da leži na vroči površini.
7. Za zaščito pred nevarnostjo električnega udara, likalnika nikoli ne potaplajte v vodo ali druge tekočine. Če se to zgodi, naprave ne uporabljajte več in jo zavrzite.
8. Ne puščajte likalnika brez nadzora, medtem ko je priključen na napajanje ali je na likalni deski.
9. Napravo vedno namestite na stabilno, ravno in vodoravno površino.
10. Uporaba dodatne opreme, ki je proizvajalec ni priporočil, lahko povzroči poškodbe oseb ali škodo na napravi.
11. Ko likalnik postavljate na stojalo, se prepričajte, da je površina, na kateri stoji stabilna.
12. Gumb na dnu podnožja naprave mora biti med uporabo vedno dobro zaprt.
13. Rezervoarja za vodo nikoli ne napolnite z vročo vodo, dišavo, kisom, škrobom, sredstvom za odstranjevanje vodnega kamna, mehčalcem za tkanine ali drugim kemičnim reagentom.
14. Pred polnjenjem z vodo ali čiščenjem izključite napravo iz vtičnice.
15. Naprave ne uporabljajte za druge namene kot za predvideno uporabo.
16. To napravo smejo uporabljati otroci, starejši od 8 let, in osebe z zmanjšanimi fizičnimi, senzoričnimi ali psihičnimi sposobnostmi ali pomanjkanjem izkušenj in znanja, če so pod nadzorom odgovorne osebe oziroma če so bili poučeni o pravilni uporabi naprave ter o

- nevarnostih, povezanih z njeno uporabo.
17. Otroci se z napravo ne smejo igrati. Otroci ne smejo čistiti ali vzdrževati naprave brez nadzora odgovorne osebe.
 18. Likalnika ne uporabljajte, če je padel na tla, če so na likalniku vidni znaki poškodb ali če pušča.
 19. Likalnik in kabel hranite zunaj dosega otrok, mlajših od 8 let, ko je ta priključen ali se ohlaja.
 20. Nikoli se ne dotikajte vroče likalne plošče, razen če je likalnik popolnoma ohlajen in odklopljen.
 21. Naprave ne uporabljajte na prostem.
 22. Shranite ta navodila.

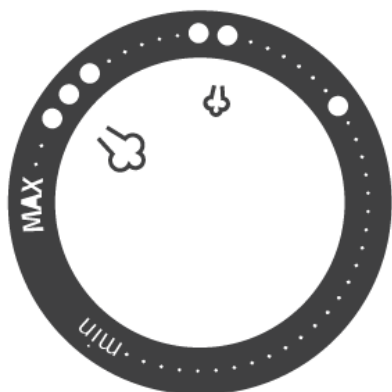
SAMO ZA DOMAČO UPORABO

SPOZNAJTE SVOJO PARNO LIKALNO POSTAJO

Številka	Opis
1	Likalna plošča
2	Indikator temperature
3	Sprožilec pare
4	Ročaj
5	Gumb za izbiro temperature
6	Gumb za zaklepanje likalnika na postajo
7	Likalnik
8	Odprtina za polnjenje
9	Ročaj rezervoarja za vodo
10	Rezervoar za vodo
11	Osnovna enota
12	Stojalo s toplotno izolacijo
13	Upravljalna plošča
14	Prostor za napajalni kabel
15	Prostor za parni kabel



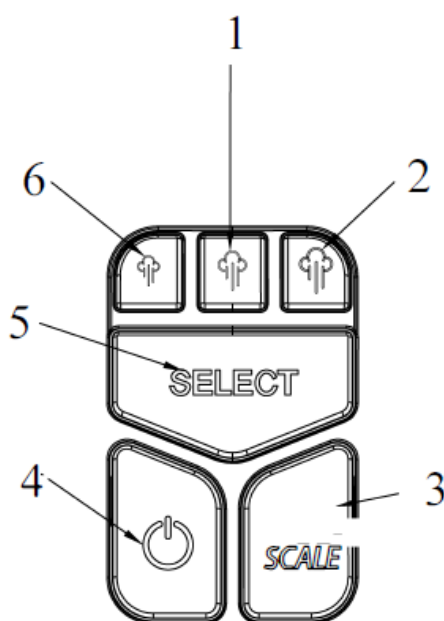
REGULATOR TEMPERATURE



●	Svila 80<T<120
● ●	Volna 115<T<160
● ● ●	Bombaž 170<T<215
MAX	Največja temperatura 175<T<225

UPRAVLJALNA PLOŠČA

Številka	Opis
1	Srednja količina pare
2	Visoka količina pare
3	Gumb za odstranjevanje vodnega kamna
4	Gumb za vklop/izklop
5	Nadzor količine pare
6	Nizka količina pare



Odprtina za polnjenje

Rezervoar za vodo napolnite z vodo skozi odprtino za polnjenje rezervoarja za vodo. Prepričajte se, da voda ne presega oznake MAX na rezervoarju za vodo.

Gumb za vklop/izklop

Priključite napravo in pritisnite gumb za vklop/izklop, indikator vklopljenosti bo zasvetil. Nizka količina pare je privzeta nastavitev in njen indikator bo utripal. Držite in pritisnite gumb za vklop/izklop za več kot 2 sekundi, da izklopite napravo.

Gumb za nadzor količine pare

Izberete lahko nizko, srednjo ali visoko količino pare z gumbom za nadzor količine pare. Indikator izbrane količine pare bo začel utripati in po končanem predgretju začel svetiti, kar pomeni, da je funkcija pare pripravljena za uporabo. Indikator izbrane količine pare bo utripal, ko količino pare prestavite z nizke na visoko nastavitev, medtem ko bo še naprej svetil, ko hitrost pare prestavite z visoke na nizko nastavitev.

Regulator temperature

Obrnite gumb za nastavitev temperature likanja glede na oblačilo, ki ga želite zlikati.

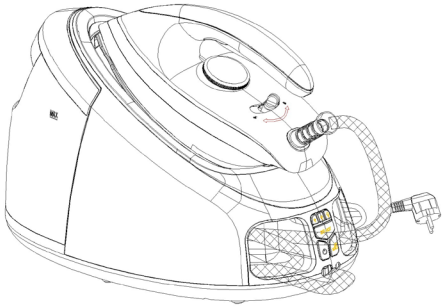
Indikator temperature

Naprava se bo začela segrevati, ko ne bo dosegla izbrane temperature. Indikator temperature bo svetil, ko se naprava segreva. Ko naprava doseže izbrano temperaturo, indikator temperature ugasne. Indikator temperature se bo med delovanjem večkrat vklopil in izklopil, saj likalnik med likanjem vzdržuje izbrano temperaturo .

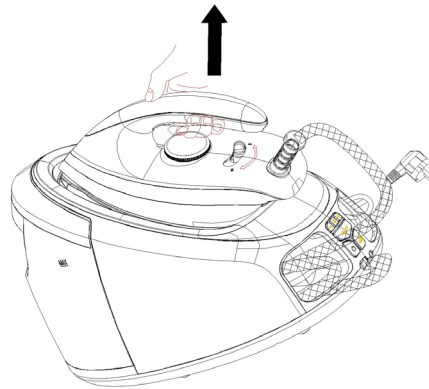
Ključavnica likalnika

Postavite likalnik na stojalo s toplotno izolacijo na podnožju enote, nato potisnite ključavnico likalnika v položaj "🔒", da zaklenete likalnik na podnožje enote. Če želite odkleniti napravo, potisnite ključavnico likalnika v položaj "🔓", nato pa lahko likalnik

snamete in začnete likate oblačila (glejte sliko 1). Celotno parno likalno postajo lahko dvignete tako, da primete za ročaj likalnika, potem ko je likalnik pravilno pritrjen na podnožje enote (glejte sliko 2).



Slika 1



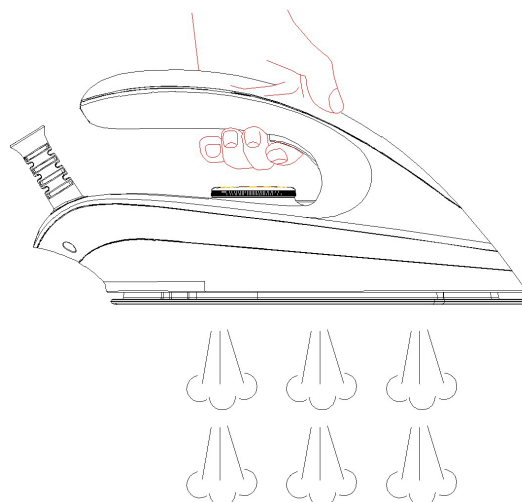
Slika 2

Sprožilec pare

Ko pritisnete gumb za vklop/izklop in izberete želeno količino pare, lahko začnete uporabljati funkcijo pare za likanje, ko indikator količine pare neha utripati in začne svetiti. Takrat pritisnite sprožilec pare z malo sile, para pa bo začela neprekinjeno pršiti iz likalne plošče. Ko sprostite sprožilec pare, lahko napravo uporabljate samo za suho likanje brez pare.

Brizg pare

Hitro dvakrat pritisnite sprožilec pare, da sprožite brizg pare, ki bo trajal 6 minut (glejte sliko 3). Če želite med delom ustaviti brizganje pare, morate le enkrat pritisniti sprožilec pare ali kateri koli gumb na upravljalni plošči.



Slika 3

Indikator za odstranjevanje vodnega kamna

Če sveti indikator za odstranjevanje vodnega kamna, je treba iz generatorja pare očistiti mineralne usedline. Ko sistem zazna, da so mineralne usedline odstranjene, indikator ugasne.

Prostor za shranjevanje napajalnega kabla in cevi za dovod pare

Ko cev za dovod pare in napajalni kabel nista v uporabi, ju je mogoče zložiti in shraniti v temu namenjen prostor za shranjevanje.

Samodejni izklop

Naprava se bo samodejno izklopila, če ne aktivirate funkcije "Para" ali kontrolnih gumbov na upravljalni plošči v 10 minutah.

PRED PRVO UPORABO

1. Odstranite nalepko ali zaščitno folijo z likalne plošče.
2. Rezervoar za vodo napolnite z vodo in segrejte likalnik pri najvišji temperaturi, nato pa nekaj minut likajte čez kos vlažne krpe, da odstranite ostanke na likalni plošči v skladu s poglavjem "Likanje s paro".

OPOMBA:

- 1) Normalno je, da med prvo uporabo iz naprave uhaja nenavaden vonj. Ta bo čez nekaj časa izginil.*
 - 2) Ko likalnik prvič uporabite, lahko z likalne plošče odpade nekaj delcev. To je normalno; delci so neškodljivi in čez nekaj časa nehajo odpadati z likalnika.*
 - 3) Ko aktivirate funkcijo "Para", lahko naprava proizvaja zvok črpanja. To je normalno; ta zvok vam pove, da naprava črpa vodo v generator pare.*
 - 4) Med postopkom segrevanja likalne plošče bo iz likalne plošče samodejno uhajalo malo pare, ta pojav pa bo trajal približno 3 sekunde, kar je normalno.*
 - 5) Po prvi uporabi bo v cevi za dovod pare nekaj kondenzacijske vode. Med drugo uporabo pa se kondenzacijska voda razprši skupaj s paro na začetku sproščanja pare. Ta pojav bo trajal nekaj sekund. To je normalno.*
3. Naprava se bo samodejno izklopila, če vsi indikatorji petkrat utripajo skupaj s petimi

piski, ki jih je mogoče slišati po vklopu. V tem primeru se obrnite na poprodajni servis.

UPORABA PARNE LIKALNE POSTAJE

Naprava podpira dva načina likanja. Uporabite lahko suho likanje ali parno likanje:

Suho likanje

1. Postavite podnožje enote na stabilno in ravno površino, nato pa likalnik postavite na stojalo s toplotno izolacijo na podnožju enote.
2. Napravo priključite na vir napajanja in pritisnite gumb za vklop, indikator vklopljenosti se vklopi.
3. Obrnite regulator temperature na zeleno nastavitev, ki je odvisna od tipa oblačila. Likalnik se začne segrevati, indikator temperature pa bo med segrevanjem močno svetil. Glejte **"NASVETIZA LIKANJE"**.
4. Indikator temperature se bo izklopil, ko bo dosežena izbrana temperatura. Zdaj lahko začnete z likanjem.

OPOZORILO: Nikoli se ne dotikajte vroče likalne plošče, preden se ohladi!

Parno likanje

1. Postavite podnožje enote na stabilno in ravno površino.
2. Primite ročaj rezervoarja za vodo, da odstranite rezervoar za vodo, nato pa ga napolnite z vodo skozi odprtino za polnjenje. Bolje je uporabiti prečiščeno vodo z manj kalcijevimi delci. Nato pravilno ponovno namestite rezervoar za vodo. Največja prostornina rezervoarja za vodo je 1,7 l, raven vode ne sme presegati oznake MAX.
2. Postavite likalnik na stojalo s toplotno izolacijo na podnožju enote.
3. Napravo priključite na vir napajanja, pritisnite gumb za vklop in indikator privzete nizke količine pare bo utripal. Na voljo so trije načini, in sicer nizka, srednja in visoka količina pare. Izberete lahko zeleno količino pare za vsako oblačilo glede na vaše zahteve. Poskrbite, da bo v rezervoarju dovolj vode.
4. Obrnite regulator temperature na zeleno nastavitev, ki je odvisna od tipa oblačila. Likalnik se začne segrevati, indikator temperature pa bo med segrevanjem močno svetil. Glejte

"NASVETI ZALIKANJE" in " DODATNA TABELA", ko izbirate temperaturo.

5. Po nekaj minutah indikator temperature ugasne, kar pomeni, da je temperatura likalne plošče dosegla izbrano temperaturo. Ko indikator izbrane količine pare preneha utripati in začne svetiti, to pomeni, da je likalnik pripravljen za likanje oblačil s paro.
6. Pritisnite sprožilec pare z malo sile in para bo začela nenehno pršeti iz likalne plošče, tako da lahko likate oblačila s paro.
7. Hitro dvakrat pritisnite sprožilec pare, da brizgnete paro iz likalne plošče, če morate odstraniti trdovratnejše gube.

Opomba: Med pršenjem pare lahko pride do kapljanja vode, ko je temperatura likalne plošče na drugi nastavitvi ali nižje. To je normalno.

Pozor:

- 1) ***Nikoli se ne dotikajte vroče likalne plošče, preden se ohladi!***
 - 2) ***Nikoli ne usmerjajte pare proti ljudem!***
 - 3) ***Ne aktivirajte sprožilca pare, ko je likalnik nameščen na podnožje enote, da se izognete opeklinam zaradi vroče pare.***
8. Po koncu likanja pritisnite gumb za vklop za več kot 2 sekundi, naprava se bo izklopila, vsi indikatorji pa bodo ugasnili. Odstranite vtič iz stenske vtičnice. Če je likalna plošča še vedno vroča, se je nikoli ne dotikajte z roko, postavite jo na stojalo s toplotno izolacijo, dokler se popolnoma ne ohladi.

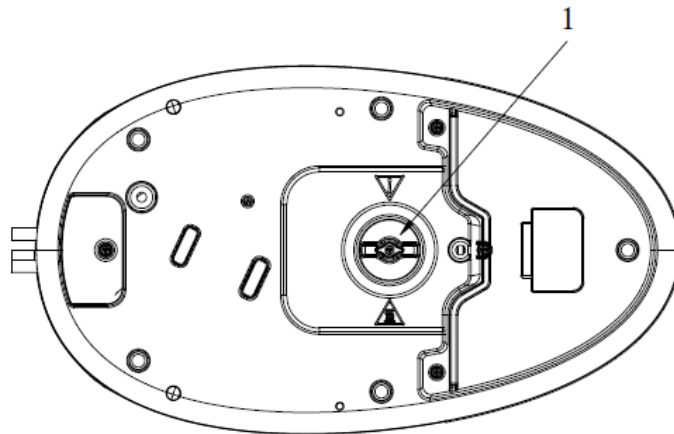
FUNKCIJA SAMODEJNEGA ČIŠČENJA

Če sveti "Indikator za odstranjevanje vodnega kamna", je treba iz generatorja pare očistiti mineralne usedline. Ko sistem zazna, da so mineralne usedline odstranjene, indikator ugasne. Pred čiščenjem se prepričajte, da "Indikator za odstranjevanje vodnega kamna" sveti, nato izklopite napravo in počakajte, da se ohladi.

1. Odstranite rezervoar za vodo, obrnite podnožje enote na glavo in ga položite na ravno površino, nato zavrtite gumb na dnu podnožja enote v nasprotni smeri urinega kazalca, da jo odstranite.

OPOZORILO: Da bi se izognili nevarnosti nastanka opeklin, se prepričajte, da je naprava

popolnoma ohlajena, preden odstranite gumb na položaju 1 na spodnji sliki.

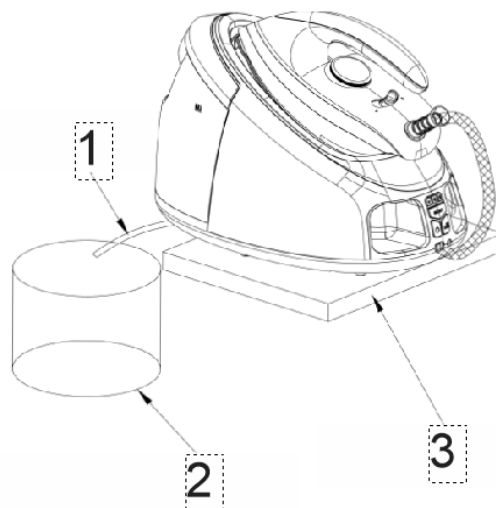


2. Namestite odtočno cev na priključek.

3. Postavite podnožje enote na primerno in čvrsto stoječo mizo, vstavite silikonsko cev v posodo, napolnite rezervoar za vodo z vodo in ga namestite nazaj v napravo (glejte sliko4).

Prepričajte se, da naprava varno stoji na ravni površini.

Številka	Opis
1	Silikonska cev
2	Posoda
3	Čvrsto stoječa miza



Slika 4

4. Priključite napravo na vir napajanja, pritisnite gumb za vklop in nato držite ter hkrati pritisnite "Gumb za odstranjevanje vodnega kamna" in "Sprožilec pare" približno 1 sekundo. Zasliši se pisk in indikator za odstranjevanje vodnega kamna začne utripati, nato pa naprava začne čistiti generator pare. Iz generatorja pare bosta približno 3 minute iztekali para in usedlina, zaslišal se bo še en pisk, indikator za odstranjevanje vodnega kamna bo ugasnil, naprava pa se bo samodejno izklopila.

OPOMBA: Med čiščenjem se ne dotikajte posode in se ji ne približujte, da se izognete opeklinam.

5. Odklopite in odstranite rezervoar za vodo, nato likalnik položite na ravno površino, obrnite podnožje enote na glavo in ga postavite na ravno površino, nato pa zavrtite gumb v smeri urinega kazalca, da ga zategnete in namestite odtočni priključek v svoj položaj. Nazadnje obrnite podnožje enote nazaj v svoj položaj in likalnik postavite na stojalo s toplotno izolacijo na podnožju enote.

ČIŠČENJE IN VZDRŽEVANJE

Pred čiščenjem najprej odklopite napravo iz električnega omrežja in pustite, da se ohladi.

1. Ostanke in vse druge usedline na likalni plošči obrišite z vlažno krpo ali neabrazivnim (tekočim) čistilom.

OPOMBA: Za čiščenje likalne plošče ne uporabljajte kemičnih, jeklenih, lesenih ali abrazivnih čistil.

2. Zgornji del likalnika očistite z mehko vlažno krpo. Obrišite ostanke vode na podnožju enote in stojalu s toplotno izolacijo s suho krpo.

3. Samodejno čiščenje izvedite tako, da sledite postopku, opisanemu v poglavju "**FUNKCIJA AUTO-CLEAN**", ko zasveti "Indikator za odstranjevanje vodnega kamna".

4. Ko naprave dlje časa ne uporabljate, izlijte vodo iz rezervoarja, obrnite regulator temperature na minimalno nastavitev in likalnik postavite na toplotno izolacijsko mesto,

nato pa ključavnico potisnite v položaj zaklepanja, da likalnik dobro zaklenete.

Opomba: Celotno parno likalno postajo lahko dvignete tako, da primete ročaj likalnika, potem ko je likalnik pravilno zaklenjen na podnožju enote.

5. Ko je ne uporabljate, lahko cev za dovod pare in napajalni kabel zložite in shranite v njihovih prostorih za shranjevanje, nato pa napravo postavite na mesto, ki je zunaj dosega otrok.

NASVETI ZA LIKANJE

-Vedno najprej preverite, ali je na kosu oblačila nalepka z navodili za likanje. V vsakem primeru upoštevajte ta navodila za likanje.

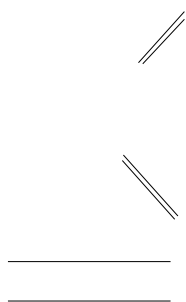
-Likalnik se hitreje segreje kot ohladi, zato najprej zlikajte kose oblačil, ki zahtevajo najnižjo temperaturo, kot so npr. izdelki iz sintetičnih vlaken.

-Če je tkanina sestavljena iz različnih vrst vlaken, morate vedno izbrati temperaturo likanja, ki ustreza vrsti vlaken, ki zahtevajo najnižjo temperaturo.

- Sintetična vlakna in svilene tkanine je treba likati na notranji strani. Žamet in druge materiale, ki hitro postanejo sijoči, je treba likati v eno smer z rahlim pritiskom. Likalnik vedno premikajte.

- S parnim likalnikom lahko likate čiste volnene tkanine (100-% volna). Po možnosti nastavite regulator temperature na tretji položaj in uporabite suho krpo kot podlogo. Nikoli ne likajte čez zadrگو ali kovico v blagu. To bo poškodovalo likalno ploščo. Likajte okrog tovrstnih predmetov.

OKOLJU PRIJAZNO ODSTRANJEVANJE



***Prispevate lahko k varovanju okolja!
Upoštevajte lokalne predpise: nedelujočo
električno opremo predajte ustreznemu centru za
odstranjevanje odpadkov.***

MASA MBROJTËSE TË RËNDËSISHME

Para se të përdorni pajisjen elektrike, gjithmonë duhet të ndiqni masat paraprake themelore, duke përfshirë sa vijon:

Lexoni të gjitha udhëzimet.

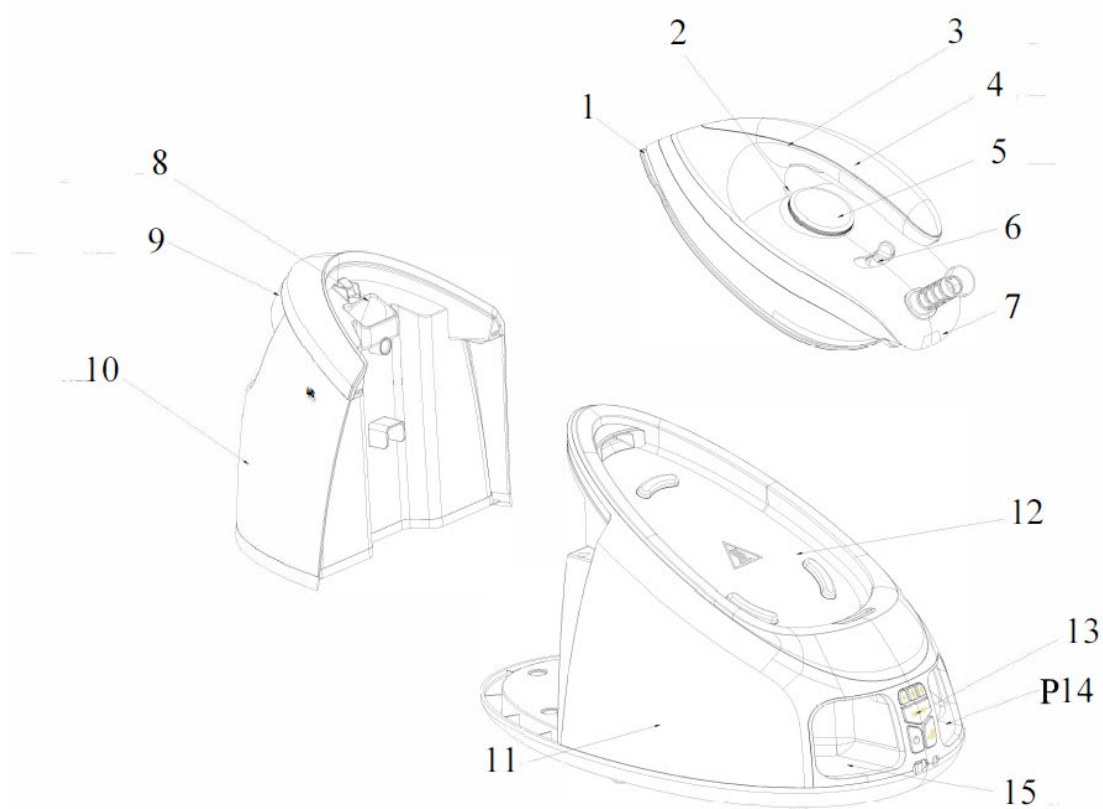
1. Para se ta përdorni, kontrolloni nëse tensioni i prizës së murit përkon me atë të treguar në pllakën e kapacitetit.
2. Mos e përdorni pajisjen nëse kabllot kryesor, priza, drita ose vetë pajisja tregojnë dëmtime të dukshme, ose pajisja është rrëzuar apo po rrjedh. Për të shmangur rrezikun, çojeni në pikën më të afërt të autorizuar të shërbimit ose një mjeshër të kualifikuar për ekzaminim dhe riparim.
3. Për të shmangur rrezikun, në qoftë se kabllot e furnizimit është e dëmtuar, ajo duhet të zëvendësohet nga prodhuesi, agjenti i tij i shërbimit ose nga persona me të njëjtin kualifikim.
4. Mos lejoni që kabllot të vijë në kontakt me pllakën kur është e nxehtë.
5. Djegiet mund të ndodhin nga prekja e pjesëve të nxehta metalike, ujit të nxehtë ose avullit.
6. Mos lejoni që kabllot të varet mbi skajin e tavolinës ose sipërfaqes së nxehtë.
7. Për t'u mbrojtur nga rreziku i goditjes elektrike, kurrë mos e zhysni hekurin në ujë ose lëngje të tjera. Nëse kjo ka ndodhur, mos e përdorni më këtë pajisje; hidheni pajisjen.
8. Mos e lini hekurin të pambikëqyrur ndërsa është i lidhur në furnizimin me energji elektrike ose në një dërrasë hekurosjeje.
9. Pajisjen vendoseni dhe përdoreni gjithmonë mbi një sipërfaqe të thatë, të qëndrueshme, të niveluar dhe horizontale.
10. Përdorimi i aksesorit që nuk rekomandohen nga prodhuesi mund të shkaktojë dëmtim të personave ose dëmtim të pajisjes.
11. Kur vendosni hekurin në mbajtësen e tij, sigurohuni që sipërfaqja mbi të cilën është vendosur mbajtësja të jetë e qëndrueshme.
12. Çelësi në fund të bazës së njësisë duhet të jetë gjithmonë i mbyllur mirë gjatë përdorimit.
13. Asnjëherë mos e mbushni rezervuarin e ujit me ujë të nxehtë, aromë, uthull, niseshte, zhgurëzues, zbutës pëlhure ose reagjent tjetër kimik.
14. Shkëputeni nga priza kur nuk është në përdorim, si dhe para mbushjes me ujë ose pastrimit.

15. Mos e përdorni pajisjen për qëllime të tjera përveç përdorimit të paraparë.
16. Kjo pajisje elektroshtëpiake mund të përdoret nga fëmijët e moshës 8 vjeç e sipër dhe nga personat me aftësi të kufizuara fizike, ndjesore ose mendore, apo me mungesë përvojë dhe njohurish, në rast se ata mbikëqyren ose udhëzohen dhe kuptojnë rreziqet e përfshira në lidhje me përdorimin e pajisjes elektroshtëpiake.
17. Fëmijët nuk duhet të luajnë me pajisjen elektroshtëpiake. Pastrimi dhe mirëmbajtja nga ana e përdoruesit nuk do të kryhen nga fëmijë pa mbikëqyrje.
18. Hekuri nuk duhet të përdoret nëse ka rënë në tokë, nëse ka shenja të dukshme dëmtimi ose nëse rrjedh.
19. Kur është me energji ose duke u ftohur, mbajeni hekurin dhe kabllon e tij larg nga fëmijët më të vegjël se 8 vjeç.
20. Asnjëherë mos e prekni pllakën e nxehtë nëse hekuri nuk është ftohur plotësisht dhe nuk është shkëputur nga priza.
21. Mos e përdorni në mjedise të jashtme.
22. Ruajini këto udhëzime.

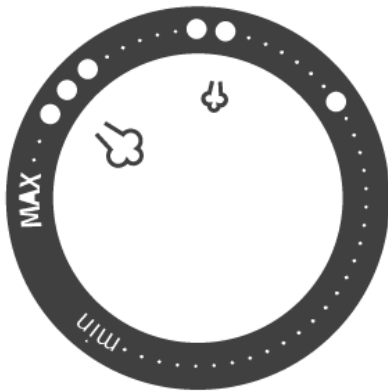
VETËM PËR PËRDORIM SHTËPIAK

NJIHNISTACIONIN TUAJ TË AVULLIT

Numri	Përshkrimi
1	Pllaka
2	Treguesi i temperaturës
3	Këmbëza e avullit
4	Doreza
5	Çelësi i temperaturës
6	Hekuri në bllokimin e stacionit
7	Hekuri
8	Hapja për mbushje
9	Doreza e rezervuarit të ujit
10	Rezervuari i ujit
11	Baza e njësisë
12	Mbajtësja e izolimit termik
13	Paneli i kontrollit
14	Hapësira ruajtëse e kabllor së energjisë
15	Hapësira ruajtëse e kabllor së avullit



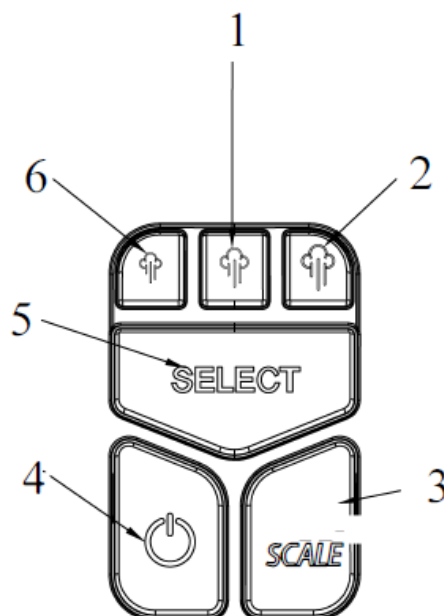
ÇELËSI I TEMPERATURËS



●	Mëndafsh $80 < T < 120$
● ●	Lesh $115 < T < 160$
● ● ●	Pambuk $170 < T < 215$
MAX	Maksimumi $175 < T < 225$

PANELI I KONTROLLIT

Numri	Përshkrimi
1	Avull i mesëm
2	Avulli i lartë
3	Butoni i zhgurëzimit
4	Butoni i ndezjes
5	Kontrolli i shkallës së avullit
6	Avulli i ulët



Hapja për mbushje

Mbushni rezervuarin e ujit me ujë përmes hapjes për mbushje të rezervuarit të ujit. Sigurohuni që uji të mos tejkalojë shenjën MAX të rezervuarit të ujit.

Butoni i ndezjes

Futni pajisjen në prizë dhe shtypni butonin e ndezjes, treguesi i energjisë do të ndriçojë, shkalla e ulët e avullit konsiderohet si e parazgjedhur dhe treguesi i saj do të vezullojë. Mbani shtypur butonin e ndezjes për më shumë se 2 sekonda, pajisja do të ndalet.

Butoni i kontrollit të shkallës së avullit

Shkalla e avullit mund të përzgjidhet në e ulët, e mesme ose e lartë nga butoni i kontrollit të shkallës së avullit. Cilado që të përzgjidhet, treguesi i saj do të vezullojë dhe do të ndriçohet fort pas përfundimit të nxehjes paraprake, që do të thotë se avulli është gati për përdorim. Treguesi i shkallës së përzgjedhur të avullit do të vezullojë kur shkalla e avullit të kalojë nga cilësimi i ulët në cilësimin e lartë, ndërsa do të ndriçohet fort kur shkalla e avullit të kalojë nga cilësimi i lartë në cilësimin e ulët.


Çelësi i temperaturës

Rrotulloni çelësin për të vendosur temperaturën e hekurosjes bazuar në veshjen që duhet hekurosur.

Treguesi i temperaturës

Pajisja do të nxehet derisa të arrijë temperaturën e përzgjedhur. Treguesi i temperaturës do të ndriçohet kur pajisja të jetë duke u nxehur. Pasi pajisja të ketë arritur temperaturën e përzgjedhur, treguesi i temperaturës do të shuhet. Treguesi i temperaturës do të ndizet dhe fiket ndërsa hekuri ruan temperaturën e përzgjedhur gjatë hekurosjes.

Bllokimi i hekurit

Vendosni hekurin në mbajtësen e izolimit termik të bazës së njësisë, pastaj shtyni bllokimin e hekurit në pozicionin “” për të bllokuar hekurin në bazën e njësisë. Për ta zhbllokuar,

shtypni bllokimin e hekurit në pozicionin “☞”, pastaj mund ta hiqni hekurin për të hekurosur rrobat (shih fig.1). I gjithë stacioni i avullit mund të ngrihet duke kapur dorezën e hekurit pasi hekuri të jetë mbyllur siç duhet në bazën e njësisë (shih fig.2).

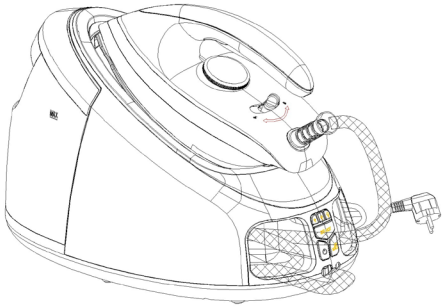


Fig.1

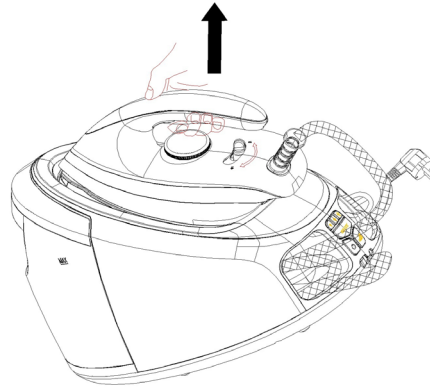


Fig.2

Këmbëza e avullit

Pas shtypjes së butonit të ndezjes dhe zgjedhjes së shkallës së dëshiruar të avullit, ai tregon se avulli mund të përdoret për hekurosje kur treguesi i shkallës së avullit ndryshon nga duke vezulluar në i ndriçuar fort. Gjatë asaj kohe, shtypni këmbëzën e avullit me pak forcë dhe avulli do të spërkatet vazhdimisht nga pllaka. Kur lironi këmbëzën e avullit, pajisja mund të përdoret vetëm për hekurosje të thatë pa avull

Dozë avulli

Shtypni shpejt këmbëzën e avullit dy herë për të prodhuar një dozë avulli, e cila do të zgjasë 6 minuta (shih fig.3). Nëse dëshironi të ndaloni prodhimin e dozës së avullit gjatë funksionimit, thjesht duhet të shtypni një herë këmbëzën e avullit ose ndonjë buton në panelin e kontrollit.

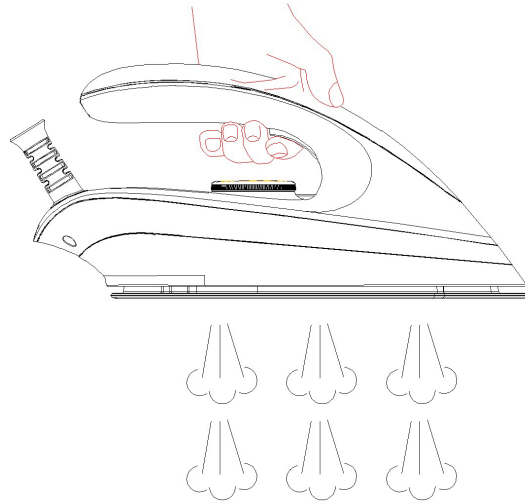


Fig.3

Treguesi i zhgurëzimit

Nëse treguesi i zhgurëzimit ndriçohet, ai tregon se prodhuesi i avullit duhet të pastrohet në bazë të depozitave minerale që grumbullohen deri në një masë. Kur sistemi sigurohet që depozitat minerale janë hequr, treguesi do të shuhet.

Kutia e ruajtjes së kabllorës së energjisë dhe kutia e ruajtjes së zorrës së furnizimit me avull

Kur nuk është në përdorim, zorra e furnizimit me avull dhe kablloja e energjisë mund të palosen mirë dhe të ruhen në kutitë e tyre përkatëse të ruajtjes.

Fikja automatike

Pajisja do të fiket automatikisht nëse nuk e aktivizoni funksionin "Steam" ose nuk i aktivizoni butonat e kontrollit në panelin e kontrollit brenda 10 minutave.

PARA PËRDORIMIT TË PARË

1. Hiqni çdo afishe ose fletë mbrojtëse nga pllaka.
2. Mbushni rezervuarin e ujit me ujë dhe nxehni hekurin në temperaturën maksimale, më pas hekurosni mbi një copë leckë të lagur për disa minuta me qëllim heqjen e çdo mbetjeje në pllakë, sipas seksionit të "Hekurosja me avull".

SHËNIM:

- 1) *Është normale që gjatë përdorimit të parë njësia të lëshojë një aromë të çuditshme. Kjo do të zgjasë vetëm një kohë të shkurtër.*
 - 2) *Disa grimca mund të dalin nga pllaka kur të përdorni hekurin për herë të parë. Kjo është normale; grimcat janë të padëmshme dhe pas një kohe të shkurtër, nuk do të dalin më nga hekuri.*
 - 3) *Kur aktivizoni funksionin "Steam", pajisja mund të prodhojë një tingull pompimi. Kjo është normale; tingulli ju tregon se po pompohet ujë në prodhuesin e avullit.*
 - 4) *Gjatë procesit të nxehjes së pllakës, do të dalë automatikisht pak avull nga pllaka dhe kjo dukuri do të vazhdojë për rreth 3 sekonda, kjo është normale.*
 - 5) *Pas përdorimit të parë, do të ketë pak ujë kondensimi në zorrën e furnizimit me avull. Por gjatë përdorimit dytë, uji i kondensimit do të spërkatet së bashku me avullin në fillim të lëshimit të avullit. Kjo dukuri do të vazhdojë për disa sekonda. Kjo është normale.*
3. Pajisja do të fiket automatikisht nëse pas ndezjes të gjithë treguesit vezullojnë pesë herë dhe dëgjoen pesë sinjale. Nëse ndodh kjo, kontaktoni me departamentin e shërbimit pas shitjes.

PËRDORIMI I STACIONIT TË AVULLIT

Pajisja ka dy mënyra hekurosjeje. Mund ta përdorni hekurosje e thatë ose hekurosjen me avull, detajet u referohen këtyre në vijim:

Hekurosja e thatë

1. Vendosni bazën e njësisë në një sipërfaqe të qëndrueshme dhe të niveluar dhe pastaj vendosni hekurin në mbajtësen e izolimit termik të bazës së njësisë.

2. Lidhni pajisjen me burimin e energjisë dhe shtypni butonin e ndezjes, treguesi i ndezjes aktivizohet.
3. Ktheni çelësin e temperaturës në cilësimin e dëshiruar, i cili varet nga pëlhura e veshjes. Hekuri fillon të nxehet dhe treguesi i temperaturës do të ndriçohet fort gjatë nxehjes. Referojuni seksionit "**KËSHILLA PËR HEKUROSIJE**".
4. Treguesi i temperaturës do të çaktivizohet kur të arrihet temperatura e përzgjedhur. Tani mund të filloni të hekurosni.

PARALAJMËRIM: Asnjëherë mos e prekni pllakën e nxehtë në asnjë kohë para se të ftohet!

Hekurosja me avull

1. Vendosni bazën e njësisë në një sipërfaqe të qëndrueshme dhe të niveluar.
2. Kapni dorezën e rezervuarit të ujit për të hequr rezervuarin e ujit, pastaj mbusheni me ujë përmes hapjes për mbushje . Duhet të përdorni ujë të pastruar, me më pak grimca kalciumi. Pas kësaj, zëvendësoni rezervuarin e ujit siç duhet. Kapaciteti maksimal i rezervuarit të ujit është 1.7 L, ndërsa niveli i ujit nuk duhet të tejkalojë shenjën MAX.
2. Vendosni hekurin në mbajtësen e izolimit termik të bazës së njësisë.
3. Lidhni pajisjen me burimin e energjisë, shtypni butonin e ndezjes dhe treguesi i paracaktuar i shkallës së ulët të avullit do të vezullojë. Ka tre modalitete në dispozicion, duke përfshirë shkallën e ulët, të mesme dhe të lartë të avullit. Ju mund të përzgjidhni shkallën e dëshiruar të avullit për secilën veshje sipas kërkesës suaj. Sigurohuni që të ketë ujë të mjaftueshëm në rezervuar.
4. Ktheni çelësin e temperaturës në cilësimin e dëshiruar, i cili varet nga pëlhura e veshjes. Hekuri fillon të nxehet dhe treguesi i temperaturës do të ndriçohet fort gjatë nxehjes. Kur të përzgjidhni temperaturën, referojuni seksionit "**KËSHILLA PËR HEKUROSIJEN**" dhe "**TABELA SHITESË**" si më poshtë.
5. Pas disa minutash, treguesi i temperaturës do të shuhet dhe në pllakë do të tregohet që temperatura ka arritur temperaturën e përzgjedhur. Kur treguesi i shkallës së përzgjedhur të avullit ndryshon nga duke vezulluar në i ndriçuar, kjo tregon se hekuri është gati për të hekurosur veshje me avull.
6. Shtypni këmbëzën e avullit me pak forcë, avulli do të spërkatet vazhdimisht nga pllaka

dhe pastaj ju mund ta hekurosni veshjen me avull.

7. Shtypni shpejt këmbëzën e avullit dy herë për të prodhuar dozë avulli nëse ke nevojë të heqësh ndonjë rrudhë të vështirë.

Vini re: kur temperatura e pllakës të jetë në dhe më e ulët se cilësimi i dytë, mund të pikojë ujë gjatë spërkatjes së avullit. Kjo është normale.

Kujdes:

1) Mos e prekni pllakën e nxehtë në asnjë kohë para se të ftohet!

2) Asnjëherë mos e drejtoni avullin nga njerëzit!

3) Mos e aktivizoni këmbëzën e avullit kur hekuri është vendosur në bazën e njësisë për të shmangur djegien nga avulli.

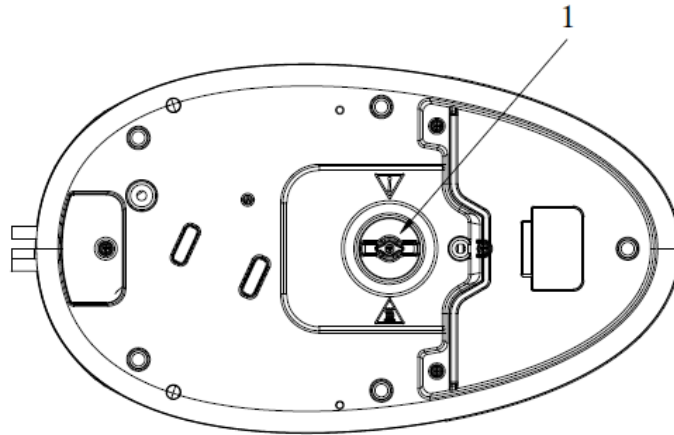
8. Pas hekurosjes, shtypni butonin e ndezjes për më shumë se 2 sekonda, pajisja do të çaktivizohet dhe te gjithë treguesit do të shuhen. Hiqni spinën nga priza e murit. Por pllaka është ende e nxehtë, mos e prekni fare me dorë, vendoseni në mbajtësen e izolimit termik derisa të ftohet plotësisht.

FUNKSIONI I PASTRIMIT AUTOMATIK

Nëse “Treguesi i zhgurëzimit” ndriçohet, ai tregon se prodhuesi i avullit duhet të pastrohet në bazë të depozitave minerale që grumbullohen deri në një masë. Kur sistemi sigurohet që depozitat minerale janë hequr, the “Treguesi i zhgurëzimit” do të shuhet. Para pastrimit, sigurohuni që "Treguesi i zhgurëzimit" të ndriçohet fort, pastaj shkëputeni pajisjen dhe lëreni të ftohet.

1. Hiqni rezervuarin e ujit, ngrini bazën e njësisë dhe vendoseni në një sipërfaqe të sheshtë, pastaj rrotulloni çelësin në drejtim kundër akrepave të orës në fund të bazës së njësisë për ta hequr atë.

KUJDES: Për të shmangur rrezikun e djegies, sigurohuni që pajisja të jetë ftohur plotësisht para se të hiqni çelësin, pozicioni 1 në foton më poshtë.



2. Instaloni lidhësin e kullimit në tubin e kullimit.

3. Vendosni bazën e njësisë në një tavolinë të përshtatshme dhe të qëndrueshme, pastaj vendosni tubin e silikonit në një enë, më pas mbushni rezervuarin e ujit me ujë dhe zëvendësojeni përsëri në pozicion (shihfig.4). Sigurohuni që pajisja të vendoset në mënyrë të qëndrueshme.

Numri	Përshkrimi
1	Tubi i silikonit
2	Ena
3	Tavolina e qëndrueshme

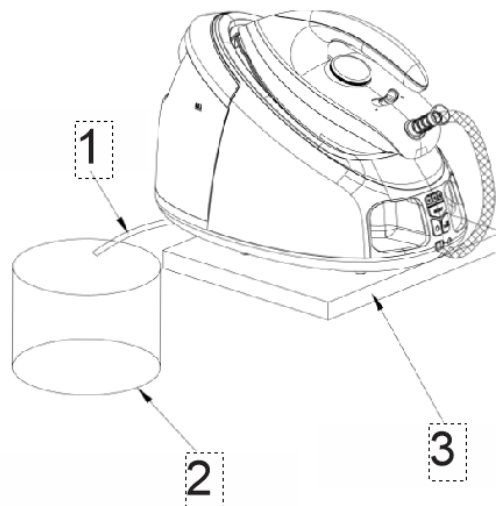


Fig.4

4.Lidhni pajisjen me burimin e energjisë, shtypni butonin e ndezjes, pastaj mbani dhe shtypni njëkohësisht "Butonin e i zhgurëzimit" dhe "Këmbëzën e avullit" për rreth 1 sekondë, me ç'rast mund të dëgjohet një sinjal dhe treguesi i zhgurëzimit fillon të vezullojë, atëherë pajisja fillon të pastrojë prodhuesin e avullit dhe avulli dhe smërçi rrjedhin nga prodhuesi i avullit. Rreth 3 minuta më vonë, mund të dëgjohet një sinjal, treguesi i zhgurëzimit shuhet dhe pajisja fiket automatikisht.

VINI RE: mos e prekni dhe as mos u afroni te ena gjatë pastrimit për të shmangur djegien.

5.Shkëputeni nga priza dhe hiqni rezervuarin e ujit, pastaj vendosni hekurin në një sipërfaqe të sheshtë. Pas kësaj, ngrini bazën e njësisë në këmbë dhe vëreni në një sipërfaqe të sheshtë, më pas rrotulloni çelësin kundër akrepave të orës për ta shtrënguar dhe instaloni lidhësin e kullimit fort në pozicion. Së fundi, ngrini bazën e njësisë në këmbë dhe vendosni hekurin në mbajtësen e izolimit termik të bazës së njësisë.

MIRËMBAJTJA DHE PASTRIMI

Para pastrimit, së pari shkëputni spinën e energjisë dhe lëreni pajisjen të ftohet.

1. Fshini mbetjet dhe çdo depozitë tjetër në pllakë me një leckë të lagur ose një pastrues jogërryes (të lëngshëm).

VINI RE: mos përdorni pastrues kimikë, çeliku, druri ose gërryes për të kruar pllakën.

2. Pastroni pjesën e sipërme të hekurit me një leckë të butë të lagur. Fshini pikat e ujit në bazën e njësisë dhe mbajtësen e izolimit termik me leckë të thatë.

3. Kryeni pastrimin automatik duke ndjekur veprimin e përshkruar në seksionin **“FUNKSIONI I PASTRIMIT AUTOMATIK”** kur ndriçohet **“Treguesi i zhgurëzimit”** .

4. Kur nuk e përdorni pajisjen për një kohë të gjatë, derdhni ujin në rezervuar, ktheni çelësin e temperaturës në cilësimin minimal dhe ruani hekurin në jastëkun termoizolues dhe pastaj shtyni bllokimin e hekurit në pozicionin e bllokimit për të kyçur pusin e hekurit.

Vini re: i gjithë stacioni i avullit mund të ngrihet duke kapur dorezën e hekurit pasi hekuri të bllokohet siç duhet në bazën e njësisë.

5. Kur nuk është në përdorim, zorra e furnizimit me avull dhe kabloja e rrymës mund të palosen mirë dhe të ruhen në kutitë e tyre përkatëse të ruajtjes, pastaj vendosni pajisjen në një vend ku nuk mund të arrihet nga fëmijët.

KËSHILLA PËR HEKUROSIJE

- Gjithmonë kontrolloni së pari nëse një etiketë me udhëzime të hekurosjes është bashkëngjitur në artikull. Ndiqni këto udhëzime për hekurosje në çdo rast.

- Hekuri nxehet më shpejt se sa që ftohet, për ç'arsye duhet të fillosh të hekurosësh artikujt që kërkojnë temperaturën më të ulët, si ata të bërë me fibra sintetike.

Nëse pëlhura përbëhet nga lloje të ndryshme të fibrave, gjithmonë duhet të përzgjidhni temperaturën më të ulët të hekurosjes për të hekurosur përbërjen e atyre fibrave.

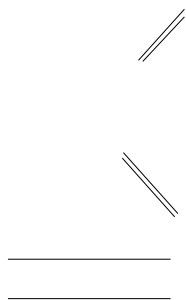
- Fibrat sintetike dhe pëlhurat e mëndafshit duhet të hekurosen në anën e tyre të brendshme për të shmangur shkëlqimin.

- Kadifeja dhe strukturat e tjera që bëhen shpejt me shkëlqim, duhet të hekurosen në një drejtim me presion të lehtë të aplikuar. Gjithmonë mbani hekurin në lëvizje, në çdo moment.

- Pëlhurat e leshit (100% lesh) mund të hekurosen me hekurin me avull. Preferohet të vendosni çelësin e temperaturës në pozicionin e tretë dhe të përdorni një leckë të thatë si qilim.

- Asnjëherë mos hekurosni mbi zinxhir dhe përçina në veshje. Kjo do ta dëmtojë pllakën. Hekurosni përreth çdo objekti të tillë.

ASGJËSIMI MIQËSOR NDAJ MJEDISIT



*Ju mund të ndihmoni në mbrojtjen e mjedisit.
Mos harroni të respektoni rregulloret lokale:
dorëzoni pajisjet elektrike jofunksionale në një
qendër të përshtatshme të hedhjes së
mbeturinave.*

VAŽNE BEZBEDNOSNE MERE

Pre upotrebe električnog uređaja, uvek treba poštovati osnovne mere predostrožnosti, uključujući sledeće:

Pročitajte sva uputstva.

1. Pre upotrebe proverite da li napon zidne utičnice odgovara naponu prikazanom na tipskoj pločici.
2. Nemojte da koristite uređaj ako glavni kabl, utikač, svetlo ili sam uređaj pokazuju vidljiva oštećenja ili ako je uređaj pao ili curi. Odnosite ga u najbliži ovlašćeni servis ili kvalifikovanom serviseru na pregled i popravku kako biste izbegli opasnost.
3. Ukoliko je kabl za napajanje oštećen, treba ga zameniti isključivo proizvođač ili njegov ovlašćeni serviser ili neka druga slično kvalifikovana osoba kako biste izbegli opasnost.
4. Ne dozvolite da kabl dođe u kontakt sa pločom za peglanje kada je vrela.
5. Opekotine mogu nastati dodirivanjem vrelih metalnih delova, tople vode ili pare.
6. Ne dozvolite da kabl visi preko ivice stola ili vrole površine.
7. Da biste se zaštitili od opasnosti od strujnog udara, peglu nikada ne uranjajte u vodu ili druge tečnosti. Ako se to dogodilo, nemojte više koristiti ovaj uređaj; odložite uređaj.
8. Ne ostavljajte peglu bez nadzora dok je priključena na napajanje ili dok je na dasci za peglanje.
9. Uređaj uvek postavite i koristite na suvoj, stabilnoj, ravnoj i horizontalnoj površini.
10. Upotreba dodatne opreme koju proizvođač ne preporučuje može da izazove povrede osoba ili oštećenje uređaja.
11. Prilikom postavljanja pegle na postolje, uverite se da je površina na koju je postavljeno postolje stabilna.
12. Regulator na dnu baze uvek mora da bude dobro zatvoren tokom upotrebe.
13. Nikada nemojte puniti rezervoar za vodu toplom vodom, mirisom, sirćetom, skrobom, sredstvom za uklanjanje kamenca, omekšivačem tkanine ili drugim hemijskim reagensom.
14. Pre punjenja vodom ili čišćenja isključite uređaj iz utičnice kada se ne koristi.
15. Uređaj nemojte da koristite u druge svrhe za koje nije namenjen.
16. Ovaj uređaj mogu da koriste deca uzrasta od 8 godina i više i osobe sa smanjenim fizičkim, senzornim ili mentalnim sposobnostima ili nedostatkom iskustva i znanja ako im je obezbeđen nadzor, odnosno ako imaju uputstva u vezi sa bezbednom upotrebom

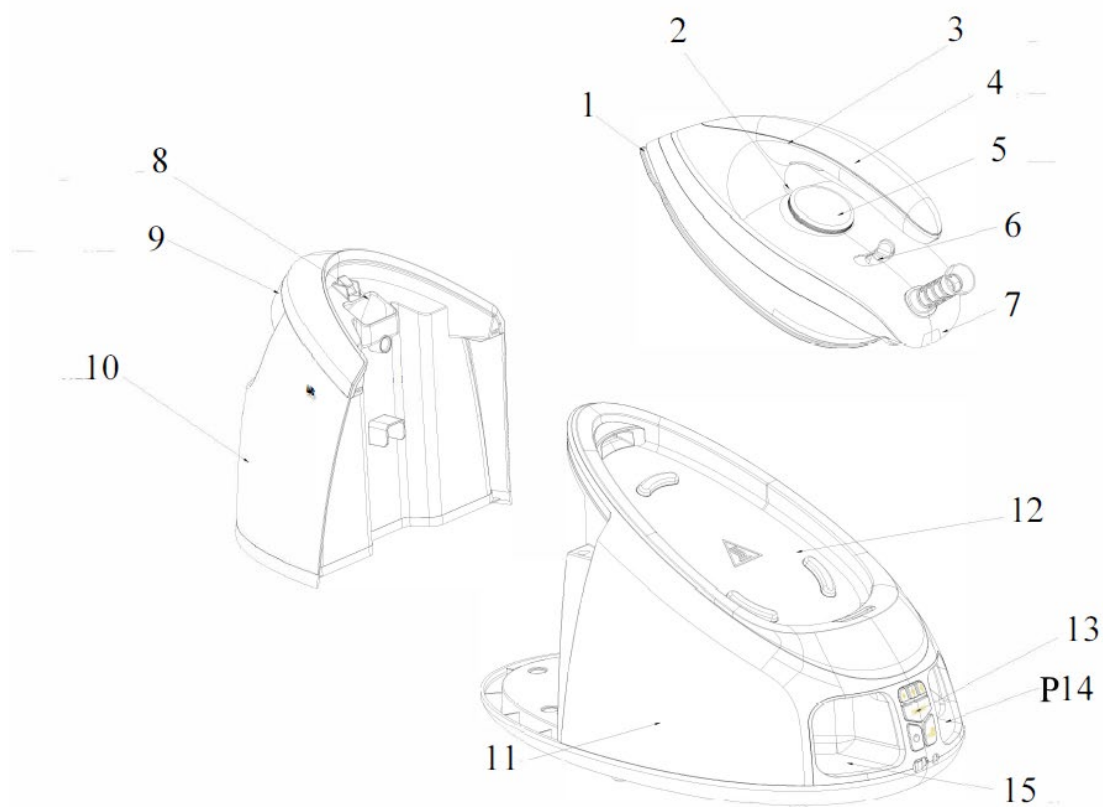
uređaja i razumeju opasnosti koje su povezane sa upotrebom uređaja.

17. Deca se ne smeju igrati uređajem. Deca ne smeju da čiste ili održavaju uređaj bez nadzora odgovornog lica.
18. Pegla se ne sme koristiti ako je pala, ako postoje vidljivi znaci oštećenja ili ako curi.
19. Peglu i kabl držite van domašaja dece mlađe od 8 godina kada je pod naponom ili kada se hladi.
20. Nikada ne dodirujte vruću ploču za peglanje dok se pegla potpuno ne ohladi i ne isključi iz utičnice.
21. Ne koristite na otvorenom.
22. Sačuvajte ova uputstva.

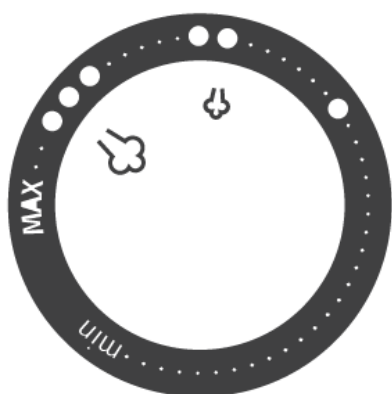
SAMO ZA UPOTREBU U DOMAĆINSTVU

UPOZNAJTE SVOJU PARNU STANICU

Broj	Opis
1	Ploča za peglanje
2	Indikator temperature
3	Okidač za paru
4	Ručka
5	Dugme za temperaturu
6	Zaključavanje pegle na stanicu
7	Pegla
8	Otvor za punjenje
9	Ručka rezervoara za vodu
10	Rezervoar za vodu
11	Baza uređaja
12	Termoizolaciono postolje
13	Kontrolna tabla
14	Skladištenje kabla za napajanje
15	Skladištenje kabla za paru



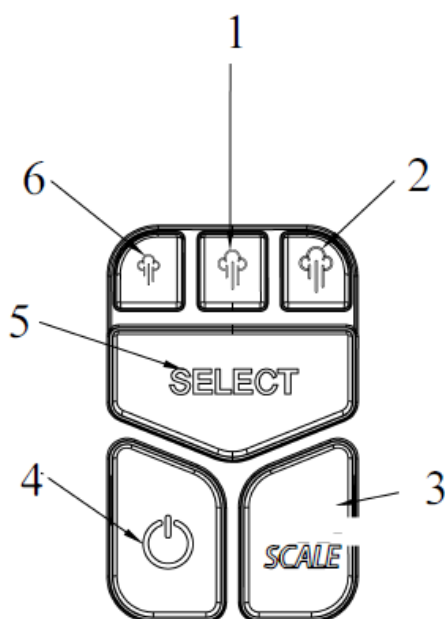
REGULATOR TEMPERATURE



●	Svila 80<T<120
● ●	Vuna 115<T<160
● ● ●	Pamuk 170<T<215
MAX	Maksimum 175<T<225

KONTROLNA TABLA

Broj	Opis
1	Srednji nivo pare
2	Visoki nivo pare
3	Dugme za uklanjanje kamenca
4	Dugme za uključivanje
5	Kontrola nivoa pare
6	Niski nivo pare



Otvor za punjenje

Napunite rezervoar za vodu vodom kroz otvor za punjenje rezervoara za vodu. Uverite se da voda ne prelazi oznaku MAX rezervoara za vodu.

Dugme za uključivanje

Uključite uređaj i pritisnite dugme za uključivanje, indikator napajanja će svetleti, niski nivo pare se smatra podrazumevanim i indikator će treperiti. Držite i pritisnite dugme za uključivanje duže od 2 sekunde, uređaj će biti isključen.

Dugme za kontrolu nivoa pare

Nivo pare može da bude niski, srednji ili visoki, a birate ga pomoću dugmeta za kontrolu nivoa pare. Koji god nivo izaberete, indikator će treperiti i svetliće nakon završetka zagrevanja, što znači da možete da počnete koristiti funkciju pare. Indikator izabranog nivoa pare će treperiti kada se nivo pare prebaci sa niskog na visoko podešavanje, dok će svetleti kada se nivo pare prebaci sa visokog na nisko podešavanje.



Regulator temperature

Okrenite regulator da biste podesili temperaturu peglanja na osnovu odeće koju treba da ispeglate.

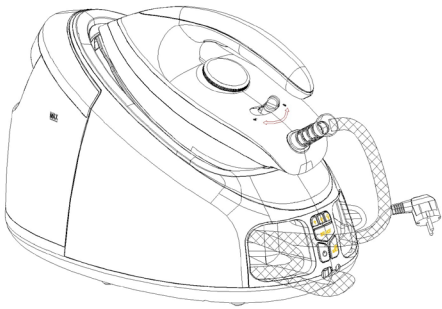
Indikator temperature

Uređaj će se zagrejati kada ne dostigne izabranu temperaturu. Indikator temperature će svetleti kada se uređaj zagreva. Kada uređaj dostigne izabranu temperaturu, indikator temperature će se ugasi. Indikator temperature će se paliti i gasiti, jer pegla održava izabranu temperaturu tokom peglanja.

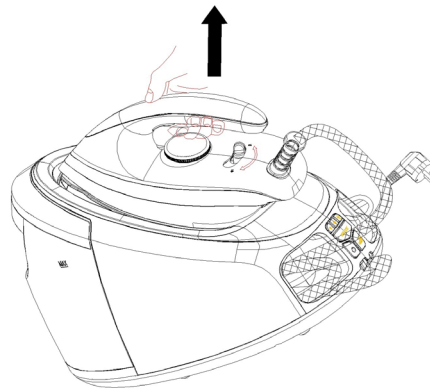
Brava pegle

Postavite peglu na termoizolaciono postolje baze, zatim gurnite bravu pegle u položaj „” da biste zaključali peglu na bazu. Za otključavanje, pritisnite bravu pegle u položaj „”, zatim možete da uklonite peglu kako biste peglali odeću (pogledajte sl. 1). Cela parna stanica se

može podići pomoću ručke pegle nakon što je pegla pravilno zaključana na bazi (pogledajte sl. 2).



Sl. 1



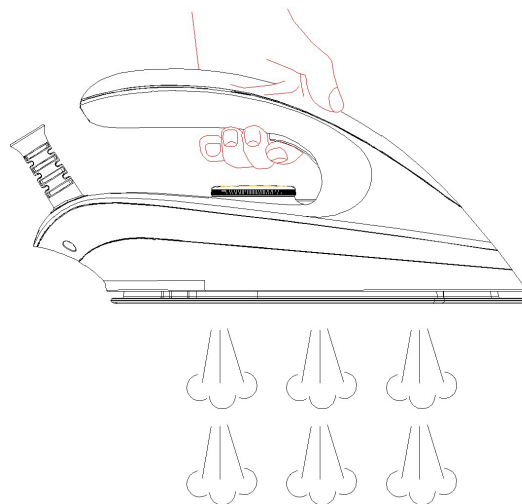
Sl. 2

Okidač za paru

Nakon što pritisnete dugme za uključivanje i izaberete željeni nivo pare, dugme označava da se para može koristiti za peglanje kada indikator nivoa pare prestane da treperi i počne da svetli. U tom trenutku lagano pritisnite okidač za paru, para će se neprekidno raspršivati iz ploče za peglanje. Kad otpustite okidač za paru, uređaj se može koristiti samo za suvo peglanje bez pare.

Mlaz pare

Dva puta brzo pritisnite okidač za paru kako bi izašao mlaz pare, što će trajati 6 minuta (pogledajte sl. 3). Ako želite da prekinete mlaz pare tokom rada, potrebno je samo jednom pritisnuti okidač za paru ili bilo koje dugme na kontrolnoj tabli.



Sl. 3

Indikator za uklanjanje kamenca

Ako svetli indikator za uklanjanje kamenca, to znači da generator pare treba očistiti od mineralnih naslaga koje se nakupljaju do određenog stepena. Kada sistem proveri da su mineralne naslage uklonjene, indikator će se ugasiti.

Kutija za skladištenje kabla za napajanje i kutija za skladištenje creva za dovod pare

Kada se ne koristi, crevo za dovod pare i kabl za napajanje se mogu složiti i uskladištiti u odgovarajuće kutije za skladištenje.

Automatsko isključivanje

Uređaj će se automatski isključiti ako ne aktivirate funkciju „Pare” ili kontrolnu dugmad na kontrolnoj tabli u roku od 10 minuta.

PRE PRVE UPOTREBE

1. Uklonite nalepnicu ili zaštitnu foliju sa ploče za peglanje.
2. Napunite rezervoar vodom i zagrejte peglu na maksimalnu temperaturu, a zatim peglajte preko vlažne krpe nekoliko minuta da biste uklonili ostatke sa ploče za peglanje u skladu sa odeljkom „Peglanje parom”.

NAPOMENA:

- 1) Normalno je da čudan miris izlazi iz uređaja tokom prve upotrebe. To će nakon nekog vremena prestati.*
- 2) Prilikom prve upotrebe pegle, iz ploče za peglanje može izaći malo čestica. To je normalno; te čestice su bezopasne i nakon kratkog vremena prestanu izlaziti iz pegle.*
- 3) Kad aktivirate funkciju „Pare”, uređaj može proizvesti zvuk pumpanja. To je normalno; zvuk označava pumpanje vode u generator pare.*
- 4) Tokom procesa zagrevanja ploče za peglanje, iz ploče za peglanje će automatski izlaziti malo pare i to će trajati oko 3 sekunde, što je normalno.*
- 5) Nakon prve upotrebe u crevu za dovod pare biće malo vode za kondenzaciju. Ali tokom druge upotrebe, voda za kondenzaciju će se raspršiti zajedno sa parom na početku ispuštanja pare. To će trajati nekoliko sekundi. To je normalno.*

3. Uređaj će se automatski isključiti ako svi indikatori pet puta zatrepere zajedno sa pet zvučnih signala koji se mogu čuti nakon uključivanja, u tom slučaju obratite se servisu.

KORIŠĆENJE PARNE STANICE

Uređaj ima dva načina peglanja. Možete da koristite suvo peglanje ili peglanje parom, detalji se odnose na sledeće:

Suvo peglanje

1. Postavite bazu na stabilnu i ravnu površinu, a zatim stavite peglu na termoizolaciono postolje baze.
2. Povežite uređaj sa izvorom napajanja i pritisnite dugme za uključivanje, indikator napajanja se uključuje.
3. Okrenite regulator temperature na željeno podešavanje, koje zavisi od tkanine odeće. Pegla počinje da se zagreva, a indikator temperature će svetleti tokom zagrevanja. Pogledajte odeljak „**SAVETIZA PEGLANJE**”.
4. Indikator temperature će se isključiti kada se dostigne izabrana temperatura. Sada možete da počnete sa peglanjem.

UPOZORENJE: Nikada ne dodirujte vrelu ploču za peglanje pre nego što se ohladi!

Peglanje parom

1. Postavite bazu na stabilnu i ravnu površinu.
2. Uхватite ručku rezervoara za vodu da biste uklonili rezervoar za vodu, a zatim ga napunite vodom kroz otvor za punjenje. Bolje da koristite pročišćenu vodu sa manje čestica kalcijuma. Nakon toga pravilno namestite rezervoar za vodu. Maksimalni kapacitet rezervoara za vodu je 1,7L, nivo vode ne sme da prelazi oznaku MAX.
2. Stavite peglu na termoizolaciono postolje baze.
3. Povežite uređaj sa izvorom napajanja, pritisnite dugme za uključivanje i podrazumevani indikator niskog nivoa pare će treperiti. Postoje tri načina rada, uključujući niski, srednji i visoki nivo pare. Možete da izaberete željeni nivo pare za svaki odevni predmet prema vašem zahtevu. Uverite se da u rezervoaru ima dovoljno vode.

4. Okrenite regulator temperature na željeno podešavanje, koje zavisi od tkanine odeće. Pegla počinje da se zagreva, a indikator temperature će svetleti tokom zagrevanja. Kada izaberete temperaturu, **pogledajte odeljke „SAVETIZA PEGLANJE” i „DODATNATABELA”**.

5. Nakon nekoliko minuta, indikator temperature će se ugasi. To označava da je ploča za peglanje dostigla izabranu temperaturu. Kada indikator izabranog nivoa pare prestane da treperi i počne da svetli, to znači da je pegla spremna za peglanje odeće parom.

6. Lagano pritisnite okidač za paru, para će se neprekidno raspršivati iz ploče za peglanje, a zatim možete da peglate odeću parom.

7. Brzo pritisnite okidač za paru dva puta da bi izašao mlaz pare ako trebate ispeglati veliki nabor na odeći.

Napomena: Tokom prskanja pare može da dođe do kapanja vode kada je temperatura ploče za peglanje na drugom podešavanju ili niža od njega. To je normalno.

Oprez:

1) Ne dodirujte vrelu ploču za peglanje pre nego što se ohladi!

2) Nikad ne usmeravajte paru na ljude!

3) Nemojte da aktivirate okidač za paru kada je pegla postavljena na bazu kako biste izbegli opekotine od pare.

8. Nakon peglanja pritisnite dugme za uključivanje duže od 2 sekunde i uređaj će se isključiti, a svi indikatori će se ugasi. Izvucite utikač iz zidne utičnice. Dok je ploča za peglanje još uvek vrela, nikada je ne dodirujte rukom, stavite je na termoizolaciono postolje dok se potpuno ne ohladi.

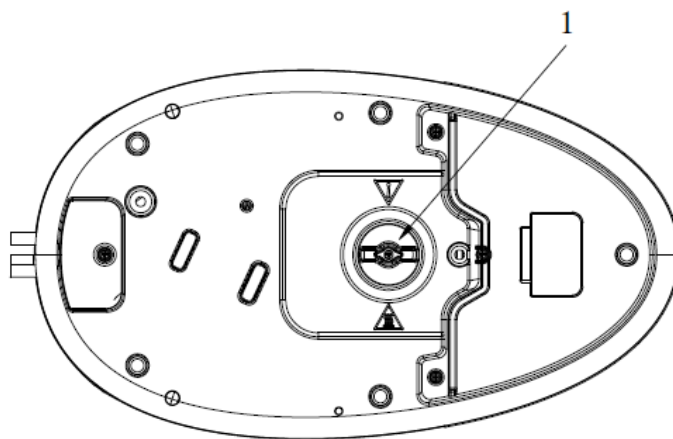
FUNKCIJA AUTOMATSKOG ČIŠĆENJA

Ako svetli „Indikator za uklanjanje kamenca”, to znači da generator pare treba očistiti od mineralnih naslaga koje se nakupljaju do određenog stepena. Kada sistem proveri da su mineralne naslage uklonjene, „Indikator za uklanjanje kamenca” će se ugasiti.

Pre čišćenja proverite da li svetli „Indikator za uklanjanja kamenca”, a zatim isključite uređaj iz utičnice i ostavite da se ohladi.

1. Uklonite rezervoar za vodu, podignite bazu i stavite je na ravnu površinu, a zatim okrenite dugme u smeru suprotnom od kazaljke na satu na dnu baze da biste je uklonili.

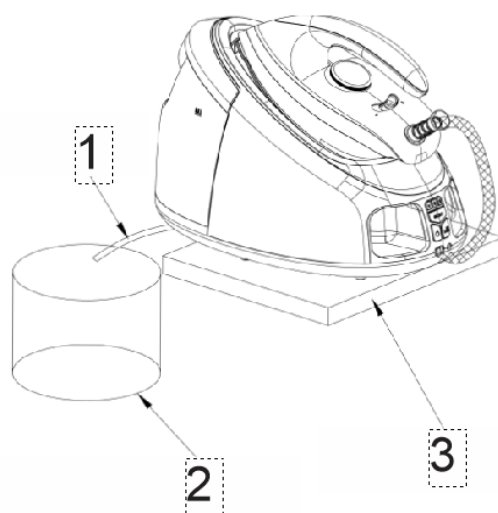
UPOZORENJE: Da biste izbegli opasnost od opekotina, proverite da li je uređaj potpuno ohlađen pre uklanjanja regulatora, položaj 1 na slici ispod.



2. Instalirajte odvodni konektor u odvodnu cev.

3. Postavite bazu na odgovarajući i pričvršćen sto, a zatim stavite silikonsku cev u rezervoar, nakon toga napunite rezervoar vodom i vratite ga u položaj (pogledajte sl.4). Uverite se da je uređaj stabilno postavljen.

Broj	Opis
1	Silikonska cev
2	Rezervoar
3	Pričvršćen sto



Sl.4

4. Povežite uređaj sa izvorom napajanja, pritisnite dugme za uključivanje, zatim istovremeno držite i pritisnite „Dugme za uklanjanje kamena” i „Okidač za paru” oko 1 sekunde, tada će se čuti zvučni signal i indikator za uklanjanje kamena počinje da treperi, a zatim uređaj počinje da čisti generator pare, a para i kamenac izlaze iz generatora pare. Nakon 3 minute čuće se jedan zvučni signal, indikator za uklanjanje kamena se gasi i uređaj se automatski isključuje.

NAPOMENA: Ne dodirujte i ne približavajte se rezervoaru tokom čišćenja kako biste izbegli opekotine.

5. Iskopčajte i uklonite rezervoar za vodu, a zatim stavite peglu na ravnu površinu, nakon toga podignite bazu i stavite je na ravnu površinu, a zatim okrenite dugme u smeru kazaljke na satu da biste ga zategnuli i dobro postavili konektor za odvod. Na kraju podignite bazu i stavite peglu na termoizolaciono postolje baze.

ČIŠĆENJE I ODRŽAVANJE

Pre čišćenja uređaj prvo isključite iz Sl. 8. i ostavite da se ohladi.

1. Obrišite ostatke i sve druge naslage sa ploče za peglanje vlažnom krpom ili neabrazivnim (tečnim) sredstvom za čišćenje.

NAPOMENA: Nemojte da koristite hemijska, čelična, drvena ili abrazivna sredstva za čišćenje ploče za peglanje.

2. Očistite gornji deo pegle mekom vlažnom krpom. Obrišite kapljice vode sa baze i termoizolacionog postolja suvom krpom.
3. Izvršite automatsko čišćenje prateći proceduru opisanu u odeljku „**FUNKCIJA AUTOMATSKOG ČIŠĆENJA**” kada zasvetli „Indikator za uklanjanje kamenca”.
4. Kada uređaj ne koristite duže vreme, izlijte vodu iz rezervoara, okrenite regulator temperature na minimalno podešavanje i stavite peglu na termoizolaciono postolje, a zatim gurnite bravu pegle u položaj za zaključavanje da biste dobro zaključali peglu.

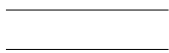
Napomena: Celu parnu stanicu možete da podignete pomoću ručke pegle nakon što je pegla pravilno zaključana na bazi.

5. Kada se ne koristi, crevo za dovod pare i kabl za napajanje se mogu smotati i uskladištiti u odgovarajućim kutijama za skladištenje, a zatim stavite uređaj na mesto van domašaja dece.

SAVETI ZA PEGLANJE

- Uvek prvo proverite da li na odeći ima etiketa sa uputstvima za peglanje. Za svaki slučaj, pratite ova uputstva za peglanje.
- Pegla se zagreva brže nego što se hladi, stoga bi trebalo da počnete da peglate odeću koja zahteva najnižu temperaturu, kao što je odeća od sintetičkih vlakana.
- Ako se tkanina sastoji od različitih vrsta vlakana, uvek morate da izaberete najnižu temperaturu peglanja da biste ispeglali takva vlakna.
- Sintetička vlakna i svilene tkanine treba peglati sa unutrašnje strane da bi se izbegao sjaj.
- Baršunaste i druge teksture koje brzo postaju sjajne treba peglati u jednom smeru laganim pritiskom. Pegla se uvek pomera u svakom trenutku.
- Čiste vunene tkanine (100% vuna) mogu se peglati parnom peglom. Poželjno je podesiti regulator temperature na treći položaj i koristiti suhu krpom kao podlogu.
- Nikad ne peglajte preko rajsferšlusa, zakovice u tkanini. To će oštetiti ploču za peglanje. Peglajte oko bilo kojeg takvog dela.

EKOLOŠKI PRIHVATLJIVO ODLAGANJE



*Možete pomoći u zaštiti životne sredine!
Ne zaboravite da poštujete lokalne propise:
predajte električnu opremu koja ne radi u
odgovarajući centar za odlaganje otpada.*

ВАЖНИ МЕРКИ НА ПРЕДОСТРОЖНОСТ

Пред употреба на електричниот апарат, секогаш треба да се следат основните мерки на предострожност, вклучувајќи го следново:

Прочитајте ги сите упатства.

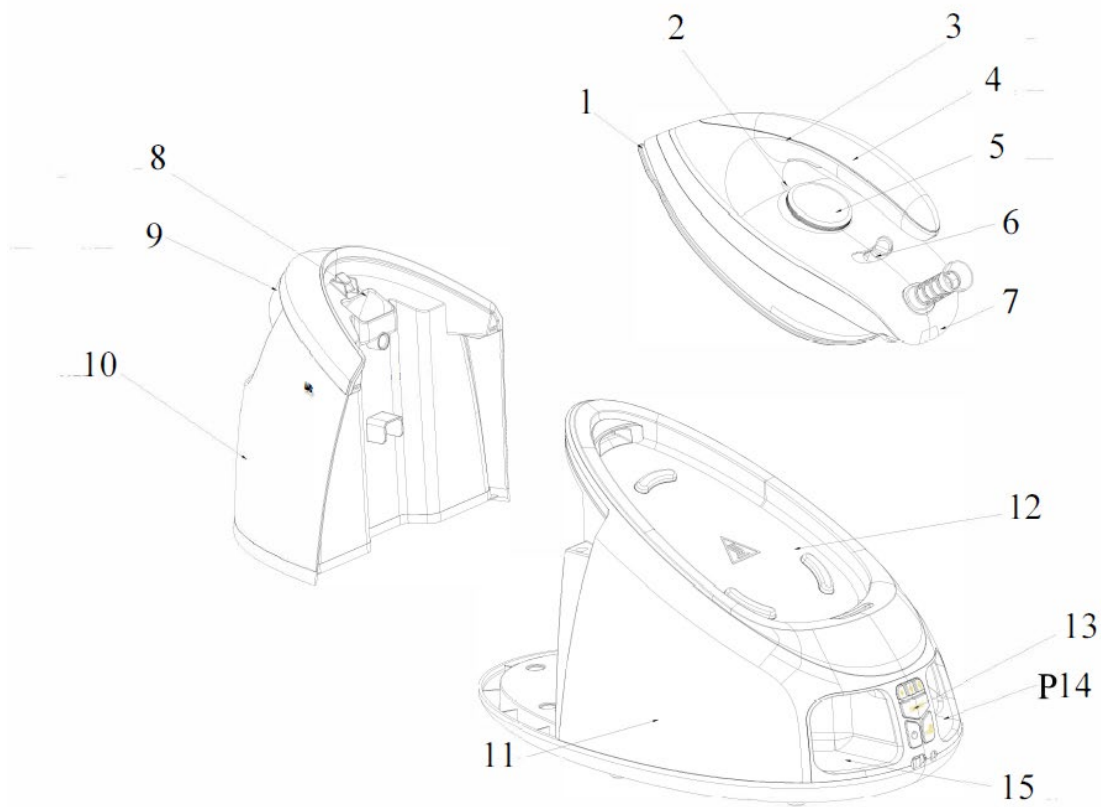
1. Пред употреба, проверете дали напонот на ѕидниот штекер одговара на напонот наведен на плочката со спецификации.
2. Не користете го апаратот доколку главниот кабел, приклучокот, светлото или самиот апарат претрпеле видливо оштетување или доколку апаратот паднал или протекува. Однесете го до најблискиот овластен сервис или квалификуван сервисер на преглед и поправка за да избегнете опасност.
3. Ако кабелот за напојување е оштетен, мора да го замени производителот, неговиот сервисер или слично квалификувани лица за да се избегне опасност.
4. Не дозволувајте кабелот да дојде во допир со грејната плоча кога таа е жешка.
5. Може да настанат изгореници од допирање на врели метални делови, топла вода или пареа.
6. Не оставајте го кабелот да виси над работ на масата или жешката површина.
7. За да се заштитите од ризик од електричен удар, никогаш не потопувајте ја пеглата во вода или други течности. Доколку тоа се случи, немојте повеќе да го користите овој апарат и исфрлете го.
8. Не оставајте ја пеглата без надзор додека е приклучена на струја или на даска за пеглање.
9. Секогаш поставувајте го или употребувајте ја пеглата на стабилна, рамна и хоризонтална површина.
10. Употребата на додатоци што не се препорачани од производителот може да предизвика повреда на лица или оштетување на апаратот.
11. Кога ја поставувате пеглата на нејзиниот држач, проверете дали е стабилна површината на која е поставен држачот.
12. Капачето на дното на основата на пеглата мора секогаш да биде добро затворено за време на употребата.
13. Никогаш не полнете го резервоарот за вода со топла вода, мирис, оцет, скроб, средство за отстранување бигор, омекнувач или друг хемиски реагенс.
14. Исклучете ја пеглата од штекер кога не ја користите, пред да ја полните со вода или пред да ја чистите.

15. Не користете ја пеглата за друга употреба освен за наменетата.
16. Овој апарат може да го користат деца на возраст од 8 години и повеќе и лица со намалени физички, сетилни или ментални способности или недостаток на искуство и знаење, под услов да им е даден надзор или инструкции во врска со употребата на апаратот на безбеден начин и да ги разбираат можните опасности.
17. Деца не смеат да си играат со апаратот. Деца без надзор не смеат да ја чистат и да ја одржуваат пеглата.
18. Пеглата не треба да се користи ако паднала, ако има видливи знаци на оштетување или ако протекува.
19. Чувајте ги пеглата и кабелот подалеку од дофат на деца помали од 8 години кога пеглата е под напон или се лади.
20. Никогаш не допирајте ја врелата грејна плоча, освен ако пеглата не е целосно изладена и исклучена од струја.
21. Не користете ја пеглата на отворено.
22. Зачувајте ги овие упатства.

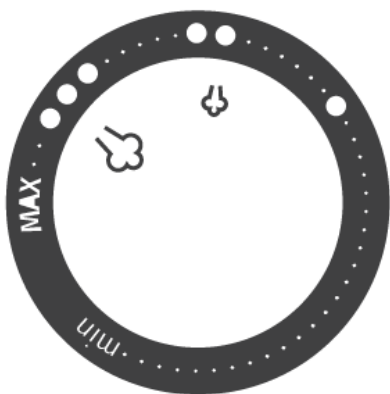
ЗА УПОТРЕБА САМО ВО ДОМАЌИНСТВОТО

ЗАПОЗНАЈТЕ СЕ СО ВАШАТА ПЕГЛА НА ПАРЕА

Бр.	Опис
1	Грејна плоча
2	Индикатор на температурата
3	Копче за пареа
4	Рачка
5	Копче за температура
6	Заклучување на пеглата во лежиштето
7	Пегла
8	Отвор за полнење
9	Рачка на резервоарот за вода
10	Резервоар за вода
11	Основа
12	Термоизолационо лежиште
13	Контролна табла
14	Место за чување на струјниот кабел
15	Место за чување на цреводо за пареа



КОПЧЕ ЗА ТЕМПЕРАТУРА

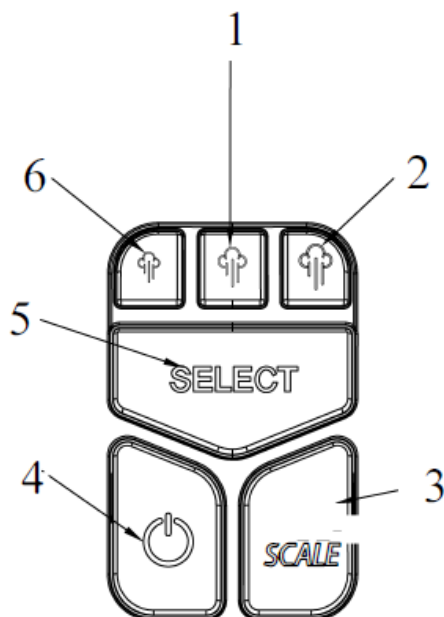


●	Свила $80 < T < 120$
● ●	Волна $115 < T < 160$
● ● ●	Памук $170 < T < 215$
MAX	Максимум $175 < T < 225$

КОНТРОЛНА ТАБЛА

Бр.	Опис
1	Средна јачина на пареа
2	Голема јачина на пареа
3	Копче за отстранување бигор
4	Копче за вклучување

5	Копче за контрола на пареата
6	Мала јачина на пареа



Отвор за полнење

Наполнете го резервоарот за вода со вода низ отворот за полнење. Внимавајте водата да не ја надминува ознаката MAX на резервоарот за вода.

Копче за вклучување

Приклучете ја пеглата во струја и притиснете го копчето за вклучување; индикаторот за напојување светнува, а малата јачина на пареа се смета за стандардна и индикаторот за пареа трепка. За да ја исклучите пеглата, притиснете го копчето за вклучување и држете го притиснато подолго од 2 секунди.

Копче за контрола на пареата

Може да се избере мала, средна или голема јачина на пареата со копчето за контрола на пареата. Индикаторот на избраната јачина најпрво почнува да трепка, а по завршувањето на претходното загревање, што значи дека пареата е подготвена за употреба. Индикаторот на избраната јачина на пареата трепка кога јачината ќе се префрли од мала на голема, додека во обратен случај свети непрекинато.



Копче за температура

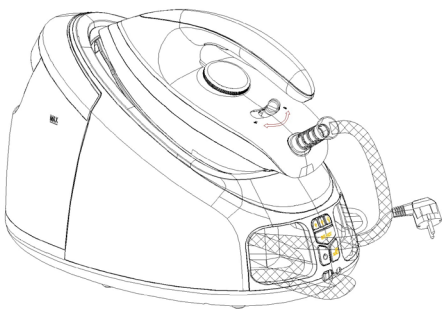
Задајте ја температурата на пеглањето со вртење на копчето за температура, во зависност од облеката што треба да се пегла.

Индикатор на температурата

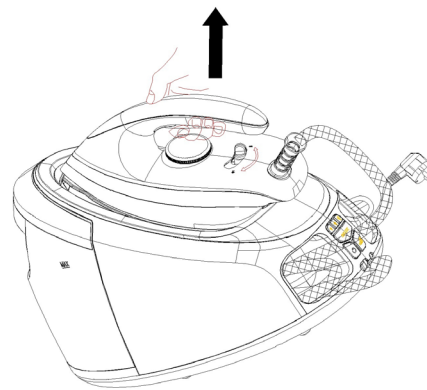
Кога не е достигната избраната температура, пеглата се загрева. Индикаторот за температура светнува додека апаратот се загрева. Штом пеглата ќе ја достигне избраната температура, индикаторот за температура се гасне. Индикаторот за температура се вклучува и исклучува додека пеглата ја одржува избраната температура за време на пеглањето.

Заклучување на пеглата

Ставете ја пеглата на термоизолационото лежиште на основата, а потоа наместете го копчето за заклучување во позиција „“, за да ја заклучите пеглата во лежиштето. За да ја отклучите, дотерајте го копчето за заклучување до позицијата „“; потоа може да ја одвоите пеглата од лежиштето за да ги испеглате алиштата (види слика 1). Целиот апарат може да се крене држејќи го за рачката, откако пеглата претходно правилно ќе се заклучи во лежиштето (види слика 2).



Слика 1



Слика 2

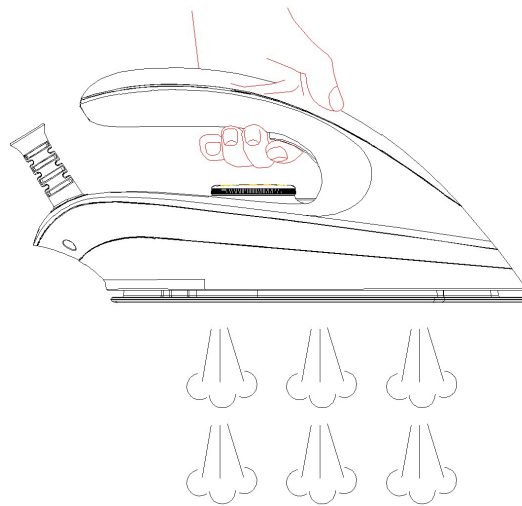
Копче за пареа

Откако ќе го притиснете копчето за вклучување и ќе ја изберете саканата јачина на пареа, пареата може да се користи за пеглање кога индикаторот за јачина на пареата ќе престане да трепка и ќе свети постојано. Потоа притиснете го копчето за мала јачина

на пареата и пареата непрекинато ќе се испушта од грејната плоча. Кога ќе го отпуштите копчето за пареа, апаратот може да се користи само за суво пеглање без пареа.

Млаз пареа

Накратко притиснете го копчето за пареа двапати за да испуштите млаз пареа, кој ќе трае 6 минути (види слика 3). Ако сакате да престанете да испуштате пареа за време на пеглањето, треба само еднаш да го притиснете копчето за пареа или кое било копче на контролната табла.



Слика 3

Индикатор за отстранување бигор

Ако свети индикаторот за отстранување бигор, тоа е знак дека генераторот на пареа ќе се исчисти поради тоа што дошло до натрупување на минералните наслаги до одреден степен. Кога системот ќе биде сигурен дека наслагите на минерали се отстранети, индикаторот се гасне.

Место за чување на струјниот кабел и црево за пареа

Кога не се користат, цревото за довод на пареа и кабелот за напојување може да се замотаат и да се сместат во нивните соодветни места за чување.

Автоматско исклучување

Доколку не ја активирате функцијата „Пареа“ или не ги активирате контролните копчиња на контролната табла во рок од 10 минути, пеглата автоматски ќе се исклучи.

ПРЕД ПРВАТА УПОТРЕБА

1. Отстранете ја евентуалната налепница или заштитна фолија од грејната плоча.
2. Наполнете го резервоарот за вода и загрејте ја пеглата на максимална температура, а потоа пеглајте преку парче влажна крпа неколку минути, за да ги отстраните остатоците од грејната плоча според инструкциите во делот „Пеглање со пареа“.

БЕЛЕШКА:

- 1) *При првата употреба, нормално е пеглата да испушта невообичаена миризба. Тоа ќе престане по кратко време.*
- 2) *Кога ја користите пеглата за прв пат, од грејната плоча може да отпаднат одредени честички. Тоа е нормално; честичките се безопасни и по кратко време престануваат да отпаѓаат од плочата.*
- 3) *Кога ќе ја активирате функцијата „Пареа“, пеглата може да произведе звук на пумпање. Тоа е нормално; звукот ви кажува дека водата се пумпа во генераторот на пареа.*
- 4) *За време на процесот на загревање на грејната плоча, од плочата ќе се испушта малку пареа и тоа ќе продолжи околу 3 секунди; ова е нормално.*
- 5) *По првата употреба, во цревото за довод на пареа ќе има малку кондензирана вода.*
- 6) *Но, при втората употреба, кондензираната вода ќе се исфрли заедно со пареа кога ќе почне да се испушта пареа. Тоа ќе продолжи уште неколку секунди и е нормално.*

3. Пеглата автоматски ќе се исклучи ако сите индикатори трепнат пет пати истовремено со пет звучни сигнали што се јавуваат кога пеглата ќе се вклучи. Во таков

случај, обратете се во службата за постпродажба.

УПОТРЕБА НА ПЕГЛАТА НА ПАРЕА

Со апаратот може да се пегла на два начина. Можете да пеглате на суво или со пареа, при што деталите се однесуваат на следново:

Суво пеглање

1. Ставете го лежиштето на стабилна и рамна површина, а потоа ставете ја пеглата на термоизолациониот држач на основата.
2. Приклучете ја пеглата на струја и притиснете го копчето за вклучување; светнува индикаторот за напојување.
3. Завртете го тркалцето за температура на саканата поставка, која зависи од ткаенината на облеката. Пеглата почнува да се загрева, а индикаторот за температура свети непрекинато за време на загревањето. Погледнете во делот „**СОВЕТИ ЗА ПЕГЛАЊЕ**“.
4. Кога ќе се достигне избраната температура, индикаторот за температура се исклучува. Потоа можете да почнете со пеглање.

ПРЕДУПРЕДУВАЊЕ: *Никогаш не допирајте жешка плоча пред да се излади!*

Пеглање со пареа

1. Ставете ја основата на пеглата на стабилна и рамна површина.
2. Фатете го резервоарот за вода за рачката за да го извадите, а потоа наполнете го со вода низ отворот за полнење. Подобрo е да користите прочистена вода со помалку честички калциум. Потоа, вратете го резервоарот за вода на неговото место. Максималниот капацитет на резервоарот за вода е 1,7 литри; нивото на водата не смее да ја надмине ознаката MAX.
3. Ставете ја пеглата на термоизолациониот држач на основата.
4. Приклучете го апаратот на извор на струја и притиснете го копчето за вклучување; индикаторот за фабрички поставената мала јачина на пареа почнува да трепка. Имате три расположливи режими - ниска, средна и висока јачина на пареа; може да ја

изберете саканата јачина на пареа за секоја облека по ваша желба. Проверете дали во резервоарот има доволно вода.

5. Завртете го тркалцето за температура на саканата јачина, која зависи од ткаенината на облеката. Пеглата почнува да се загрева, а индикаторот за температура непрекинато свети за време на загревањето. Консултирајте ги деловите „**СОВЕТИ ЗА ПЕГЛАЊЕ**“ и „**ДОПОЛНИТЕЛНА ТАБЕЛА**“ кога ја избирате температурата.

6. По неколку минути, индикаторот за температура се гасне, што е знак дека е постигната избраната температура на грејната плоча. Кога индикаторот на избраната јачина на пареа ќе прејде од трепкање во непрекинато светење, тоа е знак дека пеглата е подготвена за пеглање облека со пареа.

7. Притиснете го копчето за пареа со мала сила, пареата ќе почне континуирано да се испушта од гејната плоча; потоа можете да ја пеглате облеката на пареа.

8. Накратко притиснете го копчето за пареа двапати за да испуштите млаз пареа ако треба да испеглате стари рабови.

Белешка: за време на испуштање пареа може да капе вода кога температурата на грејната плоча е на втората поставка и пониска од тоа. Ова е нормално.

Внимание:

1) Не допирајте ја жешката плоча во ниту еден момент пред да се излади!

2) Никогаш не насочувајте ја пареата кон луѓето!

3) Не активирајте го копчето за пареа кога пеглата е поставена на основата на за да не се попарите.

9. Кога ќе завршите со пеглање, притиснете го копчето за вклучување/исклучување и држете го притиснато подолго од 2 секунди; пеглата ќе се исклучи и ќе се изгаснат сите индикатори. Извадете го кабелот од ѕидниот штекер. Но, плочата е сè уште жешка, така што никогаш не допирајте ја со рака; ставете ја пеглата на термизолациониот држач додека не се излади целосно.

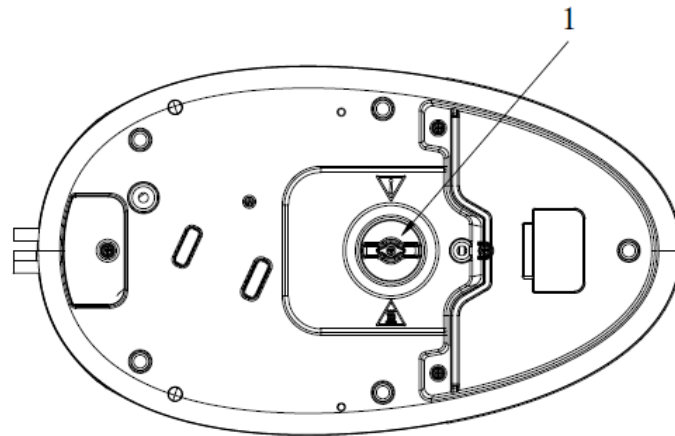
АВТО-ЧИСТЕЊЕ

Ако свети „Индикаторот за отстранување бигор“, тоа е знак дека генераторот на пареа ќе се исчисти поради тоа што дошло до натрупување на минералните наслаги до

одреден степен. Кога системот ќе биде сигурен дека наслагите на минерали се отстранети, „Индикаторот за отстранување бигор“ ќе се изгасне. Пред чистење, проверете дали цврсто свети „Индикаторот за отстранување бигор“, а потоа исклучете го апаратот од струја и оставете го да се излади.

1. Извадете го резервоарот за вода, превртете ја основата на единицата и ставете ја на рамна површина, а потоа завртете го копчето на дното на основата на апаратот во насока спротивна од насоката на стрелките на часовникот за да го извадите.

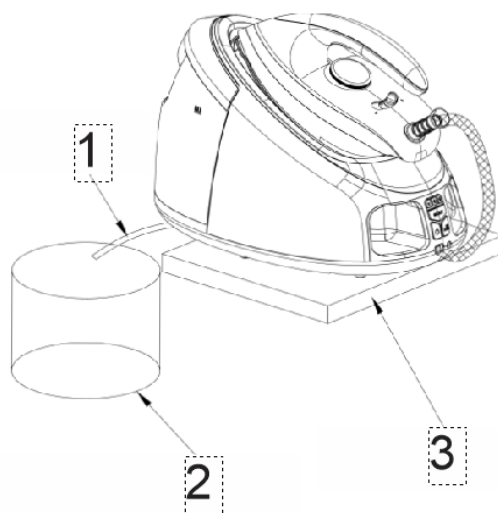
ПРЕДУПРЕДУВАЊЕ: *За да избегнете ризик од изгореници, проверете дали апаратот е целосно изладен пред да го извадите копчето, позиција 1 на сликата подолу.*



2. Ставете го дренажниот конектор во дренажното црево.

3. Поставете ја основата на апаратот на соодветна и фиксирана маса, потоа ставете ја силиконската цевка во сад, наполнете го резервоарот за вода со вода и вратете го во првобитната положба (види Сл.4). Погрижете се апаратот да биде стабилно поставен.

Бр.	Опис
1	Силиконска цевка
2	Сад
3	Фиксирана маса



Слика 4

4. Приклучете ја пеглата на извор на струја, притиснете го копчето за вклучување, потоа притиснете ги истовремено и држете ги притиснати „Копчето за отстранување бигор“ и „Копчето за пареа“ околу 1 секунда; апаратот почнува да го чисти генераторот на пареа, па пареата и бигорот истекуваат од генераторот на пареа, а околу 3 минути подоцна се јавува еден звучен сигнал, индикаторот за отстранување бигор се гаси и пеглата автоматски се исклучува.

БЕЛЕШКА: Не допирајте го садот и не приближувајте се до него за време на чистењето за да не се попарите.

5. Откачете го и извадете го резервоарот за вода, потоа ставете ја пеглата на рамна површина. Превртете ја основата на апаратот и ставете ја на рамна површина, а потоа завртете го копчето во насока на стрелките на часовникот за да го затегнете и добро прицврстете го дренажниот конектор. На крајот, повторно превртете ја основата на апаратот и ставете ја пеглата на термоизолациониото лежиште на основата.

ЧИСТЕЊЕ И ОДРЖУВАЊЕ

Пред чистење, прво исклучете ја пеглата од штекерот и оставете ја да се излади.

1. Избришете ги остатоците и сите други наслаги на грејната плоча со влажна крпа или неабразивно (течно) средство за чистење.

БЕЛЕШКА: *Не користете хемиски, челични, дрвени или абразивни средства кои може да ја изгребат грејната плоча.*

2. Горниот дел од пеглата исчистете го со мека влажна крпа. Избришете ги капките вода на основата на апаратот и на термоизолациониото лежиште со сува крпа.
3. Извршете автоматско чистење следејќи ги чекорите опишани во делот „**ФУНКЦИЈА НА АВТО-ЧИСТЕЊЕ**“ додека свети „Индикаторот за отстранување бигор“.
4. Кога планирате да не ја користите пеглата подолго време, истурете ја водата од резервоарот, завртете го тркалцето за температура на минималната поставка и ставете ја пеглата на термоизолациониото лежиште, и на крајот притиснете го копчето за заклучување за да ја заклучите пеглата.

Белешка: *Целата апаратура пареа може да се подигне со фаќање за рачката на пеглата откако пеглата била претходно правилно заклучена на основата на апаратот.*

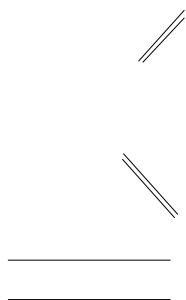
5. Кога не се користат, цревото за довод на пареа и струјниот кабелот може убаво да се замотаат и да се складираат во нивните соодветни места за чување, а потоа ставете го апаратот на место недостапно за деца.

СОВЕТИ ЗА ПЕГЛАЊЕ

- Секогаш прво проверувајте дали на артиклот има етикета со упатства за пеглање. Следете ги овие упатства за пеглање во секој случај.
- Пеглата се загрева побрзо отколку што се лади, затоа треба да почнете со пеглање на артиклите за кои е потребна најниска температура, како што се оние од синтетички влакна.
- Ако ткаенината се состои од разни видови влакна, секогаш мора да ја изберете најниската температура на пеглање за да испеглате таков состав на влакна.
- Ткаенините од синтетички влакна и свила треба да се пеглаат од внатрешната страна за да не станат сјајни.
- Каdifето и другите ткаенини кои брзо стануваат сјајни треба да се пеглаат во една насока со нежно притискање. Пеглата треба постојано да се движи.

- Ткаенините од чиста (100%) волна може да се пеглаат со пеглата на пареа. Се препорачува тркалцето за температура да се постави на третата позиција и да се користи сува крпа како подлога.
- Никогаш не пеглајте преку патент или нитни. Тоа ќе ја оштети грејната плоча. Заобиколувајте ги сите такви предмети.

ЕКОЛОШКО ИСФРЛАЊЕ



*И вие може да помогнете во заштитата на животната средина!
Не заборавајте да се придржувате до локалните прописи: предајте ја нефункционалната електрична опрема во соодветниот центар за отпад*

MĂSURI IMPORTANTE DE SIGURANȚĂ

Înainte de a utiliza aparatul electric, trebuie respectate întotdeauna precauțiile de bază, inclusiv următoarele:

Citiți toate instrucțiunile.

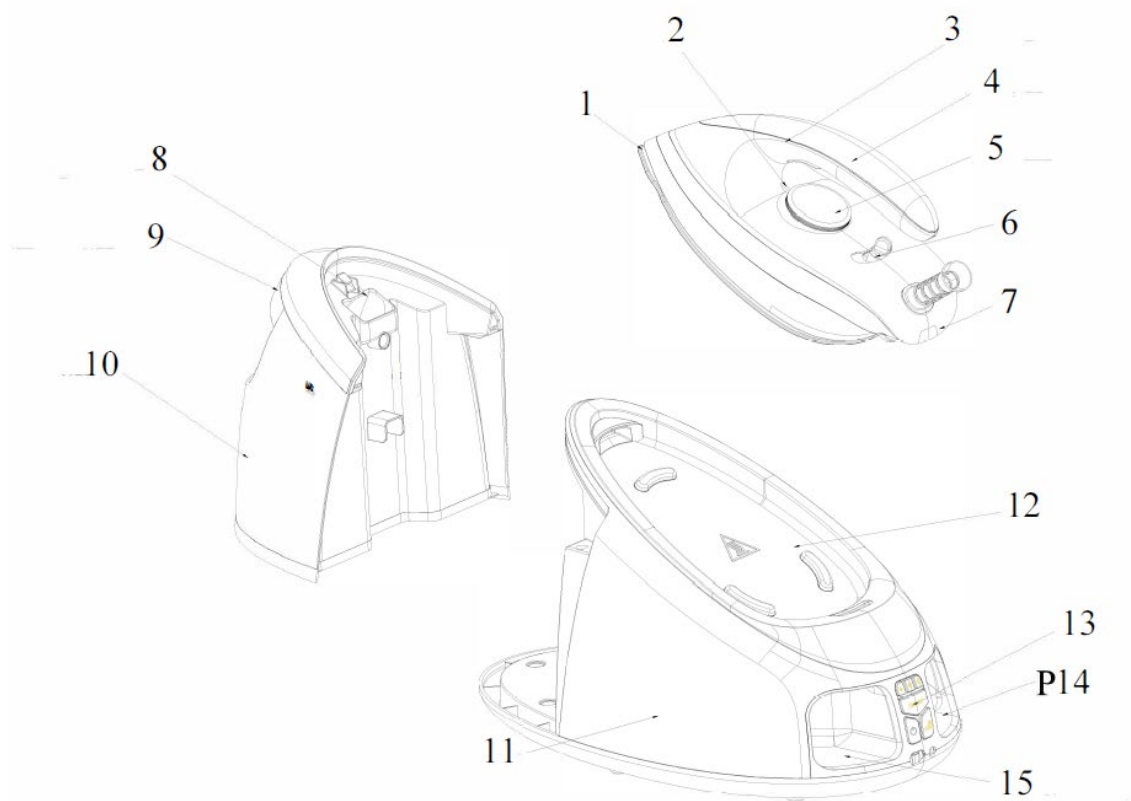
1. Înainte de utilizare, verificați dacă tensiunea de la priza de perete corespunde cu cea indicată pe plăcuța tehnică.
2. Nu utilizați aparatul dacă cablul principal, ștecherul, lumina sau aparatul însuși prezintă deteriorări vizibile sau dacă aparatul a fost scăpat sau prezintă scurgeri. Duceți-l la cea mai apropiată unitate de service autorizat sau la un tehnician calificat pentru examinare și reparații, pentru a evita orice pericol.
3. În cazul în care cablul de alimentare este deteriorat, acesta trebuie înlocuit de către producător, de agentul de service sau alte persoane calificate pentru a evita orice pericol.
4. Nu lăsați cablul să intre în contact cu talpa atunci când aceasta este fierbinte.
5. Se pot produce arsuri prin atingerea pieselor metalice fierbinți, a apei fierbinți sau a aburului.
6. Nu lăsați cablul să atârne pe marginea mesei sau pe o suprafață fierbinte.
7. Pentru a vă proteja împotriva riscului de electrocutare, nu introduceți fierul în apă sau în alt lichid. Dacă s-a întâmplat acest lucru, nu mai utilizați acest aparat; eliminați aparatul.
8. Nu lăsați fierul de călcat nesupravegheat în timp ce este conectat la sursa de alimentare sau pe o masă de călcat.
9. Așezați și utilizați întotdeauna aparatul pe o suprafață stabilă, netedă și orizontală.
10. Utilizarea accesoriilor nerecomandate de producător poate provoca vătămări corporale sau deteriorarea aparatului.
11. Când așezați fierul de călcat pe suportul său, asigurați-vă că suprafața pe care este așezat suportul este stabilă.
12. Butonul din partea inferioară a bazei unității trebuie să fie întotdeauna bine închis în timpul utilizării.
13. Nu umpleți niciodată rezervorul de apă cu apă fierbinte, parfum, oțet, amidon, detartrant, balsam de rufe sau alt reactiv chimic.
14. Deconectați aparatul de la priză atunci când nu îl folosiți, înainte de a-l umple cu apă sau înainte de curățare.
15. Nu utilizați aparatul în alte scopuri decât cele pentru care este conceput.

16. Acest aparat poate fi utilizat de copii cu vârsta de 8 ani sau mai mari și de persoane cu abilități fizice, senzoriale sau mentale reduse sau care nu au experiența sau cunoștințele necesare, dacă sunt supravegheați sau au fost instruiți în ceea ce privește folosirea aparatului în mod sigur și înțeleg pericolele implicate.
17. Copiii nu trebuie să se joace cu aparatul. Curățarea și întreținerea de către utilizator nu trebuie efectuate de către copii fără a fi supravegheați.
18. Nu utilizați aparatul dacă a fost scăpat pe jos, dacă are semne vizibile de deteriorare sau prezintă scurgeri.
19. Nu lăsați aparatul și cablul acestuia la îndemâna copiilor cu vârsta sub 8 ani atunci când este alimentat cu energie sau când acesta se este încă fierbinte.
20. Nu atingeți niciodată talpa fierbinte decât dacă fierul de călcat este complet răcit și scos din priză.
21. Nu folosiți aparatul în aer liber.
22. Păstrați aceste instrucțiuni.

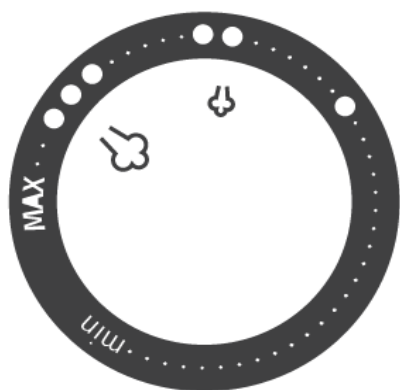
NUMAI PENTRU UTILIZARE CASNICĂ

FAMILIARIZAȚI-VĂ CU STAȚIA DUMNEAVOASTRĂ CU ABUR

Număr	Descriere
1	Talpă
2	Indicator de temperatură
3	Declanșator de abur
4	Mâner
5	Buton temperatură
6	Buton de blocare de la fier de călcat la stația cu abur
7	Fier de călcat
8	Orificiu de umplere
9	Mânerul rezervorului de apă
10	Rezervor de apă
11	Baza unității
12	Stand de izolare termică
13	Panou de comandă
14	Depozitarea cablului de alimentare
15	Stocarea cablului de abur



CADRAN DE TEMPERATURĂ

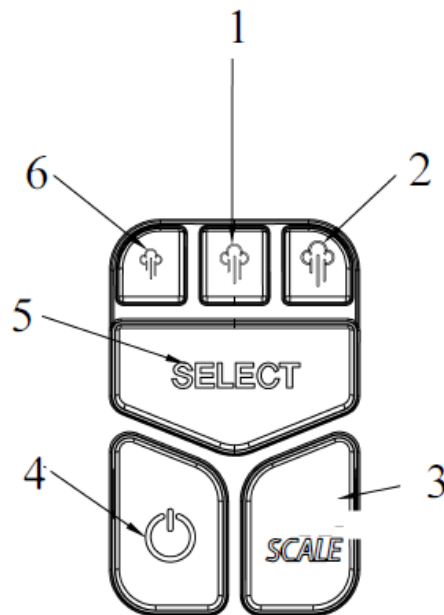


●	Mătase 80<T<120
● ●	Lână 115<T<160
● ● ●	Bumbac 170<T<215
MAX	Maxim 175<T<225

PANOU DE COMANDĂ

Număr	Descriere
1	Abur mediu
2	Abur puternic
3	Buton de decalcifiere
4	Buton de pornire/oprire

5	Control debitului de abur
6	Abur scăzut



Orificiu de umplere

Umpleți cu apă rezervorul de apă prin orificiul de umplere al rezervorului de apă. Asigurați-vă că apa nu va depăși marcajul MAX al rezervorului de apă.

Buton de pornire/oprire

Conectați aparatul la priză și apăsați butonul de pornire, indicatorul de pornire se va aprinde, debitul scăzut de abur este considerat implicit și indicatorul său se va aprinde intermitent. Țineți apăsat butonul de alimentare mai mult de 2 secunde, aparatul va fi oprit.

Butonul de control al debitului de abur

Debitul de abur poate fi selectat ca fiind scăzut, mediu sau ridicat cu ajutorul butonului de control al debitului de abur. Dacă se selectează oricare dintre ele, indicatorul acestuia se va aprinde intermitent și va lumina continuu după ce se termină preîncălzirea, ceea ce înseamnă că aburul este gata de utilizare. Indicatorul debitului de abur selectat se va aprinde

intermitent atunci când debitul de abur este comutat de la setarea scăzută la cea ridicată, luminându-se continuu atunci când debitul de abur este comutat de la setarea ridicată la cea scăzută.

Cadran de temperatură

Rotiți cadranul pentru a seta temperatura de călcare în funcție de haina care trebuie călcată.

Indicator de temperatură

Aparatul se va încălzi atunci când nu a atins temperatura selectată. Indicatorul de temperatură se va aprinde atunci când aparatul se încălzește. Odată ce aparatul a atins temperatura selectată, indicatorul de temperatură se va stinge. Indicatorul de temperatură va fi pornit și oprit în mod ciclic în timp ce fierul de călcat menține temperatura selectată în timpul călcării.

Blocarea fierului de călcat

Puneți fierul de călcat pe suportul termoizolant al bazei unității, apoi împingeți dispozitivul de blocare a fierului în poziția "🔒" pentru a bloca fierul de călcat pe baza unității. Pentru a debloca, împingeți dispozitivul de blocare a fierului de călcat în poziția "🔓", apoi puteți scoate fierul de călcat pentru a călca hainele (a se vedea Fig.1). Întreaga stație de abur poate fi ridicată prin apucarea mânerului fierului de călcat, după ce fierul de călcat a fost blocat în mod corespunzător pe baza unității (a se vedea Fig.2).

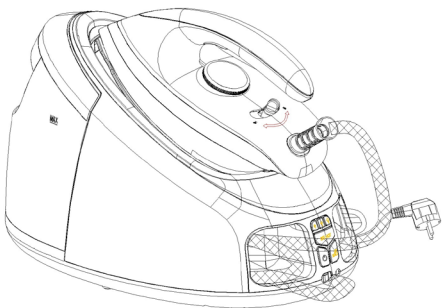


Fig.1

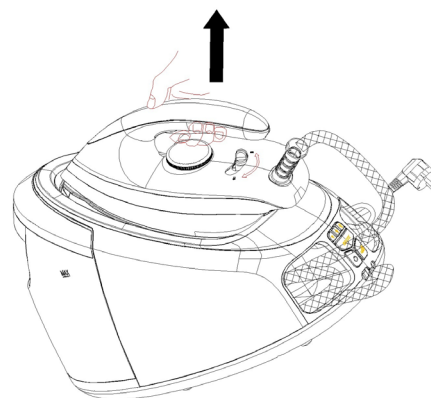


Fig.2

Declanșator de abur

După apăsarea butonului de pornire și alegerea debitului de abur dorit, se indică faptul că aburul poate fi utilizat pentru călcat atunci când indicatorul debitului de abur trece de la intermitent la luminos. În acel moment, apăsați declanșatorul de abur cu puțină forță, aburul va fi pulverizat continuu de pe talpă. Când slăbiți declanșatorul de abur, aparatul poate fi utilizat numai pentru călcat uscat, fără abur.

Jet de abur

Apăsați rapid declanșatorul de abur de două ori pentru a produce un jet de abur, care va dura 6 minute (a se vedea Fig.3). Dacă doriți să opriți producerea jetului de abur în timpul funcționării, trebuie doar să apăsați o singură dată declanșatorul de abur sau orice buton de pe panoul de control.

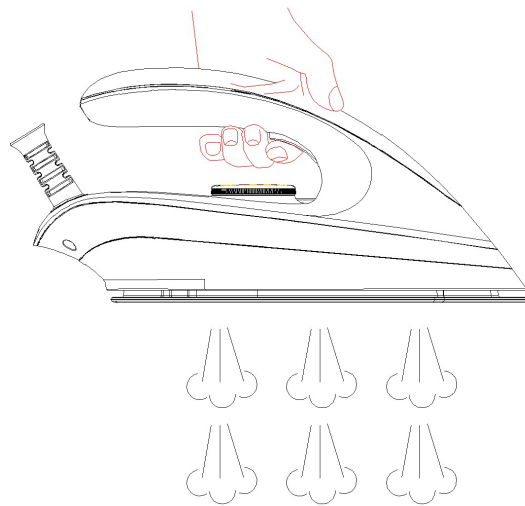


Fig.3

Indicator de decalcifiere

Dacă indicatorul de decalcifiere se aprinde, aceasta indică faptul că generatorul de abur trebuie curățat, deoarece depunerile minerale se adună într-o anumită măsură. Când sistemul se asigură că depozitele minerale au fost îndepărtate, indicatorul se va stinge.

Cutie de depozitare a cablului de alimentare și cutie de depozitare a furtunului de alimentare cu abur

Atunci când nu sunt utilizate, furtunul de alimentare cu abur și cablul de alimentare pot fi pliate bine și depozitate în cutiile lor de depozitare corespunzătoare.

Oprire automată a alimentării

Aparatul se va opri automat dacă nu activați funcția "Abur" sau dacă nu activați butoanele de comandă de pe panoul de comandă timp de 10 minute.

ÎNAINTE DE PRIMA UTILIZARE

1. Îndepărtați orice autocolante sau folie de pe talpă.
2. Umpleți rezervorul cu apă și încălziți fierul de călcat la temperatura maximă, apoi călcați peste o bucată de pânză umedă timp de câteva minute pentru a îndepărta orice reziduu de pe talpă, în conformitate cu secțiunea "Călcare cu abur".

NOTĂ:

- 1) *Este normal ca aparatul să emane un miros ciudat la prima utilizare. Acesta va dispărea după scurt timp.*
- 2) *Este posibil ca unele particule să iasă de pe talpă atunci când utilizați fierul de călcat pentru prima dată. Acest lucru este normal; particulele sunt inofensive și încetează să mai iasă din fierul de călcat după o perioadă scurtă de timp.*
- 3) *Atunci când activați funcția "Abur", aparatul poate produce un sunet de pompare. Acest lucru este normal; sunetul vă spune că apa este pompată în generatorul de abur.*
- 4) *În timpul procesului de încălzire a tălpii, va ieși automat puțin abur din talpă și acest fenomen va continua timp de aproximativ 3 secunde, ceea ce este normal.*
- 5) *După prima utilizare, în furtunul de alimentare cu abur va exista puțină apă de condensare.*

Dar la a doua utilizare, apa de condensare va fi pulverizată împreună cu aburul la începutul eliberării aburului. Acest fenomen va continua timp de mai multe secunde. Acest lucru este normal.

3. Aparatul se va opri automat dacă toți indicatorii se aprind de cinci ori împreună cu cinci semnale sonore după ce a fost pornit, în acel moment, vă rugăm să contactați departamentul de service post-vânzare.

UTILIZAREA STAȚIEI CU ABUR

Aparatul are două moduri de călcare. Puteți folosi călcarea uscată sau călcarea cu abur, pentru detalii consultați următoarele:

Călcarea uscată

1. Puneți baza unității pe o suprafață stabilă și plană și apoi puneți fierul de călcat pe suportul termoizolant al bazei unității.
2. Conectați aparatul la sursa de alimentare și apăsați butonul de alimentare, indicatorul de alimentare se aprinde.
3. Rotiți selectorul de temperatură la setarea dorită, care depinde de țesătura hainei. Fierul de călcat începe să se încălzească, iar indicatorul de temperatură va fi iluminat în mod continuu în timpul încălzirii. Consultați „**SFATURI DE CĂLCARE**”.
4. La atingerea temperaturii selectate indicatorul de temperatură se stinge. Puteți începe să călcați acum.

AVERTIZARE: Nu atingeți niciodată talpa fierbinte înainte de răcire!

Călcarea cu abur

1. Puneți baza unității pe o suprafață stabilă și plană.
2. Prindeți mânerul rezervorului de apă pentru a scoate rezervorul de apă, apoi umpleți-l cu apă prin orificiul de umplere. Ar fi bine să folosiți apă purificată cu mai puține particule de calciu. După aceasta, reinstalați rezervorul de apă în mod corespunzător. Capacitatea maximă a rezervorului de apă este de 1,7 l, iar nivelul apei nu trebuie să depășească marcajul MAX.
2. Puneți fierul de călcat pe suportul termoizolant al bazei unității.
3. Conectați aparatul la sursa de alimentare, apăsați butonul de pornire, iar indicatorul implicit al debitului scăzut de abur se va aprinde intermitent. Sunt disponibile trei moduri, și anume debit redus, mediu și ridicat de abur, puteți selecta debitul de abur dorit pentru fiecare articol de îmbrăcăminte în funcție de cerințele dumneavoastră. Asigurați-vă că există suficientă apă în rezervor.
4. Rotiți selectorul de temperatură la setarea dorită, care depinde de țesătura hainei. Fierul de

călcăt începe să se încălzească, iar indicatorul de temperatură va fi iluminat în mod continuu în timpul încălzirii. Consultați „SFATURI DE CĂLCARE“ și „TABELUL ADIȚIONAL“ așa cum se arată mai jos atunci când selectați temperatura.

5. După câteva minute, indicatorul de temperatură se va stinge, ceea ce indică faptul că temperatura

tălpii a atins valoarea selectată. Atunci când indicatorul debitului de abur selectat se schimbă de la intermitent la continuu, acesta indică faptul că fierul de călcat este pregătit pentru călcarea hainelor cu abur.

6. Apăsăți declanșatorul de abur cu puțină forță, aburul va fi pulverizat continuu de pe talpă și veți putea călca hainele cu abur.

7. Apăsăți rapid declanșatorul de abur de două ori pentru a produce un jet de abur dacă aveți nevoie să îndepărtați pliurile dificile.

Notă: Este posibil să curgă apă în timpul pulverizării aburului atunci când temperatura tălpii este la a doua setare sau inferioară acesteia. Acest lucru este normal.

Atenție:

1) Nu atingeți niciodată talpa fierbinte înainte de răcire!

2) Nu îndreptați niciodată aburul spre oameni!

3) Nu activați declanșatorul de abur atunci când fierul de călcat este așezat pe baza unității pentru a evita să vă opăriți cu abur.

8. După călcare, apăsați butonul de pornire pentru mai mult de 2 secunde, aparatul va fi oprit și toate indicatoarele se vor stinge. Scoateți ștecherul din priza de perete. Dar talpa este încă fierbinte, nu o atingeți niciodată cu mâna, ci puneți-o pe suportul termoizolant până când se răcește complet.

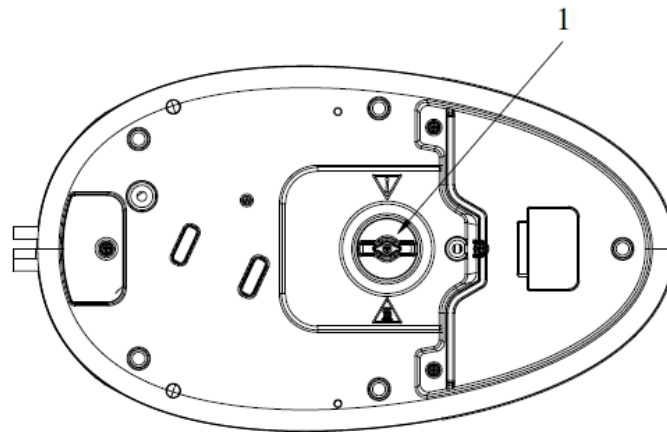
FUNCȚIA DE AUTO-CURĂȚARE

Dacă indicatorul de decalcifiere se aprinde, aceasta indică faptul că generatorul de abur

trebuie curățat, deoarece depunerile minerale se adună într-o anumită măsură. Când sistemul se asigură că depozitele minerale au fost îndepărtate, indicatorul de decalcifiere se va stinge. Înainte de curățare, asigurați-vă că "Indicatorul de decalcifiere" se aprinde în mod continuu, apoi scoateți aparatul din priză și lăsați-l să se răcească.

1. Scoateți rezervorul de apă, ridicați baza unității și puneți-o pe o suprafață plană, apoi rotiți în sens invers acelor de ceasornic butonul din partea inferioară a bazei unității pentru a o scoate.

AVERTIZARE: Pentru a evita riscul de opărire, asigurați-vă că aparatul s-a răcit complet înainte de a scoate butonul, poziția 1 din imaginea de mai jos.



2. Instalați conectorul de scurgere în conducta de scurgere.

3. Puneți baza unității pe o masă adecvată și fixă, apoi puneți tubul de silicon într-un recipient, după care umpleți rezervorul de apă cu apă și puneți-l înapoi în poziție (a se vedea Fig.4). Asigurați-vă că aparatul este așezat în poziție stabilă.

Număr	Descriere
1	Tub de silicon
2	Recipient
3	Masă fixă

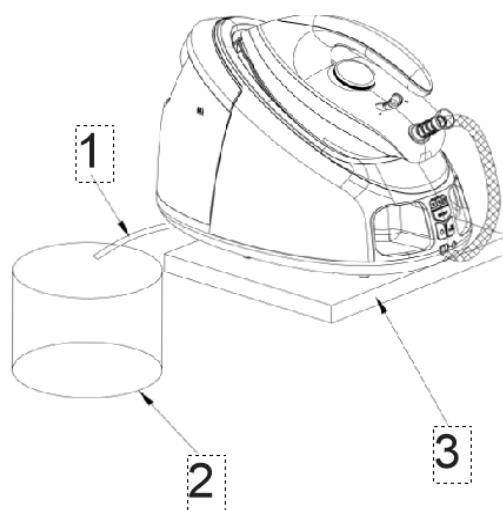


Fig. 4

4. Conectați aparatul la sursa de alimentare, apăsați în jos butonul de alimentare, apoi țineți apăsat simultan "Butonul de decalcifiere" și "declanșatorul de abur" timp de aproximativ 1 secundă, în acel moment se poate auzi un semnal sonor și indicatorul de decalcifiere începe să lumineze intermitent, apoi aparatul începe să curețe generatorul de abur, iar aburul și calcarul curg din generatorul de abur, aproximativ 3 minute mai târziu, se poate auzi un semnal sonor, indicatorul de decalcifiere se stinge și aparatul se oprește automat.

NOTĂ: Nu atingeți și nu vă apropiați de recipient în timpul curățării pentru a evita să vă opăriți.

5. Scoateți din priză și îndepărtați rezervorul de apă, apoi puneți fierul de călcat pe o suprafață plană, după care, ridicați baza unității și puneți-o pe o suprafață plană, apoi rotiți butonul în sensul acelor de ceasornic pentru a o strânge și instalați bine conectorul de scurgere în poziție. În cele din urmă, răsturnați baza unității și puneți fierul de călcat pe suportul termoizolant al bazei unității.

CURĂȚARE ȘI ÎNTREȚI Fig. 8

Deconectați aparatul de la rețea înainte de curățare și lăsați-l să se răcească complet.

1. Ștergeți impuritățile și orice alte depuneri de pe talpă cu o lavetă umedă sau cu un agent de curățare (lichid) neabraziv.

NOTĂ: Nu folosiți produse de curățare chimice, de oțel, de lemn sau abrazive pentru a răzui talpa.

2. Curățați partea superioară a fierului de călcat cu o cârpă moale și umedă. Ștergeți picăturile de apă de pe baza unității și de pe suportul termoizolator cu o lavetă uscată.

3. Efectuați curățarea automată urmând operațiunea descrisă la "**FUNCȚIA AUTO CURĂȚARE**

" atunci când se aprinde "Indicatorul de decalcifiere"

4. Atunci când nu utilizați aparatul pentru o perioadă lungă de timp, scurgeți apa din rezervor, rotiți selectorul de temperatură la setarea minimă și depozitați fierul de călcat pe perna termoizolantă, apoi împingeți dispozitivul de blocare a fierului de călcat în poziția de blocare pentru a bloca bine fierul de călcat.

Notă: Întreaga stație de abur poate fi ridicată prin apucarea mânerului fierului de călcat, după ce fierul de călcat a fost blocat în mod corespunzător pe baza unității .

5. Atunci când nu sunt utilizate, furtunul de alimentare cu abur și cablul de alimentare pot fi pliate bine și depozitate în cutiile lor de depozitare corespunzătoare, apoi depozitați aparatul într-un loc care să nu fie la îndemâna copilului.

SFATURI PENTRU CĂLCARE

-Întotdeauna verificați mai întâi dacă pe articol este atașată o etichetă cu instrucțiuni de călcare. Urmăți întotdeauna aceste instrucțiuni pentru călcare.

-Fierul de călcat se încălzește mai repede decât se răcește, prin urmare, ar trebui să începeți să călcați articolele care necesită cea mai joasă temperatură, cum ar fi cele din fibre sintetice.

-În cazul în care țesătura este formată din diferite tipuri de fibre, trebuie să selectați întotdeauna cea mai scăzută temperatură de călcare pentru a călca compoziția acestor fibre.

- Țesăturile din fibre sintetice și mătase trebuie călcate pe partea interioară pentru a evita efectul de luciu.

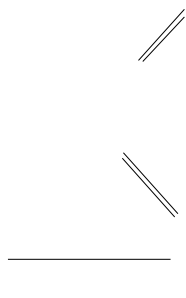
Catifeaua și alte texturi care devin rapid lucioase trebuie călcate într-o singură direcție, cu o presiune ușoară. Întotdeauna țineți fierul în mișcare în orice moment.

-Țesăturile din lână pură (100% lână) pot fi călcate cu fierul de călcat cu aburi. Setări de preferință selectorul de temperatură pe poziția a treia și folosiți o țesătură uscată pentru

protecție.

- Nu călcați niciodată peste fermoare sau ținte din țesătură. Acest lucru va deteriora talpa. Călcați de jur împrejurul unui astfel de obiect.

ELIMINARE ECOLOGICĂ



*Puteți ajuta la protejarea mediului înconjurător!
Vă rugăm să nu uitați să respectați
reglementările locale: predați echipamentele
electrice nefuncționale la un centru de eliminare
a deșeurilor adecvat.*

ВАЖНЫЕ МЕРЫ БЕЗОПАСНОСТИ

Перед использованием электроприбора необходимо ознакомиться с основными мерами предосторожности, приведенными ниже.

Внимательно прочитайте всю инструкцию по эксплуатации.

1. Перед подключением прибора к электросети проверьте, совпадает ли напряжение, указанное в заводской табличке, с фактическими параметрами сети.
2. Не пользуйтесь прибором, если шнур питания, вилка, индикатор или сам прибор имеют видимые повреждения, а также если прибор роняли или он протекает. Во избежание опасных ситуаций обратитесь в авторизованный сервисный центр или к квалифицированному специалисту для осмотра и ремонта.
3. Во избежание опасных ситуаций замену поврежденного шнура питания может проводить производитель, авторизованный сервисный центр или квалифицированный специалист.
4. Не допускайте контакта шнура питания с подошвой, если она горячая.
5. Контакт с горячими металлическими деталями, горячей водой или паром может привести к ожогам.
6. Не допускайте, чтобы шнур питания свисал или перегибался через край стола или горячей поверхности.
7. Во избежание поражения электрическим током не погружайте прибор в воду или другую жидкость. Если это произошло, не используйте прибор и утилизируйте его.
8. Не оставляйте прибор без присмотра, если он подключен к питанию или стоит на гладильной доске.
9. Устанавливайте и используйте прибор на устойчивой, ровной горизонтальной поверхности.
10. Использование принадлежностей, не рекомендованных производителем, может привести к травмам или повреждению прибора.
11. При установке утюга на базу убедитесь, что поверхность, на которой установлена база, устойчивая.
12. Во время использования ручка в нижней части базы должна быть плотно закрыта.
13. Не наполняйте резервуар для воды горячей водой, духами, уксусом, крахмалом, средством для удаления накипи, смягчителем ткани или другими химическими веществами.
14. Отключайте прибор от розетки, когда он не используется, перед наполнением резервуара водой и перед очисткой.
15. Используйте прибор только по назначению.
16. Использование прибора детьми старше 8 лет и людьми с ограниченными физическими, сенсорными и умственными способностями или с недостатком опыта или знаний допускается, только если они находятся под присмотром, получили инструкции по безопасному использованию прибора и понимают опасности, связанные с его эксплуатацией.
17. Не позволяйте детям играть с прибором. Дети могут очищать и осуществлять

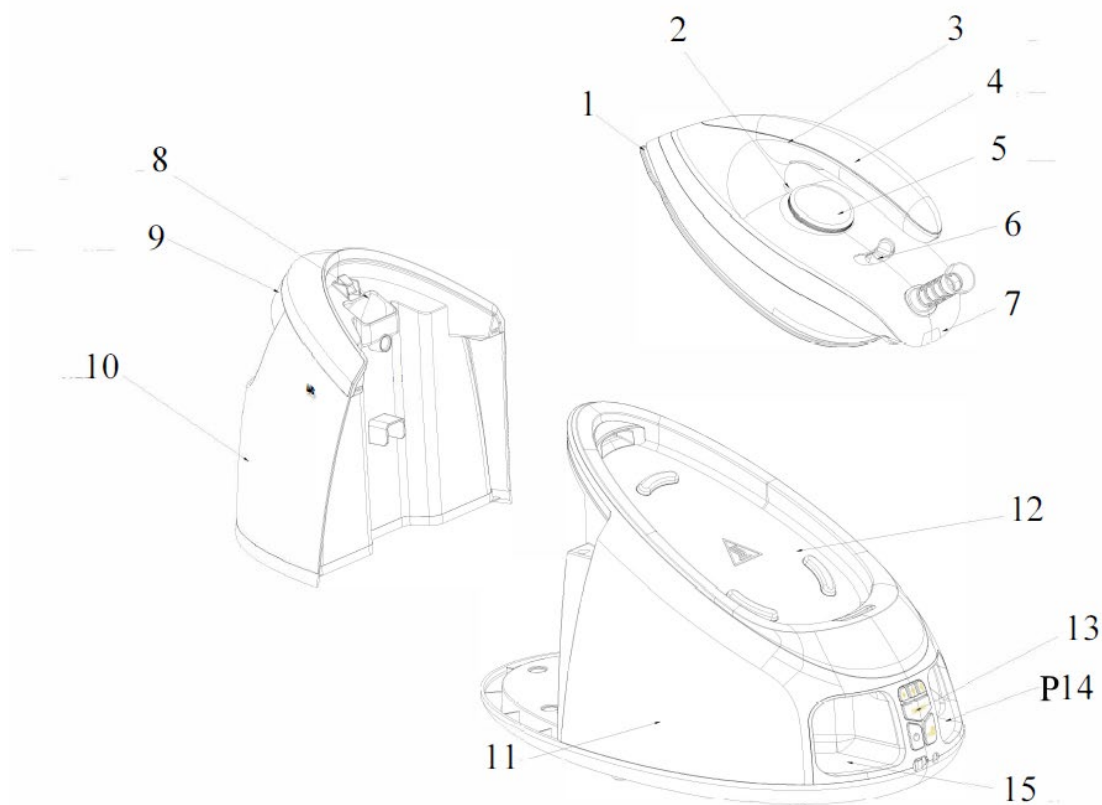
обслуживание прибора только под присмотром.

18. Запрещается использовать прибор, если он упал, имеет видимые следы повреждения или протекает.
19. Храните прибор и шнур питания в месте, недоступном для детей младше 8 лет, когда он подключен к питанию или охлаждается.
20. Не прикасайтесь к горячей подошве, пока утюг полностью не остынет и не отключен от сети.
21. Не используйте прибор вне помещения.
22. Сохраните эту инструкцию!

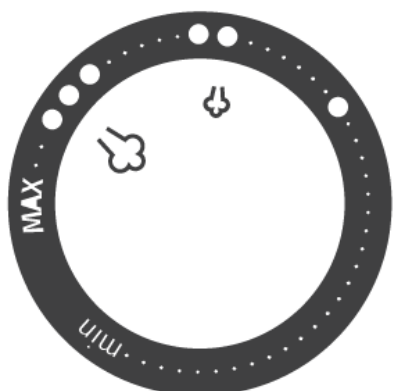
ТОЛЬКО ДЛЯ БЫТОВОГО ИСПОЛЬЗОВАНИЯ

ОПИСАНИЕ ПРИБОРА

№	Описание
1	Подошва
2	Индикатор температуры
3	Кнопка подачи пара
4	Ручка
5	Регулятор температуры
6	Фиксатор для переноски
7	Утюг
8	Заливное отверстие
9	Ручка резервуара для воды
10	Резервуар для воды
11	База
12	Подставка для утюга
13	Панель управления
14	Место для хранения шнура питания
15	Место для хранения шланга подачи пара



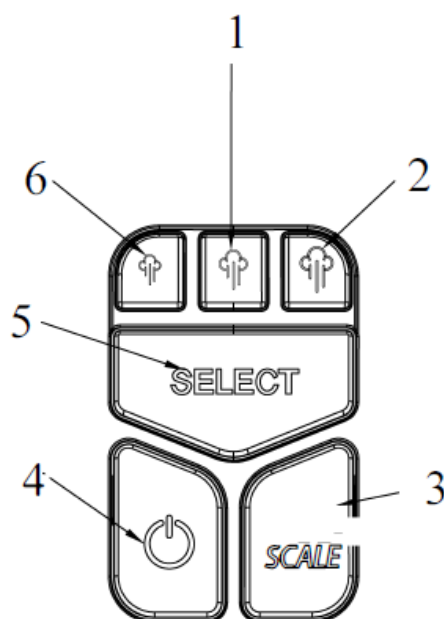
Регулятор температуры



●	Шелк $80 < T < 120$
● ●	Шерсть $115 < T < 160$
● ● ●	Хлопок $170 < T < 215$
MAX	Максимальная $175 < T < 225$

ПАНЕЛЬ УПРАВЛЕНИЯ

№	Описание
1	Нормальный пар
2	Интенсивный пар
3	Кнопка очистки от накипи
4	Кнопка питания
5	Регулировка подачи пара
6	Малый пар



Заливное отверстие

Наполняйте резервуар для воды через заливное отверстие. Не превышайте отметку MAX.

Кнопка питания

Подключите прибор к электросети и нажмите кнопку питания. Загорится индикатор питания. По умолчанию включается режим малого пара, и мигает соответствующий индикатор. Удерживайте кнопку питания более 2 секунд, чтобы выключить прибор.

Кнопка регулировки подачи пара

С помощью кнопки выберите интенсивность подачи пара: малый, нормальный или интенсивный пар. При выборе начинает мигать соответствующий индикатор. Когда завершится предварительный нагрев, индикатор перестает мигать и горит постоянно, показывая, что пар готов к использованию. При переключении с низкой на высокую интенсивность подачи пара индикатор выбранной интенсивности мигает. При переключении с высокой на низкую интенсивность подачи пара индикатор горит постоянно.



Регулятор температуры

Поверните регулятор, чтобы установить температуру глажки в соответствии с типом ткани, которую необходимо гладить.

Индикатор температуры

Прибор нагревается, пока не достигнет заданной температуры. Во время нагрева горит индикатор температуры. После достижения температуры индикатор гаснет. Индикатор температуры периодически загорается и гаснет, так как утюг поддерживает заданную температуру во время глажки.

Фиксатор для переноски

Установите утюг на подставку на базе и переведите фиксатор в положение , чтобы зафиксировать утюг. Чтобы разблокировать утюг, переведите фиксатор в положение . Теперь утюг можно снять и гладить одежду (см. рис. 1). Весь прибор можно поднять за ручку утюга, предварительно надежно зафиксировав утюг на базе (см. рис. 2).

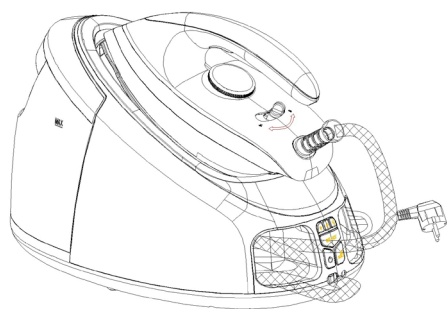


Рис. 1

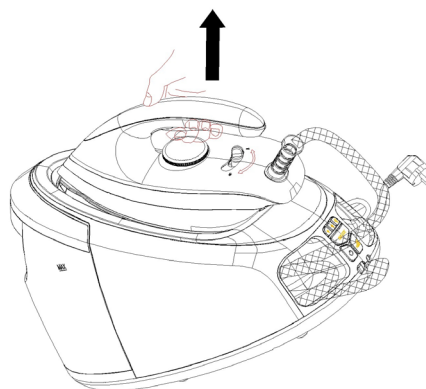


Рис. 2

Кнопка подачи пара

После включения прибора и выбора интенсивности подачи пара соответствующий индикатор интенсивности подачи пара сначала мигает, затем постоянно горит, показывая, что прибор готов к работе. Нажмите кнопку подачи пара с небольшим усилием и удерживайте, пар начнет непрерывно поступать из подошвы утюга. Если отпустить кнопку подачи пара, прибор будет гладить без пара.

Паровой удар

Быстро нажмите кнопку подачи пара два раза, и пар будет подаваться в течение 6 минут (см. рис. 3). Чтобы остановить подачу пара, один раз нажмите кнопку подачи пара или любую кнопку на панели управления.

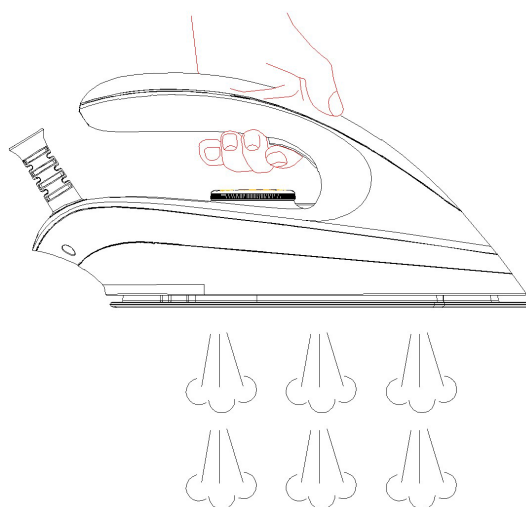


Рис. 3

Индикатор очистки от накипи

Если горит индикатор очистки от накипи, значит, в парогенераторе скопилось большое количество минеральных отложений. После их удаления индикатор погаснет.

Хранение шнура питания и шланга подачи пара

Если шланг подачи пара и шнур питания не используются, их можно сложить и хранить в соответствующих отсеках для хранения.

Автоматическое отключение

Прибор автоматически отключается, если в течение 10 минут не включать подачу пара или не нажимать кнопки на панели управления.

ПЕРЕД ПЕРВЫМ ИСПОЛЬЗОВАНИЕМ

1. Удалите с подошвы утюга наклейки или защитную пленку.
2. Наполните резервуар водой и нагрейте утюг до максимальной температуры. В течение нескольких минут прогладьте влажную ткань, как описано в разделе «Глажка с паром», чтобы удалить возможные остатки и загрязнения с подошвы утюга.

ПРИМЕЧАНИЕ

- 1) *При первом использовании прибора может появиться запах. Это нормально. Через некоторое время запах исчезнет.*
 - 2) *При первом использовании из подошвы утюга могут выходить частички. Это нормально. Частички безвредны и через некоторое время перестанут выходить из утюга.*
 - 3) *При глажке с паром может быть слышен звук работающего насоса. Это нормально. Звук сопровождает подачу воды в парогенератор.*
 - 4) *Во время нагрева из подошвы утюга выходит небольшое количество пара в течение примерно 3 секунд. Это нормально.*
 - 5) *После первого использования в шланге подачи пара остается небольшое количество конденсата. При следующем использовании в начале подачи пара конденсат выходит вместе с паром в течение нескольких секунд. Это нормально.*
3. Если после подключения прибора все индикаторы мигнут пять раз и раздастся пять звуковых сигналов, прибор автоматически выключится. В этом случае обратитесь в сервисный центр.

ИСПОЛЬЗОВАНИЕ

Вы можете использовать прибор для глажки без пара и для глажки с паром. Оба способа использования подробно описаны далее в соответствующих разделах.

Глажка без пара

1. Поместите базу на ровную, устойчивую поверхность. Сверху на подставку установите утюг.
2. Подключите прибор к электросети и нажмите кнопку питания. Загорится индикатор питания.
3. Регулятором температуры выберите температурный режим в соответствии с типом ткани. Утюг начнет нагреваться. Во время нагрева постоянно горит индикатор температуры. См. раздел «**СОВЕТЫ ПО ГЛАЖЕНИЮ**».
4. Когда заданная температура будет достигнута, индикатор температуры погаснет. Можно приступить к глажке.

ПРЕДУПРЕЖДЕНИЕ! *Не прикасайтесь к горячей подошве утюга, пока она не остынет!*

Глажка с паром

1. Поместите базу на ровную, устойчивую поверхность.
2. Снимите резервуар для воды, взявшись за ручку на резервуаре, и наполните водой через заливное отверстие. Рекомендуется использовать очищенную воду с низким содержанием кальция. Установите резервуар для воды на место. Максимальный объем резервуара составляет 1,7 литра, уровень воды не должен превышать

отметку МАХ.

3. Установите утюг на подставку.
4. Подключите прибор к электросети и нажмите кнопку питания. Начнет мигать индикатор малого пара, который установлен по умолчанию. Имеется три интенсивности подачи пара: малый, нормальный или интенсивный пар. Выберите необходимую интенсивность подачи пара с учетом типа ткани и вашими пожеланиями. Убедитесь, что в резервуаре достаточно воды.
5. Регулятором температуры выберите температурный режим в соответствии с типом ткани. Утюг начнет нагреваться. Во время нагрева постоянно горит индикатор температуры. При выборе температуры см. разделы «**СОВЕТЫ ПО ГЛАЖЕНИЮ**» и «**ДОПОЛНИТЕЛЬНАЯ ТАБЛИЦА**».
6. Через несколько минут индикатор температуры погаснет, показывая, что утюг нагрелся до заданной температуры. Когда индикатор выбранной интенсивности подачи пара перестанет мигать и будет постоянно гореть, утюг будет готов к глажке с паром.
7. Нажмите кнопку подачи пара с небольшим усилием и удерживайте, пар начнет непрерывно поступать из подошвы утюга. Можно приступить к глажке.
8. Если вам необходимо разгладить сильные складки и замины, быстро нажмите кнопку подачи пара два раза для особо интенсивной подачи пара.

***Примечание.** Если установлена вторая настройка температуры или ниже, то при подаче пара из подошвы может капать вода. Это нормально.*

Внимание!

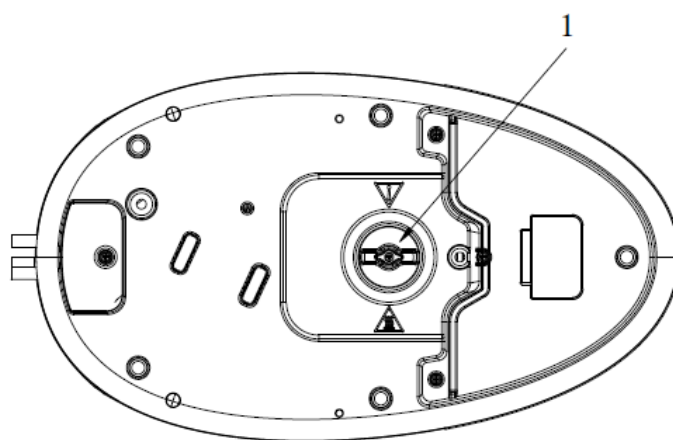
- 1) ***Не прикасайтесь к горячей подошве утюга, пока она не остынет!***
 - 2) ***Не направляйте пар на людей!***
 - 3) ***Во избежание ожога не нажимайте кнопку подачи пара, когда утюг установлен на базе.***
9. После глажки нажмите и удерживайте кнопку питания более 2 секунд. Прибор выключится, и все индикаторы погаснут. Выньте вилку из розетки. Если подошва еще горячая, не прикасайтесь к ней руками, оставьте утюг на подставке на базе до полного остывания.

САМООЧИСТКА

Если горит индикатор очистки от накипи, значит, в парогенераторе скопилось большое количество минеральных отложений. Индикатор погаснет после их удаления. Перед очисткой убедитесь, что горит индикатор очистки от накипи, затем отключите прибор от электросети и дайте ему остыть.

1. Снимите резервуар для воды, переверните базу и положите на ровную поверхность. Поверните ручку в нижней части базы прибора против часовой стрелки и извлеките.

ПРЕДУПРЕЖДЕНИЕ! Во избежание ожога перед снятием ручки убедитесь, что прибор полностью остыл; положение 1 на рисунке ниже.



2. Установите сливной штуцер в сливную трубку.
3. Поставьте базу на устойчивый стол, направьте силиконовую трубку в емкость, наполните резервуар для воды водой и установите на место (см. рис. 4). Убедитесь, что прибор стоит устойчиво.

№	Описание
1	Силиконовая трубка
2	Емкость
3	Устойчивый стол

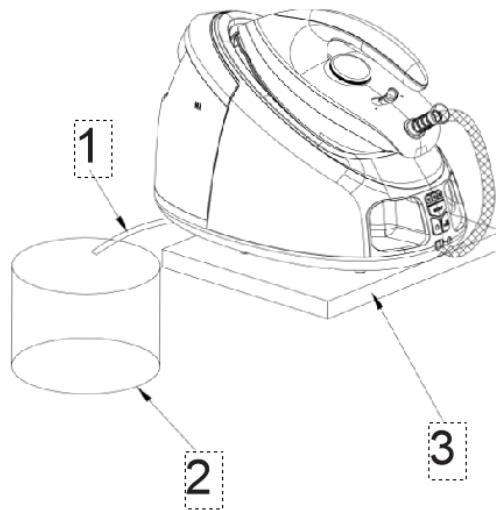


Рис.
4

4. Подключите прибор к электросети, нажмите кнопку питания, затем одновременно нажмите и удерживайте примерно 1 секунду кнопку очистки от накипи и кнопку подачи пара. Раздастся один звуковой сигнал, и начнет мигать индикатор очистки от накипи. Начнется очистка парогенератора, из него будут выходить пар и хлопья накипи. Примерно через 3 минуты раздастся звуковой сигнал, индикатор очистки от накипи погаснет, и прибор автоматически выключится.

ПРИМЕЧАНИЕ. Не прикасайтесь и не приближайтесь к емкости во время очистки во избежание ожогов.

5. Извлеките вилку шнура питания из розетки и снимите резервуар для воды. Поставьте утюг на ровную поверхность, переверните базу и поставьте на ровную поверхность, поверните ручку по часовой стрелке и плотно закрутите и затем установите сливной штуцер в исходное положение. Переверните базу прибора и поставьте утюг сверху на подставку.

ОЧИСТКА И ОБСЛУЖИВАНИЕ

Перед очисткой отключите прибор от электросети и дайте ему остыть.

1. Используйте влажную ткань с неабразивным (жидким) моющим средством для очистки подошвы утюга.

ПРИМЕЧАНИЕ. *Не используйте химические, стальные, деревянные или абразивные чистящие средства для очистки подошвы.*

2. Очищайте верхнюю часть утюга мягкой влажной тканью. Капли воды на базе и подставке вытирайте сухой тканью.
3. Когда загорается индикатор очистки от накипи, выполняйте самоочистку, как описано в разделе «САМООЧИСТКА».
4. Если вы не будете пользоваться прибором длительное время, вылейте воду из

резервуара для воды, поверните регулятор температуры в положение минимальной температуры и поставьте утюг на подставку на базе. Затем переведите фиксатор для переноски в положение «закрото», чтобы зафиксировать утюг.

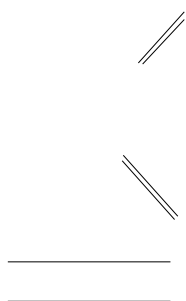
Примечание. *Весь прибор можно поднять за ручку утюга, предварительно надежно зафиксировав утюг на базе.*

5. Когда прибор не используется, сложите и уберите шланг подачи пара и шнур питания в соответствующие отсеки для хранения и затем уберите прибор в недоступное для детей место.

СОВЕТЫ ПО ГЛАЖЕНИЮ

- Проверьте, имеется ли на изделии этикетка с указаниями по уходу и следуйте ее указаниям по глажке.
- Утюг нагревается быстрее, чем остывает, поэтому начинайте глажку с изделий, требующих самую низкую температуру глажки, например, из синтетических волокон.
- Если ткань состоит из различных видов волокон, выбирайте самую низкую температуру глажки, чтобы прогладить все волокна.
- Синтетические и шелковые ткани следует гладить с внутренней стороны, чтобы они не блестели.
- Бархат и другие ткани, которые быстро становятся блестящими, следует гладить в одном направлении с легким нажимом. Постоянно перемещайте утюг по ткани.
- Полностью шерстяные ткани (100% шерсть) можно гладить с паром. Рекомендуется установить регулятор температуры в положение 3 и гладить через сухую ткань.
- Не гладьте молнии и заклепки, так как они могут повредить подошву. Гладьте ткань вокруг фурнитуры.

УТИЛИЗАЦИЯ



***Вы можете внести свой вклад в охрану окружающей среды!
Соблюдайте требования местного законодательства. Сдайте отслуживший электроприбор в пункт утилизации отходов.***

DŮLEŽITÁ BEZPEČNOSTNÍ OPATŘENÍ

Před použitím elektrického zařízení je třeba vždy dodržovat základní opatření, včetně následujících:

Přečtěte si všechny pokyny.

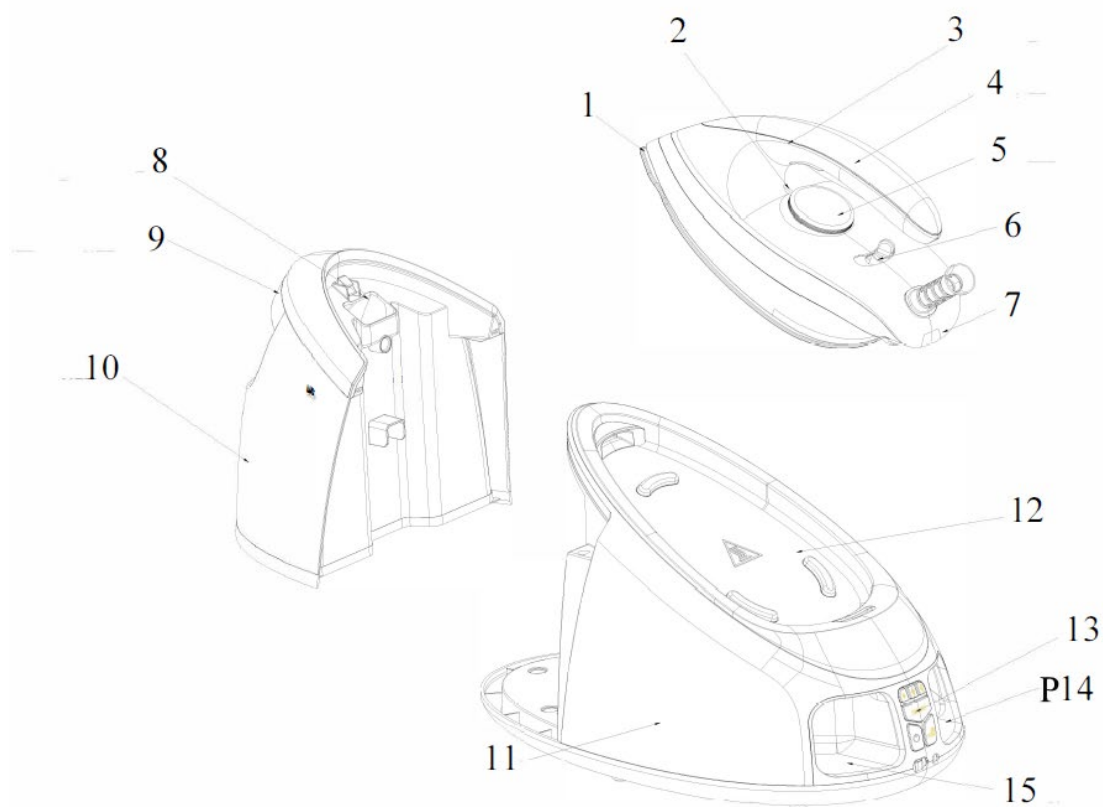
1. Před použitím se ujistěte, že se napětí uvedené na typovém štítku shoduje s elektrickým napětím zásuvky.
2. Spotřebič nepoužívejte, pokud hlavní kabel, zástrčka, světlo nebo samotný spotřebič vykazuje viditelné poškození, spotřebič spadl nebo prosakuje. Odneste jej do nejbližšího autorizovaného servisního střediska nebo kvalifikovaného servisního technika na kontrolu a opravu, aby se předešlo nebezpečí.
3. Pokud je napájecí kabel poškozen, musí být nahrazen speciálním kabelem nebo sestavou, kterou získáte od výrobce nebo jeho servisního zástupce.
4. Nedovolte, aby se kabel dostal do kontaktu s žehlicí plochou, když je horká.
5. Aby nedošlo k popálení, vyhněte se kontaktu s horkými částmi žehličky, s horkou vodou či párou.
6. Nenechte kabel viset přes okraj stolu nebo horký povrch.
7. Neponořujte žehličku do vody ani jiných tekutin, abyste zabránili úrazu elektrickým proudem. Pokud k tomu dojde, tento spotřebič již nepoužívejte; spotřebič zlikvidujte.
8. Nenechávejte žehličku bez dozoru, pokud je připojena ke zdroji napájení nebo na žehlicím prkně.
9. Umístěte nebo používejte zařízení vždy na stabilním, vyrovnaném a horizontálním povrchu.
10. Použití příslušenství, které není doporučeno výrobcem, může způsobit zranění osob nebo poškození spotřebiče.
11. Při pokládání žehličky na její stojan se ujistěte, že povrch, na kterém je stojan umístěn, je stabilní.
12. Knoflík na spodní straně základny jednotky musí být během používání vždy dobře uzavřen.
13. Nikdy neplňte nádržku na vodu horkou vodou, vůní, octem, škrobem, odstraňovačem vodního kamene, aviváží nebo jiným chemickým činidlem.
14. Před čištěním, plněním vody nebo v době nepoužívání vytáhněte zástrčku ze zásuvky.
15. Nepoužívejte zařízení k jinému než určenému účelu.

16. Děti starší osmi let a osoby se sníženými tělesnými, smyslovými a rozumovými schopnostmi či s nedostatkem znalostí a zkušeností mohou tento spotřebič používat pod odpovídajícím dohledem, nebo pokud byly poučeny o bezpečném používání spotřebiče a chápou nebezpečí spojená s jeho používáním.
17. Děti si se spotřebičem nesmějí hrát. Děti spotřebič nesmějí čistit ani na něm bez odpovídajícího dohledu vykonávat údržbu.
18. Žehlička se nesmí používat, pokud spadla, jsou na ní viditelné známky poškození nebo pokud prosakuje.
19. Uchovávejte žehličku a její přívodní kabel mimo dosah dětí mladších 8 let, když je pod napětím nebo ochlazuje.
20. Nikdy se nedotýkejte horké žehlicí plochy, dokud není žehlička zcela vychladlá a odpojená ze zásuvky.
21. Nepoužívejte zařízení venku.
22. Tyto pokyny uschovejte.

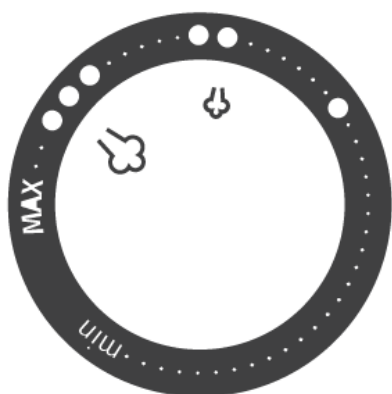
POUZE PRO DOMÁCÍ POUŽITÍ

POZNEJTE SVOU PARNÍ STANICI

Číslo	Popis
1	Žehlicí deska
2	Ukazatel teploty
3	Parní spoušť
4	Rukojeť
5	Knoflík teploty
6	Zámek pro uzamknutí žehličky na stanici
7	Žehlička
8	Plnicí otvor
9	Rukojeť nádrže na vodu
10	Nádrž na vodu
11	Základna jednotky
12	Stojan na tepelnou izolaci
13	Ovládací panel
14	Úložný prostor pro napájecí kabel
15	Skladování parního kabelu



VOLIČ TEPLoty

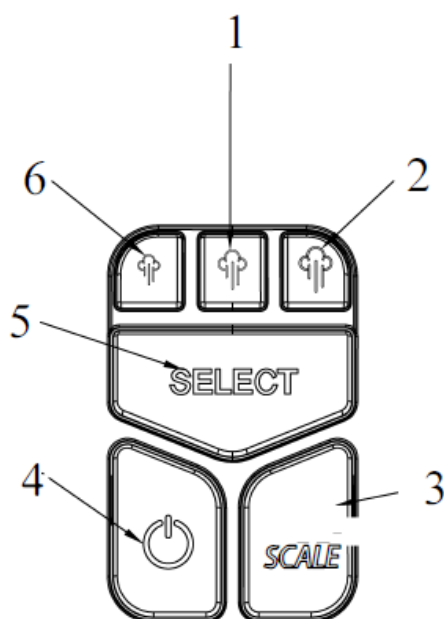


●	Hedvábí 80<T<120
● ●	Vlna 115<T<160
● ● ●	Bavlna 170<T<215
MAX	Maximum 175<T<225

OVLÁDACÍ PANEL

Číslo	Popis
1	Střední množství páry
2	Vysoké množství páry
3	Tlačítko pro odstranění vodního kamene

4	Tlačítko zapnutí
5	Ovládání množství páry
6	Nízké množství páry



Plnicí otvor

Naplňte nádržku na vodu vodou přes plnicí otvor nádržky na vodu. Ujistěte se, že voda nepřesahuje značku MAX na nádrži na vodu.

Tlačítko zapnutí

Zapojte spotřebič a stiskněte tlačítko napájení, indikátor napájení se rozsvítí, nízký výkon páry je považován za výchozí a jeho indikátor bude blikat. Podržte a stiskněte tlačítko napájení déle než 2 sekundy, spotřebič se vypne.

Tlačítko ovládání množství páry

Množství páry lze zvolit nízké, střední nebo vysoké pomocí tlačítka ovládání množství páry. U každého nastavení, které chcete vybrat, jeho indikátor bude blikat a po dokončení přehřátí bude trvale svítit, což znamená, že pára je připravena k použití. Indikátor zvolené rychlosti páry bude blikat, když je rychlost páry přepnuta z nízkého na vysoké nastavení,

zatímco bude trvale svítit při přepnutí rychlosti páry z vysokého na nízké nastavení.



Číselník teploty

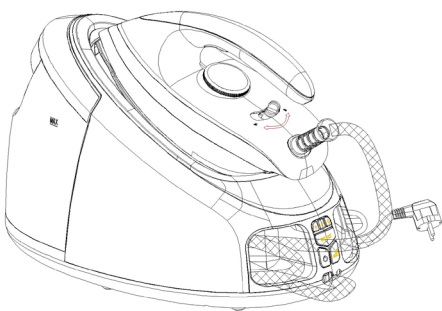
Otáčením ovladače nastavte teplotu žehlení podle oděvu, který je třeba žehlit.

Ukazatel teploty

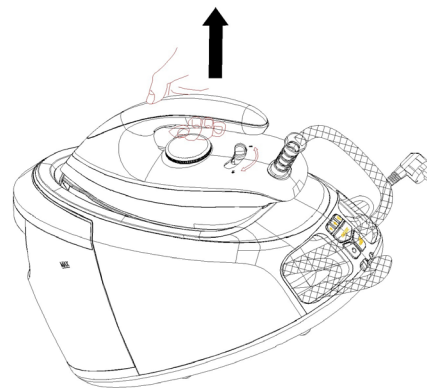
Spotřebič se zahřeje, když nedosáhne zvolené teploty. Indikátor teploty se rozsvítí, když se spotřebič zahřívá. Jakmile spotřebič dosáhne zvolené teploty, indikátor teploty zhasne. Indikátor teploty se bude cyklicky zapínat a vypínat, protože žehlička během žehlení udržuje zvolenou teplotu.

Zámek žehličky

Položte žehličku na tepelně izolační podstavec základny jednotky, poté zatlačte zámek žehličky do polohy „“, abyste zablokovali žehličku na základně jednotky. Chcete-li odemknout, zatlačte zámek žehličky do polohy „“, poté můžete žehličku vyjmout a vyžehlit oblečení (viz obr. 1). Celou parní stanici lze zvednout uchopením za rukojeť žehličky poté, co byla žehlička řádně zajištěna na základně jednotky (viz obr.2).



Obr.1



Obr.2

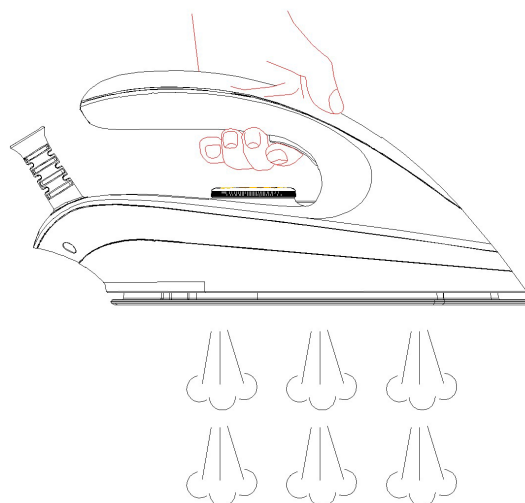
Spoušť páry

Po stisknutí tlačítka napájení a výběru požadované rychlosti páry pára může být použita k žehlení, když indikátor rychlosti páry přejde z blikání na nepřerušované svícení. V tom okamžiku stiskněte páčku páry malou silou, pára bude nepřetržitě vystřikovat z žehlicí plochy. Když uvolníte spoušť páry, můžete spotřebič používat pouze pro suché žehlení bez

páry.

Výstřel páry

Dvakrát rychle stiskněte spoušť páry, aby se vytvořil výstřik páry, který bude trvat 6 minut (viz obr.3). Pokud chcete během provozu ukončit produkci páry, stačí stisknout spoušť páry nebo jakékoli tlačítko na ovládacím panelu pouze jednou.



Obr.3

Indikátor odvápnění

Pokud se indikátor odvápnění rozsvítí, znamená to, že parní generátor musí být vyčištěn kvůli hromadění minerálních usazenin. Když systém zajistí odstranění minerálních usazenin, indikátor zhasne.

Úložný box pro napájecí kabel a úložný box pro přívodní hadici páry

Když se parní přívodní hadice a napájecí kabel nepoužívají, lze je dobře složit a uložit do příslušných úložných boxů.

Automatické vypnutí

Spotřebič se automaticky vypne, pokud neaktivujete funkci „Pára“ nebo neaktivujete ovládací tlačítka na ovládacím panelu do 10 minut.

PŘED PRVNÍM POUŽITÍM

1. Odstraňte z žehlicí plochy všechny nálepky nebo ochrannou fólii.
2. Naplňte nádržku na vodu vodou a zahřejte žehličku na maximální teplotu a poté několik minut žehlete přes kus vlhkého hadříku, abyste odstranili veškeré zbytky na žehlicí ploše podle části „Žehlení s párou”.

POZNÁMKA:

- 1) *Je normální, že při prvním použití z jednotky vychází zvláštní zápach. To po krátké chvíli přestane.*
 - 2) *Při prvním použití žehličky mohou ze žehlicí plochy vypadnout nějaké částice. To je normální; částice jsou neškodné a po krátké chvíli přestanou z žehličky vypadávat.*
 - 3) *Když aktivujete funkci „Pára“, může spotřebič vydávat zvuk pumpování. To je normální; zvuk vám oznámí, že se do generátoru páry čerpá voda.*
 - 4) *Během procesu zahřívání žehlicí plochy bude z žehlicí plochy automaticky vycházet malé množství páry a tento jev bude pokračovat asi 3 sekundy, to je normální.*
 - 5) *Po prvním použití bude v hadici přívodu páry málo kondenzované vody. Ale při druhém použití bude kondenzovaná voda vystříknuta spolu s párou na začátku uvolňování páry. Tento jev bude trvat několik sekund. To je normální.*
3. Spotřebič se automaticky vypne, pokud po zapnutí všechny indikátory pětkrát zablikají a uslyšíte pět pípnutí. V tu chvíli prosím kontaktujte oddělení poprodejního servisu.

POUŽÍVÁNÍ PARNÍ STANICE

Spotřebič má dva způsoby žehlení. Můžete použít suché žehlení nebo žehlení s párou, podrobnosti jsou uvedeny níže:

Suché žehlení

1. Postavte základnu jednotky na stabilní a rovný povrch a poté položte žehličku na tepelně izolační podstavec základny jednotky.
2. Připojte spotřebič ke zdroji napájení a stiskněte tlačítko napájení, rozsvítí se indikátor napájení.
3. Otočte ovladač teploty na požadované nastavení, které závisí na látce oděvu. Žehlička se začne zahřívát a během zahřívání bude trvale svítit indikátor teploty. Viz „RADY PRO

ŽEHLENÍ”.

4. Po dosažení zvolené teploty se ukazatel teploty vypne. Nyní můžete začít žehlit.

VAROVÁNÍ: Nikdy se nedotýkejte horké žehlicí plochy před ochlazením!

Parní žehlení

1. Postavte základnu jednotky na stabilní a rovný povrch.

Uchopte rukojeť nádržky na vodu, vyjměte nádržku na vodu a poté ji naplňte plnicím otvorem vodou. Raději použijte čišťenou vodu s menším množstvím vápenatých částic. Poté řádně vyměňte nádržku na vodu. Maximální kapacita nádržky na vodu je 1,7 l, hladina vody nesmí překročit značku MAX.

2. Položte žehličku na tepelně izolační podstavec základny jednotky.

3. Připojte spotřebič ke zdroji energie, stiskněte tlačítko napájení a začne blikat výchozí indikátor nízkého množství páry. A k dispozici jsou tři režimy včetně nízké, střední a vysoké rychlosti páry, můžete si vybrat požadovanou rychlost páry pro každý oděv podle svých požadavků. Ujistěte se, že je v nádrži dostatek vody.

4. Otočte ovladač teploty na požadované nastavení, které závisí na látce oděvu. Žehlička se začne zahřívat a během zahřívání bude trvale svítit indikátor teploty. Při volbě teploty se řiďte níže uvedenými informacemi v oddílech „RADY PRO ŽEHLENÍ“ a „DOPLŇKOVÁ TABULKA“.

5. Po několika minutách indikátor teploty zhasne, což znamená, že teplota žehlicí plochy dosáhla zvolené teploty. Když se indikátor zvolené rychlosti páry změní z blikajícího na rozsvícený, znamená to, že žehlička je připravena k žehlení oděvu párou.

Stiskněte spoušť páry malou silou, pára bude nepřetržitě stříkat z žehlicí plochy a poté můžete oděv žehlit párou.

7. Dvakrát rychle stiskněte spoušť páry, abyste vytvořili výstřik páry, pokud potřebujete odstranit tvrdý záhyb.

Poznámka: Když je teplota žehlicí plochy na druhém nastavení a níže, může během stříkání páry kapat voda. To je normální.

Pozor:

1) Před vychladnutím se nikdy nedotýkejte horké žehlicí plochy!

2) Nikdy nesměřujte páru na lidi!

3) Neaktivujte spoušť páry, když je žehlička umístěna na základně jednotky, aby nedošlo k opaření párou.

8. Po žehlení stiskněte tlačítko napájení na déle než 2 sekundy, spotřebič se vypne a všechny indikátory zhasnou. Vytáhněte zástrčku ze zásuvky. Ale žehlicí plocha je stále horká, nikdy se jí nedotýkejte rukou, položte ji na termoizolační stojan, dokud úplně nevychladne

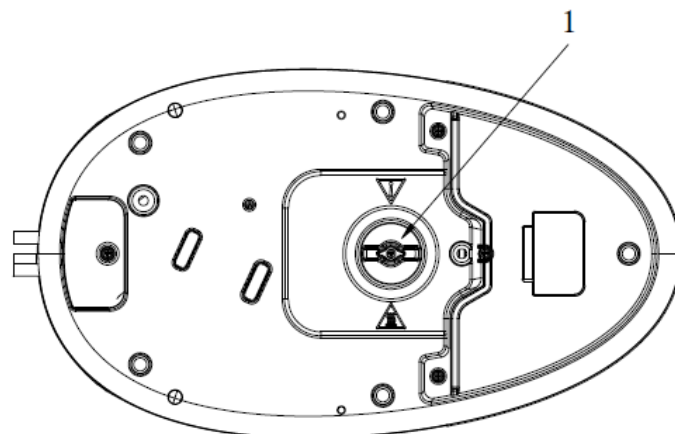
FUNKCE AUTO-CLEAN

Pokud se rozsvítí „Indikátor odvápnění“, znamená to, že parní generátor musí být vyčištěn z důvodu shromažďování minerálních usazenin. Když systém zajistí odstranění minerálních usazenin, „Indikátor odvápnění“ zhasne.

Před čištěním se ujistěte, že indikátor odvápnění trvale svítí, poté odpojte spotřebič a nechte jej vychladnout.

1. Vyjměte nádržku na vodu, postavte základnu jednotky nahoru a položte ji na rovný povrch, poté otočte knoflíkem na spodní straně základny jednotky proti směru hodinových ručiček, abyste ji vyjmuli.

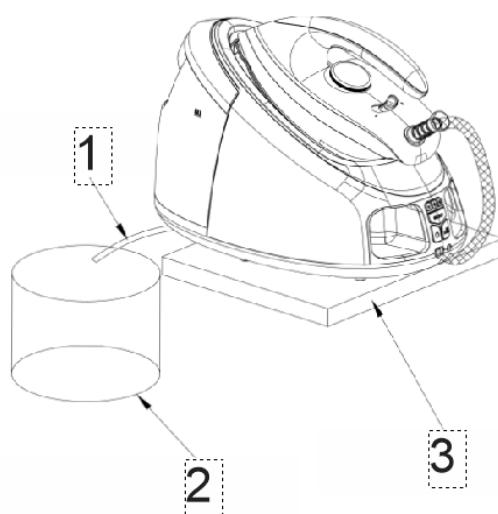
VAROVÁNÍ: Abyste předešli riziku opaření, ujistěte se, že je spotřebič úplně vychladlý, než sejmete knoflík, poloha 1 na obrázku níže.



2. Nainstalujte vypouštěcí konektor do odpadního potrubí.

3. Položte základnu jednotky na vhodný a pevný stůl, poté vložte silikonovou hadici do nádoby, poté naplňte nádržku na vodu vodou a vraťte ji zpět na místo (viz obr. 4). Ujistěte se, že je spotřebič umístěn stabilně.

Číslo	Popis
1	Silikonová trubice
2	Kontejner
3	Pevný stůl



Obr.4

4. Připojte spotřebič ke zdroji napájení, stiskněte tlačítko napájení, poté podržte a stiskněte současně tlačítka „Odvápnění“ a „Spouštěč páry“ po dobu asi 1 sekundy. V tu chvíli uslyšíte jedno pípnutí a indikátor odvápnění začne blikat. Spotřebič začne čistit vyvíječ páry a pára a vodní kámen vytékají z vyvíječe páry. Asi po 3 minutách se ozve jedno pípnutí, indikátor odvápnění zhasne a spotřebič se automaticky vypne.

POZNÁMKA: Během čištění se nedotýkejte nádoby ani se k ní nepřibližujte, abyste se neopařili.

5. Odpojte a vyjměte nádržku na vodu, poté položte žehličku na rovný povrch, poté postavte základnu jednotky nahoru a položte ji na rovný povrch a poté otočte knoflíkem ve směru hodinových ručiček, abyste jej utáhli a nainstalujte vypouštěcí konektor řádně na své místo.

Nakonec postavte základnu jednotky vzhůru nohama a položte žehličku na tepelně izolační podstavec základny jednotky.

ČIŠTĚNÍ A ÚDRŽBA Obr.8

Před čištěním nejprve odpojte síťovou zásuvku a nechte spotřebič vychladnout.

1. Zbytky a další usazeniny na žehlicí ploše otřete vlhkým hadříkem nebo neabrazivním (tekutým) čističem.

POZNÁMKA: K oškrábání žehlicí plochy nepoužívejte chemické, ocelové, dřevěné nebo abrazivní čisticí prostředky.

2. Očistěte horní část žehličky měkkým vlhkým hadříkem. Otřete kapky vody na základně jednotky a termoizolačním stojanu suchým hadříkem.

Když se rozsvítí kontrolka odvápnění, proveďte automatické čištění podle postupu popsaného v části „FUNKCE AUTOMATICKÉHO ČIŠTĚNÍ“.

4. Pokud spotřebič delší dobu nepoužíváte, vylijte vodu z nádržky, otočte voličem teploty na minimální nastavení a uložte žehličku na tepelně izolační podložku. Poté zatlačte zámek žehličky do uzamčené polohy, aby se žehlička uzamkla správně.

Poznámka: Celou parní stanici lze zvednout uchopením za rukojeť žehličky poté, co je žehlička řádně zajištěna na základně jednotky.

5. Když se parní přívodní hadice a napájecí kabel nepoužívají, lze je dobře složit a uložit do příslušných úložných boxů a poté umístit spotřebič na místo mimo dosah dětí.

RADY PRO ŽEHLENÍ

-Vždy nejprve zkontrolujte, zda je na výrobku připevněn štítek s pokyny pro žehlení. V každém případě dodržujte tyto pokyny pro žehlení.

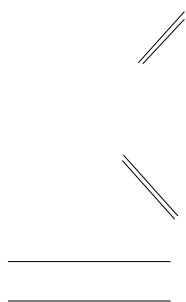
-Žehlička se rychleji zahřívá, než ochlazuje, proto byste měli začít žehlit předměty vyžadující nejnižší teplotu, jako jsou ty ze syntetických vláken.

-Pokud se látka skládá z různých druhů vláken, musíte vždy zvolit nejnižší teplotu žehlení, abyste vyžehlili složení těchto vláken.

- Textilie ze syntetických vláken a hedvábí by se měly žehlit na vnitřní straně, aby se neleskly.

- Samet a další textury, které se silně lesknou, by se měly vyžehlit v jednom směru lehkým tlakem. Vždy udržujte žehličku v pohybu.
- S napařovací žehličkou lze žehlit látky z čisté vlny (100 % vlna). Přednostně nastavte volič teploty do třetí polohy a jako podložku použijte suchý hadřík.
- Nikdy nežehlete přes zip, nýtky v látce. Poškodí se tím žehlicí plocha. Každý takovýto předmět obžehlete.

EKOLOGICKÁ LIKVIDACE



***Můžete přispět k ochraně životního prostředí!
Nezapomeňte prosím respektovat místní předpisy:
odevzdejte nefunkční elektrická zařízení do
příslušného střediska pro likvidaci odpadu***

FONTOS ÓVINTÉZKEDÉSEK

Az elektromos készülék használata előtt mindig be kell tartani bizonyos alapvető óvintézkedéseket, beleértve a következőket:

Olvassa végig a használati útmutatót.

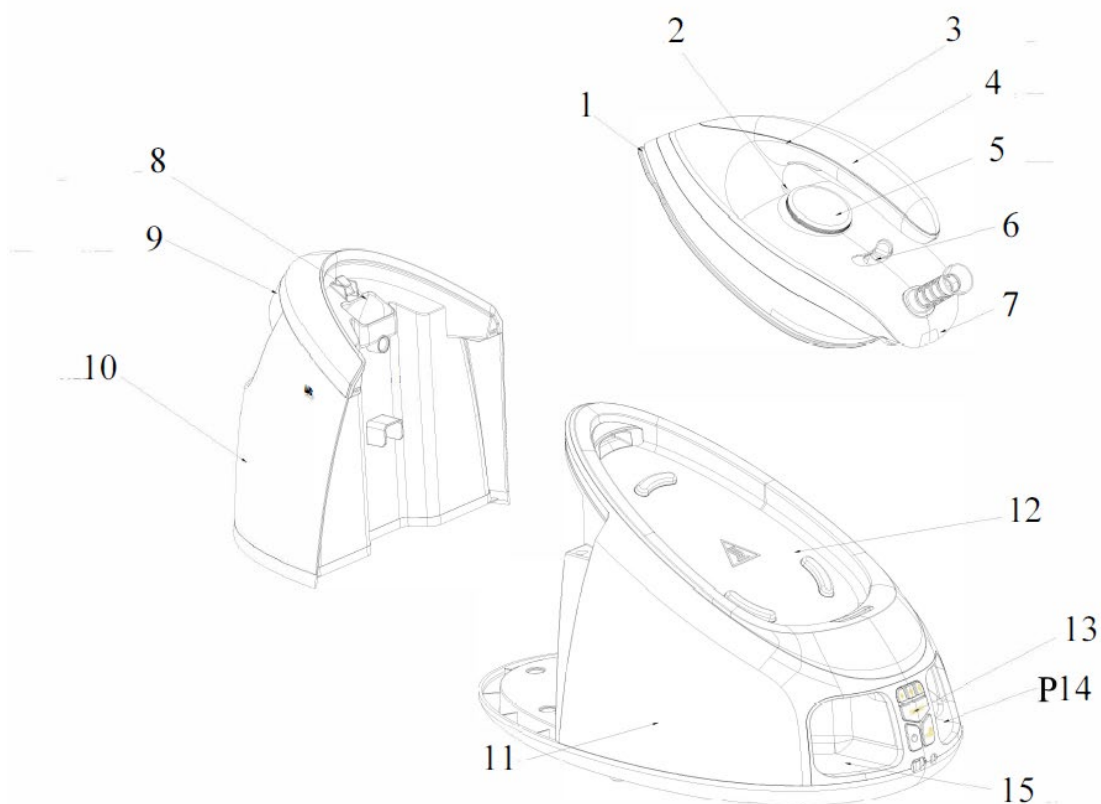
1. Használat előtt ellenőrizze, hogy a fali aljzat feszültsége megfelel-e az adattáblán feltüntetett feszültségnek.
2. Ne használja a készüléket, ha a tápkábelben, a villásdugón, a lámpán vagy magán a készüléken sérülések láthatók, vagy ha a készülék leesett vagy szivárog. Vigye el a legközelebbi hivatalos szervizbe vagy szakképzett szerelőhöz átvizsgálásra és javításra a veszélyek elkerülése érdekében.
3. Ha a tápkábel megsérült, azt a veszélyek elkerülése érdekében kizárólag a gyártó, annak márkaszervize vagy más, hasonlóan képzett személy cserélheti ki.
4. Ügyeljen rá, hogy a tápkábel ne érjen hozzá a vasaló forró talpához.
5. A forró fém részek, a forró víz vagy a gőz érintése égési sérüléseket okozhat.
6. Ügyeljen rá, hogy a tápkábel ne lógjon túl az asztal szélén vagy valamilyen forró felületen.
7. Az áramütés elkerülése érdekében soha ne merítse a vasalót vízbe vagy más folyadékba. Ha ez mégis megtörtént, ne használja tovább a készüléket és dobja ki.
8. Ne hagyja felügyelet nélkül a vasalót, amíg az elektromos hálózathoz van csatlakoztatva vagy a vasalódeszkán van.
9. A készüléket mindig stabil, vízszintes és egyenes felületre helyezze, illetve ilyenén használja.
10. A gyártó által nem javasolt tartozékok használata személyi sérülést vagy a készülék károsodását okozhatja.
11. Amikor a vasalót az állványra helyezi, ügyeljen arra, hogy a felület, amelyre az állvány kerül, stabil legyen.
12. A készülék alján található gombnak mindig jól elzárva kell lennie használat közben.
13. Soha ne töltsse fel a víztartály forró vízzel, illatosítóval, ecettel, keményítővel, vízkőoldóval, öblítővel vagy más vegyi anyaggal.
14. Húzza ki a készüléket a konnektorból, ha nem használja, mielőtt vizet töltene bele, vagy mielőtt tisztítani kezdené.
15. A készüléket kizárólag rendeltetésének megfelelően használja.

16. Ezt a készüléket akkor használhatják 8 évesnél idősebb gyerekek, valamint csökkent fizikális, érzékszervi vagy mentális képességekkel rendelkezők, illetve megfelelő tapasztalattal és tudással nem rendelkező személyek, ha felügyeletük biztosított, vagy ha útmutatást kaptak a készülék használatáról és megértették az azzal járó veszélyeket.
17. A gyerekek nem szabad, hogy játsszanak a készülékkel. A készülék tisztítását és felhasználói karbantartását nem végezhetik gyerekek felügyelet nélkül.
18. A vasalót nem szabad használni, ha leejtették, ha látható sérülések vannak rajta, vagy ha szivárog.
19. Tartsa távol a vasalót és a vezetékét a 8 évnél fiatalabb gyermekektől, amikor az feszültség alatt van vagy hűl.
20. Soha ne érintse meg a vasaló forró talpát, hacsak az nem hideg és nincs kihúzva a konnektorból.
21. Ne használja kültéren.
22. Őrizze meg ezt az útmutatót.

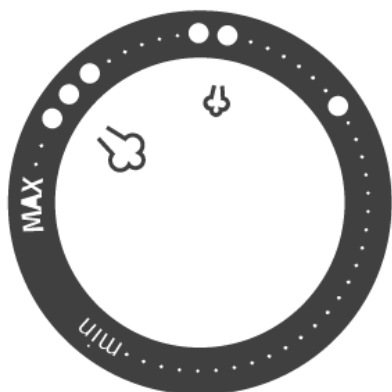
KIZÁRÓLAG HÁZTARTÁSBAN TÖRTÉNŐ HASZNÁLATRA

ISMERJE MEG GŐZÁLLOMÁSÁT

Szám	Leírás
1	Talp
2	Hőmérséklet jelző
3	Gőzkioldó gomb
4	Fogantyú
5	Hőmérséklet-szabályozó gomb
6	A vasaló rögzítése az állomáshoz
7	Vasaló
8	Töltőnyílás
9	Víztartály fogantyú
10	Víztartály
11	Készüléktest
12	Hőszigetelő állvány
13	Vezérlő panel
14	Tápkábel tároló
15	Gőztömlő tároló



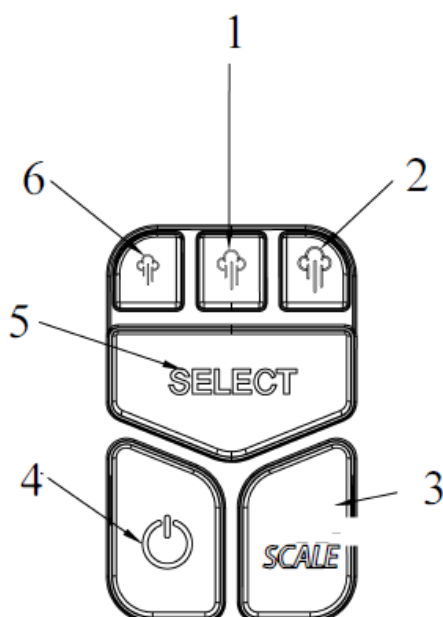
HŐMÉRSÉKLET-SZABÁLYOZÓ GOMB



●	Selyem 80<T<120
● ●	Gyapjú 115<T<160
● ● ●	Pamut 170<T<215
MAX	Maximum 175<T<225

VEZÉRLŐ PANEL

Szám	Leírás
1	Közepes gőz
2	Magas gőz
3	Vízkötelénítő gomb
4	Bekapcsológomb
5	Gőzmennyiség szabályozó
6	Alacsony gőz



Töltőnyílás

Töltse fel a víztartályt vízzel a víztartály töltőnyílásán keresztül. Ügyeljen arra, hogy a víz ne haladja meg a víztartály MAX jelzését.

Bekapcsológomb

Csatlakoztassa a készüléket és nyomja le a bekapcsológombot. A jelfény kigyullad, az alacsony gőz lesz az alapértelmezett beállítás és ennek a jelfénye villogni kezd. A készülék kikapcsolásához tartsa nyomva a bekapcsológombot legalább 2 másodpercig.

Gőzmennyiség szabályozó gomb

A gőzmennyiség szabályozó gombbal a gőz mennyisége alacsony, közepes vagy magas fokozatra állítható. A kiválasztott fokozat jelfénye villogni kezd és az előmelegítés után folyamatosan világít, ami azt jelenti, hogy a gőz használatra kész. A kiválasztott gőzfokozat jelfénye villog, ha a gőzfokozatot alacsonyról magasra állítjuk, és folyamatosan világít, ha a gőzfokozat beállítása magasról alacsony fokozatra változik.



Hőmérséklet gomb

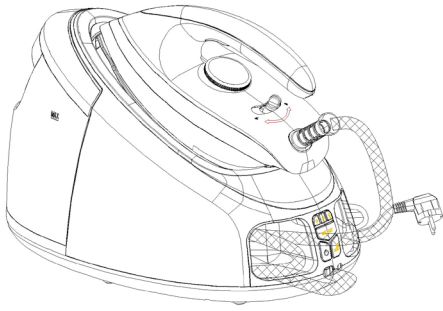
Forgassa el a gombot a vasalni kívánt ruháknak megfelelő hőmérséklet beállításához.

Hőmérséklet jelfény

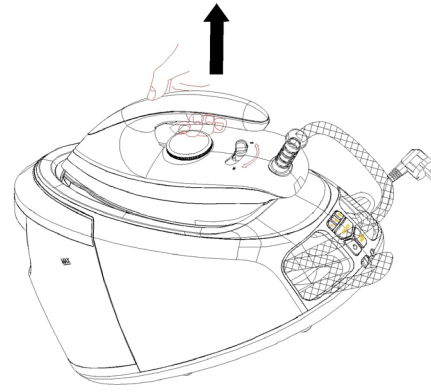
A készülék felmelegszik, ha nem érte el a kiválasztott hőmérsékletet. A hőmérséklet jelfény világít a készülék melegedése közben. Ha a készülék elérte a kiválasztott hőmérsékletet, a hőmérséklet jelfény kialszik. A hőmérséklet jelfény folyamatosan be- és kikapcsol, amikor a vasaló a vasalás során fenntartja a kiválasztott hőmérsékletet.

Vasaló rögzítő gomb

Helyezze a vasalót a készüléktesten található hőszigetelő állványra, majd tolja a vasaló rögzítő gombot “” pozícióba a készülék talphoz való rögzítéséhez. A rögzítés feloldásához tolja a rögzítő gombot “” pozícióba, ekkor leemelheti a vasalót a ruhák vasalásához (lásd az 1. ábrát). Az egész gőzállomás felemelhető, ha megfogja a vasaló fogantyúját, miután a vasaló megfelelően rögzítésre került a talphoz (lásd a 2. ábrát).



1. ábra



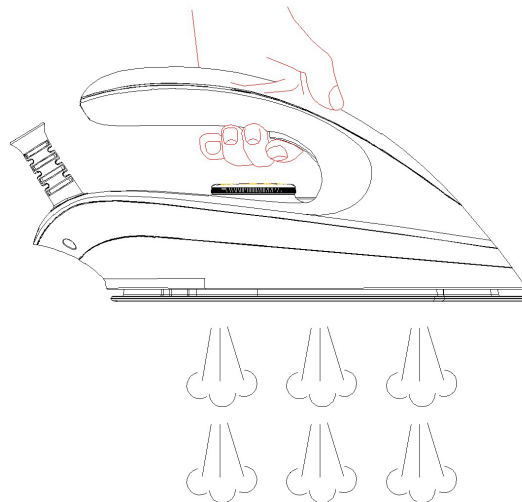
2. ábra

Gőzkioldó gomb

A bekapcsológomb lenyomása és a kívánt gőzmennyiség kiválasztása után a gőz akkor használható vasaláshoz, ha a gőzfokozat jelfénye villogásra folyamatos világításra vált. Ekkor kis erővel nyomja meg a gőzkioldó gombot és a gőz folyamatosan áramolni fog a vasaló aljából. Ha elengedi a gőzkioldó gombot, a készülék csak száraz, gőz nélküli vasalásra használható.

Gőzkiövellés

Gyorsan nyomja meg kétszer a gőzkioldót a gőzkiövelléshez, amely 6 percig tart (lásd a 3. ábrát). Ha működés közben le szeretné állítani a gőzképzést, csak meg kell nyomnia egyszer a gőzkioldó gombot vagy a kezelőpanel bármely gombját.



3. ábra

Vízkötelenség jelfény

Ha a vízkötelenség jelfény világít, az azt jelzi, hogy a gőzgenerátort meg kell tisztítani, mivel az ásványi lerakódások bizonyos fokig felgyülemlekednek. Amikor a rendszer biztosítja az ásványi lerakódások eltávolítását, a jelfény kialszik.

Tápkábel és gőztömlő tároló doboz

Ha nincs használatban, a gőztömlő és a tápkábel jól összehajtható és a számára kialakított tároló dobozban tárolható.

Automatikus kikapcsolás

A készülék automatikusan kikapcsol, ha 10 percen belül nem kerül aktiválásra a “Gőz” funkció, vagy a vezérlő panel valamelyik gombja.

ELSŐ HASZNÁLAT ELŐTT

1. Távolítsa el minden matricát vagy védőfóliát a vasaló talpáról.
2. Töltse fel a víztartályt vízzel és melegítse fel a vasalót a maximális hőmérsékletre, majd vasaljon néhány percig egy nedves ruhát, hogy eltávolítsa a vasaló talpáról a szennyeződéseket, a “Gőzvasalás” fejezetben leírtaknak megfelelően.

MEGJEGYZÉS:

- 1) *Természetes, ha az első használatkor furcsa szag jön ki a készülékből. Ez rövid idő múlva megszűnik.*
- 2) *A vasaló első használatakor bizonyos részecskék kerülhetnek ki a vasalótalpból. Ez természetes jelenség; a részecskék ártalmatlanok és egy idő után már nem jönnek ki a vasalóból.*
- 3) *A “Gőz” funkció aktiválásakor a készülék szivattyúzó hangot adhat. Ez természetes jelenség; a hang azt jelzi, hogy a víz gőzgenerátorba történő szivattyúzása folyamatban van.*
- 4) *A vasaló talpának melegítése közben automatikusan egy ki gőz fog kiáramlani a vasaló alján és ez a jelenség körülbelül 3 másodpercig fog tartani, ami természetes.*
- 5) *Az első használat után kevés kondenzvíz lesz a gőztömlőben. De a második használatkor a kondenzvíz kipermetezésre kerül a gőzzel együtt a gőzölés elején.*

Ez a jelenség több percig tart. Ez természetes.

3. A készülék automatikusan kikapcsol, ha az összes jelzőfény ötször felvillan, és öt sípolás hallható a bekapcsolás után. Ilyen esetben forduljon a vevőszolgálathoz.

A GŐZÁLLOMÁS HASZNÁLATA

A készülékkel kétféle módon lehet vasalni. Használhatja száraz vagy gőzvasalásra, amelyek részletei az alábbiakban olvashatók:

Száraz vasalás

1. Helyezze a készüléktestet stabil és vízszintes felületre, majd tegye a vasalót készüléktest hőszigetelő állványára.
2. Csatlakoztassa a készüléket az áramforráshoz, és nyomja meg a bekapcsológombot, ekkor a tápellátás jelfénye bekapcsol.
3. Forgassa el a hőmérséklet-szabályozó gombot a kívánt beállításra, a ruha anyagától függően. A vasaló melegedni kezd és a hőmérséklet-jelfény közben folyamatosan világít. Olvassa el a „**VASALÁSI TIPPEK**” részt.
4. Ha a kiválasztott hőmérséklet elérésre került, a hőmérséklet-jelfény kialszik. Ekkor megkezdhető a vasalás.

FIGYELMEZTETÉS: *Soha ne érintse meg a vasaló forró talpát, amíg az le nem hűlt!*

Gőzvasalás

1. Helyezze a készüléktestet stabil és vízszintes felületre.
2. Fogja meg a víztartály fogantyúját a víztartály eltávolításához, majd töltsse fel vízzel a töltőnyíláson keresztül. Jobb, ha tisztított vizet használ, kevesebb calcium-részecskével. Ezután helyezze vissza megfelelően a víztartályt. A víztartály maximális űrtartalma 1,7 l, a vízszint nem szabad, hogy túllépje a MAX jelzést.
2. Helyezze a vasalót a készüléktest hőszigetelő állványára.
3. Csatlakoztassa a készüléket az áramforráshoz, nyomja le a bekapcsológombot és az alapértelmezett alacsony gőzmennyiség jelfény villogni kezd. Három lehetséges fokozat áll rendelkezésre, az alacsony, a közepes és a magas gőzmennyiség, ezek közül választhat az

egyres ruhákhoz. Ügyeljen rá, hogy elegendő víz legyen a víztartályban.

4. Forgassa el a hőmérséklet-szabályozó gombot a kívánt beállításra, a ruha anyagától függően. A vasaló melegedni kezd és közben folyamatosan világít a melegedés jelfény. A hőmérséklet megválasztásakor olvassa el az alábbi **“VASALÁSI TIPPEK”** és **“KIEGÉSZÍTŐ TÁBLÁZAT”** részeket.

5. Néhány perc elteltével a hőmérséklet-jelfény kialszik, ami azt jelzi, hogy a vasaló talpja elérte a kiválasztott hőmérsékletet. Amikor a kiválasztott gőzfokozat jelfénye villogásról folyamatos világításra vált, a vasaló készen áll a ruhák gőzzel történő vasalására.

6. Ekkor kis erővel nyomja meg a gőzkioldó gombot és a gőz folyamatosan áramolni fog a vasaló aljából és gőzzel vasalhatja a ruhákat.

7. Ha makacs gyűrődést szeretne eltávolítani, nyomja meg gyorsan kétszer egymás után a gőzkioldót a gőzkioldó gombhoz.

Megjegyzés: Előfordulhat, hogy a gőz permetezése közben csöpög a víz, ha a talp hőmérséklete a második, van annál alacsonyabb beállításon van. Ez természetes jelenség.

Figyelem:

1) Soha ne érintse meg a vasaló forró talpát, ha az még nem hűlt le!

2) Soha ne irányítsa a gőzt emberekre!

3) Soha ne kapcsolja be a gőzkioldót, amikor a vasaló a készülékházon van, elkerülendő, hogy leforrassa magát a kiáramló gőzzel.

8. A vasalás végeztével tartsa lenyomva a bekapcsoló gombot 2 másodpercig. A készülék ekkor kikapcsol és minden jelfény kialszik. Húzza ki a villásdugót a fali aljzatból. Ilyenkor a vasaló talpa még forró, soha ne érintse meg, helyezze a vasalót a hőszigetelő állványra, amíg ki nem hűl teljesen.

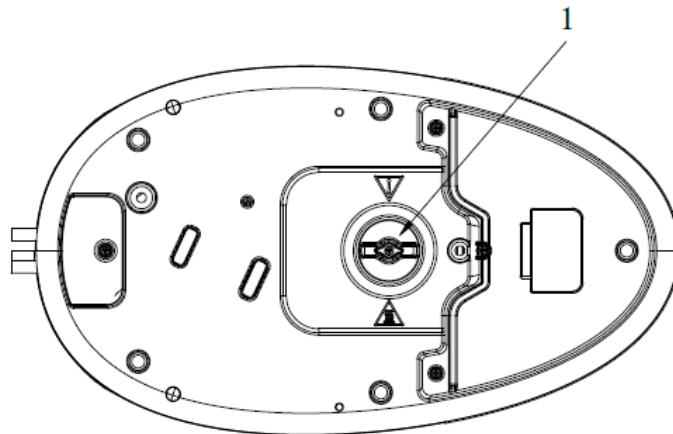
AUTOMATIKUS TISZTÍTÁS

Ha a “Vízkötelenség jelfény” kigyullad, az azt jelzi, hogy a gőzgenerátort meg kell tisztítani a bizonyos mértékben felgyülemlt ásványi lerakódásoktól. Ha a rendszer gondoskodott az ásványi lerakódások eltávolításáról, a “Vízkötelenség jelfény” kialszik.

A tisztítás megkezdése előtt győződjön meg róla, hogy a “Vízkötelenség jelfény” folyamatosan világít, majd húzza ki a készüléket az aljzatból és hagyja lehűlni.

1. Távolítsa el a víztartályt, hajtsa fel az egység alját és helyezze vízszintes felületre. Az óramutató járásával ellentétes irányba forgassa el az egység alján található gombot, hogy el tudja távolítani.

FIGYELMEZTETÉS: *A forrázás veszélyének elkerülése érdekében győződjön meg arról, hogy a készülék teljesen lehűlt, mielőtt eltávolítaná a gombot; az 1. pozíció az alábbi ábrán.*



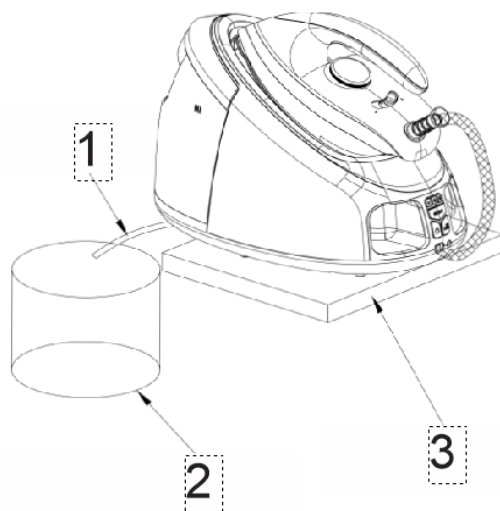
2. Illessze a lefolyó csatlakozóját a lefolyócsőbe.

3. Helyezze a készüléktestet egy megfelelő, rögzített asztalra, majd tegye a szilikon csövet egy edénybe. Töltse meg vízzel a víztartályt és helyezze vissza a helyére (lásd 4. ábra).

Ügyeljen arra, hogy a készülék stabilan legyen elhelyezve.

Szám	Leírás
1	Szilikon cső

2	Tartály
3	Rögzített asztal



4. ábra

4. Csatlakoztassa a készüléket az áramforráshoz, nyomja le a bekapcsológombot, tartsa benyomva és nyomja meg egyszerre a “Vízkötelenítés” és a “Gőzkioldás” gombokat körülbelül 1 másodpercre. Ekkor egy sípolás lesz hallható és a vízkömentesítés jelfénye villogni kezd. Ezután a készülék elkezd tisztítani a gőzgenerátort, és a gőz a vízkővel együtt kifolyik a gőzgenerátorból. Körülbelül 3 perccel később egy sípolás lesz hallható, a vízkötelenítés jelfénye kialszik és a készülék automatikusan kikapcsol.

MEGJEGYZÉS: A forrázás elkerülése érdekében tisztítás közben ne érintse meg a tartályt, és ne kerüljön a közelébe.

5. Húzza ki és távolítsa el a víztartályt, majd helyezze a vasalót sima felületre, ezt követően hajtsa fel a készülék alját és tegye egy sima felületre, majd forgassa el a gombot az óramutató járásával megegyező irányba, hogy meghúzza, és szerelje be a vízleeresztő csatlakozót. Végül hajtsa fel a készülékház alját, és tegye a vasalót a készülékház hőszigetelő állványára.

8. ábra

TISZTÍTÁS ÉS KARBANTARTÁS

A tisztítás megkezdése előtt először húzza ki a készüléket a konnektorból és hagyja kihűlni.

1. Nedves ruhával vagy nem karcoló (folyékony) tisztítószerrel törölje le a lerakódásokat a vasaló talpáról.

MEGJEGYZÉS: *Ne használjon vegyi, acél, fa vagy dörzsölő tisztítószereket a talp kaparásához.*

2. Puha, nedves ruhával tisztítsa meg a vasaló felső részét. Száraz ruhával törölje le a vízcseppeket az egység aljáról és a hőszigetelő állványról.

3. Hajtsa végre az automatikus tisztítást az **“AUTOMATIKUS TISZTÍTÁS FUNKCIÓ”** részben leírtak szerint, amikor a **“Vízkötelénítés”** jelfény világít.

4. Ha hosszabb ideig nem használja a készüléket, öntse ki a vizet a tartályból, forgassa a hőfokszabályzót a minimumra, és helyezze a vasalót a hőszigetelő állványra, majd állítsa a rögzítőgombot a zár állásba a vasaló rögzítéséhez.

Megjegyzés: *Az egész gőzállomás felemelhető, ha megfogja a vasaló fogantyúját, miután a vasaló megfelelően rögzítésre került a készüléktesthez.*

5. Ha nem használja a készüléket, a gőztömlő és a tápkábel jól tárolható a számukra kialakított dobozokban. Ezután helyezze a készüléket olyan helyre, ahol a gyerekek nem férhetnek hozzá.

VASALÁSI TIPPEK

-Először mindig ellenőrizze, hogy van-e a ruhán vasalási útmutatót tartalmazó címke. Minden esetben kövesse ezeket a vasalási utasításokat.

- A vasaló gyorsabban felmelegszik, mint ahogyan lehűl, ezért érdemes a legalacsonyabb hőmérsékletet igénylő, például szintetikus anyagból készült ruhákkal elkezdni a vasalást.

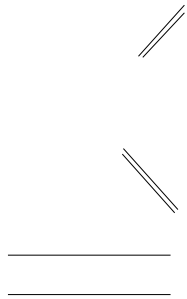
- Ha a szövet különböző típusú szálakból áll, mindig a legalacsonyabb vasalási hőmérsékletet kell kiválasztani vasaláshoz.

- A szintetikus és selyem ruhadarabokat kifordítva kell vasalni, elkerülendő a kifényesedést.

- A bársony és más, gyorsan fényessé váló anyagokat enyhe nyomással, egy irányban vasaljuk. Tartsa folyamatosan mozgásban a vasalót.

- A tiszta gyapjú anyagok (100% gyapjú) vasalhatók a gőzölős vasalóval. Lehetőleg állítsa a hőmérséklet-szabályozót a harmadik pozícióba, és egy száraz ruhán keresztül vasalja az anyagot.
- Soha ne vasalja a ruhákat cipzáraikon és szegecseken keresztül. Ez kárt tehet a vasaló talpában. Az ilyen tárgyakat vasalja körül.

KÖRNYEZETBARÁT ÁRTALMATLANÍTÁS



***Segíthet a környezet védelmében!
Ne felejtse el betartani a helyi előírásokat: a
működésképtelen elektromos berendezéseket adja
le egy megfelelő hulladékgyűjtő központban.***

WAŻNE ŚRODKI BEZPIECZEŃSTWA

Przed rozpoczęciem korzystania z urządzenia elektrycznego należy zawsze przestrzegać podstawowych środków ostrożności, w tym następujących:

Należy przeczytać całą instrukcję.

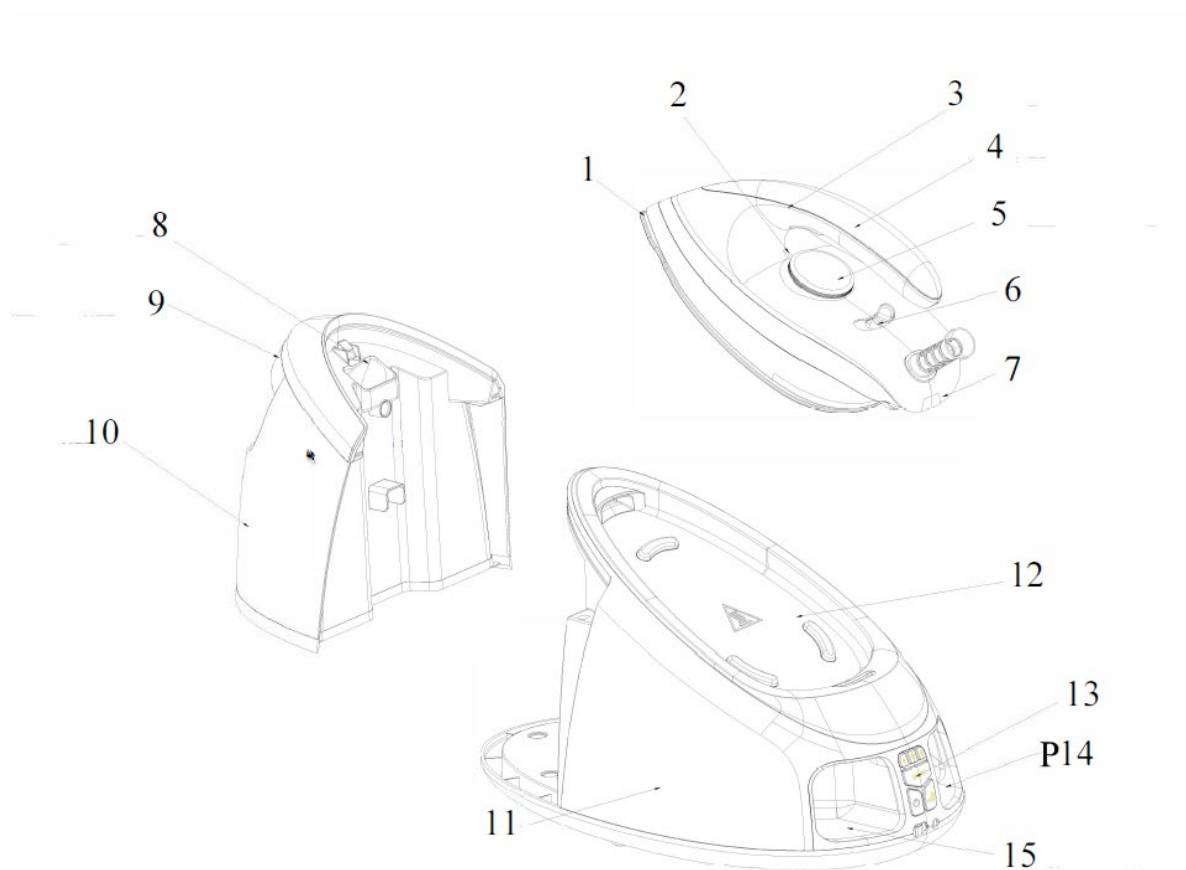
1. Przed użyciem należy sprawdzić, czy napięcie sieci elektrycznej odpowiada napięciu wskazanemu na tabliczce znamionowej urządzenia.
2. Nie należy używać urządzenia z uszkodzonym przewodem, wtyczką lub lampką bądź urządzenia, które zostało upuszczone i posiada widoczne oznaki uszkodzenia lub przecieka. Aby uniknąć niebezpieczeństwa, oddaj je do najbliższego autoryzowanego serwisu lub wykwalifikowanego serwisanta w celu sprawdzenia i naprawy.
3. Aby uniknąć zagrożenia, w przypadku uszkodzenia przewodu zasilającego, musi on zostać wymieniony przez producenta, jego przedstawiciela serwisowego lub osoby o podobnych kwalifikacjach.
4. Nie wolno dopuścić, aby przewód zetknął się z gorącą stopą żelazka.
5. Dotknięcie gorących metalowych części, gorącej wody lub pary może spowodować oparzenia.
6. Nie należy dopuścić, aby przewód zwisał nad krawędzią stołu lub gorącą powierzchnią.
7. Aby zapobiec porażeniu prądem elektrycznym, nie zanurzać żelazka w wodzie lub innych płynach. Jeśli tak się stało, nie używaj więcej tego urządzenia; zutylizuj je.
8. Nie pozostawiaj żelazka bez nadzoru, gdy jest podłączone lub na desce do prasowania.
9. Urządzenie należy zawsze umieszczać lub używać na stabilnej, równej i poziomej powierzchni.
10. Używanie akcesoriów nie zalecanych przez producenta może spowodować obrażenia ciała bądź uszkodzenie urządzenia.
11. Podczas umieszczania żelazka na podstawie dopilnować, aby powierzchnia, na której leży podstawa, była stabilna.
12. Pokrętło w dolnej części podstawy urządzenia musi być zawsze w pozycji zamkniętej zamknięte podczas użytkowania.
13. Nigdy nie napełniaj zbiornika na wodę gorącą wodą, perfumami, octem, krochmałem, odkamieniaczem, płynem do zmiękczenia tkanin lub innym odczynnikiem chemicznym.
14. Odłączać wtyczkę od gniazdka, gdy urządzenie nie jest używane, a także przed napełnieniem wodą lub czyszczeniem.

15. Nie używać urządzenia niezgodnie z jego przeznaczeniem.
16. Dzieci w wieku powyżej 8 lat oraz osoby o ograniczonej sprawności fizycznej, czuciowej lub umysłowej, jak również nie posiadające odpowiedniego doświadczenia i wiedzy, mogą korzystać z urządzenia tylko pod nadzorem lub po szkoleniu w zakresie bezpiecznego korzystania z urządzenia i uświadomieniu o potencjalnych zagrożeniach.
17. Dzieciom nie wolno bawić się z urządzeniem. Dzieci nie mogą czyścić i konserwować urządzenia bez nadzoru.
18. Żelazko nie może być używane, jeśli zostało upuszczone, ma widoczne ślady uszkodzenia lub przecieka.
19. Przechowywać żelazko i jego przewód zasilający poza zasięgiem dzieci poniżej 8 lat, gdy jest pod napięciem lub stygnie.
20. Nigdy nie dotykać gorącej stopy żelazka, dopóki nie ostygnie ono całkowicie i nie zostanie odłączone od zasilania.
21. Nie używać na zewnątrz.
22. Należy zachować tę instrukcję.

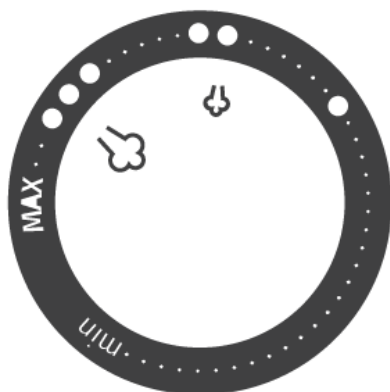
TYLKO DO UŻYTKU DOMOWEGO

POZNAJ SWOJĄ STACJĘ PAROWĄ

Numer	Opis
1	Stopa żelazka
2	Wskaźnik temperatury
3	Spust pary
4	Uchwyt
5	Pokrętło temperatury
6	Blokada żelazka w stacji
7	Żelazko
8	Otwór do napełniania
9	Uchwyt zbiornika wody
10	Zbiornik na wodę
11	Podstawa urządzenia
12	Stojak termoizolacyjny
13	Panel sterowania
14	Schówek na przewód zasilający
15	Schówek na przewód parowy



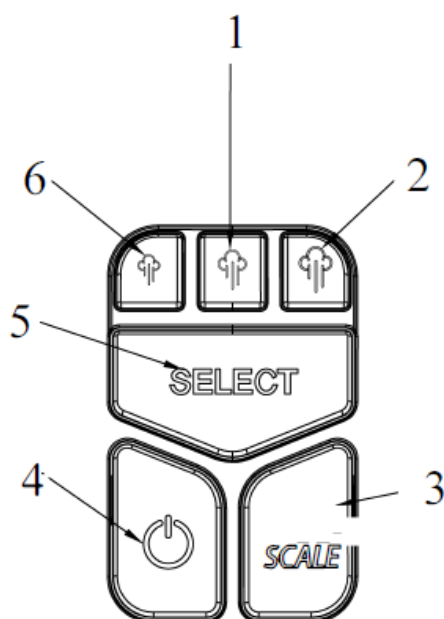
POKRĘTŁO TEMPERATURY



●	Jedwab 80<T<120
● ●	Wełna 115<T<160
● ● ●	Bawełna 170<T<215
MAX	Maksymalna 175<T<225

Panel sterowania

Numer	Opis
1	Średni poziom pary
2	Wysoki poziom pary
3	Przycisk odkamieniania
4	Przycisk zasilania
5	Kontrola ilości pary
6	Niski poziom pary



Otwór do napełniania

Napełnij zbiornik wody wodą przez otwór do napełniania zbiornika wody. Upewnij się, że ilość wody nie przekracza oznaczenia MAX zbiornika wody.

Przycisk zasilania

Podłącz urządzenie i naciśnij przycisk zasilania, wskaźnik zasilania zaświeci się, niska ilość pary zostanie uznana za domyślną, a jej wskaźnik będzie migać. Przytrzymanie i naciśnięcie przycisku zasilania przez ponad 2 sekundy spowoduje wyłączenie urządzenia.

Przycisk regulacji ilości pary

Za pomocą przycisku regulacji natężenia pary można wybrać niskie, średnie lub wysokie natężenie pary. Po wybraniu dowolnego z nich wskaźnik zacznie migać, a po zakończeniu podgrzewania zaświeci się stałym światłem, co oznacza, że para jest gotowa do użycia. Wskaźnik wybranego natężenia pary będzie migać, gdy natężenie pary zostanie przełączone z ustawienia niskiego na wysokie, a będzie świecić światłem stałym, gdy natężenie pary zostanie przełączone z ustawienia wysokiego na niskie.

Pokrętło temperatury

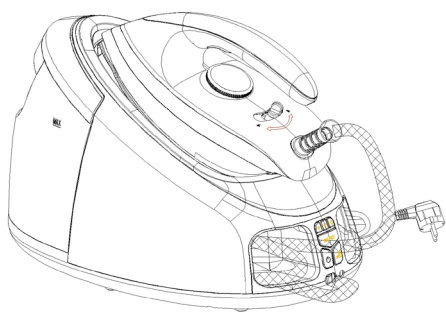
Obróć pokrętło, aby ustawić temperaturę prasowania w zależności od rodzaju prasowanej odzieży.

Wskaźnik temperatury

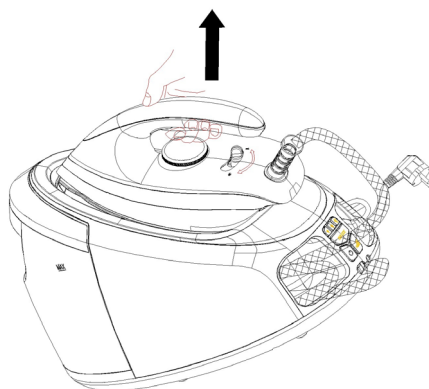
Urządzenie nagrzewa się, dopóki nie osiągnie wybranej temperatury. Wskaźnik temperatury zaświeci się, gdy urządzenie będzie się nagrzewać. Gdy urządzenie osiągnie wybraną temperaturę, wskaźnik temperatury zgaśnie. Wskaźnik temperatury będzie cyklicznie włączany i wyłączany, gdy żelazko będzie utrzymywać wybraną temperaturę podczas prasowania.

Blokada żelazka

Umieść żelazko na podstawce termoizolacyjnej podstawy urządzenia, a następnie przesunąć blokadę żelazka do pozycji "🔒", aby zablokować żelazko na podstawie urządzenia. Aby odblokować, przesunąć blokadę żelazka do pozycji "🔓", a następnie zdejmij żelazko, aby wyprasować ubrania (patrz Rys. 1). Całą stację parową można podnieść, chwytając za uchwyt żelazka po prawidłowym zablokowaniu żelazka na podstawie urządzenia (patrz Rys. 2).



Rys. 1



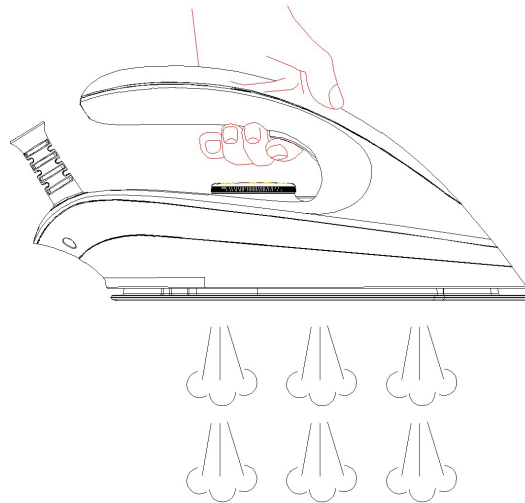
Rys. 2

Spust pary

Po naciśnięciu przycisku zasilania i wybraniużądanego natężenia pary, gdy wskaźnik natężenia pary zmieni się z migającego na świecący światłem ciągłym, zostanie zasygnalizowana możliwość użycia pary do prasowania. W tym momencie należy z niewielką siłą nacisnąć spust pary, a para będzie w sposób ciągły wytryskiwać ze stopy żelazka. Po poluzowaniu spustu pary urządzenie może być używane wyłącznie do prasowania na sucho bez użycia pary.

Wyrzut pary

Dwukrotne szybkie naciśnięcie spustu pary spowoduje wyrzut pary przez 6 minut (patrz Rys. 3). Aby zatrzymać wytwarzanie pary podczas pracy urządzenia, wystarczy tylko raz nacisnąć spust pary lub dowolny przycisk na panelu sterowania.



Rys. 3

Wskaźnik odkamieniania

Jeśli zaświeci się wskaźnik odkamieniania, oznacza to, że generator pary powinien zostać wyczyszczony z powodu gromadzenia się osadów mineralnych. Gdy system upewni się, że osady mineralne zostały usunięte, wskaźnik zgaśnie.

Schówek na przewód zasilający i wąż doprowadzający parę

Gdy nie są używane, wąż doprowadzający parę i przewód zasilający można zwinąć i przechowywać w odpowiednich schowkach.

Automatyczne wyłączenie

Urządzenie wyłączy się automatycznie, jeśli w ciągu 10 minut nie zostanie włączona funkcja pary lub nie zostaną aktywowane przyciski sterowania na panelu sterowania.

Przed pierwszym użyciem

1. Usuń naklejki lub folię ochronną ze stopy żelazka.
2. Napełnij zbiornik wody wodą i rozgrzej żelazko do maksymalnej temperatury, a następnie prasuj przez kilka minut na kawałku wilgotnej szmatki w celu usunięcia wszelkich pozostałości na stopie zgodnie z sekcją "Prasowanie parowe".

UWAGA:

- 1) *To normalne, że przy pierwszym użyciu z urządzenia wydobywa się dziwny zapach.*

Ustąpi on po krótkim czasie.

2) *Podczas pierwszego użycia żelazka ze stopy żelazka mogą wydostawać się cząsteczki. Jest to normalne zjawisko; cząsteczki są nieszkodliwe i po krótkim czasie przestaną wydobywać się z żelazka.*

3) *Po włączeniu funkcji "Para" urządzenie może wydawać dźwięk pompowania. Jest to normalne; dźwięk ten oznacza, że woda jest pompowana do generatora pary.*

4) *Podczas procesu nagrzewania stopy żelazka ze stopy automatycznie będzie wydobywać się niewielka ilość pary, a zjawisko to będzie trwać przez około 3 sekundy. Jest to normalne zjawisko.*

5) *Po pierwszym użyciu w wężu doprowadzającym parę skrapla się niewielka ilość wody.*

Jednak przy drugim użyciu woda kondensacyjna zostanie rozpylona wraz z parą na początku uwalniania pary.

Zjawisko to będzie trwać przez kilka sekund.

Jest to normalne zjawisko.

3. Urządzenie wyłączy się automatycznie, jeśli po włączeniu zasilania wszystkie wskaźniki migną pięć razy i rozlegnie się pięć sygnałów dźwiękowych.

KORZYSTANIE ZE STACJI PAROWEJ

Urządzenie posiada dwa sposoby prasowania. Można prasować na sucho lub z użyciem pary, szczegóły podano poniżej:

Prasowanie na sucho

1. Umieść podstawę urządzenia na stabilnej i równej powierzchni, a następnie umieść żelazko na stojaku termoizolacyjnym podstawy urządzenia.
2. Podłącz urządzenie do źródła zasilania i naciśnij przycisk zasilania, wskaźnik zasilania włączy się.
3. Obróć pokrętko temperatury dożądanego ustawienia, które zależy od materiału odzieży. Żelazko zacznie się nagrzewać, a wskaźnik temperatury będzie świecić stałym światłem podczas nagrzewania. Patrz "WSKAZÓWKI DOTYCZĄCE PRASOWANIA".
4. Wskaźnik temperatury zgaśnie po osiągnięciu wybranej temperatury. Można teraz

rozpocząć prasowanie.

OSTRZEŻENIE: Nigdy nie dotykaj gorącej stopy żelazka przed jej ostygnięciem!

Prasowanie parowe

1. Umieść podstawę urządzenia na stabilnej i równej powierzchni.
2. Chwyć uchwyt zbiornika na wodę, aby go wyjąć, a następnie napełnij go wodą przez otwór do napełniania.

Poleca się używać oczyszczonej wody z mniejszą ilością cząsteczek wapnia. Następnie należy prawidłowo ponownie nałożyć zbiornik na wodę. Maksymalna pojemność zbiornika na wodę wynosi 1,7 l, poziom wody nie powinien przekraczać oznaczenia MAX.

2. Umieść żelazko na stojaku termoizolacyjnym podstawy urządzenia.
3. Podłącz urządzenie do źródła zasilania, naciśnij przycisk zasilania, a domyślny wskaźnik niskiego poziomu natężenia pary zacznie migać. Dostępne są trzy tryby, w tym niski, średni i wysoki poziom natężenia pary, można wybrać żądany poziom pary dla każdego ubrania zgodnie z wymaganiami. Upewnij się, że w zbiorniku jest wystarczająca ilość wody.
4. Obróć pokrętkę temperatury do żądanego ustawienia, które zależy od materiału odzieży. Żelazko zacznie się nagrzewać, a wskaźnik temperatury będzie świecić stałym światłem podczas nagrzewania. Patrz "**WSKAZÓWKI DOTYCZĄCE PRASOWANIA**" i "**DODATKOWA TABELA**" poniżej, aby wybrać temperaturę.
5. Po kilku minutach wskaźnik temperatury zgaśnie, co oznacza, że stopa żelazka osiągnęła wybraną temperaturę.

Gdy wskaźnik wybranego natężenia pary zmieni się z migającego na świecący, oznacza to, że żelazko jest gotowe do prasowania odzieży z użyciem pary.

6. Po naciśnięciu spustu pary z niewielką siłą, ze stopy żelazka w sposób ciągły zacznie wydobywać się para. Następnie można prasować ubrania z użyciem pary.
7. Jeśli chcesz usunąć trudne zagniecenia, szybko naciśnij spust pary dwukrotnie, aby wytworzyć wyrzut pary.

Uwaga: Podczas rozpylania pary może kapać woda, gdy temperatura stopy żelazka jest niższa niż drugie ustawienie. Jest to normalne zjawisko.

Ostrożnie:

1) Nigdy nie dotykaj gorącej stopy żelazka przed jej ostygnięciem!

2) Nigdy nie kieruj strumienia pary na ludzi!

3) Aby uniknąć poparzenia parą, nie uruchamiaj spustu pary, gdy żelazko jest umieszczone na podstawie urządzenia.

8. Po zakończeniu prasowania naciśnij przycisk zasilania przez ponad 2 sekundy, urządzenie wyłączy się, a wszystkie wskaźniki zgasną.

Wyjmij wtyczkę z gniazdka ściennego. Jeśli stopa żelazka jest nadal gorąca, nigdy nie dotykaj jej ręką, umieść ją na podstawce termoizolacyjnej, aż całkowicie ostygnie.

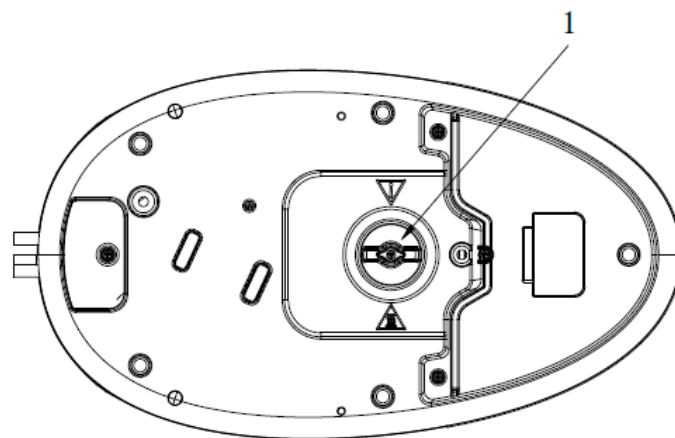
FUNKCJA AUTOMATYCZNEGO CZYSZCZENIA

Jeśli zaświeci się wskaźnik odkamieniania, oznacza to, że generator pary powinien zostać wyczyszczony z powodu gromadzenia się osadów mineralnych. Gdy system upewni się, że osady mineralne zostały usunięte, wskaźnik odkamieniania zgaśnie.

Przed przystąpieniem do czyszczenia należy upewnić się, że wskaźnik odkamieniania świeci się światłem ciągłym. Następnie odłącz urządzenie od zasilania i pozostaw je do ostygnięcia.

1. Wyjmij zbiornik na wodę, podnieś podstawę urządzenia i umieść ją na płaskiej powierzchni, a następnie obróć pokrętło na spodzie podstawy urządzenia w kierunku przeciwnym do ruchu wskazówek zegara, aby je wyjąć.

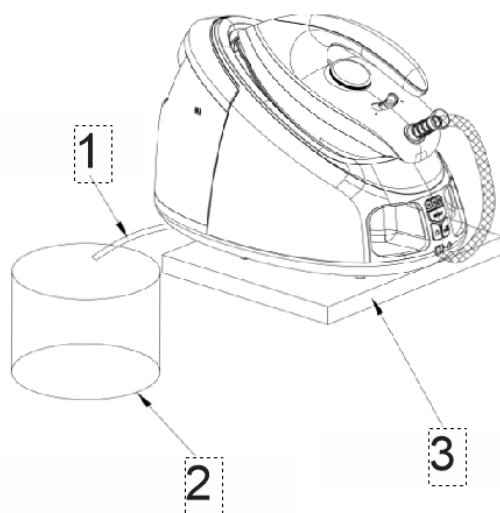
OSTRZEŻENIE: Aby uniknąć ryzyka poparzenia, przed zdjęciem pokrętła (pozycja 1 na rysunku poniżej) należy upewnić się, że urządzenie całkowicie ostygło.



2. Zamontuj złącze spustowe w rurze spustowej.

3. Umieść podstawę urządzenia na odpowiednim i stabilnym stole, a następnie włóż silikonową rurkę do pojemnika, po czym napełnij zbiornik na wodę wodą i umieść go z powrotem na miejscu (patrz Rys. 4). Upewnij się, że urządzenie jest ustawione stabilnie.

Numer	Opis
1	Rurka silikonowa
2	Pojemnik
3	Stabilny stół



Rys.
4

4. Podłącz urządzenie do źródła zasilania, naciśnij przycisk zasilania, a następnie przytrzymaj i naciśnij jednocześnie "Przycisk odkamieniania" i "Spust pary" przez około 1 sekundę. Po tym czasie słychać jeden sygnał dźwiękowy, a wskaźnik odkamieniania zaczyna migać. Następnie urządzenie zaczyna czyścić generator pary, a para i kamień wypływają z generatora pary. Około 3 minuty później słychać jeden sygnał dźwiękowy, wskaźnik odkamieniania gaśnie, a urządzenie wyłącza się automatycznie.

UWAGA: Nie dotykaj ani nie zbliżaj się do pojemnika podczas czyszczenia, aby uniknąć poparzenia.

5. Odłącz i wyjmij zbiornik na wodę, a następnie umieść żelazko na płaskiej powierzchni, po czym podnieś podstawę urządzenia i umieść ją na płaskiej powierzchni. Następnie obróć pokrętko zgodnie z ruchem wskazówek zegara, aby je dokręcić i zainstaluj złącze spustowe w odpowiedniej pozycji. Na koniec podnieś podstawę urządzenia i umieść żelazko na stojaku termoizolacyjnym podstawy urządzenia.

Czyszczenie i konserwacja

Przed przystąpieniem do czyszczenia należy najpierw odłączyć zasilanie i odczekać, aż urządzenie ostygnie.

1. Wytrzyj pozostałości i wszelkie inne osady na stopie żelazka wilgotną szmatką lub nieściernym (płynnym) środkiem czyszczącym.

UWAGA: Nie używaj chemicznych, stalowych, drewnianych lub ściernych środków czyszczących do skrobania stopy żelazka.

2. Wyczyść górną część żelazka miękką, wilgotną ściereczką. Wytrzyj krople wody na podstawie urządzenia i stojaku termoizolacyjnym suchą szmatką.

3. Wykonaj automatyczne czyszczenie, wykonując czynności opisane w sekcji "**FUNKCJA AUTO-CZYSZCZENIA**", gdy zaświeci się "Wskaźnik odkamieniania".

4. Jeśli urządzenie nie będzie używane przez dłuższy czas, należy wylać wodę ze zbiornika, obrócić pokrętko temperatury na ustawienie minimalne i odstawić żelazko na podkładkę termoizolacyjną, a następnie przesunąć blokadę żelazka do pozycji blokady, aby dobrze zablokować żelazko.

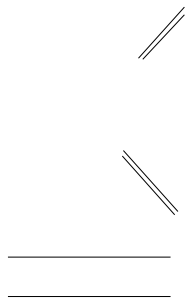
Uwaga: Całą stację parową można podnieść, chwytając za uchwyt żelazka po prawidłowym zablokowaniu żelazka na podstawie urządzenia.

5. Gdy urządzenie nie jest używane, wąż doprowadzający parę i przewód zasilający można złożyć i schować do odpowiednich pojemników, a następnie umieścić w miejscu niedostępnym dla dzieci.

WSKAZÓWKI DOTYCZĄCE PRASOWANIA

- Zawsze najpierw sprawdź, czy do artykułu dołączona jest etykieta z instrukcją prasowania. W każdym przypadku należy postępować zgodnie z poniższymi instrukcjami prasowania.
- Żelazko nagrzewa się szybciej niż stygnie, dlatego prasowanie należy rozpocząć od artykułów wymagających najniższej temperatury, takich jak te wykonane z włókien syntetycznych.
- Jeśli tkanina składa się z różnych rodzajów włókien, do ich prasowania należy zawsze wybierać najniższą temperaturę.
- Tkaniny z włókien syntetycznych i jedwabiu należy prasować po ich wewnętrznej stronie, aby uniknąć ich wyświecenia.
- Aksamit i inne tkaniny, które szybko stają się wyświecone, należy prasować w jednym kierunku z lekkim naciskiem. Żelazko powinno być zawsze w ruchu.
- Tkaniny z czystej wełny (100% wełny) można prasować żelazkiem z użyciem pary. Najlepiej ustawić pokrętko temperatury na trzecią pozycję i użyć suchej szmatki jako maty.
- Nigdy nie prasuj po zamku błyskawicznym lub nitach w tkaninie. Spowoduje to uszkodzenie stopy żelazka. Należy prasować wokół takich przedmiotów.

UTYLIZACJA PRZYJAZNA DLA ŚRODOWISKA



***Możesz pomóc chronić środowisko!
Pamiętaj, aby przestrzegać lokalnych przepisów:
oddaj nie działające urządzenia elektryczne do
odpowiedniego centrum utylizacji odpadów.***

DÔLEŽITÉ BEZPEČNOSTNÉ UPOZORNENIA

Pred použitím elektrického spotrebiča by ste mali vždy dodržiavať nasledujúce základné opatrenia:

Prečítajte si všetky pokyny.

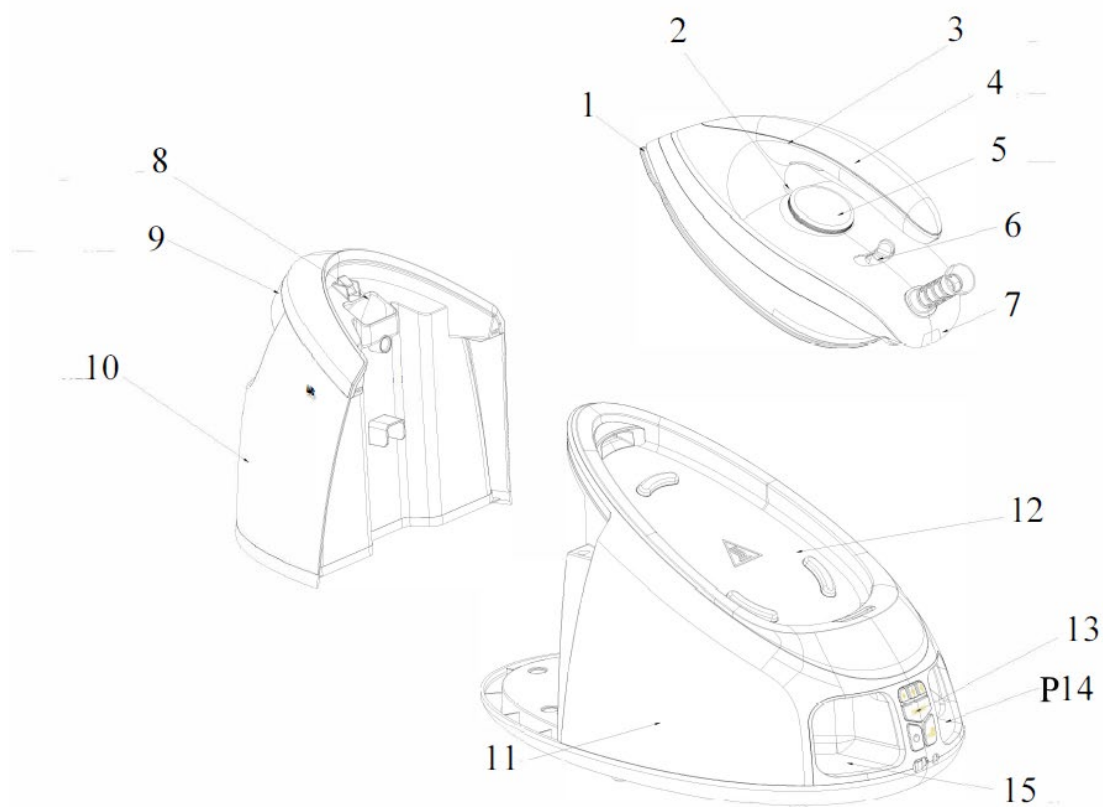
1. Pred použitím výrobku sa uistite, že napätie v zásuvke zodpovedá údajom uvedeným na typovom štítku vášho spotrebiča.
2. Spotrebič nepoužívajte, ak hlavný kábel, zástrčka, svetlo alebo samotný spotrebič vykazuje viditeľné poškodenie, spotrebič spadol alebo presakuje. Odneste ho do najbližšieho autorizovaného servisného strediska alebo kvalifikovanému servisnému technikovi na kontrolu a opravu, aby sa predišlo nebezpečenstvu.
3. Ak je napájací kábel poškodený, musí ho vymeniť výrobca, zákaznícky servis výrobcu alebo kvalifikovaný technik, aby sa zabránilo nebezpečenstvu.
4. Nedovoľte, aby sa kábel dostal do kontaktu so žehliacou plochou, keď je horúca.
5. Aby nedošlo k popáleniu, vyhnite sa kontaktu s horúcimi časťami žehličky, s horúcou vodou či parou.
6. Nenechávajte napájací kábel visieť nad okrajom stola alebo horúcim povrchom.
7. Neponárajte žehličku do vody ani iných tekutín, aby ste zabránili úrazu elektrickým prúdom. Ak k tomu dôjde, tento spotrebič už nepoužívajte; spotrebič zlikvidujte.
8. Nenechávajte žehličku bez dozoru, ak je pripojená k zdroju napájania alebo na žehliacej doske.
9. Spotrebič vždy umiestnite alebo používajte na stabilnom, hladkom a vodorovnom povrchu.
10. Použitie príslušenstva, ktoré neodporúča výrobca, môže spôsobiť zranenie osôb alebo poškodenie spotrebiča.
11. Pri ukladaní žehličky na jej stojan sa uistite, že povrch, na ktorom je stojan umiestnený, je stabilný.
12. Gombík na spodnej strane základne jednotky musí byť počas používania vždy dobre uzatvorený.
13. Nikdy neplňte nádržku na vodu horúcou vodou, vôňou, octom, škrobom, odstraňovačom vodného kameňa, avivážou alebo iným chemickým činidlom.
14. Ak spotrebič nepoužívate, pred naplnením vody a čistením vždy ho odpojte zo sieťovej zásuvky.
15. Nepoužívajte zariadenie na žiadny iný ako na určený účel.

16. Deti vo veku osem rokov a viac, ako aj osoby so zníženými fyzickými, zmyslovými a duševnými schopnosťami alebo s nedostatkom vedomostí a skúseností môžu používať tento prístroj pod primeraným dohľadom alebo ak dostali príslušné pokyny týkajúce sa bezpečného používania prístroja a ak chápu riziká spojené s jeho používaním.
17. Deti by sa nemali hrať so spotrebičom. Čistenie a údržbu nesmú vykonávať deti bez dozoru.
18. Žehlička sa nesmie používať, ak spadla, sú na nej viditeľné známky poškodenia alebo ak presakuje.
19. Žehličku a jej kábel uchovávajte mimo dosahu detí mladších ako 8 rokov, keď je pod napätím alebo sa ochladzuje.
20. Nikdy sa nedotýkajte horúcej žehliacej plochy, kým nie je žehlička úplne vychladnutá a odpojená od zásuvky.
21. Nepoužívajte ho vonku.
22. Tieto pokyny uschovajte.

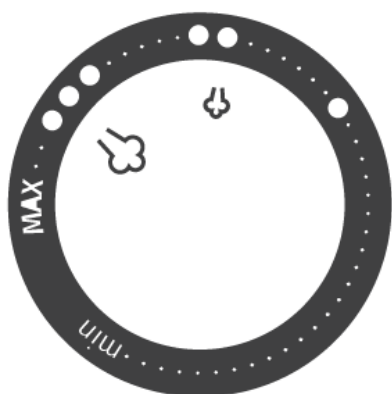
IBA NA DOMÁCE POUŽITIE

SPOZNAJTE SVOJU PARNÚ STANICU

Číslo	Popis
1	Žehliaca doska
2	Ukazovateľ teploty
3	Parná spúšť
4	Rukoväť
5	Gombík teploty
6	Zámka na uzamknutie žehličky na stanici
7	Žehlička
8	Plniaci otvor
9	Rukoväť nádrže na vodu
10	Nádrž na vodu
11	Základňa jednotky
12	Stojan na tepelnú izoláciu
13	Ovládací panel
14	Úložný priestor na napájací kábel
15	Skladovanie parného kábla



VOLIČ TEPLoty

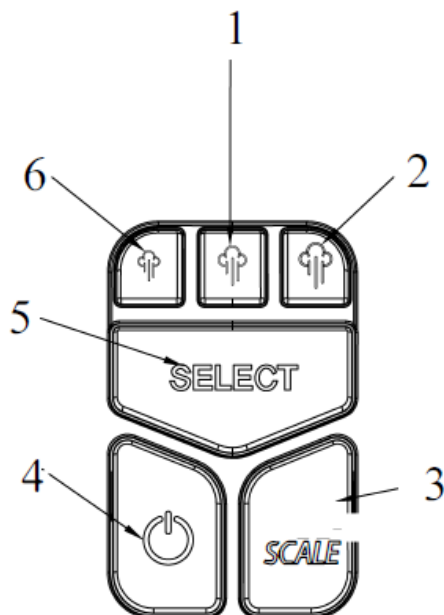


●	Hodváb $80 < T < 120$
● ●	Vlna $115 < T < 160$
● ● ●	Bavlna $170 < T < 215$
MAX	Maximum $175 < T < 225$

OVLÁDACÍ PANEL

Číslo	Popis
1	Stredné množstvo pary
2	Vysoké množstvo pary
3	Tlačidlo na odstránenie vodného kameňa

4	Tlačidlo zapnutia
5	Ovládanie množstva pary
6	Nízke množstvo pary



Plniaci otvor

Naplňte nádržku na vodu vodou cez plniaci otvor nádržky na vodu. Uistite sa, že voda nepresahuje značku MAX na nádrži na vodu.

Tlačidlo zapnutia

Zapojte spotrebič a stlačte tlačidlo napájania, indikátor napájania sa rozsvieti, nízky výkon pary sa považuje za východiskový a jeho indikátor bude blikať. Podržte a stlačte tlačidlo napájania dlhšie než 2 sekundy, spotrebič sa vypne.

Tlačidlo ovládania množstva pary

Množstvo pary je možné zvoliť nízke, stredné alebo vysoké pomocou tlačidla ovládania množstva pary. Pri každom nastavení, ktoré chcete vybrať, bude blikať jeho indikátor a po dokončení predhriatia bude trvalo svietiť, čo znamená, že para je pripravená na použitie.

Indikátor zvolenej rýchlosti pary bude blikať, keď je rýchlosť pary prepnutá z nízkeho na vysoké nastavenie, zatiaľ čo bude trvalo svietiť pri prepnutí rýchlosti pary z vysokého na nízke nastavenie.



Číselník teploty

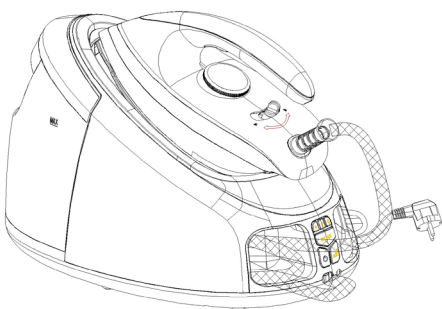
Otáčaním ovládača nastavte teplotu žehlenia podľa odevu, ktorý je potrebné žehliť.

Ukazovateľ teploty

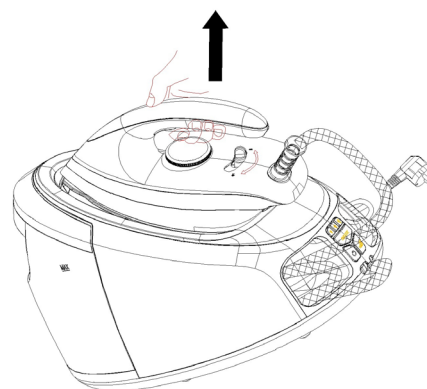
Spotrebič sa zahreje, keď nedosiahne zvolenú teplotu. Indikátor teploty sa rozsvieti, keď sa spotrebič zahrieva. Hneď ako spotrebič dosiahne zvolenú teplotu, indikátor teploty zhasne. Indikátor teploty sa bude cyklicky zapínať a vypínať, pretože žehlička počas žehlenia udržiava zvolenú teplotu.

Zámka žehličky

Položte žehličku na tepelno-izolačný podstavec základne jednotky, potom zatlačte zámku žehličky do polohy „“, aby ste zablokovali žehličku na základni jednotky. Ak chcete odomknúť, zatlačte zámku žehličky do polohy „“, potom môžete žehličku vybrať a vyžehliť oblečenie (pozrite obr. 1). Celú parnú stanicu je možné zdvihnúť uchopením za rukoväť žehličky po tom, čo bola žehlička riadne zaistená na základni jednotky (pozrite obr. 2).



Obr. 1



Obr. 2

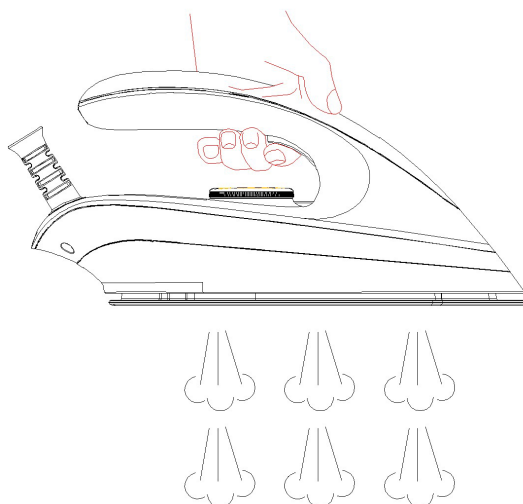
Spúšť pary

Po stlačení tlačidla napájania a výbere požadovanej rýchlosti pary sa môže para použiť na žehlenie, keď indikátor rýchlosti pary prejde z blikania na neprerušované svietenie. V tom

okamihu stlačte páčku pary malou silou, para bude nepretržite vystrekovať zo žehliacej plochy. Keď uvoľníte spúšť pary, môžete spotrebič používať iba na suché žehlenie bez pary.

Výstrek pary

Dvakrát rýchlo stlačte spúšť pary, aby sa vytvoril výstrek pary, ktorý bude trvať 6 minút (pozrite obr. 3). Ak chcete počas prevádzky ukončiť produkciu pary, stačí stlačiť spúšť pary alebo akékoľvek tlačidlo na ovládacom paneli iba raz.



Obr. 3

Indikátor odvápnenia

Ak sa indikátor odvápnenia rozsvieti, znamená to, že parný generátor sa musí vyčistiť pre hromadenie minerálnych usadenín. Keď systém zaistí odstránenie minerálnych usadenín, indikátor zhasne.

Úložný box pre napájací kábel a úložný box pre prírodnú hadicu pary

Keď sa prírodná hadica pary a napájací kábel nepoužívajú, je možné ich zložiť a uložiť do príslušných úložných boxov.

Automatické vypnutie

Spotrebič sa automaticky vypne, ak neaktivujete funkciu „Para“ alebo neaktivujete ovládacie tlačidlá na ovládacom paneli do 10 minút.

PRED PRVÝM POUŽITÍM

1. Odstráňte zo žehliacej plochy všetky nálepky alebo ochrannú fóliu.
2. Naplňte nádržku na vodu vodou a zahrejte žehličku na maximálnu teplotu a potom niekoľko minút žehlite cez kus vlhkej handričky, aby ste odstránili všetky zvyšky na žehliacej ploche podľa časti „Žehlenie s parou“.

POZNÁMKA:

- 1) *Je normálne, že pri prvom použití vychádza z jednotky zvláštny zápach. To po krátkej chvíli prestane.*
 - 2) *Pri prvom použití žehličky môžu zo žehliacej plochy vypadnúť nejaké častice. To je normálne; častice sú neškodné a po krátkej chvíli prestanú zo žehličky vypadávať.*
 - 3) *Keď aktivujete funkciu „Para“, môže spotrebič vydávať zvuk pumpovania. To je normálne; zvuk vám oznámi, že sa do generátora pary čerpá voda.*
 - 4) *Počas procesu zahrievania žehliacej plochy bude zo žehliacej plochy automaticky vychádzať malé množstvo pary a tento jav bude pokračovať asi 3 sekundy, to je normálne.*
 - 5) *Po prvom použití bude v hadici prívodu pary málo kondenzovanej vody. Ale pri druhom použití sa kondenzovaná voda vystrekne spolu s parou na začiatku uvoľňovania pary. Tento jav bude trvať niekoľko sekúnd. To je normálne.*
3. Spotrebič sa automaticky vypne, ak po zapnutí všetky indikátory päťkrát zablikajú a začujete päť pípnutí. V takom prípade kontaktujte, prosím, oddelenie popredajného servisu.

POUŽÍVANIE PARNEJ STANICE

Spotrebič má dva spôsoby žehlenia. Môžete použiť suché žehlenie alebo žehlenie s parou, podrobnosti sú uvedené nižšie:

Suché žehlenie

1. Postavte základňu jednotky na stabilný a rovný povrch a potom položte žehličku na tepelno-izolačný podstavec základne jednotky.
2. Pripojte spotrebič k zdroju napájania a stlačte tlačidlo napájania, rozsvieti sa indikátor napájania.
3. Otočte ovládač teploty na požadované nastavenie, ktoré závisí od látky odevu. Žehlička sa

začne zahrievať a počas zahrievania bude trvalo svietiť indikátor teploty. Pozrite „RADY PRE ŽEHLENIE“.

4. Po dosiahnutí zvolenej teploty sa ukazovateľ teploty vypne. Teraz môžete začať žehliť.

VAROVANIE: Nikdy sa nedotýkajte horúcej žehliacej plochy pred ochladením!

Parné žehlenie

1. Postavte základňu jednotky na stabilný a rovný povrch.

Uchopte rukoväť nádržky na vodu, vyberte nádržku na vodu a potom ju naplňte plniacim otvorom vodou. Radšej použite čistenú vodu s menším množstvom vápenatých častíc. Potom riadne vymeňte nádržku na vodu. Maximálna kapacita nádržky na vodu je 1,7 l, hladina vody nesmie prekročiť značku MAX.

2. Položte žehličku na tepelno-izolačný podstavec základne jednotky.

3. Pripojte spotrebič k zdroju energie, stlačte tlačidlo napájania a začne blikať východiskový indikátor nízkeho množstva pary. A k dispozícii sú tri režimy vrátane nízkej, strednej a vysokej rýchlosti pary, môžete si vybrať požadovanú rýchlosť pary pre každý odev podľa svojich požiadaviek. Uistite sa, že je v nádrži dostatok vody.

4. Otočte ovládač teploty na požadované nastavenie, ktoré závisí od látky odevu. Žehlička sa začne zahrievať a počas zahrievania bude trvalo svietiť indikátor teploty. Pri voľbe teploty sa riadte nižšie uvedenými informáciami v oddieloch „RADY PRE ŽEHLENIE“ a „DOPLNKOVÁ TABUĽKA“.

5. Po niekoľkých minútach indikátor teploty zhasne, čo znamená, že teplota žehliacej plochy dosiahla zvolenú teplotu. Keď sa indikátor zvolenej rýchlosti pary zmení z blikajúceho na rozsvietený, znamená to, že žehlička je pripravená na žehlenie odevu parou.

Stlačte spúšť pary malou silou, para bude nepretržite striekať zo žehliacej plochy a potom môžete odev žehliť parou.

7. Dvakrát rýchlo stlačte spúšť pary, aby ste vytvorili výstrek pary, ak potrebujete odstrániť tvrdý záhyb.

Poznámka: Keď je teplota žehliacej plochy na druhom nastavení a nižšie, môže počas striekania pary kvapkať voda. To je normálne.

Pozor:

1) Pred vychladnutím sa nikdy nedotýkajte horúcej žehliacej plochy!

2) Nikdy nesmerujte paru na ľudí!

3) Neaktivujte spúšť pary, keď je žehlička umiestnená na základni jednotky, aby nedošlo k opareniu parou.

8. Po žehlení stlačte tlačidlo napájania na dlhšie než 2 sekundy, spotrebič sa vypne a všetky indikátory zhasnú. Vytiahnite zástrčku zo zásuvky. Žehliaca plocha je stále horúca. Nikdy sa jej nedotýkajte rukou. Položte ju na termoizolačný stojan, kým úplne nevychladne.

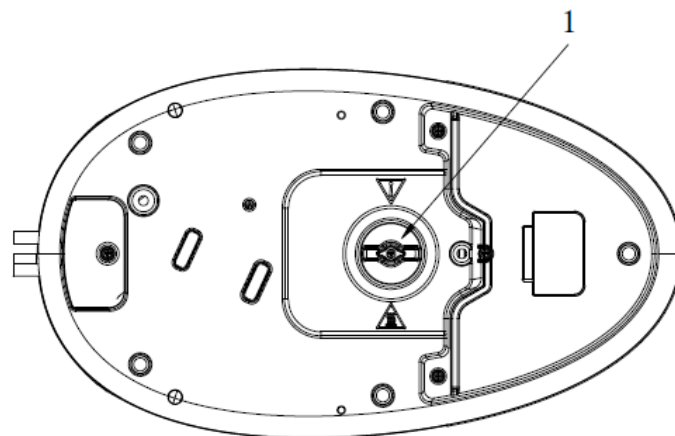
FUNKCIA AUTO-CLEAN

Ak sa rozsvieti indikátor odvápnenia, znamená to, že parný generátor sa musí vyčistiť z dôvodu zhromažďovania minerálnych usadenín. Keď systém zaistí odstránenie minerálnych usadenín, indikátor odvápnenia zhasne.

Pred čistením sa uistite, že indikátor odvápnenia trvalo svieti, potom odpojte spotrebič a nechajte ho vychladnúť.

1. Vyberte nádržku na vodu, postavte základňu jednotky nahor a položte ju na rovný povrch, potom otočte gombíkom na spodnej strane základne jednotky proti smeru hodinových ručičiek, aby ste ju vybrali.

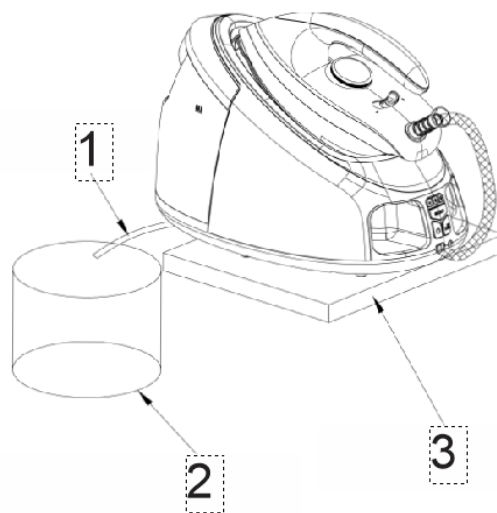
VAROVANIE: Aby ste predišli riziku oparenia, uistite sa, že je spotrebič úplne vychladnutý, než odoberte gombík (poloha 1 na obrázku nižšie).



2. Nainštalujte vypúšťací konektor do odpadového potrubia.

3. Položte základňu jednotky na vhodný a pevný stôl, potom vložte silikónovú hadicu do nádoby, potom naplňte nádržku na vodu vodou a vráťte ju späť na miesto (pozrite obr. 4). Uistite sa, že je spotrebič umiestnený stabilne.

Číslo	Popis
1	Silikónová trubica
2	Kontajner
3	Pevný stôl



Obr. 4

4. Pripojte spotrebič k zdroju napájania, stlačte tlačidlo napájania, potom podržte a stlačte súčasne tlačidlá „Odvápnenie“ a „Spúšťáč pary“ na asi 1 sekundu. V tej chvíli začujete jedno pípnutie a indikátor odvápnenia začne blikať. Spotrebič začne čistiť vyvíjač pary a para a vodný kameň vytekajú z vyvíjača pary. Asi po 3 minútach sa ozve jedno pípnutie, indikátor odvápnenia zhasne a spotrebič sa automaticky vypne.

POZNÁMKA: Počas čistenia sa nedotýkajte nádoby ani sa k nej nepribližujte, aby ste sa neoparili.

5. Odpojte a vyberte nádržku na vodu, potom položte žehličku na rovný povrch, potom

postavte základňu jednotky nahor a položte ju na rovný povrch a potom otočte gombíkom v smere hodinových ručičiek, aby ste ho utiahli a nainštalujte vypúšťací konektor riadne na svoje miesto. Nakoniec postavte základňu jednotky hore nohami a položte žehličku na tepelno-izolačný podstavec základne jednotky.

ÚDRŽBA A ČISTENIE Obr. 8

Pred čistením najprv odpojte sieťovú zásuvku a nechajte spotrebič vychladnúť.

1. Zvyšky a ďalšie usadeniny na žehliacej ploche utrite vlhkou handričkou alebo neabrazívnym (tekutým) čističom.

POZNÁMKA: *Na oškrabanie žehliacej plochy nepoužívajte chemické, oceľové, drevené alebo abrazívne čistiace prostriedky.*

2. Očistite hornú časť žehličky mäkkou vlhkou handričkou. Utrite kvapky vody na základni jednotky a termoizolačnom stojane suchou handričkou.

Keď sa rozsvieti kontrolka odvápnenia, vykonajte automatické čistenie podľa postupu opísaného v časti „FUNKCIA AUTOMATICKÉHO ČISTENIA“.

4. Ak spotrebič dlhší čas nepoužívate, vylejte vodu z nádržky, otočte voličom teploty na minimálne nastavenie a uložte žehličku na tepelno-izolačnú podložku. Potom zatlačte zámku žehličky do uzamknutej polohy, aby sa žehlička uzamkla správne.

Poznámka: *Celú parnú stanicu je možné zdvihnúť uchopením za rukoväť žehličky potom, čo je žehlička riadne zaistená na základni jednotky.*

5. Keď sa parná prírodná hadica a napájací kábel nepoužívajú, je možné ich zložiť a uložiť do príslušných úložných boxov a potom umiestniť spotrebič na miesto mimo dosahu detí.

RADY PRE ŽEHLENIE

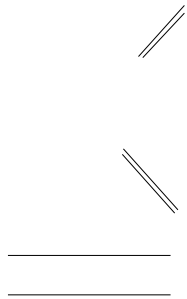
- Vždy najprv skontrolujte, či je na výrobku pripevnený štítok s pokynmi na žehlenie. V každom prípade dodržujte tieto pokyny na žehlenie.

- Žehlička sa rýchlejšie zahrieva, než ochladzuje, preto by ste mali začať žehliť predmety vyžadujúce najnižšiu teplotu, ako sú tie zo syntetických vlákien.

- Ak sa látka skladá z rôznych druhov vlákien, musíte vždy zvoliť najnižšiu teplotu žehlenia, aby ste vyžehlili zloženie týchto vlákien.

- Textilie zo syntetických vlákien a hodvábu by sa mali žehliť na vnútornej strane, aby sa neleskli.
- Zamat a ďalšie textúry, ktoré sa silne lesknú, by sa mali vyžehliť v jednom smere ľahkým tlakom. Vždy udržiavajte žehličku v pohybe.
- S naparovacou žehličkou je možné žehliť látky z čistej vlny (100 % vlna). Prednostne nastavte volič teploty do tretej polohy a ako podložku použite suchú handričku.
- Nikdy nežehlíte cez zips, nity v látke. Poškodí sa tým žehliaca plocha. Každý takýto predmet pri žehlení obíd'te.

EKOLOGICKÁ LIKVIDÁCIA



***Môžete prispieť k ochrane životného prostredia!
Nezabudnite, prosím, rešpektovať miestne
predpisy: odovzdajte nefunkčné elektrické
zariadenia do príslušného strediska na likvidáciu
odpadu.***

ВАЖЛИВІ ЗАХОДИ БЕЗПЕКИ

Перш ніж користуватися електричним приладом, завжди забезпечуйте дотримання основних запобіжних заходів, включаючи наступні:

Прочитайте всі інструкції.

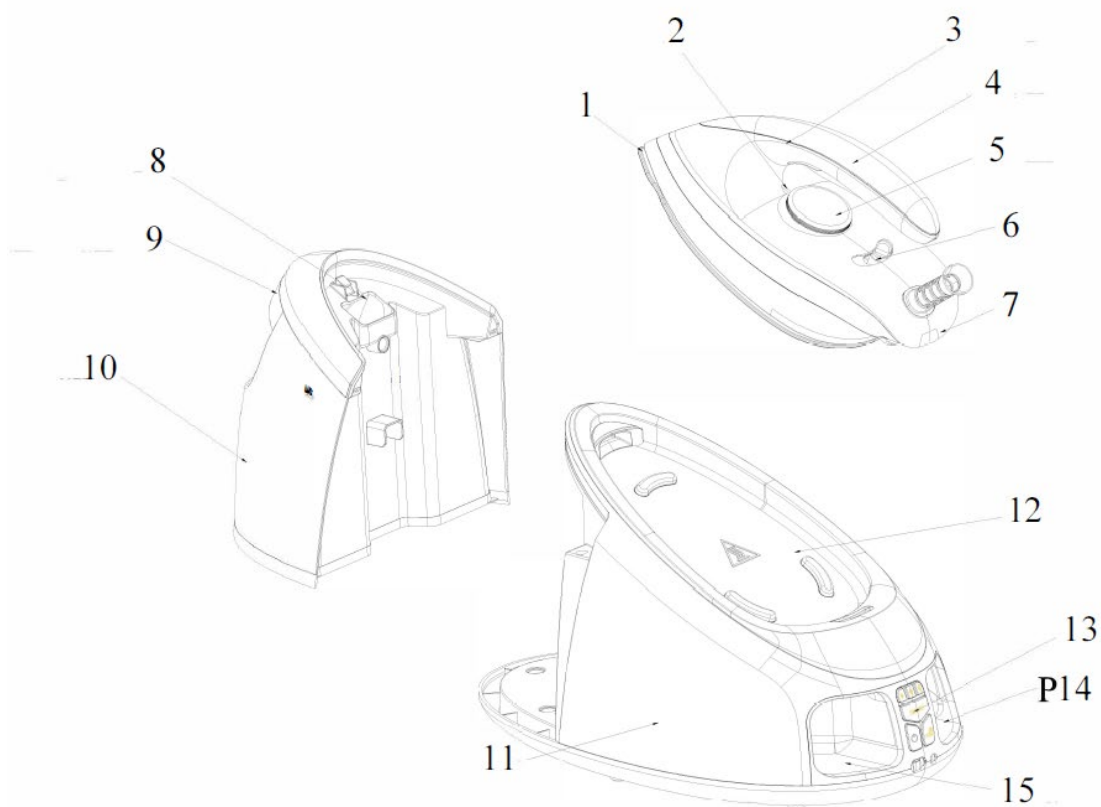
1. Перед користуванням переконайтеся, що напруга в електромережі відповідає напрузі на паспортній табличці.
2. Не користуйтеся приладом, якщо на шнурі, штепселі, індикаторі чи на самому приладі наявні видимі пошкодження чи прилад упав або протікає. Щоб уникнути небезпеки, віднесіть його до найближчого авторизованого сервісного центру чи кваліфікованого спеціаліста для перевірки й ремонту.
3. Якщо шнур живлення пошкоджений, з метою уникнення небезпеки його має бути замінено виробником, його представником з обслуговування чи аналогічною кваліфікованою особою.
4. Не допускайте контакту шнура з подошвою праски, коли вона гаряча.
5. Від дотику до гарячих металевих деталей, гарячої води чи пари можуть виникнути опіки.
6. Не дозволяйте шнуру звисати з краю столу чи над гарячою поверхнею.
7. Щоб уникнути ризику ураження електричним струмом, не занурюйте праску у воду чи інші рідини. Якщо це сталося, не користуйтеся цим приладом; утилізуйте його.
8. Не залишайте праску без нагляду, коли її підключено до джерела живлення або вона перебуває на прасувальній дошці.
9. Завжди ставте прилад або використовуйте його на стійкій, рівній і горизонтальній поверхні.
10. Використання аксесуарів, не рекомендованих виробником, може призвести до травмування людей або пошкодження приладу.
11. При користуванні підставкою переконайтеся, що поверхня, на якій вона розміщена, стійка.
12. Під час користування праскою регулятор в нижній частині бази приладу завжди повинен бути добре закритим.
13. Ніколи не наповнюйте бачок для води гарячою водою, парфумами, оцтом, крохмалем, засобом для видалення накипу, пом'якшувачем для тканин або іншим хімічним реагентом.

14. Коли прилад не використовується, перед наповненням водою чи очищенням від'єднайте шнур від електромережі.
15. Не використовуйте прилад не за призначенням.
16. Цей прилад можна використовувати дітям віком від 8 років, а також особам з обмеженими фізичними, сенсорними або розумовими здібностями чи з нестачею досвіду й знань, якщо вони перебувають під наглядом або отримали вказівки стосовно використання приладу та розуміють пов'язану з цим небезпеку.
17. Дітям не слід гратися з приладом. Діти не повинні очищувати чи обслуговувати прилад без нагляду.
18. Праску не слід використовувати, якщо вона впала, має видимі ознаки пошкодження чи протікає.
19. Коли праска гаряча й охолоджується чи підключена до електромережі, тримайте її й шнур у місці, недоступному для дітей віком до 8 років.
20. Якщо праска не повністю охолола чи підключена до електромережі, ніколи не торкайтеся гарячої подошви.
21. Не використовуйте прилад на відкритому повітрі.
22. Збережіть ці інструкції.

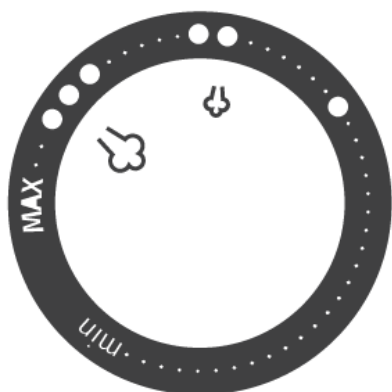
ЛИШЕ ДЛЯ ПОБУТОВОГО ВИКОРИСТАННЯ

ЧАСТИНИ ПАРОВОЇ СТАНЦІЇ

Номер	Опис
1	Підшва
2	Індикатор температури
3	Кнопка подавання пари
4	Ручка
5	Регулятор температури
6	Фіксатор праски на станції
7	Праска
8	Заливна горловина
9	Ручка бачка для води
10	Бачок для води
11	База приладу
12	Теплоізолювана підставка
13	Панель керування
14	Відсік для шнура живлення
15	Відсік для шланга подавання пари



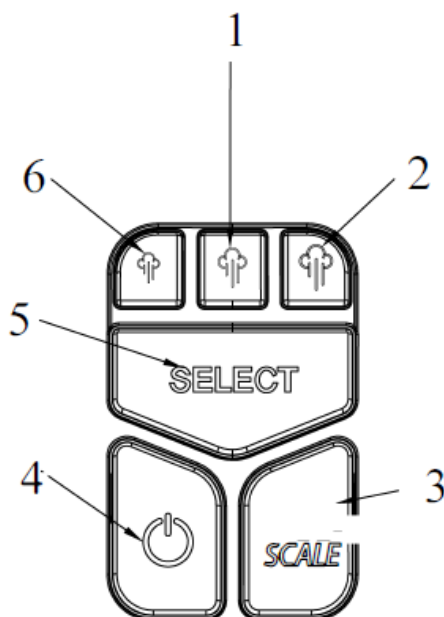
Регулятор температури



●	Шовк $80 < T < 120$
● ●	Шерсть $115 < T < 160$
● ● ●	Бавовна $170 < T < 215$
МАКС.	Максимум $175 < T < 225$

ПАНЕЛЬ КЕРУВАННЯ

Номер	Опис
1	Середній об'єм пари
2	Високий об'єм пари
3	Кнопка видалення накипу
4	Кнопка ввімкнення живлення
5	Регулювання об'єму пари, що подається
6	Низький об'єм пари



Заливна горловина

Заповніть бачок водою через горловину. Переконайтеся, що рівень вода не перевищує позначку МАХ (максимальний рівень).

Кнопка ввімкнення живлення

Підключіть прилад до розетки й натисніть кнопку ввімкнення живлення. Індикатор живлення засвітиться, низький об'єм пари, що подається, буде вибрано за замовчуванням, а індикатор блиматиме. Натисніть й утримуйте кнопку ввімкнення живлення більше 2 секунд, аби вимкнути прилад.

Кнопка регулювання об'єму пари, що подається

За допомогою кнопки регулювання об'єму пари, що подається, можна вибрати низький, середній або високий об'єм подавання пари. Можна обрати будь-який об'єм; відповідний індикатор блиматиме, а після завершення попереднього нагрівання світитиметься. Це означає, що прилад готовий до використання. При перемиканні з низького налаштування на високе індикатор вибраного об'єму пари блиматиме, а при перемиканні з високого на низьке — світитиметься постійно.



Регулятор температури

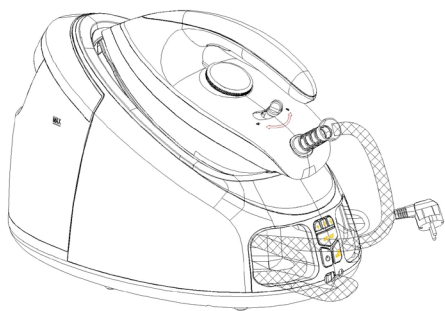
Аби встановити температуру прасування залежно від типу одягу, поверніть регулятор.

Індикатор температури

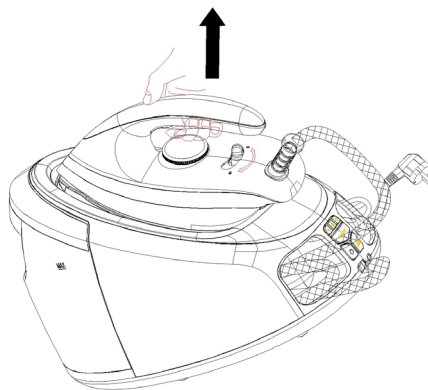
При виборі вищої температури, прилад нагріватиметься, поки не досягне потрібного значення. Під час розігрівання приладу світитиметься і індикатор температури. Після того, як прилад досягне вибраної температури, індикатор температури згасне. Індикатор температури вмикатиметься й вимикатиметься під час роботи праски — так прилад підтримуватиме потрібну температуру під час прасування.

Фіксатор праски

Поставте праску на термоізольовану підставку бази приладу й перемістіть фіксатор на прасці в положення «», щоб зафіксувати праску на базі. Аби розблокувати праску, перемістіть фіксатор у положення «». Після цього праску можна зняти (див. мал. 1). Після блокування праски на базі всю парову станцію можна підняти за ручку праски (див. мал. 2).



М а л . 1



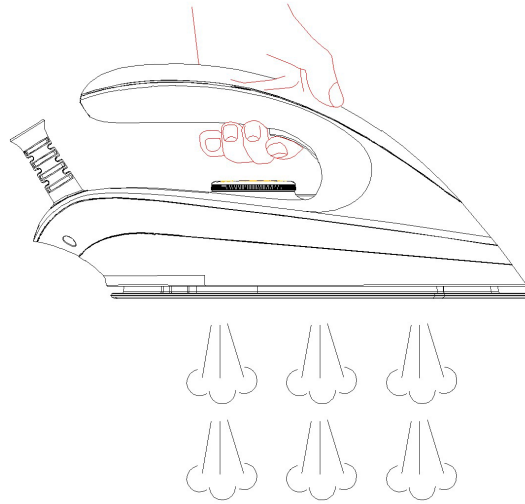
М а л . 2

Кнопка подавання пари

Після натискання кнопки живлення й вибору потрібного об'єму подавання пари пару можна використовувати для прасування, коли індикатор об'єму подавання пари починає світитися, а не блимати. Аби скористатися паром, злегка натисніть кнопку подавання пари. Коли кнопку натиснуто, пара подаватиметься з підошви безперервно. Після відпускання кнопки подавання пари прилад можна використовувати лише для сухого прасування без пари.

Паровий удар

Швидко двічі натисніть кнопку подавання пари, щоб почати паровий удар, який триватиме 6 хвилин (див. мал. 3). Аби припинити паровий удар під час прасування, один раз натисніть кнопку подавання пари чи будь-яку кнопку на панелі керування.



М а

Індикатор видалення накипу

Якщо світиться індикатор видалення накипу, то це означає, що всередині приладу накопичилися відкладення вапна і прилад потрібно очистити. Коли ці відкладення буде видалено, індикатор згасне.

Відсік для шнура живлення й відсік для шланга подавання пари

Коли шланг подавання пари й шнур живлення не використовуються, їх можна скласти у відповідні відсіки.

Автоматичне вимкнення

Якщо протягом 10 хвилин не користуватися функцією пари чи не натискати кнопки на панелі керування, прилад автоматично вимкнеться.

ПІДГОТУВАННЯ ДО ПЕРШОГО ВИКОРИСТАННЯ

1. Зніміть усі наліпки або захисну фольгу з подошви.
2. Наповніть водою бачок для води й нагрійте праску до максимальної температури. Потім прасуйте вологу тканину протягом декількох хвилин, аби видалити з подошви будь-які залишки відповідно до рекомендацій у розділі «Прасування із застосуванням пари».

ПРИМІТКА.

- 1) Якщо з пристрою при першому використанні виходить дивний запах, це нормально. Через певний час це припиниться.*
 - 2) Коли праска використовується вперше, з подошви можуть вийти тверді частинки. Це нормально. Частинки нешкідливі й перестають виходити через деякий час.*
 - 3) При ввімкненні функції пари приладу може видавати звук накачування. Це нормально. Звук говорить про те, що вода закачується в парогенератор.*
 - 4) Під час нагрівання з подошви автоматично виходить невелика кількість пари. Це нормально й триватиме близько 3 секунд.*
 - 5) Після першого використання у шлангу подавання пари залишатиметься невелика кількість конденсату. Під час другого використання ця вода буде розпорозуватися разом з паром на початку випуску пари. Це відбуватиметься протягом кількох секунд. Це нормально.*
3. Якщо після ввімкнення всі індикатори блимнуть п'ять разів зі звуковим сигналом і прилад автоматично вимкнеться, зверніться до відділу післяпродажного обслуговування.

КОРИСТУВАННЯ ПАРОВОЮ СТАНЦІЄЮ

Користуватися праскою можна у два способи: сухе прасування чи прасування з паром. Ось, як це робити.

Сухе прасування

1. Розташуйте базу пристрою на твердій рівній поверхні й поставте праску на термоізолювану підставку.
2. Підключіть прилад до електромережі й натисніть кнопку ввімкнення живлення. Загориться індикатор живлення.
3. Поверніть регулятор температури у потрібне положення залежно від тканини, яку потрібно випрасувати. Праска починає нагріватися. Під час нагрівання індикатор температури світлитиметься. Див. розділ «ПОРАДИ ЩОДО ПРАСУВАННЯ».
4. Індикатор температури вимкнеться, коли праска нагріється до вибраної

температури. Можна починати прасувати.

УВАГА! Ніколи не торкайтеся подошви, якщо праска ще гаряча!

Прасування з парою

1. Розташуйте базу пристрою на твердій рівній поверхні.
2. Щоб вийняти бачок для води, скористайтесь ручкою бачка. Наповніть бачок водою через заливну горловину. Рекомендується використовувати очищену воду зі зменшеним вмістом кальцію. Після цього належним чином вставте бачок на місце. Максимальна ємність бачка — 1,7 л; рівень води не повинен перевищувати позначку MAX.
2. Поставте праску на теплоізольовану підставку на базі.
3. Підключіть прилад до електромережі, натисніть кнопку живлення. Індикатор низького об'єму пари (вибирається автоматично за замовчанням) почне блимати. Існує три режими подавання пари: низький, середній і високий об'єм. Можна вибрати потрібне налаштування пари для одягу залежно від ваших вимог. Переконайтеся, що в бачку достатньо води.
4. Поверніть регулятор температури у потрібне положення залежно від тканини, яку потрібно випрасувати. Праска починає нагріватися. Під час нагрівання індикатор температури світлитиметься. Аби правильно вибрати температуру, перегляньте розділи «ПОРАДИ ЩОДО ПРАСУВАННЯ» й «ДОДАТКОВА ТАБЛИЦЯ» нижче.
5. За кілька хвилин індикатор температури згасне. Це означає, що подошва нагрілася до вибраної температури. Коли індикатор вибраного налаштування подавання пари припиняє блимати й світлиться постійно, це вказує на те, що прилад готовий до прасування з парою.
6. Злегка натисніть кнопку подавання пари. Коли почнеться безперервне подавання пари з подошви, можна починати прасувати одяг з парою.
7. Якщо потрібно прибрати складку, швидко двічі натисніть кнопку подавання пари, щоб увімкнути паровий удар.

Примітка. Під час розпилення пари з подошви може капати вода, якщо температура подошви нижче другого налаштування. Це нормально.

Увага!

1) Ніколи не торкайтеся підшови, якщо праска ще гаряча!

2) Ніколи не направляйте пар на людей!

3) Не натискайте кнопку подавання пари, якщо праска стоїть на базі, щоб уникнути парового опіку.

8. Після прасування утримуйте кнопку живлення більше 2 секунд, аби вимкнути прилад. Всі індикатори при цьому згаснуть. Вийміть штепсель шнура живлення з розетки. Безпосередньо після вимкнення приладу підшва ще залишатиметься гарячою певний час. Ніколи не торкайтеся її рукою. Праска має стояти на теплоізольованій підставці, поки не охолоне повністю.

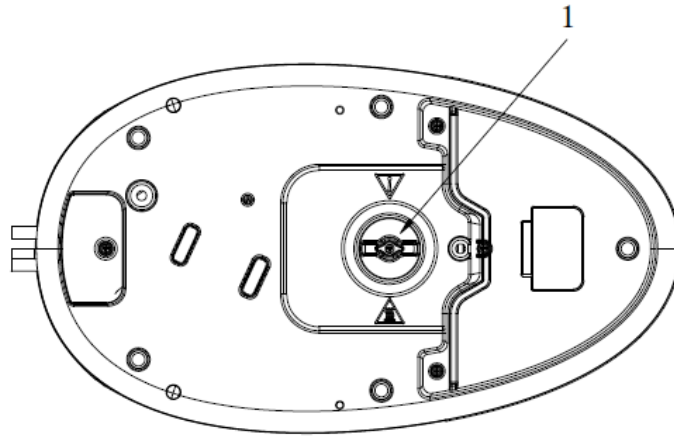
ФУНКЦІЯ АВТОМАТИЧНОГО ОЧИЩЕННЯ

Якщо світиться індикатор видалення накипу, то це означає, що всередині приладу накопичилися відкладення вапна й прилад потрібно очистити. Якщо світиться індикатор видалення накипу, то це означає, що всередині приладу накопичилися відкладення вапна і прилад потрібно очистити. Коли ці відкладення буде видалено, індикатор видалення накипу згасне.

Перед очищенням переконайтеся, що світиться індикатор видалення накипу, від'єднайте прилад від електромережі й дайте йому охолонути.

1. Вийміть бачок для води, переверніть базу приладу й покладіть її на рівну поверхню. Потім повертайте ручку в нижній частині бази проти годинникової стрілки та зніміть її.

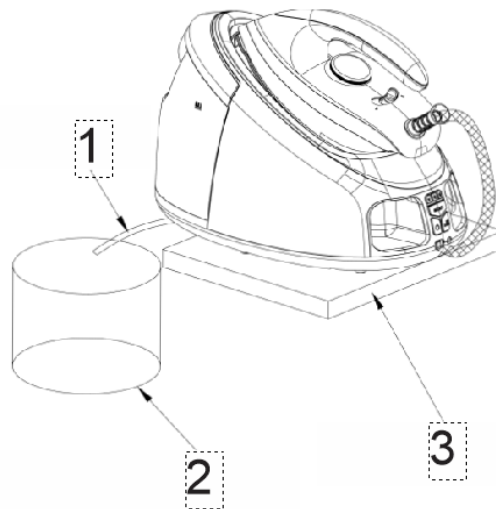
УВАГА! Щоб уникнути ризику опарювання, переконайтеся, що прилад повністю охолов, перш ніж знімати ручку (позиція 1 на малюнку нижче).



2. Установіть дренажний роз'єм у дренажну трубку.

3. Розташуйте базу на стійкому столі, покладіть силіконову трубку в ємність, наповніть водою бачок для води й установіть його на місце (див. мал.4). Переконайтеся, що прилад стоїть надійно.

Номер	Опис
1	Силіконова трубка
2	Контейнер
3	Стійкий стіл



Мал. 4

4. Підключіть прилад до електромережі, натисніть кнопку живлення, натисніть й утримуйте одночасно кнопку видалення накипу та кнопку подавання пари протягом приблизно 1 секунди. Пролунає звуковий сигнал, індикатор видалення накипу почне блимати, потім прилад почне очищати парогенератор. З парогенератора почне виходити пара й накип. Приблизно за 3 хвилини пролунає одиночний звуковий сигнал, індикатор видалення накипу згасне, а прилад автоматично вимкнеться.

ПРИМІТКА. Не торкайтеся й не наближайте до контейнера під час очищення, щоб уникнути парових опіків.

5. Від'єднайте прилад від електромережі, вийміть бачок для води й поставте праску на рівну поверхню. Після цього переверніть базу, покладіть її на рівну поверхню, потім поверніть ручку за годинниковою стрілкою, щоб затягнути її. Установіть дренажний роз'єм на місце. Зрештою, переверніть базу й поставте праску на термоізовану підставку.

ОЧИЩЕННЯ Й ТЕХНІЧНЕ ОБСЛУГОВУВАННЯ

Перед очищенням спочатку від'єднайте прилад від електромережі й дайте йому охолонути.

1. Витріть залишки й будь-які інші відкладення на підшві вологою ганчіркою чи неабразивним (рідким) миючим засобом.

Примітка. *Не використовуйте хімічні, сталеві, дерев'яні чи абразивні миючі засоби, щоб не подряпати підшву.*

2. Очистьте верхню частину праски м'якою вологою ганчіркою. Витріть краплі води на базі приладу й теплоізоляційній підставці сухою ганчіркою.

3. Виконайте автоматичне очищення, здійснивши операцію, описану в розділі «ФУНКЦІЯ АВТОМАТИЧНОГО ОЧИЩЕННЯ», коли світиться індикатор видалення накипу.

4. Коли прилад не використовується протягом тривалого часу, вилийте воду з бачка, поверніть регулятор температури в положення мінімальної температури й зберігайте праску на теплоізований підставці. Потім переведіть фіксатор блокування праски

в положення закритого замка, щоб зафіксувати праску на базі.

Примітка. Після блокування праски на базі всю парову станцію можна підняти за ручку праски.

5. Коли шланг подавання пари й шнур живлення не використовуються, їх можна скласти у відповідні відсіки. Потім покладіть прилад у місце, недоступне для дітей.

ПОРАДИ ЩОДО ПРАСУВАННЯ

— Завжди спочатку переглядайте етикетку з інструкціями з прасування, якщо така є. У будь-якому випадку дотримуйтесь цих інструкцій з прасування.

— Праска нагрівається швидше, ніж охолоджується, тому вироби, що вимагають найнижчої температури прасування, наприклад, виготовлені з синтетичного волокна, починайте прасувати дещо раніше.

— Якщо тканина складається з різних видів волокон, то для прасування таких тканин завжди вибирайте найнижчу відповідну температуру прасування.

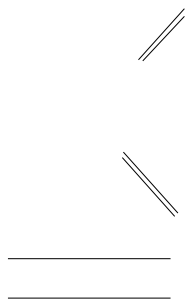
— Синтетичне волокно й шовкові тканини прасуються з внутрішньої сторони, щоб уникнути утворення блискучої поверхні.

— Оксамитові й інші текстури, які швидко стають блискучими, слід прасувати в одному напрямку, злегка притискаючи. Завжди переміщуйте праску по тканині.

— Тканини з чистої вовни (100% вовна) можна прасувати з парою. Регулятор температури рекомендується установити у третє положення й використовувати суху тканину в якості килимка для прасування.

— Ніколи не прасуйте застібки-блискавки й заклепки. Це призведе до пошкодження підошви. Прасуйте навколо будь-якого такого об'єкта.

ЕКОЛОГІЧНО ЧИСТА УТИЛІЗАЦІЯ



Ви можете допомогти захистити навколишнє середовище!

Пам'ятайте про дотримання місцевих норм: передавайте непрацююче електрообладнання до відповідних центрів утилізації відходів.

ВАЖНИ МЕРКИ ЗА БЕЗОПАСНОСТ

Преди да използвате електрическия уред, е необходимо винаги да спазвате основните мерки за безопасност, включително следните:

Прочетете всички инструкции.

1. Преди употреба проверете дали напрежението на електрическата мрежа съответства на напрежението, указано на табелката с производствени данни.
2. Не използвайте уреда, ако захранващият кабел, щепселът, светлинният индикатор или самият уред показват видима повреда, ако уредът е бил изпуснат или тече. Занесете го в най-близкия оторизиран сервиз или при квалифициран техник за преглед и ремонт, за да избегнете опасност.
3. Ако захранващият кабел е повреден, той трябва да бъде сменен от производителя, негов упълномощен сервиз или квалифициран техник, за да се избегне всякаква опасност.
4. Не позволявайте кабелът да влиза в контакт с гладещата плоча, когато е гореща.
5. Могат да се получат изгаряния от докосването на метални части, гореща вода или пара.
6. Не позволявайте захранващият кабел да виси от ръба на маса или гореща повърхност.
7. За да се предпазите от риск от токов удар, никога не потапяйте ютията във вода или друга течност. Ако това се е случило, не използвайте повече този уред; изхвърлете го.
8. Не оставяйте ютията без надзор, докато е включена в захранването или е върху дъска за гладене.
9. Винаги поставяйте и използвайте уреда върху стабилна, равна и хоризонтална повърхност.
10. Използването на аксесоар, който не е препоръчан от производителя, може да причини телесни наранявания или повреда на уреда.
11. Когато поставяте ютията върху нейната стойка, уверете се, че повърхността, върху която е поставена стойката, е стабилна.
12. Копчето в долната част на основата трябва винаги да е добре затворено по време на употреба.
13. Никога не пълнете резервоара за вода с гореща вода, аромат, оцет, нишесте,

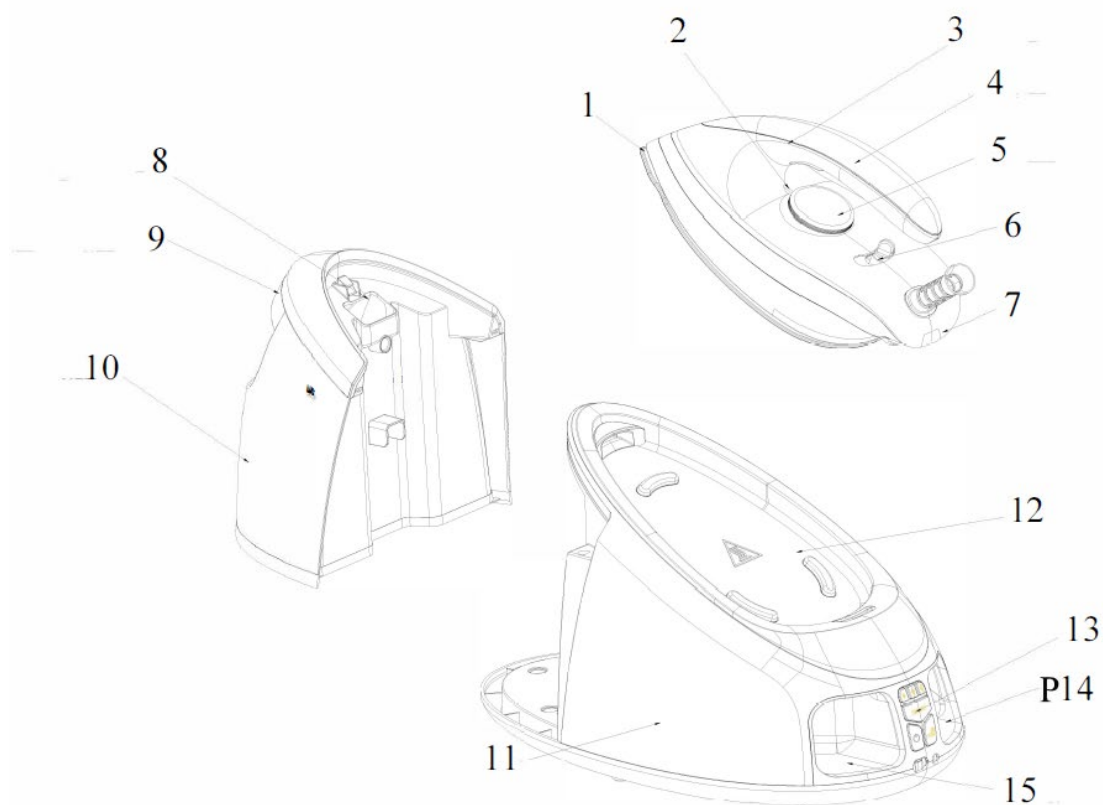
препарат за отстраняване на котлен камък, омекотител за тъкани или друг химически реактив.

14. Изключете уреда от контакта, когато няма да го използвате, преди пълнене с вода или почистване.
15. Не използвайте уреда за друга цел освен основното му предназначение.
16. Този уред може да бъде използван от деца, навършили 8-годишна възраст или по-големи, както и от лица с намалени физически, сетивни или умствени способности или без опит и познания за работа с уреда, само ако са под наблюдение или са инструктирани за безопасната му употреба и са наясно с евентуалните опасности.
17. Не позволявайте на деца да си играят с уреда. Почистването и поддръжката не трябва да се извършват от деца без наблюдение от възрастен.
18. Не използвайте ютията, ако е била изпускана, ако има видими признаци на повреда по нея или ако има теч.
19. Дръжте ютията и нейния кабел далеч от деца под 8-годишна възраст, когато работи или се охлажда.
20. Никога не докосвайте горещата гладеща плоча, освен ако ютията не е напълно изстинала и изключена от контакта.
21. Не използвайте уреда на открито.
22. Запазете тези инструкции.

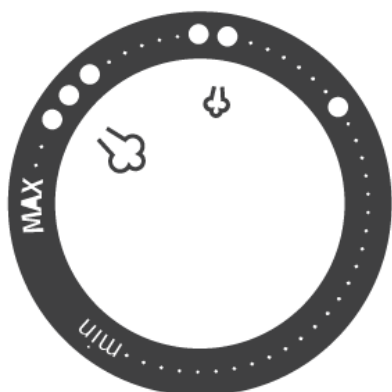
САМО ЗА ДОМАШНА УПОТРЕБА

ОПОЗНАЙТЕ СВОЯТА ЮТИЯ С ПАРОГЕНЕРАТОР

Номер	Описание
1	Гладеща плоча
2	Индикатор за температура
3	Спусък за парата
4	Дръжка
5	Регулатор на температурата
6	Заклучване на ютията в основата
7	Гладене
8	Отвор за пълнене
9	Дръжка на резервоара за вода
10	Резервоар за вода
11	Основа на уреда
12	Термоизолационна стойка
13	Контролен панел
14	Отделение на захранващия кабел
15	Отделение на маркуча за парата



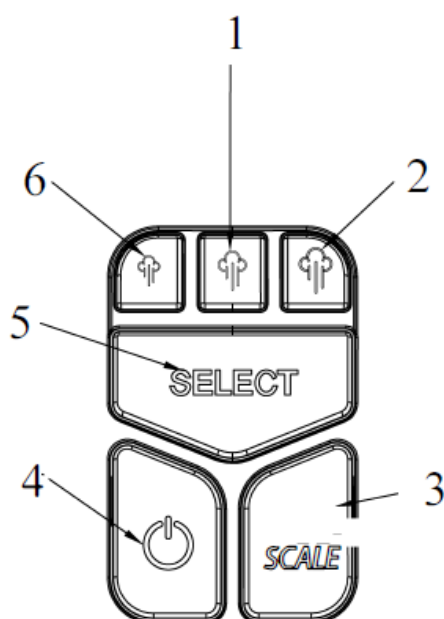
РЕГУЛАТОР НА ТЕМПЕРАТУРАТА



●	Коприна 80<T<120
● ●	Вълна 115<T<160
● ● ●	Памук 170<T<215
MAX	Максимум 175<T<225

КОНТРОЛЕН ПАНЕЛ

Номер	Описание
1	Средно количество пара
2	Голямо количество пара
3	Бутон за отстраняване на котления камък
4	Бутон за включване и изключване на захранването
5	Регулатор на количеството пара
6	Малко количество пара



Отвор за пълнене

Напълнете резервоара за вода през отвора за пълнене. Уверете се, че водата не надвишава маркировката МАХ на резервоара.

Бутон за включване и изключване на захранването

Включете уреда в контакта и натиснете бутона за захранване. Индикаторът за захранване ще светне, настройката за малко количество пара се счита за зададена по подразбиране и индикаторът ѝ ще мига. Задръжте бутона за захранване натиснат за повече от 2 секунди, уредът ще се изключи.

Бутон на регулатора на количеството пара

Количеството пара може да бъде избрано да бъде малко, средно или голямо чрез бутона за регулиране. Независимо от избора, индикаторът му ще мига и ще светне постоянно след приключване на предварителното загряване, което означава, че парата е готова за употреба. Индикаторът за избраното количество пара ще мига, когато се превключи от ниска настройка на висока настройка, и ще свети постоянно, когато количеството пара се превключи от висока на ниска настройка.



Регулатор на температурата

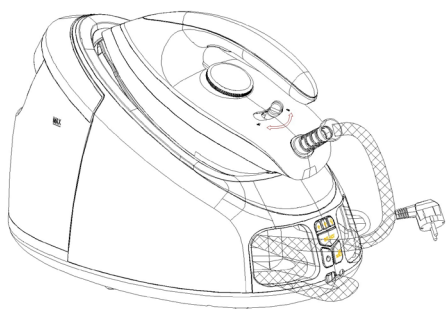
Завъртете регулатора, за да зададете температурата на гладене в зависимост от дрехата, която трябва да се глади.

Индикатор за температура

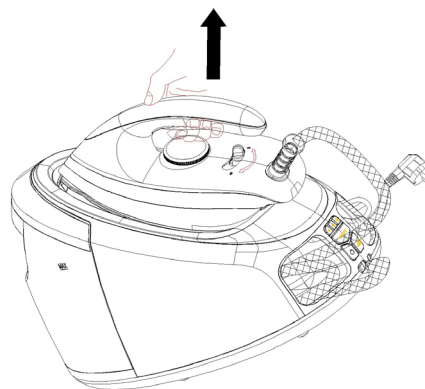
Уредът ще загрява, докато достигне избраната температура. Индикаторът за температура ще свети, когато уредът загрява. След като уредът достигне избраната температура, температурният индикатор ще изгасне. Индикаторът за температура ще се включва и изключва, когато ютията поддържа избраната температура по време на гладене.

Заклучване на ютията

Поставете ютията върху термоизолационната стойка на основата на уреда, след което натиснете ключалката в позиция „“, за да заключите ютията в основата на уреда. За да отключите, натиснете ключалката в положение „“, след което можете да извадите ютията, за да изгладите дрехите (вижте Фиг.1). Целият парогенератор може да бъде вдигнат, като хванете дръжката на ютията, след като ютията е правилно заключена в основата на уреда (вижте Фиг.2).



Фиг.1



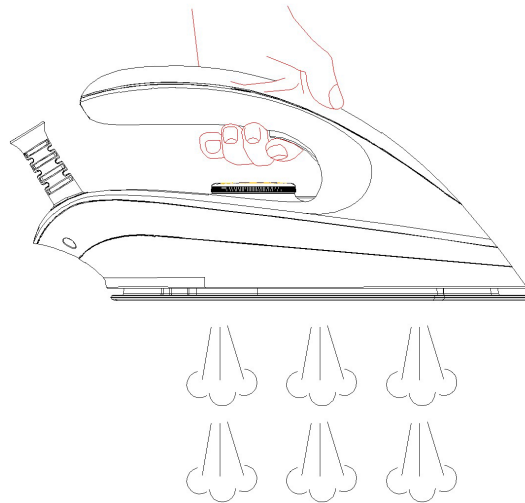
Фиг.2

Спусък за парата

След натискане на бутона за захранване и избор на желаното количество пара, когато индикаторът за парата се промени от мигащ на постоянно светещ, това показва, че парата може да се използва за гладене. В този момент натиснете леко спусъка за пара и парата ще излиза непрекъснато от гладещата плоча. Когато отпуснете спусъка за пара, уредът може да се използва само за сухо гладене без пара.

Изблик на пара

Натиснете спусъка за пара бързо два пъти, за да произведете изблик на пара, който ще продължи 6 минути (вижте Фиг.3). Ако искате да спрете изпускането на пара по време на работа, трябва само да натиснете веднъж спусъка за пара или произволен бутон на контролния панел.



Фиг.3

Индикатор за отстраняване на котлен камък

Ако индикаторът за отстраняване на котлен камък свети, това показва, че парогенераторът трябва да бъде почистен, тъй като е натрупано известно количество минерални отлагания. Когато системата установи, че минералните отлагания са отстранени, индикаторът ще изгасне.

Отделение на захранващия кабел и отделение на маркуча за парата

Когато не се използват, маркучът за подаване на пара и захранващият кабел могат да се сгънат и да се приберат в съответните отделения за съхранение.

Автоматично изключване

Уредът ще се изключи автоматично, ако не активирате функцията „Пара“ или бутоните на контролния панел в рамките на 10 минути.

ПРЕДИ ПЪРВА УПОТРЕБА

1. Отстранете всички стикери или защитно фолио от гладещата плоча.
2. Напълнете резервоара за вода и загрейте ютията на максимална температура. След това гладете върху влажна кърпа в продължение на няколко минути, за да отстраните всички остатъци върху гладещата плоча съгласно раздела „Гладене с пара“.

БЕЛЕЖКА:

1) Нормално е при първото използване от уреда да излиза странна миризма. Това ще се преустанови скоро.

2) Когато използвате ютията за първи път, от гладещата плоча могат да излязат някакви частици. Това е нормално; частиците са безвредни и скоро ще спрат да излизат от ютията.

3) Когато активирате функцията „Пара“, уредът може да издаде звук на помпани. Това е нормално; звукът означава, че водата се изпомпва в парогенератора.

4) По време на процеса на нагряване от гладещата плоча автоматично ще излиза малко пара и това явление ще продължи около 3 секунди; това е нормално.

5) След първата употреба в маркуча за подаване на пара ще има малко кондензирана вода.

Но при второто използване кондензираната вода ще бъде изпръскана заедно с парата в началото на процеса. Това явление ще продължи няколко секунди. Това е нормално.

3. Уредът ще се изключи автоматично, ако всички индикатори премигнат пет пъти заедно с пет звукови сигнала след включване. В такъв случай, моля, свържете се с отдела за следпродажбено обслужване.

ИЗПОЛЗВАНЕ НА ВАШАТА ЮТИЯ С ПАРОГЕНЕРАТОР

Уредът има два начина на гладене. Можете да използвате сухо гладене или гладене с пара. Подробностите се състоят в следното:

Сухо гладене

1. Разположете основата на уреда върху стабилна и равна повърхност и след това поставете ютията върху термоизолационната стойка на основата.

2. Свържете уреда към електрическата мрежа и натиснете бутона на захранването. Индикаторът за захранването се включва.

3. Завъртете регулатора на температурата до желаната от вас настройка, която зависи от тъканта на дрехата. Ютията започва да загрива и индикаторът за температура ще

свети постоянно по време на загряването. Вижте „**СЪВЕТИ ЗА ГЛАДЕНЕТО**“.

4. Температурният индикатор ще се изключи, когато се достигне избраната температура. Сега можете да започнете да гладите.

ПРЕДУПРЕЖДЕНИЕ: *Никога не докосвайте горещата гладеща плоча, преди да се е охладила!*

Гладене с пара

1. Поставете основата на уреда върху стабилна и равна повърхност.

2. Хванете дръжката на резервоара за вода, за да го извадите, след което го напълнете с вода през отвора за пълнене. По-добре използвайте пречистена вода с по-ниско съдържание на калций. След това върнете резервоара за вода на мястото му. Максималният капацитет на резервоара е 1,7 л. Нивото на водата не трябва да надвишава маркировката МАХ.

2. Поставете ютията върху термоизолационната стойка на основата на уреда.

3. Свържете уреда към електрическата мрежа, натиснете бутона на захранването и индикаторът на зададената по подразбиране настройка за малко количество пара ще започне да мига. На разположение са три режима с малко, средно и голямо количество пара. Можете да избирате желаната настройка за всяка дреха според вашите изисквания. Уверете се, че има достатъчно вода в резервоара.

4. Завъртете регулатора на температурата до желаната от вас настройка, която зависи от тъканта на дрехата. Ютията започва да загрява и индикаторът за температура ще свети постоянно по време на загряването. Вижте „**СЪВЕТИ ЗА ГЛАДЕНЕТО**“ и „**ДОПЪЛНИТЕЛНА ТАБЛИЦА**“ по-долу, когато избирате температурата.

5. След няколко минути индикаторът за температурата ще изгасне. Това показва, че температурата на гладещата плоча е достигнала избраната стойност. Когато индикаторът за избрано количество пара се промени от мигащ на светещ, това показва, че ютията е готова за гладене с пара.

6. Натиснете леко спуська и парата ще започне да излиза от гладещата плоча непрекъснато. След това можете да изгладите дрехата с пара.

7. Натиснете спуська за пара бързо два пъти, за да произведете изблик на пара, ако трябва да отстраните упорита гънка.

Бележка: Може да има капеща вода по време на изпускането на пара, когато температурата на гладещата плоча е на втората настройка или на по-ниска. Това е нормално.

Внимание:

- 1) Не докосвайте горещата гладеща плоча, преди да се е охладила!*
- 2) Никога не насочвайте парата срещу хора!*
- 3) Не активирайте спусъка за пара, когато ютията е поставена върху основата на уреда, за да избегнете изгаряне от парата.*

8. След гладене натиснете бутона за захранване за повече от 2 секунди, уредът ще се изключи и всички индикатори ще изгаснат. Изключете щепсела от контакта. Гладещата плоча обаче е все още гореща, никога не я докосвайте с ръка. Поставете я върху термоизолационната стойка, докато изстине напълно.

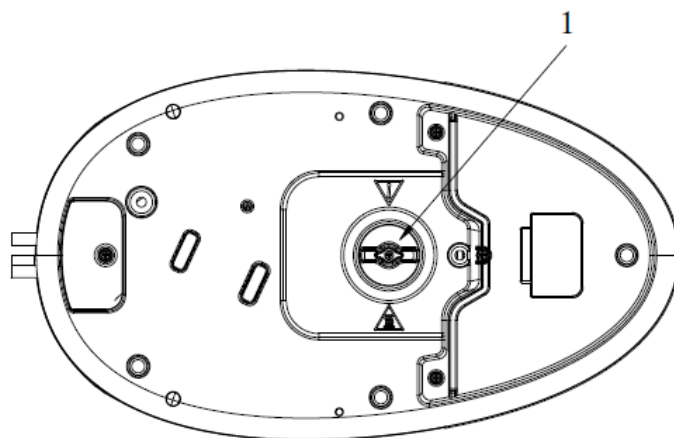
ФУНКЦИЯ АВТОМАТИЧНО ПОЧИСТВАНЕ

Ако индикаторът за отстраняване на котлен камък свети, това показва, че парогенераторът трябва да бъде почистен, тъй като е натрупано известно количество минерални отлагания. Когато системата установи, че минералните отлагания са отстранени, индикаторът ще изгасне.

Преди почистване се уверете, че индикаторът за отстраняване на котлен камък свети постоянно, след това изключете уреда от контакта и го оставете да изстине.

1. Извадете резервоара за вода, обърнете основата на уреда и я поставете върху равна повърхност, след което завъртете копчето в долната част на основата в посока обратна на часовниковата стрелка, за да го извадите.

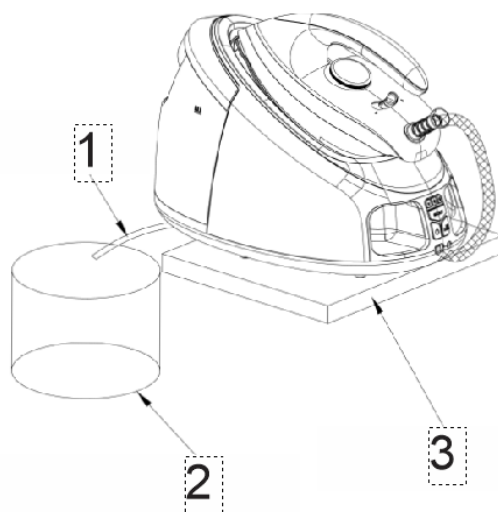
ПРЕДУПРЕЖДЕНИЕ: *За да избегнете риск от изгаряне, уверете се, че уредът е напълно охладен, преди да извадите копчето, позиция 1 на илюстрацията по-долу.*



2. Монтирайте дренажния конектор в дренажната тръба.

3. Поставете основата на уреда върху подходяща стабилна маса, след това поставете силиконовата тръба в съд, напълнете резервоара за вода и го поставете обратно на мястото му (вижте Фиг. 4). Уверете се, че уредът е разположен стабилно.

Номер	Описание
1	Силиконова тръба
2	Съд
3	Стабилна маса



Фиг.4

4. Свържете уреда към електрическата мрежа, натиснете бутона за захранване, след това натиснете и задръжте „Бутон за отстраняване на котлен камък“ и „Спусък за пара“ едновременно за около 1 секунда. В този момент може да се чуе еднократен звуков сигнал и индикаторът за отстраняване на котлен камък започва да мига, след което уредът започва да почиства парогенератора. Парата и котленият камък изтичат от него. Около 3 минути по-късно се чува еднократен звуков сигнал, индикаторът за отстраняване на котления камък изгасва и уредът се изключва автоматично.

БЕЛЕЖКА: Не докосвайте и не се доближавайте до съда по време на почистването, за да не се опарите.

5. Изключете от електрическата мрежа и извадете резервоара за вода, след това поставете ютията на равна повърхност. Обърнете основата на уреда и я поставете на равна повърхност, после завъртете копчето по посока на часовниковата стрелка, за да го затегнете и монтирайте дренажния конектор добре на място. Накрая обърнете основата на уреда и поставете ютията върху термоизолационната стойка на основата.

ПОЧИСТВАНЕ И ПОДДРЪЖКА

Преди почистване първо изключете от електрическия контакт и оставете уреда да се охлади.

1. Забършете всички остатъци и други отлагания от гладещата плоча с влажна кърпа и неабразивен (течен) почистващ препарат.

БЕЛЕЖКА: *Не използвайте химически, стоманени, дървени или абразивни почистващи препарати, за да стържете гладещата плоча.*

2. Почистете горната част на ютията с мека влажна кърпа. Избършете водните капки върху основата на уреда и термоизолационната стойка със суха кърпа.

3. Извършете автоматично почистване, като следвате процедурата, описана във „**ФУНКЦИЯ ЗА АВТОМАТИЧНО ПОЧИСТВАНЕ**“, когато светне индикаторът за отстраняване на котлен камък.

4. Когато няма да използвате уреда за дълго време, излейте водата от резервоара, завъртете регулатора на температурата на минимална настройка и поставете ютията

върху термоизолационната стойка. След това натиснете ключалката на ютията в заключено положение, за да заключите ютията добре.

Бележка: *Целият парогенератор може да бъде вдигнат, като хванете дръжката на ютията, след като ютията е правилно заключена в основата на уреда.*

5. Когато не се използват, маркучът за подаване на пара и захранващият кабел могат да се сгънат и да се приберат в съответните отделения за съхранение. След това приберете уреда на място недостъпно за деца.

СЪВЕТИ ЗА ГЛАДЕНЕТО

- Винаги първо проверявайте дали дрехата има етикет с инструкции за гладене. При всички случаи следвайте тези инструкции за гладене.
- Ютията се загрява по-бързо, отколкото се охлажда, затова трябва да започнете гладенето с дрехите, изискващи най-ниска температура като тези от синтетични влакна.
- Ако тъканта се състои от различни видове влакна, винаги трябва да избирате най-ниската температура спрямо състава на тези влакна.
- Тъканите от синтетични влакна и коприна трябва да се гладят от вътрешната им страна, за да се избегне поява на лъскавина.
- Кадифе и други текстури, които бързо стават лъскави, трябва да се гладят в една посока с лек натиск. Поддържайте ютията в движение във всеки един момент.
- Чистите вълнени тъкани (100% вълна) могат да се гладят с парната ютия. За предпочитане е да поставите регулатора на температурата на трета позиция и да гладите през суха кърпа.
- Никога не гладете върху цип или нитове в плата. Това ще повреди гладещата плоча. Гладете около тези елементи.

ЕКОЛОГИЧНО ИЗХВЪРЛЯНЕ



Вие можете да помогнете за опазването на околната среда!

Не забравяйте да спазвате местните разпоредби: предайте неработещото електрическо оборудване в подходящ център за изхвърляне на отпадъци.