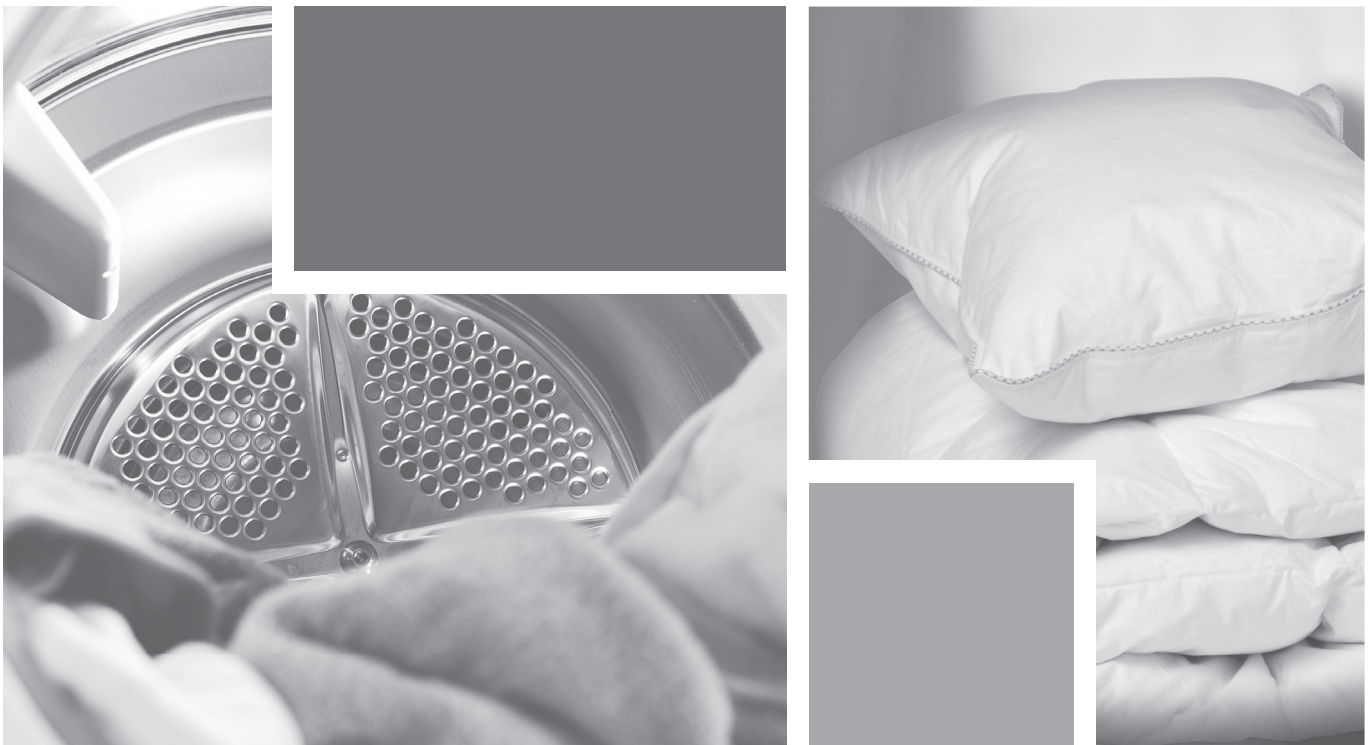


Dear Customer,

Thank you for choosing this quality product from ASKO. We hope it will meet your expectations and fulfil your needs for many years to come. Scandinavian design combines clean lines, everyday functionality and high quality. These are key characteristics of all our products and the reason they are greatly appreciated throughout the world.

To get the most out of your new machine, we recommend that you read the operating instructions before using the machine. The operating instructions also include information on how you can help protect the environment.



Operating Instructions

Tumble dryer
ASKO PROFESSIONAL TDC145VS

WARNING: Read the instructions before using the machine.

CONTENTS

BEFORE USING YOUR MACHINE FOR THE FIRST TIME	3	CARE AND CLEANING	13
Language selection	3	Cleaning the lint filter	13
Laundry labels	3	Cleaning the outside of the machine	13
SAFETY INSTRUCTIONS	4	TROUBLESHOOTING	14
General	4	The machine will not start	14
Safety	5	The machine loses all power during a program	14
Installation	5	Drying takes too long	14
Packing material	5	Error messages	14
Recycling	5	TECHNICAL INFORMATION	15
Child safety	6	Technical data	15
Child-safe start	6	SERVICE	16
DESCRIPTION OF THE TUMBLE DRYER	7	Before contacting the service division	16
ADVICE AND TIPS BEFORE YOU TUMBLE-DRY	8	INSTALLATION	17
Have the clothes been spun?	8	Installation	17
Materials that can be tumble-dried	8	Installing the air exhaust system	17
Materials that must not be tumble-dried	8	Electrical installation	18
Static electricity	8	Connection on delivery	18
TUMBLE DRYING	9	Switch-over	18
Sort your fabrics	9	Coin operation	18
Select the programme	9	DOOR HANGING	19
Press the start button.	10	QUICK GUIDE	24
Drying programme finished	10		
Programme chart	11		
SETTINGS	12		
You can carry out the following settings	12		
How to choose the settings:	12		
Audible volume	12		
Language	12		
Child-safe	12		
Heater 2	12		

BEFORE USING YOUR MACHINE FOR THE FIRST TIME

LANGUAGE SELECTION

You will be prompted to select the display language when you have connected your machine and start it for the first time. Do as follows:

1. Turn the programme selector to choose from: US English, English, Svenska, Dansk, Norsk, Suomi, Français, Deutsch, Italiano, Español, Русский, Nederlands.
2. Press Stop to save the setting.

LAUNDRY LABELS

Certain materials are not suitable for tumbledrying. Always check and follow the instructions on each item's laundry label. You can find more information in the Advice and tips before you tumble-dry chapter.

NOTE!

When starting the tumble dryer for the first time or after a long period without use, you may notice a slight thumping noise. This noise is completely normal and will disappear after a few loads.



SAFETY INSTRUCTIONS

GENERAL



Read the operating instructions and keep them in a safe place!

- The machine may be used in public areas.
- Repairs and maintenance relating to safety or performance must be carried out by a qualified professional.
- The machine should only be used for tumble-drying as described in these instructions.
- Repairs and maintenance relating to safety or performance must be carried out by a qualified professional.
- Damaged mains cables must only be replaced by a qualified electrician.
- Sufficient ventilation is required to prevent smoke from open fires or fumes from equipment burning other fuels being sucked into the room when the tumble dryer is running.
- Do not dry dirty laundry in the tumble dryer.
- Items that are stained with e.g. cooking oil, acetone, alcohol, petrol, kerosene, stain remover, turpentine, wax and wax remover should be washed in hot water with extra detergent before they go in the tumbler dryer.
- Items such as foam rubber, latex, plastic, waterproof textiles, rubber-coated items and clothes and foam-rubber filled cushions must not be dried in the tumbler dryer.
- Fabric softener or similar products should be used as per the recommendations of the detergent manufacturer.
- This machine can be used by children aged 8 and upwards, and by people with reduced physical capacity, mental ability, memory loss or lacking experience and knowledge. These individuals must be supervised when using the machine or have instructions on how to use the machine and understand the risks that can occur.
- Children must be watched to ensure they do not play with the machine.
- Children under 3 years should be kept away from the machine unless they are not constantly supervised at all times.
- Remove all objects such as lighters and matches.



SAFETY INSTRUCTIONS

SAFETY

- The machine must not be used for drying items that have been dry-cleaned at home or fabrics that may contain residues of flammable liquids.
- The tumble dryer is protected by an overheating cut-out. This shuts off the machine if the temperature gets too high.
- The last part of the dryer cycle occurs without heat (cool down cycle) to ensure that the objects are in a temperature that ensures that items are not damaged.

⚠ CAUTION! HOT SURFACE!

When the tumble dryer is operating, the back of the tumble dryer will get very hot. Leave the machine to cool completely before touching the back.

⚠ WARNING!

Never stop the machine before the drying cycle end unless all items are quickly removed from the machine and spread out so that the heat is led away.

INSTALLATION

See the separate installation instructions.

PACKING MATERIAL

Please sort waste materials in accordance with local guidelines.

RECYCLING

This machine is manufactured and labelled for recycling. In order to prevent personal injury, the machine must be made inoperable after deciding to take it out of service. Contact your local authority for information about where and how your machine should be correctly recycled.



! SAFETY INSTRUCTIONS

CHILD SAFETY

! WARNING!

DO NOT ALLOW CHILDREN TO PLAY WITH THE TUMBLE DRYER.

- If the door is opened when a programme is running the garments may be very hot, with a risk of burn injuries.
- The tumble dryer does not start automatically when the door is closed (if a child pulls the door shut from the inside, for example).

CHILD-SAFE START

By activating the child-safe start function you can prevent children from starting the tumble dryer or changing the current programme.

See the Settings chapter.

ACTIVATING/DEACTIVATING CHILD-SAFE START.

Do as follows to open the settings menu:

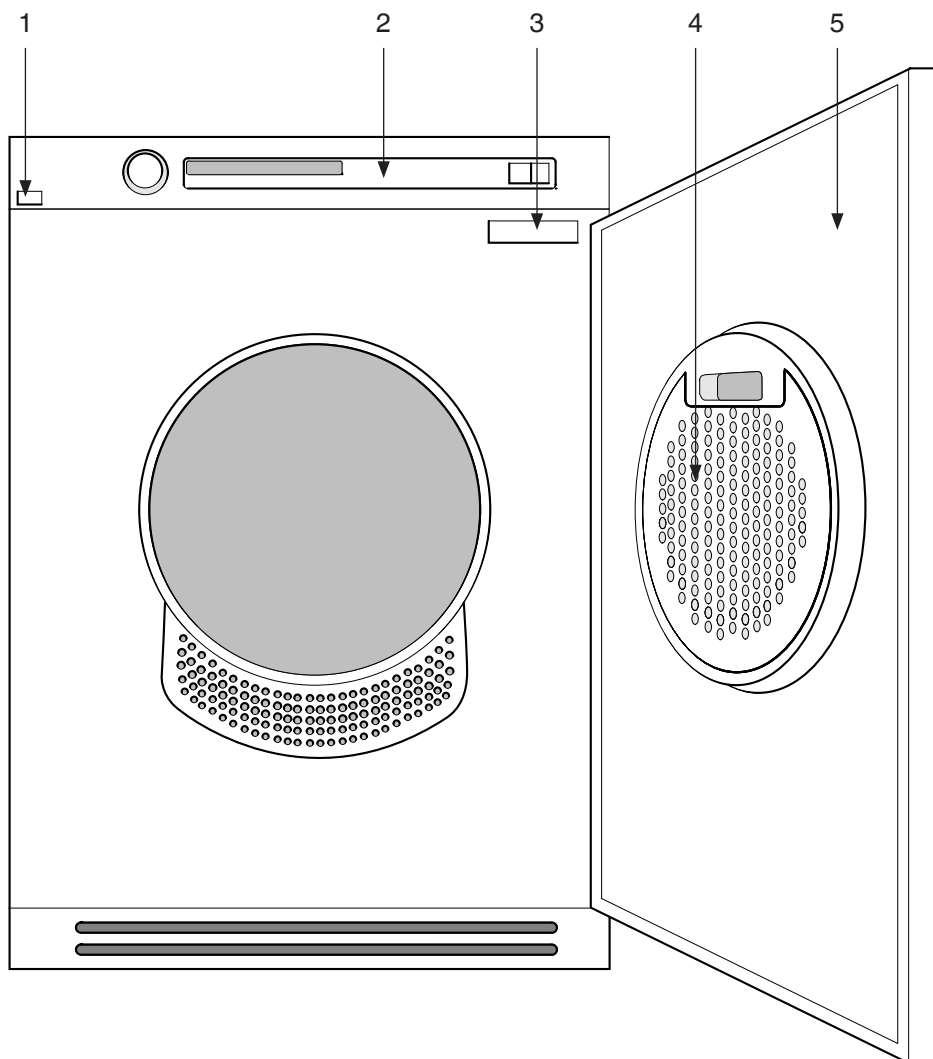
1. Turn off the machine using the main power switch.
2. Press the Stop button and switch on the machine with the main power switch. Then press the Stop button 5 times within 10 seconds.
3. Select the setting you want to change by turning the programme selector.
4. Press the Stop button once.
5. Change and save the setting as described below.
6. Press the Start button to return to the programme menu.

You can activate the Child-safe start option to prevent children from starting the machine.

1. Turn the programme selector and choose Child-safe On or Child-safe Off .
2. Press the Stop button once to save the setting.

You can temporarily deactivate Child-safe start by pressing the Start and Stop buttons at the same time. Child-safe start will be deactivated for 3 minutes.

DESCRIPTION OF THE TUMBLE DRYER



1. Main power switch

2. Panel

3. Type plate

4. Lint filter

5. Outer door




ADVICE AND TIPS BEFORE YOU TUMBLE-DRY

Here are some tips that may help you before you begin tumble-drying.

HAVE THE CLOTHES BEEN SPUN?

Items to be tumble-dried should be spun at 1000 rpm or faster. Higher spin speeds save energy and reduce drying time.


MATERIALS THAT CAN BE TUMBLE-DRIED

 This symbol means that the material is suitable for tumble-drying. Fabrics best suited to tumble-drying are cotton fabrics, terry cloth and synthetic fibres. Garments will be softer and lighter when tumbled than when hung out to dry.

NOTE!

The tumble dryer does not cause any significant wear on fabrics. The lint that collects in the lint filter consists of dust and fibre residues formed when the items are used.

MATERIALS THAT MUST NOT BE TUMBLE-DRIED

 This symbol means that the material is not suitable for tumble-drying. Certain materials may melt or become a fire hazard if exposed to heat, and others can lose their shape or shrink.

And do not tumble-dry:

- materials labelled "Do not dry near heat".
- garments that have been dry-cleaned at home.
- plastic foam.
- fibreglass material.
- wool must not be tumble-dried because of the risk of felting.

STATIC ELECTRICITY

To reduce the risk of static electricity in the laundry after tumble drying you can:

- Use fabric softener when washing.
- Wait five minutes after the drying program ends before opening the door and removing the laundry from the dryer.

NOTE!

You can stop the tumble dryer by pressing the Stop button for three seconds or by opening the door. In both cases the programme is stopped and starts from the beginning if restarted. If you do not want to restart the programme then immediately remove all laundry and spread it out to allow the heat to dissipate.



TUMBLE DRYING

Below are step-by-step instructions to help you achieve the best possible tumble-drying results.

SORT YOUR FABRICS

You will achieve the most uniform drying results if the items are made of the same type of material. Do up zips and buttons, fasten belts, sort the items and adjust the load and temperature.

NOTE!

Do not overload the drum!

Overloading the dryer will result in poor drying results and wrinkling.

Press the main power switch until the display lights. Open the door, load the items and then close the door.

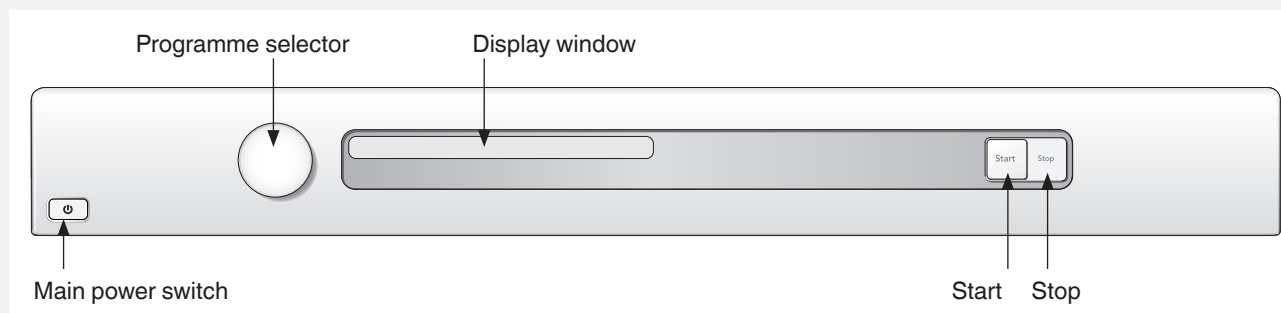
NOTE!

Make sure that objects e.g. detergent dispensing balls, have been removed from the laundry. They could melt and cause damage to the dryer or the laundry.

NOTE!

To save energy, always observe the maximum load for each programme (see Program chart)

SELECT THE PROGRAMME



Select a programme by turning the programme selector. The selected programme is shown in the display window.

Guidelines as to what specific programmes can be used for:

The Auto extra dry, Auto dry and Auto normal dry programmes have two temperature settings. Normal temperature but also low temperature for more delicate items.

Auto extra dry

Temperature normal. This programme is for items that are particularly difficult to dry, such as jeans with very thick seams.

Auto dry

Temperature normal. These programmes shut off the heat once the load is dry but before it is bone dry. The Auto dry programme shuts off the heat slightly later than Auto normal dry. Use trial and error to find out what works best.

Auto normal dry

Temperature normal. These programmes shut off the heat once the load is dry but before it is bone dry. The Auto dry programme shuts off the heat slightly later than Auto normal dry. Use trial and error to find out what works best.

Auto extra dry (low temperature)

Energy Save. This programme is for items that are particularly difficult to dry, such as jeans with very thick seams.

Auto dry (low temperature)

Energy Save. These programmes shut off the heat once the load is dry but before it is bone dry. The Auto dry programme shuts off the heat slightly later than Auto normal dry. Use trial and error to find out what works best.

Auto normal dry (low temperature)

Energy Save. These programmes shut off the heat once the load is dry but before it is bone dry. The Auto dry programme shuts off the heat slightly later than Auto normal dry. Use trial and error to find out what works best.

Auto iron dry (low temperature)

This programme shuts off the heat once the load is just damp enough for ironing or pressing.



TUMBLE DRYING

PRESS THE START BUTTON.

Remaining drying time

An estimate of the remaining drying time will be shown on the display a few minutes after the drying programme starts. For example, 1:35 means that it will take approximately 1 hour and 35 minutes for the load to dry. If the option Anti crease has been selected, the drum will rotate for three seconds per minute for two hours after the programme is finished. The actual remaining time may be longer than the estimated time shown on the display. The remaining time is then shown as 0:15 until the load is sufficiently dry. If you selected Time Saver the display will show 0:05 instead. You can stop the tumble dryer by pressing the Stop button for three seconds or by opening the door. In both cases the programme is stopped and starts from the beginning if restarted.

NOTE!

The programme will not be affected if you change the programme selector after the programme has started.

DRYING PROGRAMME FINISHED

The text Done appears on the display when the programme is finished. If the Anti crease option has been selected, the drum will rotate for three seconds per minute for two hours after the programme is finished..

Backlighting

Two minutes after the drying programme finishes the backlighting on the display and options buttons enters energy saving mode. Turn the programme selector if you want to activate the machine.

NOTE!

Clean the lint filter in the outer door after each load. See the Care and cleaning chapter.

⚠ WARNING!

If the lint filter becomes clogged, the machine's automatic overheating cut-out may be triggered. Clean the filter, wait until the machine has cooled then try starting it. If it still doesnot start: Call the service division.

Once drying has finished

Turn off the main power switch. Remove the clothes and close the door to prevent small children from climbing into the machine.



TUMBLE DRYING

PROGRAMME CHART

Here we present the energy and time consumption of a few different programmes. The table shows the effect of using different spin speeds when washing the load. Consumption can vary depending on room temperature, humidity, load, variations in the power supply and selected options.

For the consumption values given below, the requirements are as follows:

Temperature of intake air: 23 °C

Moisture content of intake air: 55%

Drying temperature: Normal

Programme	Material	Load	Spin speed (rpm)	Energy consumption, approx. (kWh)	Programme time, approx. (min)
Auto extra dry	Cotton, linen	1/1	800	6,5	75
			1000	6,0	70
			1200	5,1	65
			1400	4,9	60
Auto Dry	Cotton, linen	1/1	800	6,0	70
			1000	5,4	65
			1200	4,6	60
			1400	4,4	55
	Crease-resistant, polyester/cotton	1/2	1000	3,0	40
Auto Normal Dry	Cotton, linen	1/1	800	5,3	65
			1000	4,8	60
			1200	4,2	55
			1400	3,9	50
	Cotton, linen	1/2	1000	2,8	35
	Crease-resistant, polyester/cotton	1/2	1000	2,7	35
Auto Iron Dry	Cotton, linen	1/1	800	4,7	90
			1000	4,2	85
			1200	3,9	80
			1400	3,7	75



SETTINGS

YOU CAN CARRY OUT THE FOLLOWING SETTINGS

- Audible Volume
- Language
- Child-safe
- Heater 2

HOW TO CHOOSE THE SETTINGS:

Do as follows to open the settings menu:

1. Turn off the machine using the main power switch.
2. Press the Stop button and switch on the machine with the main power switch. Then press the Stop button 5 times within 10 seconds.
3. Select the setting you want to change by turning the programme selector.
4. Press the Stop button once.
5. Change and save the setting as described below.
6. Press the Start button to return to the programme menu.

AUDIBLE VOLUME

1. Turn the programme selector and choose Buzzer On or Buzzer Off to set whether the tumble dryer should audibly indicate that the programme is finished or that an error has occurred.
2. Press the Stop button once to save the setting.

LANGUAGE

You will be prompted to select the display language when you have connected your machine and start it for the first time.

Do as follows:

1. Turn the programme selector and choose from: US English, EU English, Svenska, Dansk, Norsk, Suomi, Français, Deutsch, Italiano, Español, Русский, Nederlands.
2. Press the Stop button once to save the setting.

CHILD-SAFE

You can activate the Child-safe start option to prevent children from starting the machine.

1. Turn the programme selector and choose "Child-safe start on" or "Child-safe start off".
2. Press the Stop button once to save the setting.

You can temporarily deactivate Child-safe start by pressing the Start and Stop buttons at the same time. Child-safe start will be deactivated for 3 minutes.

HEATER 2

1. Turn the programme selector and choose "Heater 2 On" (5000W/16A) or "Heater 2 Off" (3000W/10A) to increase or decrease the heat output.
2. Press the Stop button once to save the setting.

NOTE!

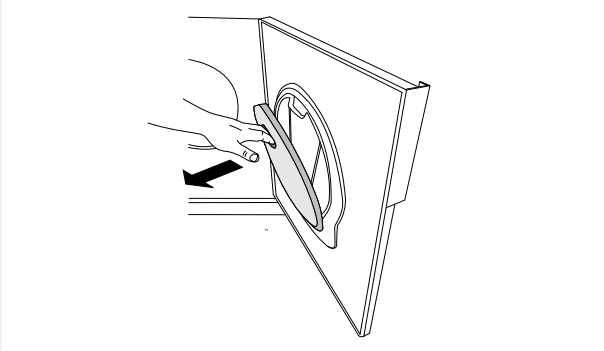
The switchover must be performed by a qualified electrician.

CARE AND CLEANING

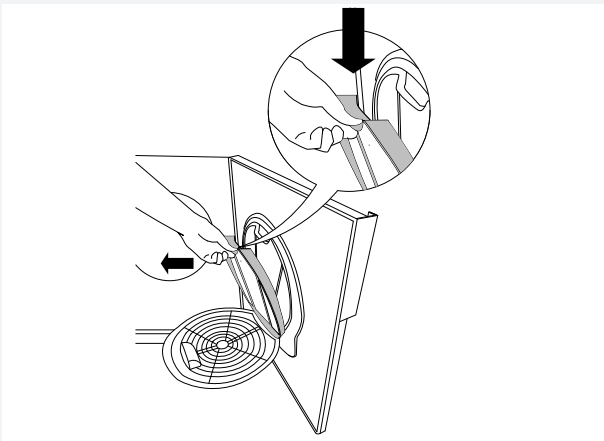
CLEANING THE LINT FILTER

The lint filter must be cleaned after each load.

1. Grasp the filter holder handle and pull it towards you to open the lint filter.



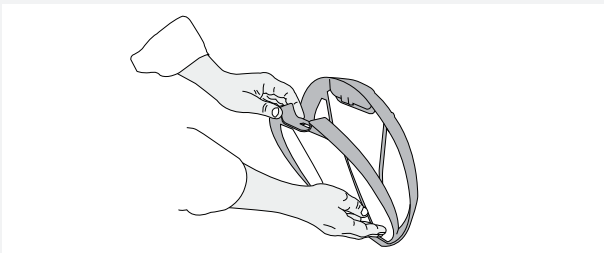
2. Open the lint filter. Use your thumb to press on the edge as illustrated and pull it out.



3. Use your hand or a soft cloth to remove the lint from all sides of the filter. If necessary, use a damp sponge and a small amount of washing-up liquid to remove any deposits. Dry the filter thoroughly with a towel.

NOTE!

Clean the surface of the lint (fluf) filter after each drying program.



4. To close the lint filter, follow the reverse order of steps used for opening. Then, replace the filter by sliding it back into the door. Close the lint filter before closing the door.

NOTE!

Clean the filters after each drying.

Do not replace the filters if they are damp or wet. Damp or wet filters could cause operational faults.

NOTE!

The dryer should never be operated without the filters in place, or with damaged filters as excessive amount of accumulated fibres from the fabric could cause malfunction or failure of the dryer.

CLEANING THE OUTSIDE OF THE MACHINE

Clean the outside of the machine and the programme panel with a mild cleaner. Do not use solvents, as these can damage the machine. Do not hose down or spray the machine with water.

NOTE!

Do not allow dust to accumulate around the machine. Keep the area around the tumble dryer clean and cool; dust, heat and moisture prolong drying times.



TROUBLESHOOTING

NOTE!

When starting the tumble dryer for the first time or after a long period without use, you may notice a slight thumping noise. This noise is completely normal and will disappear after a few loads.

THE MACHINE WILL NOT START

Check

- that the door is properly closed.
- that the main power switch is on.
- that the Delayed Start option has not been selected. To cancel Delayed Start, press the Stop button for 3 seconds.
- that the plug is connected.
- that the main fuses have not blown.
- that the overheating cut-out has not been triggered.

⚠ WARNING!

If the lint filter not is cleaned regularly, the machine's automatic overheating cut-out may be triggered because of to high temperature. The heaters in the machine will then switch off and the drum will continue to spin to cool down the machine.

Call the service division if:

- Heating fault appears on the display.
- Max program time is shown frequently in the display and the laundry does not get dry.

THE MACHINE LOSES ALL POWER DURING A PROGRAM

The overheating cut-out shuts off the tumble dryer if the temperature is too high, e.g. because dust is clogging the lint filter.

- Clean the lint filter
- Wait until the machine has cooled then try starting it. If it still does not start: Call the service division.

DRYING TAKES TOO LONG

- Check that the lint filter is not blocked. See the Care and cleaning chapter.

ERROR MESSAGES

- Read Drying takes too long in this chapter if Max program time appears on the display.
- If Clean Lint Filter appears on the display, clean the lint filter.
- Call the service division if Thermistor fault appears on the display.
- Press the Stop button to close any error messages.



TECHNICAL INFORMATION

TECHNICAL DATA

Height:	850 mm
Width:	595 mm
Depth:	745 mm
Weight (net):	45 kg / 46,4 kg (depending on model)
Cylinder volume:	145 l
Max. drying capacity:	8 kg
Speed:	50-55 rpm
Sound pressure level:	The sound pressure level is below 66 dB(A)
Rated power:	See type plate.
Drum material:	Stainless steel
Outer casing material:	Powder-coated and hot-galvanized sheet steel or stainless steel
Setup:	Stacking or freestanding

Test method for noise measurement: IEC 60 704-2-6.

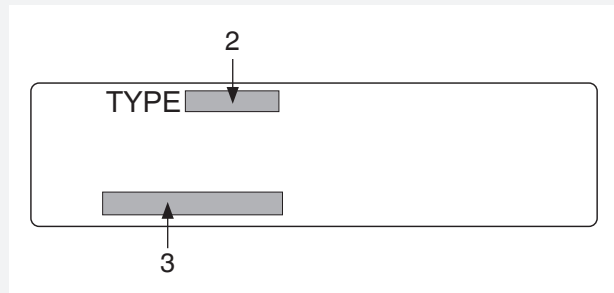
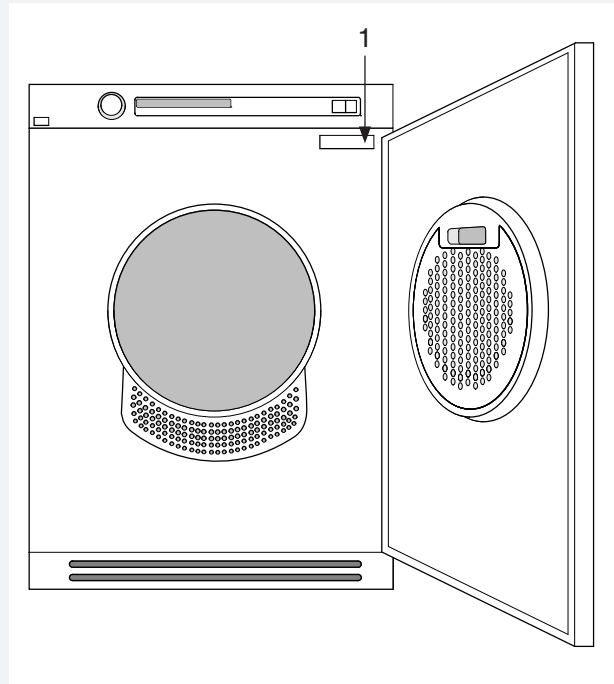
SERVICE

BEFORE CONTACTING THE SERVICE DIVISION

See the Troubleshooting and Care and cleaning chapters to see whether you can rectify the problem. If you need to contact the service division, make sure that you know the model designation, type designation and serial number. The model designation (1) can be found on the first page of the operating instructions and on the machine panel. The type designation (2) and serial number (3) can be found on the type plate, which is found on the front of the tumble dryer inside the outer door.

NOTE!

For repairs and maintenance, original spare parts must be used.



NOTE!

Repair or any warranty claim resulting from incorrect connection or use of the dryer shall not be covered by the warranty. In such cases, the costs of repair shall be charged to the user.

INSTALLATION

INSTALLATION

See the separate installation instructions included in the set of documents.

NOTE!

Do not install the machine in a room where there is a risk of frost occurring. At temperatures around freezing point the machine may not be able to operate properly.

The room in which the appliance is installed should be adequately ventilated, with temperature between 15°C and 25°C.

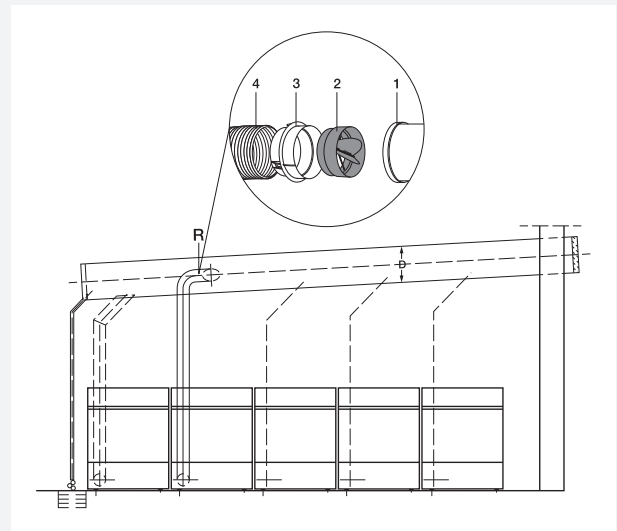
INSTALLING THE AIR EXHAUST SYSTEM

If several tumble dryers are connected to an air exhaust system, a non-return flap valve (R) **has to be** installed for each dryer. Installing a non-return flap valve will prevent air backflow into the dryer.

To install the non-return flap valve, some extra equipment is required:

- Exhaust connection (1), non-return flap valve (2), adapter piece (3), flexible exhaust duct (4)

Non-return flap valve and the adapter piece are not supplied with the appliance and should be purchased extra at a specialized store.



NOTE!

Please ensure the non-return flap valve is cleaned regularly.

Up to five tumble dryers can be connected to an air exhaust system.

If between two and five tumble dryers are connected to an air exhaust system, the diameter of the exhaust duct (D) should be increased:

- 2-3 dryers → $D \times 1.25$
- 4-5 dryers → $D \times 1.5$



INSTALLATION

ELECTRICAL INSTALLATION

Connect the machine by plugging it into an earthed wall socket. The electrical wall socket must be placed outside of the installation area to be easily accessible.

CONNECTION ON DELIVERY

- 400 V, 3-phase, 16 A
- 50 Hz
- Heat output 5000W
- Use a type A residual-current device.

NOTE!
Do not connect the machine to the mains electricity supply by an extension lead.

SWITCH-OVER

The switchover must be performed by a qualified electrician.

See the Settings chapter.

COIN OPERATION

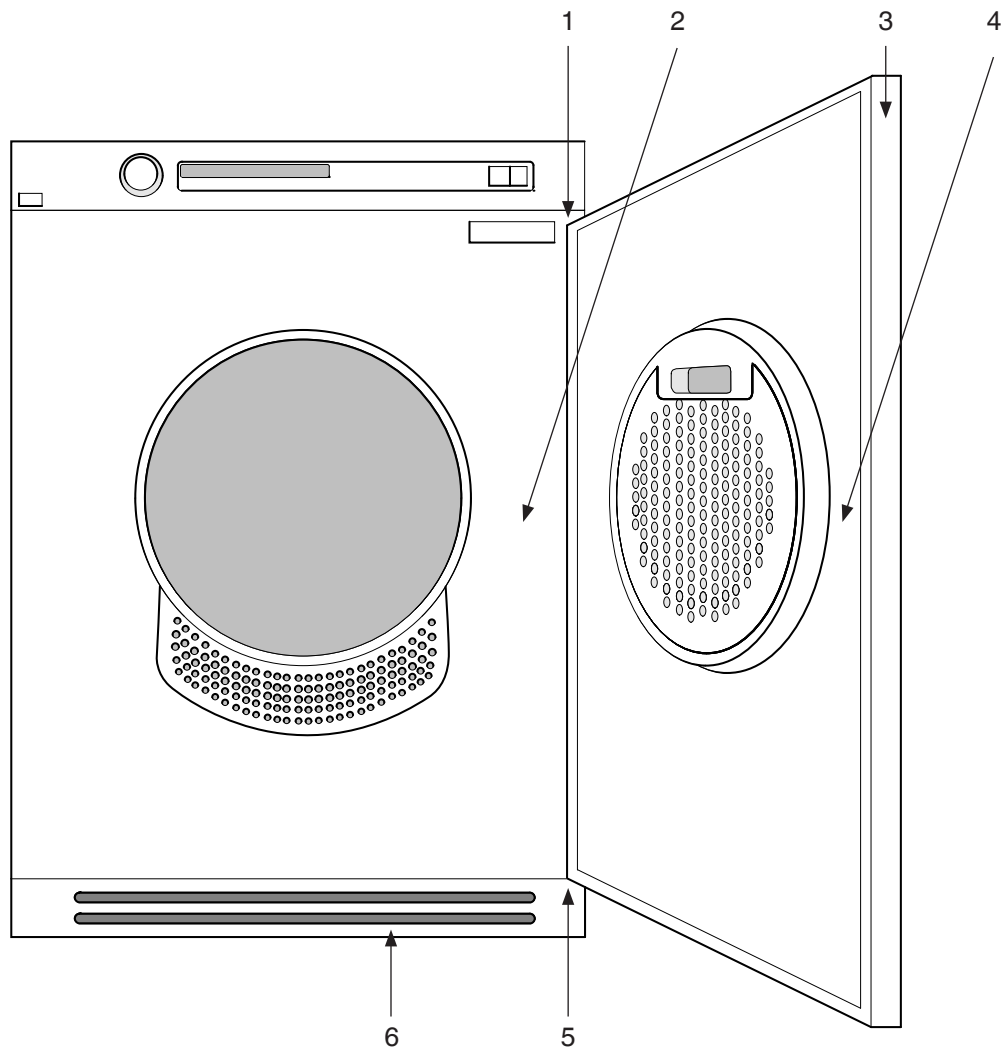
The machine is prepared for coin operation. Such installation must be carried out by a qualified professional.

The installation requires a connection cable to power the coin meter. This connection cable can be ordered using the factory art. no. 92 090 95.

The coin meter shall be able to short circuit two signal lines for periods of up to 10 minutes. This is to give the user time to load the machine, choose a programme and start the programme after putting the coins in.

“Insert coin” appears on the display when the machine is started with the main power switch.

DOOR HANGING



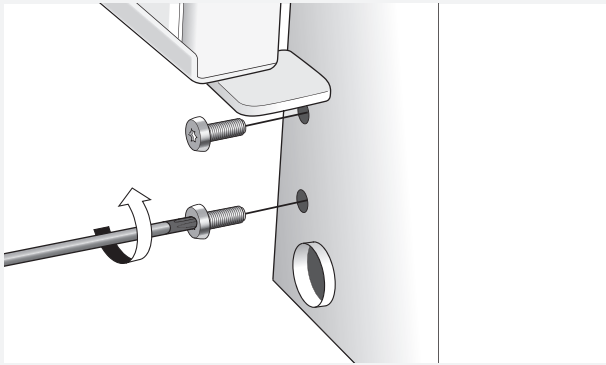
- | | |
|---|-------------------------------|
| 1. Hinge pins (top and bottom) | 4. Locking hook |
| 2. Cover plate | 5. Hinges (left + right side) |
| 3. Plastic plugs (on the upper and lower edges) | 6. Plinth |

DOOR HANGING

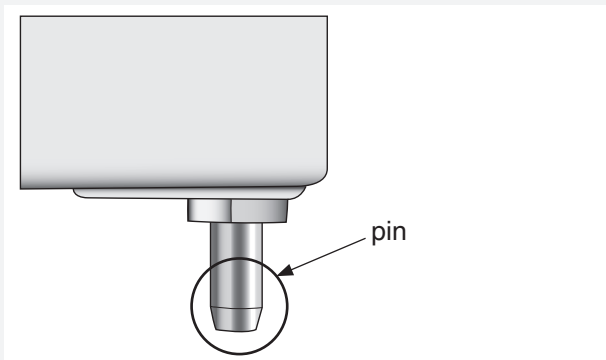
You can choose whether the door is hung on the right or the left.

Follow these instructions:

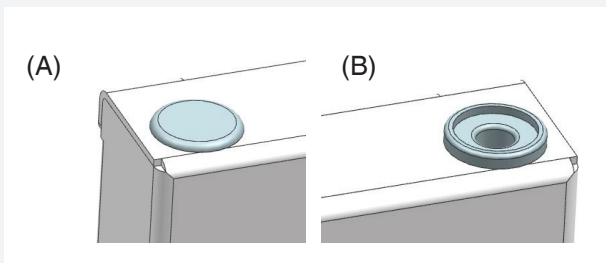
1. Remove the plinth.
2. Remove the hinge, two screws.



3. Lift the door up and remove it. Support the door at the same time.
4. Remove both door pins (top and bottom). Fit them on the other side of the machine. Refit the hinge.



5. Also change the hole plug (A) (on top) and the door hinge bushing (B) (at the top and on the bottom), and replace them on the other side of the door.

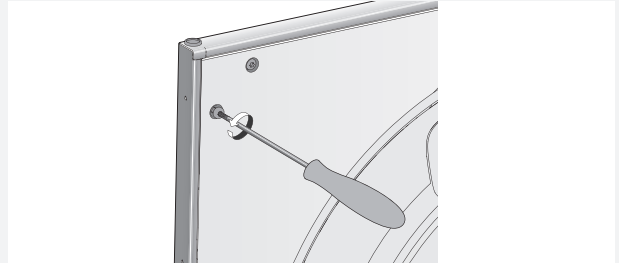


Use a flat-bladed screwdriver to remove the plugs.

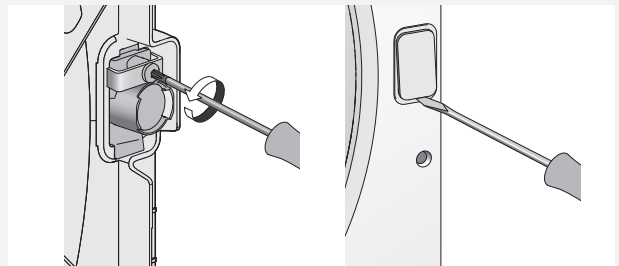
NOTA!

Be careful not to damage the appliance with the screwdriver.

6. Loosen the screws (13 in total) on the inside of the door.



7. Loosen the inner part of the door (pull down and lift out).
8. Switch the catch (magnetic lock) and the cover plate. First loosen the screw holding the catch (magnetic lock) in place. Then use a flat-bladed screwdriver to remove the cover plate. Refit the catch (magnetic lock) and the cover plate on the other side.



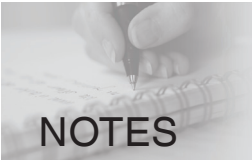
9. Reattach the inner part of the door with the screws (13 in total).
10. Loosen the two screws holding the handle in place on the door. Push out the two plastic plugs inside the screw holes on the other side of the door. Use the two screws to attach the handle to the other side of the door and press the plastic plugs into the holes where the handle was previously fitted.
11. Refit the door by loosening the hinge screws slightly, affixing the door and closing it. Retighten the hinges. Replace the plinth.



NOTES

A series of horizontal dotted lines for writing notes, spanning the width of the left column.

A series of horizontal dotted lines for writing notes, spanning the width of the right column.



NOTES

Lined area for notes on the left side of the page.

Lined area for notes on the right side of the page.

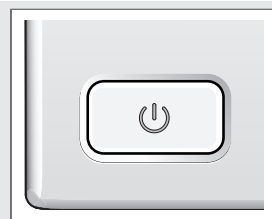


NOTES

A series of horizontal dotted lines for writing notes on the left side of the page.

A series of horizontal dotted lines for writing notes on the right side of the page.

QUICK GUIDE



1.

PRESS THE MAIN POWER SWITCH.
Load the garments and close the door.



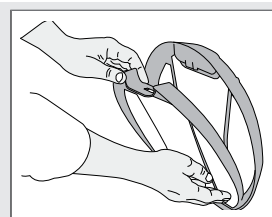
2.

SELECT A PROGRAMME AND ANY OPTIONS
Turn the programme selector to the required programme.



3.

PRESS THE START BUTTON



4.

DRYING PROGRAMME FINISHED

The text End appears on the display when the programme is finished.
Clean the lint filter after each load.
Turn off the main power switch.
Close the door.

We reserve the right to make changes.

ASKO

Gorenje, Partizanska 12, 3320 Velenje, Slovenija

www.asko.com