

USER MANUAL

Drying cabinet DC 7774V
DC 7784V

Read the user manual before using the machine.

Dear ASKO customer,

Congratulations on the choice you have made, and welcome to the ASKO family, a global family with its roots in Sweden.

We at ASKO thank you for your trust and hope that you will enjoy using your new drying cabinet.

A good drying cabinet should be well designed, dry clothes well, have a low environmental impact, be user-friendly, save time and energy, have a long service life and be reliable. ASKO meets all these requirements.

When you buy an ASKO product you can be sure that the inside is just as good as the outside and that the ethics and morality that go into manufacturing this product are just as high as the quality and function you are getting. That's what Swedish quality is all about.

Before using the product for the first time, please read the user instructions and the advice on caring for the product. This will help you get the best possible results from your product and all its functions.

If you have any questions, do not hesitate to call us or to contact us through our website.

Best wishes from Sweden and the ASKO team.

CONTENTS

IMPORTANT SAFETY INFORMATION	4	<i>Start automatic programme</i>	25
FOR A GOOD ENVIRONMENT	6	<i>Starting a manual programme</i>	25
<i>Packaging materials</i>	6	<i>Tips</i>	26
<i>Management of end-of-life drying cabinet</i>	6	SETTING DRYING PROGRAMMES	27
COMPONENTS	7	<i>Programming mode</i>	27
<i>Control panel</i>	8	<i>Parameter list</i>	28
<i>Setting</i>	9	<i>Adjustment</i>	30
PLACEMENT	10	<i>Procedure</i>	31
INSTALLATION	11	<i>Restoring to factory setting</i>	31
<i>Unpacking</i>	11	CARE	32
REHANGING OF DOOR	12	<i>Cleaning</i>	32
PLACEMENT	17	<i>Service</i>	32
<i>Evacuation / air supply</i>	18	OVERHEAT CUT-OUT	33
<i>Connection to evacuation</i>	18	TROUBLESHOOTING	34
<i>Electrical connection</i>	20	TECHNICAL DATA	35
BEFORE USING THE DRYING CABINET	21	<i>Energy consumption and drying times</i>	35
OPERATION	22		
<i>Arranging laundry for drying</i>	22		
<i>Cabinet equipped with coat hanger rack and shoe rack</i>	22		
<i>User tips</i>	22		
<i>Air flow</i>	22		
<i>Drying programmes</i>	23		
<i>Child lock</i>	24		

THIS USER MANUAL

The contents of this user manual describe the **function** and **operation** of the drying cabinet, as well as instructions for **installation** and **maintenance**.

IMPORTANT SAFETY INFORMATION

This drying cabinet meets applicable safety requirements. Incorrect use may, however, lead to injuries and damage to objects.

The advice and caution notices in this manual have been written to enable you to avoid incorrect use and unnecessary risks of accidents, and should be read before installing and using the drying cabinet.

CAUTION: This equipment is intended only to be used to dry fabrics washed in water.

■ **Applicable to installation in the EU**

The drying cabinet can be used by children over the age of 8 and persons (including children) with various disabilities or inadequate experience and knowledge, provided they are kept under supervision or are given instructions on how to use, clean and maintain the appliance in a safe way and understand the risks that use entails.

Children must not play with the appliance.

■ **Applicable to installation in countries outside the EU**

The appliance is not intended for use by persons (including children) with various disabilities or inadequate experience and knowledge.

They may use the appliance only under supervision or if they have received instructions on how to use the appliance from a person who is responsible for their safety.

Children must be supervised to ensure that they do not play with the appliance.



- **Applicable to all installation**

The drying cabinet must be installed and kept indoors.

If the power cord is damaged, it must be immediately replaced, and this must be done only by the manufacturer, the manufacturer's service agent or similarly qualified persons in order to prevent danger.

Follow ASKO instructions in repair and replacement of parts

FOR A GOOD ENVIRONMENT

PACKAGING MATERIALS

The packaging that protects the drying cabinet against damage in transit has been chosen with concern for the environment in mind and is therefore recyclable.

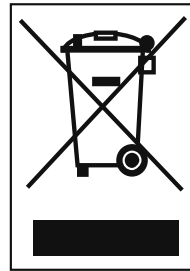
Packaging that is returned to the material cycle means reduced consumption of raw materials and a smaller volume of waste.

MANAGEMENT OF END-OF-LIFE DRYING CABINET

When the drying cabinet has reached the end of its useful life, it must be taken to a recycling centre for disposal.

Many parts of the drying cabinet can be re-used, but it also contains other material that must be handled correctly.

You should therefore never leave the drying cabinet or parts of the cabinet for collection with household waste, as this may lead to risks to health and cause damage to the environment.

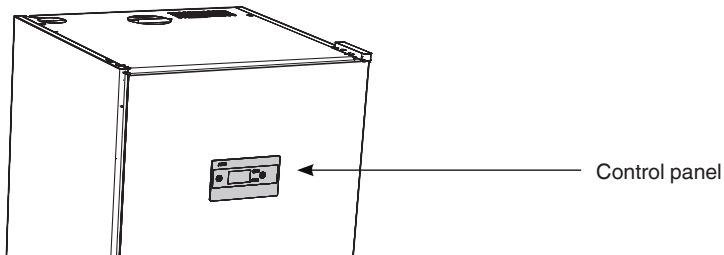
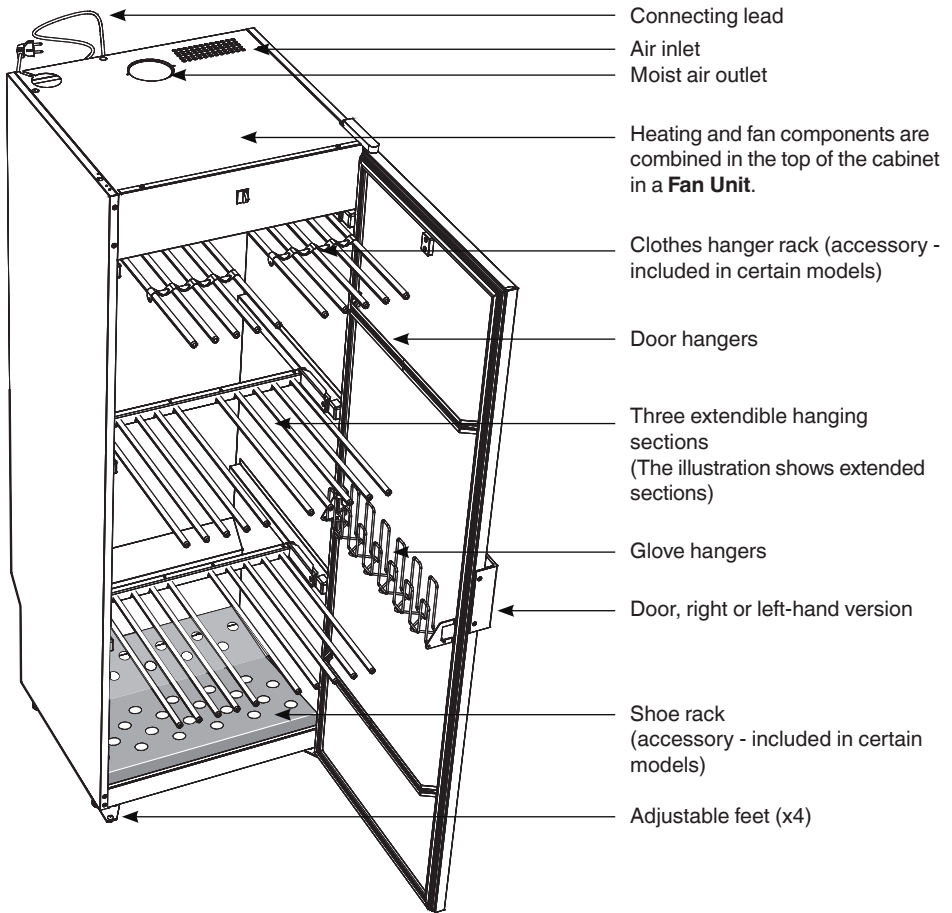


The end-of-life drying cabinet should instead be taken to a recycling centre. Check with your dealer if necessary.

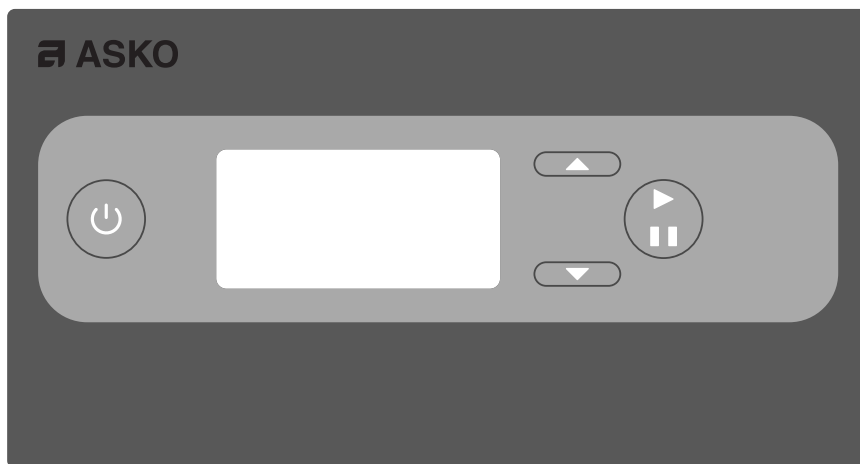
All the plastic parts of the drying cabinet are marked with internationally standardised symbols.

The parts of the drying cabinet can therefore be recycled in an environmentally sound manner by waste separation.

COMPONENTS



CONTROL PANEL



The drying cabinet is equipped with four automatic and four manual drying programmes suited to different types of clothing. The programmes are set using the buttons on the menu panel. Four languages can be handled.

BUTTONS



ON / OFF



START Starts and
STOP stops the drying programme
OK Confirms the selection of programmes, functions and settings



UP ARROW, increase values or browse between programmes.



DOWN ARROW, reduce values or browse between programmes.

DISPLAY

The display has two rows with 6 characters on each row. During the drying process the selected drying programme and a rolling bar indicating that the process is in progress are shown.

LANGUAGE

The following languages can be handled: English, Swedish, Norwegian, Danish, Finnish, Italian, French, German, Portuguese and Dutch.

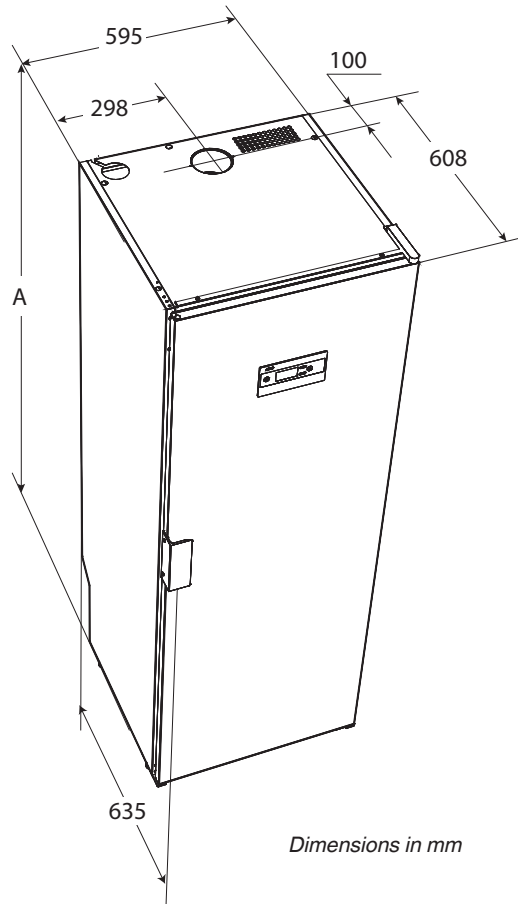
SETTING

- 1 Make sure that the **ON/OFF** switch on the drying cabinet is off. The display is unlit.
- 2 Hold down the **UP ARROW** and **DOWN ARROW** buttons and press the **ON/OFF** switch to the "ON" position. The display lights up and on the top row shows "P105" flashing, which is the parameter for language setting. If a different value is shown, use the **UP ARROW** or **DOWN ARROW** buttons to browse to the correct parameter.
- 3 Press **START/STOP** to confirm. The row for current language now flashes. The languages have a numerical symbol as shown in the list below.
- 4 Browse to the desired language with the **UP ARROW** or **DOWN ARROW** buttons.
- 5 To save the set value, press **START/ STOP**.
- 6 To return to operating mode, press **DOWN ARROW** and **START/STOP**.

Language symbol	Display language
0	English
1	Swedish
2	Norwegian
3	Danish
4	Finnish
5	Italian
6	French
7	German
8	Spanish
9	Portuguese
10	Dutch

PLACEMENT

- If the drying cabinet is to be installed connected to air exhaust ventilation, this must be available in the room.
- There must be an earthed socket within a distance of 2 m from the upper part of the drying cabinet. The drying cabinet has a 2 m long earthed lead with a plug connected.
- The power socket should be located such that there is no need for an extension cable.
- It must be possible to reach the socket easily after the drying cabinet has been installed.
- This must also be borne in mind if the drying cabinet is built into woodwork or similar. See also the section on 'Electrical connection'.
- The floor where the cabinet is located must withstand a weight of around 60 kg.
- The floor must be level with a max drop of 2.5 cm under the cabinet.
- The drying cabinet is intended only for installation indoors with a temperature above 0°C.
- The drying cabinet must not be placed in an environment in which high-pressure water is used for cleaning.



Cabinet designation	A mm
DC7774V	1700
DC7784V	1840

INSTALLATION

UNPACKING

CAUTION!

The drying cabinet must be handled carefully if it is standing unsupported on its pallet.

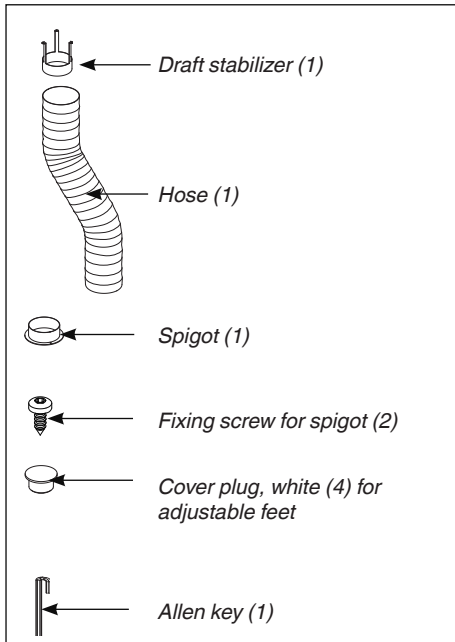
RISK OF TIPPING OVER

Make sure that the product has not been damaged in transit. Any damage incurred in transit must be reported to the dealer within 7 days.

Complete delivery must include:

- Cabinet with installed fan unit
- Assembly kit
- User Manual

ASSEMBLY KIT - for cabinet

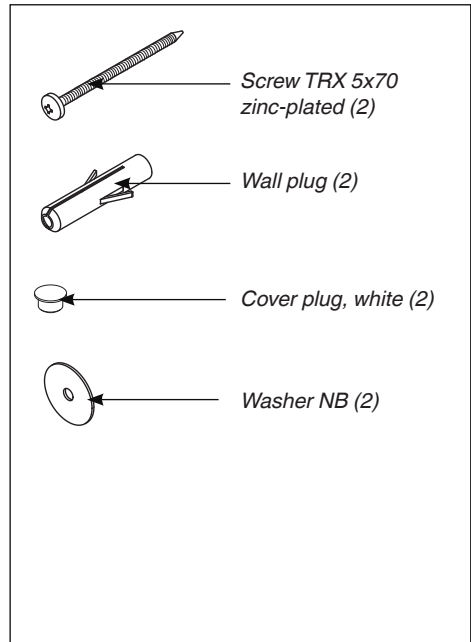


After unpacking, check that the product is intact. Damage, defects and any missing parts must be reported to the dealer immediately.

Check that all transport securing devices have been removed before connecting the drying cabinet.

Packaging materials such as plastic and Styrofoam should be kept out of the reach of children.

- for attachment to wall



REHANGING OF DOOR

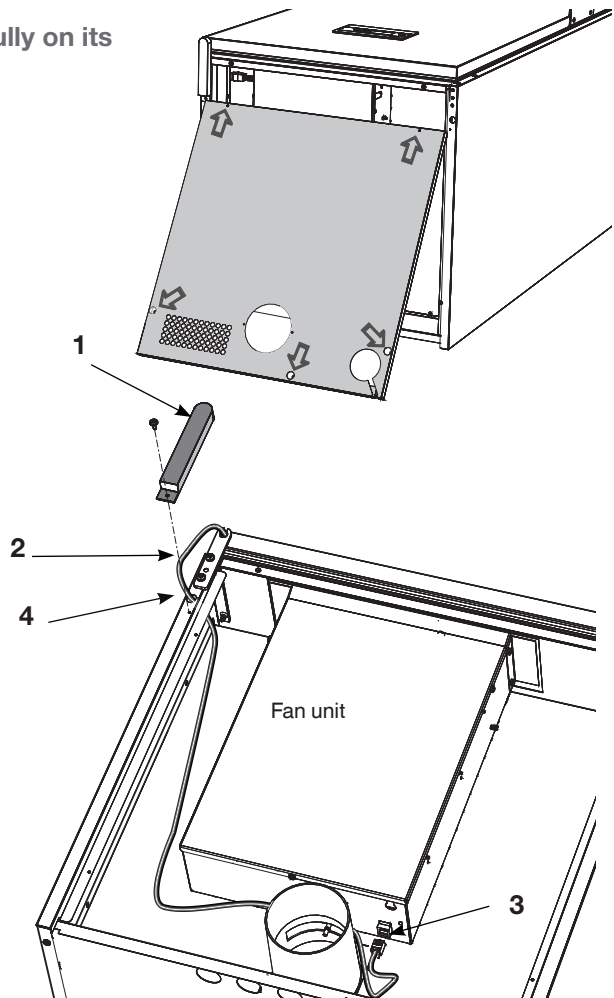
The pictures below illustrate rehangng from right-hung door to left-hung.

Rehangng kit

For rehangng, a rehangng kit must be ordered from the supplier of the cabinet. The kit consists of a new upper hinge, as the left and right hinges are not interchangeable. The kit also includes a control cable for fitting in the door with associated hinge bushing.

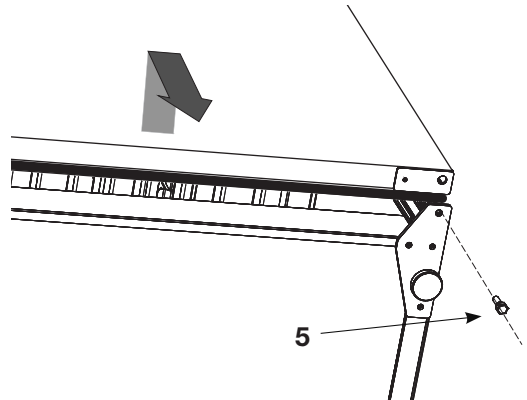
Lay the cabinet down carefully on its back.

- 1 Remove the cover in the top of the drying cabinet. This is attached with five screws at the marking arrows.
- 2 Remove the protective cover (1) of the upper hinge and release the control cable (2).
- 3 Separate the control cable from the fan unit with the quick connector (3) and pull the cable through the hole (4).



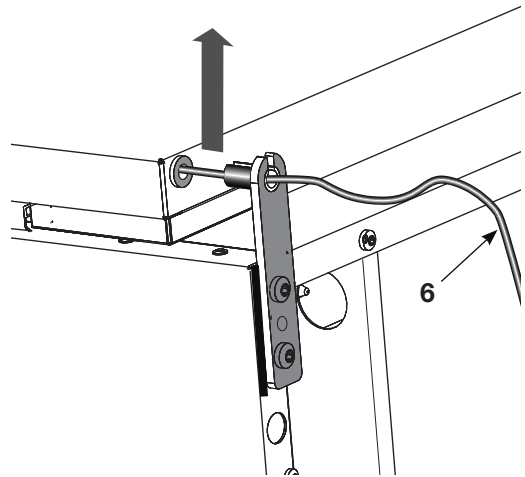
4 Unscrew the lower hinge pin (5).

Raise the door slightly from the bottom edge and detach it from the upper hinge, to the extent that the hinge pin is visible. The pin has a recess for the control cable.



5 Carefully pull the control cable (6) out of the recess in the hinge pin.

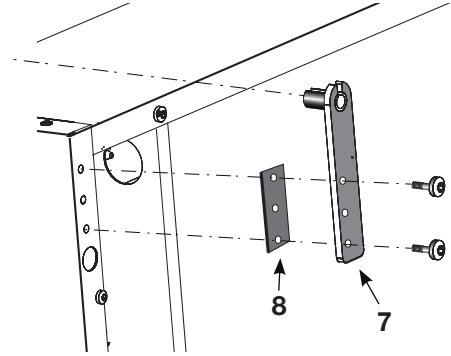
6 The door, together with the control cable, is now free and can be set aside.



Upper hinge joint with the door pulled down so that the hinge pin is freed

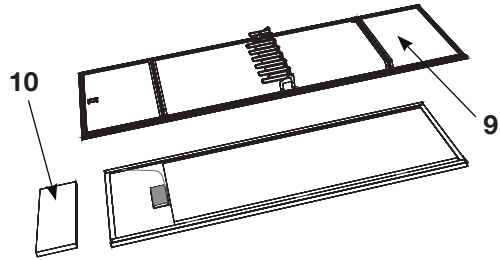
- 7 Detach the upper hinge (7) with hinge washer (8). **Discard the hinge.**
- 8 Install the new replacement hinge on the opposite side and move the hinge washer across.

The hinge forms part of the rehang- ing kit, which can be ordered from the sup- plier of the drying cabinet.

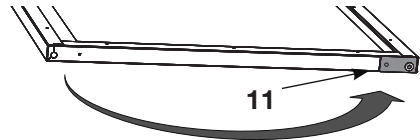


Re-attachment in the door

- 9 Lay the door down with the inside facing up on a non-damaging surface.
- 10 Detach the inner plate (9) with **magnetic strip, door hangers and glove hangers**. Screws are beneath the magnetic strips.
Remove the insulation (10).



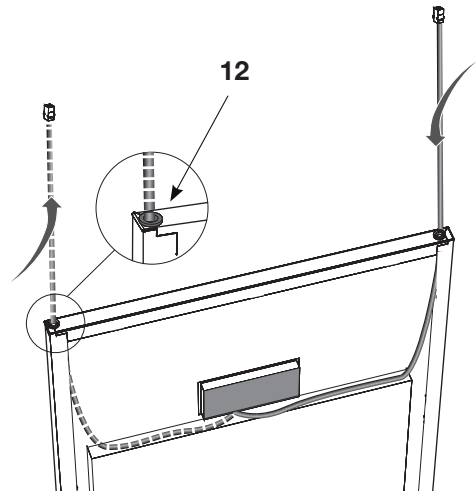
- 11 Detach and transfer the **reinforcement panel and lower hinge bushing (11)** in the door to the opposite side.



- 12 Detach existing control cable from control panel and pull cable out with hinge bushing (12). Discard the cable as there is a new complete cable in the rehanging kit.

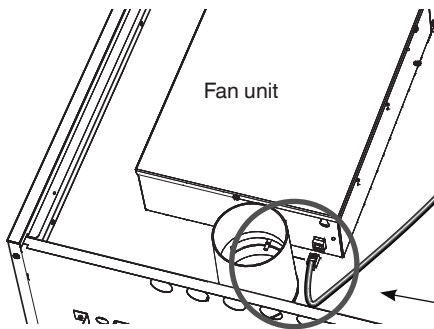
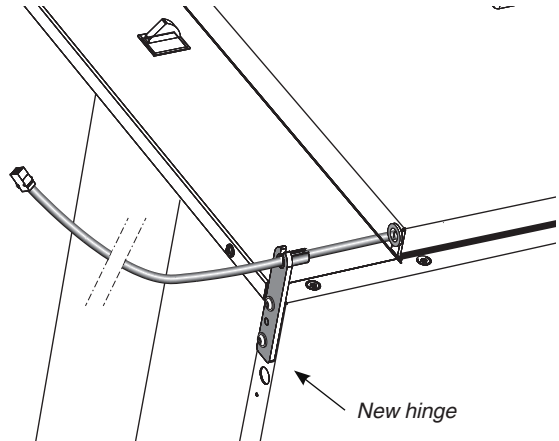
Fit the new cable on the opposite side - press the bushing firmly into the hole and connect the cable to the control panel outlet.

- 13 Move back the **insulation and inner plate** with **magnetic strips** and, if applicable, **hangers**.



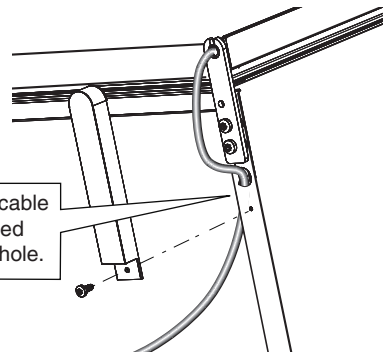
Lay the door in position

- 14 Introduce the operating cable through the recess in the new upper hinge and slide the door up on the hinge pin.
- 15 Install the lower hinge pin.
Make sure that the hinge pin is tightened firmly.
- 16 Connect the control panel (13) to the connector in the upper part of the drying cabinet.
- 17 Refit the drying cabinet cover which was removed under 1.



The control cable must be pulled through the hole.

13

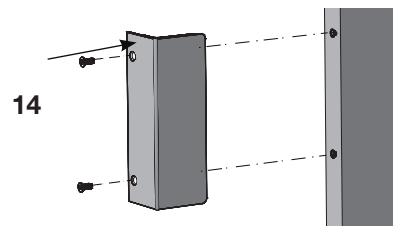


Transfer the door handle

- 18 Transfer the handle (14) to the other side. Fit the cover plugs for the old holes by hand. Cover plugs are supplied in the assembly kit.

CAUTION!

The drying cabinet must not be used without being attached to a wall owing to the risk of tipping over forward.



14

Raise the cabinet

- 19 Raise the cabinet and place it in position and **secure the cabinet to the wall.**

PLACEMENT

The drying cabinet is only intended for use indoors in a dry area.

Do not place the drying cabinet in an area where high-pressure water is used for cleaning.

LEVELLING

The drying cabinet must stand **level on a flat surface**, resting on all four feet. Use the Allen key supplied and adjust the feet from inside the cabinet. Press the four covering plugs firmly into the holes.

SECURING TO WALL

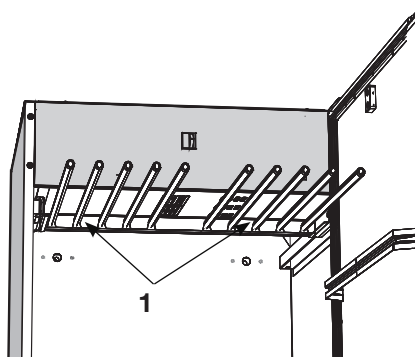
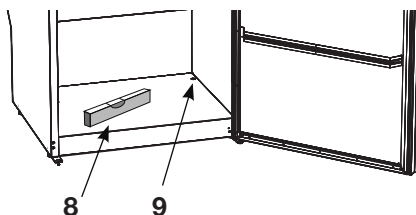
The cabinet must be **secured to a wall** to prevent it from tipping over.

- 1 Open the door, pull out the upper hanging section and drill 8 mm holes in the wall through the two pre-drilled holes in the Drying cabinet with extended upper hanger section rear of the drying cabinet (1).
- 2 Fit the plastic plugs in the wall (if necessary). Fit the screw with the flat washer as illustrated. Cover the holes with the cover plugs. Screws for fixing, washers and plastic plugs are provided in the assembly kit.

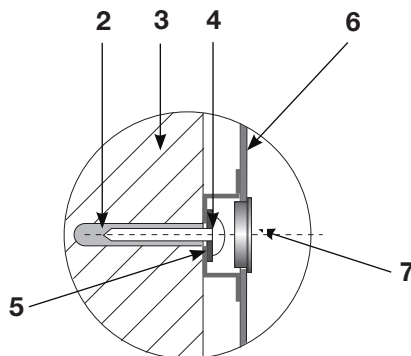


CAUTION!

The drying cabinet must not be used without being attached to a wall owing to the risk of tipping over forward.



Drying cabinet with extended upper hanger section



1. Pre-drilled holes
2. Wall plug
3. Wall behind drying cabinet
4. Fixing screws
5. Washer
6. Rear wall of drying cabinet
7. Cover plug
8. Spirit level
9. Cover plug

EVACUATION / AIR SUPPLY

When the cabinet is on, 45 m³ moist air per hour is evacuated. It must therefore be ensured that air can enter the room to replace the moist air that is vented out.

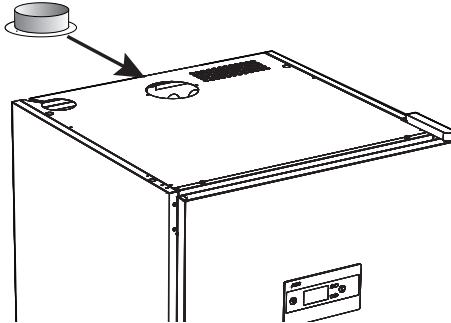
CONNECTION TO EVACUATION

The drying cabinet can be connected to the evacuation duct in **two ways**, either with a **draft stabiliser** or **permanently fitted to a mechanical exhaust ventilation unit**.

If the drying cabinet is to be connected to an existing ventilation system, a draft stabiliser must always be used, so that the general ventilation in the room is not affected.

Permanent fitting must only be carried out when a separate exhaust-air duct is routed to the drying cabinet, the air flow in the exhaust-air duct being adjusted to 45 m³ per hour.

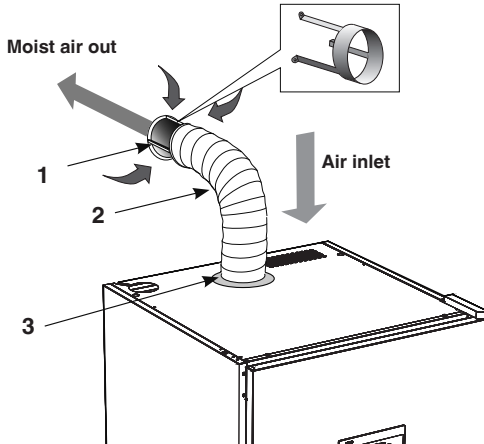
The drying cabinet has been tested and factory-set for connection with a draft stabiliser.



Place the supplied spigot over the hole on the top of the cabinet, insert the screws and secure the spigot.

WITH DRAFT STABILIZER

Fit the supplied hose onto the spigot. Connect the other end of the hose to the draft stabiliser and then secure this on the exhaust vent in the room.

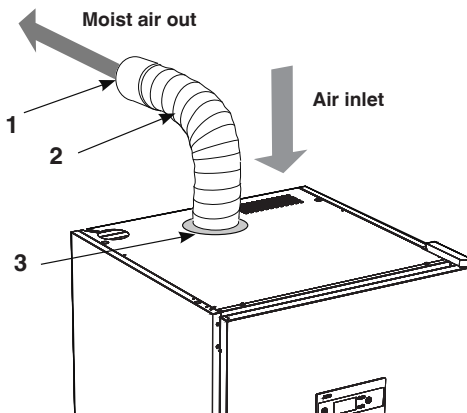


The drying cabinet must not be connected to a flue.

The air inlet must not be blocked.

1. Draft stabilizer
2. Flexible hose
3. Spigot

PERMANENTLY FITTED TO MECHANICAL EXHAUST AIR VENTILATION UNIT



When the cabinet is permanently connected to a ventilation duct, the whole room is ventilated through the drying cabinet.

Connect the hose to the adapter between the hose and the ventilation duct.

The air inlet must not be blocked.

Adapter is not supplied.

1. Adapter
2. Hose
3. Spigot

ELECTRICAL CONNECTION

The drying cabinet is connected to a 230 V single-phase 50-60 Hz and protectively earthed wall socket.

Fuse 10 A.

The drying cabinet is supplied ready for connection with a cable and an earthed plug.

The drying cabinet should be connected to an earthed wall socket using the connecting cable supplied and must not be permanently wired.

The socket should be located so that the plug can be easily pulled out if necessary.

Check that the supply current matches the data on the rating plate and that the mains lead is earthed correctly according to current standard. We recommend that the power cord be fitted with a **residual current device (RCD)**.

The drying cabinet must be connected to a dedicated circuit.

Do not connect the drying cabinet to the power supply with an extension lead as the necessary safety cannot be guaranteed (risk of overheating).

The manufacturer disclaims all liability if the electrical connection has not been carried out in the way described in this use and care manual.



CAUTION!

A damaged connecting cable may only be replaced with a special connecting cable of the same type (can be ordered from Asko's spare parts department). For safety reasons, the replacement may be carried out only by a qualified electrician or by Asko Service.

BEFORE USING THE DRYING CABINET



Read this User Manual before starting the drying cabinet.



CAUTION!

Read the safety instructions on page 4 before using the cabinet.

- Make sure that the cabinet is firmly attached to the wall. See page 17.
- Make sure that no packaging material has been left behind.
- Use a mild detergent with hot water and wash the inside and outside of the drying cabinet. Dry carefully. See also the 'Care' section later in the manual.

OPERATION

ARRANGING LAUNDRY FOR DRYING

There are three sections with hangers in the cabinet. Each section has a number of rails for hanging laundry.

- Hang the items in the drying cabinet according to how much space they require - not according to their weight.
- For most efficient drying, do not lay item flat on the upper hanger section.
- Long items of clothing closest to the walls of the cabinet and shorter items towards the centre of the cabinet. The most efficient drying results are achieved by hanging the items in this way.
- Fold up the two bottom hanger sections if long items are to be dried.
- Hang gloves, caps, scarves and similar items on the door hangers/glove hangers on the inside of the door.
- To make it easier, extend the hanger section when hanging laundry.
- Do not overload the drying cabinet. If you do, the laundry will become creased and dry unevenly. Instead, leave a space between the items of clothing if possible.
- If there is a risk of particular items shedding colour, free space should be left around them.
- Avoid drying heavy items of clothing together with lighter items as they have very different drying times.
- Do not hang knitted items. These will stretch unnecessarily as they are heavy when wet.

CABINET EQUIPPED WITH COAT HANGER RACK AND SHOE RACK

- For more efficient drying, hang shirts, jackets, etc. on clothes hangers and hang these on the clothes hanger rack.
- Use the shoe rack for more efficient drying of shoes.

USER TIPS

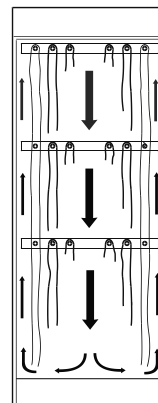
- Always following the laundry instructions on the item of clothing if present.
- If a fabric conditioner or anti-static agent is used, follow the manufacturer's instructions for use of this product.
- Remove laundry that it is already dry. This will reduce drying time for remaining laundry.

AIR FLOW

The illustration shows the air flow in the drying cabinet.

Keep the area around the evacuation duct clear of dust and dirt.

Make sure that the air intake and exhaust duct are not blocked.



When the cabinet is cold it may happen that the sealing strip of the door does not close completely. However, this is fully compensated when the cabinet is operating with heat as the sealing strip expands.

DRYING PROGRAMMES

This drying cabinet is equipped with **automatic programmes** and **manual drying programmes** for efficient drying of fabrics of different kinds.

The automatic programmes automatically switch off the drying process when the fabrics are dry. During the last 10 minutes, the heat is switched off while the fan cools down the fabrics (cool-down period).

The **manually time-controlled programmes** stop after a set time has been counted down. Cooling also takes place in the last 10 minutes of drying time in this case.

AUTOMATIC PROGRAMMES

- **Aut 40° Normal dry.** Used for drying items of normal thickness.
- **Aut 40° Extra dry.** Used for drying thicker items, deep drying.
- **Aut 60° Normal dry.** Used for drying items of normal thickness.
- **Aut 60° Extra dry.** Used for drying thicker items, deep drying.

40° or 60° is selected taking account of the washing instructions for the item.

MANUAL PROGRAMMES

- **Man 30°.** A time-controlled drying programme that should be selected for sensitive fabrics that should not be exposed to temperatures above 30°.
- **Man 40°.** As above, but a somewhat higher drying temperature is allowed.
- **Man 60°.** As above, but the fabrics can be dried at max. 60°.
- **Man --.** This is a very energy-efficient drying programme without heat, only the fan dries the laundry.

30°, 40° or 60° is selected taking account of the washing instructions for the item.



It is very important to follow the laundry instructions for the fabrics concerned when selecting the drying programme.

CHILD LOCK

To make sure that the drying process is not interrupted or started by mistake, a child lock function can be activated.

FUNCTION OF THE CHILD LOCK

Activation buttons must be held down for a least 3 seconds (delay time).

ACTIVATION/DEACTIVATION OF CHILD LOCK

The child lock is activated and deactivated via a setting parameter described on page 28. When this function is activated, a clock symbol appears on the display.

START AUTOMATIC PROGRAMME

Start the cabinet by pressing **ON/OFF**.

The display lights up and shows the last programme used.

E.g. *AUT 40° NORMAL DRY*

The text flashes.

If this is OK - **press OK**

and the process will then start.

– or select another programme with **UP / DOWN ARROW + OK** and the process will then start.

STARTING A MANUAL PROGRAMME

Start the cabinet by pressing **ON/OFF**.

The display lights up and shows the last programme used

e.g. *MAN 40°*

The text flashes.

If this is OK - **press OK**

the default or last used drying time flashes,

e.g. *2:30* (two hours, 30 minutes)

If this is OK - **press OK**

the process starts at once, in this example, Man 40° programme where the time is counted down from 2½ hours.

– or select a different drying time with **UP ARROW** (increases drying time) **DOWN ARROW** (reduces drying time) + **OK** the process starts with a Man 40° programme with a new drying time.

A different manual drying programme is selected in the same way as above.

If the child lock is activated, hold this button down for at least 3 seconds.

FACTORY-SET DRYING TIMES FOR MANUAL PROGRAMMES

Man 30° 2:30 (two hours, 30 minutes)

Man 40° 2:30

Man 60° 2:30

TIPS

- If you have made a mistake or are unsure where you are, you can always press **ON/OFF** and start selecting drying programme again.
- If the door is open when a drying programme is started and the **OK** button is activated, the display will show “*CLOSE DOOR*”. Close the door, and the selected drying programme will start.
- The **animated symbol** (bar) on the left side of the display indicates that the drying process is in progress.
- When the drying process has finished, the display shows the text “*END*” (flashing). When the **STOP** button is then pressed, or the door is opened, the current programme ends and the display shows the last used programme.
- **NB: In standby mode the display goes off after 15 minutes and lights up when any of the buttons on the control panel is activated or the door is opened.**
- To halt a drying process in progress, press **STOP**.
- If the door is opened while the drying process is in progress, the fan will continue operating for another 5 minutes. The display shows “*CLOSE DOOR*” and counts down the 5 minute programme pause period.

If the door is closed within this 5 minute period, the drying process will re-start.

If the door is left open, the drying process will stop after 5 minutes and must be restarted manually.

If you wish to stop the drying process immediately, without a 5 minute period, press **STOP**.

SETTING DRYING PROGRAMMES

Setting to optimise the drying cabinet's automatic programme is done using the buttons on the control panel when the drying cabinet is in **programming mode**.

Adjustments must be made if it is found that

- the laundry does not dry sufficiently.
- the laundry is over-dried – long drying time.

PROGRAMMING MODE

- 1 Make sure that the **ON/OFF** switch on the drying cabinet is in the OFF position. The display is unlit.
- 2 Hold down the **UP ARROW** and **DOWN ARROW** buttons **simultaneously** and press the **ON/OFF** switch to the "ON" position. The display is lit and shows "**P 105**" flashing, which is the first setting parameter in the list below. Then select the relevant parameter using the arrow keys and confirm with **OK**.
- 3 To return to operating mode, press **DOWN ARROW** and then **OK**.

PARAMETER LIST

Parameter	Name	Factory preset	Min value	Max value	Signifies
P105	Language	1	0	7	Swedish For setting, see page 8
P115	Child lock On/Off	0	0	1	Off. Value 1 = Child lock ON
P2011	Min drying time Aut40°	35 (min)	10	45	Regardless of moisture level, the drying process runs 35 min. Factory preset.
P2012	Max drying time Aut40°	360 (min)	60	360	Regardless of moisture level, the drying process runs 360 min. Factory preset.
P2013	Max temp Aut40°	51°	41°	61°	The heating elements switch off if the value is exceeded.
P2014	Exhaust temp. process finished Aut40°	38°	34°	54°	For Normal programmes the drying process ends with cooling. For Extra programmes the extra drying time starts, followed by cooling.
P2015	Extra drying time Aut40°	30 (min)	10	45	Extra programme drying time after exhaust temp. has been reached.
P2016	Cooling time Aut40°	10 (min)	2	20	Time when only the fan is in operation, without heating elements. Provides more even drying time.
P2021	Min drying time Aut60°	35 (min)	15	45	Regardless of moisture level, drying process runs 35 min. Factory preset.
P2022	Max drying time Aut60°	240 (min)	60	360	Regardless of moisture level, drying process runs 240 min. Factory preset.
P2023	Max temp Aut60°	90°	61°	100°	The heating elements switch off if the value is exceeded.

Parameter	Name	Factory preset	Min value	Max value	Signifies
P2024	Outlet temp. process finished Aut60°	48°	40°	73°	For Normal programmes the drying process ends with cooling. For Extra programmes the extra drying time starts, followed by cooling.
P2025	Extra drying time Aut60°	30 (min)	10	45	Extra programme drying time after exhaust temp. has been reached.
P2026	Cooling time Aut60°	10 (min)	2	20	Time when only the fan is in operation, without heating elements. Provides more even drying time.

ADJUSTMENT

The programme **Aut 40° Normal** is controlled via **temp sensor exhaust air**.

The programme **Aut 40° Extra** is controlled via **temp sensor exhaust air** and a **time factor**.

The programme **Aut 60° Normal** is controlled via **temp sensor exhaust air**.

The programme **Aut 60° Extra** is controlled via **temp sensor exhaust air** and a **time factor**.

The automatic programmes end automatically when the laundry is dry.

To decide when the laundry is dry, the actual exhaust air temperature is compared against a parameter, **P2014 for 40°** programme and **P2024 for 60°** programme.

For **Aut 40° Extra** an extra drying time is additionally added according to parameter **P2015**.

For **Aut 60° Extra** an extra drying time is additionally added according to parameter **P2025**.

It is primarily these four parameters that are adjusted to optimise the drying processes of the automatic programmes.

Aut 40° Normal and **Aut 40° Extra** are adjusted with **parameter P2014**.

Aut 40° Extra is additionally adjusted with **parameter P2015** (extra drying time).

Aut 60° Normal and **Aut 60° Extra** is adjusted with **parameter P2024**.

Aut 60° Extra is additionally adjusted with **parameter P2025** (extra drying time).

If it is found that the laundry does not dry sufficiently, the parameter value is **increased**.

If it is found that the laundry is over-dried, long drying time, the parameter value is **reduced**.

Optimisation of drying processes must always take place in small steps, start by adjusting the parameter concerned one to two units up or down. Then check the result after the next drying process and make any further adjustment necessary.

PROCEDURE

The setting parameters according to the list on pages 28 are shown on the display as follows:

on the **top row** of the display the relevant parameter is shown, for example P 2014,
on the **bottom row** the set value of the parameter is shown.

- 1 Go to programming mode. See page 27.
- 2 Browse to the relevant parameter by pressing the **ARROW UP** or **ARROW DOWN** key repeatedly. If you go too far, simply continue browsing until the display shows the correct parameter.
- 3 When the display shows the correct parameter, for example "P 2012", press **OK** to confirm. The row now flashes with the set value of the parameter.
- 4 Increase or reduce the value using the **ARROW UP** or **ARROW DOWN** key.
- 5 To save the set value, press **OK**.
- 6 To return to operating mode, press **DOWN ARROW** and then **STOP**.

RESTORING TO FACTORY SETTING

- 1 Go to **programming mode** as described on page 27.
- 2 Hold down the **UP ARROW** and **DOWN ARROW** keys simultaneously and press **OK**. The factory settings are saved and the display shows the last run programme.

CARE

CLEANING

- Clean the walls of the cabinet with a mild soap solution on a damp cloth.
- Dust tends to collect around the air intake on the top of the cabinet. This can cause disruption, in turn leading to breakdowns in operation.

To avoid these problems, the air intake and the roof of the cabinet should be vacuumed at least once a year, or more often depending on the environment the cabinet is positioned in.

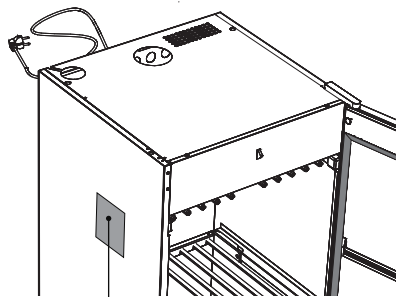
 **NB**

Do not use high-pressure cleaning.

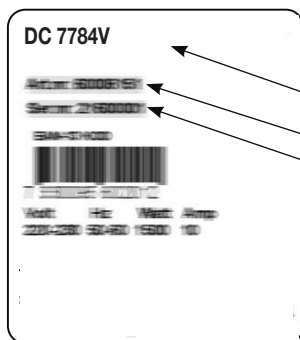
SERVICE

Before contacting Service, you should find out the name, article number and serial number of the drying cabinet.

This information can be found on the drying cabinet located inside the cabinet.



Identification plate (inside)



Name of the drying cabinet

Article number

Serial number (12 digits)

Identification plate for drying cabinet model DC7784V

OVERHEAT CUT-OUT

The cabinet is equipped with an overheat cut-out which is automatically restored when the temperature in the cabinet has fallen to an acceptable level. The time to restore varies from 10 to 15 minutes after the overheat cut-out has been activated.

When the overheat cut-out has been tripped, the cabinet cannot be started.

If this has happened - **always make a new attempt to start after 15 minutes before reporting a fault.**

If repeated breakdowns occur, contact your supplier.

TROUBLESHOOTING

DEAL WITH MINOR FAULTS YOURSELF

Problem	What you can do
The drying cabinet is not working	<ol style="list-style-type: none">1. Check that the power lead is connected to a socket.2. Check that no fuse has tripped3. Have you pressed the start button?4. Is the door closed?
The display shows an alarm/error code	This should normally not happen, but if an alarm or error code appears, first try to reset the alarm by holding the START/ STOP button down for 5 sec. If the problem persists, a service technician must be called in.
Drying takes a long time	<ol style="list-style-type: none">1. Check that the correct programme has been selected for the type of laundry.2. Check that the laundry is not very wet (poorly spun).3. Check that too much laundry has not been hung.
The washing does not become dry	<ol style="list-style-type: none">1. Check that the correct programme has been selected for the type of laundry2. Check that too much laundry has not been hung.3. Adjust parameters 2014, 2015, 2024 and 2025 according to the chapter "Setting of drying programme"
The sealing strip does not close tightly/the door is ajar	Check that the cabinet is level. Check with a spirit level, if necessary adjust with the adjustable feet.

TECHNICAL DATA

Capacity:	4 kg of laundry (cotton)
Dewatering capacity:	17 g/min
Electrical supply:	Single phase 220 - 240 V, 50-60 Hz
Fuse:	10 A
Motor:	35 W
Heating element:	1500 W
Overheat cut-out:	Yes
Fan capacity:	180 m ³ /hour
Hanging length:	16 metres
Dimensions DC7774V:	Height 1700 mm 1715 mm incl. hinge Width 595 mm Depth 608 mm 635 mm incl. door handle
Dimensions DC7784V:	Height 1840 mm 1855 mm incl. hinge Width 595 mm Depth 608 mm 635 mm incl. door handle
Weight of DC7774V	~60 kg
Weight of DC7784V:	~63 kg
Sound level:	max 60 dB(A)

MANUFACTURING STANDARD

See cabinet rating plate.

WIRING DIAGRAM

Wiring diagram can be ordered from the manufacturer.

IDENTIFICATION PLATE

See page 32.

ENERGY CONSUMPTION AND DRYING TIMES

*Drying of spun laundry *)*

Programme	Energy consumption	Drying time
Aut 40°	0.60 kWh/kg laundry	2 hours 45 min
Aut 60°	0.62 kWh/kg laundry	2 hours

**) Stated values apply to drying cabinet connected with draft stabilizer. Values may vary depending on spin speed*



www.asko.com

Right to make changes reserved.

CE ASKO DC 7774V
DC 7784V



784416



en (12-22)