


gorenjeČtiki



TEG 5 - 10


SL	Navodila za uporabo	4
EN	Instructions for Use	10
DE	Gebrauchsanweisung	16
HR BIH	Upute za upotrebu	22
SR MNE	Uputstva za upotrebu	28
SQ MNE	Udhëzime për përdorim	34
MK	Упатства за употреба	40

OPOZORILA

 Aparat lahko uporabljajo otroci stari 8 let in starejši in osebe z zmanjšanimi fizičnimi, čutnimi ali mentalnimi sposobnostmi ali s pomanjkanjem izkušenj oz. znanjem če so pod nadzorom ali poučeni glede uporabe aparata na varen način in da razumejo možne nevarnosti.

 Otroci se ne smejo igrati z aparatom.


 Čiščenja in vzdrževanja aparata ne smejo izvajati otroci brez nadzora.

 Vgradnja mora biti izvedena v skladu z veljavnimi predpisi in po navodilih proizvajalca. Izvesti jo mora strokovno usposobljen monter.

 Grelnik je grajen za pretočni (netlačni) sistem priključitve na vodovodno omrežje!

 Pred električno priključitvijo morate grelnik obvezno najprej napolniti z vodo.

 Če boste grelnik vode izključili iz električnega omrežja, morate ob nevarnosti zamrznitve, vodo iz njega iztočiti.

 Prosimo Vas, da morebitnih okvar na grelniku ne popravljate sami, ampak o njih obvestite najbližjo pooblaščenno servisno službo.



Naši izdelki so opremljeni z okolju in zdravju neškodljivimi komponentami in so izdelani tako, da jih lahko v njihovi zadnji življenjski fazi čim bolj enostavno razstavimo in recikliramo.

Z reciklažo materialov zmanjšujemo količine odpadkov in zmanjšamo potrebo po proizvodnji osnovnih materialov (na primer kovine), ki zahteva ogromno energije ter povzroča izpuste škodljivih snovi. Z reciklažnimi postopki tako zmanjšujemo porabo naravnih virov, saj lahko odpadne dele iz plastike in kovin ponovno vrnemo v različne proizvodne procese.

Za več informacij o sistemu odlaganja odpadkov obiščite svoj center za odlaganje odpadkov, ali trgovca, pri katerem je bil izdelek kupljen.

**Cenjeni kupec, zahvaljujemo se Vam za nakup našega izdelka.
PROSIMO, DA PRED VGRADNJO IN PRVO UPORABO GRELNIKA VODE
SKRIBNO PREBERETE NAVODILA.**

Grelnik je izdelan v skladu z veljavnimi standardi in uradno preizkušen, zanj pa sta bila izdana tudi varnostni certifikat in certifikat o elektromagnetni kompatibilnosti. Njegove osnovne tehnične lastnosti so navedene na napisni tablici, nalepljeni med priključnima cevema. Grelnik sme priključiti na vodovodno in električno omrežje le za to usposobljen strokovnjak. Posege v njegovo notranjost zaradi popravila, odstranitve vodnega kamna lahko opravi samo pooblaščen servisna služba.

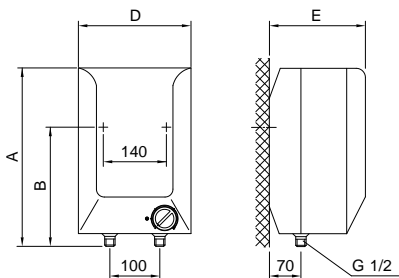
VGRADNJA

Grelnik vgradite po shemi in tabeli z merami za vgradnjo v prostor, kjer ne zmrzuje, vendar čim bližje odjemnim mestom. Na steno ga pritrdite s stenskima vijakoma nominalnega premera minimalno 5 mm.

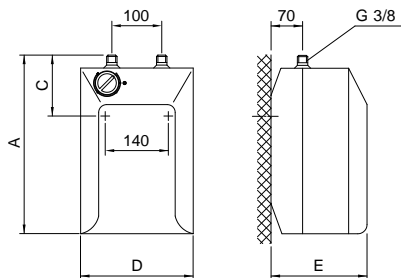
Glede na vašo potrebo lahko izbirate med nadumivalniškim tipom (TEG 0520 O/A; TEG 1020 O/A) in podumivalniškim tipom (TEG 0520 U/A; TEG 1020 U/A).

	A	B	C	D	E
TEG 0520 O/A	390	264		256	213
TEG 0520 U/A	390		138	256	213
TEG 1020 O/A	471	371		310	265
TEG 1020 U/A	471		196	310	265

Priključne in montažne mere grelnika [mm]



Nadumivalniška izvedba



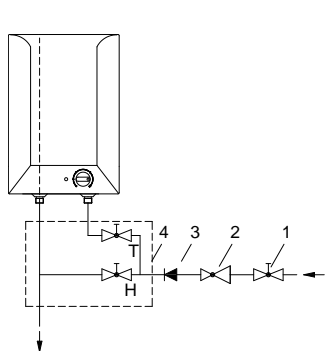
Podumivalniška izvedba

PRIKLJUČITEV NA VODOVODNO OMREŽJE

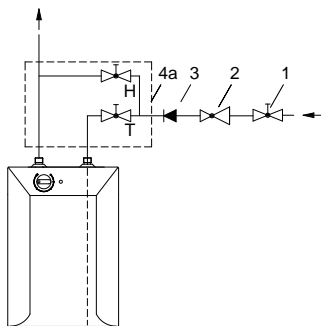
Grelnik je grajen za pretočni (netlačni) sistem priključitve. Ta sistem omogoča odjem vode samo na enem odjemnem mestu. Priključitev je potrebno izvesti v skladu s shemo vodovodnega priključka.

Za pretočni sistem priključitve morate vgraditi ustrezno mešalno baterijo. Za nadumivalniško izvedbo potrebujete nadumivalniško pretočno baterijo, za podumivalniško izvedbo pa podumivalniško pretočno baterijo. Dovod in odvod vode sta na ceveh grelnika barvno označena. Dovod hladne vode je označen modro, odvod tople vode pa rdeče. Na dotočno cev pred mešalno baterijo je potrebno obvezno vgraditi nepovratni ventil, ki preprečuje iztekanje vode iz kotla, če v omrežju zmanjka vode. Če tlak v vodovodnem omrežju presega 5 barov, morate pred mešalno baterijo vgraditi še redukcijski ventil.

Pri izbiri pretočne mešalne baterije namenite posebno pozornost podatku proizvajalca o padcih tlaka zaradi uporov, ki nastopajo pri pretoku vode skozi mešalno baterijo. Pri popolnoma odprtem iztočnem ventilu ta ne sme presegati 0,2 bara. Na izlivno cev mešalne baterije prav tako ne smete priključiti nobene naprave na vodni pogon ali vodnega razpršilca, ki bi lahko povzročil povečanje tlaka v kotlu grelnika. Če se ne boste držali teh napotkov, lahko pride med obratovanjem do poškodbe grelnika.



Nadumivalniška izvedba



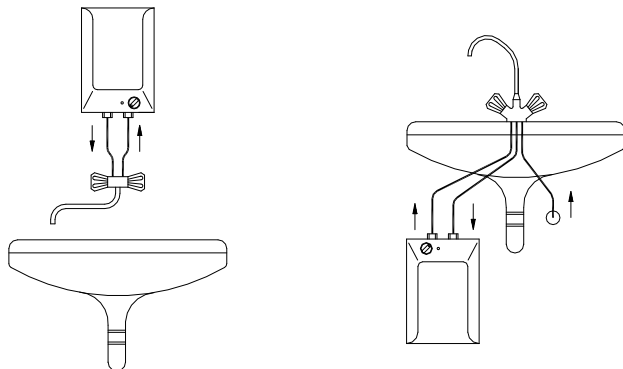
Podumivalniška izvedba

Legenda:

- 1 - Zaporni ventil
- 2 - Redukcijski ventil
- 3 - Nepovratni ventil
- 4 - Pretočna mešalna baterija - nadumivalniška

4a - Pretočna mešalna baterija - podumivalniška

H - Hladna voda
T - Topla voda



Pred električno priključitvijo morate grelnik obvezno napolniti z vodo. Pri prvi polnitvi odprete ročico za toplo vodo na mešalni bateriji. Grelnik je napolnjen, ko voda priteče skozi izlivno cev mešalne baterije. Če grelnika ob priključitvi ne boste napolnili z vodo, bo ob prvem vklopu prišlo do poškodbe toplotne varovalke in grelnik sploh ne bo deloval.

PRIKLJUČITEV NA ELEKTRIČNO OMREŽJE

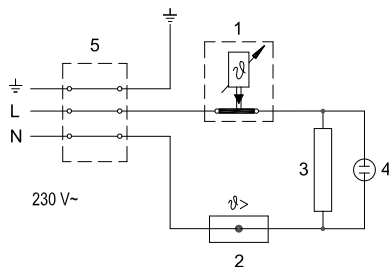
Priključitev grelnika na električno omrežje mora potekati v skladu s standardi za električne napeljave. V električni inštalaciji mora biti vgrajena priprava za ločitev vseh polov. Grelnik priključite na električno omrežje preko priključnega kablo. Če želite vgrajeni kabel nadomestiti z novim, daljšim, lahko vgrajeni kabel odstranite, novega pa pritrdite v kabelsko uvodnico ter žice kablo privijačite v priključno sponko. Da to lahko storite morate najprej sneti plastično oblogo grelnika.

To storite tako, da najprej odstranite ploščico (velja za modele z vstavno ploščico), ki je vstavljena v sprednjo stran plastične obloge. Ploščico sprostite na ta način, da v režo med vstavno ploščico in plastično oblogo najprej ob gumbu termostata nato pa še na strani nasproti gumba previdno porinete izvijač. Ko ploščico sprostite na obeh straneh, jo lahko odstranite z roko. Nato odstranite gumb termostata in odvijete pritrdilni vijak pod gumbom. Nazadnje odvijate še vse vijake za pritrditev plastične obloge in oblogo odstranite.

Legenda:

- 1 - Termostat
- 2 - Toplotna varovalka
- 3 - Grelno
- 4 - Kontrolna svetilka
- 5 - Priključna sponka

L - Fazni vodnik
N - Nevtralni vodnik
⊕ - Zaščitni vodnik



Schema električne vezave

OPOZORILO: Pred vsakim posegom v njegovo notranjost morate grelnik obvezno izključiti iz električnega omrežja!

UPORABA IN VZDRŽEVANJE

Po priključitvi na vodovodno in električno omrežje je grelnik pripravljen za uporabo. Z vrtenjem gumba na termostatu, ki je na prednji strani zaščitnega pokrova, izbirate željeno temperaturo vode do 75 °C. Priporočamo nastavitev gumba na položaj "e". Takšna nastavitev je najbolj varčna; pri njej bo temperatura vode približno 41 °C pri TEG 0520 oz. približno 35 °C pri TEG 1020, izločanje vodnega kamna in toplotna izguba pa bosta manjša kot pri nastavitvah na višjo temperaturo (poz. II - 55 °C in III - 75 °C). Delovanje električnega grela pokaže kontrolna svetilka, ki sveti vse dokler se voda v grelniku ne segreje do izbrane temperature ali do namenskega izklopa. V grelniku se zaradi segrevanja prostornina vode povečuje, to pa povzroči kapljanje iz cevi mešalne baterije. Z močnim zategovanjem ročaja na mešalni bateriji kapljanja vode ne morete preprečiti, temveč baterijo lahko pokvarite.

Če grelnika ne mislite uporabljati dalj časa, zavarujete njegovo vsebino pred zmrzovitvijo na ta način, da elektrike ne izklopite, gumb termostata pa nastavite na položaj "*". Pri tej nastavitvi bo grelnik vzdrževal temperaturo vode pri približno 9 °C. Če boste grelnik iz električnega omrežja izklopili, morate ob nevarnosti zmrznitve vodo iz njega iztočiti. Voda iz grelnika se izprazni skozi dotočno/odtočno cev grelnika. Zunanost grelnika čistite z blagimi tekočimi čistili. Ne uporabljajte razredčil in grobih čistilnih sredstev.

Z rednimi servisnimi pregledi boste zagotovili brezhibno delovanje in dolgo življenjsko dobo grelnika. Prvi pregled naj pooblaščen servisna služba opravi približno dve leti po priključitvi. Ob pregledu se po potrebi očisti vodni kamen, ki se glede na kakovost, količino in temperaturo porabljene vode nabere v notranjosti grelnika. Servisna služba vam bo po pregledu grelnika glede na ugotovljeno stanje priporočila tudi datum naslednje kontrole.

Prosimo Vas, da morebitnih okvar na grelniku ne popravljate sami, ampak o njih obvestite najbližjo pooblaščen servisno službo.

TEHNIČNE LASTNOSTI APARATA

Tip		TEG 0520 O/A	TEG 0520 U/A	TEG 1020 O/A	TEG 1020 U/A
Določeni profil obremenitve		XXS	XXS	XXS	XXS
Razred energijske učinkovitosti		A	A	A	A
Energijska učinkovitost pri ogrevanju vode (η_{wh}) ¹⁾	[%]	35,2	35	35,3	35,1
Letna poraba električne energije ¹⁾	[kWh]	525	527	523	525
Dnevna poraba električne energije ²⁾	[kWh]	2,475	2,49	2,464	2,477
Nastavitev temperature termostata		e *			
Vrednost "smart"		0	0	0	0
Prostornina	[l]	5,5	5,7	9,8	9,9
Masa / napolnjen z vodo	[kg]	3,5 / 8,5		4 / 14	
Priključna moč	[W]	2000			
Napetost	[V~]	230			
Razred zaščite		I			
Stopnja zaščite		IP24			
Čas segrevanja od 10 °C do 65 °C	[min]	10		20	
Mere embalaže	[mm]	215x265x425		275x320x500	

* pozicija termostata na oznaki "e" ustreza pri 41 °C pri TEG 0520 oz. 35 °C pri TEG 1020

1) Uredba komisije EU 812/2013; EN 50440

2) EN 50440

PRIDRŽUJEMO SI PRAVICO DO SPREMENB, KI NE VPLIVAJO NA FUNKCIONALNOST APARATA.

Navodila za uporabo so na voljo tudi na naših spletnih straneh
<http://www.gorenje.com> .

WARNINGS

⚠ The appliance may be used by children older than 8 years old, elderly persons and persons with physical, sensory or mental disabilities or lacking experience and knowledge, if they are under supervision or taught about safe use of the appliance and if they are aware of the potential dangers.

⚠ Children should not play with the appliance.

⚠ Children should not clean or perform maintenance on the appliance without supervision.

⚠ Installation should be carried out in accordance with the valid regulations and according to the instructions of the manufacturer and by qualified staff.

⚠ The water heater is constructed for cross-flow (non-pressure) system of installation!

⚠ Before connecting it to the power supply, the water heater must be filled with water!

⚠ If the heater is to be disconnected from the power supply, please drain any water from the heater to prevent freezing.

⚠ Please do not try to fix any defects of the water heater on your own. Call the nearest authorised service provider.



Our products incorporate components that are both environmentally safe and harmless to health, so they can be disassembled as easily as possible and recycled once they reach their final life stage.

Recycling of materials reduces the quantity of waste and the need for production of raw materials (e.g. metals) which requires a substantial amount of energy and causes release of harmful substances. Recycling procedures reduce the consumption of natural resources, as the waste parts made of plastic and metal can be returned to various production processes. For more information on waste disposal, please visit your waste collection centre or the store where the product was purchased.

**Dear buyer, thank you for purchasing our product.
Prior to the installation and first use of the electric water heater, please read these instructions carefully.**

This water heater has been manufactured in compliance with the relevant standards and tested by the relevant authorities as indicated by the Safety Certificate and the Electromagnetic Compatibility Certificate. The technical characteristics of the product are listed on the label affixed between the inlet and outlet pipes. The installation must be carried out by qualified staff. All repairs and maintenance work within the water heater, e.g. lime removal, must be carried out by an authorised maintenance service provider.

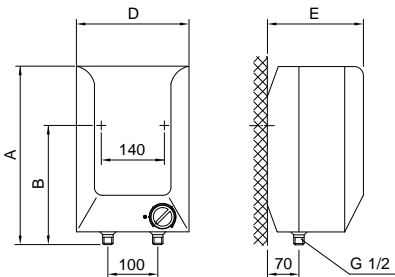
INSTALLATION

The water heater shall be built in according to the drawing and table with dimensions in a premise where there is no frost, as close as possible to the water outlets. It has to be fitted to the wall using appropriate wall screws with a minimum diameter of 5 mm.

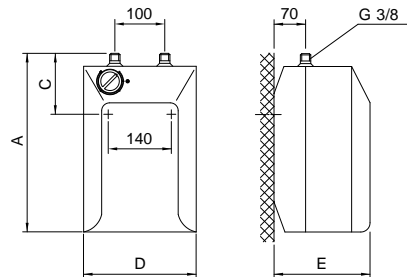
With regard to the needs, you can chose execution above the sink (TEG 0520 O/A; TEG 1020 O/A) or an execution under the sink (TEG 0520 U/A; TEG 1020 U/A).

	A	B	C	D	E
TEG 0520 O/A	390	264		256	213
TEG 0520 U/A	390		138	256	213
TEG 1020 O/A	471	371		310	265
TEG 1020 U/A	471		196	310	265

Connection and installation dimensions of the water heater [mm]



Execution above the sink



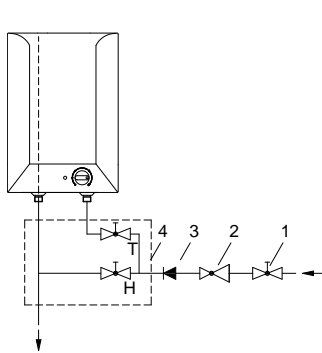
Execution under the sink

CONNECTION TO THE WATER SUPPLY

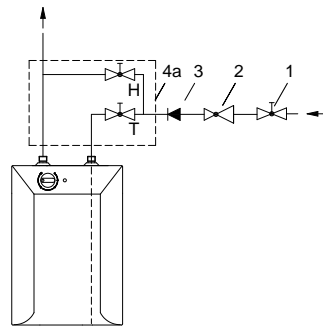
The water heater is constructed for cross-flow (non-pressure) system of installation. This system enables supply of water only at one outlet point. The connection must be performed correspondingly to the diagram of the water supply.

For cross-flow system of installation an adequate mixing tap must be purchased. For the execution above sink is needed a mixing tap above sink, and for execution under the sink the mixing tap under the sink. Inlet of cold water is marked with blue colour and the outlet of hot water is marked with red colour. Upon the inlet pipe before the mixing tap it is mandatory to built-in a non-return valve preventing the running of water of the tank if the water in the network runs short. If the pressure in water supply network surpasses 5 bar, before the mixing tap also a reduction valve must be built in.

By choice of the cross-flow mixing tap, particular attention must be paid to the data of supplier about reduction of pressure by the resistance appearing by flow of water through the mixing tap. By entirely open outlet valve this must not surpass 0,2 bar. To the outlet pipe of mixing tap no device driven by water or spray nozzle may be connected, which could cause the increase of pressure in the tank of the water heater. If these instructions shall not be respected during the operation, a damage of the heater may occur.



Execution above the sink



Execution under the sink

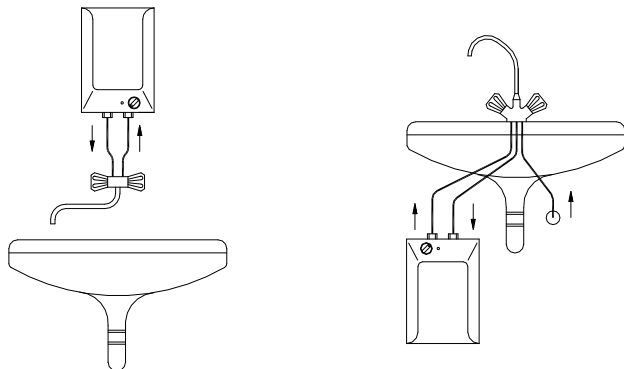
Legend:

- 1 - Closing valve
- 2 - Pressure reduction valve
- 3 - Non-return valve
- 4 - Cross-flow mixing tap - above sink

4a - Cross-flow mixing tap - under sink

H - Cold water

T - Hot water



Prior to the electric connection, the heater must be obligatorily filled with water. By first filling the faucet for the hot water upon the mixing tap must be opened. The heater is filled with water when the water starts to run through the outlet pipe of the mixing tap. If the heater at connection would not be filled with water, at first switching-on the damage of thermal fuse shall occur and the heater shall not operate at all.

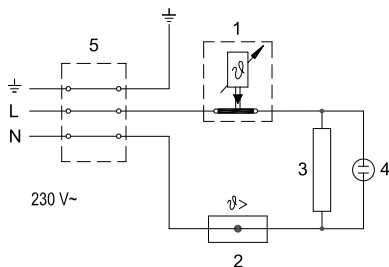
CONNECTING THE WATER HEATER TO THE POWER SUPPLY NETWORK

Connection of the water heater to the electric network must be performed according to standards for electric installation. The heater shall be connected to electric power supply over electric cable with plug. If the built-in cable shall be replaced with a new longer, the built-in cable may be removed and the new connecting cable inserted where the cable wires shall be screwed to the connection terminal. In order to do this the plastic lining of the water heater must be removed. This is done so that at first the plate is removed, inserted in the front side of the plastic lining. The plate is released so that in the slot between the inserted plate and the plastic lining at first at the thermostat knob and on the side in front of the knob cautiously a screwdriver is pushed in. When the plate is released at both sides, it can than be removed by hand. Than the thermostat knob is removed and the screw under the knob is unscrewed. At last also all four screws for fixing of plastic lining are unscrewed and the lining removed.

Legend:

- 1 - Thermostat
- 2 - Thermal cut-off
- 3 - Electric heating element
- 4 - Pilot lamp
- 5 - Connection terminal

- L - Live conductor
- N - Neutral conductor
- ⊕ - Earthing conductor



Electric installation

CAUTION: Before any intervention into the interior of the water heater, disconnect it from the power supply network! This intervention may only be performed by a trained professional!

OPERATION AND MAINTENANCE

After connecting to the water and power supply, the heater is ready for use. By turning the knob of thermostat at the front side of the protecting cover, the wished temperature of water 75 °C is chosen. We recommend the adjustment of the knob to the position "e". Such an adjustment is the most economic, with it the temperature of water shall be approximately 41 °C in case of TEG 0520 or 35 °C in case of TEG 1020, the excretion of lime-stone and thermal loss shall be smaller as by adjustment to higher temperature (poz. II - 55 °C in III - 75 °C).

The operation of electric immersion heaters is shown by pilot light which is lit during the time until the water in the heater is heating to the chosen temperature or to the intended switch off. During the heating the volume of water in the heater is increasing, which causes the dropping of water from the mixing valve. By strong squeezing of the mixing valve the dropping can not be stopped but the mixing valve can be damaged.

When the heater shall not be used during a longer time, its contents must be protected against freezing so that the electricity shall not be switched off, but the thermostat knob shall be adjusted to the position "*". With this adjustment the heater shall maintain the water temperature by approximately 9 °C. But when the heater is switched-off the electric network, at risk for freezing, the water must be emptied from it. Water from the heater is drained through the inlet/outlet pipe of the heater.

The outside of the heater is cleaned by mild solution of detergent. The solvents or rough cleaning means should not be used. By regular service check impeccable operation shall be assured and a long lifetime of the heater. The first check must be performed by authorised service workshop after approximately two years after the first connection. At check, it necessary lime stone must be cleaned which with regard to the quality, quality and temperature of the water used is gathered in the inside of the water heater. Service workshop shall after check recommend also the date of next check.

Never try to repair any possible faults of the heater by yourself, but inform about it the nearest authorised service workshop.

TECHNICAL PROPERTIES OF THE APPLIANCE

Type		TEG 0520 O/A	TEG 0520 U/A	TEG 1020 O/A	TEG 1020 U/A
Declared load profile		XXS	XXS	XXS	XXS
Energy efficiency class ¹⁾		A	A	A	A
Water heating energy efficiency (η_{wh}) ¹⁾	[%]	35,2	35	35,3	35,1
Annual electricity consumption ¹⁾	[kWh]	525	527	523	525
Daily electricity consumption ²⁾	[kWh]	2,475	2,49	2,464	2,477
Thermostat temperature settings		e *			
Value of "smart"		0	0	0	0
Volume	[l]	5,5	5,7	9,8	9,9
Weight / Filled with water	[kg]	3,5 / 8,5		4 / 14	
Power of electrical heater	[W]	2000			
Voltage	[V~]	230			
Protection class		I			
Degree of protection		IP24			
Heating time from 10 °C to 65 °C	[min]	10		20	
Packaging dimensions	[mm]	215x265x425		275x320x500	

* The "e" position of the regulation knob corresponds to a water temperature of approx. 41 °C by TEG 0520 and 35 °C by TEG 1020

1) EU Regulation 812/2013; EN 50440

2) EN 50440

WE RESERVE THE RIGHT TO MAKE CHANGES THAT DO NOT IMPAIR THE FUNCTIONALITY OF THE DEVICE.

The user manual can also be found at our website <http://www.gorenje.com> .

HINWEISE

- ⚠** Das Gerät kann von Kindern ab 8 Jahren und Personen mit begrenzten physischen, sinnlichen und psychischen Fähigkeiten oder mit ungenügend Erfahrungen bzw. Kenntnis benutzt werden, falls sie dabei kontrolliert werden oder über die sichere Anwendung des Gerätes belehrt worden sind und dass sie die eventuelle damit verbundene Gefahr verstehen.
- ⚠** Kinder dürfen mit dem Gerät nicht spielen.
- ⚠** Kinder dürfen das Gerät nicht reinigen oder warten, wenn sie dabei nicht von einer befähigten Person kontrolliert werden.
- ⚠** Die Installation ist nach den gültigen Vorschriften und nach Anweisungen des Herstellers auszuführen. Die Installation darf nur ein fachlich ausgebildeter Installateur ausführen.
- ⚠** Der Warmwasserbereiter ist für ein Durchfluss-Anschlussystem (ohne Druck) gefertigt!
- ⚠** Bevor Sie den Warmwasserbereiter ans Stromnetz anschließen, ist er unbedingt mit Wasser zu füllen!
- ⚠** Sollten Sie den Warmwasserbereiter vom Stromnetz trennen, müssen Sie im bei Frostgefahr das Wasser aus dem Kessel entleeren.
- ⚠** Bitte versuchen Sie nicht, eventuelle Fehler am Gerät selbst zu beseitigen, wenden Sie sich lieber an den nächsten bevollmächtigten Kundendienst.



Unsere Produkte bestehen aus den umgebungs- und gesundheitsfreundlichen Bauteilen. Die entsprechende Bauweise der Produkte ermöglicht, dass sie am Ende der Lebensdauer einfach demontiert und recycelt werden können.

■ Durch die Rezyklierung der Materialien werden die Menge der Abfälle und der Bedarf an der Produktion der Grundstoffe (z.B. Metalle) mit enormem Energieverbrauch und erheblicher Emission der Schadstoffe vermindert. Folglich werden auch die natürlichen Ressourcen bewahrt, denn die Abfallteile aus Kunststoff und Metall können in den verschiedenen Produktionsverfahren wieder verwendet werden.

Für mehr Informationen über das System der Abfallbeseitigung fragen Sie Ihr Zentrum zur Entsorgung von Abfällen oder den Verkäufer, bei welchem Sie das Produkt gekauft haben.

Sehr geehrter Kunde, wir danken Ihnen, dass Sie unser Produkt erworben haben.

Bitte lesen Sie diese Gebrauchsanweisung aufmerksam durch, bevor Sie den Warmwasserbereiter installieren und in Betrieb nehmen.

Die Herstellung des Warmwasserbereiters erfolgte im Einklang mit den gültigen Normen. Das Gerät wurde einer ordnungsgemäßen Prüfung unterzogen und mit einem Sicherheitsnachweis und einem Zertifikat über elektromagnetische Kompatibilität versehen. Seine technischen Eigenschaften sind auf der Anschriftentafel angegeben, die zwischen den beiden Anschlussrohren angeklebt ist. Den Warmwasserbereiter darf ein nur dafür befähigter Fachmann an das Wasser- und Elektonetz anschließen. Eingriffe in das Innere zur Reparatur, Beseitigung des Wassersteines darf nur bevollmächtigter Kundendienst ausführen.

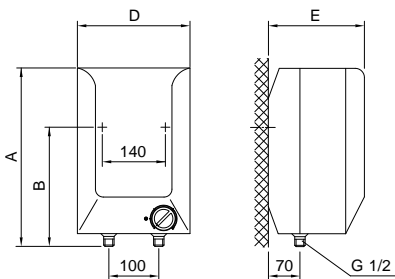
INSTALLATION

Der Warmwasserbereiter ist entsprechend seinen Einbaumassen gemäß Schema und Tabelle in einen Raum, in dem keine Gefriertemperaturen herrschen, jedoch in nächster Nähe zur Entnahmestelle einzubauen. Er ist mittels Wandschrauben mit Nominaldurchmesser von mindestens 5 mm an der Wand zu befestigen.

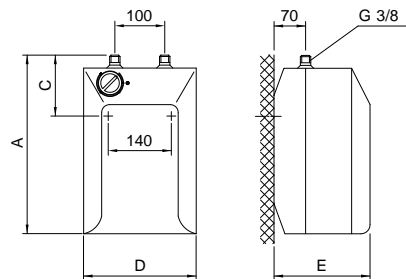
Je nach Bedarf können Sie zwischen Typen für oberhalb (TEG 0520 O/A; TEG 1020 O/A) und unterhalb des Waschbeckens (TEG 0520 U/A; TEG 1020 U/A) wählen.

	A	B	C	D	E
TEG 0520 O/A	390	264		256	213
TEG 0520 U/A	390		138	256	213
TEG 1020 O/A	471	371		310	265
TEG 1020 U/A	471		196	310	265

Anschluss- und Montagemaße des Warmwasserbereiters [mm]



Oberhalb des Waschbeckens



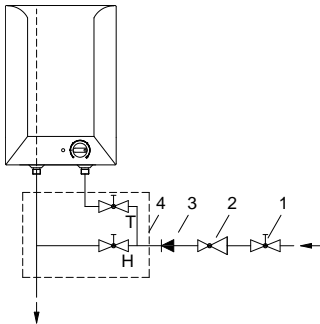
Unterhalb des Waschbeckens

WASSERANSCHLUSS

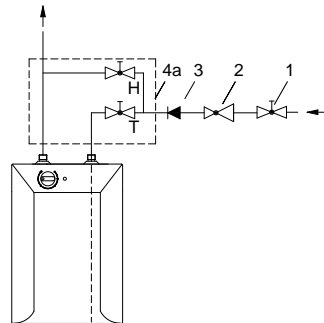
Der Warmwasserbereiter ist für ein Durchfluss-Anschlusssystem (ohne Druck) gefertigt. Dieses System ermöglicht die Wasserentnahme nur an einer Stelle. Der Anschluss ist im Einklang mit der dafür vorgesehenen Skizze auszuführen.

Für das Durchflusssystem ist eine entsprechende Mischbatterie notwendig. Je nach Typ des Warmwasserbereiters benötigen Sie eine Durchflussbatterie für oberhalb oder eine für unterhalb des Waschbeckens. Zulauf und Abfluss des Wassers sind an den Heizkörperrohren farblich gekennzeichnet. Der Kaltwasserzulauf ist blau und der Abfluss des Warmwassers mit rot angegeben. Am Zulaufrohr ist vor der Mischbatterie unbedingt ein Rückschlagventil einzubauen, das das Auslaufen des Wassers aus dem Kessel verhindert, wenn kein Wasser im System ist. Wenn der Druck im Wasserleitungssystem höher als 5 Bar ausmacht, ist vor die Mischbatterie noch ein Reduktionsventil anzubringen.

Bei der Auswahl der Mischbatterie sollten Sie besonders auf die Angaben des Herstellers im Zusammenhang mit dem Druckabfall durch die Widerstände achten, die beim Durchfluss des Wassers durch die Mischbatterie entstehen. Bei vollständig geöffnetem Auslaufventil darf dieser 0,2 Bar nicht übersteigen. Am Abflussrohr der Mischbatterie darf auch kein Gerät mit Wasserantrieb oder Wasserdiffusor angeschlossen werden, die eine Druckerhöhung im Heizkessel verursachen könnten. Wenn diese Hinweise nicht eingehalten werden, können bei der Inbetriebnahme Schäden am Warmwasserbereiter auftreten.



Oberhalb des Waschbeckens



Unterhalb des Waschbeckens

Legende:

1 - Absperrventil

2 - Druckminderventil

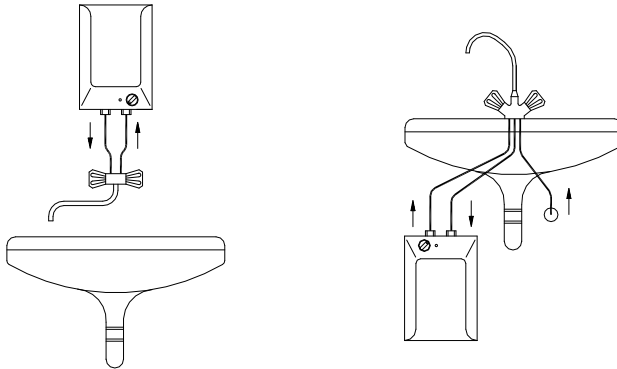
3 - Rückflußventilverhinderer

4 - Die Einlochmischbatterie - oberhalb

H - Kaltwasser

4a - Die Einlochmischbatterie - unterhalb

T - Warmwasser



Vor Anschluss an das Elektronetz ist der Warmwasserbereiter unbedingt mit Wasser zu füllen. Bei der ersten Füllung öffnen Sie den Warmwasserlauf der Mischbatterie. Der Warmwasserbereiter ist voll, wenn Wasser aus dem Auslaufrohr der Mischbatterie läuft. Wenn Sie versäumen, den Warmwasserbereiter beim Anschluss mit Wasser zu füllen, wird beim ersten Gebrauch die Heizsicherung beschädigt und der Warmwasserbereiter funktioniert nicht.

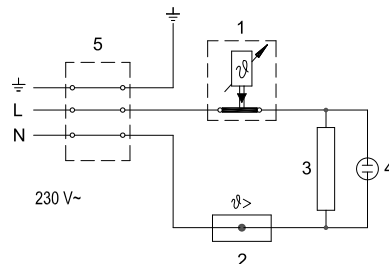
ELEKTRISCHER ANSCHLUSS

Der Anschluss an das Elektronetz hat im Einklang mit den Vorschriften für den Anschluss an elektrische Leitungen zu erfolgen. Der Warmwasserbereiter wird über das Anschlusskabel mit dem Stecker an das Elektronetz angeschlossen. Wenn Sie das installierte Kabel mit einem neuen, längeren Kabel ersetzen möchten, so ist das eingebaute Kabel zu beseitigen und das neue in die Kabeleinführung und die Kabeldrähte in die Anschlussklemme zu fixieren. Dafür muss zuvor die Kunststoffverkleidung des Warmwasserbereiters abgenommen werden. Um die Verkleidung zu entfernen, nehmen Sie zuerst die an der Vorderseite der Verkleidung angebrachte Platte ab. Die Platte lockern Sie, wenn Sie in den Schlitz zwischen Platte und Schutzdeckel zuerst am Thermostatknopf und danach gegenüber vom Knopf vorsichtig einen Schraubenschlüssel einführen. Wenn die Platte an beiden Seiten gelockert ist, kann sie mit der Hand abgenommen werden. Danach nehmen Sie den Thermostatknopf ab und entfernen die Befestigungsschraube unter dem Knopf. Zuletzt schrauben Sie noch alle vier Befestigungsschrauben ab und die Verkleidung kann abgenommen werden.

Zeichenerklärung:

- 1 - Thermostat
- 2 - Heizsicherung
- 3 - Heizstab
- 4 - Kontrolllampe
- 5 - Anschlussklemme

L - Phasenleiter
N - Neutraler Leiter
≡ - Schutzleiter



Schema für den Anschluss an die Elektroleitung

VORSICHT: Vor jedem Eingriff in den Warmwasserbereiter müssen Sie den Strom ausschalten! Das darf nur von einem qualifizierten Fachmann ausgeführt werden!

GEBRAUCH UND WARTUNG

Nachdem Sie den Warmwasserbereiter an die Wasserleitung und das Elektronetz angeschlossen haben, ist der Warmwasserbereiter betriebsbereit.

Durch Drehen des auf der Frontseite des Schutzdeckels angebrachten Thermostatknopfes wählen Sie die gewünschte Wassertemperatur zwischen 25 °C und 75 °C. Wir empfehlen die Einstellung des Knopfes auf die Position "e"; dies ist die sparsamste Einstellung, bei der die Wassertemperatur ungefähr 41 °C bei TEG 0520 bzw. 35 °C bei TEG 1020 beträgt, Verkalkung und Wärmeverlust sind dabei geringer als bei höheren Temperaturregelung (Pos. II 55 °C und III 75 °C).

Der Betrieb des Warmwasserbereiters wird durch eine Kontrolllampe angezeigt, die solange leuchtet, bis das Wasser im Gerät die gewünschte Temperatur erreicht hat oder der Warmwasserbereiter abgeschaltet wird. Durch das Erhitzen wird das Volumen des Wassers im Gerät vergrößert, was dazu führt, dass das Mischbatterierohr anfängt zu tropfen. Durch starkes Anziehen der Mischbatterie hört das Tropfen nicht auf, sondern wird nur die Mischbatterie beschädigt. Sollte der Warmwasserbereiter längere Zeit nicht in Betrieb sein, schützen Sie den Inhalt vor dem Einfrieren, indem Sie den Thermostatknopf auf die Position "*" stellen. Bei dieser Einstellung hält der Warmwasserbereiter die Wassertemperatur bei ungefähr 9 °C. Sollten Sie den Warmwasserbereiter ausschalten, müssen Sie bei Frost das Wasser ablassen.

Die Außenwände des Warmwasserbereiters reinigen Sie mit einer milden Waschmittellösung. Verwenden Sie keine Verdünnungsmittel oder grobe Waschmittel. Durch regelmäßigen Service werden Sie eine einwandfreie Funktion und lange Lebensdauer des Warmwasserbereiters erhalten. Die erste Kontrolle sollte zwei Jahre nach dem ersten Anschluss ein beauftragter Kundendienst ausführen. Bei der Kontrolle soll die Abnutzung der Korrosionsschutzanode geprüft und nach Bedarf der Kalk entfernt werden. Die Kalkmenge im Inneren des Warmwasserbereiters hängt von der Wasserqualität, -menge und -temperatur ab. Der Kundendienst wird Ihnen nach der Kontrolle des Warmwasserbereiters auf Grund des festgestellten Zustands das Datum der nächsten Kontrolle empfehlen.

Wir bitten Sie, eventuelle Störungen des Warmwasserbereiters nicht selber zu reparieren, sondern den nächstgelegenen Kundendienst zu informieren.

TECHNISCHE CHARAKTERISTIKEN

Typ		TEG 0520 O/A	TEG 0520 U/A	TEG 1020 O/A	TEG 1020 U/A
Angegebenes Lastprofil		XXS	XXS	XXS	XXS
Energieeffizienzklasse ¹⁾		A	A	A	A
Warmwasserbereitungs-Energieeffizienz (η_{wh}) ¹⁾	[%]	35,2	35	35,3	35,1
Jährlicher Stromverbrauch ¹⁾	[kWh]	525	527	523	525
Täglicher Stromverbrauch ²⁾	[kWh]	2,475	2,49	2,464	2,477
Temperatureinstellung des Thermostats		e *			
Wert "smart"		0	0	0	0
Volumen	[l]	5,5	5,7	9,8	9,9
Gewicht / voll	[kg]	3,5 / 8,5		4 / 14	
Anschlussleistung	[W]	2000			
Anschlussspannung	[V~]	230			
Schutzklasse		I			
Schutzart (Schutzstufe)		IP24			
Aufwärmezeit von 10 °C bis 65 °C	[min]	10		20	
Maße der Verpackung	[mm]	215x265x425		275x320x500	

* Position "e" von Drehknopf bedeutet Einstelltemperatur von Cca. 41 °C bei TEG 0520 bzw. 35 °C bei TEG 1020








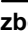
1) Verordnung der Kommission EU 812/2013; EN 50440

2) EN 50440

WIR BEHALTEN UNS DAS RECHT VOR, ÄNDERUNGEN VORZUNEHMEN, DIE DIE FUNKTION DES GERÄTES NICHT BEEINTRÄCHTIGEN.

Die Gebrauchsanweisungen finden Sie auch auf unseren Webseiten
<http://www.gorenje.com>.

UPOZORENJA!

-  Uređaj mogu koristiti djeca starija od 8 godina i osobe sa smanjenim tjelesnim, osjetnim ili mentalnim sposobnostima, odnosno nedovoljnim iskustvom ili znanjem samo ako su pod nadzorom ili podučeni o uporabi uređaja na siguran način i ako razumiju potencijalne opasnosti.
-  Djeca se ne smiju igrati uređajem.
-  Čišćenja i održavanja uređaja ne smiju obavljati djeca bez nadzora.
-  Ugradnju treba obaviti sukladno važećim propisima i prema uputama proizvođača. Mora ju obaviti stručno osposobljen monter.
-  Grijalica je konstruirana za protočni (netlačni) sustav priključenja na vodovodnu mrežu!
-  Prije priključenja na električne instalacije obvezatno prvo napunite grijalicu vodom!
-  Ako budete isključivali grijalicu iz električne mreže, morate ispustiti vodu zbog opasnosti od smrzavanja.
-  Molimo: eventualne kvarove na grijalici nemojte popravljati sami već obavijestite najbliži ovlaštenu servis o tome.



Naši su proizvodi opremljeni ekološki besprijekornim i zdravstveno ispravnim neškodljivim komponentama te su proizvedeni tako da se u svojoj posljednjoj fazi trajanja mogu što jednostavnije rastaviti i reciklirati.

Reciklažom materijala smanjuju se količine otpada i potreba za proizvodnjom osnovnih materijala (naprimjer kovine), što iziskuje puno energije i uzrokuje emisije štetnih tvari. Postupcima reciklaže smanjuje se potrošnja prirodnih izvora budući da se otpadni dijelovi od plastike i kovine ponovno vraćaju u različite proizvodne procese.

Za više informacija o sustavu odlaganja otpadaka posjetite lokalni centar za odlaganje otpadaka ili trgovca kod kojeg ste kupili proizvod.

Poštovani kupci! Zahvaljujemo na povjerenju koje ste nam iskazali kupnjom našega proizvoda.

MOLIMO PRIJE MONTAŽE I PRVE UPORABE POMNO PROČITAJTE UPUTE ZA MONTAŽU, UPORABU I ODRŽAVANJE ELEKTRIČNE GRIJALICE VODE.

Grijalica je proizvedena sukladno važećim standardima i službeno je ispitana te su joj dodijeljeni sigurnosni certifikat i certifikat o elektromagnetskoj kompatibilnosti. Osnovna tehnička svojstva grijalice navedena su na natpisnoj tablici koja je nalijepljena između priključnih cijevi. Priključenje grijalice na vodovodnu i električnu mrežu može obaviti isključivo stručno osposobljena osoba. Zahvate u njezinu unutrašnjost zbog popravka ili uklanjanja kamenca može obaviti samo ovlaštena servisna služba.

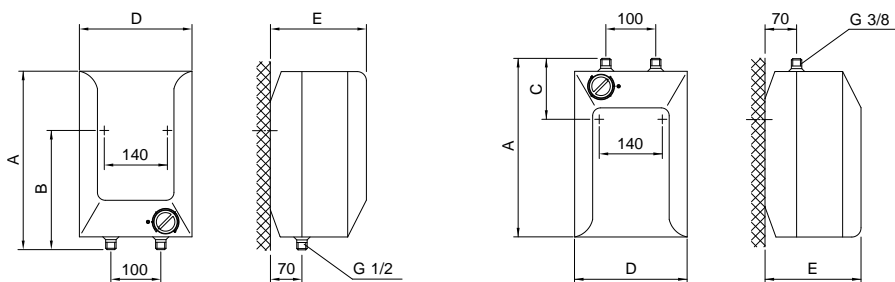
MONTAŽA

Ugradite grijalicu prema shemi i tabeli s mjerama za ugradnju u prostoriju u kojoj ne smrzava, ali što bliže mjestu potrošnje. Pričvrstite ju na zid zidnim vijcima nominalnoga promjera najmanje 5 mm.

U odnosu na vaše potrebe, možete odabrati inačicu iznad umivaonika (TEG 0520 O/A; TEG 1020 O/A) i ispod umivaonika (TEG 0520 U/A; TEG 1020 U/A).

	A	B	C	D	E
TEG 0520 O/A	390	264		256	213
TEG 0520 U/A	390		138	256	213
TEG 1020 O/A	471	371		310	265
TEG 1020 U/A	471		196	310	265

Priključne i montažne mjere grijalice [mm]



Inačica iznad umivaonika

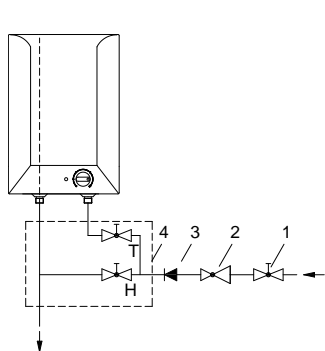
Inačica ispod umivaonika

PRIKLJUČIVANJE NA VODOVODNU MREŽU

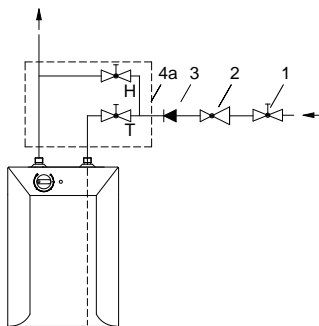
Grijalica je konstruirana za protočni (netlačni) sustav priključenja. Taj sustav omogućuje priključak vode samo na jednom mjestu potrošnje. Priključenje treba obaviti sukladno shemi vodovodnoga priključka.

Za protočni sustav priključenja morate ugraditi odgovarajuću bateriju za miješanje vode. Za inačicu grijalice iznad umivaonika potrebna je protočna baterija koja se postavlja iznad umivaonika, a za inačicu grijalice ispod umivaonika protočna baterija koja se postavlja ispod umivaonika. Dovod i odvod vode označeni su bojama na cijevima grijača. Dovod hladne vode označen je plavom, a odvod tople vode crvenom bojom. Na dovodnu cijev ispred baterije za miješanje vode treba obavezno ugraditi nepovratni ventil koji sprječava istjecanje vode iz kotla ako u mreži nestane vode. Ako tlak u vodovodnoj mreži premašuje 5 bara, ispred baterije za miješanje vode morate ugraditi i redukcijski ventil.

Prilikom odabira protočne baterije za miješanje posebnu pozornost namijenite podatku proizvođača o padu tlaka uslijed otpora koji nastupa prilikom protoka vode kroz bateriju. Kod posve otvorenog odvodnog ventila tlak ne smije premašiti 0,2 bara. Na izljevnu cijev baterije također ne smijete priključivati nikakav uređaj na vodeni pogon ili prskalicu koji bi mogli uzrokovati povećanje tlaka u kotlu grijalice. Ako se ne budete pridržavali tih uputa, može doći do oštećenja grijalice za vrijeme rada.



Inačica iznad umivaonika



Inačica ispod umivaonika

Legenda:

1 - Zaporni ventil

2 - Redukcijski ventil tlaka

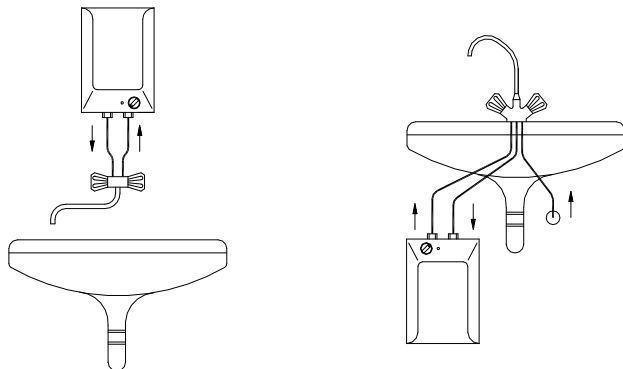
3 - Nepovratni ventil

4 - Protočna baterija za miješanje - iznad umivaonika

4a - Protočna baterija za miješanje - ispod umivaonika

H - Hladna voda

T - Topla voda



Prije električnoga priključenja obvezatno prvo napunite grijalicu vodom! Prilikom prvoga punjenja otvorite ručku s toplom vodom na miješalici. Grijalica je puna kada voda protječe kroz cijev miješalice. Ako prilikom priključenja ne budete napunili grijalicu vodom, prilikom prvog uključenja će doći do oštećenja toplinskog osigurača i grijalica uopće neće raditi.

PRIKLJUČIVANJE NA ELEKTRIČNU MREŽU

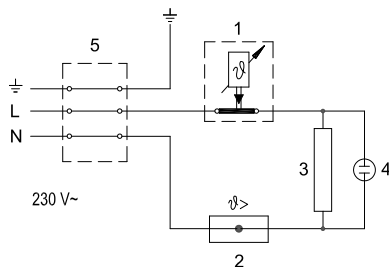
Priključenje grijalice na električnu mrežu mora se obaviti sukladno standardima za električne instalacije. Na električnoj instalaciji mora biti ugrađen uređaj za odvajanje svih polova. Priključite grijalicu na električnu mrežu preko priključnoga kabela. Ako želite ugrađeni kabel zamijeniti novim, duljim, možete ukloniti ugrađeni kabel i pričvrstiti novi u kabelski uvodni element te pritegnuti žice kabela u priključnu spojku. Da biste to učinili, najprije morate skinuti plastičnu oblogu grijalice.

To ćete učiniti tako što ćete najprije ukloniti pločicu (vrijedi za modele s umetnutom pločicom) koja je umetnuta u prednju stranu plastične obloge. Pločicu ćete osloboditi tako što ćete u otvor između umetnute pločice i plastične obloge najprije pored gumba termostata, a zatim i na strani suprotnoga gumba pažljivo gurnuti izvijač. Kada oslobodite pločicu na obje strane, možete ju ukloniti rukom. Nakon toga uklonite gumb termostata i odvijte pričvrtni vijak ispod gumba. Na kraju odvijte i sve vijke za pričvršćenje plastične obloge i uklonite oblogu.

Legenda:

- 1 - Termostat
- 2 - Toplinski osigurač
- 3 - Grijač
- 4 - Signalno svjetlo
- 5 - Priključna spojka

- L - Fazni vodič
- N - Neutralni vodič
- ⊥ - Zaštitni vodič



Električna spojna shema

POZOR! Prije svakoga zahvata u unutarnjost grijalice obvezatno isključiti grijalicu iz električne mreže. Zahvat može obaviti samo osposobljeni stručnjak!

UPORABA I ODRŽAVANJE

Grijalica je pripravna za uporabu nakon priključenja na vodovodnu i električnu mrežu. Okretanjem gumba na termostatu, koji je na prednjoj strani zaštitnoga poklopca, odaberite željenu temperaturu vode do 75 °C. Preporučuje se podešavanje gumba na položaj "e". Takvo je podešavanje najekonomičnije; pritom će temperatura vode biti približno 41 °C za TEG 0520, odnosno približno 35 °C za TEG 1020, a nastanak kamenca i gubitak topline bit će manji nego na podešavanjima na višu temperaturu (pol. II - 55 °C i III - 75 °C). Rad električnoga grijača prikazuje kontrolno svjetlo koje svijetli sve dok se voda u grijalici ne zagrije do odabrane temperature ili do namjenskog isključenja. U grijalici se uslijed zagrijavanja povećava zapremina vode, što uzrokuje kapanje iz cijevi baterije. Jačim zatezanjem ručke na bateriji za miješanje vode ne možete spriječiti kapanje vode već možete samo pokvariti bateriju. Ako nemate namjeru koristiti grijalicu dulje vrijeme, zaštitite njezin sadržaj od smrzavanja tako da ne prekidate dovod električne energije, a gumb termostata podesite na položaj " * ". Pri tome podešavanju grijalica održava temperaturu vode na oko 9 °C. Ako želite isključiti grijalicu iz električne mreže, morate ispustiti vodu z nje kako biste spriječili opasnost od smrzavanja. Voda iz grijalice ispušta se kroz dovodno-odvodnu cijev grijalice.

Vanjski dio grijalice čistite blagom otopinom deterdženta. Nemojte koristiti gruba sredstva za čišćenje.

Redovitim servisnim pregledima osigurat ćete besprijekoran rad i dug životni vijek grijalice. Prvi pregled treba obaviti ovlaštena servisna služba približno dvije godine nakon priključenja. Prilikom pregleda prema potrebi očistite vodeni kamenac koji se s obzirom na kvalitetu, količinu i temperaturu utrošene vode nakuplja u unutrašnjosti grijalice. Servisna služba vam poslije pregleda grijalice sukladno utvrđenome stanju preporuča i datum naredne kontrole.

POZOR! Eventualne kvarove grijalice nemojte popravljati sami već potražite stručnu intervenciju najbliže ovlaštene servisne službe.

TEHNIČKA SVOJSTVA UREĐAJA

Tip		TEG 0520 O/A	TEG 0520 U/A	TEG 1020 O/A	TEG 1020 U/A
Deklarirani profil opterećenja		XXS	XXS	XXS	XXS
Razred energetske učinkovitosti ¹⁾		A	A	A	A
Energetska učinkovitost pri zagrijavanju vode (η_{wh}) ¹⁾	[%]	35,2	35	35,3	35,1
Godišnja potrošnja električne energije ¹⁾	[kWh]	525	527	523	525
Dnevna potrošnja električne energije ²⁾	[kWh]	2,475	2,49	2,464	2,477
Postavka temperature na termostatu		e *			
Vrijednost oznake "smart"		0	0	0	0
Korisna zapremnina	[l]	5,5	5,7	9,8	9,9
Masa grijalice/napunjene vodom	[kg]	3,5 / 8,5		4 / 14	
Snaga električnoga grijača	[W]	2000			
Priključni napon	[V~]	230			
Klasa zaštite		I			
Stupanj zaštite		IP24			
Vrijeme zagrijavanja od 10 °C do 65 °C	[min]	10		20	
Mjere ambalaže	[mm]	215x265x425		275x320x500	

* položaj termostata na oznaci "e" odgovara sljedećem: na 41 °C za TEG 0520, odnosno 35 °C za TEG 1020

1) Uredba komisije EU 812/2013; EN 50440

2) EN 50440

PRIDRŽAVAMO PRAVO NA IZMJENE KOJE NE UTJEČU NA FUNKCIONALNOST UREĐAJA.

Upute za uporabu dostupne su i na našoj internetskoj stranici

<http://www.gorenje.com> .

UPOZORENJA!

- ⚠ Uređaj mogu da koriste deca starija od 8 godina i osobe sa smanjenim telesnim, osetnim ili mentalnim sposobnostima, odnosno nedovoljnim iskustvom ili znanjem samo ako su pod nadzorom ili podučeni o upotrebi aparata na bezbedan način i ako razumeju potencijalne opasnosti.
- ⚠ Deca ne smeju da se igraju uređajem.
- ⚠ Čišćenja i održavanja uređaja ne smeju da obavljaju deca bez nadzora.
- ⚠ Ugradnja mora biti izvedena u skladu sa važećim propisima i prema uputstvima proizvođača. Mora je obaviti stručno osposobljeni monter.
- ⚠ Bojler je građen za protočni (bez pritiska) sistem priključenja na vodovodnu mrežu!
- ⚠ Pre električnog priključivanja, potrebno je bojler obavezno najpre napuniti vodom!
- ⚠ Ako bojler isključite iz električne mreže, zbog opasnosti od zamrzavanja, morate da ispustite vodu iz njega.
- ⚠ Molimo da eventualne kvarove ne popravljate sami nego da o njima obavestite najbližu servisnu službu.



Naši proizvodi su opremljeni komponentama koje nisu štetne po zdravlje i životnu sredinu i napravljeni su tako da ih u njihovoj zadnjoj životnoj fazi možemo što jednostavnije rastaviti i reciklirati.

Reciklažom materijala smanjujemo količine otpadaka i smanjujemo potrebu za proizvodnjom osnovnih materijala (na primer metala) koja zahteva ogromno energije i uzrokuje ispuste štetnih materija. Reciklažnim postupcima tako smanjujemo potrošnju prirodnih resursa jer otpadne delove od plastike i metala ponovo vraćamo u različite proizvodne procese. Za više informacija o sistemu odlaganja otpadaka posetite svoj centar za odlaganje otpadaka ili trgovca, kod koga je proizvod kupljen.

Poštovani kupci, zahvaljujemo vam se štoda ste kupili naš proizvod.
MOLIMO DA PRE MONTAŽE I PRVE UPOTREBE BOJLERA PAŽLJIVO PROČITATE UPUTSTVO.

Bojler je proizveden u skladu sa važećim standardima i zvanično je ispitano, za njega je izdat bezbednosni sertifikat i sertifikat o elektromagnetskoj kompatibilnosti. Njegove osnovne tehničke karakteristike su navedene na natpisnoj pločici koja je zalepljena između priključnih cevi. Priklučenje bojlera na vodovodnu i električnu mrežu može da izvrši samo stručnjak koji je osposobljen za to. Zahvate u njegovu unutrašnjost zbog popravki, uklanjanja vodenog kamenca može obaviti samo ovlašćena servisna služba.

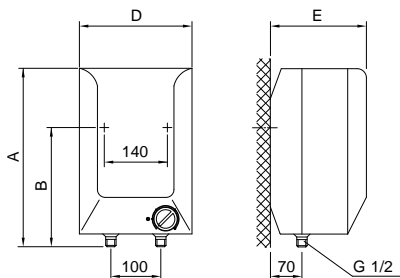
MONTAŽA

Bojler ugradite po shemi i tabeli sa merama za ugradnju u prostor gde ne dolazi do zamrzavanja, ali što bliže potrošnom mestima. Na zid ga pričvrstite zidnim šrafovima nominalnog prečnika minimalno 5 mm.

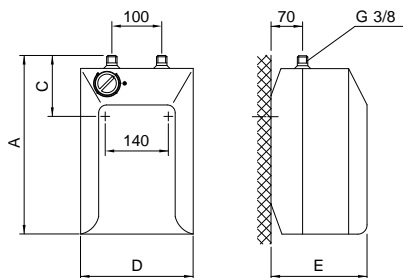
S obzirom na vašu potrebu, možete birati između tipa nad umivaonikom (TEG 0520 O/A; TEG 1020 O/A) i tipa pod umivaonikom (TEG 0520 U/A; TEG 1020 U/A).

	A	B	C	D	E
TEG 0520 O/A	390	264		256	213
TEG 0520 U/A	390		138	256	213
TEG 1020 O/A	471	371		310	265
TEG 1020 U/A	471		196	310	265

Priključne i montažne mere bojlera [mm]



Model nad umivaonikom



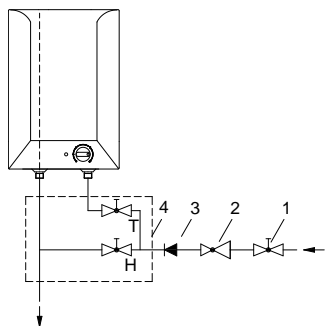
Model pod umivaonikom

PRIKLJUČIVANJE NA VODOVOD

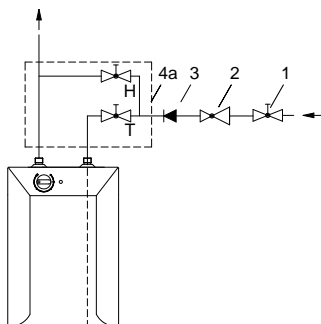
Bojler je građen za protočni (bez pritiska) sistem priključenja. Ovaj sistem omogućava potrošnju vode samo na jednom potrošnom mestu. Priključenje je potrebno izvesti u skladu sa shemom vodovodnog priključka.

Za protočni sistem priključivanja morate da ugradite odgovarajuću bateriju za mešanje. Za izvođenje nad umivaonikom, potrebni su vam protočna baterija za iznad umivaonika, a za izvođenje pod umivaonikom protočna baterija za ispod umivaonika. Dovod i odvod vode su na cevima bojlera označeni bojama. Dovod hladne vode označen je plavom bojom, a odvod tople vode crvenom. Na dovodnu cev ispred baterije za mešanje potrebno je obavezno ugraditi nepovratni ventil koji sprečava isticanje vode iz kotla ako u mreži nema vode. Ako pritisak u vodovodnoj mreži premašuje 5 bara, ispred baterije za mešanje morate ugraditi i redukcioni ventil.

Kod izbora protočne baterije za mešanje posebnu pažnju namenite podatku proizvođača o padovima pritiska zbog otpora koji nastupaju kod protoka vode kroz bateriju za mešanje. Kod potpuno otvorenog istočnog ventila, on ne sme da premašuje 0,2 bara. Na izlivnu cev baterije za mešanje takođe ne smete priključiti nijednu spravu na vodeni pogon ili vodeni raspršivač koji bi mogao da uzrokuje povećanje pritiska u kotlu grejača. Ako se ne budete držali ovih uputstava, tokom rada može doći do oštećenja bojlera.



Varijanta iznad umivaonika



Varijanta ispod umivaonika

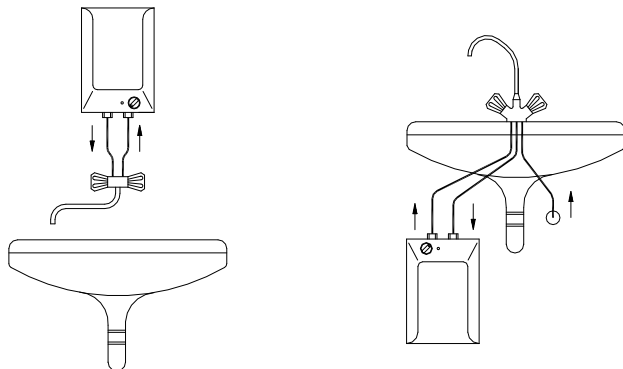
Legenda:

- 1 - Ventil za zatvaranje
- 2 - Ventil za redukciju pritiska
- 3 - Nepovratni ventil
- 4 - Protočna baterija za mešanje - iznad umivaonika

4a - Protočna baterija za mešanje - ispod umivaonika

H - Hladna voda

T - Topla voda



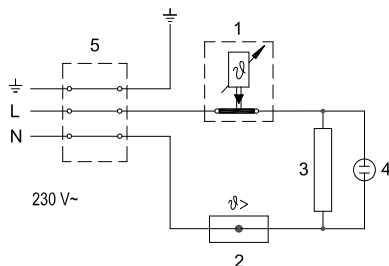
Pre električnog priključivanja, bojler treba obavezno prvo napuniti vodom! Prilikom prvog punjenja, otvorite slavinu za toplu vodu. Bojler je pun kad iz slavine počne da teče voda kroz izlivnu cev baterije za mešanje. Ako bojler kod priključivanja ne napunite vodom, kod prvog uključivanja doći će do oštećenja toplotnog osigurača i bojler uopšte neće raditi.

PRIKLJUČIVANJE NA ELEKTRIČNU MREŽU

Priključivanje bojlera na električnu mrežu mora da se odvija u skladu sa standardima za električne instalacije. U električnoj instalaciji mora da bude ugrađena prirema za odvajanje svih polova. Bojler priključite na električnu mrežu preko priključnog kabla. Ako želite ugrađeni kabl da zamenite novim, dužim, možete ugrađeni kabl da odstranite, a novi da pričvrstite u uvodnicu kabla i žice kabla da privijete u priključnu sponu. Da biste to mogli da uradite, prvo morate da skinete plastičnu oplatu bojlera. To ćete uraditi tako da prvo odstranite pločicu (važi za modele sa umetnutnom pločicom) koja je umetnuta u prednju stranu plastične oplate. Pločicu oslobodite na taj način što u prorez između pločice za umetanje i plastične oplate prvo uz dugme termostata, a zatim i na strani nasuprot dugmeta oprezno gurnete izvijač. Kada pločicu oslobodite na obe strane, možete je odstraniti rukom. Zatim odstranite dugme termostata i odvijte šraf za pričvršćivanje ispod dugmeta. Na kraju odšrafite i sve šrafove za pričvršćivanje plastične oplate i oplatu odstranite.

- 1 - Termostat
- 2 - Toplotni osigurač
- 3 - Grejač
- 4 - Kontrolna svetiljka
- 5 - Priključne klemne

L - Faza
N - Nula
⊕ - Uzemljenje



Šema povezivanja električnih provodnika

UPOZORENJE: Pre svake intervencije u unutrašnjosti bojlera, obavezno isključite bojler iz električne mreže! Intervenciju može obaviti samo osposobljeni stručnjak!

UPOTREBA I ODRŽAVANJE

Posle priključivanja na vodovodnu i električnu mrežu bojler je spreman za upotrebu. Okretanjem dugmeta na termostatu koji je na prednjoj strani zaštitnog poklopca, birate željenu temperaturu vode do 75 °C. Preporučujemo podešavanje dugmeta na položaj "e". Takvo podešavanje je najštedljivije; kod njega će biti temperatura vode približno 41 °C kod TEG 0520 odn. približno 35 °C kod TEG 1020, odvajanje vodenog kamenca i toplotni gubitak će biti manji nego kod podešavanja na višu temperaturu (poz. II - 55 °C i III - 75 °C). Delovanje električnog grejača pokazuje kontrolna svetiljka koja svetli sve dok se voda u bojleru ne zagreje do odabrane temperature ili do namenskog isključivanja. U bojleru se zbog zagrevanja zapremina vode povećava, a to uzrokuje kapanje iz cevi baterije za mešanje. Jakim zatezanje ručice na bateriji za mešanje ne možete sprečiti kapanje vode, već možete bateriju da pokvarite.

Ako nemate nameru da koristite bojler duže vremena, zaštitite njegov sadržaj od smrzavanja tako da ne isključujete električnu energiju, a dugme termostata podesite na položaj " * ". Na tom podešavanju će bojler održavati temperaturu vode na približno 9 °C. Ukoliko isključite bojler iz električne mreže, morate da ispustite vodu iz njega zbog opasnosti od smrzavanja vode. Voda iz bojlera se prazni kroz dovodnu/odvodnu cev bojlera.

Spoljašnjost bojlera čistite blagim tečnim sredstvima za čišćenje. Nemojte koristiti razređivače i gruba sredstva za čišćenje.

Redovnim servisnim pregledima obezbedićete besprekorno delovanje i dug životni vek bojlera. Prvi pregled neka ovlašćena servisna služba obavi približno dve godine posle priključenja. Prilikom pregleda se po potrebi čisti vodeni kamenac, koji se s obzirom na kvalitet, količinu i temperaturu potrošene vode sakuplja u unutrašnjosti bojlera. Servisna služba će vam posle pregleda bojlera, s obzirom na utvrđeno stanje, preporučiti i datum sledeće kontrole.

Molimo da eventualne kvarove ne popravljate sami nego da o njima obavestite najbližu servisnu službu.

TEHNIČKE KARAKTERISTIKE BOJLERA

Tip		TEG 0520 O/A	TEG 0520 U/A	TEG 1020 O/A	TEG 1020 U/A
Određeni profil opterećenja		XXS	XXS	XXS	XXS
Razred energetske efikasnosti ¹⁾		A	A	A	A
Energetska efikasnost pri zagrevanju vode (η_{wh}) ¹⁾	[%]	35,2	35	35,3	35,1
Godišnja potrošnja električne energije ¹⁾	[kWh]	525	527	523	525
Dnevna potrošnja električne energije ²⁾	[kWh]	2,475	2,49	2,464	2,477
Podешavanje temperature termostata		e *			
Vrednost "smart"		0	0	0	0
Zapremina	[l]	5,5	5,7	9,8	9,9
Masa/napunjen vodom	[kg]	3,5 / 8,5		4 / 14	
Snaga električnog grejača	[W]	2000			
Napon napajanja	[V~]	230			
Klasa zaštite		I			
Stepen zaštite		IP24			
Vreme zagrevanja od 10 °C do 65 °C	[min]	10		20	
Mere ambalaže	[mm]	215x265x425		275x320x500	

* pozicija termostata na oznaci "e" odgovara kod 41 °C kod TEG 0520 odn. 35 °C kod TEG 1020

1) Uredba komisije EU 812/2013; EN 50440

2) EN 50440

ZADRŽAVAMO PRAVO NA PROMENE, KOJE NE UTIČU NA FUNKCIONALNOST APARATA.

Uputstvo za upotrebu je na raspolaganju i na našoj internet strani
<http://www.gorenje.com> .

VËREJTJE!

⚠️ Aparatin mund ta përdorin fëmijët e moshës tetëvjeçare dhe më të vjetër, si dhe personat me aftësi të zvogëluara fizike, ndjenjësore dhe mendore, apo me mungesë të përvojës, gjegjësisht të dijes, nëse ata janë nën mbikëqyrje, apo nëse janë të trajnuar rreth përdorimit të aparatit në mënyrë të sigurt dhe që i kuptojnë rreziqet e mundshme.

⚠️ Fëmijët nuk guxojnë të luajnë me aparat.

⚠️ Pastrimin dhe mirëmbajtjen e aparatit nuk mund ta bëjnë fëmijët pa mbikëqyrje.

⚠️ Montimi duhet të bëhet në pajtim me dispozitat ekzistuese si dhe me udhëzimet e prodhuesit. Atë duhet ta bëjë montuesi i aftësuar profesionalisht.

⚠️ Bojleri është montuar për sistemin qarkullues (pa presion) të montimit në rrjetin e ujësjellësit!

⚠️ Para lidhjes në rrjetin elektrik, bojleri domosdo duhet të mbushet fillimisht me ujë!

⚠️ Nëse e çkyçni bojlerin nga rrjeti elektrik, duhet ta derdhni ujin për shkak të rrezikut të ngrirjes.

⚠️ Ju lutemi, që prishjet eventuale në bojler të mos i ndreqni vetë, por për ato lajmërojeni shërbimin më të afërt të autorizuar servisor.



Prodhimet tona janë të pajisura nga komponentët e parrezikshme për mjedisin dhe për shëndetin, si dhe të punuara ashtu, që në fazën e tyre të fundit jetësore t'i demontojmë dhe t'i riciklojmë sa më thjesht.

Me riciklimin e materialeve e zvogëlojmë sasinë e mbeturinave dhe e zvogëlojmë nevojën për prodhimin e materialeve themelore (për shembull metalit), që kërkon energji të madhe dhe shkakton emetim të materieve të dëmshme. Kështu, me proceset e riciklimit e zvogëlojmë harxhimin e burimeve natyrore, pasi që mbeturinat nga plastika dhe metali i kthejmë përsëri në procese të ndryshme prodhuese.

Për më shumë informata mbi sistemin e hedhjes së mbeturinave vizitoni qendrën tuaj për hedhjen e mbeturinave, apo tregtarin, tek i cili është blerë produkti.

**I nderuar blerës, ju falënderojmë për blerjen e prodhimit tonë.
JU LUTEMI, QË PARA INSTALIMIT DHE PËRDORIMIT TË PARË TË BOJLERIT,
T’I LEXONI ME VËMENDJE UDHËZIMET.**

Bojleri është i prodhuar në pajtim me standardet në fuqi dhe është i sprovuar zyrtarisht, ndërsa për të, janë të lëshuar certifikata e sigurisë dhe certifikata mbi kompatibilitetin elektromagnetik. Karakteristikat e tij themelore teknike janë të shënuara në tabelën e shënimeve, të ngjitur ndërmjet gypave hyrës. Bojlerin mund ta lidhë në rrjetin elektrik dhe të ujësjellësit vetëm profesionisti i aftësuar. Ndërhyrjet në brendësinë e tij me qëllim të përmirësimit, pastrimit të gurit të ujit mund ta bëjë vetëm shërbimi i autorizuar i servisit

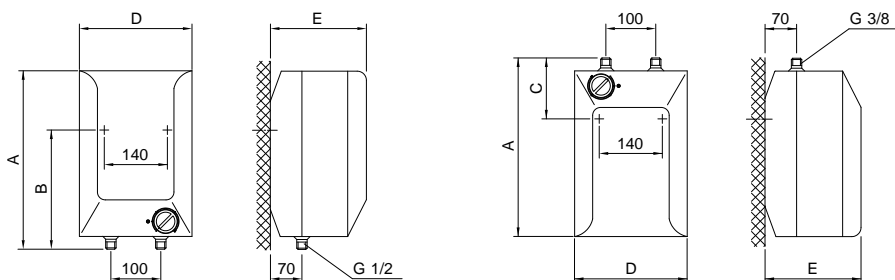
MONTIMI

Bojlerin e montoni sipas shemës dhe tabelës me dimensione për montim në hapësirë ku nuk ka ngrirje, por sa më afër vendit të furnizimit. Në mure e përforconi me vidha të murit me diametër minimal 5 mm.

Varësisht nga nevoja juaj, mund të zgjidhni tipin mbi sqoll (TEG 0520 O/A; TEG 1020 O/A) ose tipin nën sqoll (TEG 0520 U/A; TEG 1020 U/A).

	A	B	C	D	E
TEG 0520 O/A	390	264		256	213
TEG 0520 U/A	390		138	256	213
TEG 1020 O/A	471	371		310	265
TEG 1020 U/A	471		196	310	265

Dimensionet e kyçjes dhe montimit të bojlerit [mm]



Montimi mbi sqoll

Montimi nën sqoll

LIDHJA NË RRJETIN E UJËSJELLËSIT

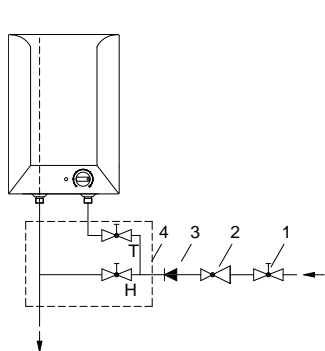
Bojleri është i punuar për sistemin qarkullues (pa presion) të montimit. Ky sistem mundëson marrjen e ujit mu në vendin e furnizimit. Lidhja duhet të bëhet në pajtim me shemës e lidhjes së ujësjellësit.

Për sistemin qarkullues duhet ta montoni baterinë përkatëse përzierëse. Për versionin mbi sqoll (lavaman) u duhet bateria qarkulluese mbi sqoll, ndërsa për versionin nën sqoll, bateria qarkulluese për nën sqoll

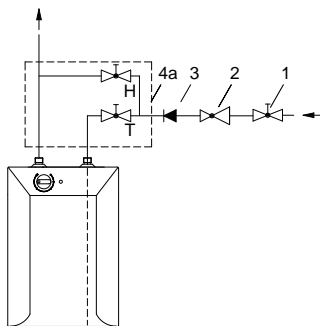
Prurja dhe derdhja e ujit janë të shënuara në gypat e bojlerit me ngjyra. Prurja e ujit të ftohtë është shënuar me të kaltër, ndërsa derdhja re ujit të nxehtë me të kuqe. Në gypin prurës, para baterisë përzierëse medoemos duhet të montohet valvulin jo-kthyes, që parandalon derdhjen e ujit nga rezervuari, nëse në rrjetë mungon uji.

Nëse presioni në rrjetin e ujësjellësit tejkalon 5 bar, para baterisë përzierëse duhet ta montoni edhe ventilin reduktues.

Gjatë zgjedhjes së baterisë përzierëve qarkulluese, kujdes të posaçëm duhet t'i kushtoni të dhënave të prodhuesit mbi rënien e presionit për shkak të rezistencave, që paraqiten gjatë qarkullimit të ujit nëpër baterinë përzierëse. Te ventili krejtësisht i hapur dalës kjo nuk guxon të tejkalojë 0,2 bar. Në gypin derdhës të baterisë përzierëse gjithashtu nuk mund të lidhni asnjë pajisje me ujë si lëvizës, apo spërkatëse të ujit që do të shkaktonte rritjen e presionit të ujit në rezervuar të bojlerit. Nëse nuk u përmbaheni këtyre udhëzimeve, gjatë funksionimit mund të vijë deri dëmtimi i bojlerit.



Versioni mbi sqoll



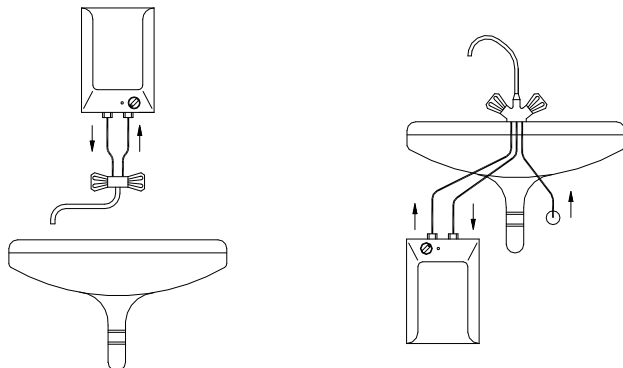
Versioni nën sqoll

Legjenda:

- 1 - Valvuli mbyllës
- 2 - Valvuli reduktues i shtypjes
- 3 - Valvuli jo-kthyes (ireverzibil)
- 4 - Bateria përzierëse mbi vendin e harxhimit

4a - Bateria përzierëse nën vendin e harxhimit

H - Uji i ftohtë
T - Uji i ngrohtë



Para lidhjes në rrjetin elektrik, bojleri domosdo duhet të mbushet fillimisht me ujë. Te mbushja e parë, çeleni dorëzën për ujë të ngrohtë në baterinë përzierëse. Bojleri është i mbushur, kur uji arrin nëpër gypin dalës të baterisë përzierëse. Nëse me rastin e montimit bojlerin nuk e mbushni me ujë, me rastin e kyçjes së parë do të vijë deri te dëmtimi i siguresës termike, dhe bojleri nuk do të punojë.

LIDHJA NË RRJETIN ELEKTRIK

Lidhja e bojlerit në rrjetin elektrik duhet të bëhet në pajtim me standardet për instalimet elektrike. Në instalimin elektrik duhet të montohet pajisja për ndërprerjen e të dy poleve. Bojlerin e lidhni në rrjetin elektrik nëpërmes kablos kyçëse. Nëse dëshironi ta ndërroni kablлон me kabllо të re, më të gjatë, kabllон e bashkëngjitur mund ta hiqni dhe ta montoni kabllон e re në kanalın për kabllо, ndërsa telat t'i shtrëngoni në vendlidhje. Për ta bërë këtë, fillimisht duhet ta largoni mbështjelljen plastike të bojlerit.

Këtë mund ta bëni ashtu, që së pari e largoni pllakën (vlen për modele me pllakën futëse), që është e futur në pjesën e përparme të mbështjellësit plastik. Pllakën e lironi ashtu që në vrimën ndërmjet pllakës futëse dhe mbështjellësit plastik fillimisht e fusim me kujdes kaçavidën në anën e pullës së termostatit, e pastaj edhe në anën e kundërt të pullës

Kur ta lironi pllakën në të dy anët, mund ta largoni me dorë. Pastaj e largoni pullën e termostatit dhe e zhridhni vidhën shtrënguese nën pullë. Në fund i largoni të gjitha vidhat për shtrëngimin e mbështjellësit plastik.

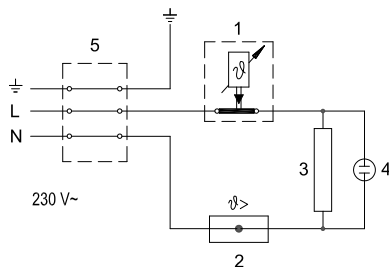
Legjenda:

- 1 - Termostati
- 2 – Siguresa termike
- 3 - Rezistuesi (ngrohësi)
- 4 - Ilamba kontrolluese
- 5 - Pjesa lidhëse

L - Përçuesi fazor

N - Përçuesi neutral

⊕ - Përçuesi mbrojtës



Skema e lidhjes elektrike

VËRREJTJE: Para çdo ndërhyrjeje në brendësi të bojlerit, ç'kyçeni atë medoemos nga rrjeti elektrik! Ndërhyrjen mund ta bëjë vetëm eksperti i aftësuar!

PËRDORIMI DHE MIRËMBAJTJA

Pas kyçjes në rrjetin e ujit dhe të rrymës elektrike, ngrohësi i ujit (bojleri) është i përgatitur për përdorim.

Me sjelljen e pullës së termostatit në anën e përparme të kapakut mbrojtës e zgjidhni temperaturën e dëshiruar të ujit deri në 75 °C. Preferojmë vendosjen e pullës në pozitën "e". Në pozitën e tillë kursehet më së shumti; në këtë pozitë temperatura e ujit do të jetë afërsisht 41 °C te TEG 0520 gjegjësisht për afërsisht 35 °C te TEG 1020, ndërsa ekstraktimi i gurit të ujit dhe humbjet termike do të jenë më të vogla se në rregullimin e temperaturave më të larta. (poz. II - 55 °C dhe III - 75 °C). Funkzionimin e ngrohësit elektrik e tregon llamba kontrolluese, që shndrit deri uji në rezervuar të mos e arrijë temperaturën e zgjedhur, apo deri te ndalja e qëllimtë.

Për shkak të ngrohjes vëllim9i i ujit në rezervuar rritet, gjë që shkakton pikëlimin e ujit nga gypat e baterisë përzierëse. Me shtrëngimin më të fuqishëm të dorezës së baterisë përzierëse nuk mund ta ndërpritni ujin, por mund ta prishni baterinë.

Nëse nuk e keni ndërmend ta përdorni bojlerin për një kohë të gjatë, sigurojeni përmbytjen e tij nga ngrirja ashtu që të mos ç'kyçni elektrikun, por pullën e termostatit rregullojeni në pozicionin "X". Te ky rregullim, ngrohësi do të mbaj temperaturën e ujit te për afërsisht në 9 °C. Nëse megjithatë do ta shkyçni bojlerin nga rrjeti elektrik, për shkak të rrezikut të ngrirjes duhet ta zbrazni ujin nga ai. Uji nga rezervuari zbrazet nëpër gypin prurës/derdhës të bojlerit.

Pjesën e jashtme të bojlerit pastrojeni me tretjen e butë të detergjentit për larje. Mos përdorni lëndë pastruese të vrazhda.

Me kontrollimet e rregullta servitore do të siguroni funksionimin e përsosur dhe jetëgjatësinë më të madhe të bojlerit. Kontrollin e parë le ta bëjë shërbimi i autorizuar servisor për afërsisht dy vjet pas montimit. Gjatë kontrollit sipas nevojës pastrohet edhe guri i ujit , që varësisht nga kualiteti, sasia dhe temperatura e ujit të përdorur mblihdhet në brendësinë e bojlerit. Shërbimi servisor pas kontrollit të bojlerit, e varësisht nga gjendja e konstatuar do ta preferojë edhe datën e kontrollit tjetër.

Ju lutemi, që prishjet eventuale në bojler të mos i ndreqni vetë, por për ato lajmërojeni shërbimin më të afërt të autorizuar servisor.

CILËSITË TEKNIKE TË APARATIT

Tipi		TEG 0520 O/A	TEG 0520 U/A	TEG 1020 O/A	TEG 1020 U/A
Profili i caktuar i ngarkesës		XXS	XXS	XXS	XXS
Klasa e efikasitetit energjetik ¹⁾		A	A	A	A
Efikasiteti energjetik gjatë ngrohjes së ujit (η _{wh}) ¹⁾	[%]	35,2	35	35,3	35,1
Harxhimi vjetor i energjisë elektrike ¹⁾	[kWh]	525	527	523	525
Harxhimi ditor i energjisë elektrike ²⁾	[kWh]	2,475	2,49	2,464	2,477
Regullimi i temperaturës së termostatit		e			
Vlera "smart"		0	0	0	0
Vëllimi	[l]	5,5	5,7	9,8	9,9
Masa / i mbushur me ujë	[kg]	3,5 / 8,5		4 / 14	
Fuqia kyçëse	[W]	2000			
Tensioni	[V~]	230			
Klasa e mbrojtjes		I			
Shkalla e mbrojtjes nga lagështia		IP24			
Koha e ngrohjes prej 10 °C deri 65 °C	[min]	10		20	
Dimensionet e ambalazhit	[mm]	215x265x425		275x320x500	

* pozita e termostatit në shenjë "e" i përgjigjet 41 °C te TEG 0520 gjegjësisht 35 °C te TEG 1020

1) Urdhri i komisionit EU 812/2013; EN 50440

2) EN 50440

E RUAJMË TË DREJTËN E NDRYSHIMEVE, QË NUK NDIKOJNË NË FUNKSIONALITETIT E APARATIT.

Udhëzimet për përdorim janë në dispozicion edhe në ueb faqet tona

<http://www.gorenje.com> .

ПРЕДУПРЕДУВАЊА!

- ⚠ Апаратот можат да го употребуваат деца на возраст од 8 години и постари и лица со намалени физички, психички или ментални способности или со недостаток на искуства, односно знаење, доколку се под надзор или се поучени за употреба на апаратот на безбеден начин и ги разбираат можните опасности.
- ⚠ Децата не смеат да си играат со апаратот.
- ⚠ Чистење и одржување на апаратот не смеат да го вршат деца без надзор.
- ⚠ Вградувањето мора да биде изведено во согласност со важечките закони и според упатствата на производителот. Мора да биде изведено од стручно оспособен monter.
- ⚠ Греалката е направена за проточни (не под притисок) системи за приклучување на водоводната мрежа!
- ⚠ Пред приклучувањето на електрична мрежа греалката треба најпрвин да ја наполните со вода!
- ⚠ Ако сакате греалката за вода (бојлерот) да ја исклучите од електричната мрежа, мора да ја испуштите водата од греалката за вода поради опасност од замрзнување.
- ⚠ Ве молиме да не ги поправате сами евентуалните оштетувања на греалката, туку за тоа да го известите најблискиот овластен сервис.



Нашите производи се опремени со компоненти кои што не се штетни за животната средина и здравјето и се изработени со можност што поедноставно да се расклопат и рециклираат во последната фаза од нивниот работен циклус.

Со рециклирањето на материјалите ја намалуваме количината на отпад и ја намалуваме потребата од производство на основни материјали (на пример метали), што бара огромна енергија и предизвикува испуштање штетни материји. Со постапките на рециклажа ја намалуваме потрошувачката на природни ресурси, бидејќи на тој начин можеме повторно да ги вратиме отпадните делови од пластика и метали во различни производни процеси.

За повеќе информации во врска со системот за фрлање отпадоци посетете го својот центар за исфрлање на отпадоците или трговецот каде што бил купен производот.

Почитуван купувачу, ви благодариме за довербата што ни ја искажувате со купувањето на нашиот производ!
ПРЕД ВГРАДУВАЊЕТО И ПРВАТА УПОТРЕБА НА ГРЕАЛКАТА ЗА ВОДА, ВНИМАТЕЛНО ПРОЧИТАЈТЕ ГИ НАШИТЕ УПАТСТВА.

Греалката е изработена согласно важечките стандарди и уредно испробана и за неа се издадени сертификат за безбедност и сертификат за електромагнетна компатибилност. Нејзините основни технички карактеристики се наведени на натписната табличка, која е залепена помеѓу приклучните цевки на апаратот. Приклучувањето на бојлерот на електричната или водоводната мрежа може да го изврши само оспособено стручно лице. Зафатите во неговата внатрешност заради поправки и отстранување на бигорот може да ги врши само овластена сервисна служба.

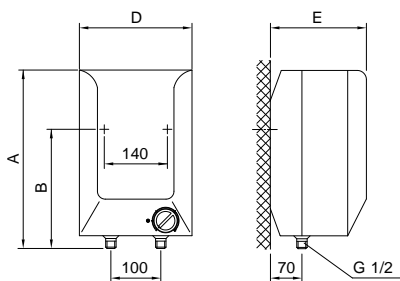
ВГРАДУВАЊЕ

Вградете ја греалката според шемата и табелата со мерки за вградување во простор каде што нема појава на мраз, но сепак што поблизу до местото на користење. Прицврстете ја на сидот со сидните завртки со номинален пречник од најмалку 5 mm.

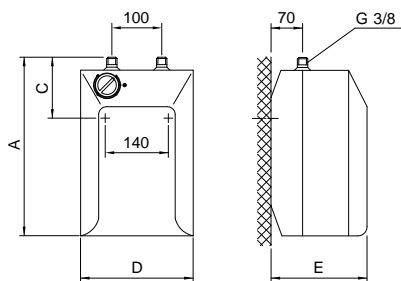
Во однос на вашите потреби, може да избирате помеѓу типот за вградување над мијалник (TEG 0520 O/A; TEG 1020 O/A) и типот за вградување под мијалник (TEG 0520 U/A; TEG 1020 U/A).

	A	B	C	D	E
TEG 0520 O/A	390	264		256	213
TEG 0520 U/A	390		138	256	213
TEG 1020 O/A	471	371		310	265
TEG 1020 U/A	471		196	310	265

Приклучни и монтажни димензии на греалката [мм]



Изведба над мијалник



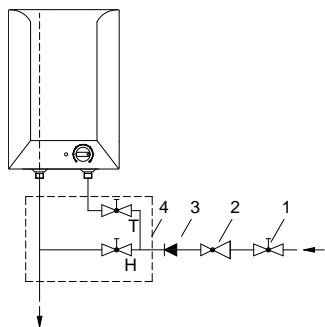
Изведба под мијалник

ПРИКЛУЧУВАЊЕ НА ВОДОВОДНА МРЕЖА

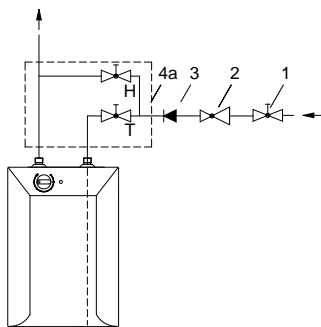
Греалката е направена за проточен (не под притисок) систем за приклучување. Таквиот систем овозможува приклучок на вода само на едно корисничко место. Приклучувањето треба да се изведе во согласност со шемата за водоводниот приклучок.

За проточниот систем за приклучување мора да вградите соодветна батерија со мешање. За изведбата над мијалник ви треба проточна батерија за над мијалник, а за изведбата под мијалник ви треба проточна батерија за под мијалник. Доводот и одводот на водата на цевките на греалката се означени со бои. Доводот на ладна вода е означен со сина, а одводот на топла со црвена боја. На доточната цевка, пред батеријата со мешање, задолжително треба да се вгради неповратен вентил кој го препречува истекувањето на водата од котелот кога ќе нема вода во мрежата. Ако притисокот во водоводната мрежа надминува 5 бари, пред батеријата за мешање треба да вградите и редукуциски вентил.

При изборот на проточна батерија за мешање, особено обрнете внимание на податоците од производителот за падовите на притисокот, заради отпорите што настануваат при протокот на вода низ батеријата за мешање. Кај целосно отворен истечен вентил, тој не смее да надминува 0,2 бари. На изливната цевка на батеријата за мешање, исто така не смеете да приклучите никаква направа на воден погон или воден распрскувач, кои би можеле да предизвикаат зголемување на притисокот во котелот на греалката. Ако не се придржувате до овие упатства, може да настанат оштетувања на греалката при работата.



Изведба над мијалник



Изведба под мијалник

Легенда:

1 - Затворен вентил

2 - Редукуциски вентил за притисок

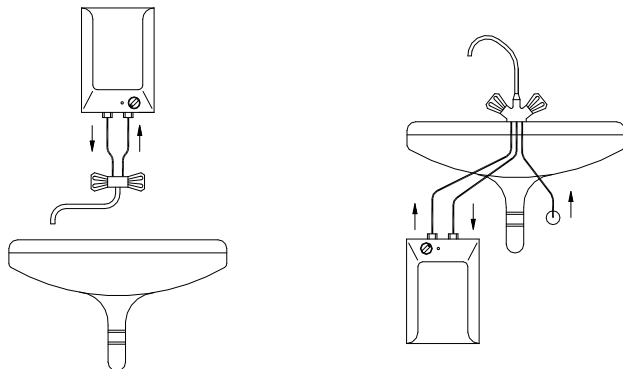
3 - Неповратен вентил

4 - Проточна батерија за мешање – над мијалник

4a - Проточна батерија за мешање – под мијалник

H - Ладна вода

T - Топла вода



Пред да се приклучи на електричната мрежа, греалката за вода (бојлерот) задолжително треба претходно да се наполни со вода! Кај првото полнење отворете ја рачката за топла вода на батеријата за мешање. Греалката е наполнета кога водата протечува низ изливната цевка на мешалната батерија. Доколку при приклучувањето греалката не ја наполните со вода, при првото вклучување може да настане оштетување на топлотниот осигурувач и греалката воопшто нема да работи.

ПРИКЛУЧУВАЊЕ НА ЕЛЕКТРИЧНА МРЕЖА

Приклучувањето на греалката на електричната мрежа мора да се одвива во согласност со стандардите за електрични инсталации. Во електричната инсталација мора да биде вградена подготовка за одвојување на сите полови. Приклучете ја греалката на електричната мрежа преку приклучен кабел. Ако сакате вградениот кабел да го замените со нов и подолг, може да го одстраните вградениот кабел, а новиот да го прицврстите во водилката за кабел и жиците да ги завртите во приклучната спојка. За да можете да го сторите тоа, мора прво да ја тргнете пластичната облога на греачот.

Сторете го тоа така што прво ќе ја отстраните плочката (важи за сите модели со плочка што се вметнува), која е поставена на предната страна на пластичната облога. Ослободете ја плочката така што во мрежата помеѓу плочката што се вметнува и пластичната облога, најпрво покрај копчето на термостатот, а потоа и на страната наспроти копчето, внимателно внесете одвртвач. Откако ќе ја ослободите плочката од двете страни, отстранете ја со рака. Потоа, отстранете го копчето на термостатот и одвртете ја завртката за прицврстување под копчето. На крај, одвртете ги сите завртки за прицврстување на пластичната облога и отстранете ја облогата.

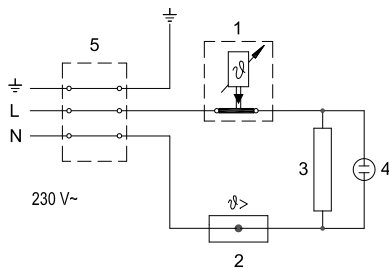
Легенда:

- 1 - Термостат
- 2 - Топлински осигурувач
- 3 - Грејач
- 4 - Контролна ламбичка
- 5 - Приклучна спојка

L - Фазен спроводник

N - Неутрален спроводник

≡ - Заштитен спроводник



Шема на електрично поврзување

ПРЕДУПРЕДУВАЊЕ: пред секое навлегување во нејзината внатрешност треба греалката задолжително да ја исклучите од електричната мрежа. Работите може да ги изведува само оспособено стручно лице!

УПОТРЕБА И ОДРЖУВАЊЕ

По приклучување во водоводната и електричната мрежа, греалката е подготвена за употреба. Со вртење на копчето на термостатот, кое е на предната страна на заштитниот капак, ја избирате саканата температура на вода до 75°C. Препорачуваме поставување на копчето на положба „e“. Таквото поставување е најекономично и со тоа температурата на водата ќе биде приближно 41°C кај TEG 0520 односно приближно 35°C кај TEG 1020, а таложењето на бигорот и топлотната загуба ќе бидат помали отколку при поставување на повисока температура (поз. II - 55°C и III - 75°C). Работењето на електричниот грејач го покажува контролната светилка, која свети сè додека водата во грејачот не се загрее до избраната температура или до наменското исклучување. Заради загревањето, волуменот на водата во греалката се зголемува, а тоа предизвикува капење од цевката на батеријата за мешање. Со силно стегнување на рачката на батеријата за мешање не можете да го спречите капењето на водата, туку може да ја расипете батеријата.

Доколку греалката не мислите да ја користите подолго време, треба неговата содржина да ја заштитите од замрзнување на таков начин што струјата нема да ја исклучите, а копчето на термостатот ќе го подесите на положбата "X". При тоа подесување, греалката ќе ја одржува температурата на водата на приближно 9 °C. Доколку греалката ќе ја исклучите од електричната мрежа, ќе треба при опасноста на замрзнување, водата да ја испуштите. Водата од греалката се празни преку доточно/истечната цевка на греалката.

Надворешноста на бојлерот чистете ја со неагресивен раствор на прашок за перење. Не употребувајте разредувачи или груби средства за чистење.

Со редовни сервисни прегледи ќе овозможите непречено работење и долг работен век на греалката. Овластениот сервисер нека го направи првиот преглед по две години од приклучувањето. При прегледот, по потреба се чисти бигорот, кој во однос на квалитетот, количината и температурата на потрошената вода, се собира во внатрешноста на греалката. Според констатираната состојба, сервисната служба ќе ви препорача датум за следна контрола по прегледот на греалката.

Ве молиме, евентуелните оштети на греалката да не ги поправате сами туку за тоа да го известите најблискиот овластен сервис.

ТЕХНИЧКИ КАРАКТЕРИСТИКИ НА ГРЕАЛКАТА

Тип		TEG 0520 O/A	TEG 0520 U/A	TEG 1020 O/A	TEG 1020 U/A
Определен профил на оптоварување		XXS	XXS	XXS	XXS
Класа на енергетска ефикасност ¹⁾		A	A	A	A
Енергетска ефикасност при загревање на вода (η_{wh}) ¹⁾	[%]	35,2	35	35,3	35,1
Годишна употреба на електрична енергија ¹⁾	[kWh]	525	527	523	525
Дневна употреба на електрична енергија ²⁾	[kWh]	2,475	2,49	2,464	2,477
Поставена температура на термостатот		e *			
Вредност "smart" ³⁾		0	0	0	0
Зафатнина	[l]	5,5	5,7	9,8	9,9
Тежина/наполнето вода	[kg]	3,5 / 8,5		4 / 14	
Јакост на електричната греалка	[W]	2000			
Приклучен напон	[V~]	230			
Заштитна класа		I			
Степен на заштита		IP24			
Време за загревање од 10°C до 65°C	[min]	10		20	
Димензии на амбалажата	[mm]	215x265x425		275x320x500	

* положбата на термостатот со ознака „e“ е соодветна на 41°C кај TEG 0520 односно 35°C кај TEG 1020

1) Уредба на комисија EU 812/2013; EN 50440

2) EN 50440

ГО ЗАДРЖУВАМЕ ПРАВОТО ЗА ИЗМЕНИ КОИ НЕ ВЛИЈААТ НА ФУНКЦИОНАЛНОСТА НА АПАРАТОТ.

Упатствата за употреба може да ги најдете и на нашата веб-локација:

<http://www.gorenje.com>.

