

EN

gorenje

DETAILED INSTRUCTIONS FOR USE OF REFRIGERATOR- FREEZER

RBIU6091AW-SA



Made in Serbia

www.gorenje.com

We thank you for the confidence you have shown by purchasing our appliance. We wish you find a lot of pleasure in its use.

The appliance is intended solely for household use.

The lower part is the refrigerator compartment intended for storing fresh food at temperatures above 0°C.

The upper part is the freezer compartment intended for freezing fresh food and long-term storage of frozen food (up to one year, depending on the type of food). This compartment is labeled with four stars / asterisks.

Link to the EU EPREL database

The QR code on the energy label supplied with the appliance provides a web link to the registration of this appliance in the EU EPREL database. Keep the energy label for reference together with the user manual and all other documents provided with this appliance.

It is possible to find information related to the performance of the product in the EU EPREL database using the link <https://eprel.ec.europa.eu> and the model name and product number that you can find on the rating plate of the appliance.

For more detailed information about the energy label, visit www.theenergylabel.eu.

TABLE OF CONTENTS

| | |
|---|--|
| 4 IMPORTANT NOTES AND PRECAUTIONS 10 ADVICE FOR SAVING POWER WITH REFRIGERATION APPLIANCES | INTRODUCTION |
| 11 APPLIANCE DESCRIPTION 12 INSTALLATION AND CONNECTION 13 OPERATING THE APPLIANCE 15 APPLIANCE INTERIOR EQUIPMENT 17 STORING FOOD IN THE REFRIGERATOR | APPLIANCE DESCRIPTION |
| 19 FREEZING AND STORING FROZEN FOOD 19 Freezing process 19 Important warnings on freezing fresh food 20 Storage of industrially frozen food 20 Frozen food storage time 20 Defrosting frozen food | STORING AND FREEZING FOOD |
| 21 DEFROSTING THE APPLIANCE 22 CLEANING THE APPLIANCE | DEFROSTING AND CLEANING THE APPLIANCE |
| 23 TROUBLESHOOTING 26 INFORMATION ABOUT APPLIANCE NOISE | OTHER |

IMPORTANT NOTES AND PRECAUTIONS

BEFORE USING THE APPLIANCE FOR THE FIRST TIME

Before connecting the appliance to the power mains, please read carefully the instructions for use which describe the appliance and its correct and safe use. The instructions apply to several appliance types/models; thus, settings or equipment may be described herein which is not available in your appliance. We recommend saving this instruction manual for future reference and attach it to the appliance if it is sold in the future.

Check for any damage or irregularities on your appliance. If you find your appliance is damaged, notify the retailer from which you have purchased the appliance.

Before connecting the appliance to the power mains, let the appliance rest in a vertical position for a minimum of 2 hours. This will reduce the possibility of operation faults due to the effect of transport on the cooling system.



IMPORTANT SAFETY INSTRUCTIONS



WARNING! Risk of fire/flammable materials.

The appliance must be connected to the power mains and grounded in compliance with the effective standards and regulations.

WARNING! Do not locate multiple portable socket-outlets or portable power supplies at the rear of the appliance.

Before cleaning the appliance, unplug it from the power mains (unplug the power cord from the wall outlet).

WARNING! If the supply cord is damaged, it must be replaced by the manufacturer, its service agent or similarly qualified persons in order to avoid a hazard.

WARNING! When positioning the appliance, ensure the supply cord is not trapped or damaged.

If LED lighting does not work, call a service technician. Do not attempt a repair of the LED lighting yourself, as there is danger of contact with high voltage!



WARNING! Do not use any electric devices inside the appliance, except for those allowed by the manufacturer of this refrigeration appliance.



WARNING! Do not use mechanical devices or other means to accelerate the defrosting process, other than those recommended by the manufacturer.



WARNING! To avoid any hazard resulting from poor stability of the appliance, make sure it is installed as instructed.

Danger of frostbite

Never put frozen food in your mouth and avoid touching frozen food as this may cause frostnip or frostbite.

Safety of children and vulnerable persons

The appliance is not intended for use by persons (including children) with reduced physical, sensory or mental capabilities, or lack of experience and knowledge, unless they have been given supervision or instruction concerning use of the appliance by a person responsible for their safety.

Children should be supervised to ensure that they do not play with the appliance.

Cleaning and user maintenance shall not be made by children without supervision.

Cleaning and user maintenance shall not be made by children without supervision.

Remove the packaging intended to protect the appliance or particular parts during transport and keep it outside the reach of children.

It presents danger of injury or suffocation.

For European markets only

This appliance can be used by children aged from 8 years and above and persons with reduced physical, sensory or mental capabilities or lack of experience and knowledge if they have been given supervision or instruction concerning use of the appliance in a safe way and understand the hazards involved.

Children shall not play with the appliance.

Cleaning and user maintenance shall not be made by children without supervision.

Children aged from 3 to 8 years are allowed to load and unload refrigerating appliances.

Warning regarding the refrigerant

The appliance contains a small amount of an environmentally friendly yet flammable gas R600a. Make sure that no parts of the cooling system are damaged. A gas leak is not hazardous to the environment, but it could cause eye injury or fire. In case of a gas leak, ventilate the room thoroughly, disconnect the appliance from the power mains, and call a service technician.

IMPORTANT INFORMATION ON THE USE OF APPLIANCE

WARNING! This appliance is intended to be used in household and similar applications such as:

- staff kitchen areas in shops, offices and other working environments;
- farm houses and by clients in hotels, motels and other residential type environments;
- bed and breakfast type environments;
- catering and similar non-retail applications.

i WARNING! Keep ventilation openings, in the appliance enclosure or in the built-in structure, clear of obstruction.

The appliance may not be used outdoors and it may not be exposed to rain.

Do not store explosive substances such as aerosol cans with a flammable propellant in this appliance.

If the appliance will be out of use for an extended period of time, switch it off using the relevant button, and unplug it from the power mains. Empty the appliance, defrost it, clean it, and leave the door ajar.

In case of an error or power supply failure, do not open the freezer compartment unless the freezer has not operated for over 16 hours. After this period, use the frozen food or provide sufficient cooling (e.g. a replacement appliance).

Technical information on the appliance

Rating plate can be found in the appliance interior. It indicates data on voltage, gross and net volume, type and amount of refrigerant, and information on the climate classes.

If the language on the rating plate is not the language of your choice or the language of your country, replace it with the one supplied.



ENVIRONMENT PROTECTION

Packaging is made of environmentally friendly materials that can be recycled, disposed of, or destroyed without any hazard to the environment.



Removing an obsolete appliance

To protect the environment, take the obsolete appliance to an authorized home appliance collection centre.

Before doing so, do the following:

- disconnect the appliance from the power mains;
- do not allow children to play with the appliance.



WARNING! Do not damage the refrigerant circuit. This will also prevent pollution.

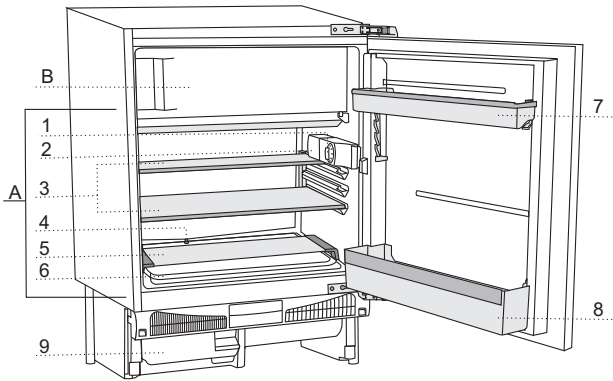


The symbol on the product or its packaging indicates that the product should not be treated as normal household waste. The product should be taken to an authorized collection centre for waste electric and electronic equipment processing. Correct disposal of the product will help prevent any negative effects on the environment and health of people which could occur in case of incorrect product removal. For detailed information on removal and processing of the product, please contact the relevant municipal body in charge of waste management, your waste disposal service, or the store where you bought the product.

ADVICE FOR SAVING POWER WITH REFRIGERATION APPLIANCES

- Install the appliance as specified in the instruction manual.
- Do not open the door more often than necessary.
- Occasionally make sure air circulation underneath the appliance is unobstructed.
- Condenser unit on the rear wall should be kept clean (see chapter Cleaning the appliance).
- If the gasket is damaged or does not provide a perfect seal for other reasons, have it replaced as soon as possible.
- Store the food in tightly sealed containers or appropriate packaging.
- Before placing the food in the appliance, cool it to room temperature.
- Defrost frozen food in the refrigerator compartment.
- Remove some of the drawers from the freezer compartment as described in the instruction manual, in order to make use of the entire interior.
- Defrost your conventional freezer when an approximately 3-5 millimeter layer of frost or ice has built up on the refrigerated surfaces.
- Make sure the layout of shelves in the compartment is uniform and that the food is placed so that the air can freely circulate in the appliance interior (observe the recommended placement of food as described in the instructions).
- In appliances with a fan, do not block the fan slots.
- If you do not need the fan or the ionizer, switch them off to reduce power consumption.

APPLIANCE DESCRIPTION



A Refrigerator

B Freezer

- 1 Control unit
- 2 Refrigerator interior lighting
- 3 Glass shelf (height adjustable)
- 4 Drain port
- 5 Serving tray
- 6 Fruit and vegetable bin
- 7 Height-adjustable door bin
- 8 Bottle bin
- 9 Condensate tank

- Appliance interior equipment may change according to the appliance model.

INSTALLATION AND CONNECTION

SELECTING THE ROOM

- Install the appliance in a dry and well ventilated room. The appliance will operate correctly if the environment temperature is in the interval specified in the table. The appliance class is indicated on the rating plate / label with the basic information on the appliance.

| Description | Class | Ambient temperature range °C | Relative humidity |
|--------------------|-------|---------------------------------|-------------------|
| Extended temperate | SN | +10 to +32 | ≤ 75% |
| Temperate | N | +16 to +32 | |
| Subtropical | ST | +16 to +38 | |
| Tropical | T | +16 to +43 | |

Warning: Make sure the room where the appliance is installed is large enough. There should be at least 1 m³ of space per 8 grams of refrigerant. Amount of refrigerant is stated on the rating plate in the appliance interior.

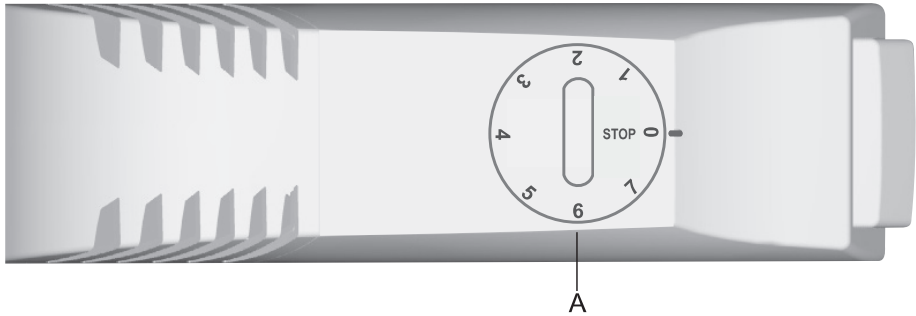
APPLIANCE PLACEMENT

- The appliance has four height-adjustable feet that allow setting the appliance height between 82 cm and 90 cm.
Set the appliance height before installing it in the opening in the kitchen cabinetry. Appliance height should be set so that the upper edge of the appliance is just under the worktop (see Installation Instructions)
- Do not expose the appliance to direct sunlight and do not place it near sources of heat. If this cannot be avoided, install an insulation panel.

CONNECTING THE APPLIANCE

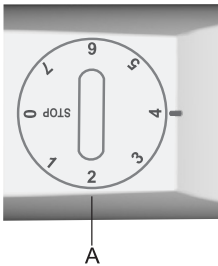
- Connect the appliance to the power mains using a connection cable. The wall outlet should be fitted with a ground contact (safety socket). Nominal voltage and frequency are indicated on the rating plate/label with basic information on the appliance.
- The appliance must be connected to the power mains and grounded in compliance with the effective standards and regulations. The appliance will withstand short-term deviations from the nominal voltage, but not more than +/- 6%.

OPERATING THE APPLIANCE

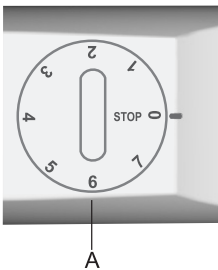


A Temperature setting and on/off knob

TURNING THE APPLIANCE ON/OFF

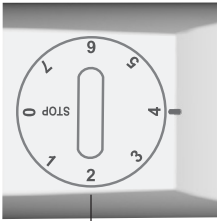


Turn on: rotate the thermostat knob clockwise towards position **7**.

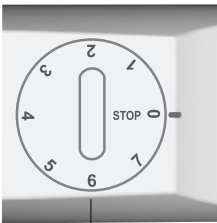


Turn off: rotate the knob back to position **STOP (0)**.

SETTING THE TEMPERATURE



A



A

Higher settings (towards 7) selected with the knob correspond to lower (cooler) temperatures. The temperature in the refrigerator interior may drop below 0°C. Only use higher settings when a lower temperature is desired and recommended or when environment temperature is lower than 16°C. When the environment temperature is normal, a medium setting is recommended.

- A change in the environment temperature affects the temperature in the appliance. Hence, the thermostat setting should be adjusted accordingly.
- When the thermostat knob is set to position **STOP (0)**, the appliance will not operate (cooling system is off); however, the appliance is still powered (a light will illuminate the interior when the refrigerator door is opened).

APPLIANCE INTERIOR EQUIPMENT

(* Equipment depends on the model)

SHELF

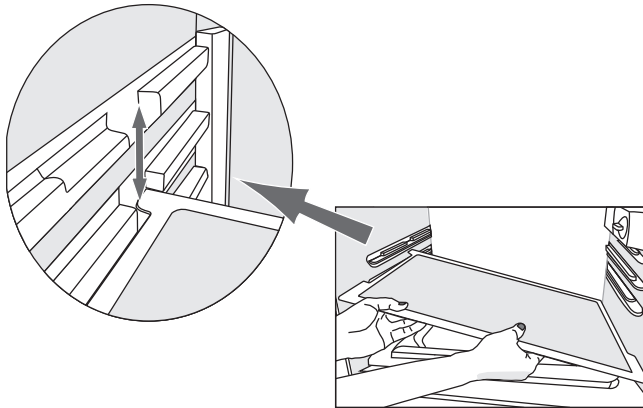
The shelf may be adjusted to your liking using the guides in the refrigerator interior. The shelf is protected against being completely pulled out.

To change the shelf position:

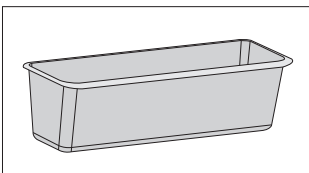
- Lift the shelf with your hand and pull it towards you as far as the clearance in the guides.
- In the clearance in the guides, set the shelf height to your liking.
- When the shelf is at the desired height, push it back to the end of the guides.

To remove the shelf from the appliance:

- Lift the shelf with your hand and pull it towards you as far as the clearance in the guides.
- When it reaches the clearance in the guides, lift the left-hand side of the shelf upwards and pull the shelf from the appliance at an angle.
- To replace the shelf, observe the reverse order.

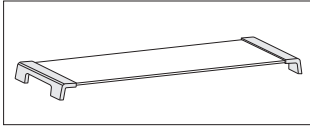


FRUIT AND VEGETABLE BIN



- The bin is located on the bottom of the refrigerator compartment, below the serving tray. This ensures adequate humidity that has a beneficial effect on the stored fruit and vegetables (slower drying out).

SERVING TRAY

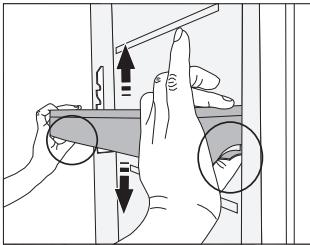


- The serving tray is located above the fruit and vegetables bin. It can be used as a refrigerator compartment shelf and as a serving tray.

INTERIOR SIDE OF THE REFRIGERATOR DOOR

The bins mounted on the interior side of the refrigerator door are intended for storing cheese, butter, eggs, yoghurt and other smaller packages, tubes, cans, etc. There is a bottle shelf at the lower end of the door.

ADJUSTABLE DOOR BIN

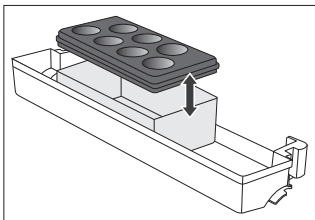


The height of door bin can be adjusted to your preferences without having to remove it from the appliance.

Squeeze the tabs on both sides and move the bin/shelf up or down.

To remove a bin from the appliance, lift it as far as it will go and pull it out.

STORAGE BIN (MULTIBOX)*



- **MultiBox** bin offers a convenient way for storing food with a strong or pungent smell, e.g. ripened or blue-vein cheese, sausages, onions, butter etc.
 - The silicone lid provides an air-tight seal that prevents the food from drying out and the odour to spread throughout the refrigerator compartment.
 - The silicon lid can also be used as an egg or ice tray.
- If the flexible lid is used as an egg tray, place it directly on the bottom of the door bin and use the open lower part of the Multibox bin to store food in smaller packages - pâté, jams, smaller tubes etc.

STORING FOOD IN THE REFRIGERATOR

IMPORTANT WARNINGS REGARDING FOOD STORAGE



Correct use of the appliance, appropriate packaging, maintaining the right temperature, and observing the food hygiene standards has a decisive impact on the quality of food storage.

Observe the expiry dates for the food, specified on the packaging.

Food stored in the refrigerator should be kept in closed containers or appropriate packaging to prevent them from emitting or receiving odours.

Do not store inflammable, volatile, and explosive substances in the refrigerator.

Bottles with high alcohol content should be tightly sealed and stored in an upright position.

Some organic solutions, essential oils in lemon and orange peel, butter acid, etc. may damage the plastic surfaces in case of a prolonged contact, causing damage and premature ageing of these materials.

Unpleasant odour warns of lacking cleanliness of the appliance or perished contents (see Cleaning the Appliance).

If you are leaving home for a longer period of time, remove perishables from the refrigerator.

AVOID CONTAMINATION OF FOOD

To avoid contamination of food, please respect the following instructions:

- Opening the door for long periods can cause a significant increase of the temperature in the compartments of the appliance.
- Regularly clean surfaces that can come in contact with food and accessible drainage systems.
- Store raw meat and fish in suitable containers in the refrigerator, so that it is not in contact with or drip onto other food.
- If the refrigerating appliance is left empty for long periods, switch off, defrost, clean, dry, and leave the door open to prevent mould developing within the appliance.

FOOD STORAGE TIMES

Recommended storage time in the refrigerator

| Type of food | Time |
|---|---------------|
| eggs, marinades, smoked meat | up to 10 days |
| cheese | up to 10 days |
| root vegetables | up to 8 days |
| butter | up to 7 days |
| deserts, fruit, ready-to-eat food, chunks of raw meat | up to 2 days |
| fish, raw minced meat, seafood | up to 1 day |

FREEZING AND STORING FROZEN FOOD

FREEZING PROCESS



Maximum amount of fresh food that may be inserted at once is specified on the appliance rating plate. If the amount of food to be frozen exceeds the indicated amount, the quality of freezing will be inferior; in addition, the quality of the food already frozen will deteriorate.

- 24 hours before freezing, rotate the thermostat knob to position 5-7. After 24 hours of super freeze operation, insert the fresh food onto the freezer compartment shelf. Approximately 24 hours after inserting the fresh food into the appliance, rotate the thermostat knob to normal operating temperature (see section Selecting the temperature).

Make sure the fresh food is not in contact with the food that is already frozen.

- To freeze smaller amounts of food (up to 1 kg), adjusting the thermostat knob setting is not necessary (observe the instructions in the section Choosing the Temperature).

IMPORTANT WARNINGS ON FREEZING FRESH FOOD



Only freeze the food that is suitable for freezing in the freezer. Make sure the food you freeze is of high quality and fresh.

Choose appropriate packaging and use the packaging correctly.

Packaging should not be permeable to humidity; it should be airtight to prevent the food from drying out and loss of vitamins.

Label the food; indicate the type of food, amount, and date of freezing.

It is important that the food is frozen as quickly as possible. Therefore, keep the packages small. Refrigerate the food before freezing.

STORAGE OF INDUSTRIALLY FROZEN FOOD

- When storing and using frozen food, observe the manufacturer's instructions. Temperature and expiry date are indicated on the packaging.
- Only choose food with undamaged packaging, stored in freezers at temperatures of -18°C or lower.
- Do not purchase food covered in frost as this indicates they have been partly defrosted several times and that they are of inferior quality.
- Protect the food from thawing during transport. In case of an increase in temperature, storage time will be shorter and quality will deteriorate.

FROZEN FOOD STORAGE TIME

Recommended storage time in the freezer

| Type of food | Time |
|---|----------------------|
| fruit, beef | from 10 to 12 months |
| vegetables, veal, poultry | from 8 to 10 months |
| Venison | from 6 to 8 months |
| Pork | from 4 to 6 months |
| minced meat | 4 months |
| bread, pastry, ready-to-eat meals, lean | 3 months |
| entrails | 2 months |
| smoked sausage, fatty fish | 1 month |

DEFROSTING FROZEN FOOD

Freezing the food does not kill the microorganisms. After the food is defrosted or thawed, bacteria is re-activated and the food spoils quickly. Use the partially or completely defrosted food as soon as possible.

Partial thawing decreases the nutritive value of the food, particularly fruit, vegetables, and ready-to-eat food.

DEFROSTING THE APPLIANCE

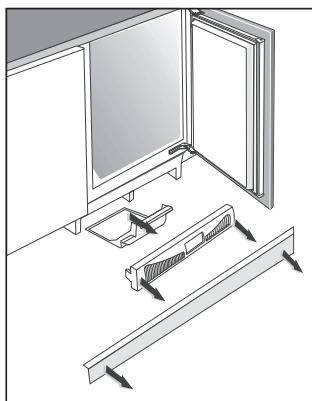
AUTOMATIC REFRIGERATOR DEFROSTING

Refrigerator does not need defrosting because the ice on the back interior wall is thawed automatically.

Any accumulated ice will melt when the compressor unit is inactive. The droplets are collected in a groove/gutter, drained through a hole, and discharged into a tray in the bottom of the appliance base.

If an excessive layer of ice is formed on the rear wall of refrigerator interior (3-5 mm), switch off the appliance and defrost the appliance manually.

In this case, it is also advisable to empty the condensate tray on the bottom of the appliance.



- Remove the cabinet kickplate.
- Reach into the openings on the switchboard and release the latch.
- Pull the plate towards you and remove it.
- Remove the condensate tray and empty it.

DEFROSTING A CONVENTIONAL FREEZER

- Defrost the freezer when an approximately 3-5 millimeter layer of frost or ice has built up.
- 24 hours before defrosting, activate the super freeze function to additionally cool the food (see section »Freezing Process«).

After this period, remove the food from the freezer and protect them from defrosting.

- Switch off the appliance (see chapter Switching the appliance on/off) and unplug the power cord.
- Do not use any defrosting sprays as they may melt the plastic parts or harm your health.
- Do not use a knife or any other sharp object to remove the frost, because you may damage a pipe of the cooling system.
- To speed up the defrosting process, place a pot of hot water on the glass shelf.
- Clean and dry the appliance interior (see Cleaning the Appliance).

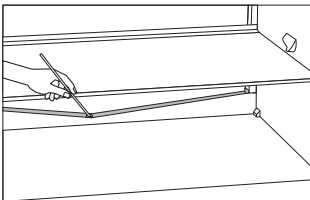
CLEANING THE APPLIANCE

Before cleaning, unplug the appliance from the power mains – switch off the appliance (see chapter Switching the Appliance On/Off) and unplug the power cord from the wall outlet.

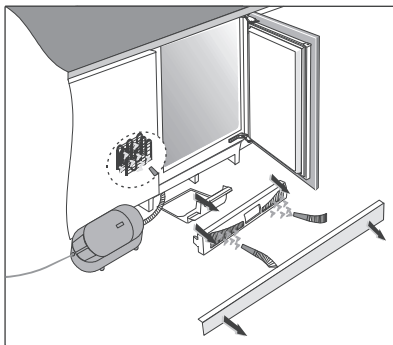
- Use a **soft cloth** to clean all surfaces. Cleaners that contain **abrasive substances, acids, or solvents are not suitable for cleaning** as they may damage the surface.

Clean the appliance **exterior** with water or a mild solution of suds. Lacquer-coated and aluminium surfaces may be cleaned with lukewarm water to which you have added a mild detergent. Use of cleaners with low alcohol content is allowed (e.g. window cleaners). Do not use cleaners containing alcohol for cleaning plastic materials.

Appliance interior can be cleaned with lukewarm water to which you can add some **vinegar**.



- A gutter and an opening through which the water from thawed ice flows are located underneath the cooling panel that cools the refrigerator interior. The gutter and the opening may not be clogged. Inspect them often and clean if necessary (e.g. with a plastic straw).
- Frost or ice build-up, 3-5 mm thick, will increase power consumption. Therefore, it should be regularly removed. Do not use any sharp objects, solvents, or sprays.



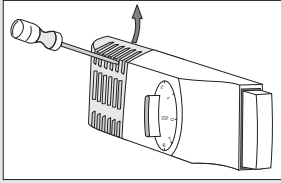
- To vacuum the dust from the **condenser** unit:
 - Remove the cabinet kickplate.
 - Reach into the openings on the switchboard and release the latch.
 - Pull the plate towards you and remove it.
 - Pull out the condensate tray.
 - Use a vacuum cleaner to clean the dust from the condenser unit.
 - Replace the condensate tray and the switchboard by observing the reverse order.
- After cleaning, switch the appliance back on and insert the food.

TROUBLESHOOTING

| Problem: | Cause or remedy: |
|---|---|
| Appliance is connected to the power mains but it does not work. | <ul style="list-style-type: none">• Make sure there is voltage in the power outlet and that the appliance is switched on. |
| Cooling system operates continuously for a long period of time: | <ul style="list-style-type: none">• Too high environment temperature.• Door opened too frequently or too long.• Door not closed correctly (possible impurities on the seal, misaligned door, damaged seal etc.).• Too much fresh food inserted at once.• Insufficient compressor and condenser unit cooling. Clean the condenser unit. |
| Excessive build-up of ice on the back wall of refrigerator interior can be a result of the following: | <ul style="list-style-type: none">• Door opened too frequently or too long.• Warm food placed in the refrigerator.• Food in contact with the back interior wall of the refrigerator.• Poor door sealing.• If the seal is dirty or damaged, clean it or replace it. |
| Build-up of ice or frost in the freezer interior may be a result of the following: | <ul style="list-style-type: none">• Door opened too frequently or too long.• Door not properly closed.• Poor door sealing.• If the seal is dirty or damaged, clean or replace it. |
| Water leaking from the refrigerator: | <ul style="list-style-type: none">• Clogged water discharge opening or water dripping past the water gutter.• Clean the clogged opening, for example using a plastic straw.• If a thick layer of ice builds up, defrost the appliance manually (see Defrosting the Appliance). |
| Door is difficult to open: | <ul style="list-style-type: none">• If you are trying to open the freezer door after just having closed it, this could be difficult to do. As you open the door, some cool air escapes from the appliance and it is replaced by warm air from the environment. When this air is cooled, negative pressure is generated which results in problems as you try to open the door. After a few minutes, the condition is normalized and the door can be easily opened again. |

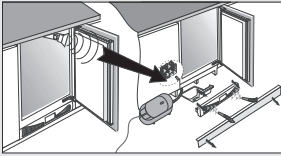
Problem:**Cause or remedy:**

Replacing the bulb:



- Before replacing the bulb, disconnect the appliance from the power mains (unplug the power cord from the wall outlet / socket). Insert a screwdriver into the slot in the cover, lift it and remove it. Replace the bulb with a new one (E14, same power rating as the one provided by the manufacturer) and replace the cover.
- Do not dispose of the blown bulb with organic waste.
- The bulb is considered a consumable and is excluded from any warranty!
- Bulb lamps used in this appliance are special purpose lamps selected for household appliances use only. They are not suitable for household room illumination.

Sound alarm:



- Excessive dust on the condenser unit is signalled by a sound alarm heard whenever appliance door is opened until the default is removed.
- Check the air circulation through the bottom rail openings and clean or vacuum the dust from the condenser if necessary. See section CLEANING THE APPLIANCE.

If none of the instructions above fixes your problem, call the nearest authorized service center and state the type, model, and serial number found on the rating plate/label which is located in the appliance interior.

Specification:

| | |
|---|----------------|
| Model No | RBIU6091AW-SA |
| Product Category | 7 |
| Classification Of Climate | T |
| Classification Of Electric Shock Resistance | I |
| Total Volume Fresh Food | 105L/3.7cu.ft. |
| Freezer Volume(L)  | 21L/0.7cu.ft. |
| Freezer Volume(L) 2 Star | / |
| Total Volume | 126L/4.4cu.ft. |
| Refrigerate & Fill-in Volume | R600a (26g) |
| Rated Voltage(V) | 220-240 V~ |
| Rated Frequency(Hz) | 60Hz |
| Rated Current(A) | 0.6A |
| Rated Power Consumption(kw.h/year) | 144kW.h/year |
| Rated Power Consumption(kw.h/24h) | 0.39kW.h/24h |
| Defrost Power(W) | / |
| Rated Input Power(W) | 66 W |
| Net Weight(kg) | 34.5kg |
| Overall Dimenssion(WxDxH)(mm) | 596×545×820 |
| Classification | C |
| Country Of Origin | MADE IN SERBIA |
| Temperature Rise Time(h) | / |
| Freezing Capacity(kg/24) | 2kg/24h |

INFORMATION ABOUT APPLIANCE NOISE

Cooling in refrigerator freezers is made possible by a cooling system that also includes a compressor (and a fan with some appliances), which generates some noise. The level of noise depends on installation, proper use, and age of the appliance.

- **After connecting the appliance to the power mains**, compressor operation, or the sound of flowing liquid, may be somewhat louder. This is not a sign of malfunction and it will not affect the useful life of the appliance. In time, appliance operation and this noise will become quieter.
- Sometimes, **unusual or loud noise** may appear during appliance operation; these are mostly the result of improper installation:
 - The appliance must stand level and stable on a solid base.
 - The appliance may not be in contact with a wall or adjacent furniture.
 - Make sure the interior equipment sits firmly in its place and that the noise is not caused by cans, bottles or other containers placed next to each other.
- Due to the higher workload on the cooling system when the door is opened more frequently or for a longer time, when a large amount of fresh food is introduced, or when intensive freezing or cooling functions are activated, the appliance can temporarily generate more noise.

WE RESERVE THE RIGHT TO MAKE CHANGES THAT DO NOT AFFECT THE FUNCTIONALITY OF THE APPLIANCE.

Instructions for use of the appliance can also be found on our website at www.gorenje.com / < <http://www.gorenje.com> />

ABDUL MOHSEN A.AL SWAIELM EST.
9088 AL ULAYA - AL ULAYA UNIT NO.5
RIYADH 12214-2614
KINGDOM OF SAUDI ARABIA

HTPI1466 BIU600 QR



671546

en (02-22)