

---

# gorenje

GB IE

User manual  
Installation instruction  
Conversion instruction

BG6xA

BG6xB

BG6xC

BG6xD

BG6xE

BG6xF



**Pictograms used:**



Important information



Tip



Gas connection



Electrical connection



Right



Wrong

# CONTENTS

---

## ***Safety regulations***

---

Safe use	4
Children and vulnerable people	7

## ***User manual***

---

Models	8
Description	8
Information according regulation (EU only) 66/2014	8
Use	9
Faults table	10

## ***Installation instruction***

---

Safety regulations	11
Service	11
Preparations for installation	12
Sealing tape	13
Gas connection	14
Built in	14
Connecting & testing	14

## ***Conversion instruction***

---

Conversion instruction	15
Conversion table	15
Power table (kW-gr/h)	17
Converting nozzles	18
Converting by-pass screws	18
Check for gas tightness and operation	19
Start up	20
Checking operation	20

## ***Environmental considerations***

---

Disposal of packaging and appliance	21
-------------------------------------	----

### READ CAREFULLY AND KEEP FOR FUTURE REFERENCE!

#### Safe use



- The manufacturer cannot be held liable for any damage resulting from failure to follow the safety instructions and warnings.
- Damage caused by incorrect connection, incorrect fitting, or incorrect use is not covered by the warranty.
- **WARNING:** this appliance and the accessible parts will become hot during use. Do not touch hot parts. Keep children younger than 8 away from the appliance unless they are under continuous supervision.
- **WARNING:** danger of fire: never leave anything on the hob.
- **CAUTION:** The cooking process has to be supervised. A short term cooking process has to be supervised continuously.
- **WARNING:** cooking with fat or oil on a hob without supervision can be dangerous and can lead to fire.
- **NEVER** try to extinguish a fire with water. Instead, switch the appliance off and then cover the flames with for example a lid or a fire blanket.
- Never flambé under a cooker hood. The high flames can cause a fire, even if the cooker hood is switched off.
- **WARNING:** use only hob guards designed by the manufacturer of the cooking appliance or indicated by the manufacturer of the appliance in the instructions for use as suitable or hob guards incorporated in the appliance. The use of inappropriate guards can cause accidents.
- The hob is only to be used for the preparation of food. The unit is not designed for heating rooms.
- Do not warm closed tins on the hob. There will be a build-up of pressure that will cause tins to explode. You might get injured or scalded.

## SAFETY REGULATIONS

- Never cover the appliance with a cloth or something similar. If the appliance is still hot or is switched on, there is a risk of fire.
- Do not use the appliance as a worktop. The appliance may accidentally be switched on or still be hot, which means objects could melt, become hot or catch fire.
- Do not use the appliance in temperatures below 5 °C.
- The appliance should not be placed or used outdoors.
- When you use the hob for the first time you will notice a “new smell”. Don’t worry, this is normal. If the kitchen is well ventilated, the smell will soon disappear.
- The appliance is not intended to be operated by means of an external timer or separate remote control system.
- Never open the casing of the appliance.
- Never use a pressure cleaner or steam cleaner to clean the hob.
- The ceramic top is extremely strong, but not unbreakable. For example, a spice jar or sharp utensil falling on it could cause it to break.
- Missing rubber feet from the pan supports can cause scratches on the drip tray or poor combustion of the burner. If the rubber feet are missing, please contact our service department.
- Clean the burner parts regularly for a safe and correct operation of the burners.



- **WARNING** “In case of hotplate glass breakage”:
  - shut immediately off all burners and any electrical heating element and isolate the appliance from the power supply.
  - do not touch the appliance surface.
  - do not use the appliance.

## SAFETY REGULATIONS

---

- **CAUTION:** The use of a gas cooking appliance results in the production of heat, moisture and products of combustion in the room in which it is installed. Ensure that the kitchen is well ventilated especially when the appliance is in use. Keep natural ventilation holes open or install a mechanical ventilation device (mechanical extractor hood).
- If a drawer underneath the appliance is permitted (see the installation instructions), without an intermediate bottom, this should not be used to store highly flammable objects/materials. Ensure that there is adequate clearance of a few centimetres between the bottom of the hob and the contents of any drawers.
- The burner components are hot during and immediately after use. Do not touch them, and avoid contact with non-heat resistant materials.
- Never immerse hot burner caps and pan supports in cold water. The rapid cooling can damage the enamel.
- The distance between the pan and a knob or non-heat resistant wall should always be greater than two centimetres. In case of smaller distances the high temperature may cause the knobs or wall to discolour and/or deform.
- Always use the pan supports and suitable cookware.
- Always place the pan on the pan support. Placing the pan directly on the burner cap can result in dangerous situations.
- Aluminium trays or foil are not suitable as cooking utensils. They can burn into the burner caps and pan supports.

## SAFETY REGULATIONS

---

- The hob can only function effectively if the burner components have been assembled using the guide ridges. Ensure that the pan supports lie properly against each other and flat on the drip tray. Only then can the pans be positioned stably.
- Keep oven gloves or oven cloths away from the flame.
- Do not use griddle plates or baking plates.

### ***Children and vulnerable people***

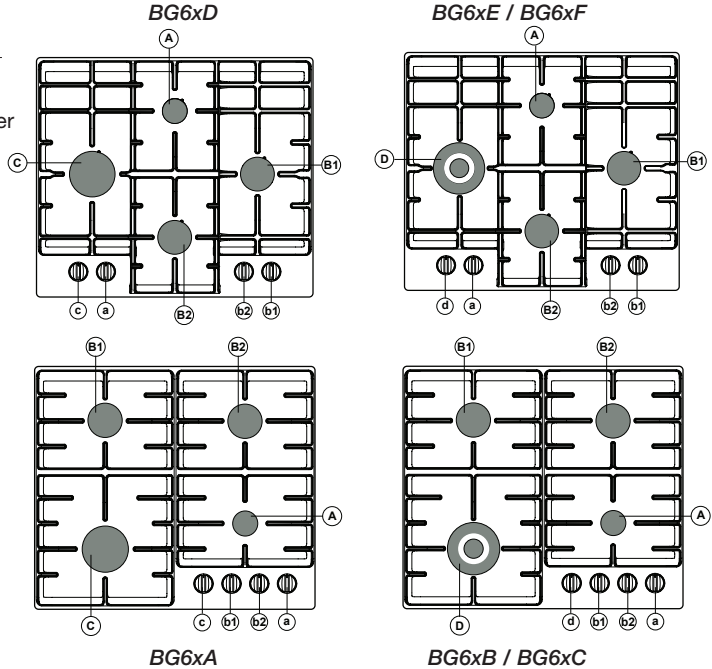


- This appliance can be used by children aged 8 years and over, as well as by people with reduced physical, sensory or mental capabilities or lack of experience and knowledge, provided they are supervised and instructed in the safe use of the appliance and understand the hazards involved.
- Do not allow children to play with the appliance. Do not allow children to clean or maintain the appliance unless supervised.
- Do not keep objects that children might find interesting in cupboards above or behind the appliance.
- The cooking zones/burners heat up during use and stay hot for a while afterwards. Keep young children away from the hob during and immediately after cooking.

# USER MANUAL

## Models

- Aa - Auxiliary burner
- Bb - Semi-rapid burner
- Cc - Rapid burner
- Dd - Wok burner




## Description

		<b>G20 / 20 mbar</b>			
		<b>Burner</b>	<b>BG6xA BG6xD</b>	<b>BG6xB BG6xE</b>	<b>BG6xC BG6xF</b>
Aa	Auxiliary		1.00 kW	1.00 kW	1.00 kW
Bb	Semi-rapid		1.80 kW	1.80 kW	1.80 kW
Cc	Rapid		3.00 kW		
Dd	Wok			3.50 kW	4.05 kW

		<b>G30 / 30 mbar</b>			
		<b>Burner</b>	<b>BG6xA BG6xD</b>	<b>BG6xB BG6xE</b>	<b>BG6xC BG6xF</b>
Aa	Auxiliary		1.05 kW / 76 g/h	1.05 kW / 76 g/h	1.05 kW / 76 g/h
Bb	Semi-rapid		1.80 kW / 130 g/h	1.80 kW / 130 g/h	1.80 kW / 130 g/h
Cc	Rapid		3.00 kW / 216 g/h		
Dd	Wok			3.50 kW / 252 g/h	4.00 kW / 288 g/h



	<b>G30 / 50 mbar</b>				
	<b>Burner</b>	<b>BG6xA BG6xD</b>	<b>BG6xB BG6xE</b>	<b>BG6xC BG6xF</b>	<b>Saudi Arabia</b>
Aa	Auxiliary	1.05 kW / 76 g/h	1.05 kW / 76 g/h	1.05 kW / 76 g/h	76 g/h
Bb	Semi-rapid	1.90 kW / 137 g/h	1.90 kW / 137 g/h	1.90 kW / 137 g/h	130 g/h
Cc	Rapid	3.00 kW / 216 g/h			216 g/h
Dd	Wok		3.50 kW / 252 g/h	4.00 kW / 288 g/h	288 g/h

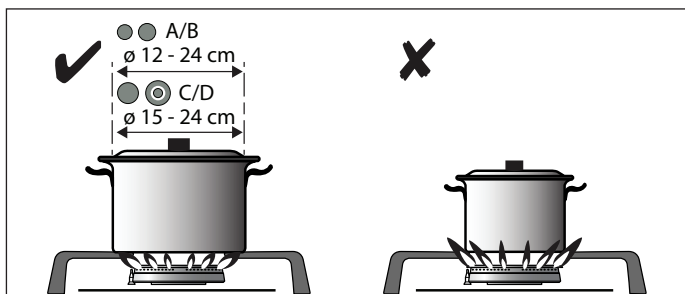
## Information according regulation (EU only) 66/2014

Measurements according EN60350-2 (G20-20 mbar)

<b>Model identification</b>		<b>BG6xA / BG6xD</b>	<b>BG6xB/BG6xC BG6xE/BG6xF</b>
Type of hob		Gas hob	Gas hob
Number of gas burners		4	4
Heating technology		Gas burner	Gas burner
Energy efficiency per gas burner (EE <sub>gas burner</sub> ) in %	Semi-rapid burner:	58.8	58.8
	Rapid burner:	56.3	
	Wok burner:		57.6
Energy efficiency for the gas hob (EE <sub>gas hob</sub> ) in %		58.0	58.4

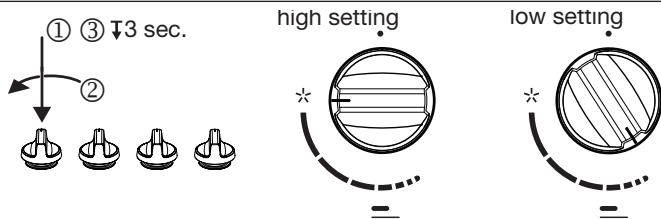
# USER MANUAL

## Use

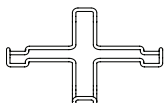


### Control:

- (1) Push
- (2) Turn left + hold
- (3) Hold down 3 sec.



### Accessories:

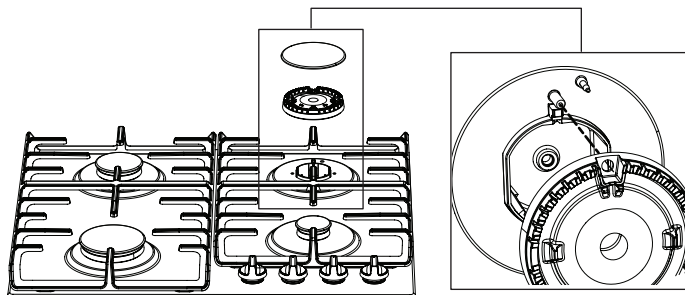


Suits Auxiliary burner

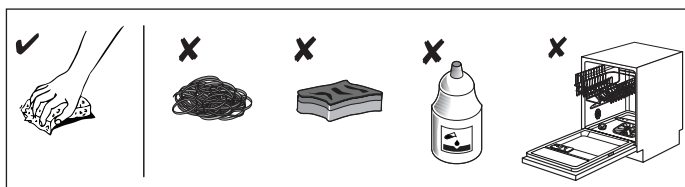


Suits wok burner

### Burner position:



### Cleaning:



## **Faults table**

Following is some advice on rectifying some common problems.

<b>What happened...?</b>	<b>Possible cause</b>	<b>What to do?</b>
The burners will not burn. The flame is uneven / unstable.	Flame is uneven due to a wrong gas power setting.	Have an expert check the gas pipeline!
The flame from the burners suddenly changes.	Wrongly assembled parts of the kitchen hob.	Assemble the burner correctly.
Burner ignition takes more time.	Wrongly assembled parts of the kitchen hob.	Assemble the burner correctly.
The flame is extinguished shortly after ignition.	Knob pressed too short or too weakly.	Keep the knob pressed for a longer period of time.
The grid has discolored in the burner area?	This is a commonplace phenomenon resulting from high temperature.	Clean the grid with a metal care detergent.
Electric power supply in general is interrupted?	The fuse may be blown.	Check the fuse in the fuse box and replace it if it is blown.
Electric ignition of the burners no longer works?	There are food or detergent residues between the spark plug and the burner.	Open and carefully clean the opening between the spark plug and the burner.
The burner cover looks unappealing.	Regular dirt.	Clean the burner covers with a metal care detergent.

A visit by a service technician during the warranty period will be charged if the appliance is not functioning because of improper use. Store these instructions in a place where they are always readily accessible; if you pass the appliance on to another person, the instructions should also be included.

If the problem persists despite observing the instructions above, call an authorized service technician. Elimination of any errors or warranty claims that resulted from improper connection or use of the appliance is not covered by our warranty. In such cases, the costs of repair are borne by the user.

# INSTALLATION INSTRUCTION

## Safety regulations



- This appliance should only be connected by a registered installer.
- Prior to installation, ensure that the local distribution conditions (voltage, frequency, nature of the gas and gas pressure) and the adjustment of the appliance are compatible.



- This Appliance must be earthed.
- The voltage, frequency, power, type of gas and the country for which the appliance has been designed are shown on the appliance rating plate.
- Electrical connection Class I - 220-240 V - 50/60 Hz - max 1 W  
The electrical connection must comply with national and local regulations.
- The wall plug socket and plug should always be accessible.
- If a stationary appliance is not fitted with a supply cord and a plug, or with other means for disconnection from the supply mains having a contact separation in all poles that provide full disconnection under overvoltage category III conditions, the means for disconnection must be incorporated in the fixed wiring in accordance with the wiring rules. Using an omnipolar switch with a contact separation of at least 3 mm fitted in the supply cable will fulfil this requirement.



- The connection cable must hang freely and should not be fed through a drawer.
- Gas connection 1/2" ISO 228 / ISO 7-1 / EN 10226-1 (1/2" ISO 228 / 1/2" ISO 228 FR only).  
The gas connection must comply with national and local regulations. See appliance label for technical gas data.
- This appliance is not connected to a combustion products evacuation device. It shall be installed and connected in accordance with current installation regulations. Particular attention shall be given to the relevant requirements regarding ventilation.
- We recommend that the gas hob be connected by means of a fixed pipe. Connection using a specially designed safety hose is also permitted.
- The pipe behind the oven must be made entirely out of metal.
- A safety hose may not be bent and must not come into contact with moving parts of kitchen units.
- The gas supply valve must always be placed in an easily accessible position.
- The worktop into which the hob is fitted should be flat.
- The walls and the worktop surrounding the appliance must be heat resistant up to at least 85 °C. Even though the appliance itself does not get hot, the heat of a hot pan could discolour or deform the wall.

## Service

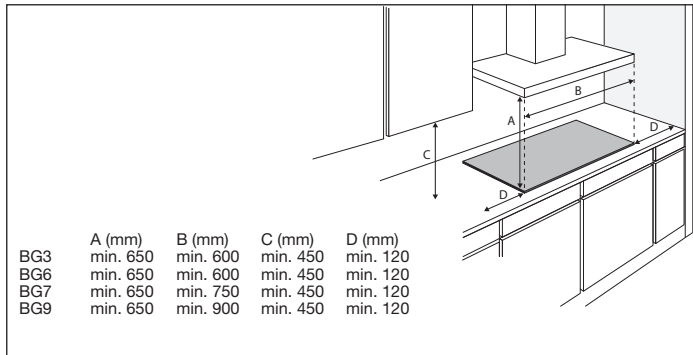


- Faulty parts may only be replaced by original parts. The manufacturer can only guarantee that original parts meet safety requirements.
- If the supply cord is damaged, it must be replaced by the manufacturer, its service agent or similarly qualified persons in order to avoid a hazard.

# INSTALLATION INSTRUCTION

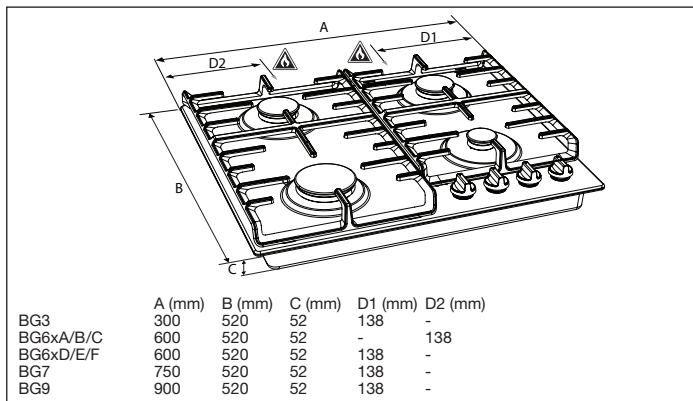
## Preparations for installation

### Free space around appliance

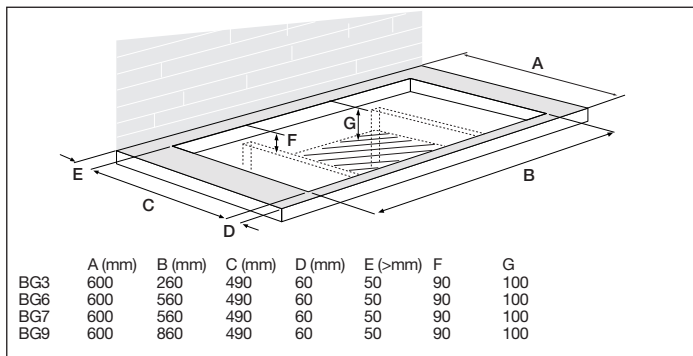


### Dimensions

#### Appliance:

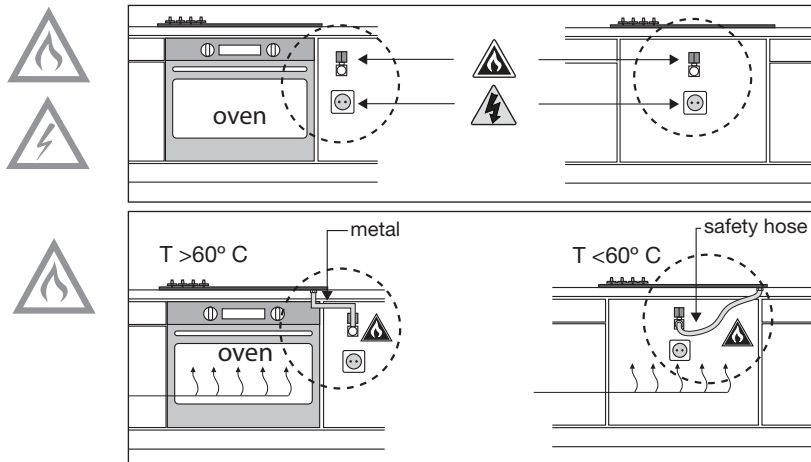


#### Built-in:



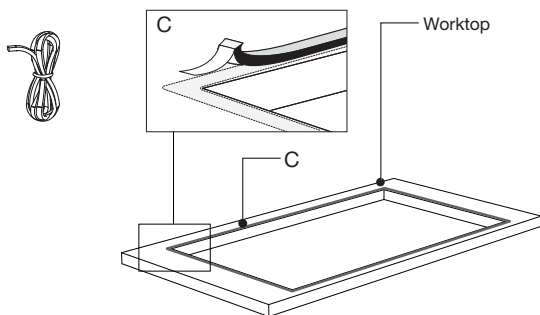
# INSTALLATION INSTRUCTION

## Accessibility

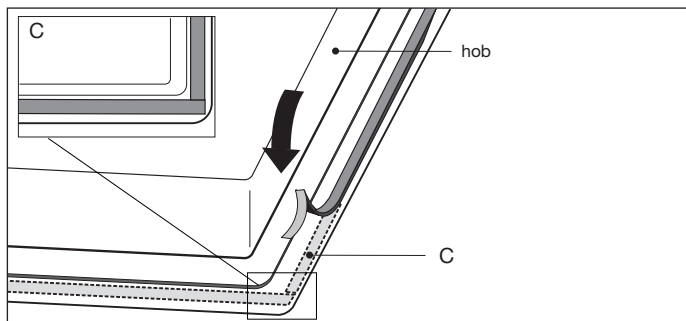


## Sealing tape

### Stainless steel drip tray

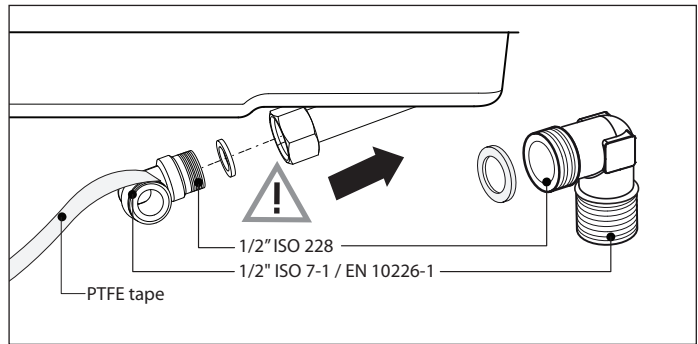


### Glass drip tray

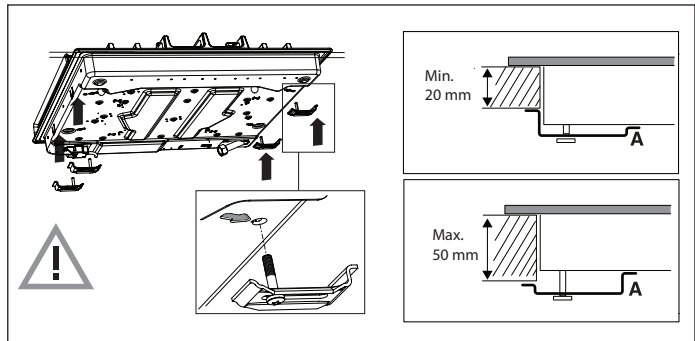
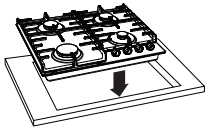


# INSTALLATION INSTRUCTION

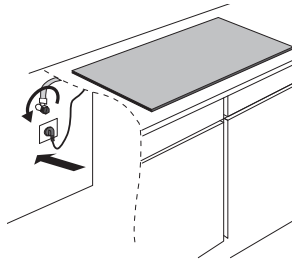
## Gas connection



## Built in



## Connecting & testing



Check if connections are gastight.

# CONVERSION INSTRUCTION

## Conversion instruction

Adjusting for a different gas type!

**Attention! Performing of these instructions by a non-qualified engineer can lead to dangerous situations. The supplier is not responsible for the consequences (the arising of a hazardous situation and/or damage to persons or goods) caused by incorrect performance of these instructions by engineers who are not employees of the supplier. Consequential damage arising through inexperienced performance of these instructions is not accepted.**

With this conversion-set your gas hob can be converted to different gasses. See conversion Table.

## Conversion table

Gas type	P mBar	Modification	Auxiliary	Semi rapid	Rapid
			nozzle	nozzle	nozzle
G20	20	-	72	97	128
Convert from G20 / 20 mbar to:					
G20	13	Replace nozzle & no action by-pass	84	115	145
G25	20	Replace nozzle & no action by-pass	77	105	134
G30/ G31	28- 30/37	Replace nozzle & screw in bypass (see 3A)	50	65	85
G150	8	Replace nozzle & adjust bypass (see 3C)	145	200	290
G30	50	Replace nozzle & screw in bypass (see 3A)	43	60	75

Gas type	P mBar	Modification	Auxiliary	Semi rapid	Rapid
			nozzle	nozzle	nozzle
G30	30	-	50	65	85
Convert from G30 / 30 mbar to:					
G20	20	Replace nozzle & adjust bypass (see 3C)	72	97	128



# CONVERSION INSTRUCTION

Gas type	P mBar	Modification.	Wok (BG6xB/E)	Wok (BG6xC/F)
			nozzle	nozzle
G20	20	-	142	150
Convert from G20 / 20 mbar to:				
G20	13	Replace nozzle & no action by-pass	155	170
G25	20	Replace nozzle & no action by-pass	143	152
G30/G31	28-30/37	Replace nozzle & screw in bypass (see 3A)	94	100
G30	50	Replace nozzle & screw in bypass (see 3A)	82	90

Gas type	P mBar	Modification.	Wok (BG6xB/E)	Wok (BG6xC/F)
			nozzle	nozzle
G30	30	-	94	100
Convert from G30 / 30 mbar to:				
G20	20	Replace nozzle & adjust bypass (see 3C)	142	150

## Power table (kW-g/h):

	G20 13 mbar	G25 20 mbar	G30-G31 28-30/37 mbar	G30 50 mbar	Saudi Arabia G30 50 mbar	G150 8 mbar
Auxiliary burner	1.05	1.05	1.05/76	1.05/76	76 g/h	1.10
Semi-rapid burner	1.95	1.95	1.80/130	1.90/137	130 g/h	1.85
Rapid burner	3.10	3.10	3.00/216	3.00/216	216 g/h	3.00
Wok burner BG6xB/E)	3.45	3.35	3.50/252	3.50/252		
Wok burner (BG6xC/F)	4.00	3.85	4.00/288	4.00/288	288 g/h	

### Contents of conversion set

- Nozzles for burners and (if applicable) by-pass screws for gas taps.
- Data label with the modified gas specifications and setting.

### Tools needed:

- T1 Socket spanner (7mm)
- T2 Screw driver flat blade (4mm)
- T3 Nose pliers
- T4 Open end spanner (7mm)
- T5 Leak test spray

# CONVERSION INSTRUCTION

## Converting nozzles

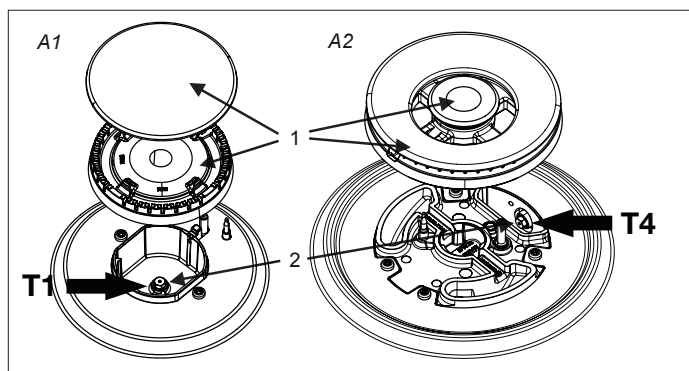


**Please note:** disconnect the appliance from the power supply. Prevent damage of the worktop. Lay down parts of the appliance on a protected base.



For converting to a different type of gas, the nozzles have to be changed. The values are also marked on the nozzle.

1. Remove pan supports, burner heads, crowns and covers (see pictures A1 and A2). Pull off the control knobs vertically.
2. Use the socket (T1) or open end spanner (T4) to remove the old nozzles and place the new nozzles inside the burner cups (see pictures A1 and A2).



## Converting by-pass screws

Depending on the gas type to which the appliances will be converted, there are two ways to adjust the by-pass screws.

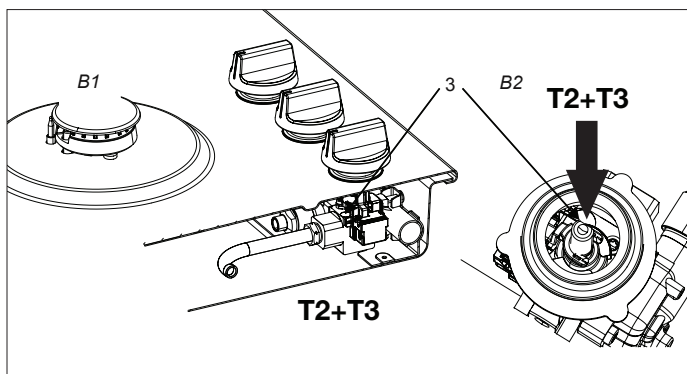
Please check the conversion table in the column “Modification” if the by-pass screws have to be screwed completely in (see action 3A below), replaced by a different by-pass screw (see action 3B below) or adjusted (see action 3C below).

The values are also indicated on the top of the by-pass screws.

The by-pass screws can be reached from the top of the hob when the knobs are removed (B1 and B2).

## CONVERSION INSTRUCTION

- 3A. Screw the by-pass screws (3) of all gas taps completely in by using the flat-blade screwdriver (T2).
- 3B. Remove the by-pass screws by using the flat-blade screwdriver (T2) and the nose pliers (T3). Place the new by-pass screws with the nose pliers and screw the by-pass screws of all gas taps in, by using the flat-blade screwdriver.
- 3C. Adjust the by-pass screws (3) of all gas taps by using the flat-blade screwdriver (T2) until a stable flame is established with a minimal gas flow. Please check if the flame is stable in cold and hot condition of the burner.



### ***Check for gas tightness and operation***

When the appliance is connected to the gas supply, use leak test spray to check the gas tightness:

1. Seal the injector.
2. Open the gas tap.



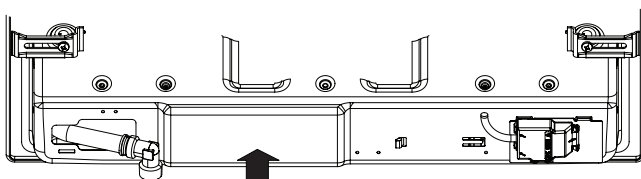
**Attention:** press and open tap to override the thermo-electric safety device and keep it pressed down.

3. Spray leak test spray over all gas connections and check for gas tightness.
4. Repeat for every burner.

# CONVERSION INSTRUCTION

## Start up

1. Reinstall the knobs, burner parts and pan supports.
2. Check if the appliance is connected to the correct gas type and pressure.
3. Open the main gas valve.
4. Insert the plug into the power socket.



ADJUSTED FOR	SKORYGOWANE O	C1
EINGESTELLT AUF	KORRIGÁLT	
З ПОПРАВКОЮ НА	НАСТРОЕНО ДЛЯ	
PRILAGOJEN ZA	KELECI UŠIH TEŤSHELGEN	
PO OČIŠŤENÍ O		
PRILAGOĐEN ZA		
AJUSTATE PENTRU	GXX	XX mbar

## Checking operation

1. Ignite the burners.
2. Check whether the flame profile is normal, uniform and stable for the complete ratio:
  - Check if the flame does not smother in simmer rate;
  - Check if the flames are not 'blowing off' at maximum rate;
  - No long, yellow flames should be visible during operation.
3. Paste the data label with the modified gas specifications and setting over the current data label with old specification (at the under site of the appliances nearby the gas connection).

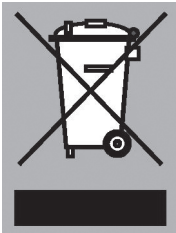
## ***Disposal of the appliance and packaging***

Sustainable materials have been used during manufacture of this appliance.

The appliance packaging is recyclable. The following may have been used:

- cardboard;
- paper;
- polyethylene film (PE);
- CFC-free polystyrene (PS-rigid foam);
- polypropylene tape (PP).

Dispose of these materials in a responsible manner and in accordance with government regulations.



To designate the requirement for separate collection of household electrical appliances, the symbol of a crossed-out dustbin is applied to the product.

This means that at the end of its working life, the product must not be disposed of as urban waste. It must be taken to a special local authority differentiated waste collection centre or to a dealer providing this service. Disposing of a household appliance such as this hob separately avoids possible negative consequences for the environment and health and enables the constituent materials to be recovered, resulting in significant savings in energy and resources.



**Please note! Do not throw a broken ceramic glass plate in the glass recycling bin but take this to the Municipality's waste recycling centre.**



### **Declaration of conformity**

We hereby declare that our products satisfy the applicable European directives, orders and regulations, as well as the requirements stated in the referenced standards.





**GORENJE gospodinjski aparati, d.d.**

Address: Partizanska 12, 3320 Velenje, Slovenia

Phone: +386 (0)3 899 10 00

Fax: +386 (0)3 899 28 00

[www.gorenje.com](http://www.gorenje.com)

**gorenje**



573158

en (03-19)