



## Instructions for use Telescopic cooker hood

CO4627S / 4000  
CO4927S / 4000

**Pictograms used :**



Important information



Tip

---

# CONTENT

---

## ***Your telescopic cooker hood***

Description	4
Introduction	4

## ***Use***

Controls	5
----------	---

## ***Maintenance***

Cleaning	7
Cleaning the glass panel	8
Metal grease filters	8
Resetting the alarm signal	8
Cleaning the filters	9
Charcoal filter (recirculation version)	9
Changing the charcoal filter	10
Lighting unit	10

## ***Installation***

General	11
Electrical connection	12
Mounting the cooker hood	13

## ***Technical specification***

15

## ***Appendice***

Disposal of appliance and packaging	16
-------------------------------------	----

# YOUR TELESCOPIC COOKER HOOD

## Description



- A** Switch fan on/off
- B** Reduce extractor capacity
- C** Increase extractor capacity
- D** Engage intensive mode
- E** Clean air function/filter indication
- F** Timer function
- G** Switch lighting on/off
- H** Dim lighting
- I** Display

## Introduction

This user manual gives you a quick overview of all the possibilities offered by the appliance. You will find information on safety measures and maintaining the appliance.



*Please retain this user manual and the installation guide.  
They may be of use to future users of the appliance.*

### Declaration of conformity

We declare that our products meet the applicable European Directives, Decisions and Regulations and the requirements listed in the standards referenced.



**Read the separate safety instructions before using the device!**

## Controls



### Switching the fan on and off

The cooker hood works only with the glass plate fully extended. If the glass plate is extended (in the Off position), the cooker hood automatically starts in position 1.

- Switch the fan on with the on/off button (A) and select the desired extractor setting with buttons 'B' and 'C'.

*The 'I' display indicates which setting has been selected.*

- Use button 'D' to switch on the intensive setting.

*"HI" appears in the 'I' display.*

After 6 minutes the intensive mode is automatically reduced to the setting previously selected.

### Switching the lighting on and off

- Use the 'G' button to switch the lighting on and off.

### Dimming the lighting

- Dim the lighting with button 'H'.

*The strength of the lighting varies between maximum and minimum, and vice-versa.*

### Clean Air function:

*With the Clean Air function you can refresh the air in the kitchen over maximum 24 hours.*

- Fully extend the glass plate.
- Switch off the cooker hood.
- Make sure the cooker hood has been switched off.
- Press on the Clean Air button 'E'.

*Every hour, the cooker hood will switch on for 10 minutes automatically, at the lowest extraction setting. The display reads "24" and an indicator flashes at the bottom right.*

## **Switching on the timer**

- Switch the fan on with the on/off button (A) and select the desired extractor setting with buttons 'B' and 'C'.
- Press the Timer button 'F'.

*The cooker hood switches off automatically after 30 minutes. Switch off the Timer function by pressing button 'F' again, or by switching off the cooker hood with button 'A'. The display shows the selected speed and the remaining time.*

## **Grease filter indicator**

*After 100 hours of use the "FF" indicator is shown in the display.*

- Clean the grease filters.
- Reset the filter indicator. While the cooker hood is switched off, press button 'E' for 3 seconds until the filter indicator disappears.

## **Carbon filter indicator**

After 200 hours of use the "EF" indicator is shown in the display.

- Clean the carbon filters.
- Reset the filter indicator. While the cooker hood is switched off, press button 'E' for 3 seconds until the filter indicator disappears.

## Cleaning

---



**Attention!** Before performing any maintenance operation, isolate the hood from the electrical supply by switching off at the connector and removing the connector fuse. Or if the appliance has been connected through a plug and socket, then the plug must be removed from the socket.

The cooker hood should be cleaned regularly (at least with the same frequency with which you carry out maintenance of the fat filters) internally and externally. Do not use abrasive products. **Do not use alcohol!**

**Attention!** Failure to carry out the basic cleaning recommendations of the cooker hood and replacement of the filters may cause fire risks. Therefore, we recommend observing these instructions.

The manufacturer declines all responsibility for any damage to the motor or any fire damage linked to inappropriate maintenance or failure to observe the above safety recommendations.

### Cooker hood

Clean the cooker hood with soapy water and a soft cloth. Then wipe with clean water to rinse. Do not use aggressive cleaning agents such as soda. The cooker hood paintwork will stay looking nice if you wax it occasionally.



### Stainless steel canopy hoods

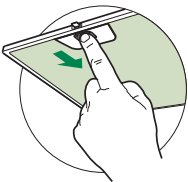
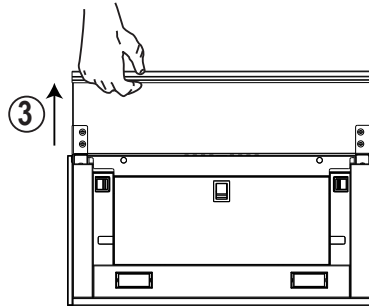
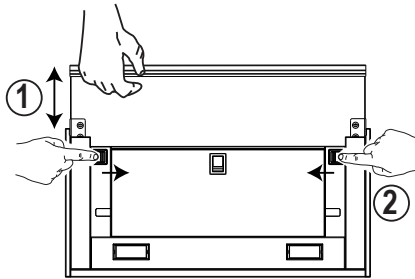
Do not use any sort of scourer. Treat with a stainless steel care product and polish with the structure of the stainless steel.

### Metal grease filters

These must be cleaned once a month (or when the filter saturation indication system – if envisaged on the model in possession – indicates this necessity) using non aggressive detergents, either by hand or in the dishwasher, which must be set to a low temperature and a short cycle. The openings must be placed downwards to let the water run out of the filters. The cleaning agents will make the aluminium filter turn dull, this is normal.

## Cleaning the glass panel

- Open the glass panel by pulling it out.
- Pull the 2 hooks to unlock the glass panel for a further external movement.
- Now the full glass surface can be cleaned.
- It is recommended to use a neutral detergent liquid and a damp cloth to clean the glass.
- Close the glass panel.



## Metal grease filters

The filters can be washed in a dishwasher, and need to be cleaned whenever the **FF** sign appears on the display or at least once every month use. A more frequent cleaning can be necessary if the use is particularly intensive.



## Resetting the alarm signal

- Turn the Lights and the motor off, then disable the 24h function, if enabled.
- Press button **E**.



## Cleaning the Filters

- Open the glass panel
- Remove the filters one at a time, pushing them towards the back of the unit and at the same time pulling downward.
- Wash the filters without bending them, and leave them to dry completely before replacing. (Due to intensive dishwasher cleaning, the filters color might change.)
- Replace, taking care to ensure that the handle faces forwards.
- Close the glass panel.

## Charcoal Filter (Recirculation Version)

The regenerable active charcoal filter must be washed by hand with neutral cleaning products, or in the dishwasher at a maximum temperature of 65 °C (the washing should be done without any plates, dishes, cups, etc. in the machine).

Remove the excess water without damaging the filter, remove the holder and let the filter dry in the oven for at least 15 minutes at a maximum temperature of 100 °C.

To keep the regenerable charcoal filter efficient, this action should be repeated every 4 months or when indicated by the filter indicator (**EF** shown in display).

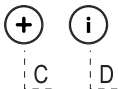
The filter must be replaced after no more than 3 years, or if it has been damaged.

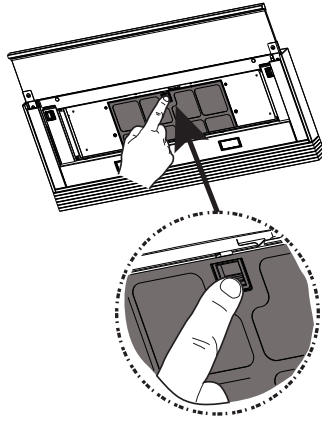


**It is important that the grease filters and the regenerable active charcoal filter are thoroughly dry before repositioning.**

## Activating the alarm signal

- In recirculation version hoods, the filter saturation alarm must be activated on installation or at a later date.
- Turn the lights and the motor off.
- Press **D** and hold for approximately 5 Seconds:
  - The message 'FC' flashes twice, filter saturation alarm **ACTIVATED**
  - The message 'FC' flashes once, filter saturation alarm **DEACTIVATED**





### Resetting the alarm signal

- Turn the lights and the motor off, then disable the 24h function, if enabled.
- Press button **E**.

### Changing the Filter

- Open the glass panel.
- Remove the metal grease filters.
- Remove the saturated charcoal filter by releasing the fixing hook.
- Fit the new filter and fasten it in its correct position.
- Replace the metal grease filters.
- Close the glass panel.

## Lighting unit



**Warning:** This appliance is fitted with a white LED lamp classed as 1M according to EN 60825-1: 1994 + A1:2002 + A2:2001 standards; maximum optical power emitted @439nm: 7 $\mu$ W.

Do not look directly at the light through optical devices (binoculars, magnifying glasses...).

For replacement contact technical support.

## General

This appliance should be connected to the power supply by a recognized fitter who is familiar with, and works according to the correct safety regulations. This appliance meets the European requirements.



### Important that you know:

- The minimum distance between the supporting surface for the cooking vessels on the gashob and the lowest part of the range hood must be not less than 65 cm. For use with an electric, ceramic or induction hob, this distance must be at least 55 cm.
- If the cooker hood is to be fitted to an existing duct no other appliances, such as a geyser or heater, may be connected to that same duct.
- Consider local regulations with respect to the ventilation of gas appliances.
- The shorter the duct, and the fewer the bends in it, the better the cooker hood will work.
- Before you start drilling check that there are no installation cables present.
- The connecting pipe for the cooker hood has a diameter of 120 or 150 mm. It is best also to use a flue pipe of the same diameter.
- The installation material supplied with this range hood is designed for fixing to reinforced concrete or masonry walls. For some types of walls you may need special plugs and screws.

# INSTALLATION

## Electrical connection



**This appliance is manufactured in class I, it must therefore be connected to the earth system.**

Make sure the supply voltage ratings correspond with those stated on the appliance data plate. The connection to the mains is carried out as follows:

BROWN = phase L

BLUE = phase N

YELLOW/GREEN = Earth

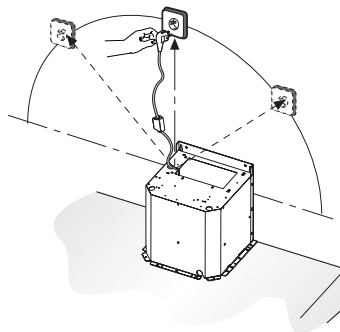
During the electrical connection make sure that the electrical socket is equipped with earth connection.

This canopy hood has been provided with a power plug. When installing the hood, make sure that this plug remains accessible.

### **Attention:**

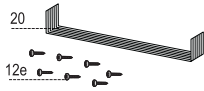
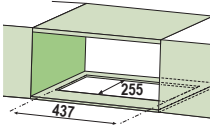
If you want to make a fixed connection, ensure that a multi-pole switch with a distance between contacts of 3 mm is installed in the supply cable.

max. 100 cm



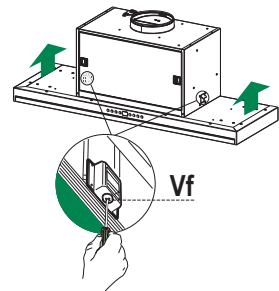
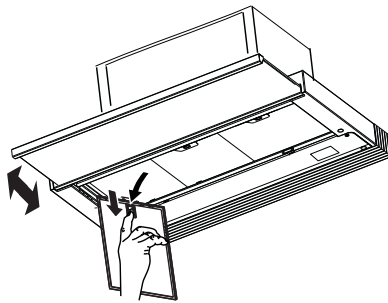
# INSTALLATION

## Montage



### Drilling the support surface and fitting the Hood

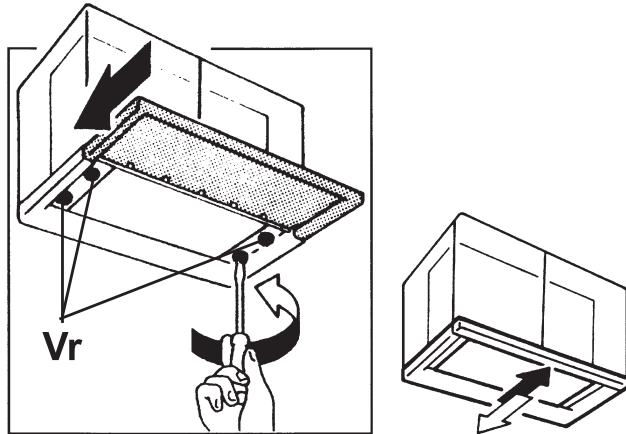
- The hood can be fitted directly on the lower surface of the wall units using the snap-on Side Supports.
- Make an opening on the lower surface of the wall unit, as indicated.
- Screw the closing profile **20** onto the rear part of the hood, using the screws **12e** (2.9 x 12.7) provided.
- Open the glass panel.
- Remove the metal grease filters one by one by turning the hooks provided.
- Close the glass again.
- Insert the hood until the snap-on side supports click into place.
- Open the glass panel.
- Lock in position by tightening the screws **Vf** from underneath the hood.



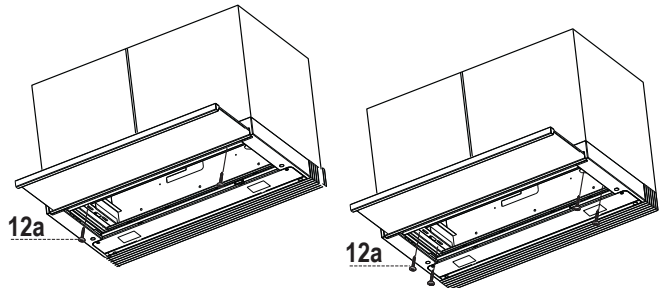
# INSTALLATION

If necessary, adjust the whole filter holder unit and proceed as follows:

- Loosen the four adjustment screws **Vr** and close the glass panel again.
- Move the entire filter holder unit until it is properly aligned with the shelf.
- Keeping the hood casing still, remove the glass panel and lock the adjustment screws again.



- The hood can now be fastened to the shelf using the four screws **12a** (3.5 x 16) provided.
- Replace the metal grease filters.
- Close the sliding glass panel again.



## TECHNICAL SPECIFICATIONS

Hood type	<b>CO4627S</b>	<b>CO4927S</b>
Type / Approval	Telescopic cooker hood 4000	Telescopic cooker hood 4000
Control type	Electronic push buttons	Electronic push buttons
Width	60	90
Supply (Voltage, frequency)	220~240 V / 50 Hz	220~240 V / 50 Hz
Power	280	280
Power motor	270	270
Power lights (W)	2 x LED 5.0 W	2 x LED 5.0 W
<b>Level 1</b>	270 m <sup>3</sup> /h, 46 dB(A), 430 Pa	270 m <sup>3</sup> /h, 46 dB(A), 430 Pa
Air flow, Noise, Pressure		
<b>Level 2</b>	535 m <sup>3</sup> /h, 62 dB(A), 500 Pa	535 m <sup>3</sup> /h, 62 dB(A), 500 Pa
Air flow, Noise, Pressure		
<b>Level 3</b>	640 m <sup>3</sup> /h, 66 dB(A), 550 Pa	640 m <sup>3</sup> /h, 66 dB(A), 550 Pa
Air flow, Noise, Pressure		
<b>Level 4</b>	820 m <sup>3</sup> /h, 72 dB(A), 640 Pa	820 m <sup>3</sup> /h, 72 dB(A), 640 Pa
Air flow, Noise, Pressure		

### Disposal

---

#### Disposal of appliance and packaging

By ensuring this product is disposed of correctly, you will help prevent potential negative consequences for the environment and human health, which could otherwise be caused by inappropriate waste handling of this product. The local authorities can provide you with the relevant information.

The packaging of this appliance is recyclable. It could have been made from:

- cardboard;
- polythene foil (PE);
- CFK-free polystyrene (PS-hard foam).

*You need to dispose of these materials responsibly in accordance with official regulations.*



To draw attention to the fact that the segregated processing of electric household appliances is compulsory, this appliance carries the symbol of a crossed-out dustbin. This means that at the end of its working life, you may not dispose of the appliance as household refuse. Instead, you should hand it in at a special refuse collection centre run by the local authority or at a dealer's providing this service.

Segregated processing of household appliances avoids any negative effects on the environment and public health that might otherwise occur.

It enables the recovery of the materials used in the production of this appliance, thus realising considerable savings in terms of raw materials and energy.

#### Declaration of conformity

We hereby declare that our products satisfy the applicable European directives, orders and regulations, as well as the requirements stated in the referenced standards.











 **ASKO**



566262