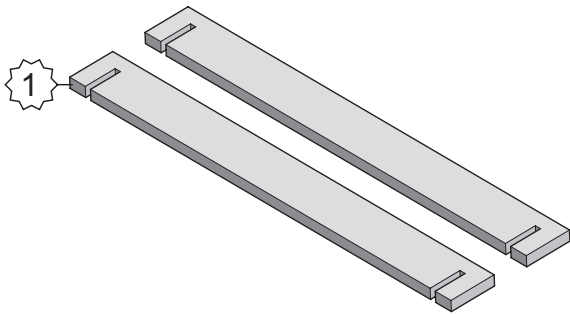
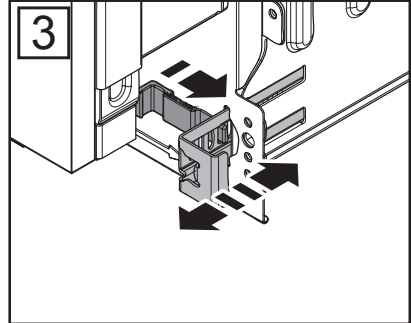
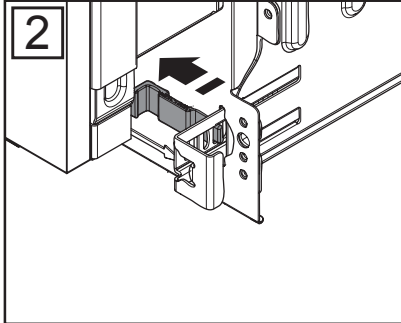
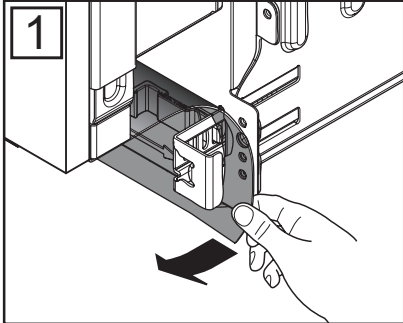
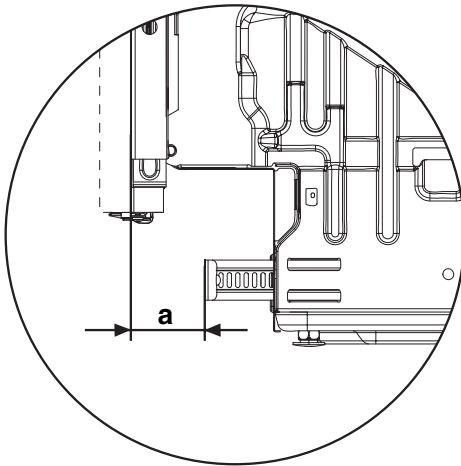
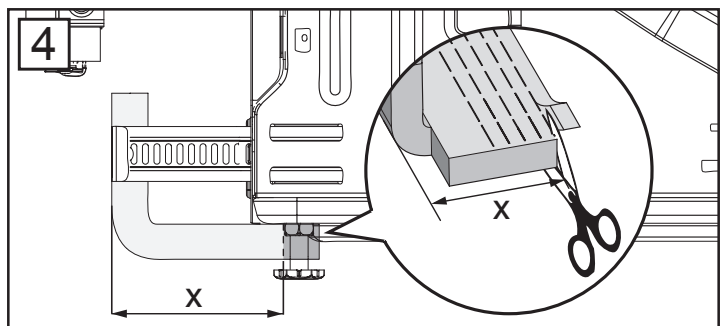
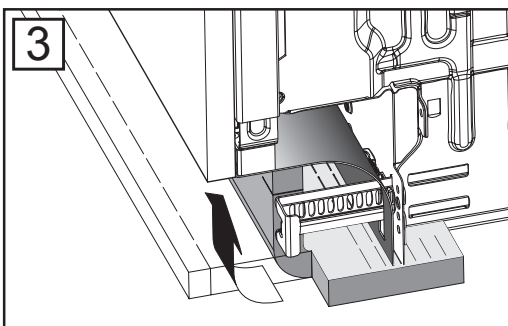
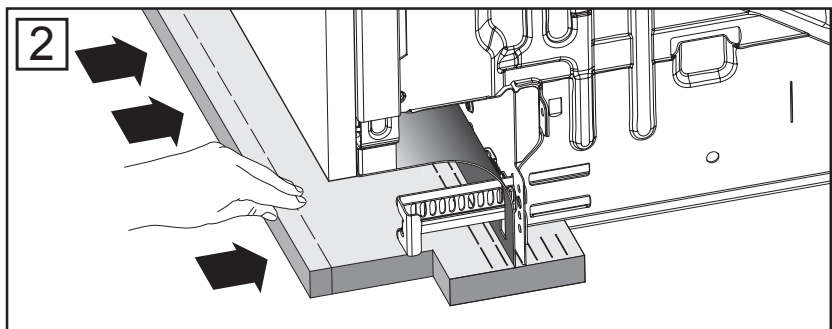
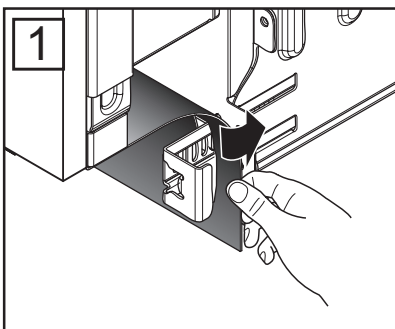
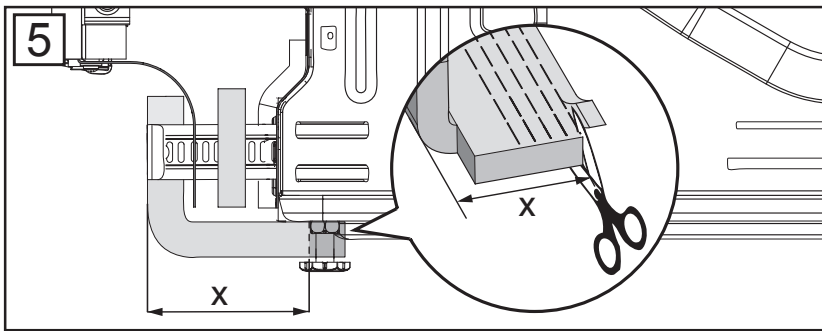
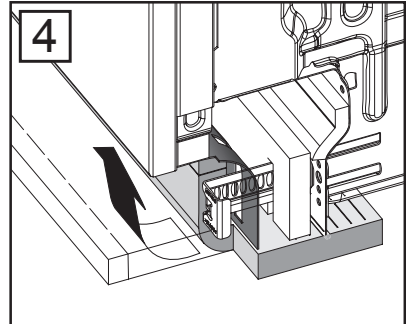
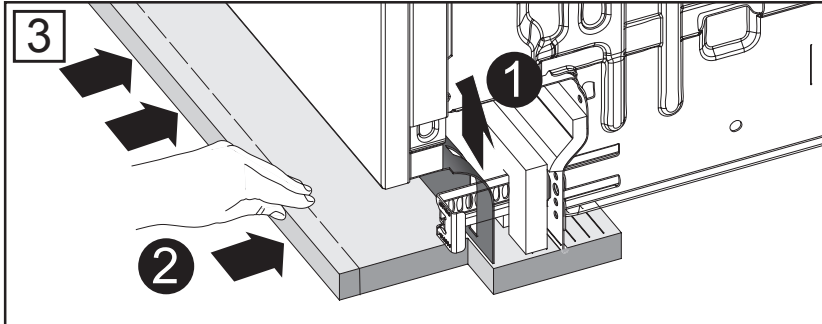
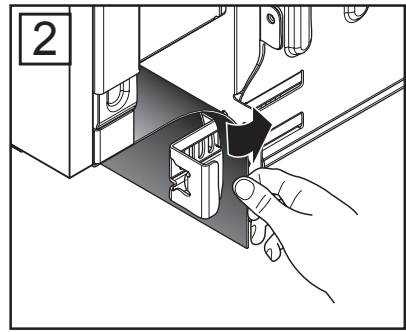
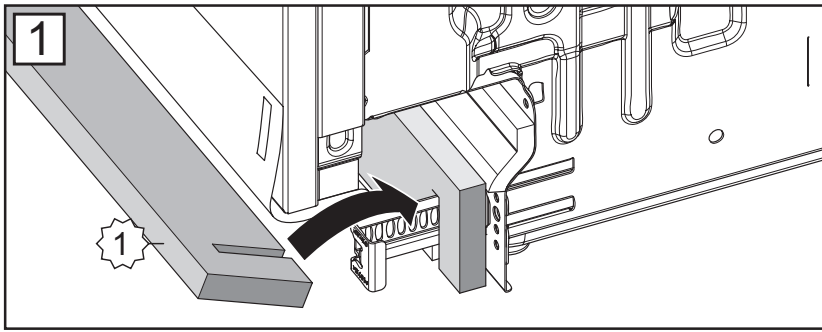


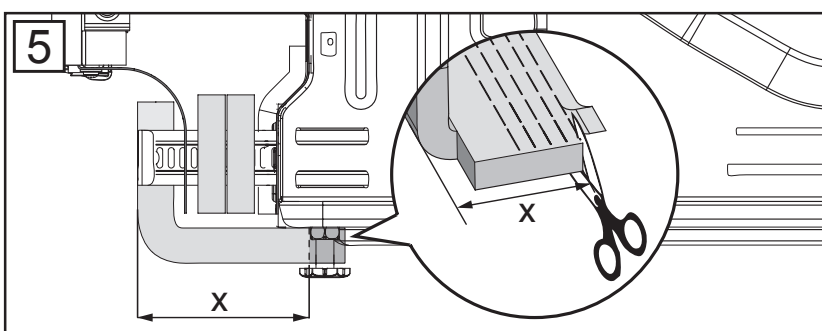
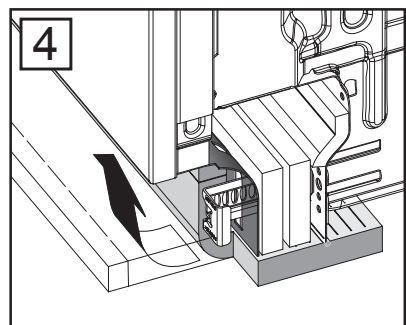
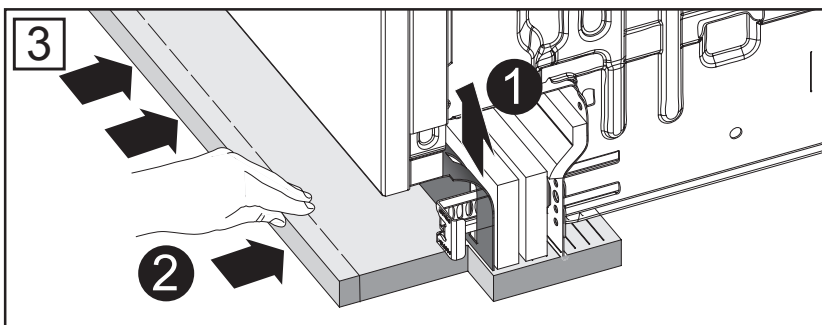
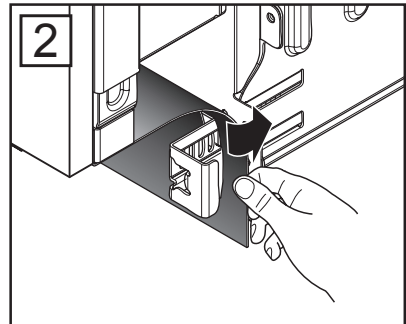
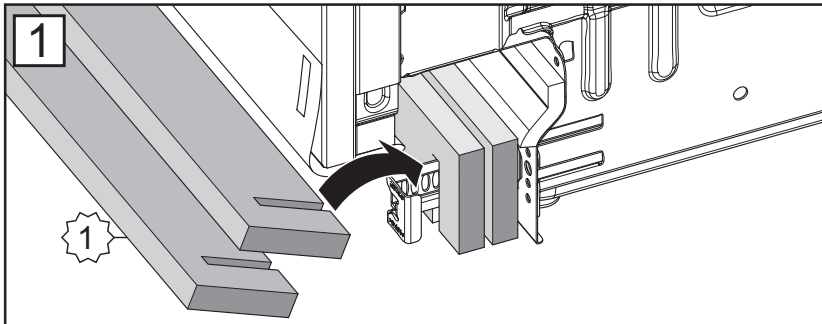
B**1****4** $a = 66-110 \text{ mm}$  $a = 51-65 \text{ mm}$  $a = 30-50 \text{ mm}$ **2**

3



▶▶▶▶ A 16

4



▶▶▶▶ A 16