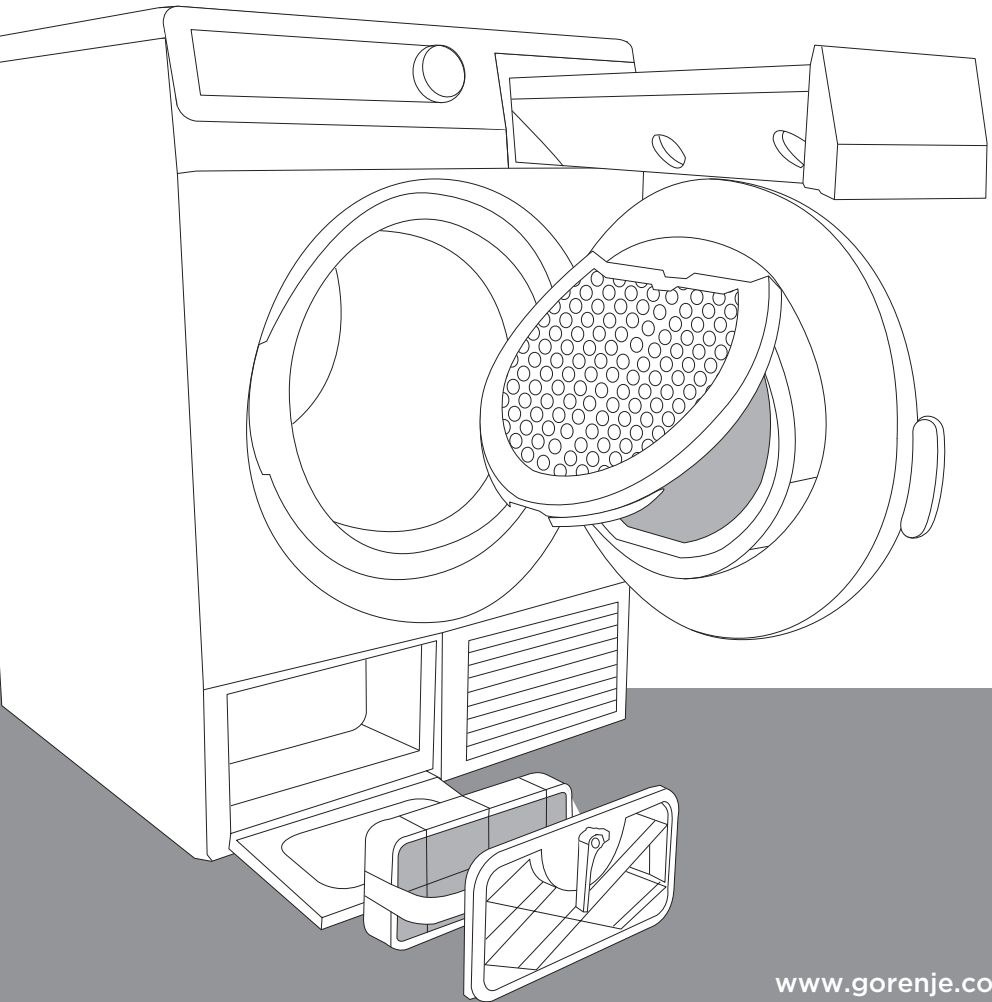


EN

DETAILED INSTRUCTIONS

HOW TO USE YOUR
DRYER

gorenje



We thank you for the confidence you have shown us by purchasing this dryer. Your new dryer complies with the requirements of modern laundry care; it will dry your laundry quickly, leaving it soft and smooth, while use of special programs will not deform it. **SensoCare** technology will allow simple operation of the dryer with very low power consumption. This appliance is designed exclusively for household use for clothes which may be drying in a dryer.



It is essential to read these instructions.

TABLE OF CONTENTS

4 SAFETY PRECAUTIONS 10 APPLIANCE 11 Technical information 12 Control panel description	INTRODUCTION
14 INSTALLATION AND CONNECTION 14 Selecting the room 17 Installation 18 Condensate discharge 19 Electrical connections 20 Moving and transport 20 Subsequent transport 21 Emptying the steam generator tank 22 Ionizer system 22 Steam generator system	GETTING STARTED
23 BEFORE THE FIRST USE	
26 DRYING STEPS (1 - 7) 26 1. Step: Check the tags on your laundry 27 2. Step: Preparing the laundry 30 3. Step: Selecting a program 33 4. Step: Additional functions 34 5. Step: Style 36 6. Step: Program start-up 36 7. Step: End of drying cycle	DRYING STEPS
37 CLEANING AND MAINTENANCE 38 Cleaning the net filter in the door 39 Cleaning the heat pump filter 40 Cleaning the steam generator tank filter 41 Emptying the condensate tank 42 Cleaning the dryer	CLEANING AND MAINTENANCE OF THE APPLIANCE
43 INTERRUPTING AND CHANGING THE PROGRAM 44 What to do...?	TROUBLE-SHOOTING
46 TIPS AND RECOMMENDATIONS FOR DRYING AND ECONOMIC USE OF YOUR DRYER 47 DISPOSAL	OTHER

SAFETY PRECAUTIONS



Please don't use the appliance unless you have studied and understood the instruction manual.

Your dryer is intended solely for household use.

If the dryer is used for professional, for-profit purpose or purpose exceeding normal use in a household, or if the dryer is used by a person who is not a consumer, the warranty period shall be equal to the shortest warranty period required by relevant legislation.

Before connecting the dryer to the power mains, please read carefully the instructions for use which describe the dryer and its correct and safe use. The instructions apply for several appliance types/models; thus, settings or equipment may be described herein which is not available in your dryer.

Failure to observe instructions or incorrect use of the dryer, can lead to damage of laundry, dryer or the user.

Store the instruction manual nearby the dryer.

Do not allow the children to play with the appliance. Prevent your children and pets to enter the dryer drum.

A damaged power cord may only be replaced by a person authorized by the manufacturer.

Air in the dryer environment should not contain dust particles.

Exhaust air must not be discharged into a flue which is used for exhausting fumes from appliances burning gas or other fuels.

The air where the dryer is installed, should be well ventilated to prevent feedback of gases released from the gas appliances with open fire (e.g. fireplace).

The dryer back wall can be hot danger of burns.

Clean the filters after each drying cycle. If you have removed the filters, replace them before the next drying cycle.

Always switch off the dryer after use (the program selector switch should be in the "OFF" position) and unplug the power cord from the wall outlet (to prevent the hazard of lightning or voltage overload).

The dryer employs the heat pump system to heat the air.

The system consists of a compressor and heat exchangers.

After running the dryer, compressor operation, or the sound of flowing liquid, may be somewhat louder. This is not a sign of malfunction and it will not affect useful life of the appliance. In time, dryer operation and this noise will become more quiet.

Leave any repairs and similar tasks on the dryer to an expert.

Unprofessional repair may result in an accident or major malfunction. Call the authorized service department (see list of service departments attached).

The warranty does not cover (consumables (light bulbs), minor deviations in colour, increased noise which is a consequence of the appliance age and does not affect the functionality of the appliance, and aesthetic defects on components that do not affect the functionality and safety of the appliance.

The appliance is manufactured in compliance with all effective safety standards.

Nevertheless, we recommend it is not used by persons with impaired physical or mental abilities and motor skills, or persons with deficient experience or knowledge, without due supervision. The same recommendation applies to the use of appliance by minors.

Never stop the drying cycle before it is completed;

if you do interrupt the cycle for any reason, be careful when removing the laundry from the drum as it is very hot. Quickly remove the laundry from the drum and spread it to allow it to cool down as quickly as possible.

Children under 3 years should be kept away from the machine unless they are not constantly supervised at all times.

The appliance is manufactured in compliance with all relevant safety standards.

This appliance can be used by children aged from 8 years and above and persons with reduced physical, sensory or mental capabilities or lack of experience and knowledge if they have been given supervision or instruction concerning use of the appliance in a safe way and understand the hazards involved. Children shall not play with the appliance. Cleaning and user maintenance shall not be made by children without supervision.

TO REDUCE FIRE HAZARD, PLEASE READ THE FOLLOWING INSTRUCTIONS:



Do not dry in the dryer any laundry, that has not been washed earlier.

Remove all objects such as lighters and matches from the pockets.

Use the dryer only to dry laundry that was washed with water. Do not dry any laundry that was washed or cleaned with inflammable cleaners or substances (such as gasoline, trichloroethylene etc.) as this may result in an explosion.

Laundry stained with oil, acetone, alcohol, oil derivatives, stain removers, turpentine, wax, and wax removers should be washed in a washing machine with hot water and detergent before it is dried in the dryer.



Clothing that includes foam rubber, latex, rubber parts, shower and bathing caps, water proof textiles, and rubber backed articles and clothes or pillows fitted with foam rubber pads should not be dried in the tumble dryer.

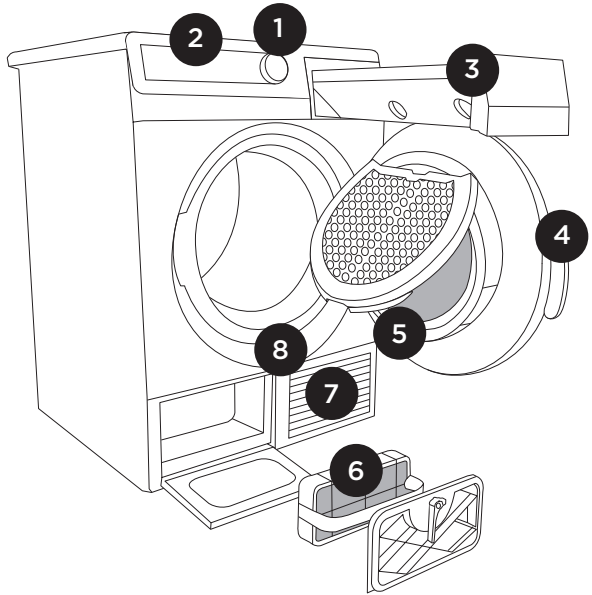
Laundry conditioners or similar products have to be used in compliance with manufacturer's instructions.

APPLIANCE

(DRYER DESCRIPTION)

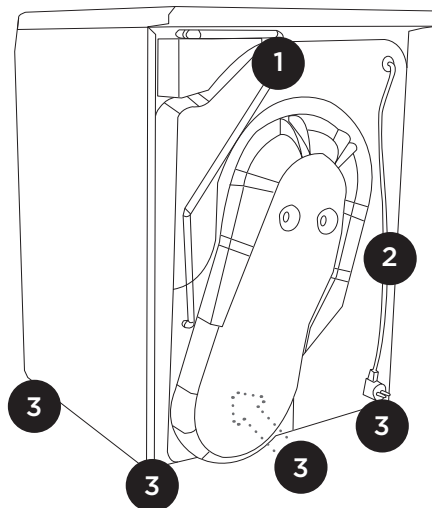
FRONT

- 1 Program selector dial
- 2 Control panel
- 3 Condensate tank
- 4 Door
- 5 Net filter
- 6 Heat pump filter
- 7 Air vent
- 8 Rating plate



BACK

- 1 Condensate discharge pipe
- 2 Power cord
- 3 Adjustable feet



TECHNICAL INFORMATION

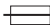

(DEPENDING ON THE MODEL)

The rating plate with the basic information on the dryer is located under the door frame.

Width	600mm
Height	850mm
Depth	600mm
Depth with door open	1100mm
Weight	XX/YY kg (depending on the model)
Rated voltage	See rating plate
Fuse	See rating plate
Nominal power	See rating plate
Amount of refrigerant	420g
Type of refrigerant	R407C / R134a (depending on the model)
Maximum load	See rating plate

This product contains fluorinated greenhouse gases.
 Type of refrigerant: R134a
 Quantity of refrigerant: 0.42 kg
 Total GWP: 1430
 CO₂ equivalent: 0.601 t
 Hermetically sealed.

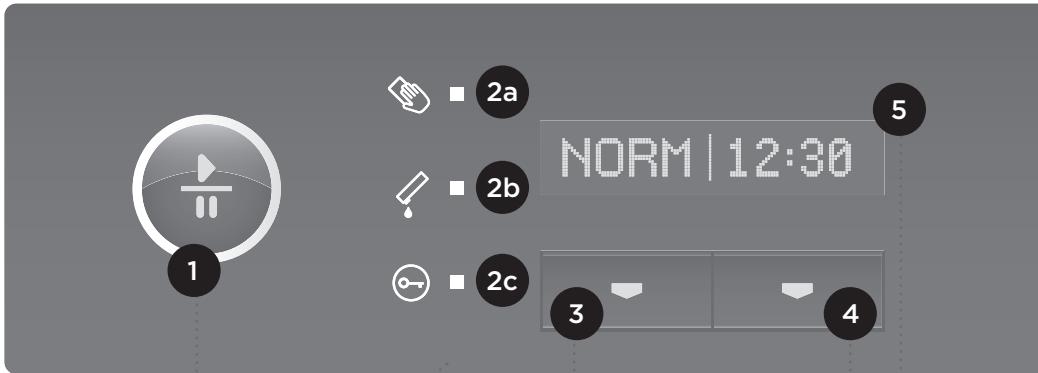
The rating plate

gorenje	TYPE: SP10/XXX	MODEL: XXXXXXX
	Art.No.: XXXXXXX	Ser.No.: XXXXXXX
	AC 220-240V 50 Hz	
	Pmax.: XXXXW	RXXXX/420g
	 10A	
MADE IN SLOVENIA	IPX4	

CONTROL PANEL DESCRIPTION

FOR MODELS: A) IONIZER + STEAM AND B) IONIZER

A) IONIZER + STEAM



START | PAUSE



1 **START/ PAUSE key,**
use this key to start or stop the program. When selected, the signal light on the key will flash. When the program has started it will be lit continuously.

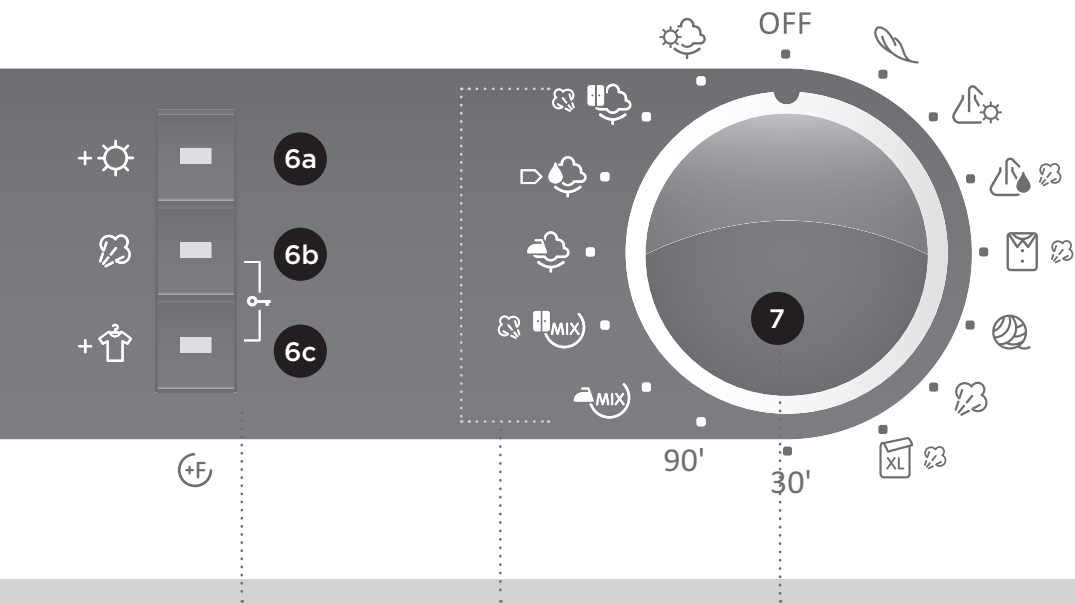
2 **a, b, c: SIGNAL LIGHTS are on:** when it is necessary to clean the filter, empty the condensate tank or when the child lock is on.

3 **STYLE key**
NORMALcare
GENTLEcare (low temperature)

4 **START DELAY key,**
to select the delayed start of the drying program.

5 **DISPLAY** showing the DRYING STYLE on the left
NORM |
and DELAYED START or time to the end of the cycle on the right

| 12:30

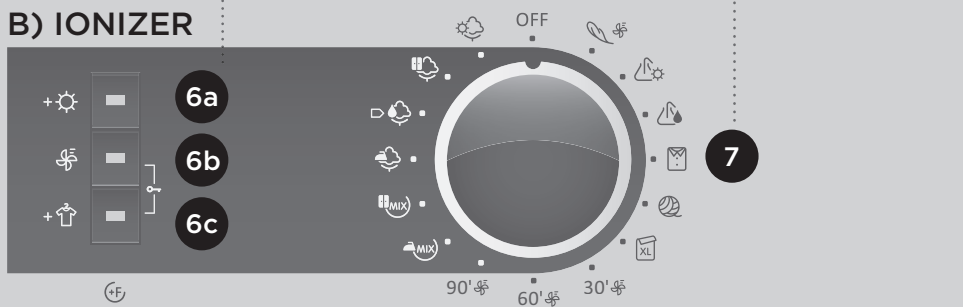


6 a, b, c: **ADDITIONAL FUNCTION** keys, to extend or adjust the basic programs.

MOST USED PROGRAMS

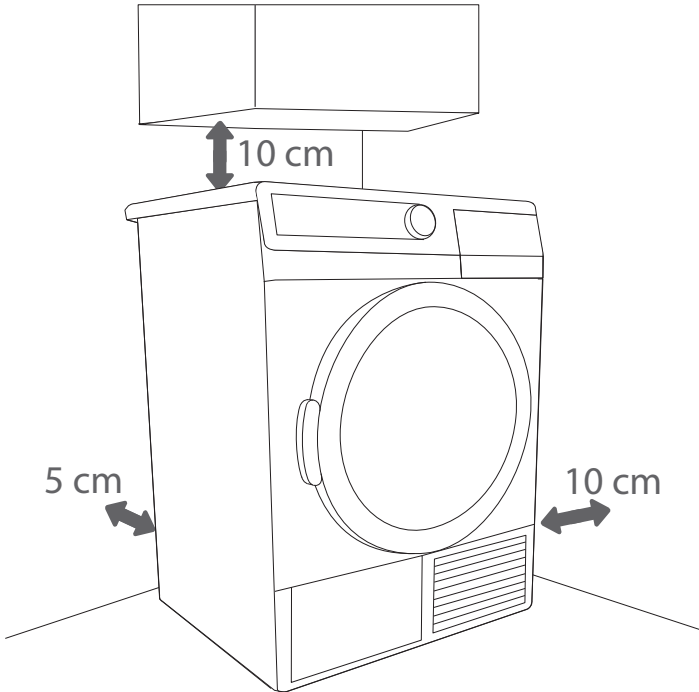
7 **ON/OFF and PROGRAM SELECTOR** dial

B) IONIZER



INSTALLATION AND CONNECTION

SELECTING THE ROOM



Ventilation slots and the opening on the front and rear side should always be kept free.

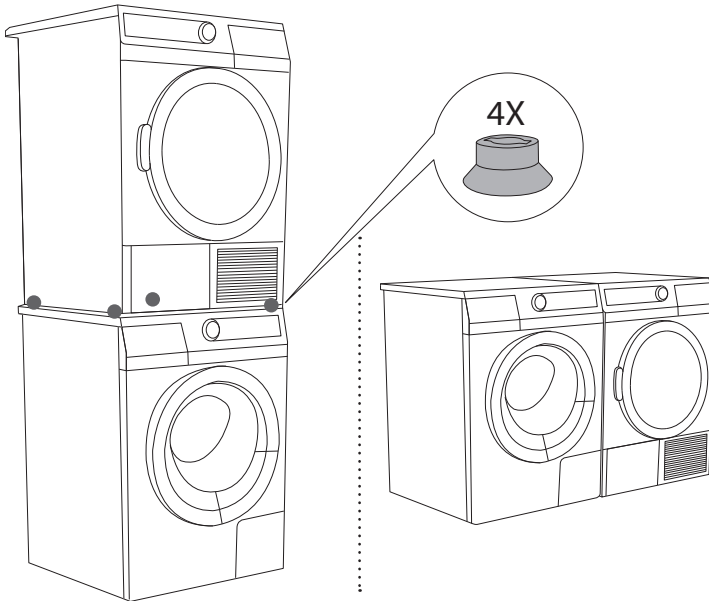
Do not install the appliance in a room where there is danger of frost.

The room in which the appliance is installed should be adequately ventilated, with temperature between 10°C and 25°C. When the dryer is operated at a lower ambient temperature, condensate can accumulate in the appliance interior. Frozen water in the condensate tank or pump may damage the dryer.

The surrounding illumination in the installation room should be adequate to read the front panel properly.

When installing the dryer in a room, note the required clearance as indicated in the image. In case of failure to heed the required minimum clearance, the dryer may overheat.

POSITIONING THE APPLIANCE



Positioning the appliance on top of the washing machine by using the vacuum feet or side by side.

Dryer can be stand freely on the floor or on a washing machine of the same dimensions - minimum width 517 mm, minimum depth 476 mm. The surface on which the dryer is placed should be clean and level.

Use the vacuum feet attached; they are designed to prevent the dryer from sliding. (Vacuum feet are attached or can be purchased (depending on model)).

Washing machine on which you wish to install the dryer must be able to bear the weight of the dryer (see washing machine's rating plate or technical information).



Do not place the dryer behind lockable or sliding door or door with a hinge opposite the dryer. Install the dryer in such way that the door can always be freely opened.

Never block the cool air opening (see dryer description).

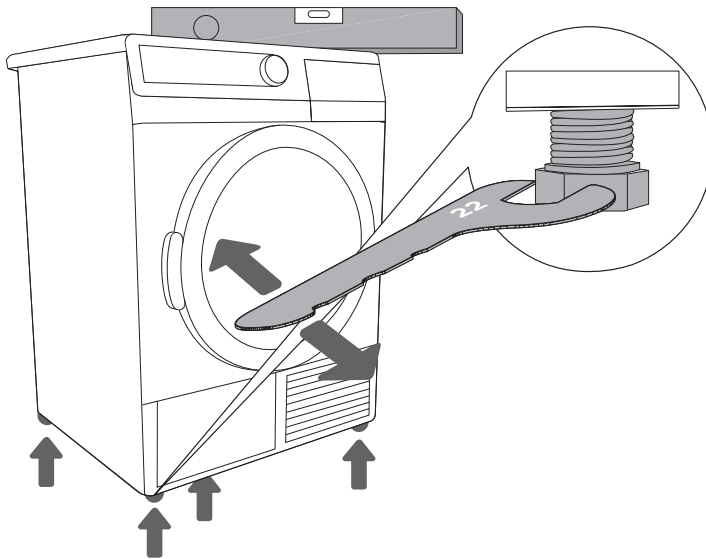
Drying machine on top should be placed by at least two persons.

Do not place the dryer on a carpet with long fibres as this may impede air circulation.

The appliance may not be in contact with a wall or adjacent furniture.

Lint must not be allowed to accumulate around the tumble dryer.

INSTALLATION



.....
Level the dryer in longitudinal and traverse direction by rotating the adjustable feet which allow levelling by +/- 1 cm. Use key nr. 22 and spirit level.



Floor on which the machine is placed must have a concrete base. They must be clean and dry; otherwise, the machine may slide. Also clean the adjustable feet.

The appliance must stand level and stable on a solid base.

Vibrations, moving of the appliance across the room, or loud operation due to improperly adjusted feet are not covered by the warranty.

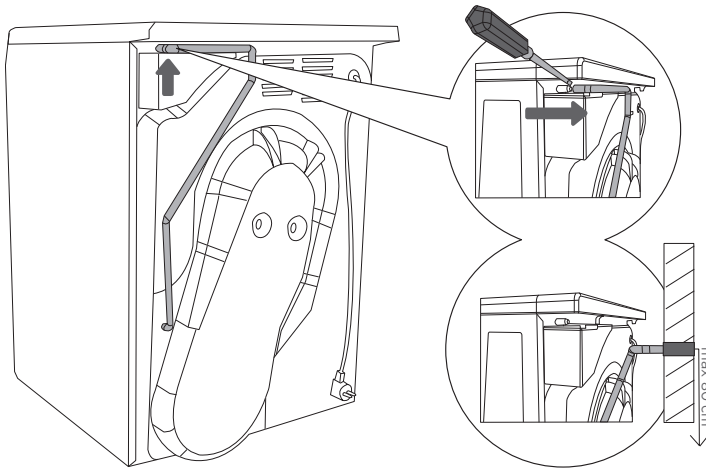
Sometimes, unusual or loud noise may appear during appliance operation; these are mostly the result of improper installation.

CONDENSATE DISCHARGE

The moisture from the laundry is extracted in the condenser unit and accumulated in the condensate tank.

During the drying process, a control light will warn you of a full condensate tank which has to be emptied.

Interruption of the drying cycle due to full condensate tank can be avoided by running the condensate discharge tube found at the back of the appliance directly into a drain.



.....
1 Pull the tube to remove it with flat screw-driver, from the holder on the appliance back wall (on the left hand side under the cover).
.....

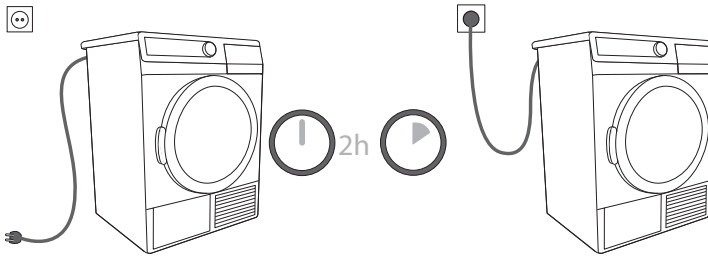
2 Install tube into the drain, at a height of 80 cm from the ground.



If the condensate discharge tube is run into a drain, make sure the tube is firmly secured. This will prevent any water spillage which could result in unexpected damage.

In this case, the steam generator tank will not be filled automatically. It will always require manual filling (see section Filling and replenishing the steam generator tank).

ELECTRICAL CONNECTIONS



The dryer should be left to stand still for at least two hours before it is connected to the power mains to allow the system to stabilize.

Use the power cord to connect the dryer to the power mains through a power outlet. The dryer may not be connected to the power mains through an extension cable (danger of overheating and fire). Nominal voltage and other information is given on the rating plate located under the door frame.

To prevent from damage by excess voltage on the mains due to lightning strike we recommend to use a class I over-voltage protector between the machine and the mains.



After installation, the wall outlet should be freely accessible. The outlet should be fitted with an earth contact (in compliance with the relevant regulations).

A damaged power cord may only be replaced by a person authorized by the manufacturer.

MOVING AND TRANSPORT

If the dryer cannot be transported in the upright position, tilt it to the left side.



If the appliance was not transported in compliance with the instructions, the dryer should be left to stand still at least two hours before it is reconnected to the power mains. Failure to do so may result in a heat pump failure which shall not be covered by the warranty.

Be careful not to damage the cooling system.

SUBSEQUENT TRANSPORT

After each drying cycle, a small amount of condensed water will remain in the pump section. Switch on the appliance and choose one of the programs, then let the appliance operate for approximately half a minute. This will pump out the remaining water and prevent damage to the dryer during transport.



After transport, the dryer should be left to stand still for at least two hours before it is connected to the power mains to allow the system to stabilize. We recommend that installation and connection should be done by a qualified person.

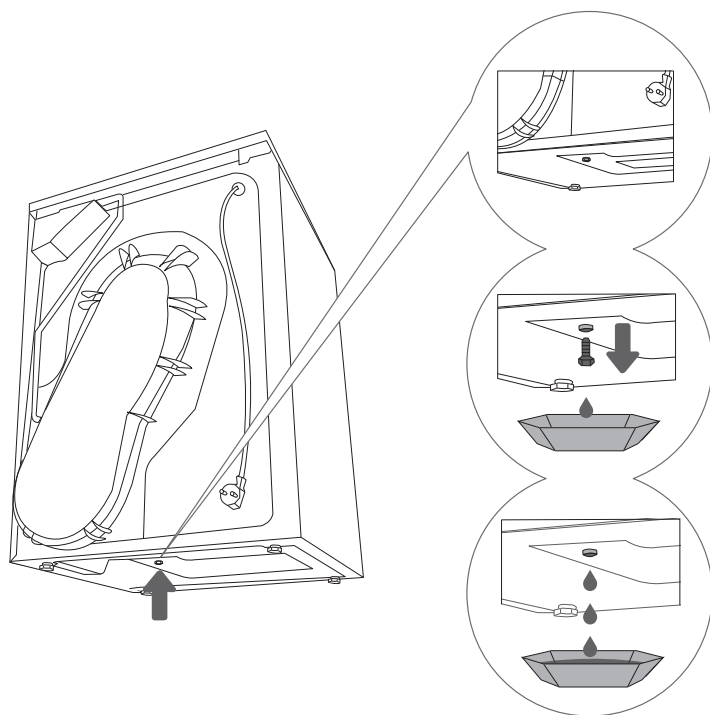
The belt can be replaced by a servicing engineer only, who incorporates an original spare part with the marking OPTIBELT EPH 1906, code 104265, OPTIBELT 8 EPH 1941, code 160165 (depending on model).

Before connecting the appliance, read the instructions for use. Repair or any warranty claim resulting from incorrect connection or use of the appliance shall not be covered by the warranty.

EMPTYING THE STEAM GENERATOR TANK

(ONLY FOR MODEL WITH STEAM GENERATOR)

Before **transporting** a dryer that has been previously used, the steam generator tank must also be emptied. Otherwise, water from the tank may spill into the dryer interior. Move the dryer approximately 40 cm away from the wall and tilt it backwards.



1 The steam generator tank emptying plug is located on the front side (lower right hand side).

2 Place an empty vessel under the plug (approximately 2 l) and pull out the plug

3 When the water is discharged, replace the plug (if the plug is not replaced, water will spill from the dryer during the next drying cycle).

IONIZER SYSTEM

(CERTAIN MODELS ONLY)

Ionizer adds negative ions into the dryer drum, which has a positive effect on the laundry.

The fibre will be flexible and your clothes will be tender and easy to iron. The process takes place during the drying programs.

.....

STEAM GENERATOR SYSTEM

(DEPENDING ON THE MODEL)

Care and treatment of your laundry with steam.

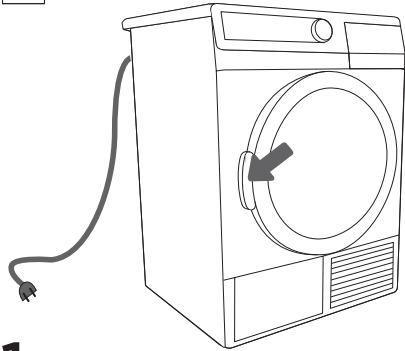
Use steam to straighten the creases and refresh the laundry. The laundry will become soft and smooth, making ironing much easier.



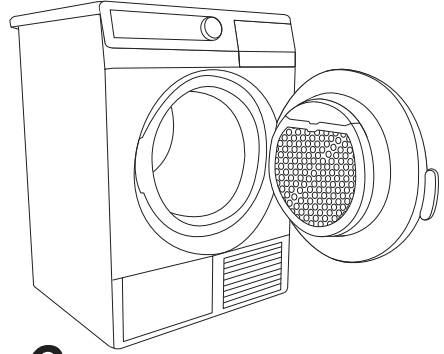
After the end of the drying program, immediately remove the laundry from the dryer to prevent it from creasing again.

BEFORE THE FIRST USE

Make sure the dryer is unplugged. Then, open the door by pulling the left side of the door towards you.



1



2



Clean the dryer drum before using the dryer for the first time. Use a damp cloth and a mild cleaning agent.

BEFORE USING THE APPLIANCE FOR THE FIRST TIME

(MODEL WITH STEAM GENERATOR)

If you select one of the steam programs as the first program to be run with your dryer, first add distilled water to the steam generator tank; the dryer needs the distilled water to generate steam.

If the steam generator tank is empty, none of the steam programs will be available. "LO" (steam generator tank empty) will appear on the display. Later, the system is automatically filled with condensed water accumulated during the drying process.

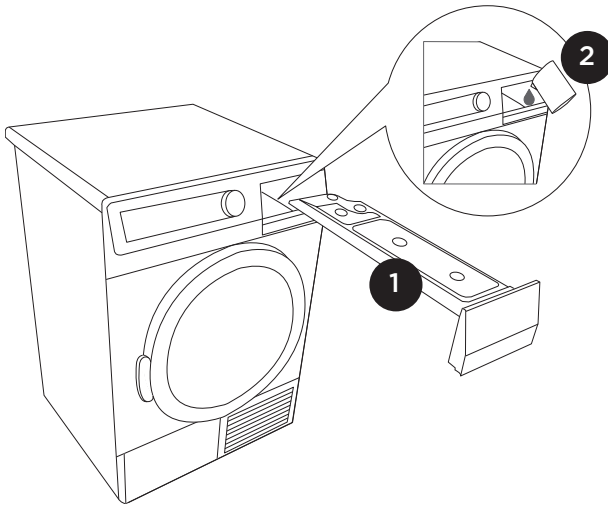


Only use distilled water. Do not use regular tap water or any additives. Limescale may damage the heater. Malfunction or failure due to accumulation of limescale is not covered by the warranty.

Add distilled water when the appliance is switched on and one of the steam programs is selected (but before starting any drying program). Otherwise, the level sensor will not operate and water may overflow to the dryer interior.

FILLING AND REPLENISHING THE STEAM GENERATOR TANK

(MODEL WITH STEAM GENERATOR)



.....

1 Remove the condensate tank.

.....

2 Slowly add distilled water to the steam generator tank filter











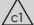

















By slowly pouring, you will prevent the water from flowing down the front wall of the appliance. (Steam generator tank is not visible as it is located in the dryer interior; only the steam generator tank filter is visible.)

When the steam generator tank is full, "FULL" will be displayed on the screen and an acoustic alarm will be emitted.

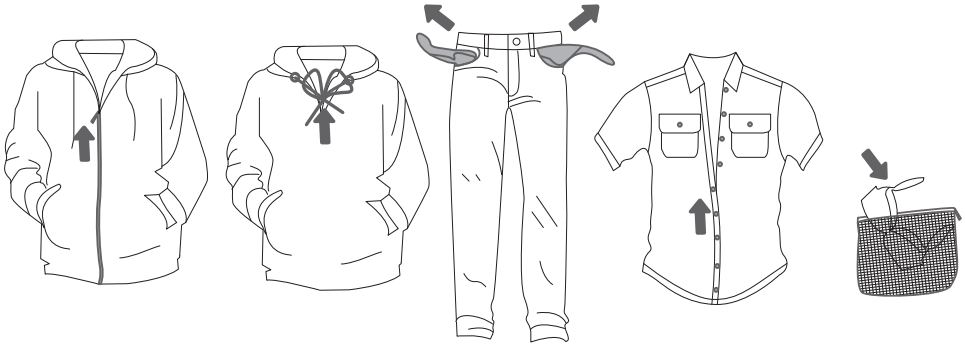
DRYING STEPS (1 - 7)

1. STEP: CHECK THE TAGS ON YOUR LAUNDRY

Normal wash Delicate wash	Max. washing 95°C  	Max. washing 60°C  	Max. washing 40°C  	Max. washing 30°C  	Manual washing 	Washing not allowed 
Whitening	Whitening in cold water 			Whitening not allowed 		
Dry cleaning	Dry cleaning in all solvents 	Perchloret-ylene R11, R113, Petrolej 	Dry cleaning in kerosene, in pure alcohol and in R 113 	Dry cleaning not allowed 		
Ironing	Hot iron max. 200°C 	Hot iron max. 150°C 	Hot iron max. 110°C 	Ironing not allowed 		
Drying	Place on flat surface 	Hang wet  Hang 	High temp.  Low temp. 	Tumble drying not allowed 		

2. STEP: PREPARING THE LAUNDRY

1. Sort the laundry by type and thickness of the fabric (see Program Table).
2. Close the buttons and zips, tie any ribbons, and turn the pockets inside out.
3. Place very sensitive clothes in a special-purpose laundry washing bag. (The special-purpose textile bag is available separately.)



The following types of laundry may not be dried in the dryer as this may cause your garments to deform:

- leather garments and other leather products;
- garments that are waxed or treated in any other way;
- garments with major wooden, plastic, or metal parts;
- garments with spangles;
- garments with metal parts subject to rusting.

The final part of a tumble dryer cycle occurs without heat (cool down cycle) to ensure that the items are left at a temperature that ensures that the items will not be damaged.

Remove all objects from pockets such as lighters and matches.

Oil-affected items can ignite spontaneously, especially when exposed to heat sources such as in a tumble dryer. The items become warm, causing an oxidation reaction in the oil. Oxidation creates heat. If the heat cannot escape, the items can become hot enough to catch fire. Piling, stacking or storing oil-affected items can prevent heat from escaping and so create a fire hazard.

If it is unavoidable that fabrics that contain vegetable or cooking oil or have been contaminated by hair care products be placed in a tumble dryer they should first be washed in hot water with extra detergent - this will reduce, but not eliminate, the hazard.

DRYING IN A BASKET (ONLY WITH SOME MODELS)



Prior to first drying remove the basket and any wrappings from the drum.

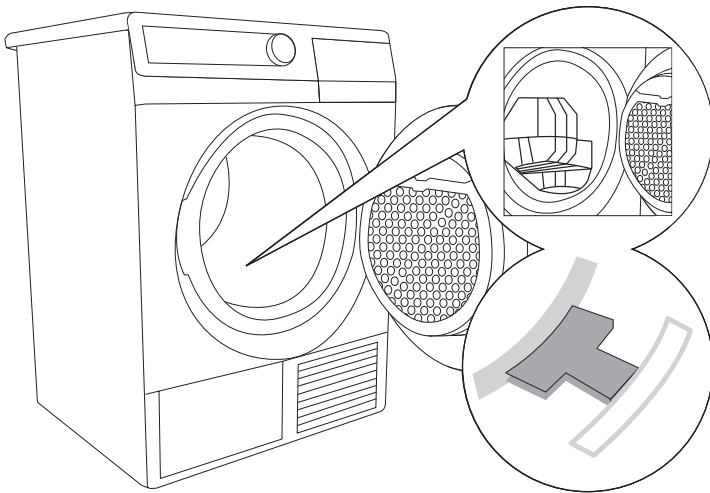
Drying in a basket may be selected only at time defined drying.

Mount the basket in the opposite order of the procedure for its removal, but without the transport packaging.

The basket drying function is used to dry sneakers or other things which you want to prevent from tumbling within the drum (max. load: 2,5 kg).

Dry only clean sneakers. Wring them after washing to such extent that they do not drip water prior inserting into the dryer.

During this function the basket remains still. Be careful to avoid things which are being dried to touch the drum as they may get stuck and thus damaged.

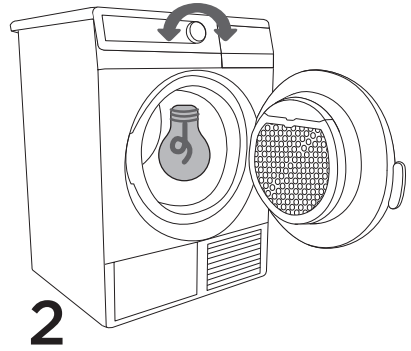
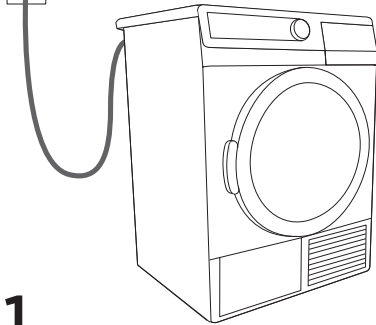


SWITCHING ON THE DRYER

Connect the appliance to the power mains by plugging in the power cord.

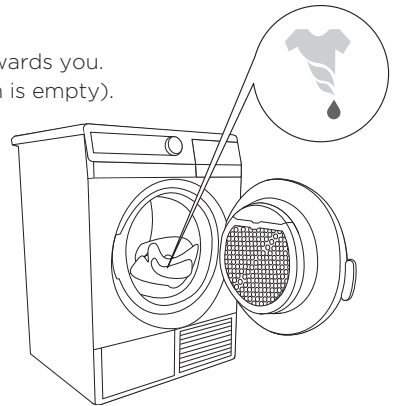
To light up the drum (certain models only), rotate the program selector dial to any position.

(The drum light is not suitable for other purpose.)



LOADING THE DRYER

Open the door by pulling the left side of the door towards you.
Insert the laundry into the drum (make sure the drum is empty).



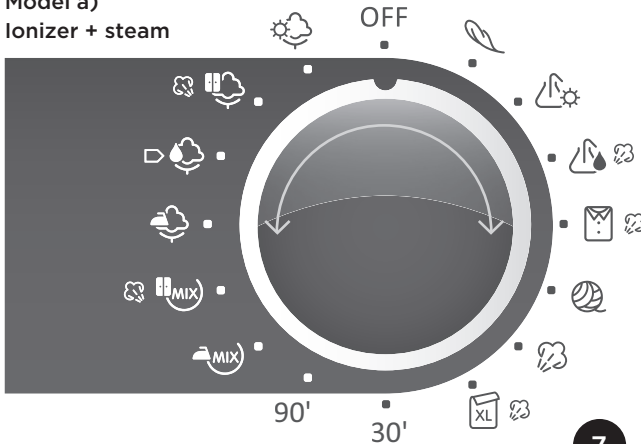
Do not insert laundry into the dryer if it has not been wrung or spun (recommended minimum spinning cycle: 800 rpm).

Close the dryer door.

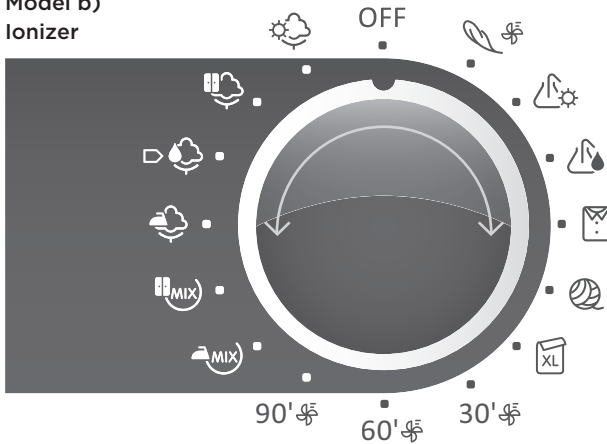
3. STEP: SELECTING A PROGRAM

To select a **program**, rotate the program selector dial to the left or to the right (according to the type of desired level of dryness of the laundry).

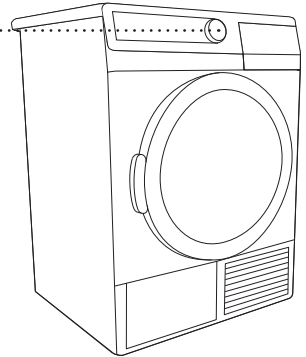
Model a)
lonizer + steam



Model b)
lonizer














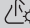

7



During operation, the dial will not rotate automatically.

PROGRAM TABLE




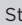






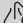
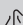

MODEL WITH STEAM GENERATOR

Program Dryness levels	Max. load	Laundry	Extra functions
Cotton  Ultra*  Storage  Standard <input type="checkbox"/>  Iron	9 kg (D9864E)	Non-delicate cotton laundry (towels, terry towels, stockinette, T-shirts, trousers, kitchen cloths etc.) <i>NOTE: Cotton Ultra, normal Extra dry level 3 is the cycle for drying a normal load at rated capacity.</i>	<ul style="list-style-type: none"> • Air ionizer • Low temperature • Start delay • Extra dry • Anticrease extra • Steam (only with cotton - storage dry)
Mix  Storage  Iron	3,5 kg	Clothing made of a mixture of fibres (trousers, T-shirts, suits etc.)	<ul style="list-style-type: none"> • Air ionizer • Low temperature • Start delay • Extra dry • Anticrease extra • Steam (only with mix - storage dry)
Timed program Duration: 30' / 90'	3,5 kg	Laundry that needs to be thoroughly dried, or a small amount of laundry, or individual garments.	<ul style="list-style-type: none"> • Air ionizer • Low temperature • Start delay • Anticrease extra
 Bedlinen	5 kg	Larger pieces of laundry (bedding, large tablecloths, large towels etc.) - prevents the laundry from forming into a bulk.	<ul style="list-style-type: none"> • Air ionizer • Low temperature • Start delay • Extra dry • Anticrease extra • Steam
 Refresh steam	2 kg	Clothing that you wish to treat with steam (seasonal clothing, preparing the laundry for easier ironing etc.)	<ul style="list-style-type: none"> • Start delay
 Wool softening	2 kg	Wool garments and garments made of wool blend fabric (sweaters, scarves, head scarves etc.) - the program is only intended for loosening or softening, but not for drying.	
 Shirts	2 kg	Shirts and blouses	<ul style="list-style-type: none"> • Air ionizer • Low temperature • Start delay • Extra dry • Anticrease extra • Steam
Synthetics  Dry  Ultra	3,5 kg	Garments made of or containing with synthetic fibres (T-shirts, trousers, suits, socks and stockings, gowns etc.)	<ul style="list-style-type: none"> • Air ionizer • Low temperature • Start delay • Extra dry • Anti-crease • Steam (only for synthetics - ultra)
 Sensitive	2 kg	Laundry that requires drying at lower temperatures (blouses, delicate underwear, shirts with additional décor etc.) - Use of special-purpose laundry washing bag is recommended.	<ul style="list-style-type: none"> • Start delay • Extra dry

* Program Cotton Ultra normal, Extra dry level 3 at rated load capacity was used for the testing for energy according to AS/NZS 2442. The cool down cycle commences when 9min is noted on the control panel display.


PROGRAM TABLE


MODEL WITHOUT STEAM GENERATOR


Program Dryness levels	Max. load	Laundry	Extra functions
Cotton  Ultra*  Storage  Standard   Iron	9 kg	Non-delicate cotton laundry (towels, terry towels, stockinette, T-shirts, trousers, kitchen cloths etc.)	<ul style="list-style-type: none"> • Air ionizer • Low temperature • Start delay • Extra dry • Anticrease extra
Mix  Storage  Iron	3,5 kg	Clothing made of a mixture of fibres (trousers, T-shirts, suits etc.)	<ul style="list-style-type: none"> • Air ionizer • Low temperature • Start delay • Extra dry • Anticrease extra
Timed program Duration: 30' /60' /90'	3,5 kg	Laundry that needs to be thoroughly dried, or a small amount of laundry, or individual garments.	<ul style="list-style-type: none"> • Low temperature • Start delay • Anti-crease • Venting
 Bedlinen	5 kg	Larger pieces of laundry (bedding, large tablecloths, large towels etc.)	<ul style="list-style-type: none"> • Air ionizer • Low temperature • Start delay • Extra dry • Anticrease extra
 Wool softening	2 kg	Wool garments and garments made of wool blend fabric (sweaters, scarves, head scarves etc.) - the program is only intended for loosening or softening, but not for drying.	
 Shirts	2 kg	Shirts and blouses	<ul style="list-style-type: none"> • Air ionizer • Low temperature • Start delay • Extra dry • Anticrease extra
Synthetics  Dry  Ultra	3,5 kg	Garments made of or containing with synthetic fibres (T-shirts, trousers, suits, socks and stockings, gowns etc.)	<ul style="list-style-type: none"> • Air ionizer • Low temperature • Start delay • Extra dry • Anticrease extra
 Sensitive	2 kg	Laundry that requires drying at lower temperatures (blouses, delicate underwear, shirts with additional décor etc.) - Use of special-purpose laundry washing bag is recommended.	<ul style="list-style-type: none"> • Start delay • Extra dry • Anticrease extra • Venting


* Program Cotton Ultra, Extra dry level 1, anticrease turned off, at rated load capacity was used for the testing for energy according to AS/NZS 2442. The cool down cycle commences when 9min is noted on the control panel display.

Dryness levels:

 The laundry is dried intensively; therefore, the program is suitable for laundry that its more difficult to dry.

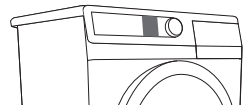
 After drying, the laundry is dry enough for storing in the closet.

 After drying, the laundry will be dry.

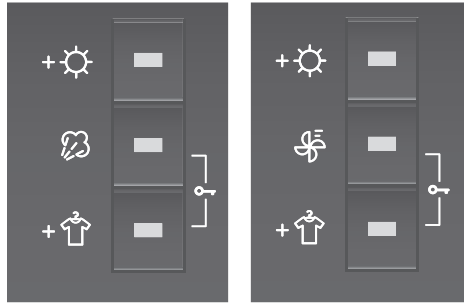
 After drying, the laundry is still moist and therefore suitable for ironing.

If your laundry is not dried to the desired dryness level, use extra functions or use a more suitable program.

4. STEP: ADDITIONAL FUNCTIONS



- 6a
- 6b
- 6c



Activate/deactivate the function by pressing the relevant key (before pressing the START/PAUSE key).



Extra dry

Each time the key is pressed (three levels), the final level of laundry dryness and drying time will change.



Steam (depending on the model),

for straightening the creases and refreshing the laundry with steam, only for programs in which steam treatment is possible. (next to the program is symbol)



Venting (depending on the model),

for refreshing clean clothes with cool air. (next to the program is symbol)



Anticrease Extra

To prevent creasing if the laundry is not taken from the dryer immediately after the end of the drying cycle.

Default setting is two hours. Duration can be set from zero to a maximum of four hours. The most recent setting is stored. The function is deactivated when the dryer door is opened.

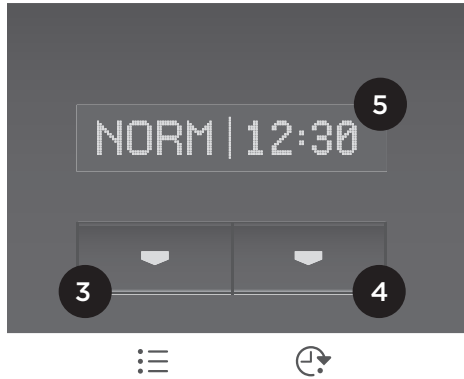
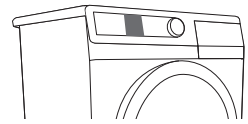


Child lock

To activate the child lock by simultaneously pressing the (6b) and (6c) keys and holding them for at least three seconds. The signal light will light up to confirm the selection.

Follow the same procedure to deactivate the child lock. As long as the child lock is activated, program or additional functions cannot be changed. The appliance can only be switched off by rotating the program selector dial (7) to the "OFF" position. Child lock will remain activated even after the appliance is switched off. In order to select a new program, it has to be switched off.

5. STEP: STYLE



Selecting the drying style (drying temperature)

NORM (Normal drying – default setting)
GENT (Low drying temperature)



Start delay

Use this function to start the drying cycle after a certain amount of time has elapsed.

Delay time can be set to up to five hours in 30-minute steps and up to 24 hours in 1-hour steps.

The function is activated when the START/PAUSE key is pressed.

Time is counted down by minutes. When the countdown reaches zero, the selected drying program will start automatically.

To interrupt or change the program delay time press the START/PAUSE key. Press the (4) key to select a new delay time. To confirm the new setting, press the START/PAUSE key.

To quickly cancel the delayed start setting, press the (4) key and hold it for 3 seconds.

In case of a power supply failure before the delay time has elapsed, press the START/PAUSE key to resume the countdown.



Some functions cannot be selected with some programs; an acoustic signal and a flashing light will remind you of such cases (see Program Table).

SOUND SIGNAL LEVEL

Select the acoustic signal loudness by simultaneously pressing a key (6a) and rotating the program selector dial (7) clockwise to the initial position. Each time the key (6a) is pressed, the final loudness level is changed (three levels). Loudness level is indicated on the display unit. The most recent setting is stored.

SETTING THE CONTRAST LEVEL

To select the contrast level on the display, simultaneously press the (3) key and rotate the program selector dial (7) clockwise to the initial position. Each time you press the (3) (-) or (4) (+) key, the level of contrast on the display unit is changed (9 levels; press (3) to decrease the level, press (4) to increase). Contrast level is indicated on the display unit. The most recently selected contrast level is stored automatically after 5 seconds, or after you press the (6b) key.



After disconnecting the appliance from the power mains, all settings will be reset to their default factory values, except for the contrast setting, acoustic signal setting, anti-crease feature, and the child lock setting.

STANDBY MODE

If no program is selected and started and no other action is taken within five minutes after turning on the machine, the display will be automatically turned off to save energy. Signal light on the START/PAUSE key will flash. The display will turn on again when you rotate the program selector dial or press any button. If no action is taken after the end of the program, the display will also be turned off after five minutes. Signal light on the START/PAUSE key will flash.

P_o = weighted power in 'off mode' [W]	0,00
P_I = weighted power in the 'left on mode' [W]	0,5
T_I = time in 'left on mode' [min]	10,0



As a result of low mains voltage or different laundry loads, drying time can change. This is regularly updated on the display.

6. STEP: PROGRAM START-UP

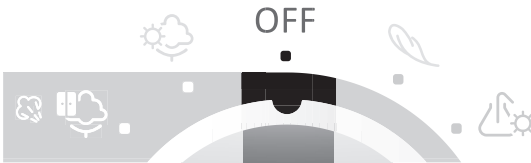
Press the START/PAUSE key.

Selected drying style and start delay (if selected), or the time remaining until the end of the program and counting down will be indicated on the display unit. Signal lights next to the selected functions will be lit.



7. STEP: END OF DRYING CYCLE

An acoustic signal will indicate the end of the drying cycle. Signal lights will light up and the light on the START/PAUSE key will flash.



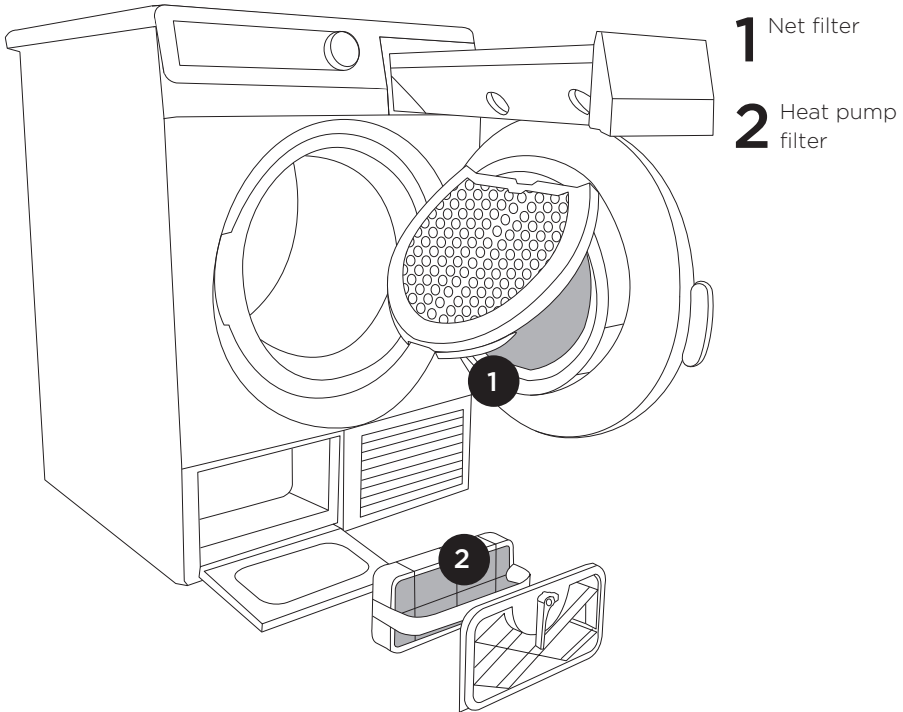
1. Open the dryer door.
2. Clean the filters (see section Cleaning ...).
3. Take the laundry from the drum.
4. Close the door!
5. Switch off the appliance (rotate the program selector dial to the "OFF" position).
6. Empty the condensate tank.
7. Unplug the power cord from the outlet.



Drying time indicated is based on tests according to the EN 61121 standard and it may change in steps during the drying process, depending on the load and initial moisture of the laundry.

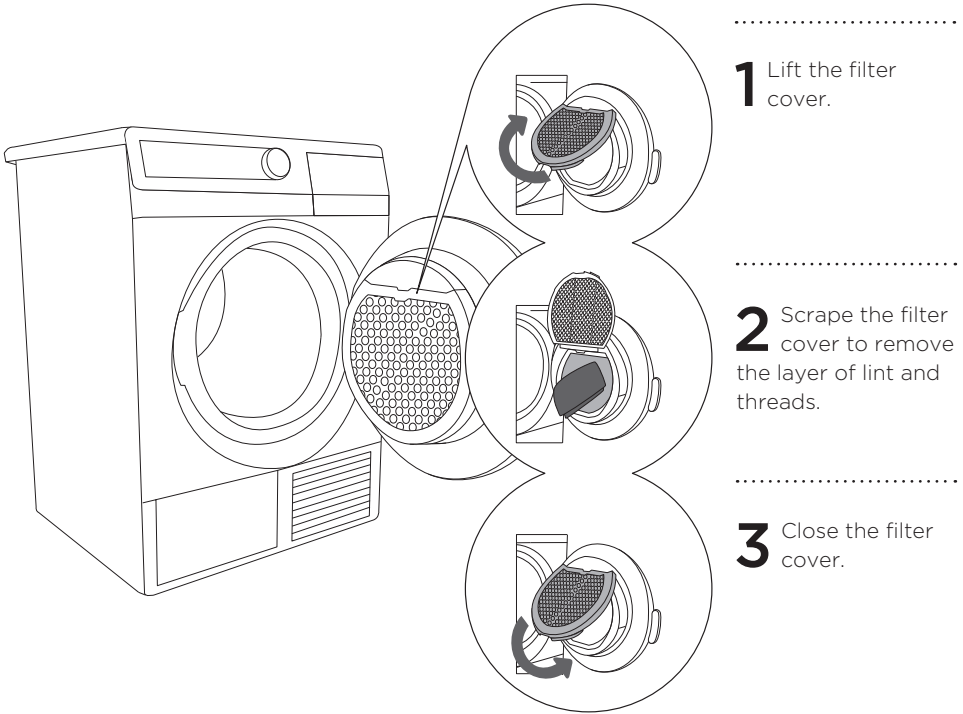
CLEANING AND MAINTENANCE

The dryer is fitted with a **filtering system** composed of several filters that prevent any impurity to enter the heat exchanger system.



The dryer should never be operated without the filters in place, or with damaged filters as excessive amount of accumulated fibres from the fabric could cause malfunction or failure of the dryer.

CLEANING THE NET FILTER IN THE DOOR



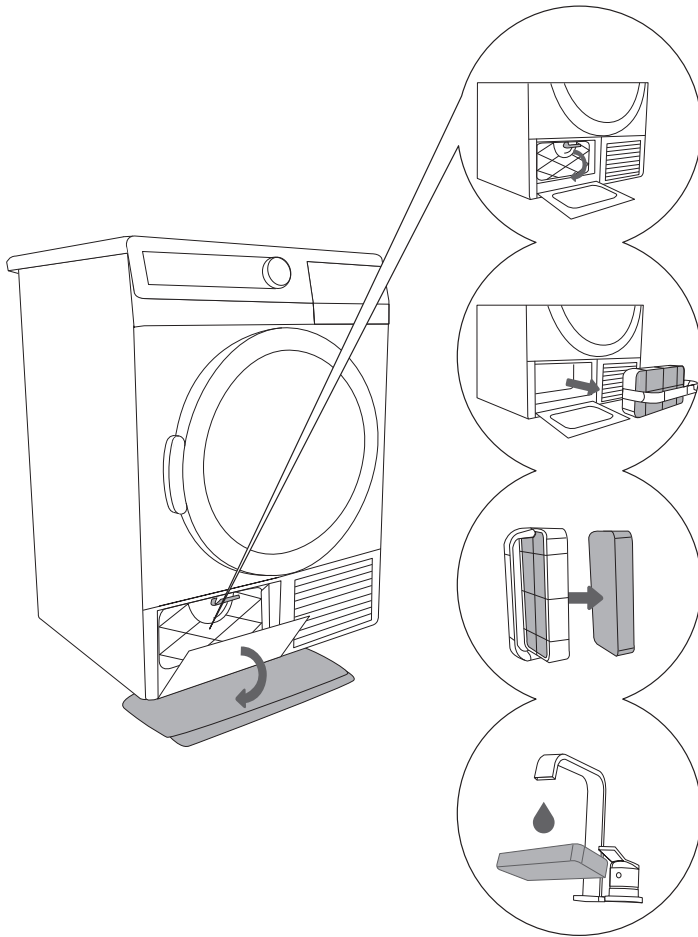
Close the filter cover in the door always carefully not to crush your fingers.

If necessary, clean the filter housing and door gasket as well.

Clean the net filter after each drying cycle.

CLEANING THE HEAT PUMP FILTER

Place an absorbent cloth on the floor in front of the dryer (possible water spill).



.....
1 Open the outer cover (hold the handle on the left side and pull downwards).
.....

.....
2 Use the handle to remove the heat pump foam filter.
.....

.....
3 Remove the heat pump foam filter from its handle. Use a damp cloth to clean the heat pump housing. Be careful not to damage the cooling system.
.....

.....
4 Wash the filter under running water. Dry the filter before replacing it.
.....



Insert the heat pump foam filter back (which is placed inside of dryer) (make sure the filter is inserted correctly into the support bed; otherwise, heat exchanger may be clogged).

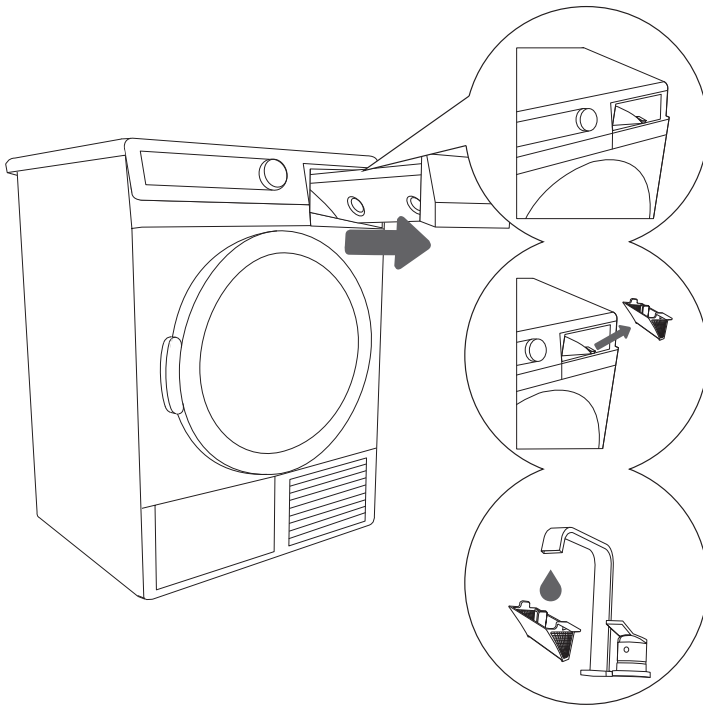
Close the exterior cover (push it upwards towards the appliance until it snaps back into place). Clean the foam filter at least after every five drying cycles.

CLEANING THE STEAM GENERATOR TANK FILTER

(MODEL WITH STEAM GENERATOR)

Each time you empty the condensate tank, clean the steam generator tank filter as well.

The filter is located in the tank housing (visible when the condensate tank is removed).



.....
1 Remove the condensate tank.

.....
2 Remove the filter from the support bed in the condensate tank housing.

.....
3 Clean the filter thoroughly under running water. If necessary, clean the filter support bed as well.

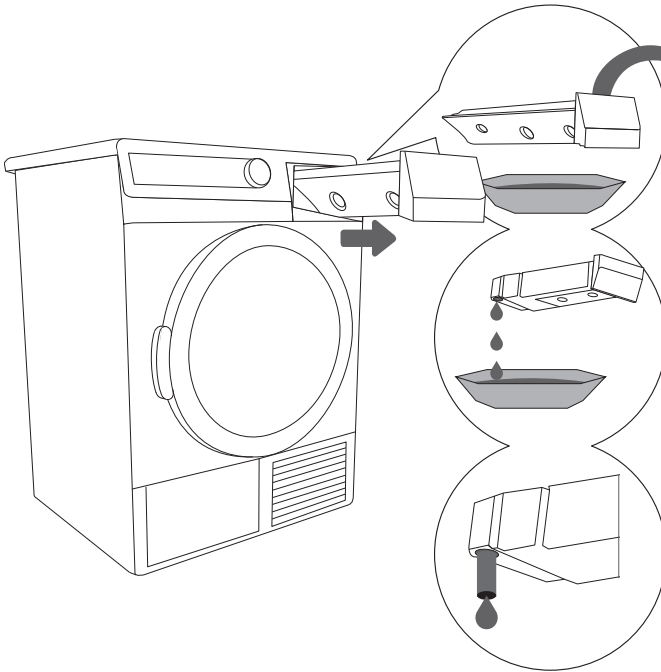


Make sure the remains of the fibres accumulated during operation do not enter the dryer as this may clog the system).

Insert the filter correctly back into the support bed (otherwise, the filter will not perform its function, which may result in clogging of the system)

EMPTYING THE CONDENSATE TANK

Empty the condensate tank after each drying cycle.



.....
1 Remove the condensate tank and turn it.

.....
2 Pour out the water and put the tank back to its place.

.....
(2) Pull out the spout for easier emptying (only some models).



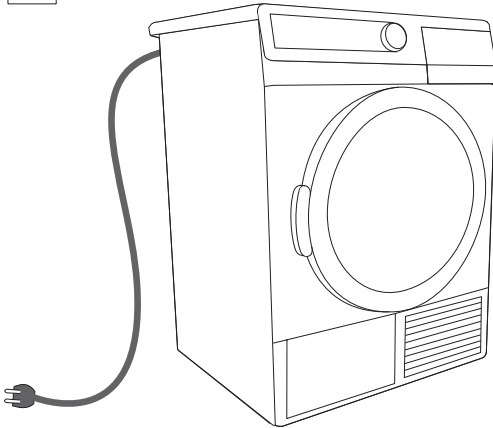
Water from the condensate tank is not potable. If thoroughly filtered, it can be used for ironing.

Never add any chemical means or scents or perfumes into the condensate tank.

Make sure you disconnect the appliance from the power mains before cleaning. Set the program selector dial to "OFF" position and unplug the power cord from the outlet.

CLEANING THE DRYER

Wipe the dryer exterior using a damp cloth and mild detergent. Do not use detergents or cleaners that could damage the dryer (heed the recommendations and warnings by the cleaner/detergent manufacturers). Use a soft cloth to wipe dry all parts of the dryer.



Always disconnect the dryer from the power mains before cleaning.

Additional equipment and facilities for maintenance can be seen on: www.gorenje.com

INTERRUPTING AND CHANGING THE PROGRAM

INTERRUPTIONS

Interrupting the program process

Press the START/PAUSE key to pause/resume and the program.

Open door

If the dryer door is opened during the drying process, the drying cycle will be interrupted.

When the door is closed and the START/PAUSE key is pressed, the drying will resume from the point at which it was interrupted.

Full condensate tank

When the condensate tank is full, the drying program will be interrupted (signal light 2b will flash).

Empty the condensate tank (see section Cleaning and Maintenance).

Press the START/PAUSE key to resume the drying cycle from the point at which it was interrupted.

Power supply failure

When power supply is resumed, the signal light on the START/PAUSE key will flash.

To resume the drying process, press the START/PAUSE key.

CHANGING THE PROGRAM/FUNCTIONS

Press the START/PAUSE key and rotate the program selector dial to the "OFF" position.

Select another program/function and press the START/PAUSE key again.

SAVING PERSONAL SETTINGS

Initial settings may be changed. When the program and additional functions are selected, you may store such combination by pressing the START/PAUSE key and holding it for five seconds.

A signal light on the START/PAUSE key and an acoustic signal will confirm your selection. "**SET CHD**" (settings changed) will appear briefly on the display; then, the selected setting will be displayed.

Press the START/PAUSE key to start the drying process.

The changed combination will appear every time you switch on the dryer.

Use the same procedure to change an already saved combination.

.....

WHAT TO DO...?

Disturbances from the environment (e.g. the power grid) may result in various error reports (see Table on the next page).

In such case:

- switch off the appliance and wait at least one minute;
- switch on the appliance and restart the drying program.
- If the error persists, call an authorized service unit.
- You will be able to solve most of the **problems** in dryer operation by yourself.
- **Repairs** may only be carried out by an adequately trained person.
- Repair or any warranty claim resulting from incorrect connection or use of the dryer shall not be covered by the warranty. In such cases, the costs of repair shall be charged to the user.



The warranty does not cover the errors or failures resulting from disturbances from the environment (lightning strike, power grid failures, natural disasters etc.).

Problem/error	Cause	What to do ...?
The dryer does not work.	<ul style="list-style-type: none"> No voltage in the power outlet 	<ul style="list-style-type: none"> Check if the power cord plug is correctly inserted into the power outlet. Check the fuse.
There is voltage in the outlet, but the drum does not spin and the dryer does not work.	<ul style="list-style-type: none"> Program was not started in accordance with the instructions. The door is not properly closed. Condensate tank is full. Delayed start function has been selected. 	<ul style="list-style-type: none"> Reread the instructions for use again. Push the door towards the appliance. Empty the condensate tank (see section Cleaning and Maintenance). Wait until the time indicated on the display elapses.
Laundry is not dried, or drying temperature is longer than 4h.	<ul style="list-style-type: none"> Filters are not clean. The room is not sufficiently ventilated. Inappropriate temperature in the room Laundry was not sufficiently wrung or spun. Amount of laundry dried in the appliance is too large or insufficient. 	<ul style="list-style-type: none"> Clean the filters. Install the dryer in an appropriate room (see section Installation ...) Check if the temperature in the room where the dryer is installed is too high (over 25°C) or too low (below 10°C). Laundry inserted into the dryer was not sufficiently wrung or spun, or an inappropriate drying program was selected. Use an appropriate program or use the timed program. Increase the final level of dryness for the selected program (intensive drying function).
Unevenly dried laundry.	<ul style="list-style-type: none"> The amount of laundry dried at a time is too large. Drying the pieces of different thicknesses Drying the different types of laundry 	<ul style="list-style-type: none"> Make sure the laundry is sorted by type and size of items given the selected program (see section Drying - Preparing the Laundry and the Program Table).
Error in the drum lighting.	<ul style="list-style-type: none"> There is no lighting when the dryer door is opened. 	<ul style="list-style-type: none"> Disconnect the dryer from the power mains and call an authorized service unit.
On display: F3	<ul style="list-style-type: none"> Full condensate tank If the condensate tank is empty, there is a pump failure. 	<ul style="list-style-type: none"> Empty the condensate tank (see section Cleaning and Maintenance). Disconnect the appliance and call the nearest service unit.
On display:F4	<ul style="list-style-type: none"> Clogged filters If the filters are clean, there may be a compressor failure. 	<ul style="list-style-type: none"> Clean the filters. Disconnect the appliance and call the nearest service unit.
On display:"LO"	<ul style="list-style-type: none"> Steam generator tank is empty 	<ul style="list-style-type: none"> Add distilled water

Write down the failure/error code: **F0**, **F1**, or **F2**, disconnect the appliance and call the nearest authorized service (call center).

.....

TIPS AND RECOMMENDATIONS FOR DRYING AND ECONOMIC USE OF YOUR DRYER

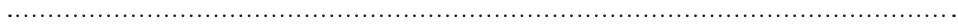
The most economical way of drying is to dry the recommended amount of laundry in each batch (see Program Table).

Drying laundry made of particularly delicate fabrics that may be deformed is not recommended.

Use of conditioner in the washing cycle is not necessary as the laundry is soft and smooth after drying in the dryer. Drying time will be shorter and power consumption will be lower if the garments are thoroughly wrung or spun before drying. By selecting the appropriate drying program, you will avoid overdrying your laundry and problems with ironing or shrinkage of fabric.

Regular cleaning of the filters will lead to optimum drying time and minimum power consumption.

When drying smaller amounts of laundry or individual garments, the sensor may not perceive the actual level of moisture in the laundry. In such cases, it is recommended to dry smaller items or amounts with programs for dryer laundry or with the timed program.



DISPOSAL

Packaging is made of environmentally friendly materials that can be recycled, disposed of, or destroyed without any hazard to the environment. To this end, packaging materials are labelled appropriately.



The **symbol** on the product or its packaging indicates that the product should not be treated as normal household waste. The product should be taken to an authorized collection center for waste electric and electronic equipment processing.

When **disposing** of an obsolete appliance, make sure you remove the power cord and destroy the door switch and latch to prevent the door from closing (children safety).

Disposing the product in the correct manner will help prevent any negative consequences and effects on the environment and human health which could occur in case of inappropriate product disposal. For detailed information on disposal and processing of the product, contact your relevant municipal authorities in charge of waste management, waste management service, or the store at which you bought the product.

We reserve the right to any changes and errors in the instructions for use.

SP10 EXCL HP 60Hz AU



en (05-18)