



Mounting instructions for refrigerating and freezing appliances are for qualified technicians only.

Appliance should be mounted and installed in compliance with these instructions, current standards and regulations.

Mounting instructions were prepared for various types/models of appliances, therefore they may describe some procedures that do not apply to your appliance.

## Mounting Dimensions and Required Air Circulation ...5

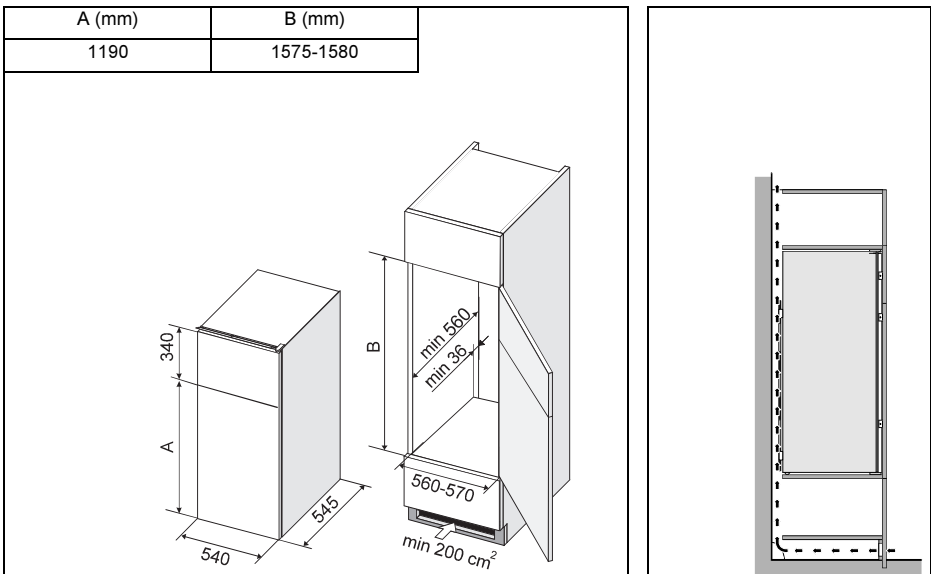
## Changing the direction of door opening Error! Bookmark not defined

## Mounting the Appliance.....7

# Mounting Dimensions and Required Air Circulation

The rear wall of the appliance is getting warm during the operation of the appliance and water is evaporating from the drain pan on the compressor. You must therefore provide for adequate air circulation on the rear of the appliance.

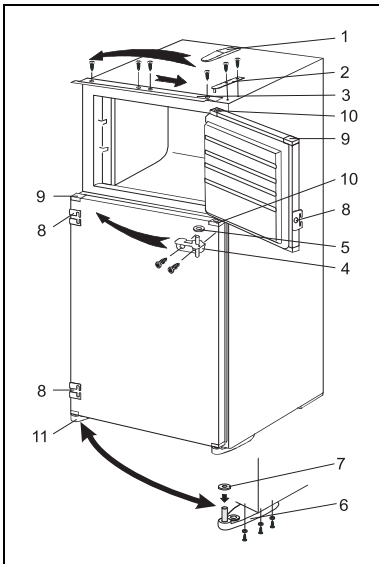
- At the base of the kitchen unit intended for building in the integrated appliance, there should be at least 200 cm<sup>2</sup> free space, for adequate air circulation.
- On the upper part of the appliance the air is coming out, so try not to cover the opening for the outflow air.



# Changing the direction of door opening

If the direction of door opening does not suit you, you may change it. The holes are already provided (and covered with plugs) on the opposite side of the housing.

- Remove the cap from the upper hinge (1), undo the hinge (2) and remove the freezer door (they only rest on the middle hinge without being firmly affixed to it) and the middle hinge washer (5).
- Unscrew the upper plate (3), move it to the opposite side of the appliance housing, and re-attach it.
- Undo the lower hinge (6) complete with the washer (7) and remove the refrigerator door.
- Then, undo the middle hinge (4).
- Remove all corner pieces (shields) and switch their positions (install the corner piece without the hole (9) to the position where the corner piece with the hole (10) was previously located and vice versa).
- Also, switch the position of the lower hinge (6) with washer (7), and foot (11). Install the lower hinge complete with washer to the spot where the foot was previously located and vice versa.
- Rest the refrigerator door on the lower hinge.
- Rotate the middle hinge by 180°, place it on the opposite side of the door and attach it. Slide the washer (5) onto it and replace the upper door.
- Screw in the upper hinge (2) and cover with the cap (1).
- Move the slider guides (8) to the opposite side of both doors.
- Use the plugs to cover the holes on the side where the hinges were previously installed.
- Lastly, check the fit of the magnetic gasket (the gasket should not be wrinkled and should provide a solid seal along the entire length. In case of poor fit, remove the seal and rotate it by 180°.
- In some models, door gasket cannot be replaced.
- If the gasket does not fit the appliance housing, heat it from a suitable distance (e.g. with a hair dryer) and stretch it to required height.



- 1 Upper hinge cap/cover
- 2 Upper hinge
- 3 Upper plate
- 4 Middle hinge
- 5 Middle hinge washer
- 6 Lower hinge
- 7 Lower hinge washer
- 8 Slider guide
- 9 Corner piece without hole
- 10 Corner piece with hole
- 11 Foot

# Mounting the Appliance

- Push the appliance for some 38 mm into the kitchen unit and allow at least 4 mm free space on both sides between the appliance and the side walls of the kitchen unit (Fig. 1).
- Widely open both the doors and put them together with the door of the kitchen unit. The procedure is as follows:
  - Fix the slide guides (attached in a plastic bag along with the screws ST 4,2 x 9,5) to the edge of the door. Cover the open holes with the attached cap.
  - Put together the appliance door and the door of the kitchen unit (Fig. 2).
  - Insert the slides into the guides and fix them on the kitchen unit door some 15 mm from the edge, using the A 4 x 12 screws (Fig. 3).
  - Remove the slide guides and separate the appliance door from the door of the kitchen unit.
  - Fix the slides and be careful not to move them while fixing (Fig. 4).
  - Fix the slide guides to the original position.
  - Close the door and check the gasket (it should not be creased). The door should open and close smoothly.
- Fix the appliance into the kitchen unit. On the upper side, fix the three screws A 4 x 12 through the rail and on the lower side with two screws A 4 x 16, through the lower hinges. Drill holes,  $\varnothing 3 \times 5$  (Fig. 5).
- Seal the gap on the opposite side of the hinge with the enclosed seal (Fig. 6).



## WARNING

Before mounting the appliance into the kitchen unit, disconnect the power supply and set the thermostat knob to **STOP (0)** position.

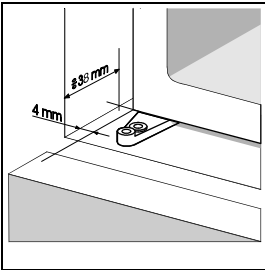


Fig. 1

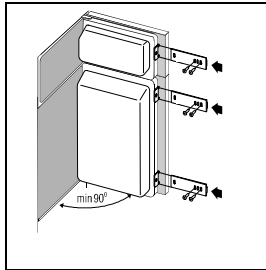


Fig. 2

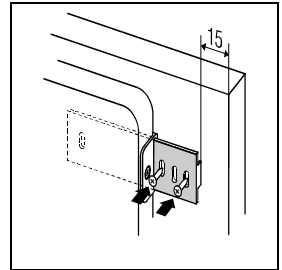


Fig. 3

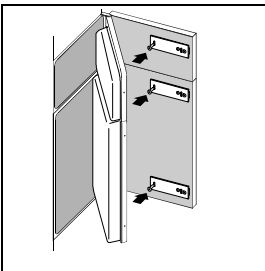


Fig. 4

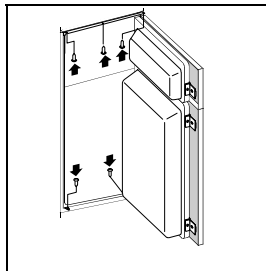


Fig. 5

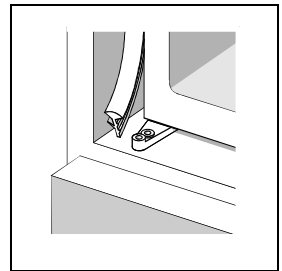


Fig. 6