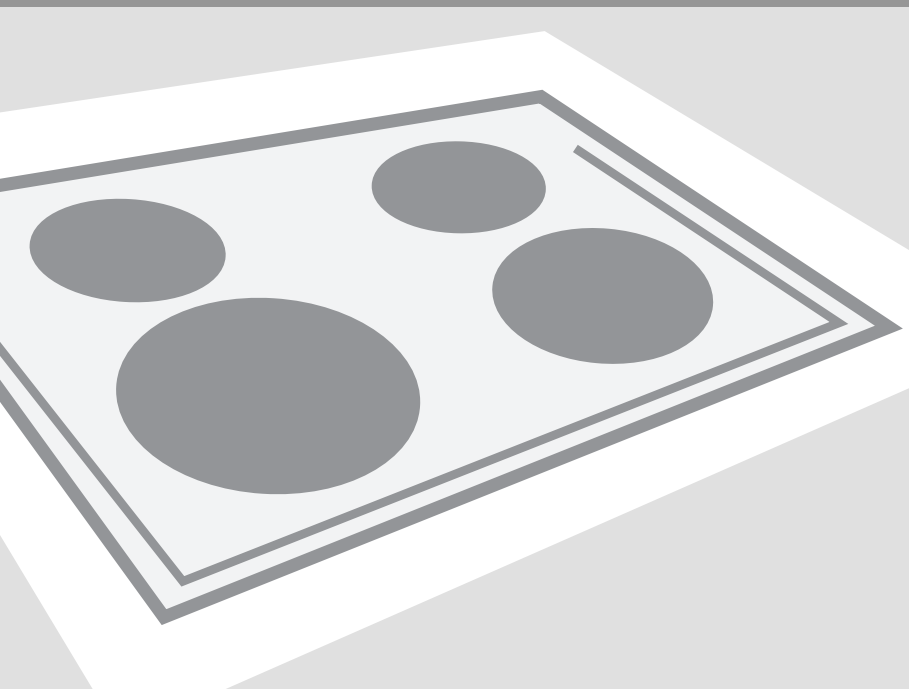


MT **IE** **GB**

Instructions for use, installation, and connection



Combined and gas built-in cooking hob

Combined and gas built-in cooking hob

Dear customer!



Combined and gas built-in hob is intended for use in households.

Our products are packed in environment-friendly materials which can be recycled, disposed of, or destroyed without imposing any burden on the environment.

Instructions for use

Instructions for use are intended for the user. They describe the appliance and its operation. The instructions apply to various types of appliances and may therefore include description of functions that may not be available on your appliance.

These instructions are only valid of the country symbol is indicated on the appliance. If there is NO county symbol in the appliance, technical instructions should be observed for adapting the appliance to comply with the requirements and regulations for use in your country.

Instructions for connection

The appliance must be connected in compliance with the instructions attached to it, as well as in compliance with relevant regulations and standards. The connection may only be performed by a qualified person.

Rating plate

The rating plate indicating the basic information on the appliance is attached to the lower side of the hob.

Important warnings	3
Appliance description	4
Cooking zones	6
Operating the electric cooking zones.....	8
Operating the gas burners.....	9
Cleaning and maintenance	10
Special warnings and fault reporting	11
Installation.....	12
Connecting the appliance to the power mains.....	15
Connecting the cooking hob to the gas supply	16
Nozzle table	19
Technical characteristics.....	20

Important warnings

- Installation of the appliance into a kitchen worktop and its connection to the power mains and the gas supply may only be performed by an adequately qualified technician.
- When the appliance is in use, additional heat and moisture are emitted into the room. When the appliance is used for a prolonged period of time at a high performance level, intensive ventilation or use of kitchen hood may be required in the room where the appliance is installed.
- Do not use the gas burners, if the flame seems unstable.
- If you smell gas in the room, immediately close the gas supply valve either on the gas bottle or gas pipeline, extinguish all sources of open fire (including cigarettes), aerate the room, do not turn on any electric appliances, and call a natural gas expert.
- The main gas supply valve should also be closed if gas burners will be out of use for a long period of time (e.g. when going on holiday).
- Do not leave small children unattended when the appliance is in operation. Risk of burning and scalding!
- During cooking, the overheated fat or oil on the hob may ignite. There is a risk of burning and fire; therefore, control the cooking process at all times.
- Do not use the cooking hob for room heating. Do not place empty pans on the hob.
- Make sure that the parts of the burners are correctly positioned / installed.
- In case of a failure of the appliance, immediately disconnect the appliance from the power mains and contact the service center.
- Do not use steam cleaners or high-pressure cleaners to clean the cooking hob, as this may result in an electric shock.
- The appliance is manufactured in compliance with the relevant effective safety standards. Nevertheless, we strongly recommend that persons with impaired physical, motoric, or mental capacity, or persons with inadequate experience or knowledge, do not use the appliance unless attended by a qualified person. The same recommendation applies when the appliance is used by persons of less-than-legal age.
- After a prolonged use of cast iron plates, the area of the plate and the edge of the cooking zone may discolour. Repair service is not covered by the warranty.
- Caution: Using a gas appliance for cooking results in generation of heat, humidity, and combustion products in the room where the appliance is installed. Please make sure the kitchen is well ventilated, especially during the use of appliance. Make sure the natural ventilation openings are open, or install a mechanical ventilation device (ventilation hood).
- Caution: The appliance is intended exclusively for cooking. The appliance may not be used for any other purpose such as heating of spaces.



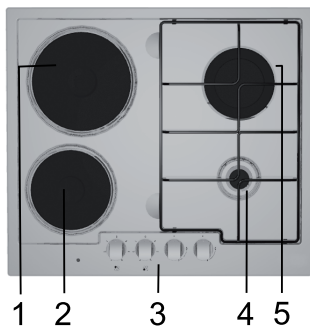
The symbol on the product or on its packaging indicates that this product may not be treated as household waste. Instead it shall be handed over to the applicable collection point for the recycling of electrical and electronic equipment. By ensuring this product is disposed of correctly, you will help prevent potential negative consequences for the environment and human health, which could otherwise be caused by inappropriate waste handling of this product. For more detailed information about recycling of this product, please contact your local city office, your household waste disposal service or the shop where you purchased the product.

Appliance description

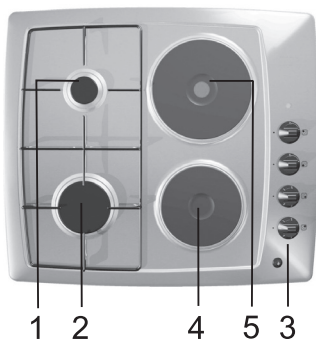
(equipment - depending on the model)

Upper side of a combined cooker with gas and electric cooking zones

Type KVK4...

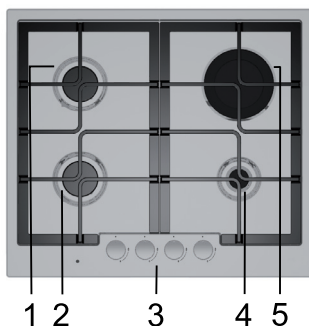


Type KVK6...

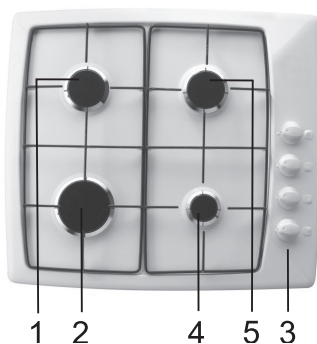


Upper side of a combined cooker with gas cooking zones

Type PVK4...



Type PVK6...



1. Cooking zone rear left
2. Cooking zone front left
3. Control knobs
4. Cooking zone front right
5. Cooking zone rear right


Control knob

(depending on the model)

Electric

	1- 6	power levels
---	-------------	--------------

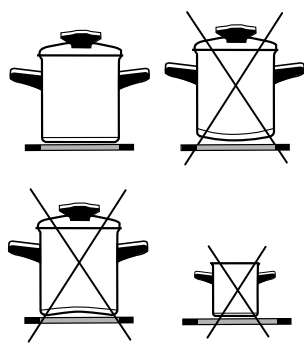
Gas

	●	gas valve is closed
	🔥	maximum power
	🔥	minimum power

Before using the appliance for the first time

Important warnings

Cookware



A) Electric cooking zones

Turn on the cooking zones for 3 to 5 minutes and select the maximum power level; some fumes may be discharged from the hob. This way, the protective cover on the cooking hob will reach its maximum solidness.

- Do not turn on a cooking zone without a pan over it, and never use the cooking hob for room heating!
- Make sure the cooking zones and pan bottom are clean and dry, and that sufficient heat transmission is enabled between them, in order to prevent any damage to the heating surface.
- Any fat or oil left on the cooking ones may ignite. Therefore, be careful when using fat and oil to prepare food (e.g. French fries).
- Do not place a damp pan or a steam-covered lid on the cooking zones, as moisture is detrimental to them.
- Do not leave a hot pan to cool down on the cooking zones, because moisture will be generated under it, causing corrosion.

Tips for using the cookware

Use high-quality cookware with a flat and stable bottom.

- Transmission of heat is best when the pan bottom and the cooking zone are of the same diameter, and the pan is placed on the middle of the cooking zone.
- When using a tempered glass (Pyrex) or porcelain cookware, please follow the cookware manufacturer's instructions.
- When using a pressure cooker, do not leave it unattended until the desired pressure is reached. The cooking zone should initially be set to the maximum power level; as the pressure rises, use the sensors to decrease the power level according to the pressure cooker manufacturer's instructions.
- Make sure there is always enough water, either in a pressure cooker or in any other piece of cookware, as using an empty pan on the cooking hob will result in overheating which will damage both the pan and the cooking zone.
- Tempered glass (Pyrex) cookware with a specially brushed bottom is suitable for use on cooking hobs if it fits the diameter of the cooking zone. Cookware with larger diameter may break due to thermal stress.
- When using any special or unconventional cookware, follow the cookware manufacturer's instructions.

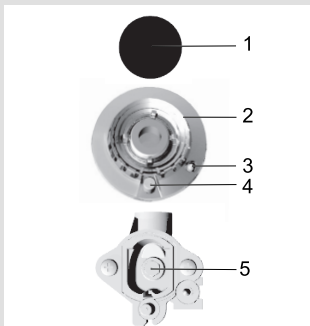
Energy saving

- Pan bottom diameters should match the diameter of the cooking zone. If the pan is too small, some heat is wasted; furthermore, using a too small pan can damage the cooking zone.
- Whenever possible given the cooking process, use a lid.
- The pan should be appropriately sized given the quantity of food prepared. Preparing a small quantity of food in a large pan will cause a waste of energy.
- Dishes that take a long time to cook should be prepared in a pressure cooker.
- Various vegetables, potatoes, etc., can be cooked in a small quantity of water; however, the lid should be closed tightly. When the water is brought to boil, reduce the power level to a setting that maintains a temperature just above boiling point.

B) Gas cooking zones

- If you wish to quickly fry some food, set the gas burner to the maximum power initially and reduce the power as your continue.
- **In all models, the cooker burners are fitted with thermoelectric safety devices. If the burner flame is extinguished (due to boiling over, draft etc.), gas supply will be shut off automatically. Any chance of gas leaking into the room is eliminated.**
- Gas burner cover should always be placed very carefully on the burner crown. Make sure the slots on the burner crown are never obstructed.

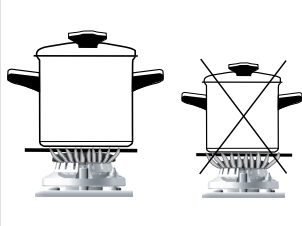
Important warnings



- 1 Burner crown cover
- 2 Burner crown with the support for the burner cover
- 3 Thermo-element
- 4 Spark plug
- 5 Nozzle

Cookware

- Correctly selected cookware will enable optimum cooking time and gas consumption. Pan diameter is the most important parameter.
- Flames that reach over the edge of a pan that is too small, can damage the cookware; furthermore, gas consumption is higher in such cases.
- For combustion, the gas also needs air. If a pan is too large, air supply to the burner is insufficient; as a result, combustion effect is lesser.

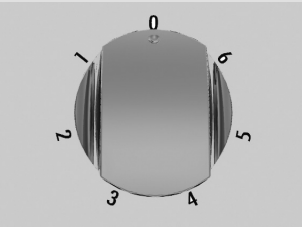


Grid extension (only available with some models)

Use the extension when using a pan of a smaller diameter. Place the extension on the grid above the auxiliary burner.

Burner type	Pan diameter
Large (3.0kW)	220-260 mm
Normal(1.9kW)	160-200 mm
Auxiliary (1.0kW)	120-140 mm
Triple (3.5kW)	220-260 mm

Operating the electric cooking zones

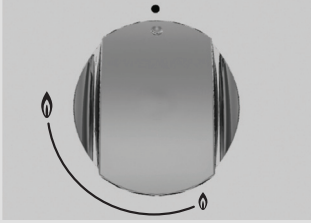


- Operate the cooking zones using the knobs, built into the control panels.
- When at least one cooking zone is turned on, the yellow LED is lit up.
- Power levels are indicated with the numbers from 1 to 6 on the control knobs. The respective levels are selected stepwise. The step knobs can be rotated in both directions.
- The cooking zone may be turned off three to five minutes before the end of cooking in order to make use of the residual heat and save some energy (the following table lists some examples for using individual power levels).

S	
0	Cooking zone turned off
1	Maintaining the temperature and reheating of smaller quantities of food
2	Reheating
3	Reheating or longer cooking of larger quantities
4	Consecutive cooking / frying (e.g. omelets etc.)
5	Deep frying
6	Quick heating

Operating the gas burners

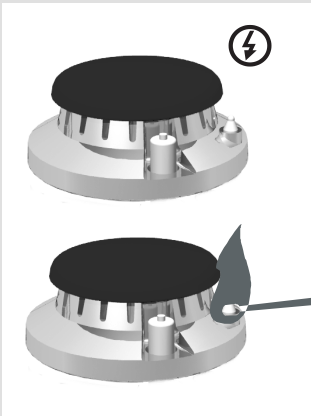
Ignition and operation of the burners



Models with two gas burners:

- Operate the gas burners using the knobs on the hob. Power levels are indicated on the knobs by large and small flame symbols (see section Appliance description).
- Rotate the knob through the large flame position (🔥) to the small flame position (🔥) and back. Operation interval lies between the two flame symbols.
- Gas burners can be ignited using the electric spark plug built into each gas burner (only available with some models).

⚠ Before rotating the knob, it should first be depressed.



Single-handed ignition

- In order to ignite the gas burner, press the selected burner control knob and rotate it to the maximum power (flame) position. An electric spark will be generated automatically, igniting the releasing gas.
- If the electric ignition should not work due to a power failure or damp spark plugs, the gas can also be ignited using a match or a gas lighter. After igniting the gas, keep the control knob pressed for another ten seconds, until the flame settles.
- The flame can then be set between the maximum and minimum level. Any setting between (🔥) and (●) is not recommended, as the flame is not stable in this interval and may be extinguished.

⚠ If the burner hasn't ignited after the knob has been depressed for fifteen seconds, close the burner and wait at least one minute. Then, repeat the ignition process.

⚠ If the burner flame is extinguished (for any reason), close the burner and wait at least one minute before attempting to re-ignite it.

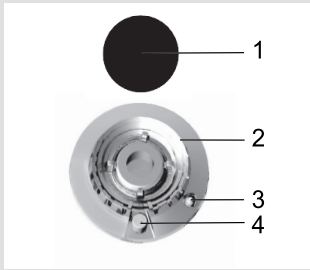
- To extinguish the flame and close the burner gas supply, rotate the control knob to the right, to the 'OFF' position (●).

Cleaning and maintenance

Clean the appliance using warm water, liquid detergent, and a soft cloth.

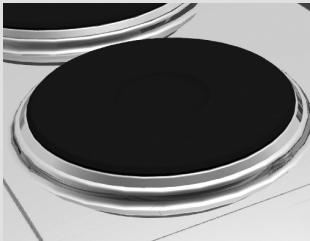
Do not use any abrasive or sharp utensils or other objects. Burnt or dried food residues should be moistened using a damp cloth and softened with appropriate detergent.

Stainless steel parts should be cleaned using special-purpose detergents. Use a dry, highly-absorbent cloth to apply a thin layer of detergent on a dry and cool surface, and rub gently in the direction of surface treatment pattern. Use a damp cloth and a detergent to clean stubborn stains; then, use a dry cloth to achieve to polish the surface until glossy. Do not use the same (stainless steel) detergents to clean aluminum parts.



- 1 Burner crown cover
- 2 Burner crown
- 3 Thermo-element (only with protected burners, available only in some models)
- 4 Ignition plug

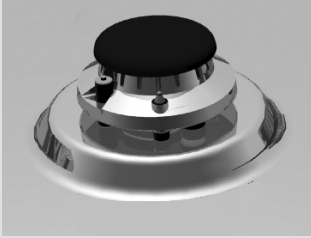
Hotplates



- Use warm water with some dishwashing detergent to clean the **area around the cooking rings (or hotplates)**. Before doing so, use a sponge to soften any stubborn residues.
- **All dirty cooking zones** should be cleaned thoroughly immediately after use. If the cooking zones are less stained, it suffices to wipe them with a damp cloth soaked in water and some detergent. If the hotplate is heavily soiled, use a steel sponge (wire scrubber) soaked with detergent. After cleaning, the cooking zones should always be wiped dry.
- Salt-containing liquids, dishes that have boiled over, or moisture, can damage the cooking zones. Therefore, always wipe the cooking zones clean and dry.
- To **condition the cooking zones**, occasionally use some sewing machine oil, or conventional products for cleaning and care, available in the market. Never use butter, bacon / lard, or similar substance (risk of corrosion). If the cooking zone is slightly warm, the detergent will penetrate the pores more quickly.
- **Hotplate rings are made of stainless steel**; due to thermal load during cooking, they may discolor slightly to yellow. This phenomenon is a result of physical processes. Yellow spots can be restored by conventional metal cleaning detergents.

Do not use aggressive utensils for cleaning the dishes, as these will scratch the rings.

Gas cooking zones



To clean the grid, cooking hob surface, and parts of the burner, use hot water with some dishwashing detergent. Clean the thermo-element and the spark plug with a soft brush. These parts must be kept impeccably clean, as only then will they operate correctly. Clean the crown and the burner cover. Be particularly careful to keep all exit slots on the crown clean and unobstructed. After cleaning, dry all parts thoroughly and replace or reassemble them correctly. **Parts that are placed askew will make lighting the burners more difficult.**

Warning: Burner covers are coated in black enamel. Due to high temperatures, discoloration is unavoidable; however, this will not affect the operation of the burners.

Special warnings and fault reporting

During the warranty period, only a service center authorized by the manufacturer may carry out any repairs.

Before making any repairs, make sure the appliance is disconnected from the power mains either by removing the fuse or by disconnecting the power plug from the wall outlet.

Unauthorized tampering with and repairs of the kitchen range (cooking hob) can result in electric shock or short circuit; hence, do not attempt to perform any repairs by yourselves. Leave such tasks to an expert or an authorized service unit.

In case of minor faults or problems with the appliance operation, check the following instructions to see whether you can eliminate the causes by yourselves.

Important

A visit by a service technician during the warranty period will be charged if the appliance is not functioning because of improper use. Store these instructions in a place where they are always readily accessible; if pass the appliance on to another person, the instructions should also be included.

Following is some advice on rectifying some common problems.

What happened...?	Possible cause	What to do?
The burners will not burn The flame is uneven / unstable	Flame is uneven due to a wrong gas power setting.	Have an expert check the gas pipeline!
The flame from the burners suddenly changes	Wrongly assembled parts of the kitchen hob	Assemble the burner correctly.
Burner ignition takes more time	Wrongly assembled parts of the kitchen hob	Assemble the burner correctly.
The flame is extinguished shortly after ignition	Knob pressed too short or too weakly.	Keep the knob depressed for a longer period of time. Before releasing it, press it harder.
The grid has discolored in the burner area?	This is a commonplace phenomenon resulting from high temperature	Clean the grid with a metal care detergent.
Electric power supply in general is interrupted?	The fuse may be blown.	Check the fuse in the fuse box and replace it if it is blown.
Electric ignition of the burners no longer works?	There are food or detergent residues between the spark plug and the burner.	Open and carefully clean the opening between the spark plug and the burner.
If the burner cover looks unappealing...	Regular dirt	Clean the burner covers with a metal care detergent.

If the problem persists despite observing the instructions above, call an authorized service technician. Elimination of any errors or warranty claims that resulted from improper connection or use of the appliance is not covered by our warranty. In such cases, the costs of repair are borne by the user.

Installation

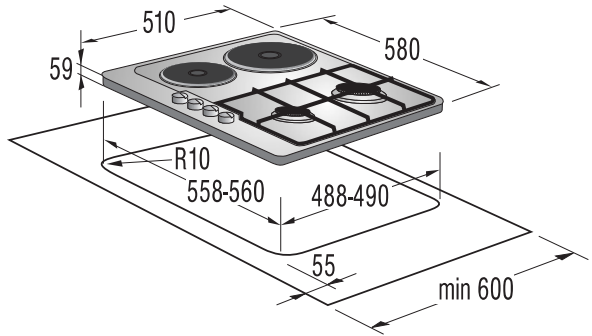
Important warnings

- Installation of the appliance into a kitchen worktop and its connection to the power mains may only be performed by an adequately qualified technician.
- Veneer or other finish of the piece of kitchen furniture into which the hob is to be built in should be treated with heat resistant glue (100°C); otherwise, the worktop finish may be discolored or deformed.
- Cooking hob is dimensioned to be built into the worktop over a piece of kitchen furniture, with a width of 600 mm or more.
- After installation, the front two fastening elements should be freely accessible from below.
- The kitchen furniture element underneath the hob should not be fitted with a drawer. If the kitchen furniture element as a horizontal partition wall, it should be installed no less than 10 centimeters from the lower surface of the worktop. The space between the partition wall and the hob must be empty; no objects should be placed into that gap.
- Hanging, or wall-mounted kitchen elements should be installed high enough not to interfere with the work process.
- The distance between the cooking hob and the kitchen hood should be no less than indicated in the instructions for kitchen hood installation. The minimum distance is 650 mm.

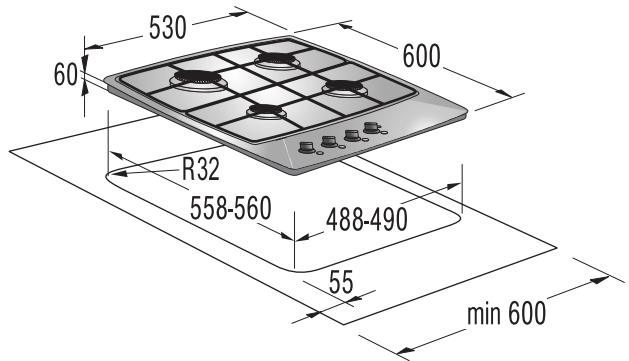
- The distance between the appliance edge and the adjacent tall kitchen furniture element should amount to no less than 100 mm.
- Use of massive wood decoration plates or boards on the worktops behind the cooking hob is permitted, if the minimum distance remains the same as indicated in the installation drawings.
- Minimum distance between the built-in cooking hob and the rear wall is indicated on the installation drawing.
- Cooking hobs can be installed into worktops that are 30 to 50 mm thick.

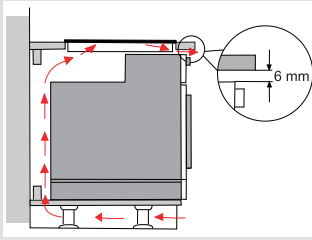
Kitchen worktop cutoff dimensions

Type KVK4..., PVK4...



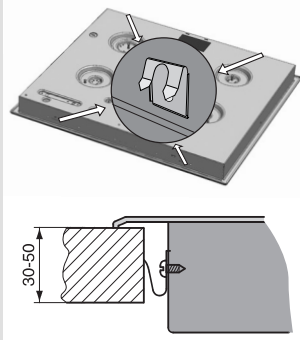
Type KVK6..., PVK6...



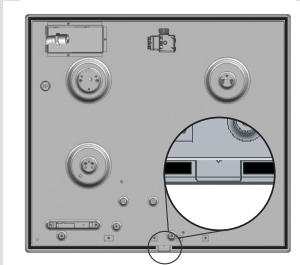


- Only type EVP4, EVP2..., ovens fitted with a cooling fan may be installed underneath this cooking hob.
- Before installing an oven, the rear wall of the kitchen furniture element should be removed in the area of the cooking hob cutout. Furthermore, a gap of at least 6 mm should be left at the front side.

Installation procedure

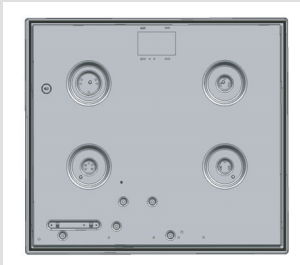


- The worktop should be installed completely horizontally.
- The cutoff surfaces should be appropriately protected.
- Attach the fastening elements (4) with the supplied screws (4) to the front and rear wall of the cooking hob and the worktop cutoff.
- Connect the cooking hob to the power mains and gas supply (see instructions for connecting a cooking hob on a power network and gas supply).
- For screwing down the fixing clip it is not allowed to use screws longer than 6,5 mm.



Type KVK4..., PVK4..

- Attach the supplied adhesive seal on the lower edge of the cooking hob (do not glue the gasket over the front support bracket).



Type KVK6..., PVK6..

- Attach the supplied adhesive seal on the lower edge of the cooking hob.
- Insert the cooking hob into the cutoff and press it heavily from above towards the worktop.

Connecting the appliance to the power mains

Important warnings

- The appliance may only be connected by an authorized skilled technician.
- Electric system protection should comply with all relevant regulations.
- The connection clips can be accessed when the connection clip covers are opened / removed.
- Before connecting the appliance, make sure the voltage indicated on the rating plate is consistent with the voltage in your home circuit.
- The rating plate with basic information is attached on the lower side of the hob.
- The electric circuit should also include an omnipolar switch that will separate the appliance from the mains, if required, with at least 3 mm of distance between contacts. Suitable devices include fuses, current protection switches, etc.
- The connection should be selected according to the installation possibilities with regard to current and fuses.
- Given the protection from the risk of fire, appliances of this type may be installed in a worktop next to a piece of kitchen furniture that is taller than the appliance (when installed); however, in this case, a kitchen furniture element must be installed on the other side, adjacent to the appliance.
- The current conducting and isolated parts must be protected from any possibility of direct contact.

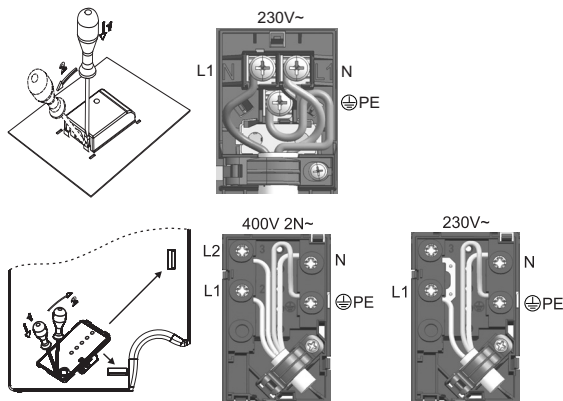
WARNING!

- Before any intervention, disconnect the appliance from the power mains. Connect the appliance in compliance with the electric connections diagram supplied; make sure the relevant network voltage is observed! The ground wire (PE) should be connected to the clip indicated by the earthing symbol.
- The mains cable should be fed through the fastening clip which protects it from being accidentally pulled out.
- After connecting the appliance, turn on all cooking zones / heaters for approximately three minutes to make sure they are operating correctly.

Connection diagram

“ The appliances are suitable for photovoltaic electrical power under the condition that electrical voltage will be 220VAC - 240VAC with semi tonic frequency 50Hz in order the appliance to operate properly (alternative a generator can be used with the same technical characteristic).”

- Incorrect connection may destroy parts of the appliance, making the warranty void.
- Before connecting the appliance, make sure the voltage indicated on the rating plate is consistent with the voltage in your home network. Connection voltage (230 V through N) should be checked by a qualified technician using a corresponding measuring device!
- Connection cable on the back of the appliance should be led in such way that it does not touch the appliance back wall, as this part will get very hot during operation.



NOTE:

Connection bridges are already installed on their respective places on the clip. Screws of the connection terminals are open, which means they do not have to be unfastened or unscrewed any further. When fastening the screws, you may hear a slight 'click', which means that the screws should be fastened / screwed in completely.

The following can be used for connection:

- Type H05 RR-F 4x1.5 rubber connection cables with a green-yellow protective wire,
- Type H05 VV-F 4x1,5 PCV isolated connection cables with yellow-green protective wire, or other equivalent or superior grade cables.

Connecting the cooking hob to the gas supply

Important warnings

- The appliance must be connected in compliance with all relevant regulations, and it may only be used in well ventilated / aerated rooms. Before connecting or using the appliance, please read the instruction manual.
- Before installing and connecting, make sure the local natural gas supply network and connection (type of gas and pressure), are compatible with your appliance version.
- The version of this appliance is indicated on the rating plate.
- This appliance is not suitable for connection to a burning fumes exhaust system (i.e. a chimney). The appliance must be installed and connected in compliance with the relevant effective installation regulations. Special care must be taken to ensure adequate ventilation / aeration.

Connection

- When connecting the appliance to the gas supply, follow the regulations of the local gas distributor.

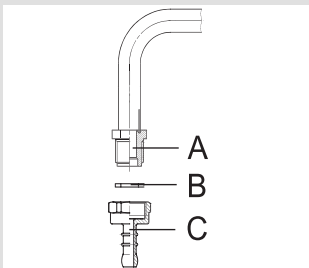
- On the lower side, the cooking hob is fitted with a gas connection plug with a EN ISO 10226-1 / -2 or EN ISO 228-1 (Depending on the country-specific connection regulations.) thread.
- Also supplied with the appliance is an adapter for liquid gas and a non-metal gasket.
- When connecting, the knee R ½ should be held firmly to prevent it from rotating.
- For sealing of the connection joints, use a non-metal approved gaskets and approved sealants.
- The gaskets should only be used once. The thickness of the flat non-metal gaskets should not be deformed more than by 25 percent.
- To connect the appliance to the gas supply, use a tested and certified flexible hose.
- The flexible connection hose should be able to move freely. It should not come into contact with the movable parts of the kitchen furniture (e.g. a drawer), or the bottom of the cooking hob.
- If an electric oven is built into the kitchen element under the cooking hob, it should be fitted with a cooling fan, and the connection should be made using a pipe completely made of metal (e.g. a stainless steel flexible pipe).



After connecting the gas hob, check the joints for any leaks.

Gas supply connection plug

- A** EN ISO 10226-1 / -2 or EN ISO 228-1 (Depending on the country-specific connection regulations.) connection plug
- B** Non-metal gasket with thickness of 2 mm
- C** Pipe adapter for liquid gas (Depending on the country-specific connection regulations.)



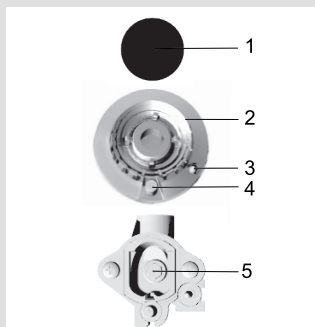
After the connection, check the burners for correct operation. The flames must be clearly visible, and should be blue and green at the center. If the flame is unstable, increase the minimum power. Explain the use of the burners to the user and read the instructions for use together.

Adaptation to a different type of gas

- The procedure or adaptation of the cooker to another type of gas does not require removal of the appliance from the worktop.
- Before adapting, disconnect the appliance from the power mains and close the gas supply valve.
- Replace the existing nozzles for nominal thermal load with corresponding nozzles for the new gas type (see table below).
- When adapting the appliance to liquid gas, fasten the

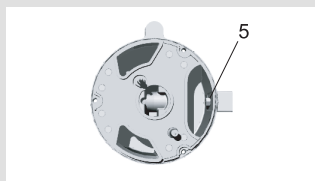
regulation screw for minimum thermal load as far as it will go, in order to attain minimum thermal load.

- When adapting the appliance to natural gas, release the minimum thermal load regulation screw in order to attain minimum thermal load, but do not rotate it by more than 1.5 turns.



Cooker burner

- 1 Burner crown cover
- 2 Burner crown with cover support
- 3 Thermo-element
- 4 Spark plug
- 5 Nozzle



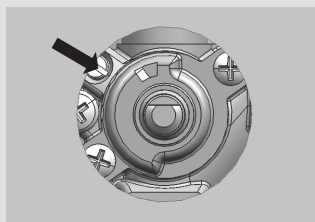
Triple burner

- 5 Nozzle

Adjustment elements

To leave the adjustment elements accessible, please observe the following instructions:

- Remove the support grid and burner covers with respective crowns.
- In double burners, adjustment elements are accessible behind the main nozzle protective plate.
- Remove the control knobs, including the gaskets.



Gas valve

Minimum thermal load regulation valve

Nozzle table

gas type, pressure	Wobe Number	Auxiliary burner				Normal burner		large burner		Triple burner	
		Standard		Quick		max	min	max	min	max	min
		max	min	max	min						
Natural gas H Wo=45,7+ 54,7 MJ/m ³ , Natural gas E, Natural gas E+ Wo=40,9+54,7 MJ/m ³ G20, p=20mbar	Nom. therm. load (kW)	1	0,6	1	0,6	1,90	0,46	3	0,76	3,5	1,56
	Consumption (l/h)	95,21	34,4	95,21	34,4	180,9	43,8	285,64	72,4	333,2	148,5
	Nozzle type (1/100mm)	77	-	78	-	104	-	129	-	140	•
	Nozzle code	162081		162082		162083		162084		162085	
Liquid gas 3B/P Wo=72,9+87,3MJ/m ³ G30 p=30 mbar	Nom. therm. load (kW)	1	0,36	1	0,36	1,90	0,46	3	0,76	3,5	1,56
	Consumption (l/h)	71,7	26,2	71,7	26,2	138,1	33,4	215,0	55,3	254,5	113,4
	Nozzle type (1/100mm)	50	24	50	24	69	26	87	33	93	57
	Nozzle code	162162		162162		162164		162165		162166	

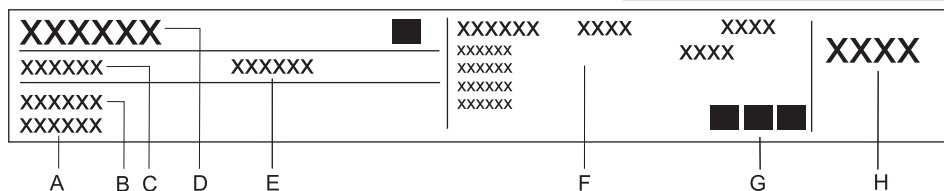
- Regulation valves that are factory-built-in are intended for liquid gas; however, the valves are set for operation with the type of gas for which the appliance is factory-preset.
- When adapting the appliance for use with another type of gas, the regulation screw (valve) should be fastened or release to correspond with the required gas flow / throughput (however, the regulation screw should not be released more than by 1.5 rounds from the position in which it is completely fastened).

Burner power is indicated by observing the upper Hs calorific value.

Warning: these tasks may only be carried out by a qualified technician, authorized by the gas distributing company or authorized service center!

Technical characteristics

Rating plate



- A** Serial number
- B** Model
- C** Type
- D** Trademark
- E** Code
- F** Technical information
- G** Compliance indications / symbols
- H** Factory settings for gas type

WE RESERVE THE RIGHT TO MAKE ANY CHANGES
THAT DO NOT AFFECT THE FUNCTIONALITY OF THE
APPLIANCE.

